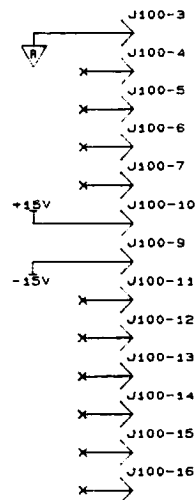
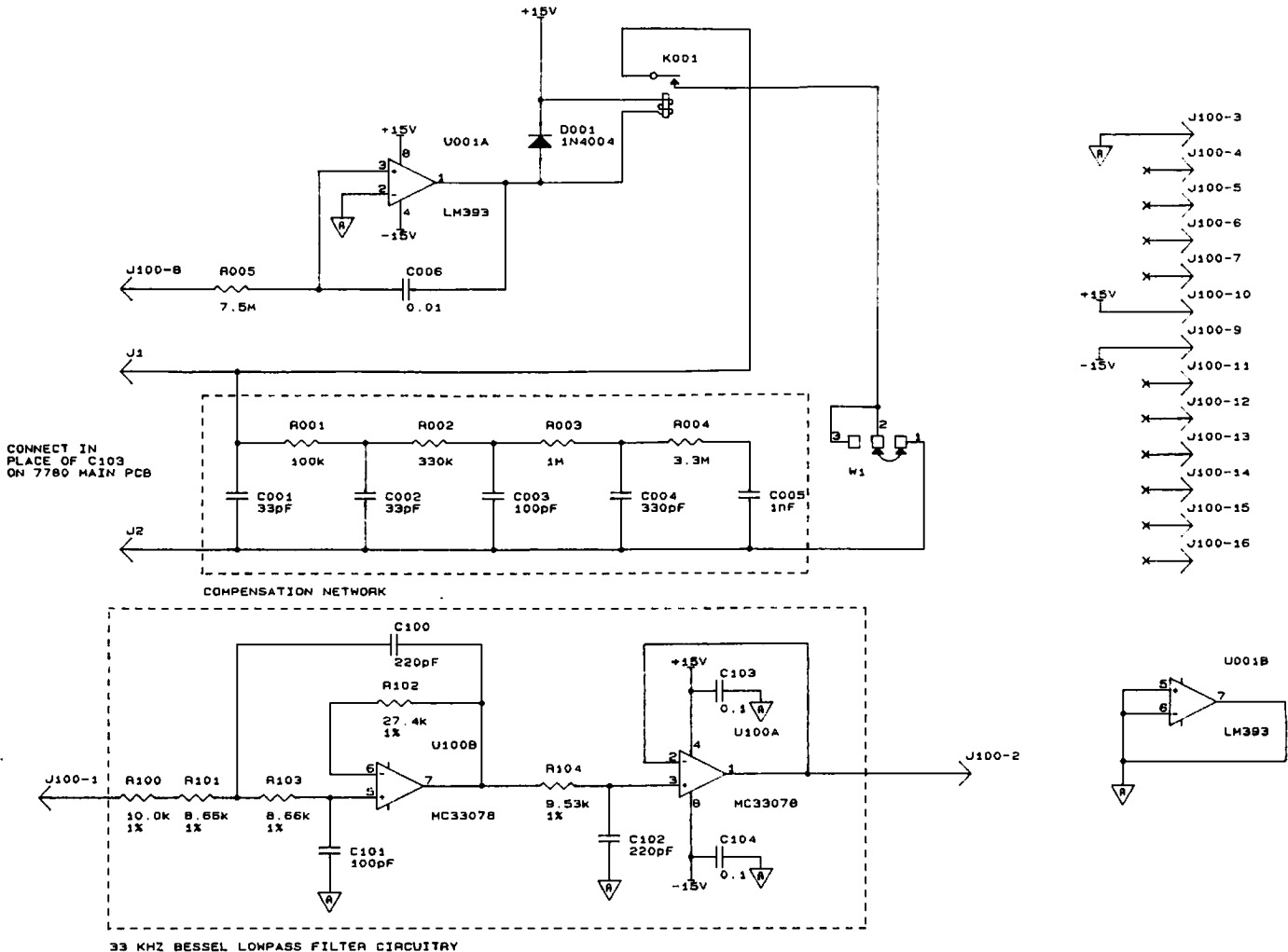


# ADD-ON Schematic



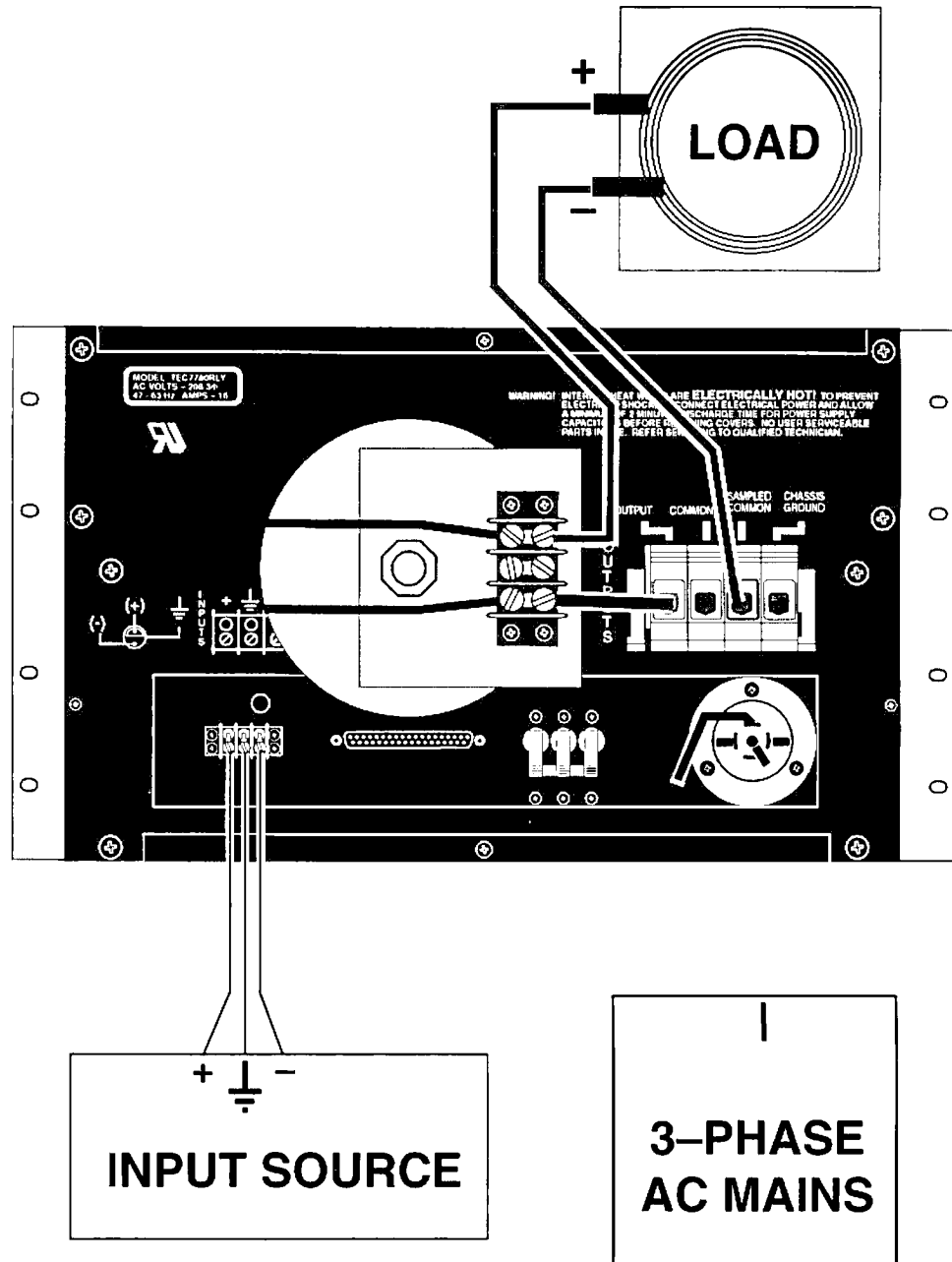
- NOTES :**
1. ALL RESISTORS ARE IN OHMS. 1/4W, 5% UNLESS OTHERWISE SPECIFIED.
  2. ALL CAPACITORS ARE IN MICROFARADS UNLESS OTHERWISE SPECIFIED.

CROWN INTERNATIONAL, INC.					
1718 WEST MISHAWAKA ROAD		ELKHART, IN. 46517		PHONE (219) 294-8000	
SCM,			AMP COMPENSATION CKTY		
ADD-ON BOARD					
DRANN	BAH	30JAN95	APPROVED BY :		DO NOT SCALE PRINT
CHECKED			ME		SUPERSEDES
SCALE	NONE		EE		E.C.N.
PROJ #			PE		C.P.N.
NEXT ASSEMBLY					J0593-4
					REV <input type="checkbox"/>

## ADD-ON CIRCUIT

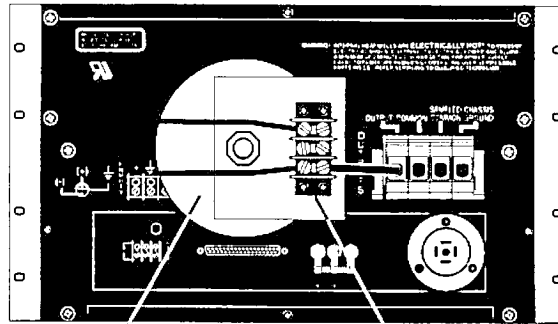
## Quick Reference Hookup

Refer to the 7700 series manual before attempting to make connections to model TEC7780RLY. There you will find safety information and hookup options that you will want to consider. Use the information below only as a basic connection reference.



## Model TEC778ORLY Description

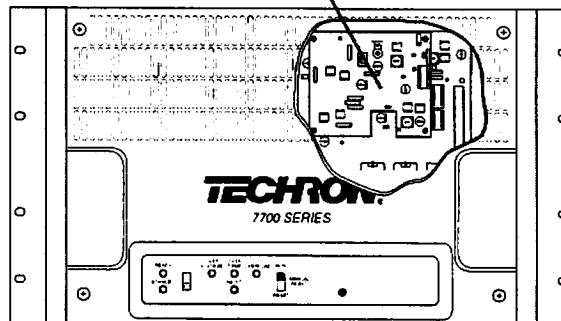
The TEC778ORLY is another model in the 7700 series of amplifiers. The two basic models in the 7700 series are the 7780 which operates from 208/240 VAC, and the 7790 which operates from 380/415 VAC. The TEC778ORLY is a modified 7780 amplifier. This supplemental manual is combined with the 7700 series manual to make a complete technical manual for model TEC778ORLY. The modifications to the basic 7780 amplifier are shown below and in the schematic on page S-4:



Toroidal Output Coil (part # H43272-6)  
added to the output.

Barrier Block (part # M45704-0)  
added for output coil connection.

Add-on Circuit Board (part # Q43147-0) provides alternate  
compensation, and a 33 kHz, low-pass Bessel filter.



**CAUTION!** Do not parallel or series this amplifier with another without modifications per Techron Applications Engineering. Please call.

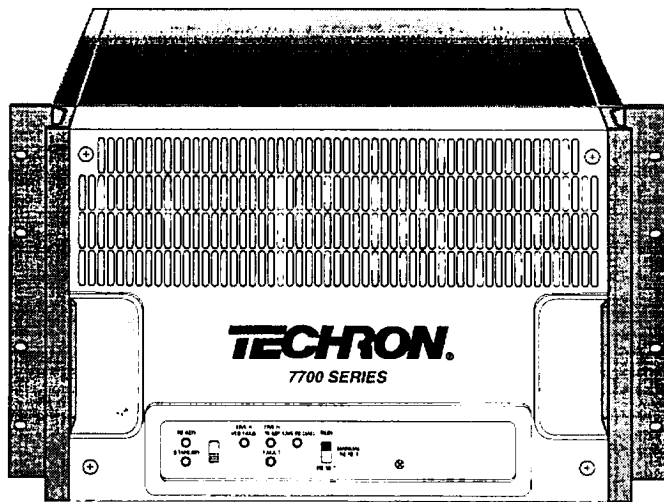
© 1996 by Techron®  
a division of Crown International, Inc.  
1718 W. Mishawaka Rd., Elkhart, Indiana 46515-1000  
Telephone: (219) 294-8300

Manual Part No: K80594-3

Rev. 1, 10/96

**TECHRON<sup>®</sup>**

***Supplemental Manual***



***TEC7780RLY***  
***Power Supply Amplifier***