

# Tech Note

## Technical Support Group

Audio Division of Crown International Inc.  
 PO Box 1000 Elkhart IN 46515-1000  
 Ph 800-342-6939/219-294-8200  
 Fax 219-294-8301

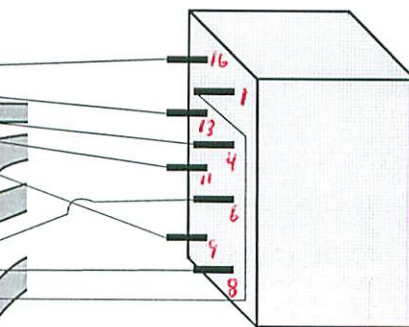
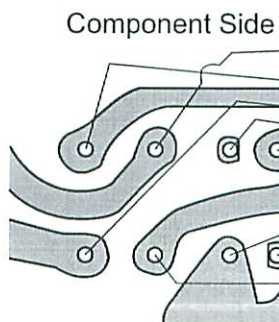
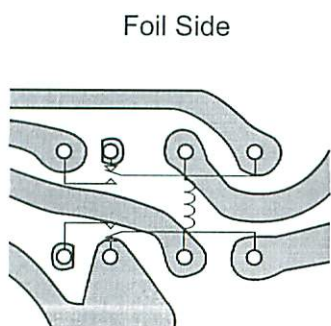
Issue Date: 5-94  
 Ref. No.: 0071  
 Subject: Replacement of Relay K1  
 Applicability: PS-200 or PS-400 with older Control Module P 9983B7.

In 1989 Crown began producing a new control module for the amplifier, Q42668-6. This new module uses board P10211-4. One of the reasons this was done was that the old relay K1, Crown Part Number (CPN) C 5898-9, was no longer available from the original relay vendor. The new module uses C 7745-0. Although electrically compatible, the configuration of the new relay differs making direct installation into an older module impossible. Should you open an older PS-200—having the P 9983B7 control board—and find that replacement of K1 is required, follow the instructions below:

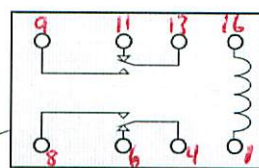
1. Obtain new relay C 7745-0 from the Crown Parts Department.
2. Desolder and remove the relay currently in the K1 position.
3. Obtain eight (8) insulated wires (22AWG recommended) of about 1½ inch each.
4. Strip each end of each wire and tin ends.
5. Solder one end of each wire to each of the eight (8) relay leads.
6. Mount the relay to the control board. Note that the end of the relay with the notch is the end with the coil. This end must face up. The opposite end may be glued to the component side of the board.
7. Insert the lead lengths into the appropriate eye holes—as shown below—and solder into place.

Partial View of P 9983B7  
 (Area of K1 Relay)

K1 Relay Mounted on End



Solder additional lead lengths to leads of K1. Solder end of additional lead lengths as shown above.



Bottom View of Relay K1  
 (C 7745-0)

Board Component side  
 ↓  
 Board. foil side

Glue.



Run wires around the side of board.

6 wires needed.

Pins 8 & 11 need. No connection on the board.

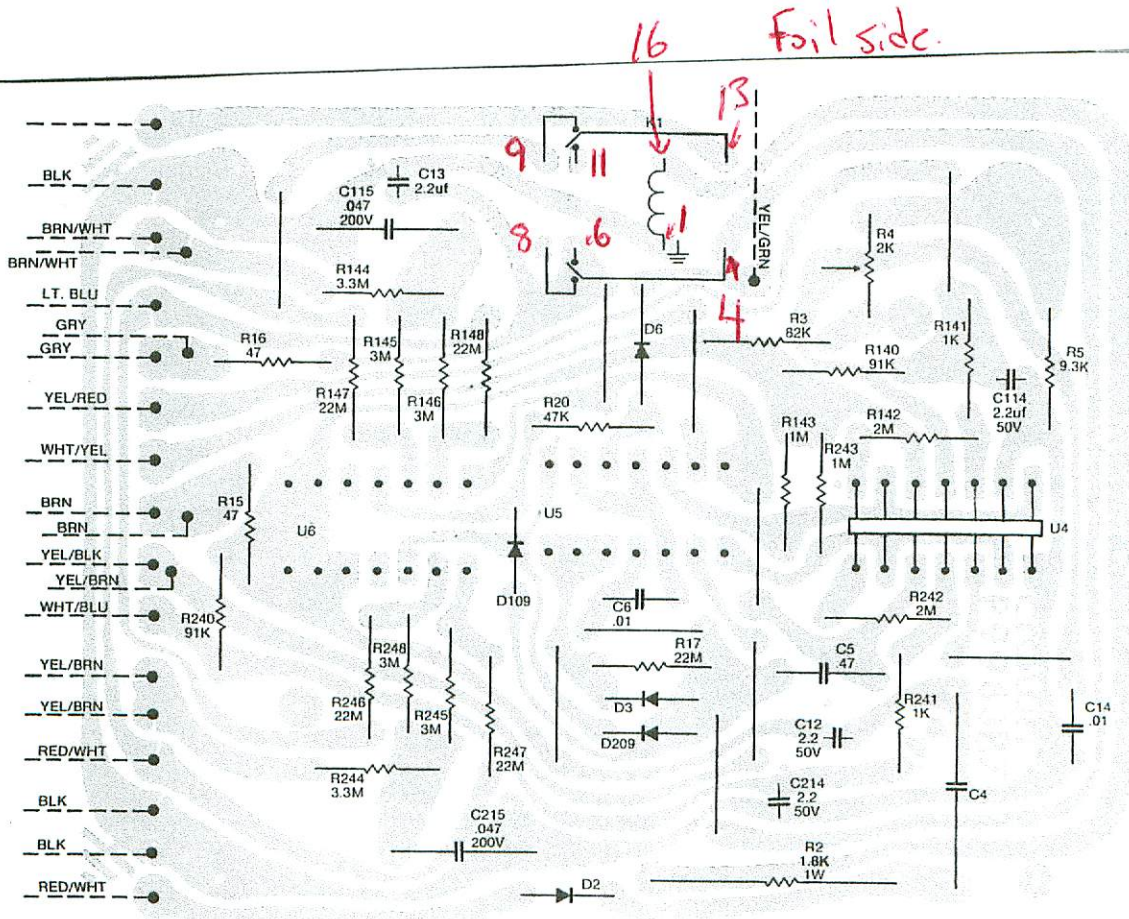
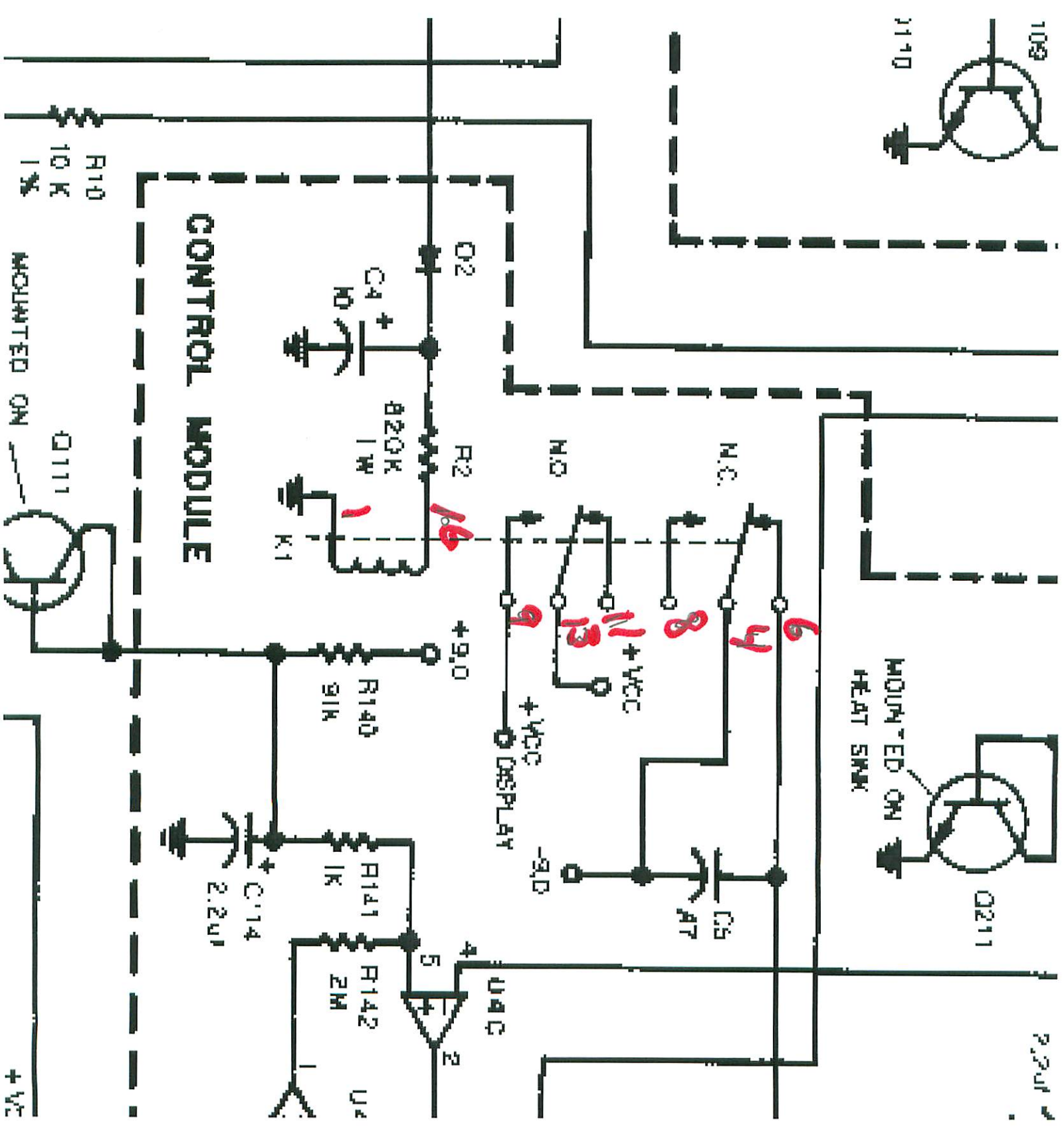


Fig. 6.6 PS-400/Power Line Four Control Module Foil Board Layout; P 9983 B7

From page 6-4 Schematic



19  
27 8 11 2