

**J3****Function**

- 1 Amplifier Output
- 2 Sampled Common
- 3 Unsampled Common
- 4 Reset + In
- 5 Master Error + Out
- 6 Overload + Out
- 7 Overtemp + Out
- 8 Overvoltage + Out
- 9 Ready + Out
- 10 Supply, + 15 VDC
- 11 Interlock Common
- 12 Interlock Common
- 13 Enable + In
- 14 Current Sum 1(-)
- 15 Current Sum 2(+)
- 16 Current Sum 3 (-)
- 17 J100 Pin 8 ( spare)
- 18 J100 Pin 6 ( spare)
- 19 J100 Pin 4 ( spare)
- 20 Common
- 21 Input, +1
- 22 Input, -1
- 23 Reset - in
- 24 Master Error - Out
- 25 Overload - Out
- 26 Overtemp - Out
- 27 Overvoltage - Out
- 28 Ready - Out
- 29 Interlock
- 30 Amp Ready
- 31 Supply, -15 VDC
- 32 Enable - In
- 33 Current Sum 1 ( +)
- 34 Current Sum 2 ( -)
- 35 Current Sum 3 (+)
- 36 J100 Pin 7 ( Spare)
- 37 J100 Pin 5 ( Spare)

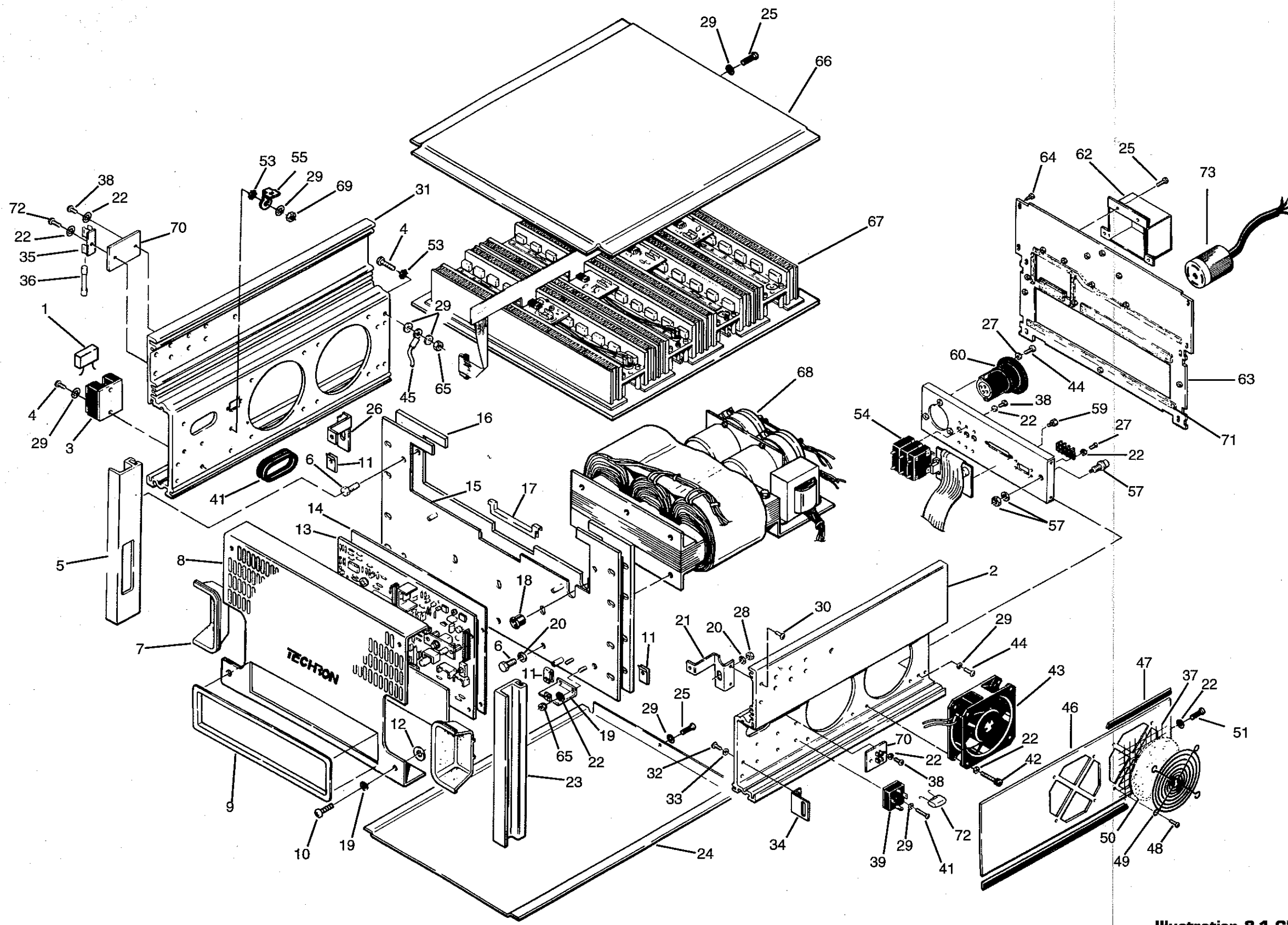
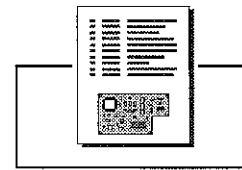


Illustration 8-1 Chassis Exploded View



## 8.7 Output Heat Sink Mounting

<b>ITEM #</b>	<b>PART #</b>	<b>DESCRIPTION</b>
1	D 7760-8	Washer, .375 X .171 X .297 Shoulder
2	A10096-1	#8 Split Ring Lockwasher
3	A10092-10812	8-32 X .75 Socket Head Cap Screw
4	A10094-6	#8 Internal Star Washer
5	A10089-10808	8-32 X .5 Pan Head Phillips Machine Screw
6	A10098-7	#6 Bellville Washer
7	A10086-10605	6-32 X .3125 Rd Head Phillips Machine Screw

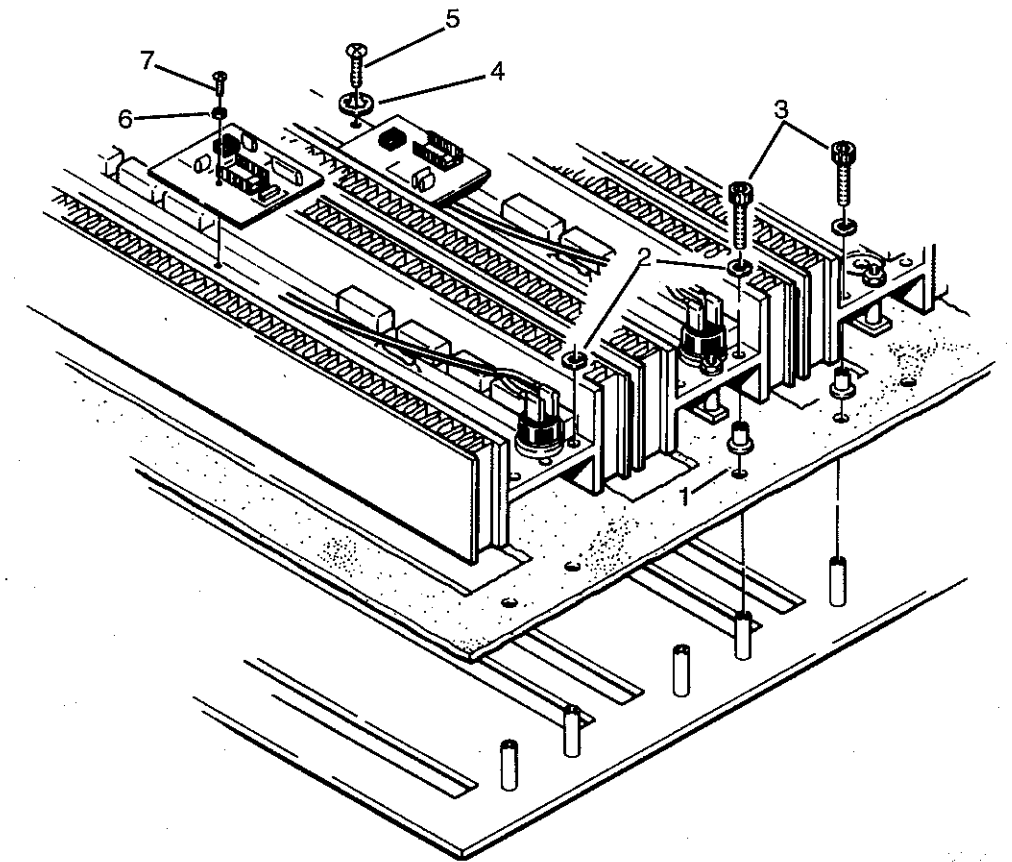


Illustration 8-2 Heat Sink Mounting Exploded View

# TRANSFORMER TEST REPORT

PAGE X OF X

2350 EXECUTIVE CIRCLE

1-800-530-8991

## TRANEX

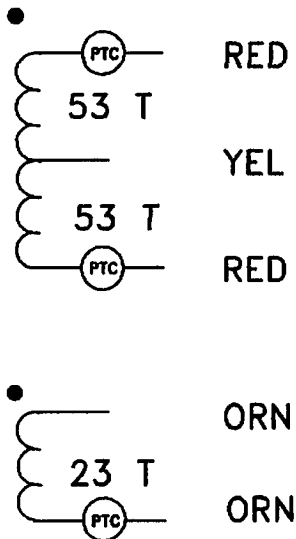
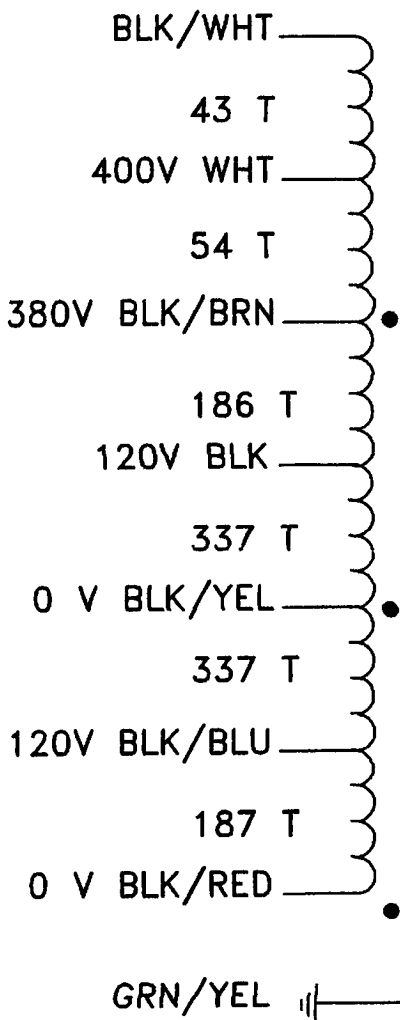
COLORADO SPRINGS, CO 80906

FAX (719) 576-1503

NO 14-7789 QTY 1 MO 327750 DUE 9/23/04 CUST AE TECHRON  
 REV TX1 7790CE

PRIMARY SECONDARY OPEN CKT TESTS PERFORMED

380/415V  
50 HZ



19.22V  
0 V  
19.22V  
8.34V

URNS RATIO/ PHASING KR 9-22  
 DIELECTRIC STRENGTH KR 9-22  
 1000 VAC 1 SEC  
 WINDING TO WINDING  
 WINDING TO CORE  
 INSPECTION MS 9-23-04

FILE:14-7789test  
 CERTIFICATION OF COMPLIANCE  
 THIS UNIT IS MANUFACTURED IN  
 STRICT ACCORDANCE WITH THE  
 SPECIFICATIONS OF  
 CUST PO# 7484  
 CUST DWG 7790CE  
 SIGNATURE M. J. Lovelace  
 DATE 9-23-04

# TRANSFORMER TEST REPORT

PAGE 11 OF 11

2350 EXECUTIVE CIRCLE

1-800-530-8991

COLORADO SPRINGS, CO 80906

## TRANEX

FAX (719) 576-1503

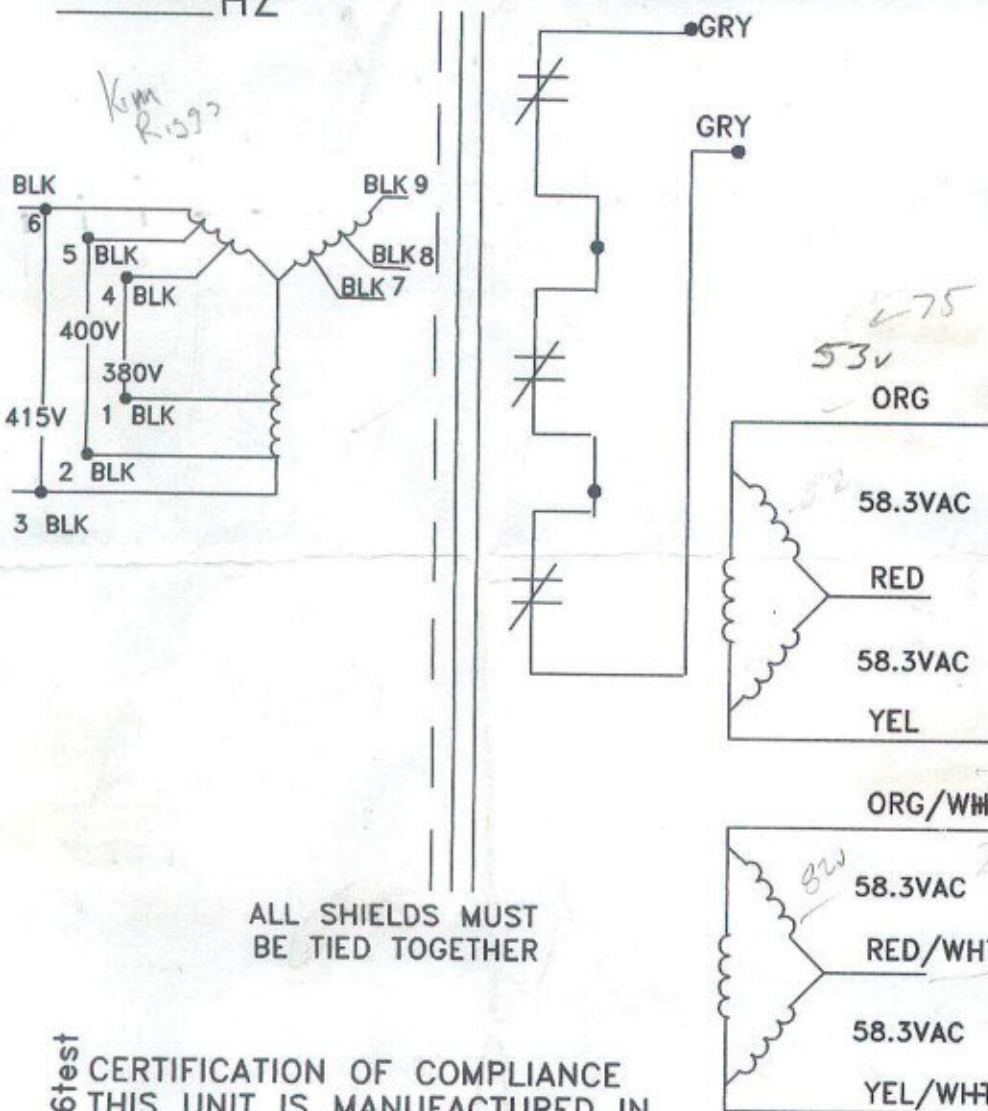
NO 18-5064 QTY 20 MO 326750 DUE 9-20 CUST AE TECHRON

REV TX2

7196-5 REV A

PRIMARY V SECONDARY OPEN CKT TESTS PERFORMED

\_\_\_\_ HZ



BEFORE IMPREG.

VOLTAGE RATIO  SEP 20 2004

DIELECTRIC STRENGTH  SEP 20 2004

.75 KV AC 10 SEC  
WINDING TO WINDING  
WINDING TO CORE

AFTER IMPREG.

DIELECTRIC STRENGTH  SEP 20 2004

1.5 KV AC 10 SEC  
WINDING TO WINDING  
WINDING TO CORE

CONNECTOR HOOKUP  SEP 20 2004

INSPECTION  9/20/04

ALL SHIELDS MUST BE TIED TOGETHER

FILE:18-5056test  
CERTIFICATION OF COMPLIANCE  
THIS UNIT IS MANUFACTURED IN  
STRICT ACCORDANCE WITH THE  
SPECIFICATIONS OF

CUST PO# 7484  
CUST DWG 7196-5 REV A  
SIGNATURE [Signature]  
DATE 9/20

3 weeks



# TRANSFORMER TEST REPORT

PAGE 9 OF 9

2350 EXECUTIVE CIRCLE

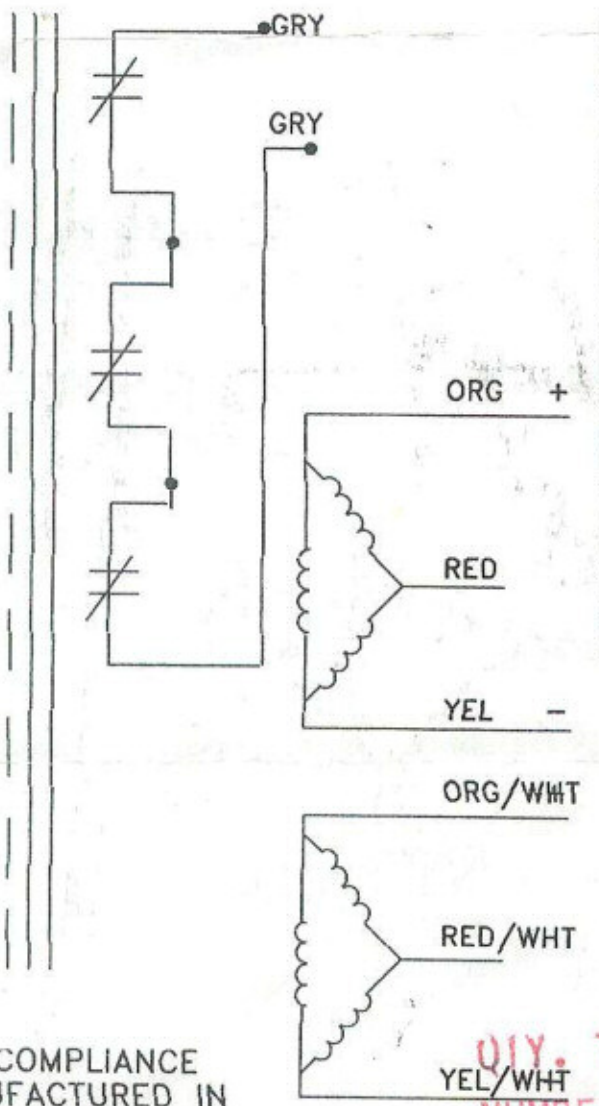
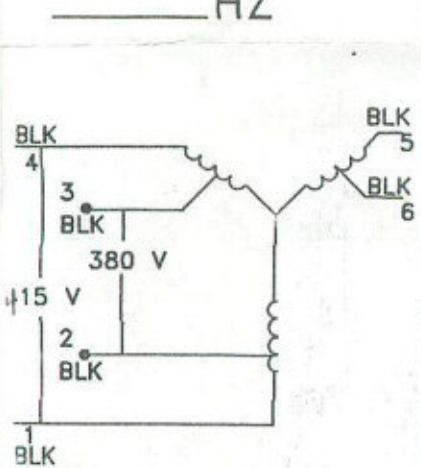
1-800-530-8991

COLORADO SPRINGS, CO 80906

## TRANEX

FAX (719) 576-1503

NO 18-5064 QTY 1 MO 241680 DUE 1-13-03 CUST AE TECHRON  
 REV TX1 7196-5  
**PRIMARY**                      **SECONDARY**                      **OPEN CKT TESTS PERFORMED**  
 \_\_\_\_\_ V  
 \_\_\_\_\_ HZ



VOLTAGE RATIO  10-03  
 75V DC  
 DIELECTRIC STRENGTH  1-10-03  
 1.5 KV AC 10 SEC  
 WINDING TO WINDING  
 WINDING TO CORE  
 CONNECTOR HOOKUP  1-13-03  
 INSPECTION  1-13-03

*380V 2 3 6*  
*115V 1 4 5*

FILE: 18-5056test  
 CERTIFICATION OF COMPLIANCE  
 THIS UNIT IS MANUFACTURED IN  
 STRICT ACCORDANCE WITH THE  
 SPECIFICATIONS OF  
 CUST PO# 6035  
 CUST DWG 7196-5  
 SIGNATURE K.R.  
 DATE 1-13-03

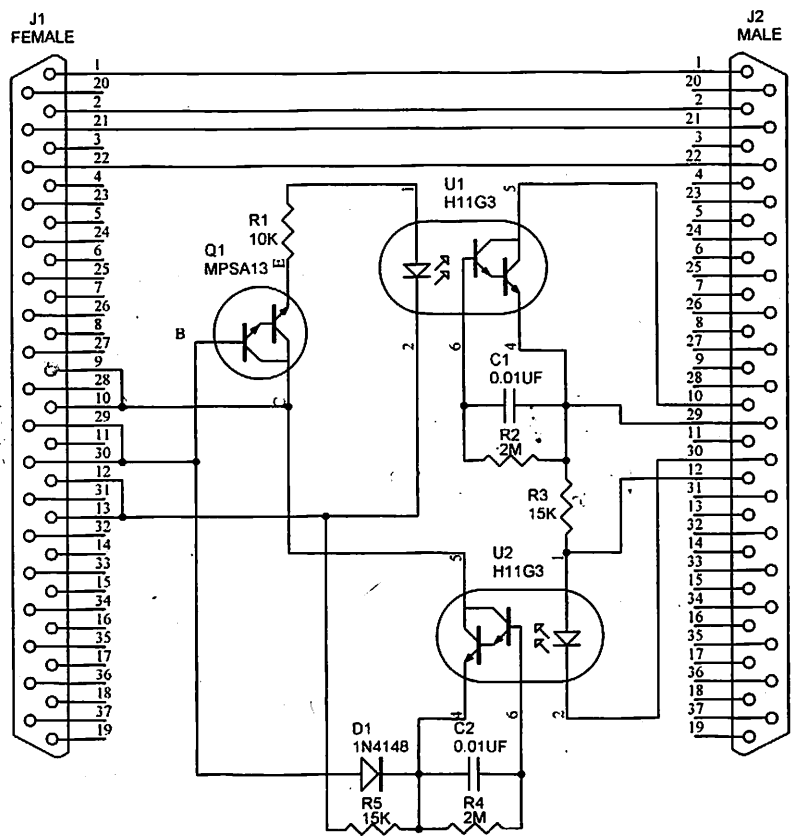
QTY. THIS ORDER 1  
 NUMBER OF BOXES 1  
1 BOXES @ 61 LBS. PER BOX  
 BOX @      LBS. PER BOX

BLE 4 - 21  
 W 11 - 22

**SLAVE** To Master or additional Slave depending on configuration  
 7781  
 J3-1 ← J3-1, Amp out  
 J3-10 ← J3-2, Sampled Common  
 BR J3-4 → J3-21, +1 Input  
 BX J3-17 → J3-22, -1 Input

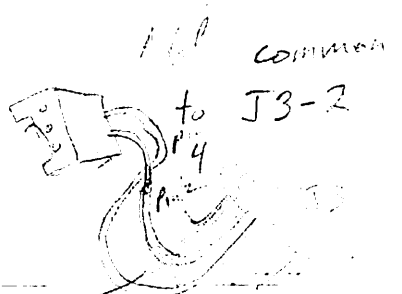
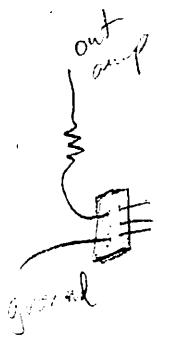
To Master Amplifier J3 (and additional optocs) by a shielded cable  
 R J3-13 Master J3-9,10, +15 Volts  
 G J3-6 Master J3-29,30, Interlock  
 C O J3-14 Master J3-12,13, Sampled Common

C 1.4 - 12



Attached to of Slave Amplifier "J3"  
 7780  
 Slave J3-1, Amp Out ← J3-4  
 Slave J3-2, Sampled Common ← J3-2  
 Slave J3-21, +1 Input → J3-1  
 Slave J3-22, -1 Input → J3-10

Slave J3-10, +15 Volts J3-13 R  
 Slave J3-29, Interlock J3-6 G  
 Slave J3-30, Amp ready J3-7 W  
 Slave J3-12, Sampled Common J3-14 O



J P 3 F W 0000  
 J P 3 F M L 0000  
 J 3 R 100 HD

OPTOC 1 5/1/02

Size	Number	Revision
Letter		
Date	20-Oct-2003	Sheet of
File	C:\Audio Electronics Boards\Opto Sch	Drawn By
		JACK KLINGLER

**Don Curtis**

From: John Wolf  
 Sent: Wednesday, April 30, 2008 1:41 PM  
 To: Lary Shank  
 Cc: Jo Fulmer; Paula McBrier; James Goddard; 'Don Curtis (DCurtis@aetechron.com)'; Lisa Edwards  
 Subject: RE: AE Techron OPTOC-1

All,

A new BOM has been created for the OPTOC-1 for use with a 7781 (like we have done for ETM).

The new BOM number is - 68-1826001 ASM, OPTOC-1, EXT. INTERCONNECT

Additional new part numbers are;

P/N	Description
52-1826002	CABLE, CUSTOM, D-SUB, 15M TO 37M
52-1826003	CABLE, CUSTOM, D-SUB, 15M TO 37F
55-8001455	CONN, D-SUB, 15P, MALE
55-8001456	CONN, D-SUB, 37P, MALE
55-8001457	CONN, D-SUB, 37P, MALE
59-8001458	BACKSHELL, DB15, METALIZED PLASTIC

Here is a snapshot of the BOM:

AE Techron Inc			PAGE NO:1
BOM NUMBER	: 68-1826001	REV:	UNEXP. FRX
BOM DESCRIPTION	: ASH, OPTOC-1, EXT. INTERCONNECT	MODEL NO:	
DATE	: 04/30/2008		
QTY	: 1.0000		

**UNCOSTED EXPLODED LEVEL BOM REPORT**

P/B	ITEM	BOM/PART NUMBER	DESCRIPTION	LOCATE	COST	QUANTITY	UNIT
BOM	0002	52-1826002	CABLE, CUSTOM, D-SUB, 15M TO 37M			1.000	EA
.PART	0001	55-8001455	CONN, D-SUB, 15P, MALE			1.000	EA
.PART	0002	55-8001456	CONN, D-SUB, 37P, MALE			1.000	EA
.PART	0003	59-8000588	BACKSHELL, DB37 METALIZED PLASTIC	C-3-F		1.000	EA
.PART	0004	59-8001458	BACKSHELL, DB15, METALIZED PLASTIC			59.000	EA
BOM	0003	52-1826003	CABLE, CUSTOM, D-SUB, 15M TO 37F			1.000	EA
.PART	0001	55-8001455	CONN, D-SUB, 15P, MALE			1.000	EA
.PART	0002	55-8001457	CONN, D-SUB, 37P, MALE			1.000	EA
.PART	0003	59-8000588	BACKSHELL, DB37 METALIZED PLASTIC	C-3-F		1.000	EA
.PART	0004	59-8001458	BACKSHELL, DB15, METALIZED PLASTIC			1.000	EA
BOM	0001	68-1825002	OPTO COUPLER MODULE 7780			1.000	EA
.PART	0008	20-1002441	RES 10.OK 20-1/4w 1%	A-2-F		1.000	EA
.PART	0009	20-1502441	RES 15K 1/4w 1%	A-3-A		2.000	EA
.PART	0010	20-2004441	RES, 2H 1% .25W HF AXIAL	A-4-C		2.000	EA
.PART	0012	25-1002355	CAP .01uf 50v 5% HF RAD	B-3-B		2.000	EA
.PART	0001	31-8001160	IC, OPTO COUPLER PHOTODARLINGTON	C-4-F		2.000	EA
.PART	0002	32-8001402	TRANS MPSA13 NPN 30V 500MA	E-1-A		1.000	EA
.PART	0011	34-8000139	DIODE, 1N4148 AXIAL	C-1-A		1.000	EA
.PART	0019	52-8001419	CABLE, OPTO COUPLER CONTROL	E-4-A		1.000	FT
.PART	0015	55-8001319	CONNECTOR, 37 PIN D SUB FEH	C-5-G		1.000	EA
.PART	0003	55-8001320	CONNECTOR, 37 PIN D SUB MALE			1.000	
.PART	0018	59-8000588	BACKSHELL, DB37 METALIZED PLASTIC	C-3-F		2.000	EA
.PART	0014	66-1825001	CIRCUIT BD FOR 7780 OPTO COUPLER	F-5-C		1.000	
.PART	0016	80-8001226	SCREW, #4 WITH CLIP FOR D SUB	L-2-E		2.000	EA
.PART	0017	81-8001274	JACK NUT FOR D-SUB FEHALE	L-3-B		2.000	EA
.PART	0013	D7065-2	PLASTIC COVER OPTO COUPLER			2.000	

One additional item; the cable (wire) itself will need to be documented in order for this to be 100% done.

Thanks,  
 John D. Wolf, II  
 Mechanical Engineer  
 AE Techron, Inc.  
 574.295.9495  
 www.aetechron.com

From: Larry Shank  
 Sent: Monday, April 28, 2008 2:28 PM  
 To: John Wolf  
 Subject: FW: AE Techron OPTOC-1

Need a part number for an OPTOC-1 that is modified for use with a 7781.

5/2/2008