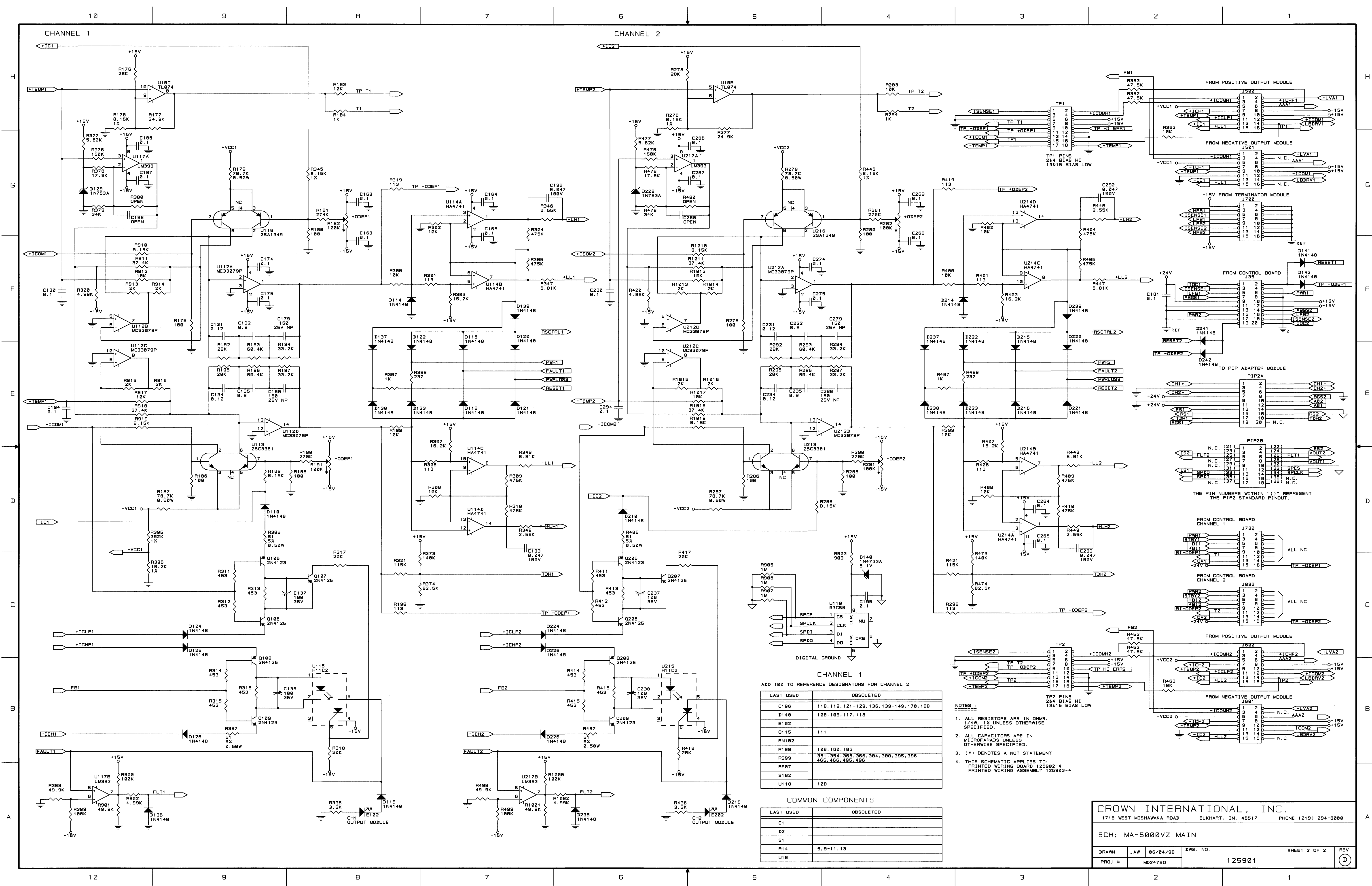


E. C. N.	ZONE	REV	DESCRIPTION	DATE	BY	APPROVALS
98E0342		A	PRODUCTION RELEASE (LEVEL 1)	08/04/98	JAW	KW
98E0058		B	TDH1 WAS -ODEP1, TDH2 WAS -ODEP2, PIP2A WAS J2A, PIP2B WAS J2B, PWB WAS -1, PWA WAS -1.	02/09/99	JW	KW
98E0209		C	TP1 (J500) WAS TP2, TP2 (J600) WAS TP1, UPDATED NOTE 4.	05/18/99	JAW	KW
T891698		D	UPDATED NOTE 4.	08/16/99	DK	KW

CROWN INTERNATIONAL, INC.
 1718 WEST MISHAWAKA ROAD ELKHART, IN. 46517 PHONE (219) 294-8888

SCHEMATIC: MA-5000VZ MAIN

PRINTS TO	DRAWN	JAW	08/04/98	APPROVED BY :	DO NOT SCALE PRINT
G	CHECKED	KW	02/18/99	ME	SUPERSEDES
	SCALE	NONE	EE	N/A	E. C. N.
	PROJ #	MD24750	PE	JY	08/09/98
	FILENAME:	125901C.SCM			DWG. NO. SHEET 1 OF 2
					125901



ADD 100 TO REFERENCE DESIGNATORS FOR CHANNEL 2

LAST USED	OBSOLETE
C186	118, 119, 121-129, 136, 139-149, 170, 188
D148	188, 189, 117, 118
E182	
Q115	111
RN182	
R199	188, 189, 185
R399	351, 354, 355, 356, 384, 388, 395, 396
R987	465, 466, 495, 496
S182	
U118	188

COMMON COMPONENTS

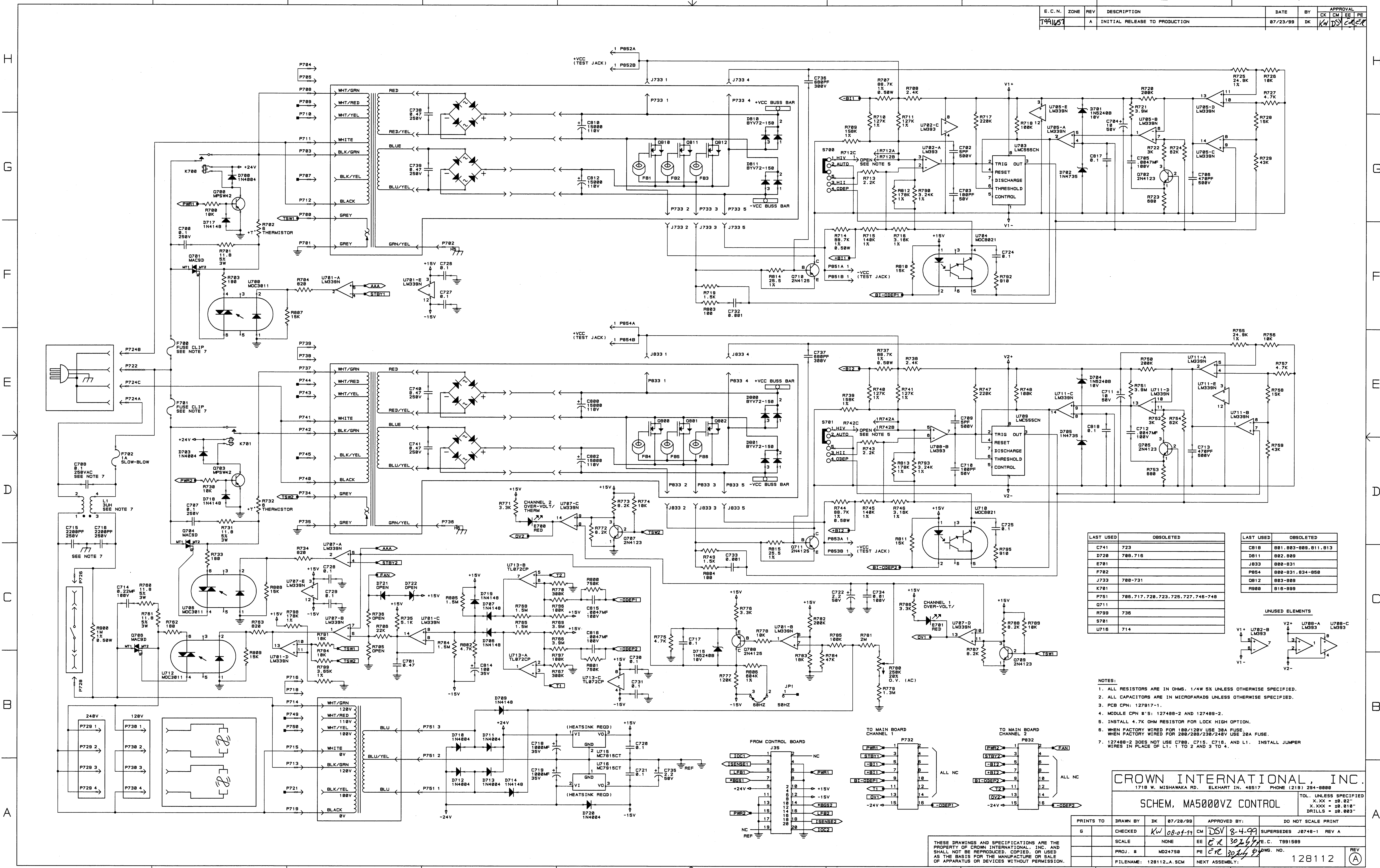
LAST USED	OBSOLETE
C1	
D2	
S1	
R14	5, 9-11, 13
U18	

- NOTES:
- ALL RESISTORS ARE IN OHMS, 1/4W, 1% UNLESS OTHERWISE SPECIFIED.
 - ALL CAPACITORS ARE IN MICROFARADS UNLESS OTHERWISE SPECIFIED.
 - (*) DENOTES A NOT STATEMENT
 - THIS SCHEMATIC APPLIES TO: PRINTED WIRING BOARD 125982-4, PRINTED WIRING ASSEMBLY 125983-4

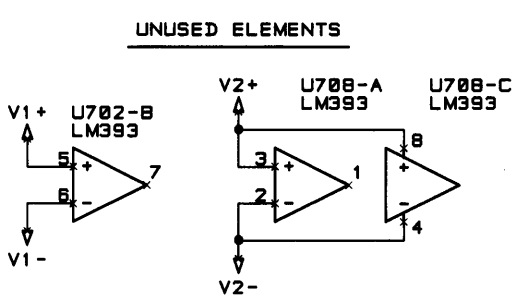
CROWN INTERNATIONAL, INC.
 1718 WEST MISHAWAKA ROAD ELKHART, IN. 46517 PHONE (219) 294-8888

SCH: MA-5000VZ MAIN

DRAWN	JAW	06/04/98	DWG. NO.		SHEET 2 OF 2	REV
PROJ #	MD24750			125981		(D)



LAST USED	OBSOLETE	LAST USED	OBSOLETE
C741	723	CB18	881, 883-888, 811, 813
D728	788, 716	DB11	882, 889
E781		J833	880-831
F782		P854	880-831, 834-850
J733	788-731	QB12	883-889
K781		R888	816-889
P751	788, 717, 728, 723, 726, 727, 746-748		
Q711			
R788	736		
S781			
U718	714		



- NOTES:
1. ALL RESISTORS ARE IN OHMS, 1/4W 5% UNLESS OTHERWISE SPECIFIED.
 2. ALL CAPACITORS ARE IN MICROFARADS UNLESS OTHERWISE SPECIFIED.
 3. PCB CPN: 127817-1.
 4. MODULE CPN #'S: 127488-2 AND 127489-2.
 5. INSTALL 4.7K OHM RESISTOR FOR LOCK HIGH OPTION.
 6. WHEN FACTORY WIRED FOR 180/128V USE 38A FUSE. WHEN FACTORY WIRED FOR 288/238/248V USE 28A FUSE.
 7. 127488-2 DOES NOT USE C788, C715, C718, AND L1. INSTALL JUMPER WIRES IN PLACE OF L1, 1 TO 2 AND 3 TO 4.

CROWN INTERNATIONAL, INC.
 1718 W. MISHAWAKA RD. ELKHART IN. 46517 PHONE (219) 294-8888

SCHEM. MA500VZ CONTROL

TOL. UNLESS SPECIFIED
 X.XX = ±0.02"
 X.XXX = ±0.010"
 DRILLS = ±0.003"

PRINTS TO	DRAWN BY	DK	07/28/88	APPROVED BY:	DO NOT SCALE PRINT
G	CHECKED	KW	08-01-88	CM	DSV 8-4-88
	SCALE	NONE		EE	EC 30-2-88
	PROJ. #	MD24758		PE	EC 30-2-88
	FILENAME:	128112.A.SCM			
	NEXT ASSEMBLY:				

THESE DRAWINGS AND SPECIFICATIONS ARE THE PROPERTY OF CROWN INTERNATIONAL, INC. AND SHALL NOT BE REPRODUCED, COPIED, OR USED AS THE BASIS FOR THE MANUFACTURE OR SALE OF APPARATUS OR DEVICES WITHOUT PERMISSION.

8 7 6 5 4 3 2 1

C.P.N. J0491-1 REV (C)

E.C.N.	ZONE	REV	DESCRIPTION	DATE	BY	APPROVALS		
						CK	ME	PE
	F5 E2	(A)	CORRECTED CPN ON R502, R602 WAS C 2876-8 ADDED MODULE DOC. CPN NOTE.	9/21/92	TLM			
EAT# 96-149		(B)	R500 AND R600 WERE 127K CORRECT NOTE 5	03/18/96	LCD			PW
EAT# 96-200		(C)	R504, R604 WERE 2K R527, R627 WERE 910	06/26/96	LCD			

LAST USED	OBSOLETE
C505	
C601	
D510	D501
D610	D601
E502	
E602	
R527	
R627	
Q505	Q501
Q605	Q601
U501	

NOTES :

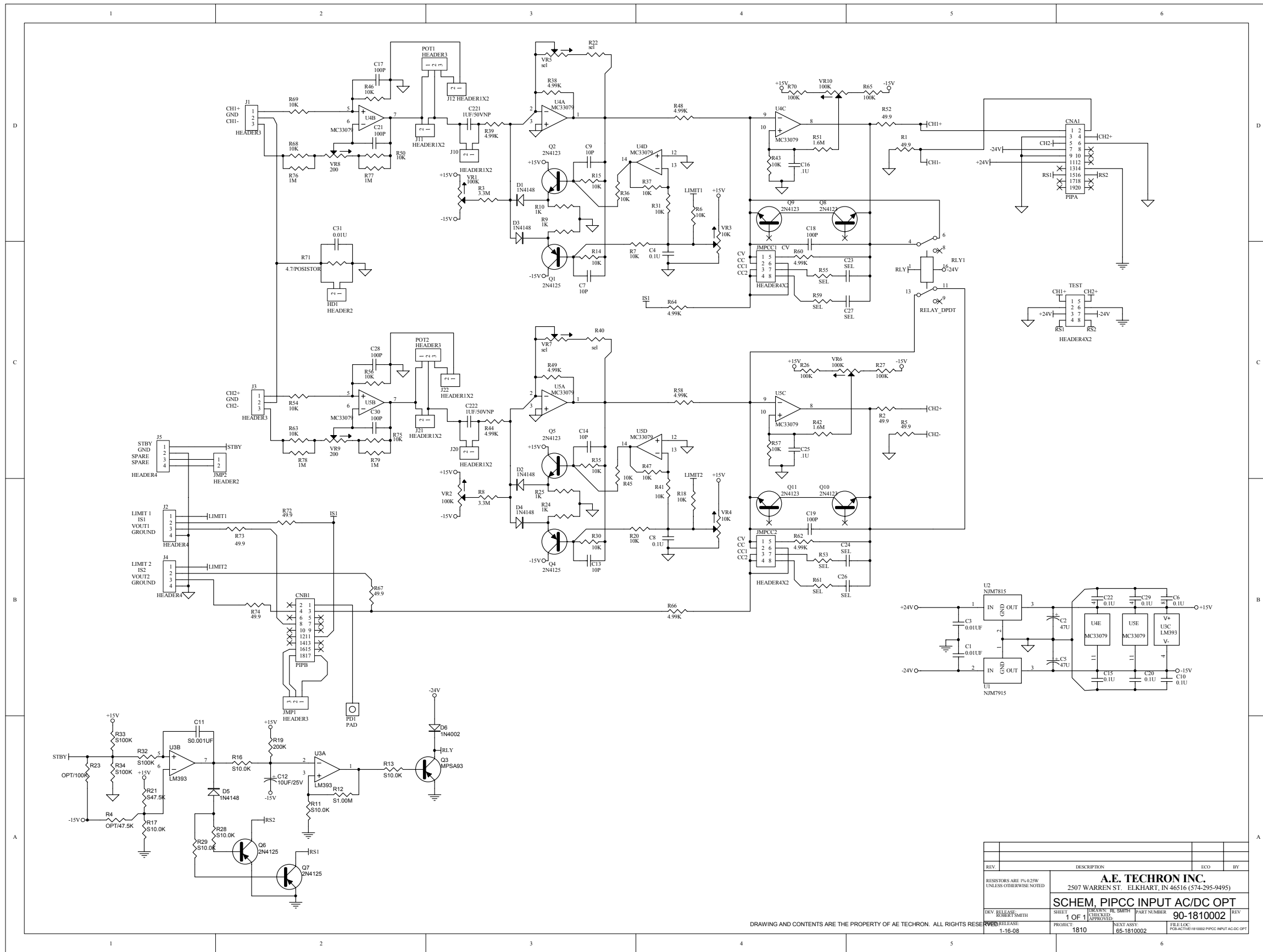
1. ALL RESISTORS ARE IN OHMS. 1/4W, 5% UNLESS OTHERWISE SPECIFIED.
2. ALL CAPACITORS ARE IN MICROFARADS UNLESS OTHERWISE SPECIFIED.
3. (*) DENOTES A NOT STATEMENT.
4. PCB CPN: D7845-7 (REV. A)
5. MODULE DOC. CPN: G42929-2 (REV. D)

CROWN INTERNATIONAL, INC.
1718 WEST MISHAWAKA ROAD ELKHART, IN. 46517 PHONE (219) 294-8000

SCHEMATIC; MA-5000VZ DISPLAY

PRINTS TO		DRAWN		TLM		7-29-91		APPROVED BY :		DO NOT SCALE PRINT	
G											
		CHECKED						ME			SUPERSEDES J0491-1.SCM REV. -
		SCALE		NONE		EE	AA	8/10/92		E.C.N.	
		PROJ #		D247		PE	TS	8/10/92		C.P.N.	
		NEXT ASSEMBLY								J0491-1	REV (C)

8 7 6 5 4 3 2 1



REV	DESCRIPTION	ECO	BY
1	SCHEM. PIPCC INPUT AC/DC OPT		

RESISTORS ARE 1% 0.25W UNLESS OTHERWISE NOTED

A.E. TECHRON INC.
2507 WARREN ST. ELKHART, IN 46516 (574-295-9495)

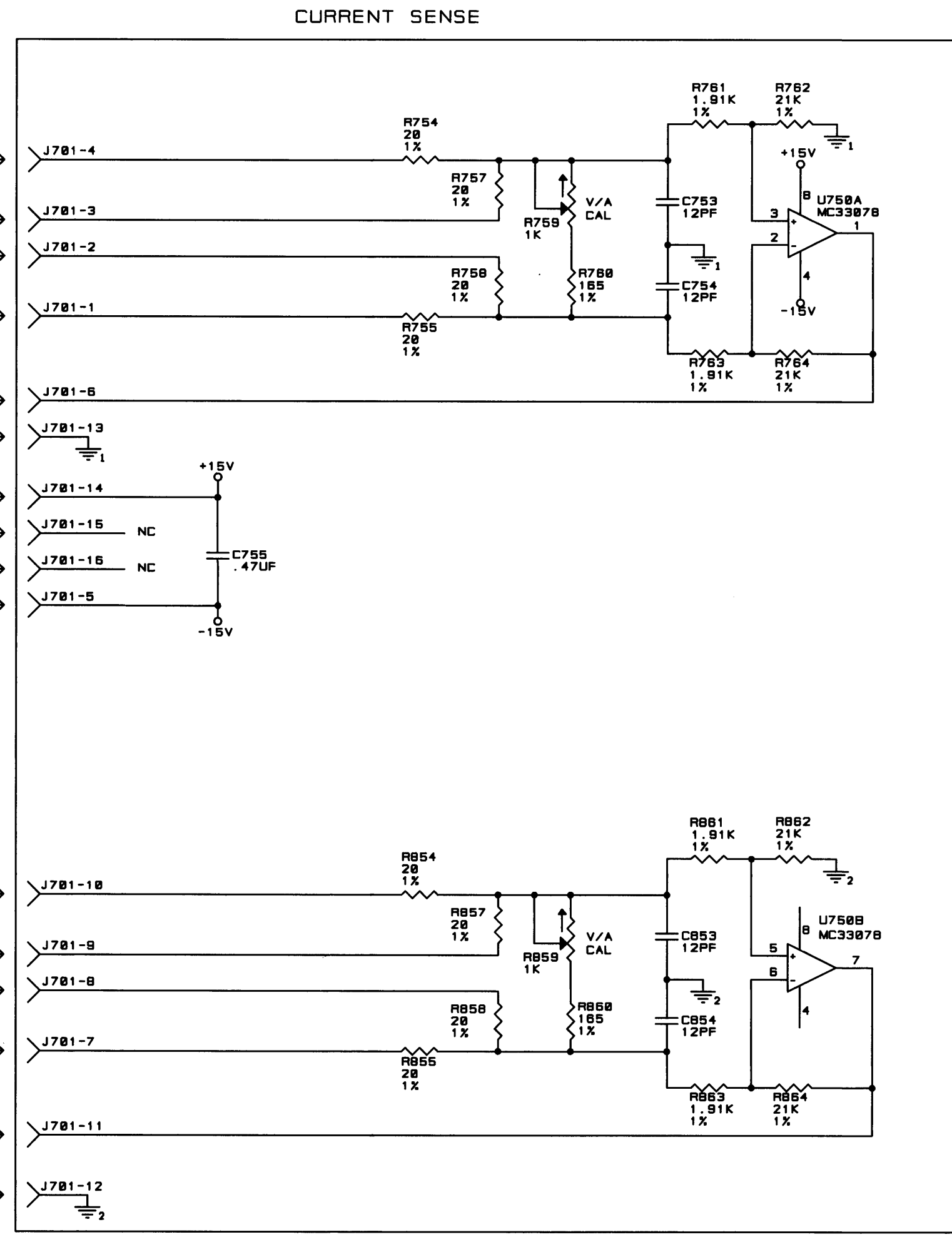
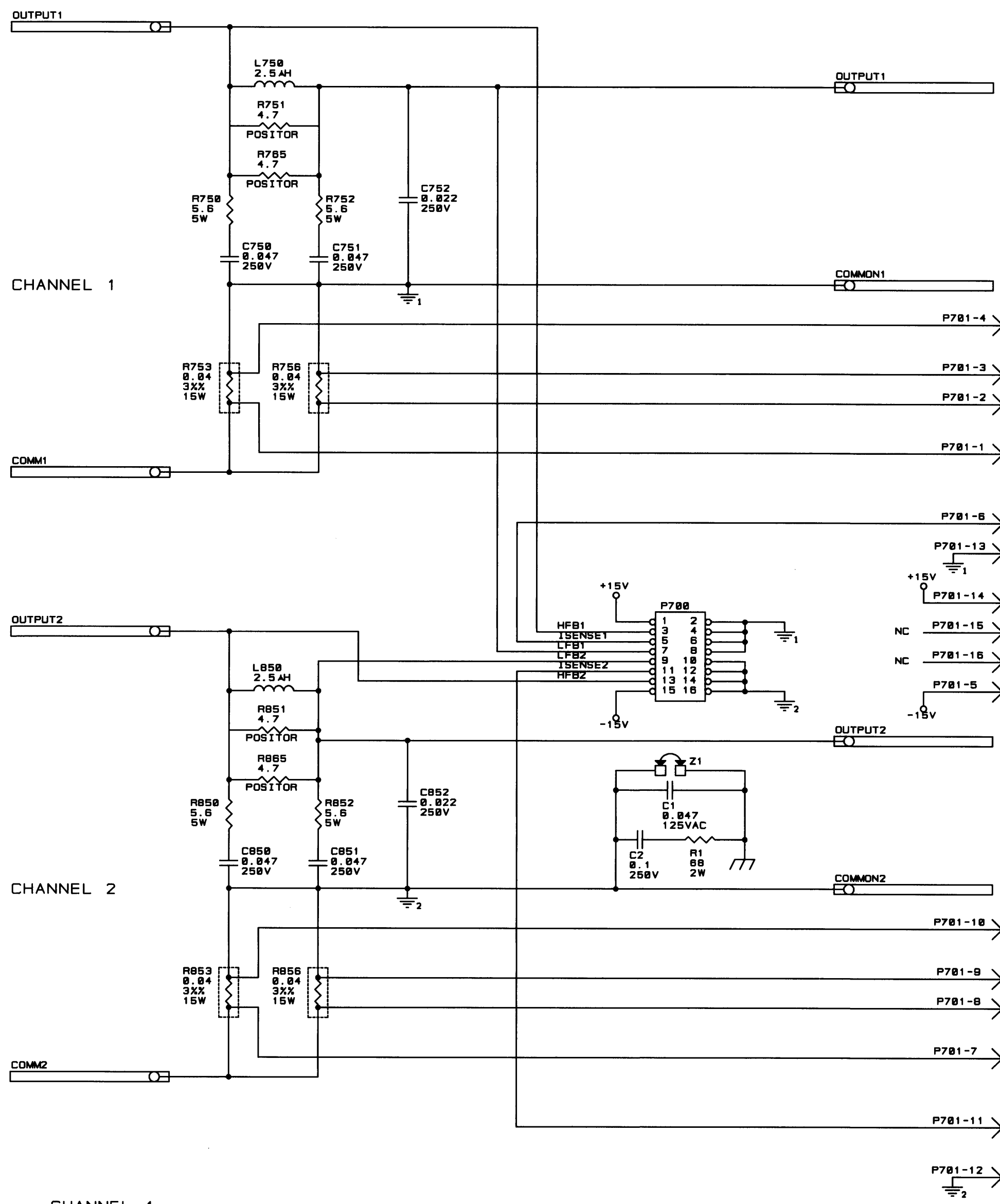
DEV: R. SMITH
SHEET: 1 OF 1
PROJECT: 1810

DESIGN: R. SMITH
CHECKED: []
APPROVED: []

PART NUMBER: 90-1810002
NEXT ASSY: 85-1810002
FILE LOC: PIP-ACTIVE/1810002/PIPCC INPUT AC/DC OPT

DRAWING AND CONTENTS ARE THE PROPERTY OF AE TECHRON. ALL RIGHTS RESERVED.

E.C.N.	ZONE	REV	DESCRIPTION	DATE	BY	APPROVALS
		A	INITIAL RELEASE	04/29/97	LCD	KW
99E0247		B	ADDED C755. REVISED NOTES 4 & 5.	05/16/99	JAW	ME N/A EE N/A PE



CHANNEL 1

LAST USED	OBSOLETE
C755	C700-C753
L750	L700-L749
R705	R700-R749
U750	U700-U749

CHANNEL 2

LAST USED	OBSOLETE
C854	C800-C853
L850	L800-L849
R855	R800-R849

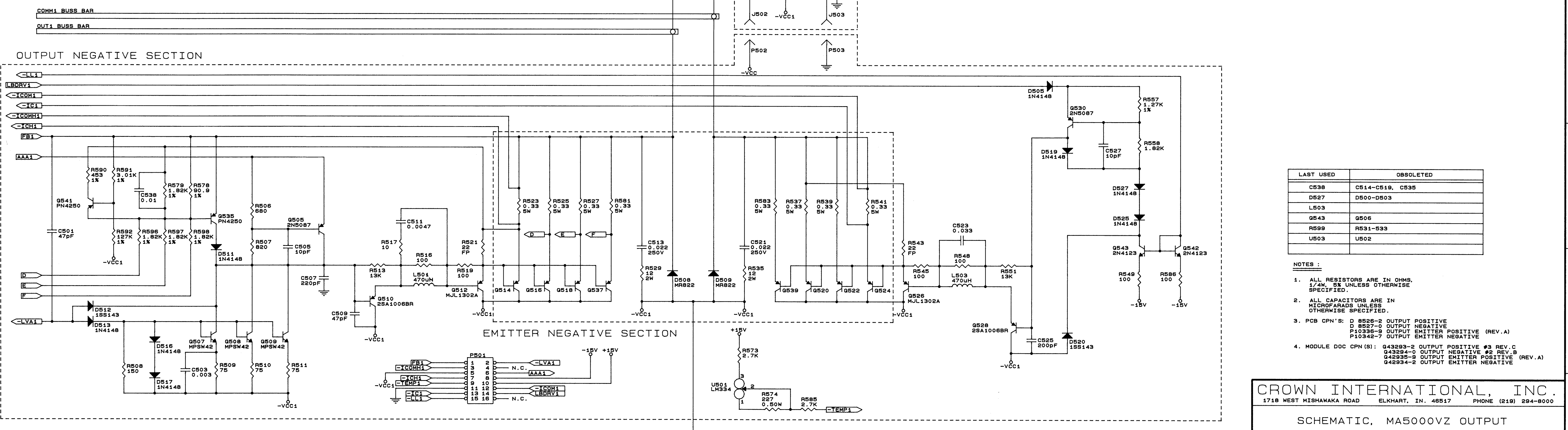
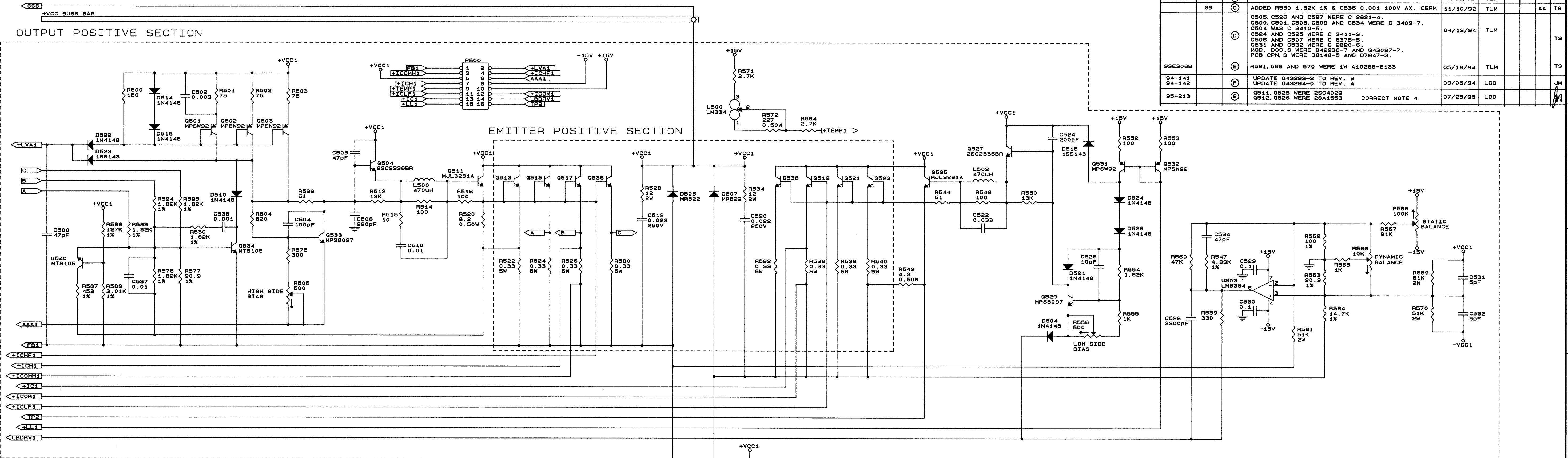
- NOTES :
- ALL RESISTORS ARE IN OHMS, 1/4W, 5% UNLESS OTHERWISE SPECIFIED.
 - ALL CAPACITORS ARE IN MICROFARADS UNLESS OTHERWISE SPECIFIED.
 - REFERENCE DESIGNATORS BEGIN AT 750/850.
 - PWB NUMBER IS 102395-2
 - PWA NUMBER IS 102397-2
 - CAPACITOR PART NUMBER C 9500-5 HAS BEEN CHANGED TO A10434-473JD

CROWN INTERNATIONAL, INC.
 1718 WEST MISHAWAKA ROAD ELKHART, IN. 46517 PHONE (219) 294-8000

SCHMATIC; MA-5000VZ TERMINATOR

PRINTS TO	DRAWN	LCD	04/29/97	APPROVED BY :	DO NOT SCALE PRINT
G	CHECKED	KW	05/29/97	ME N/A	SUPERSEDES J0705-4 REV A
	SCALE	NONE		EE N/A	E.C.N.
	PROJ	MD356D0		PE PW 05/30/97	C.P.N.
	NEXT ASSEMBLY				102396 (B)

E.C.N.	ZONE	REV	DESCRIPTION	DATE	BY	CHK	APP	APPROVALS
		(B)	R588 & R592 WAS C 5727-0.	9/03/92	TLM			TS
	99	(C)	ADDED R530 1.82K 1% & C536 0.001 100V AX. CERM	11/10/92	TLM			AA TS
		(D)	C505, C526 AND C527 WERE C 2821-4. C500, C501, C508, C509 AND C534 WERE C 3409-7. C504 WAS C 3410-5. C534 AND C535 WERE C 3411-3. C506 AND C507 WERE C 8375-5. C531 AND C532 WERE C 2820-6. MOD. DOC. S WERE Q42936-7 AND Q43097-7. PCB CPN. S WERE D8148-5 AND D7847-3.	04/13/94	TLM			TS
93E306B		(E)	R561, 569 AND 570 WERE 1W A10266-5133	05/18/94	TLM			TS
94-141 94-142		(F)	UPDATE Q43293-2 TO REV. B UPDATE Q43294-0 TO REV. A	09/06/94	LCD			JM
95-213		(G)	Q511, Q525 WERE 2SC4029 Q512, Q526 WERE 2SA1553	07/25/95	LCD			JM



LAST USED	OBSOLETE
C538	C514-C519, C535
D527	D500-D503
L503	
Q543	Q506
R599	R531-533
U503	U502

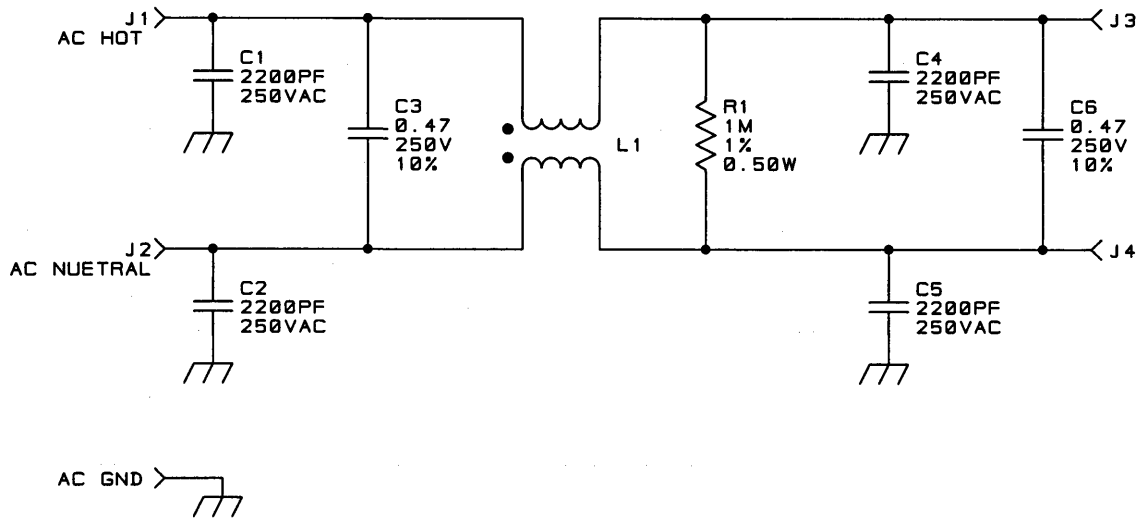
- NOTES:
- ALL RESISTORS ARE IN OHMS. 1/4W, 5% UNLESS OTHERWISE SPECIFIED.
 - ALL CAPACITORS ARE IN MICROFARADS UNLESS OTHERWISE SPECIFIED.
 - PCB CPN'S: D 8826-2 OUTPUT POSITIVE
D 8837-0 OUTPUT NEGATIVE
P10336-9 OUTPUT EMITTER POSITIVE (REV.A)
P10342-7 OUTPUT EMITTER NEGATIVE
 - MODULE DOC CPN (S): Q43293-2 OUTPUT POSITIVE #3 REV.C
Q43294-0 OUTPUT NEGATIVE #2 REV.B
Q42935-9 OUTPUT EMITTER POSITIVE (REV.A)
Q42934-2 OUTPUT EMITTER NEGATIVE

CROWN INTERNATIONAL, INC.
1718 WEST MISHAWAKA ROAD ELKHART, IN. 46517 PHONE (219) 294-8000

SCHEMATIC, MA5000VZ OUTPUT

PRINTS TO	DRAWN	TLM	08/24/92	APPROVED BY :	DO NOT SCALE PRINT
g	CHECKED			ME	SUPERSEDES J0488-7 REV.E
	SCALE	NONE		EE	E.C.N.
	PROJ #	D247		PE TS	08/20/92
	NEXT ASSEMBLY				C.P.N. J0488-7

REV G



NOTES:

1. ALL RESISTORS ARE IN OHMS. .25W, 5% UNLESS OTHERWISE SPECIFIED.
2. ALL CAPACITORS ARE IN MICROFARADS UNLESS OTHERWISE SPECIFIED.

CROWN INTERNATIONAL, INC.

1718 W. MISHAWAKA RD. ELKHART IN. 46517 PHONE (219) 294-8000

THESE DRAWINGS AND SPECIFICATIONS ARE THE PROPERTY OF CROWN INTERNATIONAL, INC. AND SHALL NOT BE REPRODUCED, COPIED, OR USED AS THE BASIS FOR THE MANUFACTURE OR SALE OF APPARATUS OR DEVICES WITHOUT PERMISSION.

DRAWN	KLW	10-23-99	DWG. NO.	SHEET 5 OF 5	REV
PROJ.	MD185S0		128273-2		1