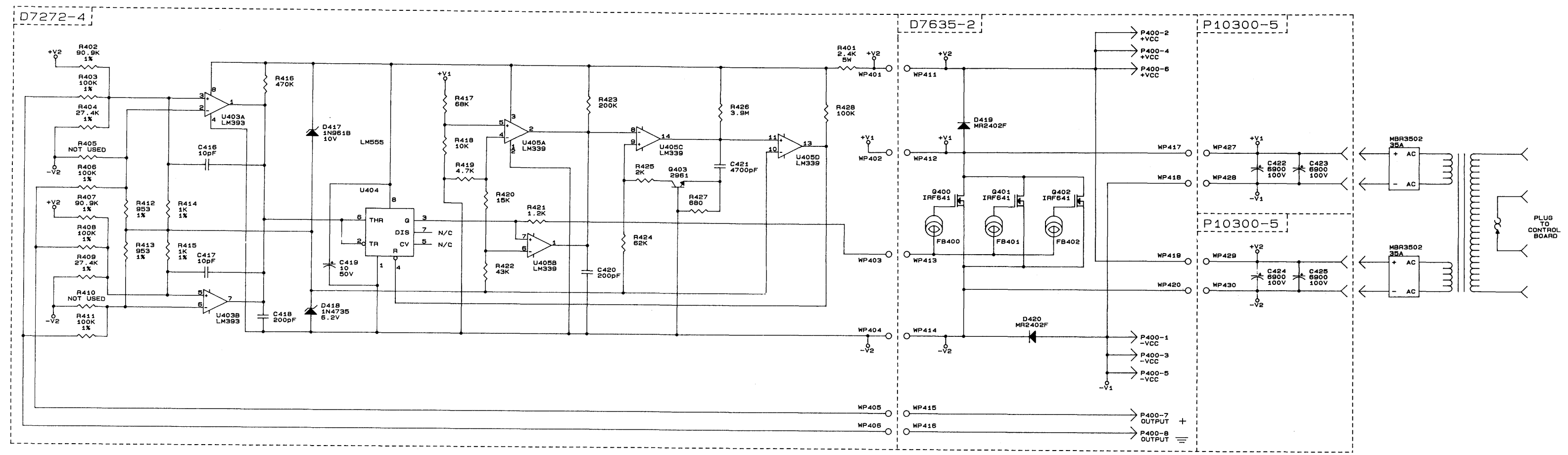


10 9 8 7 6 5 4 3 2 1

E.C.N.	ZONE	REV	DESCRIPTION	DATE	BY	APPROVAL
		(A)	R418 TBD, R405 WAS TBD, R410 WAS TBD	02-24-92	KLW	(KL)



CHANNEL 1 BILEVEL SWITCH CIRCUITRY

LAST USED	OBSOLETE
C425	C400-C415
D420	D400-D415
FB402	
P400	
Q403	
R428	R400
U405	U400-U402
WP430	WP407-WP410, WP421-WP425

- NOTES:
- ALL RESISTORS ARE IN OHMS, 1/4W, 5% UNLESS OTHERWISE SPECIFIED.
 - ALL CAPACITORS ARE IN MICROFARADS UNLESS OTHERWISE SPECIFIED.
 - CHANNEL 2 CIRCUITRY IS IDENTICAL TO CHANNEL 1

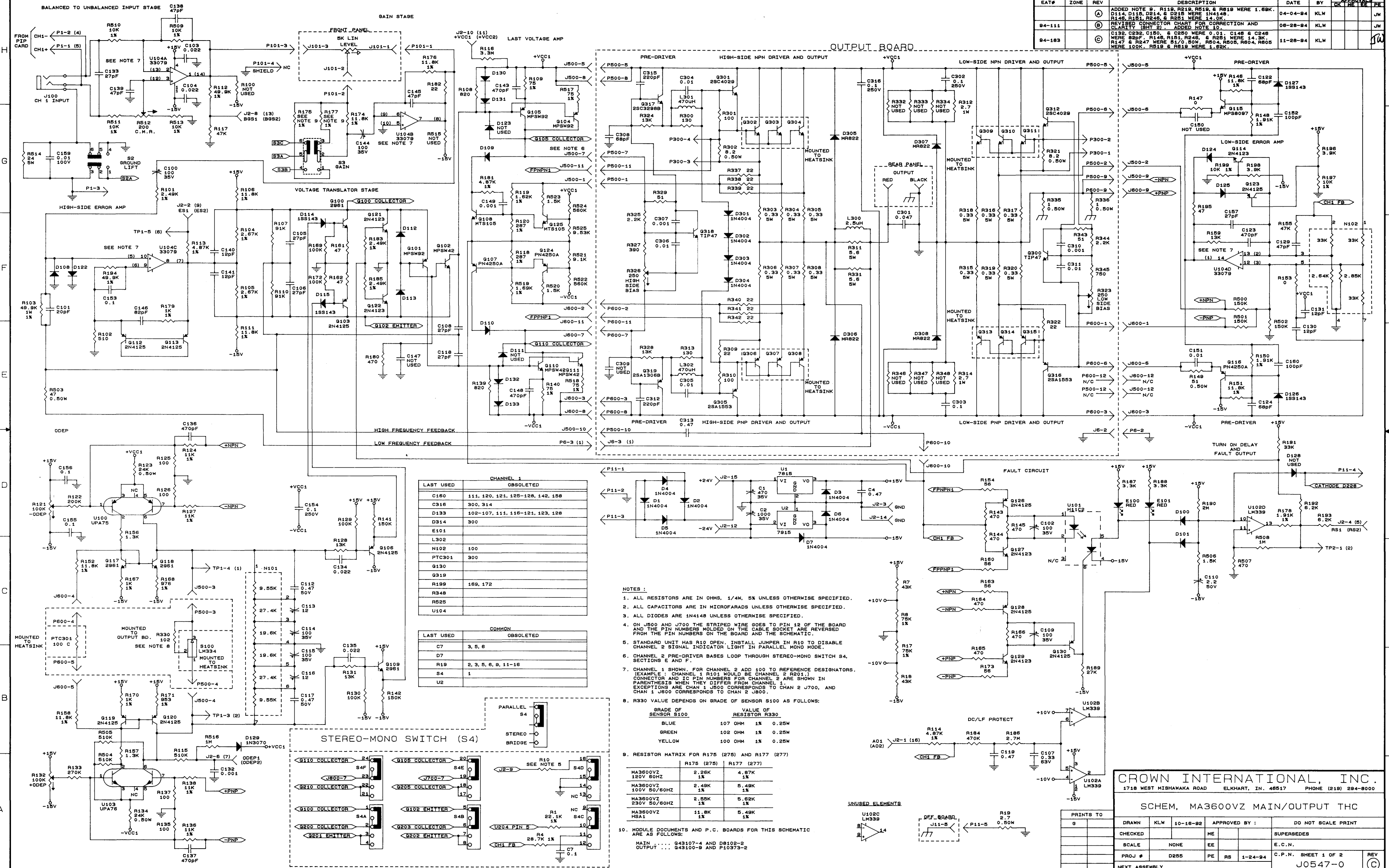
CROWN INTERNATIONAL, INC.
 1718 WEST MISHAWAKA ROAD ELKHART, IN. 46517 PHONE (219) 294-8000

SCM, MA3600VZ BILEVEL SWITCH

PRINTS TO	DRAWN	KLW	04-12-91	APPROVED BY :	DO NOT SCALE PRINT
G	CHECKED	JF	4-15-91	ME	SUPERSEDES X4395
	SCALE	NONE		EE	E.C.N.
	PROJ #	D255		PE RGG	4-15-91
	NEXT ASSEMBLY				J0453-1

REV (A)

10 9 8 7 6 5 4 3 2 1



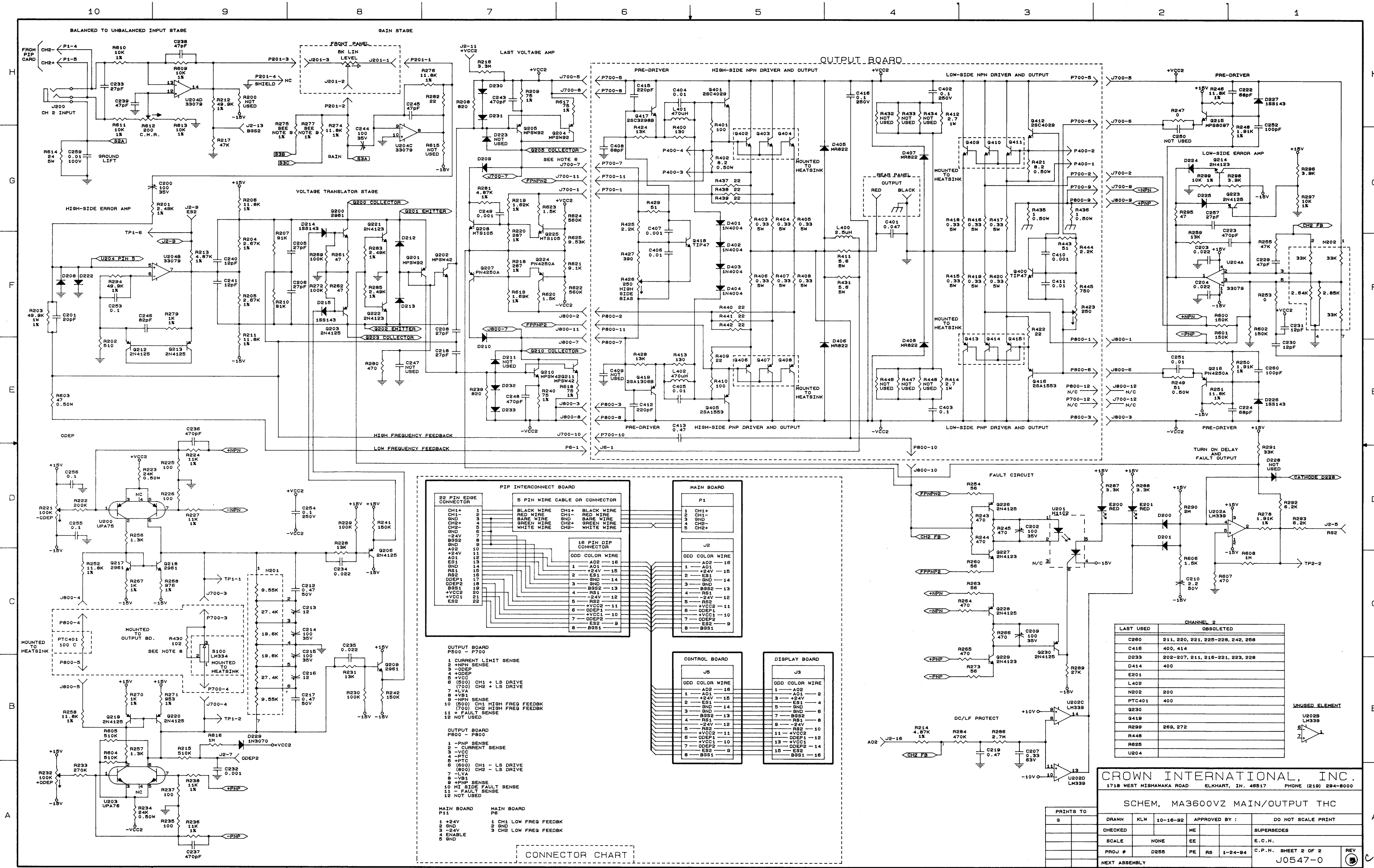
EAT#	ZONE	REV	DESCRIPTION	DATE	BY	CHK	APP	PE
		(A)	ADDED NOTE 8. R115, R215, R515, & R519 WERE 1.69K. D114, D115, D214, & D215 WERE 1N4148.	04-04-84	KLV			JM
		(B)	REVISED CONNECTOR CHART FOR CORRECTION AND CLARITY (SHT 2). ADDED NOTE 10.	08-28-84	KLV			JM
		(C)	C132, C232, C150, & C250 WERE 0.01. C148 & C248 WERE 82PF. R145, R151, R245, & R251 WERE 14.3K. R147 & R247 WERE 511.0 OHM. R604, R605, R604, R605 WERE 100K. R515 & R519 WERE 1.82K.	11-28-84	KLV			JM

CROWN INTERNATIONAL, INC.
 1718 WEST MISHAWAKA ROAD ELKHART, IN. 46517 PHONE (219) 294-8000

SCHEM, MA3600VZ MAIN/OUTPUT THC

PRINTS TO	9
DRAWN	KLM 10-18-82
CHECKED	HE
SCALE	NONE
PROJ #	D255
NEXT ASSEMBLY	

APPROVED BY:	DO NOT SCALE PRINT
EE	SUPERSEDES
ME	E.C.N.
RS	C.P.N. SHEET 1 OF 2
REV	J0547-0



LAST USED		OBSOLETE	
C860	211, 220, 221, 225-228, 242, 258		
C416	400, 414		
D233	202-207, 211, 216-221, 223, 228		
D414	400		
E201			
L402			
N202	200		
PTC401	400		
Q230			
Q419			
R299	269, 272		
R448			
R625			
U204			

CROWN INTERNATIONAL, INC.
 1718 WEST MISHAWAKA ROAD ELKHART, IN. 46517 PHONE (219) 294-8000

SCHEM, MA3600VZ MAIN/OUTPUT THC

PRINTS TO	0
DRAWN	KLW
CHECKED	ME
SCALE	NONE
PROJ #	D255
NEXT ASSEMBLY	

APPROVED BY: _____ DO NOT SCALE PRINT

SUPERSEDES: _____ E. C. N.

1-24-94 C.P.N. SHEET 2 OF 2 REV J0547-0