



TB 240 Mains Booster For AE Techron 8504 Amplifiers

Features

- Increases 208V single-phase AC mains to 240 VAC
- Enables increased output voltage of up to 400 Vp when operating the 8504 amplifier from 208 VAC mains
- Prewired, ready to go out of the box

The AE Techron TB 240 is an AC Mains Booster designed to allow customers who have access to 208 VAC but not 240 VAC single-phase mains, and need voltages over 200 Vp from their AE Techron 8504 amplifier, to get voltages up to 400 Vp from the amplifier.

The 8504 amplifier has a linear power supply that produces voltages that are proportional to the input voltages it is presented. The 8504 will produce the same total power from any AC mains voltage from 208V to 240V at output voltages of up to about 200 V_{RMS} . AC mains voltages below the optimal (240 VAC) will need to be increased if higher output voltages than 200 V_{RMS} are needed,

The TB 240 will increase a 208 VAC mains by approximately 15% (to 240 VAC). This will enable the output voltage of the 8504 to increase by an additional 15% (at power levels of up to 4000 watts continuous) and to achieve a no-load voltage of approximately 280 V_{RMS} (400 Vp).

The TB 240 uses an autotransformer concept to boost AC Mains voltages while maintaining a small, low-cost form factor. The TB 240 is correctly sized and prewired to be ready right out of the box for you to wire and go from your facility's 208 VAC single-phase AC mains to your 8504 power amplifier.

Specifications

Maximum Secondary Amperage:

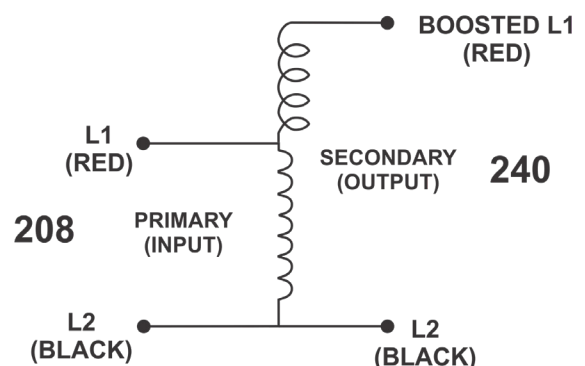
31.2 amps

Approximate Shipping Weight:

28 lbs. (12.73 kg)

Dimensions (HxWxD):

10.0 in. x 6.0 in. x 5.0 in. (25.4 cm x 15.24 cm x 12.7 cm)



AE Techron Sales Representative