



CROWN[®]
THE PROFESSIONAL AUDIO DIVISION OF CROWN INTERNATIONAL, INC.

COM-TECH[®]
Service Manual

Models:
Com-Tech 810 & 1610

Some models may be exported under the name *Amcron*[®]

© 1998 by Crown International, Inc., P.O. Box 1000, Elkhart, Indiana 46515-1000 U.S.A. Telephone: 219-294-8000. *Com-Tech* amplifiers are produced by the Professional Audio Division of Crown International, Inc. Trademark Notice: *SmartAmp*[™] and *Grounded Bridge*[™] are trademarks and *Amcron*[®], *Crown*[®], *Com-Tech*[®], *IOC*[®], *ODEP*[®], *IQ System*[®], *P.I.P.*[®] and *TEF*[®] are registered trademarks of Crown International, Inc. Other trademarks are the property of their respective owners.

**120 VAC North
American Units:**



Commercial Audio
E106377



For
Canada

The information furnished in this manual does not include all of the details of design, production, or variations of the equipment. Nor does it cover every possible situation which may arise during installation, operation or maintenance. If you need special assistance beyond the scope of this manual, please contact the Crown Technical Support Group.

Mail: P.O. Box 1000, Elkhart IN 46515-1000

Shipping: Plant 2 SW, 1718 W. Mishawaka Rd., Elkhart, IN 46517

Phone: (800) 342-6939/(219) 294-8200

FAX: (219) 294-8301

CAUTION

TO PREVENT ELECTRIC SHOCK DO NOT REMOVE TOP OR BOTTOM COVERS. NO USER SERVICEABLE PARTS INSIDE. REFER SERVICING TO QUALIFIED SERVICE PERSONNEL. DISCONNECT POWER CORD BEFORE REMOVING REAR INPUT MODULE TO ACCESS GAIN SWITCH.

AVIS

À PRÉVENIR LE CHOC ÉLECTRIQUE N'ENLEVEZ PAS LES COUVERTURES. RIEN DES PARTIES UTILES À L'INTÉRIEUR. DÉBRANCHER LA BORNE AVANT D'OUVRIER LA MODULE EN ARRIÈRE.



WARNING

TO REDUCE THE RISK OF ELECTRIC SHOCK, DO NOT EXPOSE THIS EQUIPMENT TO RAIN OR MOISTURE!

Table of Contents

| | |
|---|-----|
| 1 Introduction | 1-1 |
| 1.1 The Com-Tech Series | 1-1 |
| 1.2 Warranty | 1-1 |
| 2 Specifications | 2-1 |
| 2.1 Performance | 2-1 |
| 2.2 Power | 2-1 |
| 2.3 Controls | 2-1 |
| 2.4 Indicators | 2-2 |
| 2.5 Input/Output | 2-2 |
| 2.6 Output Signal | 2-2 |
| 2.7 Protection | 2-2 |
| 2.8 Construction | 2-2 |
| 3 AC Power Draw and Thermal Dissipation | 3-1 |
| 4 AC Mains Voltage Conversion | 4-1 |
| 4.1 Com-Tech Voltage Conversion | 4-1 |
| 4.1.1 120 VAC, 60 Hz Units | 4-1 |
| 4.1.2 100/120 VAC Export Units | 4-1 |
| 4.1.3 220/240 VAC Export Units | 4-1 |
| 5 Theory | 5-1 |
| 5.1 Overview | 5-1 |
| 5.2 Front End Operation | 5-1 |
| 5.2.1 Balanced Gain Stage (BGS) | 5-1 |
| 5.2.2 Variable Gain Stage (VGS) | 5-1 |
| 5.2.3 Error Amp | 5-2 |
| 5.3 Voltage Amplification | 5-2 |
| 5.3.1 Voltage Translators | 5-2 |
| 5.3.2 Last Voltage Amplifiers (LVAs) | 5-2 |
| 5.4 Grounded Bridge Topology | 5-3 |
| 5.4.1 High Side (HS) | 5-3 |
| 5.4.2 Low Side (LS) | 5-4 |
| 5.5 Output Device Emulation Protection (ODEP) | 5-4 |

| | |
|---|-----|
| 5.6 Dual Operation | 5-6 |
| 5.7 Bridge-Mono Operation | 5-6 |
| 5.8 Parallel-Mono Operation | 5-6 |
| | |
| 6 Electrical Checkout Procedures | 6-1 |
| 6.1 General Information | 6-1 |
| 6.2 Test Procedures | 6-1 |
| 6.2.1 Standard Initial Conditions | 6-1 |
| 6.2.2 Turn On Delay | 6-1 |
| 6.2.3 Output Bias Adjustment | 6-1 |
| 6.2.4 ODEP Voltage Adjustment | 6-1 |
| 6.2.5 DC Offset | 6-1 |
| 6.2.6 Quiescent Power Draw | 6-2 |
| 6.2.7 Voltage Gain | 6-2 |
| 6.2.8 Current Sense Calibration | 6-2 |
| 6.2.9 Common Mode Rejection | 6-2 |
| 6.2.10 Current Limit | 6-2 |
| 6.2.11 10 kHz Square Wave Response | 6-2 |
| 6.2.12 20 kHz Crosstalk | 6-3 |
| 6.2.13 Output Power | 6-3 |
| 6.2.14 ODEP Limiting | 6-3 |
| 6.2.15 Fan Operation (optional in Com-Tech 210) | 6-3 |
| 6.2.16 LF Protection | 6-4 |
| 6.2.17 Signal to Noise | 6-4 |
| 6.2.18 Intermodulation Distortion (IMD) | 6-4 |
| 6.2.19 Displays | 6-4 |
| 6.2.20 Auto Standby Operation | 6-4 |
| 6.2.21 Post Testing | 6-4 |
| | |
| 7 Exploded Views | 7-1 |
| | |
| 8 Schematics and Module Documentation | 8-1 |

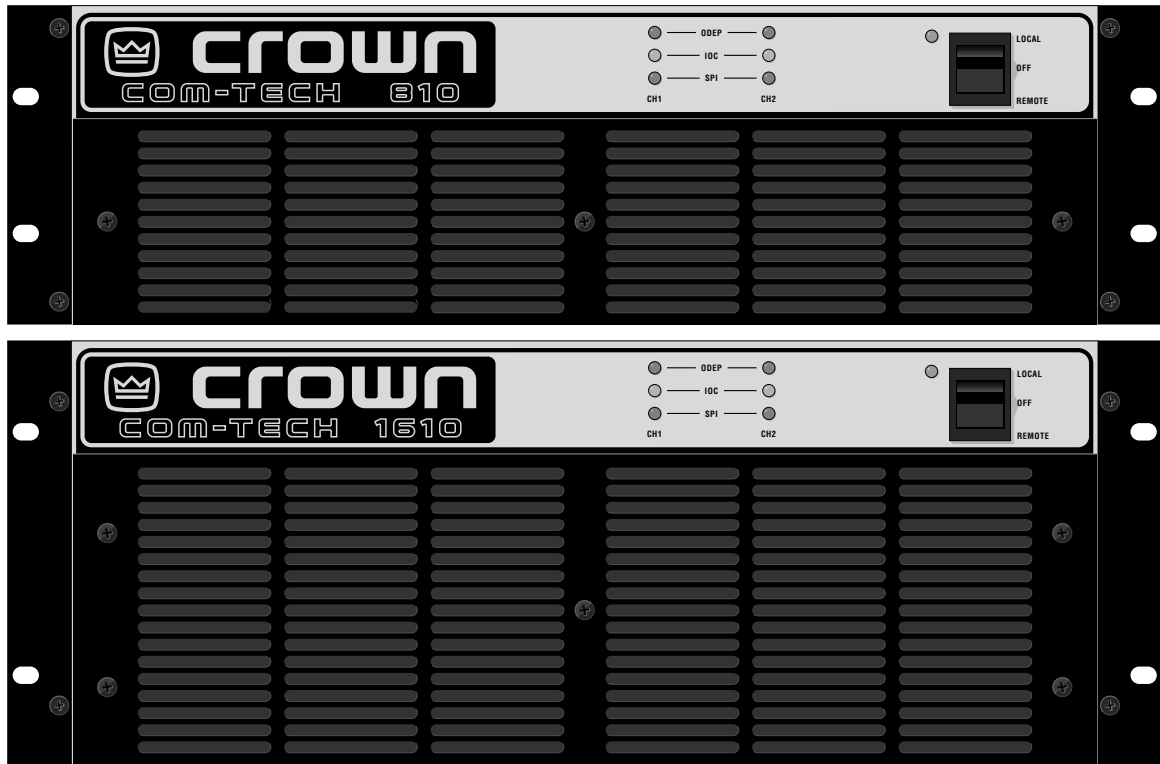


Figure 1.1 Com-Tech 810 and 1610 front panels

1 Introduction

This manual contains service information for the Crown *Com-Tech-10 Series* power amplifiers. It is designed to be used in conjunction with the *Com-Tech Reference Manual*. Some important information is, however, duplicated in this Service Manual in case the Reference Manual is not readily available.

NOTE: THE INFORMATION IN THIS MANUAL IS INTENDED FOR USE BY AN EXPERIENCED TECHNICIAN ONLY!

1.1 The Com-Tech Series

The *Com-Tech* series is a complete family of amplifiers with a wide range of power output capabilities. *Com-Tech* amplifiers can directly drive "constant voltage" lines, so you can avoid the expense, distortion and insertion loss associated with step-up transformers for distributed loudspeaker systems. *Com-Tech* amplifiers also utilize Crown's patented *ODEP*[®] protection circuitry, which keeps the amplifier working under severe conditions that would shut down a lesser amplifier. All *Com-Tech* amplifiers feature Crown's exclusive *P.I.P.*[®] (Programmable Input Processor) expansion system. The *P.I.P.* expansion system makes it easy to tailor your amplifier to a specific application or to add future technology as it develops.

1.2 Warranty

Each Reference Manual contains basic policies as related to the customer. For further assistance please contact the Crown Technical Support Group at:

Crown International, Inc.
Mailing: PO Box 1000
 Elkhart, IN 46515-1000
 or
Shipping: Plant 2 S.W.
 1718 W. Mishawaka Rd.
 Elkhart, IN 46517

Toll Free: (800) 342-6939
 Phone: (219) 294-8200
 FAX: (219) 294-8301
 Web: www.crownaudio.com

This page intentionally left blank.

2 Specifications

The following specifications apply to all models in Dual mode with 8-ohm loads and an input sensitivity of 26 dB unless otherwise specified.

MAP at 1 kHz: This term refers to maximum average power in watts at 1 kHz with 0.1% THD.

Full Bandwidth Power: This term refers to maximum average power in watts from 20 Hz to 20 kHz with 0.1% THD.

120 VAC, 60 Hz Units: These North American units have dedicated transformers for 120 VAC, 60 Hz power mains.

100/120 VAC Units: These units have two-tap transformers that accept a 50- or 60-Hz AC line, and can be configured for 100 or 120 VAC mains.

220/240 VAC Units: These units have two-tap transformers that accept a 50- or 60-Hz AC line, and can be configured for 220 or 240 VAC mains.

2.1 Performance

Frequency Response: ± 0.1 dB from 20 Hz to 20 kHz at 1 Watt (See Figure 2.1).

Phase Response: ± 10 degrees from 10 Hz to 20 kHz at 1 Watt (See Figure 2.4).

Hum and Noise: A-weighted, 105 dB below full bandwidth power; No weighting, 100 dB below full bandwidth power.

Total Harmonic Distortion (THD): Less than 0.05% at full power from 20 Hz to 1 kHz increasing linearly to 0.1% at 20 kHz.

Intermodulation Distortion (IMD): (60 Hz and 7 kHz 4:1) Less than 0.05% from -35 dB to full power bandwidth.

Damping Factor: Greater than 1000 from 10 Hz to 400 Hz (See Figure 2.2).

Crosstalk: Greater than 70 dB down at 10 kHz. (See Figure 2.5).

Common Mode Rejection Ratio (CMRR): Better than 70 dB.

Slew Rate: Greater than 17 volts per microsecond.

Voltage Gain: (At the maximum level setting) 20:1 $\pm 3\%$ or 26 dB ± 0.25 dB. 90:1 $\pm 12\%$ or 39 dB ± 1 dB with the input sensitivity set to 0.775 volts for 70 volt output. The following

voltage gain specifications are for units with the input sensitivity set to 0.775 volts for 8/4 ohm output:

Com-Tech 810: 64:1 $\pm 12\%$ or 36 dB ± 1 dB.

Com-Tech 1610: 85:1 $\pm 12\%$ or 39 dB ± 1 dB.

2.2 Power

Output Power: See the minimum Guaranteed Power table in Figures 2.6-7 for the output power specifications under a variety of conditions.

It is extremely important to supply the amplifier with adequate AC power. Power amplifiers cannot add power—they need the required voltage and current to deliver the undistorted rated wattages you expect.

Load Impedance: Safe with all types of loads. With 8/4 ohm output, all *Com-Techs* are rated for 4 to 8 ohms in Dual mode, 8 to 16 ohms in Bridge-Mono mode, and 2 to 4 ohms in Parallel-Mono mode. With a 70 volt output, rated loads vary among the different models for each dual/mono mode (see the power matrices that follow).

AC Power Requirements: All units require less than 90 watts at idle. See Section 3 for detailed information on AC power requirements and thermal dissipation.

Low-Voltage Power Supply: ± 15 VDC regulated supplies are provided by a winding on the power transformer.

Power Cord: An appropriate AC line cord is provided with a nominal cable length of 3 feet.

2.3 Controls

Enable: A front panel rocker switch used to turn the amplifier on and off, and to enable the remote feature.

Input Attenuation: A detented 21-position back panel Input Attenuation control for each channel.

Output Mode: A back panel switch for each channel used to select 8/4-ohm or 70-volt output.

Dual/Mono: A 3-position back panel switch used to select Dual, Bridge-Mono or Parallel-Mono operation.

Reset: A back panel push button used to reset the amplifier's AC mains breaker.

Input Sensitivity: A three-position switch inside the *P.I.P.* compartment used to select an input sensitivity for both channels: 0.775 volts for MAP at 1 kHz in 8/4 ohm mode, 0.775 volts for MAP at 1 kHz in 70-volt mode, or a voltage gain of 26 dB.

2.4 Indicators

Enable: This amber indicator shows the on/off status of the unit's low-voltage power supply and the activation of the energy-saving mode.

SPI (Signal Presence Indicator): Each channel has a green indicator that flashes to show audio output.

IOC (Input/Output Comparator): Each channel has a yellow indicator that flashes if the output waveform differs from the input waveform by 0.05% or more. The LEDs act as sensitive distortion indicators to provide proof of distortion-free performance.

ODEP (Output Device Emulation Protection): Each channel has a green multifunction indicator that shows the channel's reserve energy status. Normally, the LEDs are brightly lit to show that reserve energy is available. In the rare event that a channel has no reserve, its indicator will dim in proportion to ODEP limiting.

2.5 Input/Output

Input Connector: A barrier block on the standard PIP2-BB with three-terminal balanced connections for input to each channel and test points for a DVM.

Input Impedance: Nominally 20 K ohms, balanced. Nominally 10 K ohms, unbalanced.

Input Sensitivity: Settings include 0.775 volts for 8/4-ohm output, 0.775 volts for 70-volt output, and a voltage gain of 26 dB.

Output Connector: A back panel barrier block with two-terminal connections for each output channel.

Output Impedance: Less than 10 milliohms in series with less than 2 microhenries (see Figure 2.3).

DC Output Offset: Less than ± 10 millivolts.

RSVP: An RJ11 modular connector on the back panel interfaces with an RSVP to provide remote control of amplifier power on/off functions.

2.6 Output Signal

Dual: Unbalanced, two-channel.

Bridge-Mono: Balanced, single-channel. Channel 1 controls are active; Channel 2 should be turned down. Channel 1 red terminal is positive, referenced to ground, when the input is positive.

Parallel-Mono: Unbalanced, single-channel. Channel 1 controls are active; Channel 2 is bypassed.

2.7 Protection

Com-Tech amplifiers are protected against shorted, open or mismatched loads; overloaded power supplies; excessive temperature, chain destruction phenomena, input overload damage and high-frequency blowups. It also protects loudspeakers from input/output DC and turn-on/turn-off transients.

If unreasonable operating conditions occur, the patented ODEP circuitry proportionally limits the drive level to protect the output devices, particularly in the case of elevated temperature. Transformer overheating results in a temporary shutdown of both channels. The transformer automatically resets itself when it has cooled to a safe temperature. Controlled by slew rate, voltage amplifiers protect against RF burnouts, and input overload protection is provided by current-limiting resistance at the input.

Turn On: The four-second turn on delay prevents dangerous turn-on transients. "Soft-start" circuitry provides low inrush so power sequencers are rarely needed with multiple units. *Note: The turn-on delay time may be changed. Contact Crown's Technical Support Group for details.*

Circuit Breaker: Circuit breaker current ratings vary based on the Com-Tech model and AC mains voltage.

All 100/120 VAC Units:

Com-Tech 810: 20 amperes.

Com-Tech 1610: 30 amperes.

All 220/240 VAC Units:

Com-Tech 810: 10 amperes.

Com-Tech 1610: 20 amperes.

2.8 Construction

Durable black powdercoat finish on the steel chassis, front panel Lexan overlay, and specially-designed flow-through ventilation from front to side panels.

Cooling: Internal heat exchangers with on-demand forced air cooling (fan is optional for the North American Com-Tech 210).

Dimensions: 19 inch (48.3 cm) standard rack mount width (EIA RS-310-B), 16 inch (40.6 cm) depth behind mounting surface, and 0.25 inches (0.6 cm) in front of mounting surface. Amplifier height varies among the available models and with different AC power requirements (see Figure 2.10).

Height A: 3.5 inches (8.9 cm)

Models: Com-Tech 210 (All)

Com-Tech 410 (North American)

Height B: 5.25 inches (13.3 cm)
 Models: *Com-Tech 410* (100/120 VAC, 50/60 Hz)
Com-Tech 410 (220/240 VAC, 50/60 Hz)
Com-Tech 810 (All)

Height C: 7 inches (17.8 cm)
 Model: *Com-Tech 1610* (All)

Approximate Weight: Center of gravity is 6 inches (15.2 cm) behind the front mounting surface.

120 VAC, 60 Hz North American Units:
Com-Tech 810: 47 pounds, 4 ounces
 (21.5 kg) net; 50 pounds, 8 ounces
 (22.9 kg) shipping weight.

Com-Tech 1610: 57 pounds, 14 ounces
 (26.3 kg) net; 66 pounds, 10 ounces
 (30.2 kg) shipping weight.

100/120 VAC, 50/60 Hz Units:
Com-Tech 810: 45 pounds, 1 ounce
 (20.5 kg) net; 49 pounds, 10 ounces
 (22.5 kg) shipping weight.

Com-Tech 1610: 54 pounds, 11 ounces
 (24.8 kg) net; 64 pounds, 3 ounces
 (29.1 kg) shipping weight.

220-240 VAC, 50/60 Hz Units:
Com-Tech 810: 45 pounds, 4 ounces
 (20.5 kg) net; 49 pounds, 13 ounces
 (22.6 kg) shipping weight.

Com-Tech 1610: 55 pounds, 2 ounces
 (25.0 kg) net; 64 pounds, 10 ounces
 (29.3 kg) shipping weight.

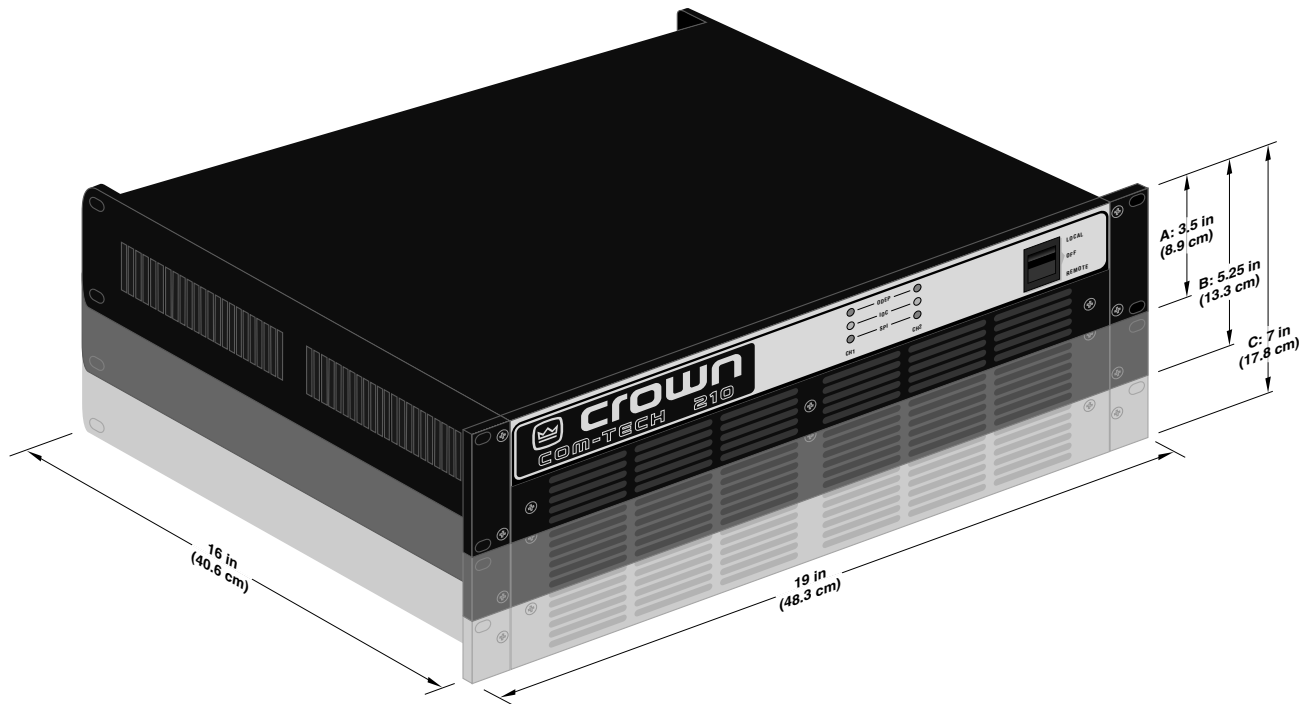


Figure 2.10 Mounting Dimensions

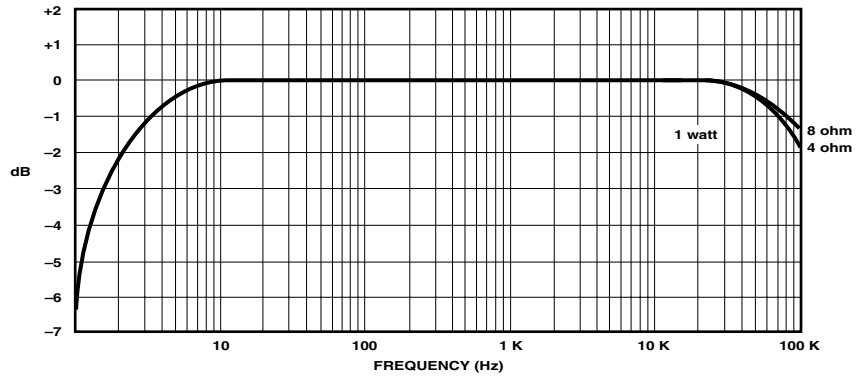


Figure 2.1 Typical Frequency Response

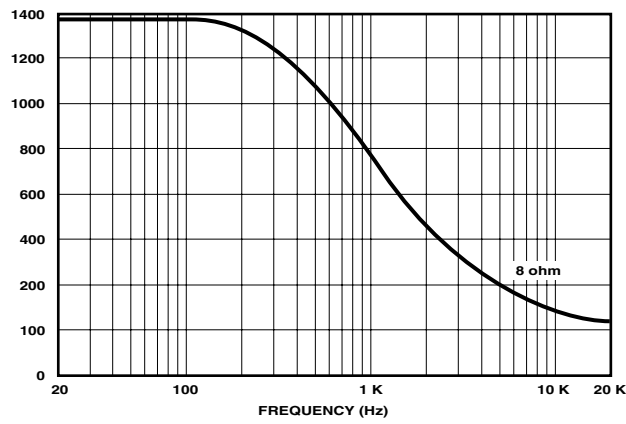


Figure 2.2 Typical Damping Factor

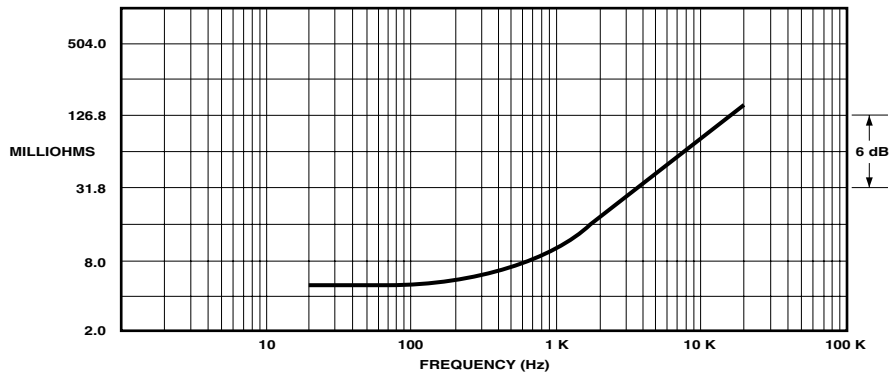
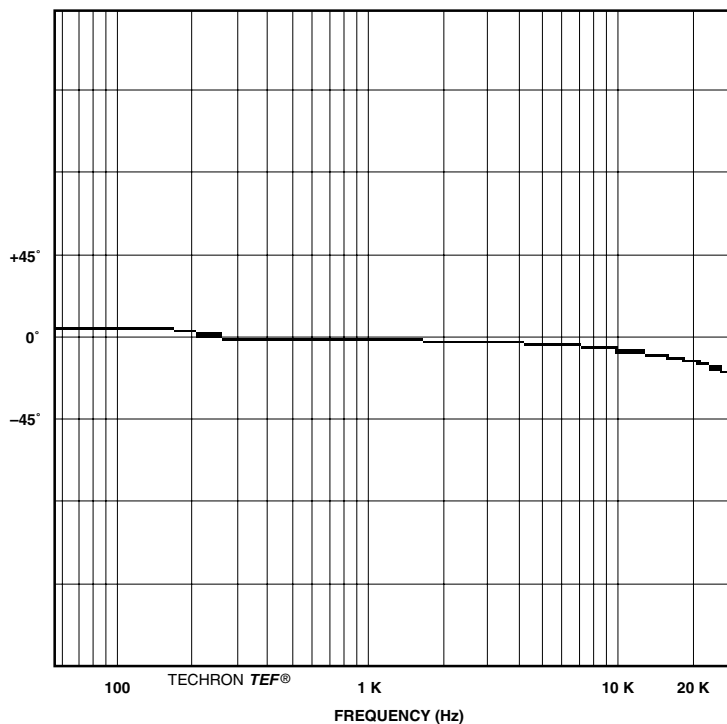
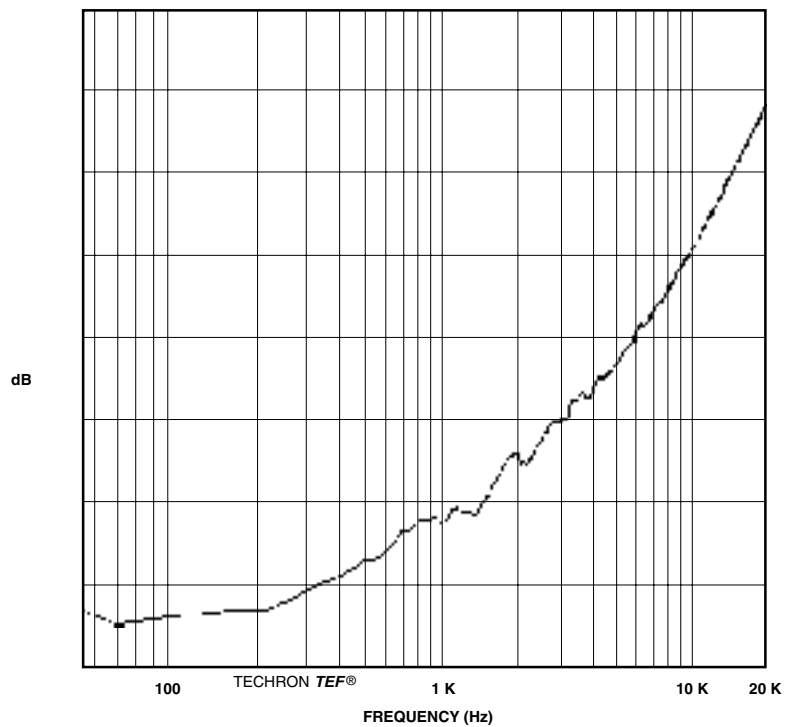


Figure 2.3 Typical Output Impedance



TEF®
Measurement

Figure 2.4 Typical Phase Response



TEF®
Measurement

Figure 2.5 Typical Crosstalk

Crown specifications are guaranteed for three years.

In an effort to provide you with as much information as possible about the high power-producing capabilities of your amplifier, we have created the following power matrices.

Minimum Guaranteed Power Specifications

Crown’s minimum power specifications represent the absolute smallest amount of output power you can expect from your amplifier when it is driven to full output under the given conditions. Some spaces in each matrix may be left blank because the same guarantee is not provided for those conditions—however, your amplifier will perform well under all conditions listed in each matrix.

When measuring power, 0.1% THD appears to be the industry standard for distortion. Two of the maximum average power specifications shown in each minimum power matrix are measured at 0.1% THD so you can easily compare Crown specifications to those of other manufacturers. But this high level of distortion actually allows for some clipping which is undesirable. Because of this, a maximum average power specification at 0.05% THD is included in each minimum power matrix which represents non-clipped conditions. Although most manufacturers do not give you power specifications at 0.05% THD, we encourage them to provide these specifications so you will have a more realistic representation of the way amplifiers should be used in the real world—without a clipped output signal.

Many manufacturers publish power specs with a tolerance of ± 1 dB or worse. This means their amplifier can deviate more than 20% in output! A 100 watt amplifier would meet their specification if it only produced 79.4 watts. Other manufacturers qualify their specs by saying they are “typical,” “subject to manufacturing tolerances,” “single channel driven” or that they are specified with “fuses bypassed.” Each of these statements effectively removes any performance guarantee. In fact, some manufacturers use these tactics to generate large power numbers, and they don’t even print a disclaimer. We take a different approach at Crown—our amplifiers are *guaranteed* to meet or exceed their specifications for three years. Further, because our published specs are set below our “in-house” measurements, you can expect every Crown amplifier to meet or exceed its published minimum power specs. We believe you should get what you pay for.

| Com-Tech 810 – Minimum Guaranteed Power (Watts) | | | | | | | |
|---|-------------------------------|---------------------------------|--------------------------|--------------------------|---------------------------|--------------------------|------------|
| AC Mains | Dual/Mono Mode | Load in Ohms (Constant Voltage) | Maximum Average | | | FTC Continuous Average | |
| | | | At 0.1% THD (See note 1) | At 0.1% THD (See note 2) | At 0.05% THD (See note 3) | At 0.1% THD (See note 4) | |
| | | | 1 kHz | 20Hz-20kHz | 1 kHz | 1 kHz | 20Hz-20kHz |
| 120 VAC, 60 Hz | Dual (both channels driven) | 4 | 490 | 460 | 480 | 470 | 455 |
| | | 8 | 305 | 295 | 300 | 300 | 290 |
| | | 12.5 (70V) | 460 | 455 | 455 | 450 | 445 |
| | Bridge-Mono (balanced output) | 8 | 975 | 935 | 965 | 950 | 905 |
| | | 16 | 610 | 600 | 605 | 605 | 600 |
| | | 25 (140V) | 920 | 905 | 905 | 905 | 880 |
| | Parallel-Mono | 2 | 965 | | 950 | 950 | |
| | | 4 | 610 | | 600 | 605 | |
| | | 6.25 (70V) | 915 | | 905 | 910 | |
| 100/120 VAC, 50/60 Hz | Dual (both channels driven) | 4 | 460 | 440 | 460 | 445 | 425 |
| | | 8 | 300 | 290 | 295 | 295 | 290 |
| | | 12.5 (70V) | 425 | 415 | 420 | 410 | 400 |
| | Bridge-Mono (balanced output) | 8 | 925 | 885 | 915 | 890 | 840 |
| | | 16 | 600 | 580 | 595 | 595 | 575 |
| | | 25 (140V) | 855 | 825 | 850 | 830 | 800 |
| | Parallel-Mono | 2 | 925 | | 920 | 895 | |
| | | 4 | 600 | | 595 | 595 | |
| | | 6.25 (70V) | 855 | | 845 | 830 | |
| 220/240 VAC, 50/60 Hz | Dual (both channels driven) | 4 | 485 | 470 | 485 | 465 | 450 |
| | | 8 | 310 | 305 | 310 | 310 | 300 |
| | | 12.5 (70V) | 440 | 430 | 435 | 425 | 420 |
| | Bridge-Mono (balanced output) | 8 | 965 | 920 | 955 | 930 | 875 |
| | | 16 | 620 | 605 | 615 | 615 | 600 |
| | | 25 (140V) | 885 | 855 | 875 | 865 | 840 |
| | Parallel-Mono | 2 | 940 | | 930 | 920 | |
| | | 4 | 615 | | 610 | 600 | |
| | | 6.25 (70V) | 875 | | 870 | 855 | |

they are “typical,” “subject to manufacturing tolerances,” “single channel driven” or that they are specified with “fuses bypassed.” Each of these statements effectively removes any performance guarantee. In fact, some manufacturers use these tactics to generate large power numbers, and they don’t even print a disclaimer. We take a different approach at Crown—our amplifiers are *guaranteed* to meet or exceed their specifications for three years. Further, because our published specs are set below our “in-house” measurements, you can expect every Crown amplifier to meet or exceed its published minimum power specs. We believe you should get what you pay for.

Minimum Power Notes:

All minimum power specifications are based on 0.5% regulated AC mains with THD of less than 1.0% and an ambient room temperature of 70° F (21° C). Standard EIA power (RS-490) is not shown here because it is identical to FTC Continuous Average Power.

1. A 1 kHz sine wave is presented to the amplifier and the output monitored for nonlinear distortion. The level is increased until THD reaches 0.1%. At this point, average power per channel is reported.
2. A sine wave is presented to the amplifier over the range from 20 Hz to 20 kHz and the output monitored for nonlinear distortion. The level at each frequency is increased until THD reaches 0.1%. At this point, average power per channel is reported.
3. A 1 kHz sine wave is presented to the amplifier and the output monitored for nonlinear distortion. The level is increased until THD reaches 0.05%. At this point, average power per channel is reported.
4. Continuous power in the context of Federal Trade Commission testing is understood to be a minimum of five minutes of operation. Harmonic distortion is measured as the RMS sum total and given as a percentage of the fundamental output voltage. This applies for all wattages greater than 0.25 watts.

Figure 2.6 Com-Tech 810 Minimum Power Matrix

| Com-Tech 1610 – Minimum Guaranteed Power (Watts) | | | | | | | |
|--|----------------------------------|------------------------------------|-----------------------------|-----------------------------|------------------------------|-----------------------------|------------|
| AC Mains | Dual/Mono Mode | Load in Ohms (Constant Voltage) | Maximum Average | | | FTC Continuous Average | |
| | | | At 0.1% THD (See note 1) | At 0.1% THD (See note 2) | At 0.05% THD (See note 3) | At 0.1% THD (See note 4) | |
| | | | 1 kHz | 20Hz-20kHz | 1 kHz | 1 kHz | 20Hz-20kHz |
| 120 VAC, 60 Hz | Dual (both channels driven) | 4 | 870 | 810 | 860 | 850 | |
| | | 8 | 540 | 520 | 535 | 540 | 510 |
| | | 6.25 (70V) | 960 | 910 | 955 | 960 | |
| | Bridge-Mono (balanced output) | 8 | 1745 | 1595 | 1725 | 1700 | |
| | | 16 | 1080 | 1040 | 1070 | 1075 | 1040 |
| | | 12.5 (140V) | 1805 | 1725 | 1795 | 1770 | |
| | Parallel-Mono | 2 | 1745 | | 1720 | 1690 | |
| | | 4 | 1080 | | 1070 | 1075 | |
| | | 3.13 (70V) | 1780 | | 1760 | 1745 | |
| 100/120 VAC, 50/60 Hz | Dual (both channels driven) | 4 | 815 | 775 | 805 | | |
| | | 8 | 535 | 515 | 530 | 530 | 510 |
| | | 6.25 (70V) | 860 | 830 | 850 | 815 | |
| | Bridge-Mono (balanced output) | 8 | 1625 | 1545 | 1615 | | |
| | | 16 | 1070 | 1035 | 1060 | 1055 | 1020 |
| | | 12.5 (140V) | 1700 | 1640 | 1695 | 1625 | |
| | Parallel-Mono | 2 | 1660 | | 1640 | | |
| | | 4 | 1080 | | 1070 | 1060 | |
| | | 3.13 (70V) | 1700 | | 1690 | 1620 | |
| 220/240 VAC, 50/60 Hz | Dual (both channels driven) | 4 | 840 | 785 | 840 | | |
| | | 8 | 545 | 525 | 540 | 540 | 505 |
| | | 6.25 (70V) | 875 | 755 | 870 | 850 | |
| | Bridge-Mono (balanced output) | 8 | 1675 | 1550 | 1665 | | |
| | | 16 | 1090 | 910 | 1075 | 1070 | 900 |
| | | 12.5 (140V) | 1755 | 1315 | 1745 | 1710 | |
| | Parallel-Mono | 2 | 1650 | | 1635 | | |
| | | 4 | 1075 | | 1065 | 1065 | |
| | | 3.13 (70V) | 1745 | | 1735 | 1715 | |

Figure 2.7 Com-Tech 1610 Minimum Power Matrix

Maximum Power Specifications

Crown’s maximum power specifications represent the largest amount of output power you can expect from your amplifier when it is driven to full output under the given conditions. These specifications can be used to prevent loudspeaker and hearing damage.

The maximum power matrices include specifications for single cycle and 40-millisecond burst sine waves. Burst signals act like large transient peaks that are present in common source signals. Loudspeakers can respond to a single cycle burst, so the single cycle burst specifications should be used to help you protect your loudspeakers. In contrast, a 40 millisecond burst represents the typical response time of the human ear. Your ear will not respond to the entire dynamic change of a burst that lasts less than 40 milliseconds.

The burst power specifications are provided at 0.05% THD which is a practical low distortion condition. Operating the amplifier at levels higher than 0.05% THD can result in output power levels that are higher than those listed in the maximum power matrices.

| Com-Tech 810 – Maximum Power (Watts) | | | | | | | | | |
|--------------------------------------|----------------------------------|---------------------------------|---|--------------------------------|-------|-------|---|-------|-------|
| AC Mains | Dual/Mono Mode | Load in Ohms (Constant Voltage) | Single Cycle Tone Burst At less than 0.05% THD (See note 1) | | | | 40 Millisecond Tone Burst At 0.05% THD (See note 2) | | |
| | | | 20 Hz | 50 Hz | 1 kHz | 7 kHz | 50 Hz | 1 kHz | 7 kHz |
| | | | 120 VAC, 60 Hz | Dual (both channels driven) | 4 | 515 | 575 | 695 | 690 |
| 8 | 320 | 340 | | | 385 | 375 | 320 | 300 | 310 |
| 12.5 (70V) | 480 | 530 | | | 590 | 575 | 480 | 455 | 475 |
| Bridge-Mono (balanced output) | 8 | 1010 | | 1120 | 1405 | 1385 | 1060 | 945 | 995 |
| | 16 | 640 | | 680 | 770 | 755 | 650 | 595 | 620 |
| | 25 (140V) | 980 | | 1045 | 1185 | 1145 | 960 | 910 | 955 |
| Parallel-Mono | 2 | 1060 | | 1160 | 1390 | 1380 | 1100 | 950 | 985 |
| | 4 | 645 | | 685 | 765 | 755 | 650 | 590 | 615 |
| | 6.25 (70V) | 975 | | 1045 | 1170 | 1135 | 985 | 910 | 945 |
| 100/120 VAC, 50/60 Hz | Dual (both channels driven) | 4 | 460 | 605 | 750 | 730 | 555 | 470 | 490 |
| | | 8 | 230 | 295 | 375 | 370 | 275 | 235 | 245 |
| | | 12.5 (70V) | 475 | 545 | 610 | 595 | 510 | 470 | 490 |
| | Bridge-Mono (balanced output) | 8 | 915 | 1195 | 1500 | 1480 | 1110 | 935 | 980 |
| | | 16 | 600 | 705 | 810 | 790 | 665 | 600 | 630 |
| | | 25 (140V) | 920 | 1085 | 1230 | 1190 | 990 | 910 | 955 |
| | Parallel-Mono | 2 | 900 | 1195 | 1485 | 1450 | 1075 | 920 | 960 |
| | | 4 | 600 | 700 | 805 | 780 | 660 | 600 | 625 |
| | | 6.25 (70V) | 915 | 1070 | 1210 | 1185 | 975 | 905 | 945 |
| 220/240 VAC, 50/60 Hz | Dual (both channels driven) | 4 | 475 | 610 | 755 | 740 | 570 | 485 | 500 |
| | | 8 | 305 | 360 | 405 | 395 | 340 | 305 | 320 |
| | | 12.5 (70V) | 475 | 545 | 615 | 590 | 505 | 475 | 490 |
| | Bridge-Mono (balanced output) | 8 | 930 | 1190 | 1530 | 1470 | 1095 | 945 | 985 |
| | | 16 | 605 | 705 | 815 | 785 | 675 | 605 | 635 |
| | | 25 (140V) | 920 | 1085 | 1225 | 1180 | 980 | 910 | 945 |
| | Parallel-Mono | 2 | 910 | 1185 | 1475 | 1415 | 1085 | 920 | 955 |
| | | 4 | 600 | 710 | 790 | 770 | 665 | 595 | 620 |
| | | 6.25 (70V) | 915 | 1080 | 1225 | 1175 | 985 | 910 | 940 |

Maximum Power Notes:

All maximum power specifications are based on 0.5% regulated AC mains with THD of less than 1.0% and an ambient room temperature of 70° F (21° C). Although it is an unusual condition, your amplifier can function well with AC mains voltages up to 10% over the specified line voltage. With overvoltage conditions, your amplifier may be capable of delivering instantaneous power levels up to 20% greater than the specifications in the matrix.

1. A single cycle sine wave is presented to the amplifier and monitored for nonlinear distortion. The average power during the burst is reported. Loudspeakers must be able to withstand this level if they are to be safely used with this amplifier.
2. A 40 millisecond sine wave burst (10 percent duty cycle) is presented to the amplifier and monitored for nonlinear distortion. Average power during the burst is reported. This power level is a measurement of the amplifier’s maximum transient power that can be perceived by the human ear.

Figure 2.8 Com-Tech 810 Maximum Power Matrix

| Com-Tech 1610 – Maximum Power (Watts) | | | | | | | | | |
|---------------------------------------|----------------------------------|------------------------------------|---|--------------------------------|-------|-------|---|-------|-------|
| AC Mains | Dual/Mono Mode | Load in Ohms (Constant Voltage) | Single Cycle Tone Burst At less than 0.05% THD (See note 1) | | | | 40 Millisecond Tone Burst At 0.05% THD (See note 2) | | |
| | | | 20 Hz | 50 Hz | 1 kHz | 7 kHz | 50 Hz | 1 kHz | 7 kHz |
| | | | 120 VAC, 60 Hz | Dual (both channels driven) | 4 | 780 | 1000 | 1245 | 1215 |
| 8 | 525 | 600 | | | 670 | 655 | 555 | 525 | 545 |
| 6.25 (70V) | 950 | 1035 | | | 1205 | 1170 | 925 | 875 | 905 |
| Bridge-Mono (balanced output) | 8 | 1600 | | 1995 | 2480 | 2420 | 1875 | 1670 | 1745 |
| | 16 | 1050 | | 1185 | 1330 | 1285 | 1145 | 1050 | 1090 |
| | 12.5 (140V) | 1770 | | 1980 | 2315 | 2225 | 1785 | 1675 | 1735 |
| Parallel-Mono | 2 | 1590 | | 1985 | 2465 | 2390 | 1830 | 1665 | 1715 |
| | 4 | 1140 | | 1170 | 1330 | 1300 | 1130 | 1045 | 1080 |
| | 3.13 (70V) | 1895 | | 2015 | 2375 | 2280 | 1880 | 1715 | 1780 |
| 100/120 VAC, 50/60 Hz | Dual (both channels driven) | 4 | 820 | 1060 | 1370 | 1335 | 1005 | 835 | 870 |
| | | 8 | 555 | 655 | 750 | 720 | 610 | 550 | 570 |
| | | 6.25 (70V) | 955 | 1100 | 1295 | 1255 | 1025 | 895 | 930 |
| | Bridge-Mono (balanced output) | 8 | 1635 | 2095 | 2700 | 2680 | 1930 | 1650 | 1735 |
| | | 16 | 1090 | 1285 | 1475 | 1440 | 1200 | 1080 | 1130 |
| | | 12.5 (140V) | 1895 | 2165 | 2550 | 2490 | 1985 | 1760 | 1825 |
| | Parallel-Mono | 2 | 1640 | 2105 | 2715 | 2630 | 1955 | 1655 | 1725 |
| | | 4 | 1090 | 1300 | 1470 | 1425 | 1195 | 1080 | 1120 |
| | | 3.13 (70V) | 1845 | 2110 | 2530 | 2430 | 1965 | 1745 | 1810 |
| 220/240 VAC, 50/60 Hz | Dual (both channels driven) | 4 | 800 | 1060 | 1295 | 1245 | 955 | 820 | 850 |
| | | 8 | 535 | 630 | 700 | 685 | 590 | 530 | 550 |
| | | 6.25 (70V) | 885 | 1025 | 1210 | 1165 | 960 | 845 | 875 |
| | Bridge-Mono (balanced output) | 8 | 1600 | 2060 | 2580 | 2520 | 1915 | 1630 | 1695 |
| | | 16 | 1055 | 1225 | 1410 | 1365 | 1155 | 1050 | 1095 |
| | | 12.5 (140V) | 1800 | 2115 | 2475 | 2395 | 1935 | 1720 | 1800 |
| | Parallel-Mono | 2 | 1615 | 2100 | 2585 | 2525 | 1920 | 1635 | 1700 |
| | | 4 | 1065 | 1230 | 1415 | 1380 | 1175 | 1055 | 1095 |
| | | 3.13 (70V) | 1855 | 2080 | 2450 | 2315 | 1940 | 1720 | 1785 |

Figure 2.9 Com-Tech 1610 Maximum Power Matrix

This page intentionally left blank.

3 AC Power Draw and Thermal Dissipation

“Soft-Start” inrush current limiting protects the house circuit breaker when several amps are turned on simultaneously.

This section provides detailed information about the amount of power and current drawn from the AC mains by the *Com-Tech* amplifiers and the amount of heat produced under various conditions. The calculations presented here are intended to provide a realistic and reliable depiction of the amplifier. The following assumptions or approximations were made:

- The amplifier’s available channels are loaded, and full power is being delivered.
- Amplifier efficiency at standard 1 kHz power is estimated to be 65%.
- In 8/4 ohm mode, typical quiescent power draw is 55 watts for the *Com-Tech 810* and 70 watts for the *Com-Tech 1610*.
- In 70 volt mode, typical quiescent power draw is 90 watts for the *Com-Tech 810* and 1610.
- When running at full speed, typical power draw for the internal fan is 11 watts for the *Com-Tech 810* and 17 watts for the *Com-Tech 1610*.
- Quiescent thermal dissipation is related .
- The estimated duty cycles take into account the typical crest factor for each type of source material.
- Duty cycle of pink noise is 50%.
- Duty cycle of highly compressed rock ‘n’ roll midrange is 40%.
- Duty cycle of rock ‘n’ roll is 30%.

- Duty cycle of background music is 20%.
- Duty cycle of continuous speech is 10%.
- Duty cycle of infrequent paging is 1%.

Here are the equations used to calculate the data presented in Figures 3.1 and 3.2:

$$\text{AC Mains Power Draw (watts)} = \frac{\text{Total output power with all channels driven (watts)} \times \text{Duty Cycle}}{\text{Amplifier Efficiency (.65)}} + \text{Quiescent Power Draw (watts)}$$

The value used for quiescent power draw includes both the amplifier’s quiescent power draw for the selected output mode and the power drawn by the fan if one is installed (these values are listed in the previous column). The following equation converts power draw in watts to current draw in amperes:

$$\text{Current Draw (amperes)} = \frac{\text{AC Mains Power Draw (watts)}}{\text{AC Mains Voltage} \times \text{Power Factor (.83)}}$$

The power factor of 0.83 is needed to compensate for the difference in phase between the AC mains voltage and current. The following equation is used to calculate thermal dissipation:

$$\text{Thermal Dissipation (btu/hr)} = \left(\frac{\text{Total output power with all channels driven (watts)} \times \text{Duty Cycle} \times .35}{\text{Amplifier Efficiency (.65)}} + \text{Quiescent Power Draw (watts)} \right) \times 3.415$$

The constant 0.35 is inefficiency (1.00–0.65) and the factor 3.415 converts watts to btu/hr. Thermal dissipation in btu is divided by the constant 3.968 to get kcal. If you plan to measure output power under real-world conditions, the following equation may also be helpful:

$$\text{Thermal Dissipation (btu/hr)} = \left(\frac{\text{Total measured output power from all channels (watts)} \times .35}{\text{Amplifier Efficiency (.65)}} + \text{Quiescent Power Draw (watts)} \right) \times 3.415$$

Com-Tech 810

| Duty Cycle | L O A D | | | | | | | | | | | | | | |
|------------|-----------------------------|---|-----------|---------------------|---------|--|---------------------|-----------|---------------------|---------|-----------------------------|---------------------|-----------|---------------------|---------|
| | AC Mains Power Draw (Watts) | 8 Ohm Dual / 16 Ohm Bridge-Mono / 4 Ohm Parallel-Mono | | | | 4 Ohm Dual / 8 Ohm Bridge-Mono / 2 Ohm Parallel-Mono | | | | 70 V | | | | | |
| | | Current Draw (Amps) | | Thermal Dissipation | | AC Mains Power Draw (Watts) | Current Draw (Amps) | | Thermal Dissipation | | AC Mains Power Draw (Watts) | Current Draw (Amps) | | Thermal Dissipation | |
| | | 100-120 V | 220-240 V | btu/hr | kcal/hr | | 100-120 V | 220-240 V | btu/hr | kcal/hr | | 100-120 V | 220-240 V | btu/hr | kcal/hr |
| 50% | 535 | 6.4 | 2.9 | 785 | 200 | 820 | 9.9 | 4.5 | 1125 | 285 | 810 | 9.7 | 4.4 | 1190 | 300 |
| 40% | 440 | 5.3 | 2.4 | 670 | 170 | 670 | 8.0 | 3.7 | 945 | 240 | 670 | 8.0 | 3.6 | 1020 | 260 |
| 30% | 350 | 4.2 | 1.9 | 560 | 140 | 520 | 6.2 | 2.8 | 765 | 195 | 525 | 6.3 | 2.9 | 850 | 215 |
| 20% | 255 | 3.0 | 1.4 | 450 | 115 | 370 | 4.4 | 2.0 | 585 | 150 | 385 | 4.6 | 2.1 | 680 | 170 |
| 10% | 160 | 1.9 | 0.9 | 335 | 85 | 220 | 2.6 | 1.2 | 405 | 100 | 245 | 2.9 | 1.3 | 510 | 130 |

Figure 3.1 *Com-Tech 810 Power Draw, Current Draw and Thermal Dissipation at Various Duty Cycles*

Com-Tech 1610

| Duty Cycle | L O A D | | | | | | | | | | | | | | |
|------------|-----------------------------|---|-----------|---------------------|---------|--|---------------------|-----------|---------------------|---------|-----------------------------|---------------------|-----------|---------------------|---------|
| | AC Mains Power Draw (Watts) | 8 Ohm Dual / 16 Ohm Bridge-Mono / 4 Ohm Parallel-Mono | | | | 4 Ohm Dual / 8 Ohm Bridge-Mono / 2 Ohm Parallel-Mono | | | | 70 V | | | | | |
| | | Current Draw (Amps) | | Thermal Dissipation | | AC Mains Power Draw (Watts) | Current Draw (Amps) | | Thermal Dissipation | | AC Mains Power Draw (Watts) | Current Draw (Amps) | | Thermal Dissipation | |
| | | 100-120 V | 220-240 V | btu/hr | kcal/hr | | 100-120 V | 220-240 V | btu/hr | kcal/hr | | 100-120 V | 220-240 V | btu/hr | kcal/hr |
| 50% | 920 | 11.1 | 5.0 | 1300 | 330 | 1435 | 17.3 | 7.8 | 1915 | 485 | 1590 | 19.1 | 8.7 | 2140 | 540 |
| 40% | 755 | 9.1 | 4.1 | 1100 | 280 | 1165 | 14.0 | 6.4 | 1590 | 400 | 1295 | 15.6 | 7.1 | 1790 | 450 |
| 30% | 590 | 7.1 | 3.2 | 905 | 230 | 895 | 10.8 | 4.9 | 1270 | 320 | 1000 | 12.0 | 5.5 | 1435 | 365 |
| 20% | 425 | 5.1 | 2.3 | 705 | 180 | 630 | 7.6 | 3.4 | 950 | 240 | 700 | 8.4 | 3.8 | 1085 | 275 |
| 10% | 260 | 3.1 | 1.4 | 510 | 130 | 360 | 4.3 | 2.0 | 630 | 160 | 405 | 4.9 | 2.2 | 730 | 185 |

Figure 3.2 *Com-Tech 1610 Power Draw, Current Draw and Thermal Dissipation at Various Duty Cycles*

4 AC Mains Voltage Conversion

4.1 Com-Tech Voltage Conversion

Due to Crown's distribution of *Com-Tech* amplifiers all over the world, not all of these amplifiers are built with the same power supply components. Refer to the following text to see if your unit is compatible with the voltage you need. See figure 4.1 for Control PCA layout.

4.1.1 120 VAC, 60 Hz Units

These North American units have dedicated transformers for 120 VAC, 60 Hz power mains. These units are not convertible for use at any other voltage or frequency.

4.1.2 100/120 VAC Export Units

These units have two-tap transformers that accept a 50 or 60 Hz AC line, and can be configured for 100 or 120 VAC. To convert from one voltage to another, switch

the BLK/RED and BLK/WHT wires. Refer to the following chart.

| Control Board Wiring | | |
|----------------------|--------------------|---------|
| Line Voltage | Wiring Connections | |
| | BLK/RED | BLK/WHT |
| 100V | W9 | W2 |
| 120V | W2 | W9 |

4.1.3 220/240 VAC Export Units

These units have two-tap transformers that accept a 50 or 60 Hz line, and can be configured for 220 or 240 VAC. To convert from one voltage to another, switch the BLK/YEL and BLK/WHT wires. Refer to the following chart.

| Control Board Wiring | | |
|----------------------|--------------------|---------|
| Line Voltage | Wiring Connections | |
| | BLK/YEL | BLK/WHT |
| 220V | W9 | W2 |
| 240V | W2 | W9 |

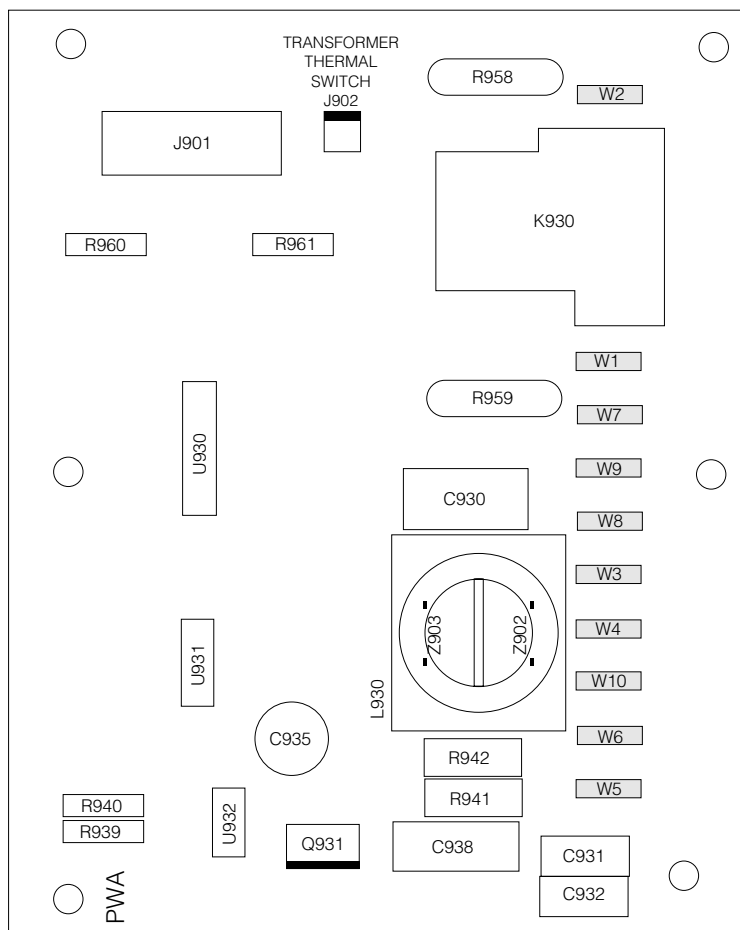


Figure 4.1 Control PCA Layout

This page intentionally left blank.

5 Theory

5.1 Overview

Com-Tech amplifiers incorporate several new technological advancements, including real-time computer simulation, low-stress output stages, an advanced heat sink embodiment and the Programmable Input Processor (P.I.P.) expansion system.

Custom circuitry is incorporated to limit temperature and current to safe levels, making it highly reliable and tolerant of faults. Unlike many lesser amplifiers, it can operate at its voltage and current limits without self-destructing.

Real-time computer simulation is used to create an analog of the junction temperature of the output transistors (hereafter referred to as the output devices). Current is limited only when the device temperature becomes excessive (and by the minimum amount required). This patented approach, called Output Device Emulation Protection (or *ODEP*) maximizes the available output power and protects against overheating—the major cause of device failure.

The amplifier is protected from all common hazards that plague high-power amplifiers, including shorted, open or mismatched loads; overloaded power supplies; excessive temperature and chain-destruction phenomenon; input overload; high-frequency blowups, internal faults; and input and output DC.

The four-quadrant topology used in a *Com-Tech* amplifier's output stages is called the *grounded bridge*. This patented topology makes full use of the power supply, providing peak-to-peak voltages to the load that are twice the voltage seen by the output devices.

As its name suggests, the *grounded bridge* topology is referenced to ground. Composite devices are constructed to function as large NPN and PNP devices to handle currents which exceed the limits of available devices. Each output stage has two composite NPN devices and two composite PNP devices.

The devices connected to the load are referred to as “high-side NPN and PNP” and the devices connected to ground are referred to as “low-side NPN and PNP.” Positive current is delivered to the load by increasing conductance simultaneously in the high-side NPN and low-side PNP stage, while synchronously decreasing conductance of the high-side PNP and low-side NPN.

The two channels may be used together to double the voltage (Bridge-Mono) or current (Parallel-Mono) presented to the load. This feature gives you flexibility to maximize power available to the load.

A wide bandwidth, multiloop design is used for state-of-the-art compensation. This produces ideal behavior and results in ultra-low distortion values.

Aluminum extrusions have been widely used for heat sinks in power amplifiers due to their low cost and reasonable performance. However, measured on a watts-per-pound or watts-per-volume basis, the extrusion technology doesn't perform nearly as well as the heat exchangers developed for *Com-Tech* amplifiers.

Our heat exchangers are fabricated from custom convoluted fin stock that provides an extremely high ratio of area to volume, and area to weight. All power devices are mounted directly to massive heat spreaders that are electrically at the Vcc potential. Electrifying the heat spreaders improves thermal performance by eliminating an insulating interface underneath each power device. The chassis itself is used as part of the thermal circuit to maximize utilization of the available cooling resources.

5.2 Front End Operation

The front end is comprised of three stages: Balanced Gain Stage (BGS), Variable Gain Stage (VGS), and the Error Amp. Figure 5.1 shows a simplified diagram of a typical front end with voltage amplification stages.

5.2.1 Balanced Gain Stage (BGS)

Input to the amplifier is balanced. The shield is isolated from chassis ground by an RC network to interrupt ground loops. The non-inverting (+) side of the balanced input is fed to the non-inverting input of the first op-amp stage. The inverting (-) side of the balanced input is fed to the inverting input of the first op-amp stage. A potentiometer (R103) is provided for common mode rejection adjustment. Electrically, the BGS is at unity gain. (From an audio perspective, however, this stage actually provides +6dB gain if a fully balanced signal is placed on its input.) The BGS is a non-inverting stage. Its output is delivered to the Variable Gain Stage.

5.2.2 Variable Gain Stage (VGS)

From the output of the BGS, the signal goes to the VGS, where gain is determined by the position of the Sensitivity Switch, and level is determined by the level control. VGS is an inverting stage with the input being

fed to its op-amp stage. Because gain after this stage is fixed at 26 dB (factor of 20), greater amplifier sensitivity is achieved by controlling the ratio of feedback to input resistance. The Sensitivity Switch sets the input impedance to this stage and varies the gain such that the overall amplifier gain is 26 dB, or is adjusted appropriately for 0.775V input to attain rated output.

5.2.3 Error Amp

The inverted output from the VGS is fed to the non-inverting input of the Error Amp op-amp stage through an AC coupling capacitor (C107) and input resistor (R113). Amplifier output is fed back via the negative feedback (NFb) loop resistor (R114). The ratio of feedback resistor to input resistor fixes gain from the Error Amp input to the output of the amplifier at 26 dB. Diodes prevent overdriving the Error Amp. Because the Error Amp amplifies the difference between input and output signals, any difference in the two waveforms will produce a near open loop gain condition, which in turn results in high peak output voltage. The output of the Error Amp, called the Error Signal (ES) drives the Voltage Translators.

5.3 Voltage Amplification

The Voltage Translator stage separates the output of the Error Amp into balanced positive and negative drive voltages for the Last Voltage Amplifiers (LVAs), translating the signal from ground referenced $\pm 15V$ to $\pm VCC$ reference. LVAs provide the main voltage amplification and drive the High Side output stages. Gain from Voltage Translator input to amplifier output is a factor of 25.2.

5.3.1 Voltage Translators

A voltage divider network splits the Error Signal (ES)

into positive and negative drive signals for the balanced voltage translator stage. These offset reference voltages drive the input to the Voltage Translator transistors (Q104/Q105). A nested NFb loop from the output of the amplifier mixes with the inverted signal riding on the offset references. This negative feedback fixes gain at the offset reference points (and the output of the Error Amp) at a factor of -25.2 with respect to the amplifier output. The Voltage Translators are arranged in a common base configuration for non-inverting voltage gain with equal gain. They shift the audio from the $\pm 15V$ reference to VCC reference. Their outputs drive their respective LVA.

Also tied into the Voltage Translator inputs are the limiting transistors (Q102/Q103). These transistors steal drive as dictated by the ODEP circuitry (discussed later), or act as switches totally shunting audio to ground during the turn-on delay, or during a DC/LF or Fault protective action.

5.3.2 Last Voltage Amplifiers (LVAs)

The Voltage Translator stage channels the signal to the Last Voltage Amplifiers (LVAs) in a balanced configuration. The +LVA (Q106) and -LVA (Q109), with their push-pull effect through the Bias Servo, drive the fully complementary output stage. The LVAs are configured as common emitter amplifiers. This configuration provides sufficient voltage gain and inverts the audio. The polarity inversion is necessary to avoid an overall polarity inversion from input jack to output jack, and it allows the NFb loop to control Error Amp gain by feeding back to its non-inverting input (with its polarity opposite to the output of the VGS). With the added voltage swing provided by the LVAs, the signal then gains

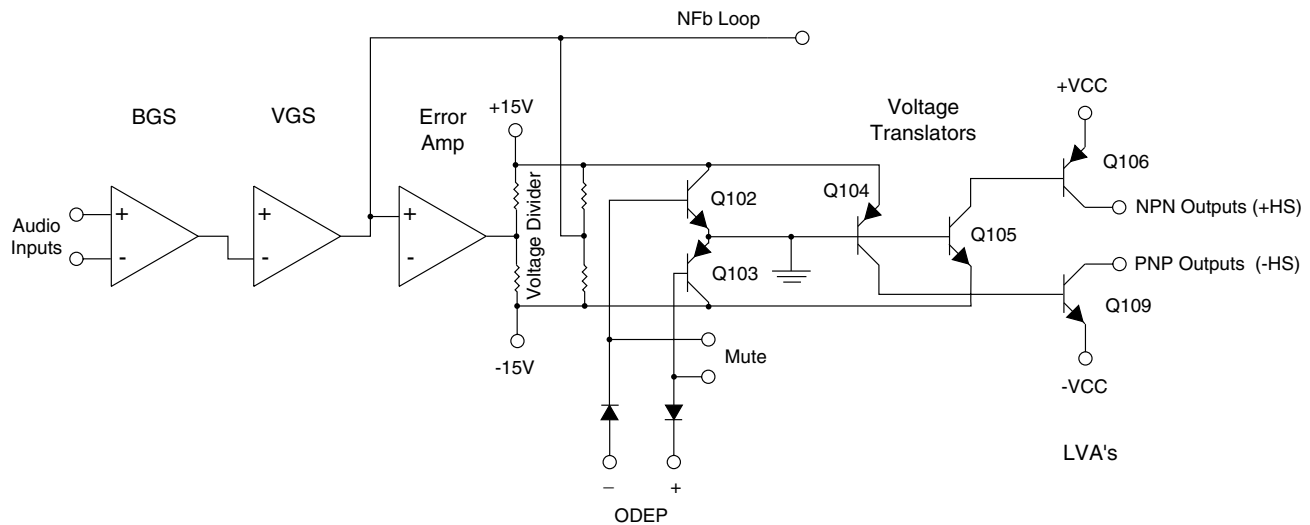


Figure 5.1 Typical Amplifier Front End and Voltage Amplification Stages.

current amplification through the Darlington emitter-follower output stage.

5.4 Grounded Bridge Topology

Figure 5.2 is a simplified example of the grounded bridge output topology. Grounded Bridge Topology consists of four quadrants of Darlington emitter-follower stages per channel: one NPN and one PNP on the High Side of the bridge (driving the load), and one NPN and one PNP on the Low Side of the bridge (controlling the ground reference for the rails). The output stages are biased to operate class AB+B, allowing for ultra low distortion in the signal zero-crossing region, as well as for high efficiency.

5.4.1 High Side (HS)

The High Side (HS) of the bridge operates much like a conventional bipolar push-pull output configuration. As the input drive voltage becomes more positive, the HS NPN conducts and delivers positive voltage to the load. Eventually the NPN devices reach full conduction and $+V_{cc}$ is across the load. At this time the HS PNP is biased off. When the drive signal is negative going, the HS PNP conducts to deliver $-V_{cc}$ to the load and the HS NPN stage is off.

The output of the +LVA drives the base of predriver device. Together, the predriver and driver form the first two parts of the three-deep Darlington. They are biased class AB. They provide output drive through the

bias resistor, bypassing the output devices, at levels below about 100mW. An RLC network between the predriver and driver provide phase shift compensation and limit driver base current to safe levels. Output devices are biased class B, just below cutoff. At about 100mW output they switch on to conduct high current to the load. Together with predriver and driver, the output device provides an overall class AB+B output.

The negative half of the HS is almost identical to the positive half, except that the devices are PNP. One difference is that the PNP bias resistor is slightly greater in value so that the PNP output devices run closer to the cutoff level under static (no signal) conditions. This is because PNP devices require greater drive current.

HS bias is regulated by Q18, the Bias Servo. Q18 is a V_{be} multiplier which maintains approximately 3.2V V_{ce} under static conditions. The positive and negative halves of the HS output are in parallel with this 3.2V. With a full base-emitter on voltage drop across predrivers and drivers, the balance of voltage results in approximately .32V drop across the bias resistors in the positive half, and about .46V across the bias resistor in the negative half. Q18 conduction (and thus bias) is adjustable.

A diode string prevents excessive charge build up within the high conduction output devices when off. Flyback diodes shunt back-EMF pulses from reactive

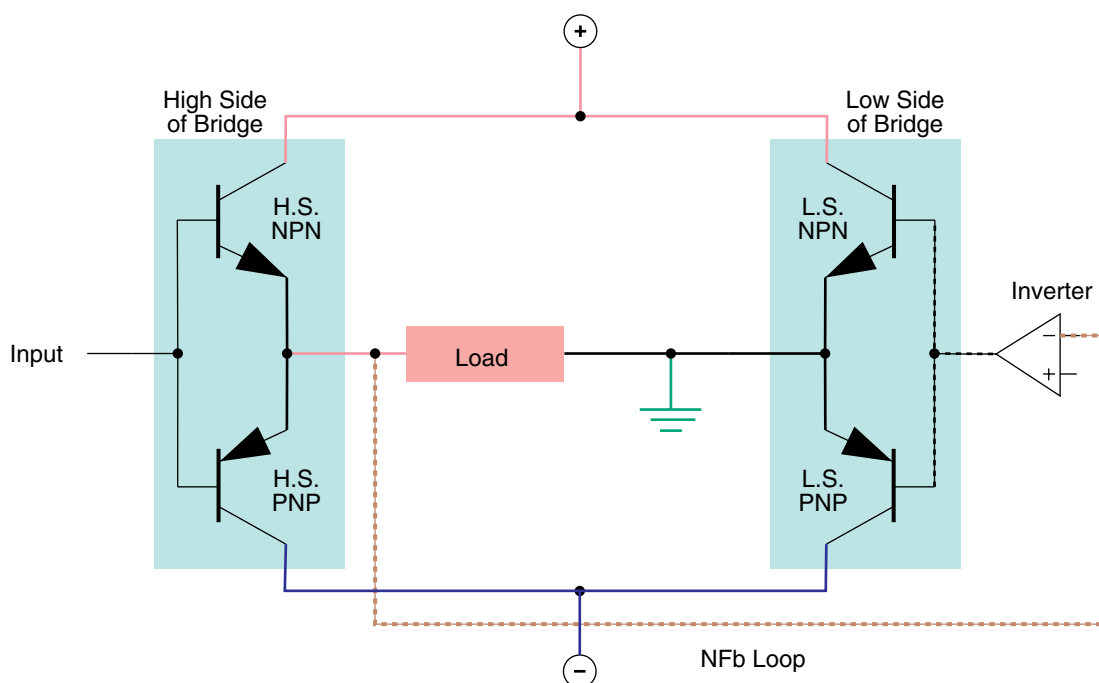


Figure 5.2 Crown's Patented Grounded Bridge Topology

loads to the power supply to protect output devices from dangerous reverse voltage levels. An output terminating circuit blocks RF on output lines from entering the amplifier through the amp's output connectors.

5.4.2 Low Side (LS)

The Low Side (LS) operates quite differently from the High Side. The power supply bridge rectifier is not ground referenced, nor is the secondary of the main transformer. In other words, the high voltage power supply floats with respect to ground, but $\pm V_{cc}$ remain constant with respect to each other. This allows the power supply to deliver $+V_{cc}$ and $-V_{cc}$ from the same bridge rectifier and filter as a total difference in potential, regardless of their voltages with respect to ground. The LS uses inverted feedback from the HS output to control the ground reference for the rails ($\pm V_{cc}$). Both LS quadrants are arranged in a three-deep Darlington and are biased AB+B in the same manner as the HS.

When the amplifier output swings positive, the audio is fed to an op-amp stage where it is inverted. This inverted signal is delivered directly to the bases of the positive (NPN) and negative (PNP) LS predrivers. The negative drive forces the LS PNP devices on (NPN off). As the PNP devices conduct, V_{ce} of the PNP Darlington drops. With LS device emitters tied to ground, $-V_{cc}$ is pulled toward ground reference. Since the power supply is not ground referenced (and the total voltage from $+V_{cc}$ to $-V_{cc}$ is constant) $+V_{cc}$ is forced higher above ground potential. This continues until, at the positive amplifier output peak, $-V_{cc} = 0V$ and $+V_{cc}$ equals the total power supply potential with a positive polarity. If, for example, the power supply produced a total of 70V from rail to rail ($\pm 35V_{DC}$ measured from ground with no signal), the amplifier output would reach a positive peak of +70V.

Conversely, during a negative swing of the HS output where HS PNP devices conduct, the op-amp would output a positive voltage forcing LS NPN devices to conduct. This would result in $+V_{cc}$ swinging toward ground potential and $-V_{cc}$ swinging further from ground potential. At the negative amplifier output peak, $+V_{cc} = 0V$ and $-V_{cc}$ equals the total power supply potential with a negative polarity. Using the same example as above, a 70V supply would allow a negative output peak of -70V. In summary, a power supply which produces a total of 70VDC rail to rail (or $\pm 35V_{DC}$ statically) is capable of producing 140V peak-to-peak at the amplifier output when the grounded bridge topology is used. The voltages used in this example are relatively close to the voltages of the PB-1/460CSL.

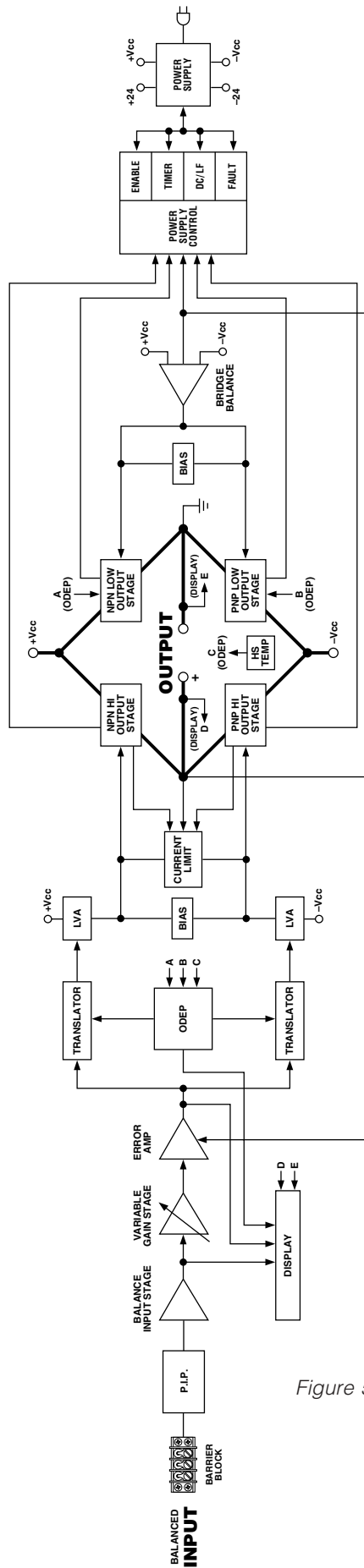
The total effect is to deliver a peak to peak voltage to the speaker load which is twice the voltage produced by the power supply. Benefits include full utilization of the power supply (it conducts current during both halves of the output signal; conventional designs require two power supplies per channel, one positive and one negative), and never exposing any output device to more than half of the peak to peak output voltage (which does occur in conventional designs).

Low side bias is established by a diode string which also shunts built up charges on the output devices. Bias is adjustable via potentiometer. Flyback diodes perform the same function as the HS flybacks. The output of the LS is tied directly to chassis ground via ground strap.

5.5 Output Device Emulation Protection (ODEP)

To further protect the output stages, a specially developed *ODEP* circuit is used. It produces a complex analog output signal. This signal is proportional to the always changing safe-operating-area margin of the output transistors. The *ODEP* signal controls the Voltage Translator stage by removing drive that may exceed the safe-operating-area of the output stage.

ODEP senses output current by measuring the voltage dropped across LS emitter resistors. LS NPN current (negative amplifier output) and $+V_{cc}$ are sensed, then multiplied to obtain a signal proportional to output power. Positive and negative *ODEP* voltages are adjustable via two potentiometers. Across $\pm ODEP$ is a thermal sense (current source). The thermal sense causes the differential between $+ODEP$ and $-ODEP$ to decrease as heatsink temperature increases. An increase in positive output voltage and current into a load will result in $-ODEP$ voltage dropping; an increase in negative output voltage and current will cause $+ODEP$ voltage to drop. A complex RC network between the $\pm ODEP$ circuitry is used to simulate the thermal barriers between the interior of the output device die (immeasurable by normal means) and the time delay from heat generation at the die until heat dissipates to the thermal sensor. The combined effects of thermal history and instantaneous dynamic power level result in an accurate simulation of the actual thermal condition of the output transistors.



ONLY ONE CHANNEL SHOWN

Figure 5.3 Circuit Block Diagram

5.6 Dual Operation

For simplicity, the discussion of Dual operation will refer to one channel only. Mono operation will be discussed in Sections 5.8 and 5.9. Please refer to the block diagram in Figure 5.3.

The signal at the *P.I.P.* barrier block passes directly into the balanced input stage. The balanced input stage causes balanced to single-ended conversion using a difference amplifier. Next the variable gain stage amplifies or attenuates the signal. The gain of this stage is set by the position of the input sensitivity switch and the back panel Input Attenuation control. The error amp amplifies the difference between the output signal and the input signal from the gain pot, and drives the voltage translator stage.

From the error amp, the voltage translator stage channels the signal to the Last Voltage Amplifiers (LVAs), depending on the signal polarity. The +LVA and the -LVA, with their push-pull effect through the bias servo, and drive the fully complementary output stage.

The bias servo is thermally coupled to the heat sink, and sets the quiescent bias current in the output stage to lower the distortion in the crossover region of the output signal.

With the voltage swing provided by the LVAs, the signal then gains current amplification through the Darlington emitter-follower output stage.

The bridge-balanced circuit receives a signal from the output of the amplifier and detects the difference between it and the signal at the V_{cc} supply. The bridge-balanced circuit then develops a voltage to drive the bridge-balanced output stage. This results in the V_{cc} supply having exactly one half of the output voltage added to the quiescent voltage.

The protection mechanisms that affect the signal path are implemented to protect the amplifier under real-world conditions. These conditions are high instantaneous current, excessive temperature, and output device operation outside safe conditions.

Two transistors act as a conventional current limiter, sensing current in the output stage. If current exceeds safe levels, the limiters remove the drive from the LVAs, limiting current in the output stage to a safe level.

To further protect the output stages, the patented *ODEP* circuitry is used. It produces an analog output proportional to the always changing *safe operating area* of the output transistor. This output controls the translator stage previously mentioned, removing any further drive that may exceed the *safe operating area* of the output stage.

A thermal sensor supplies the *ODEP* circuits with information on the operating temperature of the heat sink on which the output devices are mounted.

Should the amplifier fail in a way that would cause DC across the output lead, the DC protection circuit senses this on the negative feedback loop and shuts down the output stages until the DC is removed.

5.7 Bridge-Mono Operation

By setting the dual/mono switch on the back panel to Bridge-Mono, the user can convert the *Com-Tech* amplifier into a bridge-mono amplifier. With a signal applied to the Channel 1 input jack, and the load between the positive (+) output terminals on the back panel, twice the voltage can be output.

The Channel 1 output feeds the Channel 2 error amp. Because there is a net inversion, the Channel 2 output is out of polarity with Channel 1. This produces twice as much voltage across the load. Each of the channel's protection mechanisms work independently if a fault occurs.

5.8 Parallel-Mono Operation

With the dual/mono switch set to Parallel-Mono, the output of Channel 2 is paralleled with the output of Channel 1. A suitable high current-handling jumper must be connected across the positive (+) output terminals to gain the benefits of this operating mode.

The signal path for Channel 1 is the same as previously discussed, except that Channel 1 also drives the output stage of Channel 2. The Channel 2 balanced input, error amp, translators and LVAs are disconnected and no longer control the Channel 2 output stage. The Channel 2 output stage and protection mechanisms are also coupled through S1 and function as one.*

In Parallel-Mono mode, twice the current of a single channel is available. Because the Channel 2 *ODEP* circuit is coupled to Channel 1, you have added protection if a fault occurs in the Channel 2 output stage. The Channel 2 *ODEP* circuit limits the output of both output stages by removing the drive from the Channel 1 translator stages.

* Note: When the amplifier's dual/mono switch is moved to the Parallel/Mono position, the Channel 2 IOC indicator will illuminate. This is a normal condition in this configuration.

6 Electrical Checkout Procedures

6.1 General Information

The following test procedures are to be used to verify operation of this amplifier. DO NOT connect a load or inject a signal unless directed to do so by the procedure. These tests, though meant for verification and alignment of the amplifier, may also be very helpful in troubleshooting. For best results, tests should be performed in order.

All tests assume that AC power is from a regulated source. Test equipment includes an oscilloscope, a DMM, a signal generator, loads, and I.M.D. and T.H.D. noise test equipment.

6.2 Test Procedures

6.2.1 Standard Initial Conditions

Level controls fully clockwise.
Stereo/Mono switch in Stereo.
Sensitivity switch in 26 dB fixed gain position.
70-V mode switches in the 8/4 ohm position.

Place a jumper across pins 3 and 4 of both TP100 and TP200. This will keep the amplifier out of auto standby.

It is assumed, in each step, that conditions of the amplifier are per these initial conditions unless otherwise specified.

6.2.2 Turn On Delay

Spec: 4 seconds \pm 2 seconds.

Procedure: Up to 1 second after turn-on, the current path to the primary is through an NTC. After 1 second a relay closes that shorts out the NTC. Three seconds later bias is applied to the output section of the amplifier.

6.2.3 Output Bias Adjustment

Spec: 320 to 340 mVDC.

Procedure: While the heatsink temperature is less than

40° C measure the DC voltage on the output module across R37 (15 ohm), adjust R02 if necessary. Measure the DC voltage on the output module across R39 (15 ohm), adjust R33 if necessary. Repeat for the second channel.

6.2.4 ODEP Voltage Adjustment

Spec: See chart

Procedure: Measure the heatsink temperature. If unable to do so, note the room temperature and do this procedure while the heatsink temperature is still at room temperature.

Measure the voltage on TP100-5 and adjust R186 for the voltage per the chart. This voltage will be a negative voltage. Measure the voltage on TP100-10 and adjust R300 for the voltage per the chart. This voltage will be a positive voltage. For channel 2 the designations are TP200-5, TP200-10, R286, and R400.

ODEP Voltage Chart
Tolerance \pm 0.1V

| <u>°F</u> | <u>°C</u> | <u>Voltage</u> |
|-----------|-----------|----------------|
| 66 | 18.9 | 10.55 |
| 68 | 20.0 | 10.48 |
| 70 | 21.1 | 10.41 |
| 72 | 22.2 | 10.34 |
| 74 | 23.3 | 10.26 |
| 76 | 24.4 | 10.19 |
| 78 | 25.6 | 10.12 |
| 80 | 26.7 | 10.05 |
| 82 | 27.8 | 9.97 |
| 84 | 28.9 | 9.90 |
| 86 | 30.0 | 9.83 |
| 88 | 31.1 | 9.75 |
| 90 | 32.2 | 9.68 |
| 92 | 33.3 | 9.61 |
| 94 | 34.4 | 9.54 |

6.2.5 DC Offset

Spec: 0 VDC, \pm 10 mV.

Procedure: Measure DC voltage at the output connectors (rear panel). There is no adjustment for output offset. If spec is not met, there is an electrical malfunction. Slightly out of spec measurement is usually due to U104/U204 out of tolerance.

6.2.6 Quiescent Power Draw

Spec: 60 watts maximum

Procedure: With no input signal the amplifier should draw no more than 60 watts from the power source. Slightly high readings may be due to out of tolerance Output Bias Adjustment.

6.2.7 Voltage Gain

Spec *CT-810*: 26 dB – Gain of 20 ±3%
 .775V for 8/4 Ohm – Gain of 64 ±12%
 .775V for 70V – Gain of 90 ±12%

Spec *CT-1610*: 26 dB – Gain of 20 ±3%
 .775V for 8/4 Ohm – Gain of 64 ±12%
 .775V for 70V – Gain of 90 ±12%

Procedure: With the switch in the 26 dB position, inject a 0.775 VAC 1 kHz sine wave into the input. Measure 15.5 VAC ±0.5 VAC at the output. With the switch in the .775V 8/4 Ohm position, inject a 0.775 VAC 1 kHz sine wave into the input. Measure 29.45 VAC ±3.5 VAC at the output. With the switch in the .775V 70V position, inject a 0.775 VAC 1 kHz sine wave into the input. Measure 70 VAC ±8.4 VAC at the output. Return the Input Sensitivity Switch to 26 dB.

6.2.8 Current Sense Calibration

Spec: 2 amps = .665V at sense point.

Procedure: Load each channel to 8 ohms. Inject a 1 kHz sine wave into each input and adjust the level such that 16.0 Vrms appears on the outputs. For channel 1 measure Vrms at pin 9 of TP100 and adjust R361 until voltage at pin 9 is between 0.66 and 0.67 Vrms. For channel 2 measure pin 9 of TP200 and adjust R461.

6.2.9 Common Mode Rejection

Spec: >70 dB @ 1 kHz.

Procedure: Using a cable with the inverting and non-inverting inputs shorted together inject a 0 dBu (0.775 Vrms) 1 kHz sine wave into each channel, one channel at a time. At the output measure less than 4.9 mVrms. For channel 1 adjust R103 for the greatest rejection. For channel 2 adjust R203 for the greatest rejection.

6.2.10 Current Limit

Spec *CT-810*: 39 ±6 Amps
 Spec *CT-1610*: 39 ±6 Amps

Procedure: Load the channel under test to 1 ohm. Inject a 1 kHz differentiated (10% duty cycle) square wave. See Figure 6.1 for differentiator circuit. Increase output level until current limit occurs. Current limit should occur at 39 ±6 amps (39 Vpk) on *CT-810s* and *CT-1610s*. Observe clean (no oscillations) current clipping. See Figure 6.2 for differentiated wave form at current limit.

6.2.11 10 kHz Square Wave Response

Spec: No overshoot, ringing, or oscillations. Slew rate 17 - 25 V/μS into 8 ohm load.

Procedure: Load the channel under test to 8 ohms. Inject a 10 kHz square wave to obtain 35 volts zero-to-peak at the output. Observe the wave form. It must not include overshoot, ringing, or any type of oscillation. Rise time should be between 17 and 25 volts per microsecond. See Figure 6.3 for typical 10 kHz square wave response.

6.2.12 20 kHz Crosstalk

Spec: 60 dB below 8 ohm 20-20kHz power.

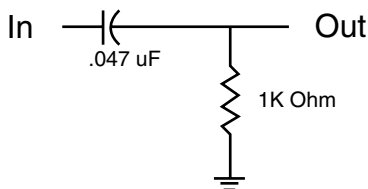


Figure 6.1 Differentiator Circuit

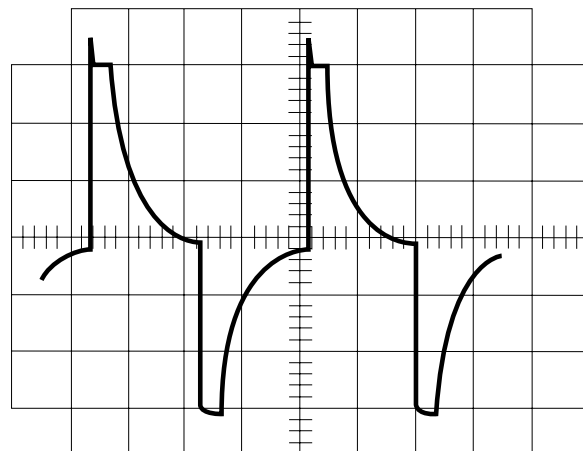


Figure 6.2 Differentiated wave form at current limit

Procedure: Load each channel to 8 ohms. Inject a 20 kHz sine wave into channel 1 and, if the amp is a *CT-810*, increase the level to 48 VAC at the output. If the amp is a *CT-1610* increase the level to 64 VAC. Terminate the channel 2 input with 600 ohms. Measure less than 48 millivolts AC at the output of channel 2 on a *CT-810* (less than 64 millivolts for a *CT-1610*). Repeat for channel 2 by driving channel 2 and terminating channel 1. Measure less than 48 millivolts at the output of channel one for a *CT-810* (less than 64 millivolts for a *CT-1610*).

6.2.13 Output Power

Spec: Maximum Average Power at 0.05% THD. Both channels driven.

Com-Tech 810:

8 ohm = 300 watts/channel maximum
 4 ohm = 480 watts/channel maximum
 12.5 ohm (70V mode) = 455 watts/channel maximum

Com-Tech 1610:

8 ohm = 535 watts/channel maximum
 4 ohm = 860 watts/channel maximum
 6.25 ohm (70V mode) = 955 watts/channel maximum

Procedure: Load each channel to 8 ohms. Inject a 1 kHz sine wave and, on a *CT-810*, measure at least 49.0 VAC at the output of each channel with less than 0.05% THD. With a *CT-1610*, the VAC measurement should be 65.4. Load each channel to 4 ohms. Inject a 1 kHz sine wave and, on a *CT-810*, measure at least 43.8 VAC at the output of each channel with less than 0.05% THD. On a *CT-1610* the VAC reading should be 58.7. Switch the output mode switches to 70V. If working on a *CT-410*, load each channel to 12.5 ohms, on a *CT-1610* the load should be 6.25 ohms. Inject a 1 kHz sine wave

and, on the *CT-810*, measure at least 75.4 VAC at the output of each channel with less than 0.05% THD. On the *CT-1610*, you should measure at least 77.3 VAC.

6.2.14 ODEP Limiting

Spec: Clean limiting into a resistive load (see Figure 6.4).

Procedure: Load each channel to 4 ohms. Set the mode switches to 70V. Inject a 50 Hz sine wave into each channel and increase the level for 20 VAC at the output. If the unit is equipped with a fan, stuff a rag into it, preventing the fan from turning. Observe the wave form on an oscilloscope. After about 1 minute *ODEP* limiting will occur (see Figure 6.4). Once limiting occurs the wave form will collapse at a rapid rate. Make sure both channels limit. Remove the load and signal, remove the rag from the fan, and allow the amp to cool. Put each channel back into the 8/4 ohm mode.

6.2.15 Fan Operation

Spec: Continuously variable. Varies with *ODEP* voltage.

6.2.16 LF Protection

Spec: Amplifier channel will cycle into protect with .5 Hz 6Vp-p or 2 Hz 6 Vrms sine wave at the output.

Procedure: Inject a 2 Hz sine wave into the input of the channel under test. Increase the level until the amplifier cycles on and off. It should cycle on and off when the output reaches approximately 6 Vrms.
 20kHz power

0 dB < .01%

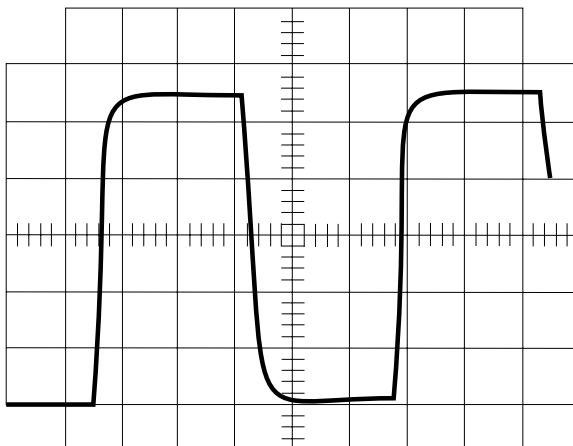


Figure 6.3 10 kHz square wave response

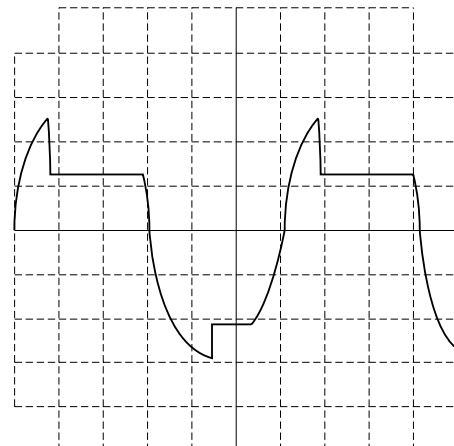


Figure 6.4 ODEP limiting wave form

6.2.16 LF Protection

Spec: Amplifier channel will cycle into protect with .5 Hz 6Vp-p or 2 Hz 6 Vrms sine wave at the output.

Procedure: Inject a 2 Hz sine wave into the input of the channel under test. Increase the level until the amplifier cycles on and off. It should cycle on and off when the output reaches approximately 6 Vrms.

6.2.17 Signal to Noise

Spec *CT-810*: 100 dB below 295 watts into 8 ohms. 20Hz-20kHz unweighted.

Spec *CT-1610*: 100 dB below 520 watts into 8 ohms. 20Hz-20kHz unweighted.

Procedure: Short inputs. Load each channel to 8 ohms. On a *CT-810*, measure less than 486 μ Vrms at the output of each channel. For the *CT-1610*, the measurement should be less than 645 μ Vrms.

6.2.18 Intermodulation Distortion (IMD)

Spec: 8 ohms, 0dB = FTC continuous average 20Hz-20kHz power

- 0 dB < .01%
- 35 dB < .05%

Procedure: Load each channel to 8 ohms. Inject a SMPTE standard IM signal (60 Hz and 7 kHz sine wave mixed at 4:1 ratio). Set the 60 Hz portion of the signal for 23 Vrms output. Set the 7 kHz portion to 25%. With the IM analyzer measure less than 0.01% IMD. Repeat the test at -35 dB and measure less than 0.05% IMD.

6.2.19 Displays

Spec:

- Enable - On when low voltage supply is on.
- ODEP - Dims in proportion to ODEP limiting.
- IOC - On with error amp clip (distortion).
- SPI - Flash in sync with amplifier output.

Procedure: Verify indicators per above specifications.

6.2.20 Auto Standby Operation

Spec: Amp goes into standby after 30 minutes of no input signal.

Procedure: Remove the jumpers on TP100 and TP200 pins 3 & 4. Apply 1 volt of a 1 kHz sine wave signal to both channels. Turn off or remove the signal. After 30 seconds verify that voltage across R37 and R39 (15 ohm on output assembly) decreases to less than 20 mVrms. Any noise generated by auto standby must be equal to or less than the residual noise of the amplifier. To test this use one 8 ohm speaker per channel.

6.2.21 Post Testing

After completion of testing, if all tests are satisfactory, the amplifier controls should be returned to the positions required by the customer. If conditions are unknown or unspecified, factory settings are as follows:

On CT810A and 1610A, remove the jumpers across pins 3 & 4 of TP100 and TP200.

Level Controls: 9 to 11 O'Clock.

Sensitivity Switch: .775V 8/4 Ohm.

7 Exploded Views

| | |
|--|------|
| Com-Tech 810 Main Chassis | 7-2 |
| Com-Tech 810 Front Panel | 7-4 |
| Com-Tech 810 Rear Panel | 7-6 |
| Com-Tech 810 Chassis Bottom | 7-8 |
| Com-Tech 1610 Main Chassis | 7-10 |
| Com-Tech 1610 Front Panel | 7-12 |
| Com-Tech 1610 Rear Panel | 7-14 |
| Com-Tech 1610 Bottom Chassis | 7-16 |
| Com-Tech 810 & 1610 Heatsink Assembly | 7-18 |
| Com-Tech 810 & 1610 Capacitor Assembly | 7-20 |
| Com-Tech 810 Transmotor Assembly | 7-22 |

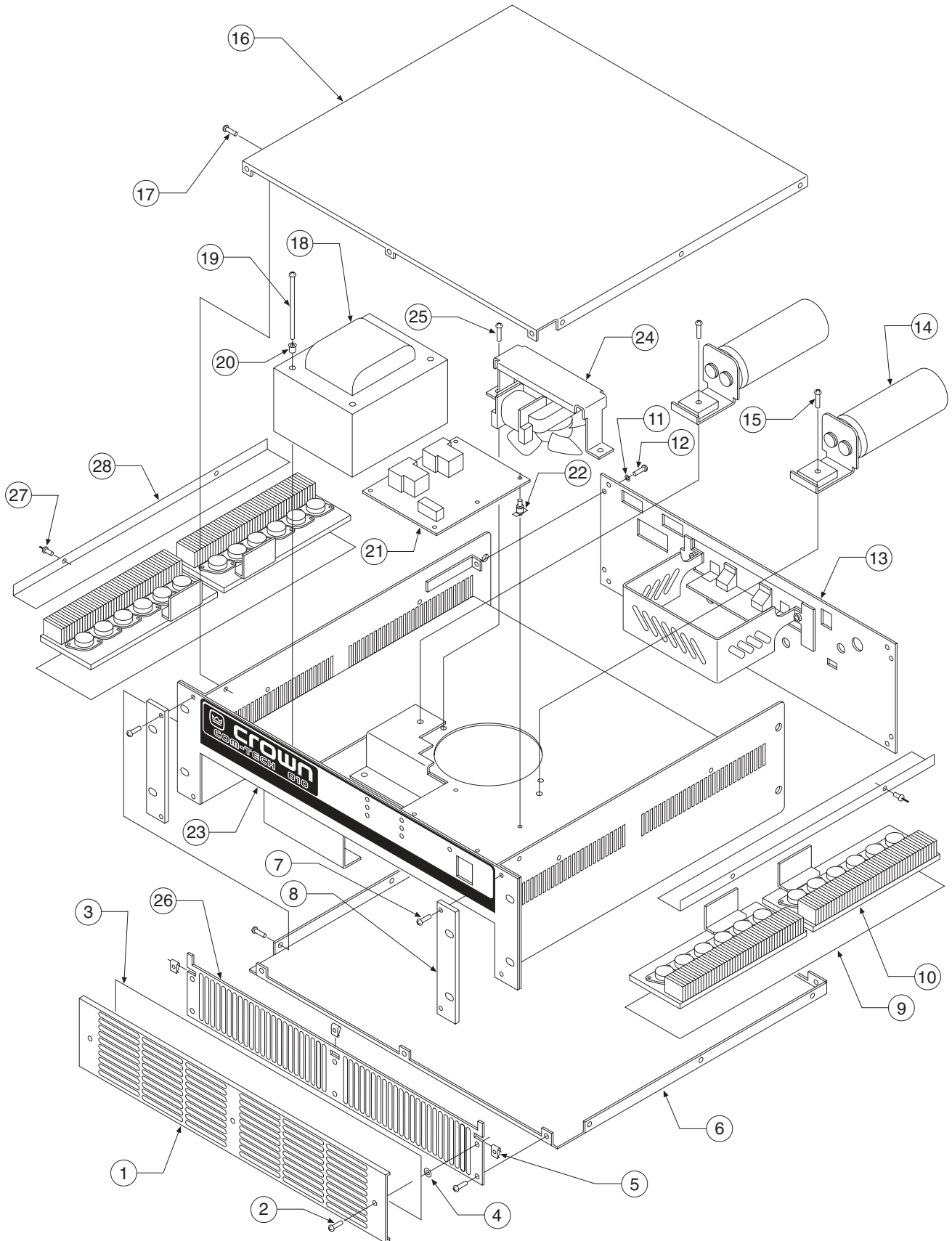


Figure 7.1 Com-Tech 810 Main Chassis

| Item | Qty. | Description | CPN |
|-------------|----------------|-----------------------------------|---------------|
| 1 | 1 | GUARD, 2.4" FINGER BLK | F11572J8 |
| 2 | 3 | 8-32 X.5 OVAL HD PH MSCR BZ | A10090-70808 |
| 3 | 1 | FILTER, FR AIR 3.15 X 16.23 X .13 | D 7118-9 |
| 4 | 3 | .5 X .136 X .02 NYLON WASHER | A10101-5 |
| 5 | 3 | CLIP, CT/MA/MT/PB FIL GRILLE | A10173-1 |
| 6 | 1 | CVR, MA MT PB CT TOP PC | D 8501-5 |
| 7 | 4 | 8-32 X .5 PNHD PH TAPTITE BLK | A10110-70808 |
| 8 | 2 | END CAP, 3.5" BLK PC | F12706-2 |
| 9 | 1(per channel) | SILPAD, 2.87X14.57 7 MIL | D 7796-2 |
| 10 | 2(per channel) | HEAT SINK ASSEMBLY | See Fig. 7.9 |
| 11 | 3 | #6 INT STAR WASHER BLACK | A10094-3 |
| 12 | 3 | 6-32X.312 PAN HD T15 TT TYPE W | C 9491-9 |
| 13 | 1 | BACK PANEL ASSEMBLY | See Fig. 7.3 |
| 14 | 2 | CAPACITOR ASSEMBLY | See Fig. 7.10 |
| 15 | 2 | 10-32 X .50 RDHD PH MSCR Z | A10086-11008 |
| 16 | 1 | CVR, MA MT PB CT TOP PC | D 8501-5 |
| 17 | 8 | SCREW, 6-32X.312 TORX PNHD SEM | 103415-70605 |
| 18 | 1 | XFMR, CT810/A 120V 60HZ | 102779-1 |
| 18 | 1 | XFMR,CT810/A 100/120V 50/60HZ | 102780-1 |
| 18 | 1 | XFMR, CT810/A 220/240V 50/60HZ | 102781-1 |
| 19 | 4 | 10-32 X 1.75 TRHD PH MSCR Z | A10087-11028 |
| 20 | 4 | #10 NYL SHLDR WASHER #10-375-A | A10099-7 |
| 21 | 1 | PWA, CT'10A CONTROL 220/240V CE | 125235-1 |
| 21 | 1 | PWA, CT'10A CONTROL 120V | 125416-1 |
| 21 | 1 | PWA, CT'10A CONTROL 220/240V | 125419-1 |
| 21 | 1 | PWA, CT'10A CONTROL 100V | 125420-1 |
| 22 | 5 | 4 PC BOARD SUPPORT | C6032-4 |
| 23 | 1 | CHASSIS, CT'10A 3U CE (810A) | 125302-1 |
| 24 | 1 | TRANSMOTOR ASSEMBLY | See Fig. 7.11 |
| 25 | 2 | 6-32X.312 PAN HD T15 TT TYPE W | C 9491-9 |
| 26 | 1 | GRILLE, 3.35" FILTER BLK PC | F12711-2 |
| 27 | 4 | PLASTI-RIVET, .156 2 PRONG BLK | C 9387-9 |
| 28 | 2 | SHROUD, 1.75X14.45 PAPER | D 8197-2 |

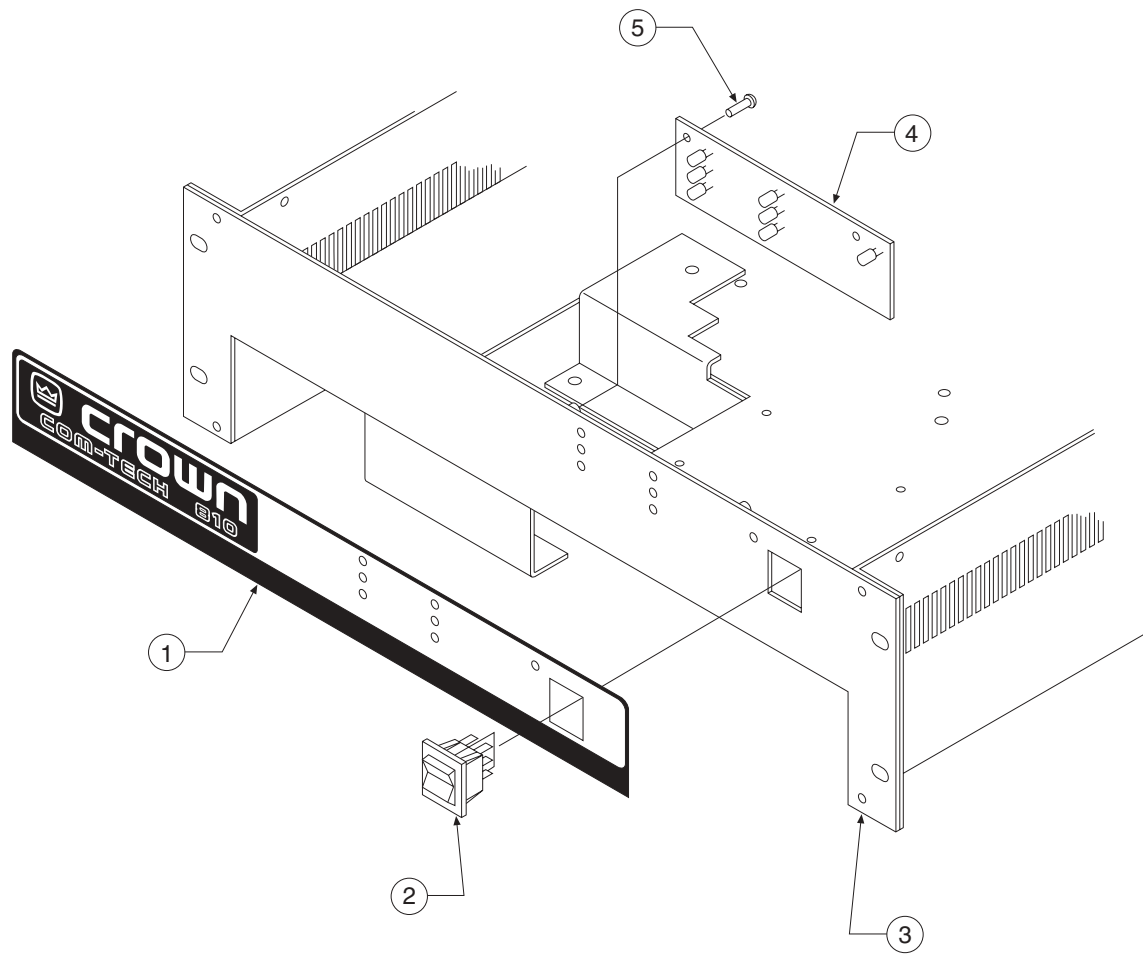


Figure 7.2 Com-Tech 810 Front Panel

| Item | Qty. | Description | CPN |
|------|------|--------------------------------|-----------|
| 1 | 1 | OVERLAY, CT810 REM FP | 101741-1 |
| 2 | 1 | SWITCH, DPDT CENTER OFF 16A | 101843-1* |
| 3 | 1 | CHASSIS, CT'10A 3U CE | 125302-1 |
| 4 | 1 | PWA, CT10A DISPLAY | 125402-1 |
| 5 | 2 | 6-32X.312 PAN HD T15 TT TYPE W | C 9491-9 |

*Com-Tech 810A only.

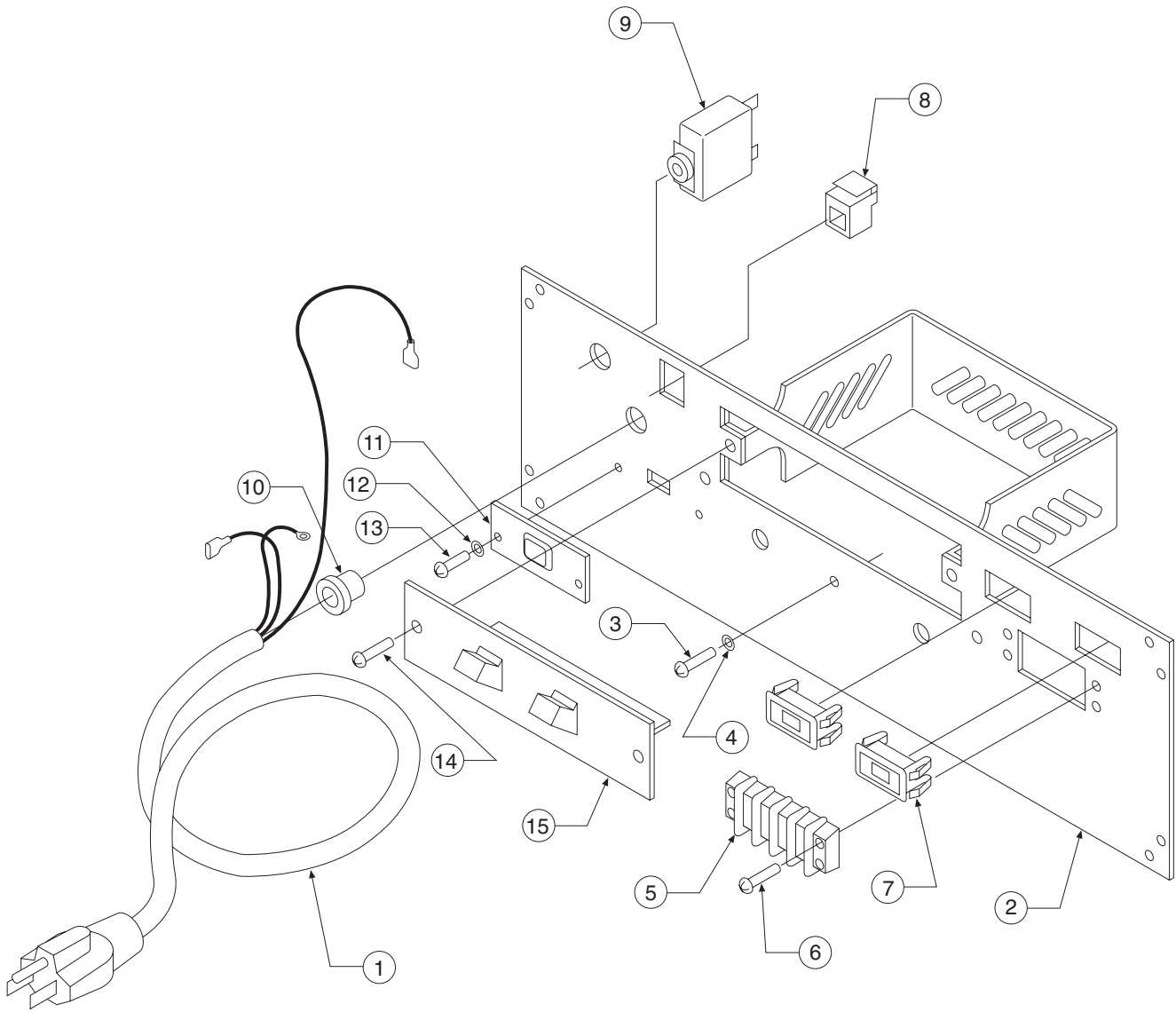


Figure 7.3 Com-Tech 810 Rear Panel

| Item | Qty. | Description | CPN |
|------|------|---|--------------|
| 1 | 1 | PWR CORD, 14-3 SJT NEON 39 IN, 120V DOMESTIC | A11793-0109N |
| 1 | 1 | PWR CORD, 14-3 SJT 5-15 39 IN, 100V, 220V, 120 EXP. | A11793-0308N |
| 1 | 1 | PWR CORD, EUR PLUG 39 IN, 220 V CE | A10793-0507R |
| 1 | 1 | PWR CORD, INDIA PLUG 39 IN, 240V | A10793-0707R |
| 1 | 1 | PWR CORD, AUSTRALIA PLUG 39 IN, 240v | A10793-0807R |
| 2 | 1 | BP, CT810A REM PIP2 3U DOMESTIC | 102398-1* |
| 3 | 3 | 8-32 X .5 PNHD PH TAPTITE BLK | A10110-70808 |
| 4 | 3 | #8 INT STAR LOCKWASHER BLACK | A10094-5 |
| 5 | 1 | 4-141-Y #6 BARRIER BLOCK | C 5990-4 |
| 6 | 4 | 8-32 X .37 RDHD BZ MSCR | A10086-70806 |
| 7 | 2 | DPDT 15A SLIDE SW PNL MT | C 7957-1 |
| 8 | 1 | JACK, RJ11 PANEL MOUNT | 102686-1 |
| 9 | 1 | BRKR, 1 POLE 10A SNAP-IN VDE 810A, 220V, 240V | C10170-6 |
| 9 | 1 | BRKR, 1 POLE 20A SNAP-IN VDE 810A, 100V, 120V | C10177-1 |
| 10 | 1 | STRAIN RELIEF SR7N-2 BLACK (14-3) | A10214-7 |
| 10 | 1 | STRAIN RELIEF, EUR SR-6P30-CE | C10187-0 |
| 11 | 1 | COVER, DUAL/MONO SWITCH PC | 100454-1 |
| 12 | 2 | #6 INT STAR WASHER BLACK | A10094-3 |
| 13 | 2 | 6-32X.312 PAN HD T15 TT TYPE W | C 9491-9 |
| 14 | 2 | 8-32 X .37 RDHD BZ MSCR | A10086-70806 |
| 15 | 1 | ASM, PIP2BB | 100450-1 |

*Com-Tech 810A only.

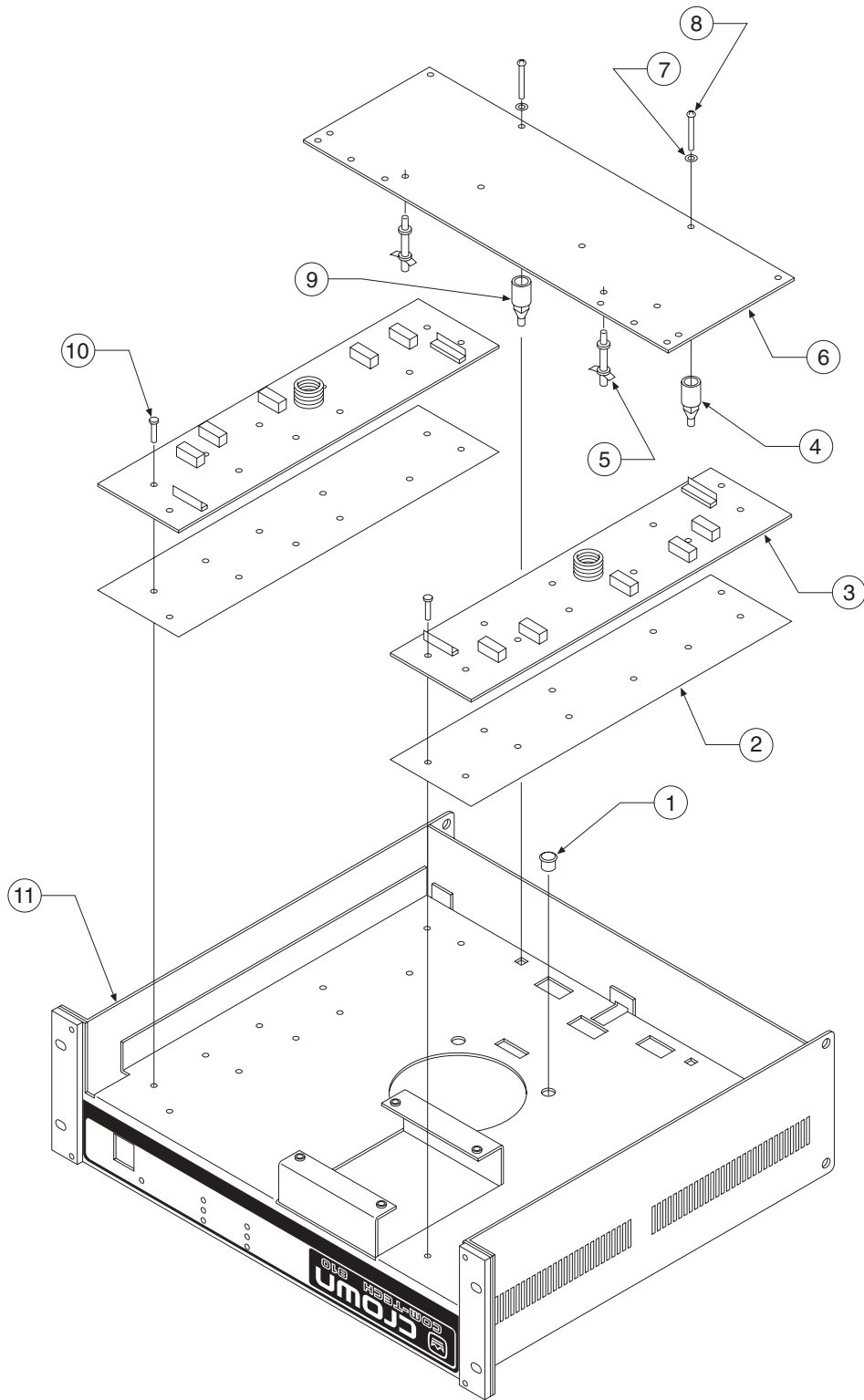


Figure 7.4 Com-Tech 810 Chassis Bottom

| Item | Qty. | Description | CPN |
|-------------|-----------------|--------------------------------|--------------|
| 1 | 2 | OCB.500 SNAP BUSHING | A10192-1 |
| 2 | 2(per channel) | INSULATOR, THROUGH HOLE OUTPUT | 125547-1 |
| 3 | 1(per channel) | PWA, CT810A/1610A OUTPUT | 102774-1 |
| 4 | 2 | 1" SPACER TOGGLE NUT, PLASTIC | C 6913-5 |
| 5 | 2 | TENSION RETAINING BD SUPPORTS | C 6912-7 |
| 6 | 1 | PWA, CT810A MAIN DUAL POT | 125412-3 |
| 7 | 2 | NYL THUMBSCREW WASHER | D 4137-2 |
| 8 | 2 | 8-18X1.375 PH PNHD ST SCR Z | A10109-10822 |
| 9 | 2 | .75" SPACER TOGGLE NUT PLASTIC | C 6914-3 |
| 10 | 12(per channel) | 6-32 X .56 HEX WSHR HD W/T15 | A10315-1 |
| 11 | 1 | CHASSIS, CT'10A 3U CE (810A) | 125302-1 |

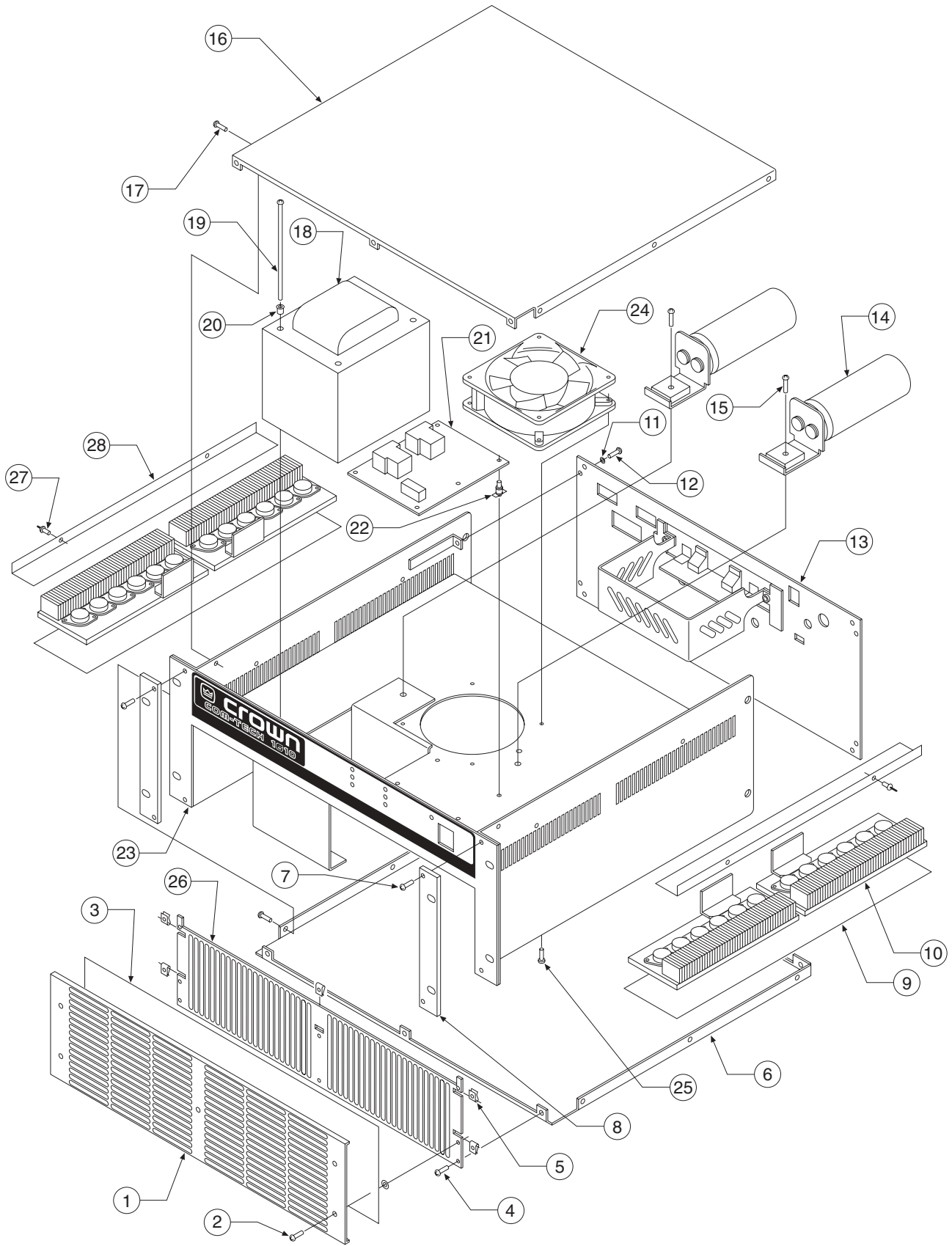


Figure 7.5 Com-Tech 1610 Main Chassis

| Item | Qty. | Description | CPN |
|-------------|----------------|---------------------------------|---------------|
| 1 | 1 | GUARD, 4.024: FINGER BLK | F11577J7 |
| 2 | 3 | 8-32 X.5 OVAL HD PH MSCR BZ | A10090-70808 |
| 3 | 1 | FILTER, FR AIR 16.23 X 4.9 | D 7119-7 |
| 4 | 3 | .5 X .136 X .02 NYLON WASHER | A10101-5 |
| 5 | 3 | CLIP, CT/MA/MT/PB FIL GRILLE | A10173-1 |
| 6 | 1 | CVR, MA MT PB CT TOP PC | D 8501-5 |
| 7 | 4 | 8-32 X .5 PNHD PH TAPTITE BLK | A10110-70808 |
| 8 | 2 | END CAP, 7" BLK PC | F12708-8 |
| 9 | 1(per channel) | SILPAD, 2.87X14.57 7 MIL | D 7796-2 |
| 10 | 2(per channel) | HEAT SINK ASSEMBLY | See Fig. 7.9 |
| 11 | 3 | #6 INT STAR WASHER BLACK | A10094-3 |
| 12 | 3 | 6-32X.312 PAN HD T15 TT TYPE W | C 9491-9 |
| 13 | 1 | BACK PANEL ASSEMBLY | See Fig. 7.7 |
| 14 | 2 | CAPACITOR ASSEMBLY | See Fig. 7.10 |
| 15 | 2 | 10-32 X .50 RDHD PH MSCR Z | A10086-11008 |
| 16 | 1 | CVR, MA MT PB CT TOP PC | D 8501-5 |
| 17 | 8 | SCREW, 6-32X.312 TORX PNHD SEM | 103415-70605 |
| 18 | 1 | XFMR, CT1610/A 120V 60HZ | 102782-1 |
| 18 | 1 | XFMR, CT1610/A 100/120V 50/60HZ | 102783-1 |
| 18 | 1 | XFMR, CT1610/A 220/240V 50/60HZ | 102784-1 |
| 19 | 4 | 10-32 X 1.75 TRHD PH MSCR Z | A10087-11028 |
| 20 | 4 | #10 NYL SHLDR WASHER #10-375-A | A10099-7 |
| 21 | 1 | PWA, CT'10A CONTROL 220/240V CE | 125235-1 |
| 21 | 1 | PWA, CT1610A CONTROL 100V | 125417-1 |
| 21 | 1 | PWA, CT1610A CONTROL 120V | 125418-1 |
| 21 | 1 | PWA, CT'10A CONTROL 220/240V | 125419-1 |
| 22 | 5 | 4 PC BOARD SUPPORT | C6032-4 |
| 23 | 1 | CHASSIS, CT'10A 4U CE (1610A) | 125303-1 |
| 24 | 1 | FAN, 4.7" BALL BEARING 4715-FS | C 7858-1 |
| 25 | 2 | 6-32X.312 PAN HD T15 TT TYPE W | C 9491-9 |
| 26 | 1 | GRILLE, 5.1" FILTER BLK PC | F12712-0 |
| 27 | 4 | PLASTI-RIVET, .156 2 PRONG BLK | C 9387-9 |
| 28 | 2 | SHROUD, 1.75X14.45 PAPER | D 8197-2 |

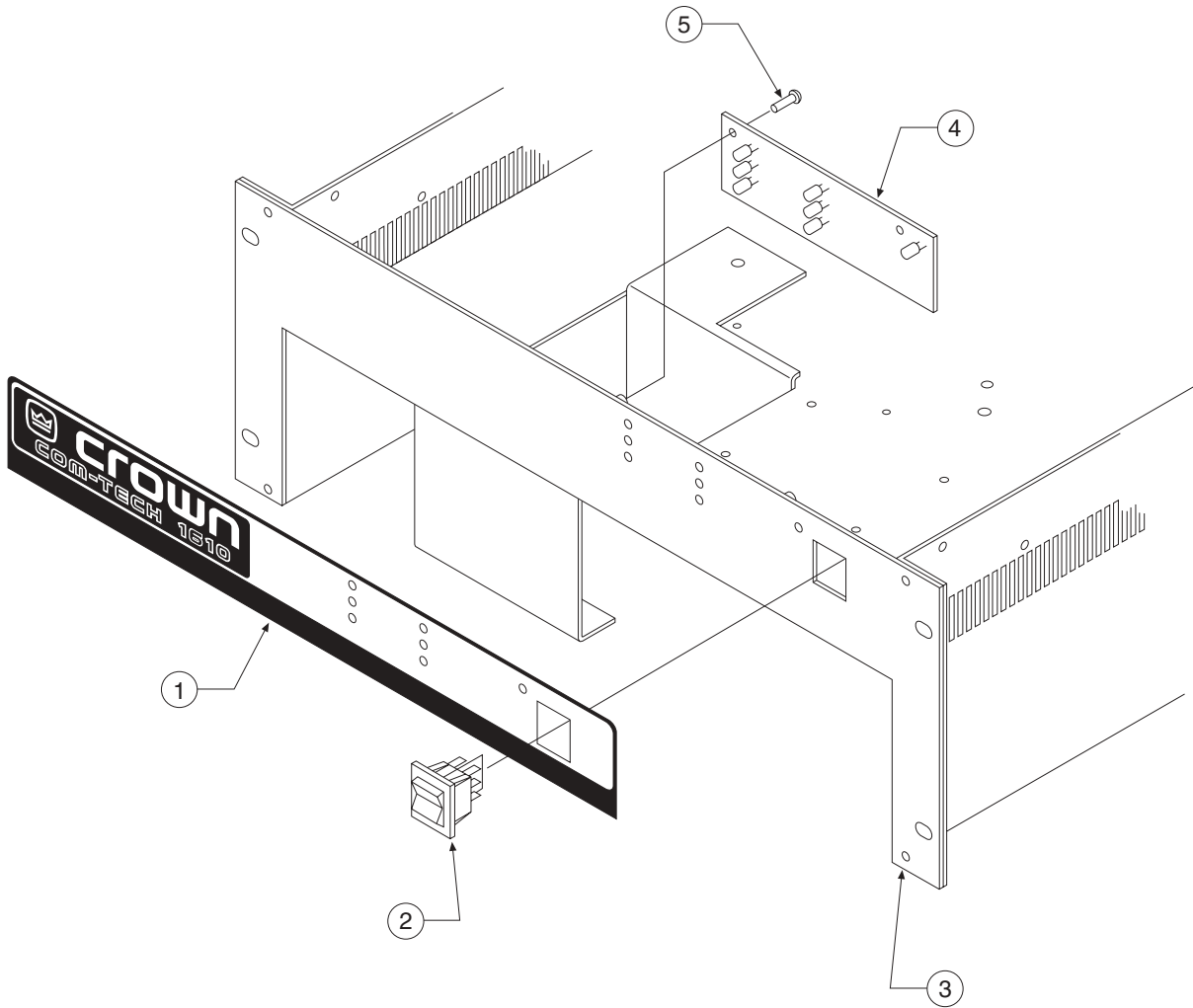


Figure 7.6 Com-Tech 1610 Front Panel

| Item | Qty. | Description | CPN |
|-------------|-------------|--------------------------------|------------|
| 1 | 1 | OVERLAY, CT1610 REM FP | 101743-1 |
| 2 | 1 | SWITCH, DPDT CENTER OFF 16A | 101843-1* |
| 3 | 1 | CHASSIS, CT'10A 4U CE | 125303-1 |
| 4 | 1 | PWA, CT10A DISPLAY | 125402-1 |
| 5 | 2 | 6-32X.312 PAN HD T15 TT TYPE W | C 9491-9 |

* Com-Tech 1610A only.

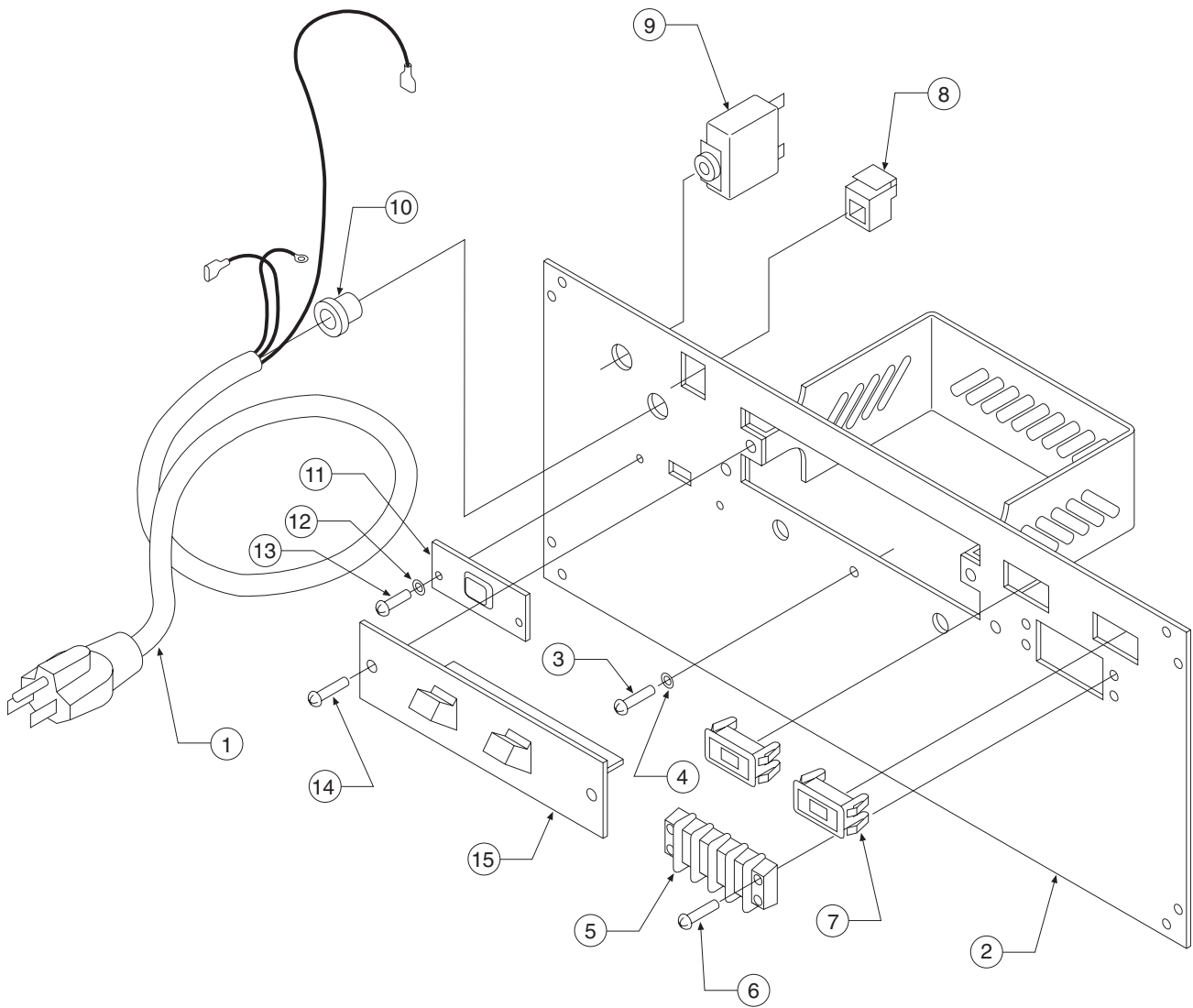


Figure 7.7 Com-Tech 1610 Rear Panel

| <u>Item</u> | <u>Qty.</u> | <u>Description</u> | <u>CPN</u> |
|-------------|-------------|---|--------------|
| 1 | 1 | PWR CORD, 14-3 SJT NEON 39 IN, 120V DOMESTIC | A11793-0108N |
| 1 | 1 | PWR CORD, 14-3 SJT 5-15 39 IN, 100V, 220V, 120 EXP. | A11793-0308N |
| 1 | 1 | PWR CORD, EUR PLUG 39 IN, 220V CE | A10793-0507R |
| 1 | 1 | PWR CORD, INDIA PLUG 39 IN, 240V | A10793-0707R |
| 1 | 1 | PWR CORD, AUSTRALIA PLUG 39 IN, 240V | A10793-0807R |
| 2 | 1 | BP, CT1610A REM PIP2 4U DOMESTIC | 102542-1* |
| 3 | 3 | 8-32 X .5 PNHD PH TAPTITE BLK | A10110-70808 |
| 4 | 3 | #8 INT STAR LOCKWASHER BLACK | A10094-5 |
| 5 | 1 | 4-141-Y #6 BARRIER BLOCK | C 5990-4 |
| 6 | 4 | 8-32 X .37 RDHD BZ MSCR | A10086-70806 |
| 7 | 2 | DPDT 15A SLIDE SW PNL MT | C 7957-1 |
| 8 | 1 | JACK, RJ11 PANEL MOUNT | 102686-1 |
| 9 | 1 | BRKR, 1 POLE 20A SNAP-IN VDE 1610A, 220V, 240V | C10177-1 |
| 9 | 1 | BRKR, 30A 250VAC SNAP-IN THERM1610A, 100V, 120V | C 9837-3 |
| 10 | 1 | STRAIN RELIEF SR7N-2 BLACK (14-3) | A10214-7 |
| 10 | 1 | STRAIN RELIEF, EUR SR-6P30-CEE | C10187-0 |
| 11 | 1 | COVER, DUAL/MONO SWITCH PC | 100454-1 |
| 12 | 2 | #6 INT STAR WASHER BLACK | A10094-3 |
| 13 | 2 | 6-32X.312 PAN HD T15 TT TYPE W | C 9491-9 |
| 14 | 2 | 8-32 X .37 RDHD BZ MSCR | A10086-70806 |
| 15 | 1 | ASM, PIP2BB | 100450-1 |

* Com-Tech 1610A only.

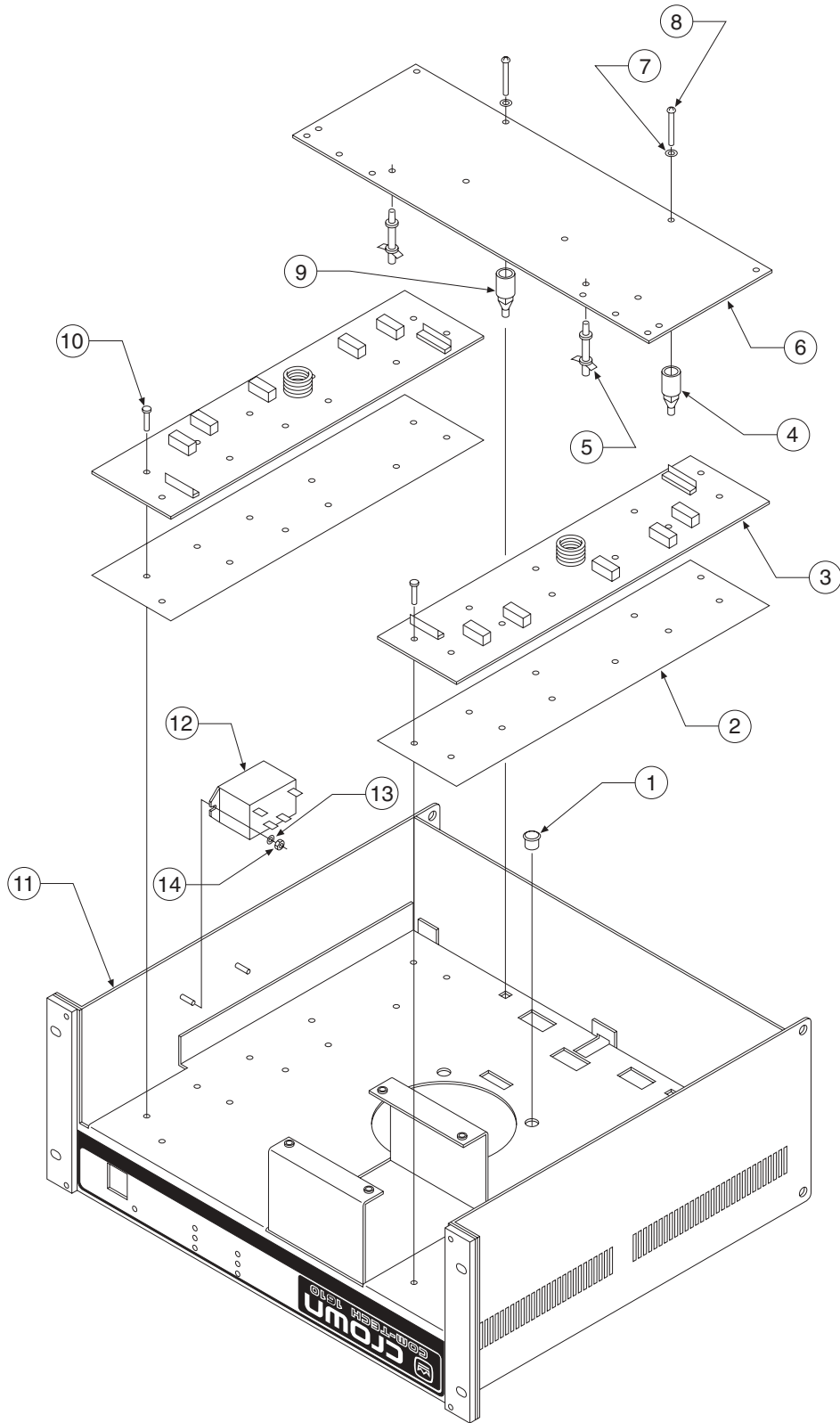


Figure 7.8 Com-Tech 1610 Bottom Chassis

| Item | Qty. | Description | CPN |
|-------------|-----------------|--------------------------------|--------------|
| 1 | 2 | OCB.500 SNAP BUSHING | A10192-1 |
| 2 | 1(per channel) | INSULATOR, THROUGH HOLE OUTPUT | 125547-1 |
| 3 | 1(per channel) | PWA, CT810A/1610A OUTPUT | 102774-1 |
| 4 | 2 | 1" SPACER TOGGLE NUT, PLASTIC | C 6913-5 |
| 5 | 2 | TENSION RETAINING BD SUPPORTS | C 6912-7 |
| 6 | 1 | PWA, CT1610A MAIN DUAL POT | 125413-2 |
| 7 | 2 | NYL THUMBSCREW WASHER | D 4137-2 |
| 8 | 2 | 8-18X1.375 PH PNHD ST SCR Z | A10109-10822 |
| 9 | 2 | .75" SPACER TOGGLE NUT PLASTIC | C 6914-3 |
| 10 | 12(per channel) | 6-32 X .56 HEX WSHR HD W/T15 | A10315-1 |
| 11 | 1 | CHASSIS, CT'10A 4U CE (1610A) | 125303-1 |
| 12 | 1 | 30A 120VAC SPST RELAY | C 7859-9 |
| 13 | 2 | #6 INT STAR WASHER ZINC | A10094-4 |
| 14 | 2 | 6 X 32 HEX NUT | A10102-5 |

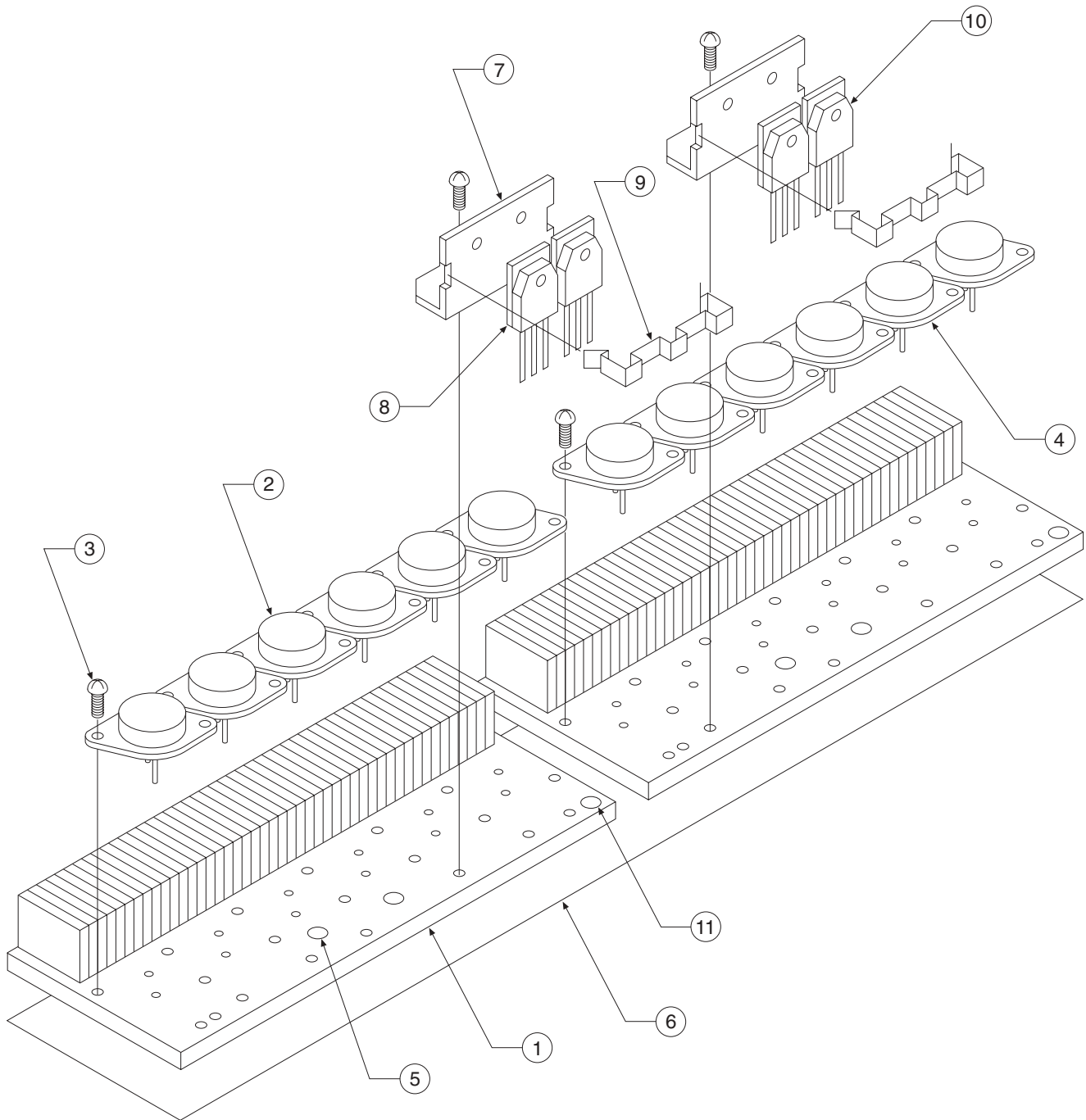


Figure 7.9 Com-Tech 810 & 1610 Heatsink Assembly

| Item | Qty. | Description | CPN |
|------|-----------------|-------------------------------------|----------|
| 1 | 2(per channel) | HS, ALUM 3/4" FINS ADH #7 | M21324-5 |
| 2 | 6(per channel) | SJ7148 NPN PWR XSISTOR | C 8187-4 |
| 3 | 28(per channel) | 6-32X.312 PAN HD T15 TT TYPE W | C 9491-9 |
| 4 | 6(per channel) | TRANSISTOR,PNP SELECT C 8188-2 | D 9213-6 |
| 5 | 1(per channel) | ASM, THERMAL SENSE | H42902-9 |
| 6 | 1(per channel) | SILPAD, 2.87X14.57 7 MIL | D 7796-2 |
| 7 | 2(per channel) | BRKT, T03P HEATSINK | D 7666-7 |
| 8 | 2(per channel) | 2SC2837 PWR NPN T03P SANKEN, DRIVER | C 8574-3 |
| 9 | 2(per channel) | CLIP, T03P MOUNTING | D 7665-9 |
| 10 | 2(per channel) | 2SA1186 PWR PNP T03P SANKEN, DRIVER | C 8573-5 |
| 11 | 1(per channel) | ASM, BIAS XSISTOR | H42901-1 |

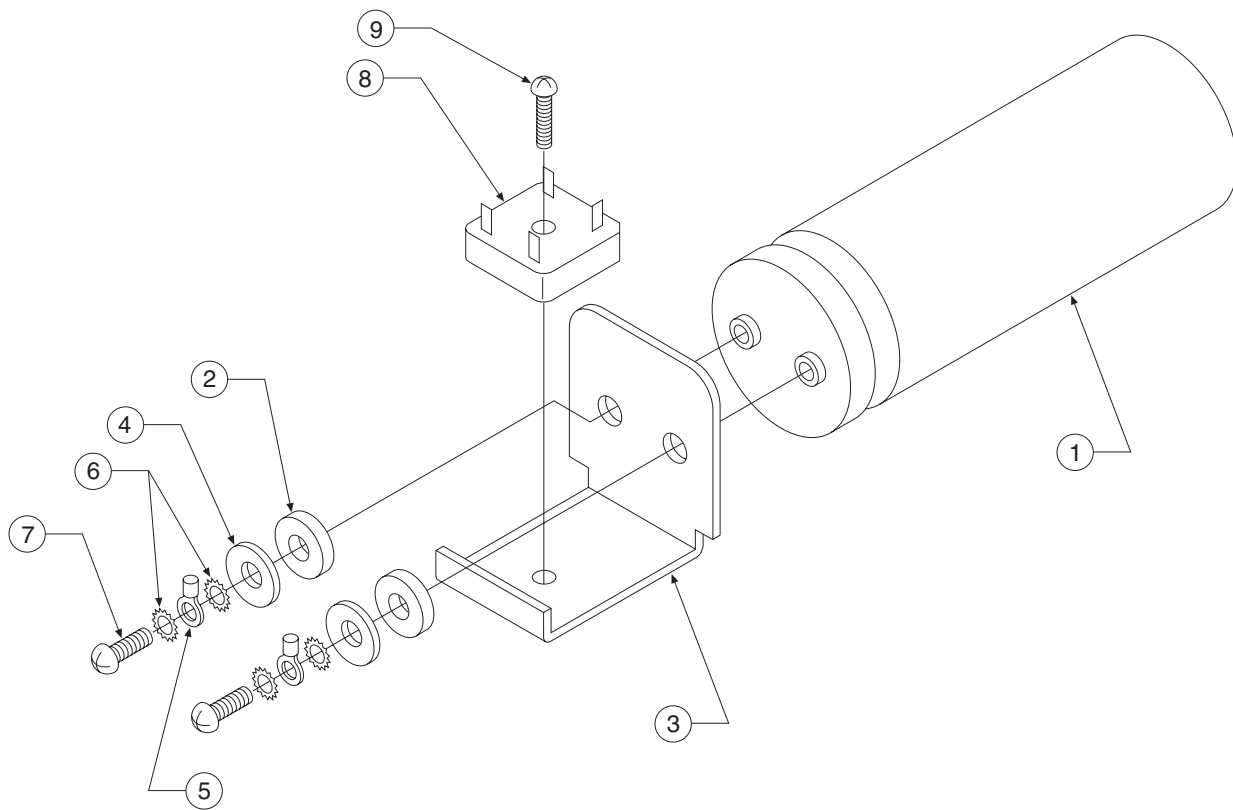


Figure 7.10 Com-Tech 810 & 1610 Capacitor Assembly

| Item | Qty. | Description | CPN |
|------|----------------|---|--------------|
| 1 | 1(per channel) | 6300UF 150V ELECTROLYTIC CAP | D 8639-3 |
| 2 | 2(per channel) | WSHR, SHOULDER CAP ASM | D6764-1 |
| 3 | 1(per channel) | BRACKET, CAPACITOR | D 8438-0 |
| 4 | 2(per channel) | 1/4" BELLEVILLE SPRING WSHR | A10098-5 |
| 5 | 2(per channel) | #8 RING TERM 16-22 AWG PIDG | C 7897-9* |
| 6 | 4(per channel) | #10 INT TOOTH LOCKWASHER ZINC | A10094-8 |
| 7 | 2(per channel) | 10-32 X .50 RDHD PH MSCR Z | A10086-11008 |
| 8 | 1(per channel) | 35A 400V BRIDGE RECTIFIER | C 8752-5 |
| 8 | 1(per channel) | RECTIFIER, 35A W/.1UF CAP WELD (export) | H43603-2 |
| 9 | 2(per channel) | 10-32 X .50 RDHD PH MSCR Z | A10086-11008 |

* Also part of wire assemblies H43469-8 and H43470-6.

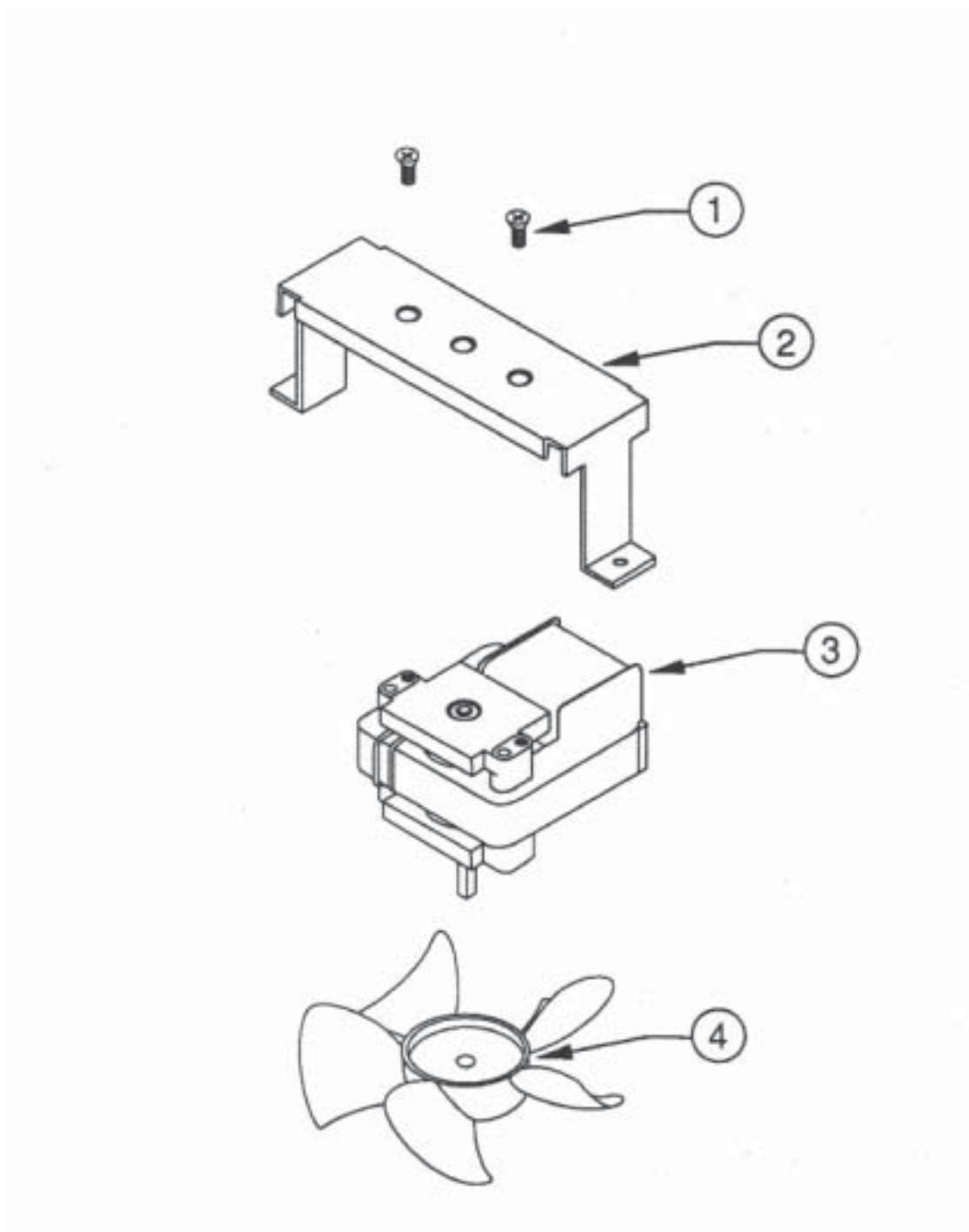


Figure 7.11 Com-Tech 810 Transmotor Assembly

| <u>Item</u> | <u>Qty.</u> | <u>Description</u> | <u>CPN</u> |
|-------------|-------------|--------------------------------|------------|
| 1 | 2 | 6-32 X5/16 UNDERCUT FLTHD MSCR | C 7062-0 |
| 2 | 1 | BRACKET, FAN | D 8439-8 |
| 3 | 1 | MOTOR, CT FAN PREP CE | 101399-1 |
| 4 | 1 | FAN BLADE, 4.0 INCH CCW | C 9939-7 |

8 Schematics and Module Documentation

MODULE HISTORY

The Com Tech 10A can be distinguished from the Com Tech 10 by the addition of an RJ11 jack located on the back panel. The Com Tech 10 amplifiers do NOT have this jack, only the 10As do. There have been several revisions, some which call for new modules. The following is a list of all modules used up to August 1998. (NLA is No Longer Available.)

DISPLAY MODULES:

Q43468-0

Built on D9001-5 board. NLA. Original PIP2, CT10 module. Replace with 125402-1.

100281-1

Built on 100280-1 board. NLA. CT10 module. Replace with 102682-1.

102682-1

Built on 102683-1 board. Original CT10A module. Replace with 125402-1.

125402

Built on 125403-1 board. Current Production.

OUTPUT MODULES CT-810(A)/1610(A):

Q43471-4

Built on D9139-3 board. NLA. Original CT10 module. Replace with 102774-1.

100289-1

Built on 100286-1 board. NLA. Replace with 102774-1.

100289-2

Built on 100286-1 board. NLA. Replace with 102774-1.

102774-1

Built on 102770-2 board. Original CT10A module. Current Production.

NOTE: For Control Board replacement instructions, refer to page 8-3.

CONTROL MODULES:

220/240V:

101057-1

Built on 100283-1 board. NLA. Original CT10 module. Replace with 102831-1.

101057-2

Built on 100283-1 board. NLA. Added remote turn-on, removed extra fan circuitry and added cap for turn on/off transients. Replace with 102831-1.

102831-1

Built on 102824-1 board. NLA. Original CT10A module. Replace with 125419-1.

125235-1

Built on 125235-1 board. CE version, for use on amplifiers that carry the CE rating. Current Production.

125419-1

Built on 125415-1 board. Current Production.

120V:

Q43474-8

Built on D9140-1 board. NLA. Replace with 102825-1.

100284-1

Built on 100283-2 board. NLA. Replace with 102825-1.

100284-2

Built on 100283-2 board. NLA. Replace with 102825-1.

101531-1

Built on 100283-2 board. Used on CT-1610 only. Added remote turn-on, removed extra fan circuitry and added cap for turn on/off transients. Replace with 125418-1.

102825-1

Built on 102824-1 board. If unit is a CT-1610A, replace with 125418-1. Otherwise use 125416-1.

102829-1

Built on 102824-1 board. NLA. Used in CT-1610A only. Replace with 125418-1.

125416-1

Built on 125415-1 board. Used in CT-210A/410A/810A. Current Production.

125418-1

Built on 125415-1 board. Used in CT-1610A only. Current Production.

100V:

101130-1

Built on 100283-1 board. NLA. Replace with 102833-1.

101130-2

Built on 100283-2 board. NLA. Replace with 125420-1.

101530-1

Built on 100283-2 board. NLA. Used in CT-1610 only. Replace with 125417-1.

102827-1

Built on 102824-1 board. NLA. Used in CT-1610A only. Replace with 125417-1.

102829-1

Built on 102824-1 board. NLA. Used in CT-1610A only.
Replace with 125417-1.

102833-1

Built on 102824-2 board. NLA. Replace with 125420-1.

125148-1

Built on 125415-1 board. NLA. Used in CT-1610A only.
Replace with 125417-1.

125417-1

Built on 125415-1 board. Used in CT-1610A only. Current Production.

125420-1

Built on 125415-1 board. Current Production.

MAIN MODULE:**CT-810(A)**Q43472-2

Built on D9000-7 board. NLA. Replace with 100296-3.

100296-1

Built on 100291 board. NLA. Replace with 100296-3.

100296-2

Built on 100291 board. NLA. Replace with 100296-3.

100296-3

Built on 100291-2 board. NLA. Replace with 102755-1.

102755-1

Built on 102756-1 board. Replace with 125274-1.

125274-1

Built on 125266-1 board. Dual Pot. Replace with 125412-3.

125412-1

Built on 125414 board. Dual Pot. Replace with 125412-3.

125412-2

Built on 125414-3 board. NLA. Dual Pot. Replace with 125412-3.

125412-3

Built on 125414-3 board. Current Production.

CT-1610(A)Q43473-0

Built on D9000-7 board. NLA. Replace with 100298-3.

100298-1

Built on 100291 board. NLA. Replace with 100298-3.

100298-2

Built on 100291 board. Replace with 100298-3.

100298-3

Built on 100291-2 board. NLA. Replace with 102789-1.

102789-1

Built on 102756-1 board. Replace with 125275-1.

125275-1

Built on 125266-1 board. Dual Pot. Replace with 125413-2.

125413-1

Built on 125414 board. Dual Pot. Replace with 125413-2.

125413-2

Built on 125414-3 board. Dual Pot. Current Production.

SCHEMATIC INFORMATION:

The schematics provided are representative only. There may be slight variations from amplifier to amplifier. These schematics are intended to be used for troubleshooting purposes only.

| Module | Schematic |
|---------------------------------|------------------|
| Com-Tech 10 Main | 100294 |
| Com-Tech 810 Main | 100297 |
| Com-Tech 810A Main | 125408 |
| Com-Tech 810A Main | 102768 |
| Com-Tech 810A Main (Dual Pot) | 102768 |
| Com-Tech 1610 Main | 100299 |
| Com-Tech 1610A Main | 125409 |
| Com-Tech 1610A Main | 102769 |
| Com-Tech 1610A Main (Dual Pot) | 102769 |
| Com-Tech 10 Display | 100281 |
| Com-Tech 10A Display | 125402 |
| Com-Tech 10A Display | 102682 |
| Com-Tech 10 Control 120 | 100284 |
| Com-Tech 10 Control 220/240 | 101057 |
| Com-Tech 10A Control 220/240 | 125419 |
| Com-Tech 10A Control 220/240 CE | 125235 |
| Com-Tech 1610 Control 120V | 101529 |
| Com-Tech 1610A Control 120V | 125423 |
| Com-Tech 1610A Control 120V | 102830 |
| Com-Tech 1610 Control 100V | 101528 |
| Com-Tech 1610A Control 100V | 125422 |
| Com-Tech 1610A Control 100V | 102828 |
| Com-Tech 810/1610 Output | 100290 |
| Com-Tech 810A/1610A Output | 102773 |

CONTROL MODULE REPLACEMENT MODIFICATION INFORMATION:

The newer replacement control modules must have a connection directly to chassis ground. If the old amplifier control module was attached with five plastic stand-offs and one metal pem, then no modification is required. If the old amplifier control module was attached with six plastic stand-offs, then a ground wire must be added to the new control module.

The grounding wire should be at least 14 AWG wire and approximately 14 inches (35 cm) in length. One end of the wire should have a #8 ring terminal, which can be attached to the chassis ground lug used by the AC power cord. The other end of the grounding wire can be soldered to the control board at the ground pad. The grounding pad is located at the corner of the board around the mounting hole (it is also labeled "chassis ground"). The Crown part number for this wire is A11544-4140G.

All other wires and cables connecting to the control module should use the same location on the new control module as was used on the old module.

The older CT10 series amplifiers use a 2 position on/off switch with no remote position. This switch has only one wire that should be connected to tab W1 on the new control board.

This page intentionally left blank.

**CT810 Main Module Information On Following Pages
Documentation, Component Map, Schematic**

CROWN INTERNATIONAL

INACTIVE
For Reference Use Only

100296


| | | | | |
|----------|---------------|---|-------------|-----|
| REVISION | C | TITLE: PWA; CT810 MAIN FIRST MADE FOR: CT10 SERIES | PRINTS | K |
| MADE BY | TOM SZERENCSE | | SHEET NO. | 1 |
| DATE | 02-24-97 | | CONT. ON SH | 2 |
| PROJ. | D360 | | DRAWN | TLM |

REVISION CONTROL SHEET FOR MULTI-SHEET DOCUMENTS

REVISION IN THE UPPER LEFT CORNER OF THIS SHEET IS THE REVISION FOR THE ENTIRE DOCUMENT

| REFERENCE → | DATE → | DATE → | DATE → | | | | | | | | | | |
|-------------|----------|----------|----------|--|--|--|--|--|--|--|--|--|--|
| | 08-09-96 | 11-11-96 | 02-24-97 | | | | | | | | | | |
| SHEET NO. ↓ | | | | | | | | | | | | | |
| 3 | A | B | C | | | | | | | | | | |
| 4 | A | B | C | | | | | | | | | | |
| 5 | A | A | B | | | | | | | | | | |
| 6 | A | A | B | | | | | | | | | | |
| 7 | A | A | B | | | | | | | | | | |
| 8 | A | B | C | | | | | | | | | | |
| 9 | A | A | B | | | | | | | | | | |
| 10 | A | A | B | | | | | | | | | | |
| 11 | A | A | B | | | | | | | | | | |
| 12 | A | A | B | | | | | | | | | | |
| 13 | A | A | B | | | | | | | | | | |
| 14 | A | A | B | | | | | | | | | | |
| 15 | A | B | C | | | | | | | | | | |
| 16 | A | A | B | | | | | | | | | | |
| 17 | A | B | C | | | | | | | | | | |
| 18 | A | A | B | | | | | | | | | | |
| 19 | A | A | B | | | | | | | | | | |
| 20 | A | A | B | | | | | | | | | | |
| 21 | A | A | B | | | | | | | | | | |
| 22 | A | A | B | | | | | | | | | | |
| 23 | A | A | B | | | | | | | | | | |
| 24 | A | A | B | | | | | | | | | | |

THESE DRAWINGS AND SPECIFICATIONS ARE THE PROPERTY OF CROWN INTERNATIONAL, INC. AND SHALL NOT BE REPRODUCED, COPIED, OR USED AS THE BASIS FOR THE MANUFACTURE OR SALE OF APPARATUS OR DEVICES WITHOUT PERMISSION.

| APPROVALS | NAME | DATE |
|-----------|---|---------|
| EE |  | 2-24-97 |
| PE | | |
| MFG | | |

CROWN INTERNATIONAL

INACTIVE
For Reference Use Only

100296

| | | | | |
|----------|---------------|---|-------------|-----|
| REVISION | C | TITLE: PWA; CT810 MAIN FIRST MADE FOR: CT10 SERIES | PRINTS | K |
| MADE BY | TOM SZERENCSE | | SHEET NO. | 2 |
| DATE | 02-24-97 | | CONT. ON SH | 3 |
| PROJ. | D360 | | DRAWN | TLM |

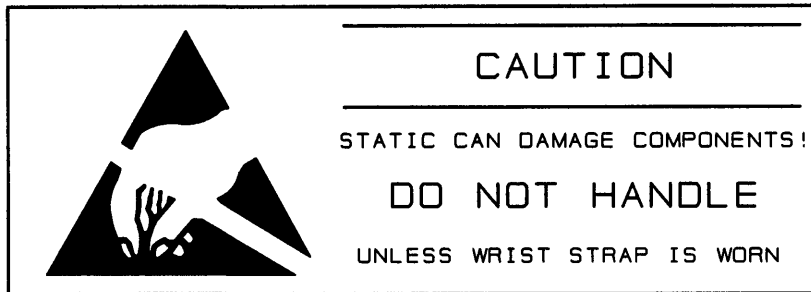
REVISION CONTROL INFORMATION

| NAME | SHEET NO. | SHEET REV. | ACTION |
|---------------|-------------------|------------|---|
| PAT WIERS | 1-24 | A | INITIAL RELEASE |
| TOM SZERENCSE | 1-4, 8, 15, 17 | B | INITIAL RELEASE OF 100296-2. RESORTED PART NUMBERS TO MATCH A5400 BILL. R107 AND R207 WERE C 9785-4. |
| TOM SZERENCSE | 1-24 | C | INITIAL RELEASE OF 100296-3. C155 & C255 WERE 22MF 50V. R115 & R215 WERE 274K. R118 & R218 WERE 9.53K. R333 & R433 WERE 665. R335 & R435 WERE 1MOHM. C1 WAS C 3913-8. R336 & R436 WERE 220. J800 WAS D 8681-5. J801 WAS D8680-7. C170 & C270 WERE 0.0047. C155 & C255 WERE 4.7 63V LYTIC U100 & U200 WERE C 7558-7. ADDED C171, C172, C271, C272 100MFD 25V ELECTROLYTICS. ADDED C173 AND C273 10MFD 16V ELECTROLYTICS. ADDED R371 & R471 10KOHM 1/4W. ADDED D135 & D235 1N9618. ADDED D133, D134, D233 AND D234 1N4148. |

UNLESS OTHERWISE SPECIFIED, THE FINISHED PWA SHALL MEET:
IPC-A-610_ CLASS 2

NOTES:

1. SCHEMATIC DRAWING NUMBER 100297.
2. PWB PART NUMBER 100291-2.
3. PWA PART NUMBER 100296-3.
4. ALL LEADS SHALL BE TRIMMED TO 0.093" OR LESS.
5. POSITION COMPONENTS AS SHOWN ON COMPONENT MAP.
6. INSERT 8 PIN IC SOCKET (C 3451-9) AT REFERENCE DESIGNATION LOCATION U3. IC IS INSTALLED ON A LATER ASSEMBLY.
7. REMOVE SOLDER OR PREVENT SOLDER FROM ACCUMULATING IN HOLES INDICATED ON THE COMPONENT MAP.
8. INSTALL HEATSINK (C 9494-3) AT REFERENCE DESIGNATION LOCATIONS U1 AND U2.
9. INSTALL CABLE TIE (C 8812-7) AT REFERENCE DESIGNATION LOCATIONS J700, J701, J800 AND J801.
 - 9A. USE A 0.25" DIAMETER ROD AS A GAUGE TO CHECK THE TIGHTNESS OF THE CABLES.
ON THE COMPONENT SIDE PRESS THE CABLE AGAINST THE BOARD. THE GAUGE SHOULD NOT FIT UNDER THE CABLE TIE.
10. U102A, U104A, U202A AND U204A ARE ALTERNATE COMPONENT PARTS.
11. THE CROWN PART NUMBER FOR THIS MODULE SHALL BE MARKED ON THE P.C. BOARD AND SHALL BE PERMANENT.



INACTIVE

For Reference Use Only

| | | | |
|---------------------------------|------|------------------------|--------------------------------|
| CROWN INTERNATIONAL INC. | | | |
| 1718 WEST MISHAWAKA ROAD | | ELKHART, INDIANA 46517 | PHONE (219) 294-8000 |
| DRAWN | TLM | 02-24-97 | DWG. NO. |
| PROJ. | D360 | | 100296 |
| | | | SHEET 3 CONT. ON SHEET 4 |
| | | | REV C |

THESE DRAWINGS AND SPECIFICATIONS ARE THE PROPERTY OF CROWN INTERNATIONAL, INC. AND SHALL NOT BE REPRODUCED, COPIED, OR USED AS THE BASIS FOR THE MANUFACTURE OR SALE OF APPARATUS OR DEVICES WITHOUT PERMISSION.

PARTS LIST

| C. P. N. | DESCRIPTION | QTY | REFERENCE DESIGNATION |
|--------------|--------------------------|-----|---|
| A10124-24 | WIRE, #24 SOLID BUS | 8" | R12, R13, R168, R268 |
| A10265-10R01 | 10.0 OHM .25W 1 MF T/R | 4 | R359, R362, R459, R462 |
| A10265-10001 | 100. OHM .25W 1 MF T/R | 8 | R181, R184, R195, R198, R281, R284, R295, R298 |
| A10265-10011 | 1.0 KOHM .25W 1 MF T/R | 6 | R159, R259, R336, R367, R436, R467 |
| A10265-10021 | 10. KOHM .25W 1 MF T/R | 20 | R100, R101, R102, R104, R160, R163, R178, R191, R200, R201, R202, R204, R260, R263, R278, R291, R337, R371, R437, R471, |
| A10265-10031 | 100. KOHM .25W 1 MF T/R | 10 | R114, R119, R130, R131, R214, R219, R230, R231, R4, R7 |
| A10265-10521 | 10.5KOHM .25W 1% MF T/R | 2 | R118, R218 |
| A10265-10721 | 10.7KOHM .25W 1% MF T/R | 2 | R116, R216 |
| A10265-11821 | 11.8 KOHM .25W 1% MF T/R | 2 | R108, R208 |
| A10265-14321 | 14.3 KOHM .25W 1% MF T/R | 4 | R187, R287, R301, R401 |
| A10265-15031 | 150 KOHM .25 1% MF T/R | 2 | R115, R215 |
| A10265-17821 | 17.8KOHM .25W 1% MF T/R | 2 | R173, R273 |
| A10265-18221 | 18.2KOHM .25W 1% MF T/R | 4 | R364, R366, R464, R466 |
| A10265-19121 | 19.1KOHM .25W 1% MF T/R | 4 | R189, R289, R303, R403 |
| A10265-20011 | 2.0 KOHM .25W 1% MF T/R | 8 | R179, R180, R192, R193, R279, R280, R292, R293 |
| A10265-20031 | 200. KOHM .25W 1 MF T/R | 2 | R117, R217 |
| A10265-24921 | 24.9 KOHM .25W 1% MF T/R | 8 | R109, R111, R174, R209, R211, R274, R5, R6 |
| A10265-27401 | 274. OHM .25W 1% MF T/R | 4 | R143, R144, R243, R244 |
| A10265-27431 | 274. KOHM .25W 1% MF T/R | 4 | R165, R169, R265, R269 |
| A10265-28701 | 287. OHM .25W 1% MF T/R | 2 | R333, R433 |
| A10265-30111 | 3.01KOHM .25W 1 MF T/R | 4 | R363, R365, R463, R465 |
| A10265-32421 | 32.4KOHM .25 1% MF T/R | 4 | R188, R288, R302, R402 |
| A10265-33221 | 33.2KOHM .25W 1% MF T/R | 4 | R177, R190, R277, R290 |
| A10265-35711 | 3.57KOHM .25W 1 MF T/R | 4 | R149, R150, R249, R250 |
| A10265-35731 | 357. KOHM .25W 1 MF T/R | 2 | R305, R405 |
| A10265-39221 | 39.2KOHM .25W 1% MF T/R | 2 | R304, R404 |
| A10265-46421 | 46.4 KOHM .25W 1% MF T/R | 1 | R1 |
| A10265-49911 | 4.99KOHM .25W 1 MF T/R | 10 | R105, R106, R113, R123, R175, R205, R206, R213, R223, R275, |
| A10265-49931 | 499KOHM .25W 1% MF T/R | 2 | R332, R432 |
| A10265-51121 | 51.1 KOHM .25W 1% MF T/R | 6 | R182, R196, R282, R296, R329, R429 |
| A10265-53621 | 53.6 KOHM .25W 1% MF T/R | 1 | R2 |
| A10265-66501 | 665. OHM .25W 1 MF T/R | 8 | R142, R145, R146, R147, R242, R245, R246, R247 |
| A10265-68111 | 6.81KOHM .25W 1% MF T/R | 8 | R176, R183, R194, R197, R276, R283, R294, R297 |
| A10265-69811 | 6.98 KOHM .25W 1% MF T/R | 2 | R110, R210 |
| A10265-95311 | 9.53KOHM .25W 1% MF T/R | 4 | R166, R170, R266, R270 |

INACTIVE

For Reference Use Only

CROWN INTERNATIONAL INC.

1718 WEST MISHAWAKA ROAD ELKHART, INDIANA 46517 PHONE (219) 294-8000

THESE DRAWINGS AND SPECIFICATIONS ARE THE PROPERTY OF CROWN INTERNATIONAL, INC. AND SHALL NOT BE REPRODUCED, COPIED, OR USED AS THE BASIS FOR THE MANUFACTURE OR SALE OF APPARATUS OR DEVICES WITHOUT PERMISSION.

| | | | | | |
|-------|------|----------|----------|------------------|-----|
| DRAWN | TLM | 02-24-97 | DWG. NO. | SHEET 4 | REV |
| PROJ. | D360 | | 100296 | CONT. ON SHEET 5 | (C) |

PARTS LIST

| C. P. N. | DESCRIPTION | QTY | REFERENCE DESIGNATION |
|-------------|----------------------------|-----|---|
| A10266-1031 | 10. KOHM .25W 5% CF T/R | 18 | R153, R156, R253, R256, R343, R345, R347, R348, R349, R352, R357, R443, R445, R447, R448, R449, R452, R457 |
| A10266-1041 | 100. KOHM .25W 5% CF25 T/R | 10 | R148, R151, R248, R251, R308, R325, R338, R408, R425, R438, |
| A10266-1051 | 1.0 MOHM .25W 5 CF T/R | 3 | R10, R8, R9 |
| A10266-1211 | 120. OHM .25W 5 CF T/R | 2 | R360, R460 |
| A10266-1231 | 12. KOHM .25W 5% CF T/R | 4 | R124, R125, R224, R225 |
| A10266-1321 | 1.3 KOHM .25W 5 CF T/R | 4 | R122, R167, R222, R267 |
| A10266-1521 | 1.5 KOHM .25W 5% CF T/R | 4 | R307, R323, R407, R423 |
| A10266-1541 | 150. KOHM .25W 5% CF T/R | 2 | R172, R272 |
| A10266-1831 | 18. KOHM .25W 5% CF T/R | 4 | R334, R370, R434, R470 |
| A10266-2031 | 20. KOHM .25W 5 CF T/R | 6 | R341, R351, R358, R441, R451, R458 |
| A10266-2051 | 2.0 MOHM .25W 5 CF T/R | 4 | R322, R335, R422, R435 |
| A10266-2201 | 22.0 OHM .25W 5 CF T/R | 6 | R112, R135, R138, R212, R235, R238 |
| A10266-2721 | 2.7 KOHM .25W 5 CF T/R | 8 | R126, R127, R154, R157, R226, R227, R254, R257 |
| A10266-2731 | 27. KOHM .25W 5 CF T/R | 2 | R319, R419 |
| A10266-2741 | 270. KOHM .25W 5% CF25 T/R | 4 | R185, R199, R285, R299 |
| A10266-2751 | 2.7 MOHM .25W 5% CF T/R | 2 | R331, R431 |
| A10266-3021 | 3.0 KOHM .25W 5 CF T/R | 4 | R158, R258, R306, R406 |
| A10266-3321 | 3.3 KOHM .25W 5% CF T/R | 4 | R320, R321, R420, R421 |
| A10266-3921 | 3.9 KOHM .25W 5% CF T/R | 2 | R342, R442 |
| A10266-4701 | 47.0 OHM .25W 5 CF T/R | 6 | R132, R133, R232, R233, R350, R450 |
| A10266-4711 | 470. OHM .25W 5% CF T/R | 20 | R134, R234, R310, R311, R313, R315, R316, R317, R324, R368, R369, R410, R411, R413, R415, R416, R417, R424, R468, R469, |
| A10266-4721 | 4.7 KOHM .25W 5% CF T/R | 6 | R140, R161, R162, R240, R261, R262 |
| A10266-4731 | 47. KOHM .25W 5% CF25 T/R | 14 | R339, R344, R346, R353, R354, R355, R356, R439, R444, R446, R453, R454, R455, R456 |
| A10266-4741 | 470. KOHM .25W 5% CF T/R | 2 | R330, R430 |
| A10266-5111 | 510. OHM .25W 5 CF T/R | 2 | R120, R220 |
| A10266-5121 | 5.1 KOHM .25W 5 CF T/R | 4 | R326, R340, R426, R440 |
| A10266-5601 | 56.0 OHM .25W 5% CF T/R | 4 | R139, R141, R239, R241 |
| A10266-5621 | 5.6 KOHM .25W 5% CF T/R | 2 | R171, R271 |
| A10266-6831 | 68. KOHM .25W 5% CF T/R | 4 | R128, R129, R228, R229 |
| A10266-7521 | 7.5 KOHM .25W 5% CF T/R | 2 | R327, R427 |
| A10266-8211 | 820. OHM .25W 5% CF T/R | 4 | R136, R137, R236, R237 |
| A10266-8231 | 82. KOHM .25W 5% CF T/R | 2 | R328, R428 |
| A10266-9111 | 910. OHM .25W 5 CF T/R | 1 | R11 |

INACTIVE

For Reference Use Only

CROWN INTERNATIONAL INC.

1718 WEST MISHAWAKA ROAD ELKHART, INDIANA 46517 PHONE (219) 294-8000

THESE DRAWINGS AND SPECIFICATIONS ARE THE PROPERTY OF CROWN INTERNATIONAL, INC. AND SHALL NOT BE REPRODUCED, COPIED, OR USED AS THE BASIS FOR THE MANUFACTURE OR SALE OF APPARATUS OR DEVICES WITHOUT PERMISSION.

| | | | | | |
|-------|------|----------|----------|------------------|-----|
| DRAWN | TLM | 02-24-97 | DWG. NO. | SHEET 5 | REV |
| PROJ. | D360 | | 100296 | CONT. ON SHEET 6 | (B) |

PARTS LIST

| C. P. N. | DESCRIPTION | QTY | REFERENCE DESIGNATION |
|--------------|------------------------------|-----|--|
| A10434-104JD | .1UF 250V 5% MTL POLY FILM T | 2 | C164, C264 |
| C 2851-1 | RECTIFIER, 1N4004 SILICON T/ | 11 | D1, D129, D132, D2, D229, D232, D3, D4, D5, D6, D7 |
| C 3181-2 | DIODE, 1N4148 T/R | 52 | D100, D101, D102, D103, D104, D105, D106, D107, D108, D109, D111, D112, D115, D116, D118, D119, D121, D122, D123, D124, D125, D127, D130, D131, D133, D134, D200, D201, D202, D203, D204, D205, D206, D207, D208, D209, D211, D212, D215, D216, D218, D219, D221, D222, D223, D224, D225, D227, D230, D231, D233, D234 |
| C 3451-9 | IC SOCKET, 8PIN DIP 2-640463 | 1 | U3X |
| C 3533-4 | DIODE, 1N966B 16V ZENER T/R | 2 | D128, D228 |
| C 3549-0 | DIODE, 1N961B 10V ZENER T/R | 2 | D135, D235 |
| C 3578-9 | MPSA93 200V PNP T/R | 6 | Q104, Q106, Q130, Q204, Q206, Q230 |
| C 3625-8 | 2N4125 30V PNP T/R | 22 | Q100, Q101, Q114, Q116, Q118, Q120, Q122, Q123, Q124, Q125, Q129, Q200, Q201, Q214, Q216, Q218, Q220, Q222, Q223, Q224, Q225, Q229 |
| C 3786-8 | MPS4250A 40V PNP T/R | 8 | Q103, Q108, Q111, Q115, Q203, Q208, Q211, Q215 |
| C 3810-6 | MPSA42 300V NPN T/R | 6 | Q105, Q109, Q127, Q205, Q209, Q227 |
| C 4019-3 | 4.7UF 35V 10% TANT CAP | 2 | C155, C255 |
| C 4303-1 | 1000UF 35V AXIAL CAP | 2 | C1, C2 |
| C 4345-2 | LM339N VOLT COMPARATOR | 2 | U107, U207 |
| C 5061-4 | DIODE, 1N3070 10K/T&R | 8 | D110, D113, D114, D117, D210, D213, D214, D217 |
| C 5062-2 | 100KOHM LINEAR TRIMPOT | 4 | R186, R286, R300, R400 |
| C 5082-0 | DIODE, 1N4733A 5.1V ZENER T | 1 | D8 |
| C 5095-2 | MC7815CT +15V. REG | 1 | U1 |
| C 5096-0 | MC7915CT -15V. REG | 1 | U2 |
| C 5215-6 | 22. MOHM .25W 5 THICK FILM T | 4 | R121, R164, R221, R264 |
| C 5311-3 | 22UF 50V 20% NP VERT T/A | 2 | C107, C207 |
| C 5362-6 | 2.2UF 50V VERT ELECT T/A | 3 | C151, C251, C4 |
| C 5891-4 | MTS105 THERMAL SENSE T/R | 4 | Q107, Q110, Q207, Q210 |
| C 6048-0 | 500 OHM PIHER TRIM | 2 | R361, R461 |
| C 6411-0 | H11C2 OPTO SCR | 2 | U106, U206 |
| C 6564-6 | 10P DBLROW UNSHRD HDR 87230- | 2 | TP100, TP200 |
| C 6781-6 | 6P3T MONO/STEREO SWITCH | 1 | S2 |
| C 6802-0 | .47UF 50V AXIAL CER T/R 474 | 10 | C141, C145, C152, C154, C169, |
| | | | |
| | | | |
| | | | |
| | | | |

INACTIVE

For Reference Use Only

THESE DRAWINGS AND SPECIFICATIONS ARE THE PROPERTY OF CROWN INTERNATIONAL, INC. AND SHALL NOT BE REPRODUCED, COPIED, OR USED AS THE BASIS FOR THE MANUFACTURE OR SALE OF APPARATUS OR DEVICES WITHOUT PERMISSION.

CROWN INTERNATIONAL INC.

1718 WEST MISHAWAKA ROAD ELKHART, INDIANA 46517 PHONE (219) 294-8000

| | | | | | |
|-------|------|----------|----------|------------------|-----|
| DRAWN | TLM | 02-24-97 | DWG. NO. | SHEET 6 | REV |
| PROJ. | D360 | | 100296 | CONT. ON SHEET 7 | (B) |

PARTS LIST

| C. P. N. | DESCRIPTION | QTY | REFERENCE DESIGNATION |
|----------|-------------------------------|-----|-------------------------------|
| | | | C241, C245, C252, C254, C269, |
| C 6804-6 | .1UF 50V AXIAL CER T/R 104 | 20 | C134, C135, C136, C137, C138, |
| | | | C139, C144, C160, C161, C234, |
| | | | C235, C236, C237, C238, C239, |
| | | | C244, C267, C268, C3, C5 |
| C 6805-3 | .022UF 100V AXIALCER T/R 223 | 8 | C103, C104, C115, C116, C215, |
| | | | C216, C265, C266 |
| C 6806-1 | .01UF 100V AXIAL CER T/R 103 | 6 | C117, C124, C131, C217, C224, |
| | | | C231 |
| C 6807-9 | .001UF 100V 10% AXL CER T/R | 4 | C122, C123, C222, C223 |
| C 6808-7 | 470. PF 100V 5% NPO AXL CER T | 2 | C120, C220 |
| C 6810-3 | 180PF 100V AXIAL CER T/R 181 | 2 | C121, C221 |
| C 6811-1 | 100PF 200V 10% NPO AXL CER T | 10 | C126, C158, C159, C162, C163, |
| | | | C226, C258, C259, C262, C263, |
| C 6812-9 | 47PF 200V 10% NPO AXL CER | 16 | C106, C110, C111, C112, C113, |
| | | | C114, C128, C133, C206, C210, |
| | | | C211, C212, C213, C214, C228, |
| | | | C233 |
| C 6813-7 | 27PF 200V 10% NPO AXIAL CER | 8 | C100, C101, C102, C130, C200, |
| | | | C201, C202, C230 |
| C 6814-5 | 12PF 200V AXIAL CER T/R 120 | 6 | C118, C119, C129, C218, C219, |
| | | | C229 |
| C 6910-1 | UPA74HA/UPA76HA NPN XSISTOR | 2 | U104, U204 |
| C 6911-9 | UPA75HA/UPA77HA DUAL XSISTOR | 2 | U102, U202 |
| C 6950-7 | 82PF 200V 5% NPO AXIAL CER T | 2 | C127, C227 |
| C 7444-0 | LM393 DUAL COMPARATOR | 4 | U101, U108, U201, U208 |
| C 7458-0 | 2N4123 30V NPN T/R | 12 | Q113, Q117, Q119, Q121, Q126, |
| | | | Q128, Q213, Q217, Q219, Q221, |
| | | | Q226, Q228 |
| C 7526-4 | 3POS .1 CENTER MTA HEADER | 1 | J1 |
| C 7558-7 | MC33079P QUAD LOW NOISE OP A | 2 | U103, U203 |
| C 7597-5 | J202 N-CHANNEL JFET | 2 | Q131, Q231 |
| C 7636-1 | MC33078P DUAL LOW NOISE OP A | 2 | U109, U209 |
| C 7779-9 | 22. OHM .25W 5% FU/FP T/R | 8 | R309, R312, R314, R318, R409, |
| | | | R412, R414, R418 |
| C 7960-5 | DPDT 3POS PC SLIDE SWITCH | 1 | S1 |
| C 8182-5 | 1N753A 6.2V .5W ZENER DIODE | 2 | D120, D220 |
| C 8576-8 | 100UF 35V 10% ALUM ELECT T/A | 6 | C105, C149, C150, C205, C249, |
| | | | C250 |
| C 8750-9 | 10UF 16V NP ELECTROLYTIC | 2 | C173, C273 |
| C 8812-7 | 5.5" CABLE TIE | 4 | HW10, HW7, HW8, HW9 |
| C 8836-6 | 100 OHM .5W 5% FU/FP T/R | 4 | R152, R155, R252, R255 |
| C 8897-8 | .1UF 100V 20% Z5U RAD CER T/ | 9 | C109, C125, C132, C153, C209, |
| | | | C225, C232, C253, C6 |
| C 9079-2 | 200.OHM TOP ADJ CERMET TRIMM | 2 | R103, R203 |
| C 9238-4 | .0027UF 100V AXIAL CER T/R | 2 | C170, C270 |
| C 9464-6 | 10PF 100V 5% NPO RAD CER T/R | 2 | C108, C208 |
| C 9494-3 | HEATSINK, T0220 PLUG IN | 2 | U1X, U2X |
| C 9857-1 | LED, RED T1 .1 LEAD SPACE T/ | 4 | E100, E101, E200, E201 |

INACTIVE

For Reference Use Only

CROWN INTERNATIONAL INC.

1718 WEST MISHAWAKA ROAD ELKHART, INDIANA 46517 PHONE (219) 294-8000

THESE DRAWINGS AND SPECIFICATIONS ARE THE PROPERTY OF CROWN INTERNATIONAL, INC. AND SHALL NOT BE REPRODUCED, COPIED, OR USED AS THE BASIS FOR THE MANUFACTURE OR SALE OF APPARATUS OR DEVICES WITHOUT PERMISSION.

DRAWN

TLM

02-24-97

DWG. NO.

100296

SHEET 7

CONT. ON

SHEET 8

REV

B

PROJ.

D360

PARTS LIST

| REF DES | C.P.N. | DESCRIPTION | MAP LOC. |
|---------|----------|--------------------------------|----------|
| 1 | 100291-2 | PWB, CT10 MAIN, . . . | |
| C1 | C 4303-1 | 1000UF 35V AXIAL CAP | H 4 |
| C2 | C 4303-1 | 1000UF 35V AXIAL CAP | I 4 |
| C3 | C 6804-6 | .1UF 50V AXIAL CER T/R 104 | J 5 |
| C4 | C 5362-6 | 2.2UF 50V VERT ELECT T/A | J 5 |
| C5 | C 6804-6 | .1UF 50V AXIAL CER T/R 104 | I 2 |
| C6 | C 8897-8 | .1UF 100V 20% Z5U RAD CER T/R | E 1 |
| C100 | C 6813-7 | 27PF 200V 10% NPO AXIAL CER | J 3 |
| C101 | C 6813-7 | 27PF 200V 10% NPO AXIAL CER | J 2 |
| C102 | C 6813-7 | 27PF 200V 10% NPO AXIAL CER | J 2 |
| C103 | C 6805-3 | .022UF 100V AXIALCER T/R 223 | J 2 |
| C104 | C 6805-3 | .022UF 100V AXIALCER T/R 223 | K 3 |
| C105 | C 8576-8 | 100UF 35V 10% ALUM ELECT T/A | I 1 |
| C106 | C 6812-9 | 47PF 200V 10% NPO AXL CER | J 2 |
| C107 | C 5311-3 | 22UF 50V 20% NP VERT T/A | K 1 |
| C108 | C 9464-6 | 10PF 100V 5% NPO RAD CER T/R | K 2 |
| C109 | C 8897-8 | .1UF 100V 20% Z5U RAD CER T/R | J 2 |
| C110 | C 6812-9 | 47PF 200V 10% NPO AXL CER | K 2 |
| C111 | C 6812-9 | 47PF 200V 10% NPO AXL CER | L 3 |
| C112 | C 6812-9 | 47PF 200V 10% NPO AXL CER | L 2 |
| C113 | C 6812-9 | 47PF 200V 10% NPO AXL CER | L 3 |
| C114 | C 6812-9 | 47PF 200V 10% NPO AXL CER | L 3 |
| C115 | C 6805-3 | .022UF 100V AXIALCER T/R 223 | L 3 |
| C116 | C 6805-3 | .022UF 100V AXIALCER T/R 223 | L 2 |
| C117 | C 6806-1 | .01UF 100V AXIAL CER T/R 103 | M 3 |
| C118 | C 6814-5 | 12PF 200V AXIAL CER T/R 120 | M 2 |
| C119 | C 6814-5 | 12PF 200V AXIAL CER T/R 120 | M 3 |
| C120 | C 6808-7 | 470.PF 100V 5% NPO AXL CER T/R | P 5 |
| C121 | C 6810-3 | 180PF 100V AXIAL CER T/R 181 | M 4 |
| C122 | C 6807-9 | .001UF 100V 10% AXL CER T/R | P 5 |
| C123 | C 6807-9 | .001UF 100V 10% AXL CER T/R | O 5 |
| C124 | C 6806-1 | .01UF 100V AXIAL CER T/R 103 | K 4 |
| C125 | C 8897-8 | .1UF 100V 20% Z5U RAD CER T/R | K 4 |
| C126 | C 6811-1 | 100PF 200V 10% NPO AXL CER T/R | K 4 |
| C127 | C 6950-7 | 82PF 200V 5% NPO AXIAL CER T/R | K 4 |
| C128 | C 6812-9 | 47PF 200V 10% NPO AXL CER | K 3 |
| C129 | C 6814-5 | 12PF 200V AXIAL CER T/R 120 | K 3 |
| C130 | C 6813-7 | 27PF 200V 10% NPO AXIAL CER | K 3 |
| C131 | C 6806-1 | .01UF 100V AXIAL CER T/R 103 | K 3 |
| C132 | C 8897-8 | .1UF 100V 20% Z5U RAD CER T/R | K 3 |
| C133 | C 6812-9 | 47PF 200V 10% NPO AXL CER | K 3 |
| C134 | C 6804-6 | .1UF 50V AXIAL CER T/R 104 | P 3 |
| C135 | C 6804-6 | .1UF 50V AXIAL CER T/R 104 | O 3 |
| C136 | C 6804-6 | .1UF 50V AXIAL CER T/R 104 | O 2 |
| C137 | C 6804-6 | .1UF 50V AXIAL CER T/R 104 | P 2 |
| C138 | C 6804-6 | .1UF 50V AXIAL CER T/R 104 | O 4 |
| C139 | C 6804-6 | .1UF 50V AXIAL CER T/R 104 | P 4 |
| | | | |
| | | | |
| | | | |

INACTIVE

For Reference Use Only

CROWN INTERNATIONAL INC.

1718 WEST MISHAWAKA ROAD ELKHART, INDIANA 46517 PHONE (219) 294-8000

THESE DRAWINGS AND SPECIFICATIONS ARE THE PROPERTY OF CROWN INTERNATIONAL, INC. AND SHALL NOT BE REPRODUCED, COPIED, OR USED AS THE BASIS FOR THE MANUFACTURE OR SALE OF APPARATUS OR DEVICES WITHOUT PERMISSION.

| | | | | | |
|-------|------|----------|----------|----------|-----|
| DRAWN | TLM | 02-24-97 | DWG. NO. | SHEET 9 | REV |
| PROJ. | D360 | | 100296 | CONT. ON | (B) |
| | | | | SHEET 10 | |

PARTS LIST

| REF DES | C. P. N. | DESCRIPTION | MAP LOC. |
|---------|--------------|--------------------------------|----------|
| C140 | | DO NOT INSTALL | O 4 |
| C141 | C 6802-0 | .47UF 50V AXIAL CER T/R 474 | O 4 |
| C142 | C10588-9 | 15UF 35V 20% NP RAD ELECT T/R | N 4 |
| C143 | C10587-1 | 220UF 25V 20% NP RAD ELECT T/R | N 5 |
| C144 | C 6804-6 | .1UF 50V AXIAL CER T/R 104 | P 3 |
| C145 | C 6802-0 | .47UF 50V AXIAL CER T/R 474 | P 4 |
| C146 | | DO NOT INSTALL | P 4 |
| C147 | C10588-9 | 15UF 35V 20% NP RAD ELECT T/R | P 4 |
| C148 | C10587-1 | 220UF 25V 20% NP RAD ELECT T/R | P 5 |
| C149 | C 8576-8 | 100UF 35V 10% ALUM ELECT T/A | M 5 |
| C150 | C 8576-8 | 100UF 35V 10% ALUM ELECT T/A | M 4 |
| C151 | C 5362-6 | 2.2UF 50V VERT ELECT T/A | L 5 |
| C152 | C 6802-0 | .47UF 50V AXIAL CER T/R 474 | L 5 |
| C153 | C 8897-8 | .1UF 100V 20% Z5U RAD CER T/R | K 5 |
| C154 | C 6802-0 | .47UF 50V AXIAL CER T/R 474 | L 6 |
| C155 | C 4019-3 | 4.7UF 35V 10% TANT CAP | J 5 |
| C156 | | DO NOT INSTALL | M 4 |
| C157 | | DO NOT INSTALL | M 4 |
| C158 | C 6811-1 | 100PF 200V 10% NPO AXL CER T/R | N 4 |
| C159 | C 6811-1 | 100PF 200V 10% NPO AXL CER T/R | N 3 |
| C160 | C 6804-6 | .1UF 50V AXIAL CER T/R 104 | N 4 |
| C161 | C 6804-6 | .1UF 50V AXIAL CER T/R 104 | N 3 |
| C162 | C 6811-1 | 100PF 200V 10% NPO AXL CER T/R | I 4 |
| C163 | C 6811-1 | 100PF 200V 10% NPO AXL CER T/R | I 4 |
| C164 | A10434-104JD | .1UF 250V 5% MTL POLY FILM T/A | O 6 |
| C169 | C 6802-0 | .47UF 50V AXIAL CER T/R 474 | L 6 |
| C170 | C 9238-4 | .0027UF 100V AXIAL CER T/R | L 6 |
| C171 | C10208-4 | 100.UF 25V 20% RAD ELECT T/R | J 1 |
| C172 | C10208-4 | 100.UF 25V 20% RAD ELECT T/R | J 1 |
| C173 | C 8750-9 | 10UF 16V NP ELECTROLYTIC | J 5 |
| C200 | C 6813-7 | 27PF 200V 10% NPO AXIAL CER | G 3 |
| C201 | C 6813-7 | 27PF 200V 10% NPO AXIAL CER | G 2 |
| C202 | C 6813-7 | 27PF 200V 10% NPO AXIAL CER | G 2 |
| C205 | C 8576-8 | 100UF 35V 10% ALUM ELECT T/A | H 1 |
| C206 | C 6812-9 | 47PF 200V 10% NPO AXL CER | G 2 |
| C207 | C 5311-3 | 22UF 50V 20% NP VERT T/A | F 1 |
| C208 | C 9464-6 | 10PF 100V 5% NPO RAD CER T/R | F 2 |
| C209 | C 8897-8 | .1UF 100V 20% Z5U RAD CER T/R | G 2 |
| C210 | C 6812-9 | 47PF 200V 10% NPO AXL CER | F 2 |
| C211 | C 6812-9 | 47PF 200V 10% NPO AXL CER | E 3 |
| C212 | C 6812-9 | 47PF 200V 10% NPO AXL CER | E 2 |
| C213 | C 6812-9 | 47PF 200V 10% NPO AXL CER | E 3 |
| C214 | C 6812-9 | 47PF 200V 10% NPO AXL CER | E 3 |
| C215 | C 6805-3 | .022UF 100V AXIALCER T/R 223 | E 3 |
| C216 | C 6805-3 | .022UF 100V AXIALCER T/R 223 | E 2 |
| C217 | C 6806-1 | .01UF 100V AXIAL CER T/R 103 | D 3 |
| C218 | C 6814-5 | 12PF 200V AXIAL CER T/R 120 | D 2 |
| | | | |
| | | | |
| | | | |

INACTIVE

For Reference Use Only

CROWN INTERNATIONAL INC.

1718 WEST MISHAWAKA ROAD ELKHART, INDIANA 46517 PHONE (219) 294-8000

THESE DRAWINGS AND SPECIFICATIONS ARE THE PROPERTY OF CROWN INTERNATIONAL, INC. AND SHALL NOT BE REPRODUCED, COPIED, OR USED AS THE BASIS FOR THE MANUFACTURE OR SALE OF APPARATUS OR DEVICES WITHOUT PERMISSION.

DRAWN

TLM

02-24-97

DWG. NO.

100296

SHEET 10

CONT. ON SHEET 11

REV

B

PARTS LIST

| REF DES | C. P. N. | DESCRIPTION | MAP LOC. |
|---------|--------------|--------------------------------|----------|
| C219 | C 6814-5 | 12PF 200V AXIAL CER T/R 120 | D 3 |
| C220 | C 6808-7 | 470.PF 100V 5% NPO AXL CER T/R | A 5 |
| C221 | C 6810-3 | 180PF 100V AXIAL CER T/R 181 | D 4 |
| C222 | C 6807-9 | .001UF 100V 10% AXL CER T/R | A 5 |
| C223 | C 6807-9 | .001UF 100V 10% AXL CER T/R | B 5 |
| C224 | C 6806-1 | .01UF 100V AXIAL CER T/R 103 | F 4 |
| C225 | C 8897-8 | .1UF 100V 20% Z5U RAD CER T/R | F 4 |
| C226 | C 6811-1 | 100PF 200V 10% NPO AXL CER T/R | F 4 |
| C227 | C 6950-7 | 82PF 200V 5% NPO AXIAL CER T/R | F 4 |
| C228 | C 6812-9 | 47PF 200V 10% NPO AXL CER | F 3 |
| C229 | C 6814-5 | 12PF 200V AXIAL CER T/R 120 | F 3 |
| C230 | C 6813-7 | 27PF 200V 10% NPO AXIAL CER | F 3 |
| C231 | C 6806-1 | .01UF 100V AXIAL CER T/R 103 | F 3 |
| C232 | C 8897-8 | .1UF 100V 20% Z5U RAD CER T/R | F 3 |
| C233 | C 6812-9 | 47PF 200V 10% NPO AXL CER | F 3 |
| C234 | C 6804-6 | .1UF 50V AXIAL CER T/R 104 | B 3 |
| C235 | C 6804-6 | .1UF 50V AXIAL CER T/R 104 | A 3 |
| C236 | C 6804-6 | .1UF 50V AXIAL CER T/R 104 | A 2 |
| C237 | C 6804-6 | .1UF 50V AXIAL CER T/R 104 | B 2 |
| C238 | C 6804-6 | .1UF 50V AXIAL CER T/R 104 | A 4 |
| C239 | C 6804-6 | .1UF 50V AXIAL CER T/R 104 | B 4 |
| C240 | | DO NOT INSTALL | A 4 |
| C241 | C 6802-0 | .47UF 50V AXIAL CER T/R 474 | A 4 |
| C242 | C10588-9 | 15UF 35V 20% NP RAD ELECT T/R | A 4 |
| C243 | C10587-1 | 220UF 25V 20% NP RAD ELECT T/R | A 4 |
| C244 | C 6804-6 | .1UF 50V AXIAL CER T/R 104 | B 3 |
| C245 | C 6802-0 | .47UF 50V AXIAL CER T/R 474 | B 4 |
| C246 | | DO NOT INSTALL | B 4 |
| C247 | C10588-9 | 15UF 35V 20% NP RAD ELECT T/R | C 4 |
| C248 | C10587-1 | 220UF 25V 20% NP RAD ELECT T/R | C 5 |
| C249 | C 8576-8 | 100UF 35V 10% ALUM ELECT T/A | D 5 |
| C250 | C 8576-8 | 100UF 35V 10% ALUM ELECT T/A | D 4 |
| C251 | C 5362-6 | 2.2UF 50V VERT ELECT T/A | E 5 |
| C252 | C 6802-0 | .47UF 50V AXIAL CER T/R 474 | E 5 |
| C253 | C 8897-8 | .1UF 100V 20% Z5U RAD CER T/R | F 5 |
| C254 | C 6802-0 | .47UF 50V AXIAL CER T/R 474 | E 6 |
| C255 | C 4019-3 | 4.7UF 35V 10% TANT CAP | G 5 |
| C256 | | DO NOT INSTALL | D 4 |
| C257 | | DO NOT INSTALL | D 4 |
| C258 | C 6811-1 | 100PF 200V 10% NPO AXL CER T/R | C 4 |
| C259 | C 6811-1 | 100PF 200V 10% NPO AXL CER T/R | C 3 |
| C262 | C 6811-1 | 100PF 200V 10% NPO AXL CER T/R | H 4 |
| C263 | C 6811-1 | 100PF 200V 10% NPO AXL CER T/R | H 4 |
| C264 | A10434-104JD | .1UF 250V 5% MTL POLY FILM T/A | B 6 |
| C265 | C 6805-3 | .022UF 100V AXIALCER T/R 223 | F 3 |
| C266 | C 6805-3 | .022UF 100V AXIALCER T/R 223 | G 2 |
| C267 | C 6804-6 | .1UF 50V AXIAL CER T/R 104 | C 3 |
| | | | |
| | | | |
| | | | |

INACTIVE

For Reference Use Only

| | | | |
|---------------------------------|------|------------------------|----------|
| CROWN INTERNATIONAL INC. | | | |
| 1718 WEST MISHAWAKA ROAD | | ELKHART, INDIANA 46517 | |
| PHONE (219) 294-8000 | | | |
| DRAWN | TLM | 02-24-97 | DWG. NO. |
| PROJ. | D360 | 100296 | |
| | | SHEET 11 | REV |
| | | CONT. ON | (B) |
| | | SHEET 12 | |

THESE DRAWINGS AND SPECIFICATIONS ARE THE PROPERTY OF CROWN INTERNATIONAL, INC. AND SHALL NOT BE REPRODUCED, COPIED, OR USED AS THE BASIS FOR THE MANUFACTURE OR SALE OF APPARATUS OR DEVICES WITHOUT PERMISSION.

PARTS LIST

| REF DES | C. P. N. | DESCRIPTION | MAP LOC. |
|---------|----------|-------------------------------|----------|
| C268 | C 6804-6 | .1UF 50V AXIAL CER T/R 104 | C 3 |
| C269 | C 6802-0 | .47UF 50V AXIAL CER T/R 474 | E 6 |
| C270 | C 9238-4 | .0027UF 100V AXIAL CER | E 6 |
| C271 | C10208-4 | 100.UF 25V 20% RAD ELECT T/R | G 1 |
| C272 | C10208-4 | 100.UF 25V 20% RAD ELECT T/R | G 1 |
| C273 | C 8750-9 | 10UF 16V NP ELECTROLYTIC | G 6 |
| D1 | C 2851-1 | RECTIFIER, 1N4004 SILICON T/R | G 4 |
| D2 | C 2851-1 | RECTIFIER, 1N4004 SILICON T/R | G 5 |
| D3 | C 2851-1 | RECTIFIER, 1N4004 SILICON T/R | G 4 |
| D4 | C 2851-1 | RECTIFIER, 1N4004 SILICON T/R | G 5 |
| D5 | C 2851-1 | RECTIFIER, 1N4004 SILICON T/R | J 4 |
| D6 | C 2851-1 | RECTIFIER, 1N4004 SILICON T/R | J 4 |
| D7 | C 2851-1 | RECTIFIER, 1N4004 SILICON T/R | J 5 |
| D8 | C 5082-0 | DIODE, 1N4733A 5.1V ZENER T/R | I 2 |
| D100 | C 3181-2 | DIODE, 1N4148 T/R | K 2 |
| D101 | C 3181-2 | DIODE, 1N4148 T/R | K 2 |
| D102 | C 3181-2 | DIODE, 1N4148 T/R | L 3 |
| D103 | C 3181-2 | DIODE, 1N4148 T/R | L 2 |
| D104 | C 3181-2 | DIODE, 1N4148 T/R | M 3 |
| D105 | C 3181-2 | DIODE, 1N4148 T/R | M 3 |
| D106 | C 3181-2 | DIODE, 1N4148 T/R | M 3 |
| D107 | C 3181-2 | DIODE, 1N4148 T/R | M 3 |
| D108 | C 3181-2 | DIODE, 1N4148 T/R | M 2 |
| D109 | C 3181-2 | DIODE, 1N4148 T/R | M 2 |
| D110 | C 5061-4 | DIODE, 1N3070 10K/T&R | M 2 |
| D111 | C 3181-2 | DIODE, 1N4148 T/R | O 5 |
| D112 | C 3181-2 | DIODE, 1N4148 T/R | P 5 |
| D113 | C 5061-4 | DIODE, 1N3070 10K/T&R | M 3 |
| D114 | C 5061-4 | DIODE, 1N3070 10K/T&R | K 4 |
| D115 | C 3181-2 | DIODE, 1N4148 T/R | K 4 |
| D116 | C 3181-2 | DIODE, 1N4148 T/R | K 3 |
| D117 | C 5061-4 | DIODE, 1N3070 10K/T&R | K 3 |
| D118 | C 3181-2 | DIODE, 1N4148 T/R | J 3 |
| D119 | C 3181-2 | DIODE, 1N4148 T/R | J 3 |
| D120 | C 8182-5 | 1N753A 6.2V .5W ZENER DIODE | O 3 |
| D121 | C 3181-2 | DIODE, 1N4148 T/R | L 5 |
| D122 | C 3181-2 | DIODE, 1N4148 T/R | L 5 |
| D123 | C 3181-2 | DIODE, 1N4148 T/R | L 6 |
| D124 | C 3181-2 | DIODE, 1N4148 T/R | L 6 |
| D125 | C 3181-2 | DIODE, 1N4148 T/R | L 6 |
| D127 | C 3181-2 | DIODE, 1N4148 T/R | L 6 |
| D128 | C 3533-4 | DIODE, 1N966B 16V ZENER T/R | L 5 |
| D129 | C 2851-1 | RECTIFIER, 1N4004 SILICON T/R | L 5 |
| D130 | C 3181-2 | DIODE, 1N4148 T/R | K 4 |
| D131 | C 3181-2 | DIODE, 1N4148 T/R | K 3 |
| D132 | C 2851-1 | RECTIFIER, 1N4004 SILICON T/R | L 5 |
| D133 | C 3181-2 | DIODE, 1N4148 T/R | J 1 |
| | | | |
| | | | |
| | | | |

INACTIVE

For Reference Use Only

THESE DRAWINGS AND SPECIFICATIONS ARE THE PROPERTY OF CROWN INTERNATIONAL, INC. AND SHALL NOT BE REPRODUCED, COPIED, OR USED AS THE BASIS FOR THE MANUFACTURE OR SALE OF APPARATUS OR DEVICES WITHOUT PERMISSION.

CROWN INTERNATIONAL INC.

1718 WEST MISHAWAKA ROAD ELKHART, INDIANA 46517 PHONE (219) 294-8000

| | | | | | |
|-------|------|----------|----------|-------------------|-----|
| DRAWN | TLM | 02-24-97 | DWG. NO. | SHEET 12 | REV |
| PROJ. | D360 | | 100296 | CONT. ON SHEET 13 | (B) |

PARTS LIST

| REF DES | C. P. N. | DESCRIPTION | MAP LOC. |
|---------|----------|-------------------------------|----------|
| D134 | C 3181-2 | DIODE, 1N4148 T/R | J 2 |
| D135 | C 3549-0 | DIODE, 1N961B 10V ZENER T/R | J 5 |
| D200 | C 3181-2 | DIODE, 1N4148 T/R | F 2 |
| D201 | C 3181-2 | DIODE, 1N4148 T/R | F 2 |
| D202 | C 3181-2 | DIODE, 1N4148 T/R | E 3 |
| D203 | C 3181-2 | DIODE, 1N4148 T/R | E 2 |
| D204 | C 3181-2 | DIODE, 1N4148 T/R | D 3 |
| D205 | C 3181-2 | DIODE, 1N4148 T/R | D 3 |
| D206 | C 3181-2 | DIODE, 1N4148 T/R | D 3 |
| D207 | C 3181-2 | DIODE, 1N4148 T/R | D 3 |
| D208 | C 3181-2 | DIODE, 1N4148 T/R | D 2 |
| D209 | C 3181-2 | DIODE, 1N4148 T/R | D 2 |
| D210 | C 5061-4 | DIODE, 1N3070 10K/T&R | D 2 |
| D211 | C 3181-2 | DIODE, 1N4148 T/R | B 5 |
| D212 | C 3181-2 | DIODE, 1N4148 T/R | A 5 |
| D213 | C 5061-4 | DIODE, 1N3070 10K/T&R | D 3 |
| D214 | C 5061-4 | DIODE, 1N3070 10K/T&R | F 4 |
| D215 | C 3181-2 | DIODE, 1N4148 T/R | F 4 |
| D216 | C 3181-2 | DIODE, 1N4148 T/R | F 3 |
| D217 | C 5061-4 | DIODE, 1N3070 10K/T&R | F 3 |
| D218 | C 3181-2 | DIODE, 1N4148 T/R | G 3 |
| D219 | C 3181-2 | DIODE, 1N4148 T/R | G 3 |
| D220 | C 8182-5 | 1N753A 6.2V .5W ZENER DIODE | A 3 |
| D221 | C 3181-2 | DIODE, 1N4148 T/R | E 5 |
| D222 | C 3181-2 | DIODE, 1N4148 T/R | E 5 |
| D223 | C 3181-2 | DIODE, 1N4148 T/R | E 6 |
| D224 | C 3181-2 | DIODE, 1N4148 T/R | E 6 |
| D225 | C 3181-2 | DIODE, 1N4148 T/R | E 6 |
| D227 | C 3181-2 | DIODE, 1N4148 T/R | E 6 |
| D228 | C 3533-4 | DIODE, 1N966B 16V ZENER T/R | E 5 |
| D229 | C 2851-1 | RECTIFIER, 1N4004 SILICON T/R | E 5 |
| D230 | C 3181-2 | DIODE, 1N4148 T/R | F 4 |
| D231 | C 3181-2 | DIODE, 1N4148 T/R | F 3 |
| D232 | C 2851-1 | RECTIFIER, 1N4004 SILICON T/R | E 5 |
| D233 | C 3181-2 | DIODE, 1N4148 T/R | G 1 |
| D234 | C 3181-2 | DIODE, 1N4148 T/R | G 2 |
| D235 | C 3549-0 | DIODE, 1N961B 10V ZENER T/R | G 5 |
| E100 | C 9857-1 | LED, RED T1 .1 LEAD SPACE T/R | M 5 |
| E101 | C 9857-1 | LED, RED T1 .1 LEAD SPACE T/R | M 5 |
| E200 | C 9857-1 | LED, RED T1 .1 LEAD SPACE T/R | D 5 |
| E201 | C 9857-1 | LED, RED T1 .1 LEAD SPACE T/R | D 5 |
| HW7 | C 8812-7 | 5.5" CABLE TIE | A 6 |
| HW8 | C 8812-7 | 5.5" CABLE TIE | C 6 |
| HW9 | C 8812-7 | 5.5" CABLE TIE | N 6 |
| HW10 | C 8812-7 | 5.5" CABLE TIE | P 6 |
| J1 | C 7526-4 | 3POS .1 CENTER MTA HEADER | I 6 |
| J2A | C10570-7 | 20 PIN HDR PICO FLEX TIN | I 3 |
| | | | |
| | | | |
| | | | |

INACTIVE

For Reference Use Only

CROWN INTERNATIONAL INC.

1718 WEST MISHAWAKA ROAD ELKHART, INDIANA 46517 PHONE (219) 294-8000

THESE DRAWINGS AND SPECIFICATIONS ARE THE PROPERTY OF CROWN INTERNATIONAL, INC. AND SHALL NOT BE REPRODUCED, COPIED, OR USED AS THE BASIS FOR THE MANUFACTURE OR SALE OF APPARATUS OR DEVICES WITHOUT PERMISSION.

DRAWN

TLM

02-24-97

DWG. NO.

PROJ.

D360

100296

 SHEET 13
 CONT. ON
 SHEET 14

REV

(B)

PARTS LIST

| REF DES | C. P. N. | DESCRIPTION | MAP LOC. |
|---------|----------|------------------------------|----------|
| J2B | C10571-5 | 18 PIN HDR PICOFLEX TIN | I 2 |
| J700 | D 8681-5 | CABLE, 10 INCH 12 PIN MTA | P 6 |
| J701 | D 8680-7 | CABLE, 6 INCH 12 PIN MTA | N 6 |
| J800 | D 8680-7 | CABLE, 6 INCH 12 PIN MTA | B 6 |
| J801 | D 8681-5 | CABLE, 10 INCH 12 PIN MTA | A 6 |
| J901X | 100375-1 | HDR, 14PIN, VERT, DOUBLE ROW | H 4 |
| N100 | D 6082-8 | RESISTOR NETWORK-C | L 3 |
| N200 | D 6082-8 | RESISTOR NETWORK-C | E 3 |
| Q100 | C 3625-8 | 2N4125 30V PNP T/R | K 2 |
| Q101 | C 3625-8 | 2N4125 30V PNP T/R | K 2 |
| Q102 | D 2961-7 | SPS8010 60V NPN T/R | M 4 |
| Q103 | C 3786-8 | MPS4250A 40V PNP T/R | M 2 |
| Q104 | C 3578-9 | MPSA93 200V PNP T/R | M 3 |
| Q105 | C 3810-6 | MPSA42 300V NPN T/R | M 2 |
| Q106 | C 3578-9 | MPSA93 200V PNP T/R | M 2 |
| Q107 | C 5891-4 | MTS105 THERMAL SENSE T/R | O 5 |
| Q108 | C 3786-8 | MPS4250A 40V PNP T/R | O 5 |
| Q109 | C 3810-6 | MPSA42 300V NPN T/R | M 4 |
| Q110 | C 5891-4 | MTS105 THERMAL SENSE T/R | O 5 |
| Q111 | C 3786-8 | MPS4250A 40V PNP T/R | O 5 |
| Q112 | D 2962-5 | MPSA18 45V NPN T/R | K 4 |
| Q113 | C 7458-0 | 2N4123 30V NPN T/R | J 4 |
| Q114 | C 3625-8 | 2N4125 30V PNP T/R | J 3 |
| Q115 | C 3786-8 | MPS4250A 40V PNP T/R | K 3 |
| Q116 | C 3625-8 | 2N4125 30V PNP T/R | O 1 |
| Q117 | C 7458-0 | 2N4123 30V NPN T/R | O 1 |
| Q118 | C 3625-8 | 2N4125 30V PNP T/R | M 5 |
| Q119 | C 7458-0 | 2N4123 30V NPN T/R | M 5 |
| Q120 | C 3625-8 | 2N4125 30V PNP T/R | M 4 |
| Q121 | C 7458-0 | 2N4123 30V NPN T/R | M 4 |
| Q122 | C 3625-8 | 2N4125 30V PNP T/R | M 4 |
| Q123 | C 3625-8 | 2N4125 30V PNP T/R | M 5 |
| Q124 | C 3625-8 | 2N4125 30V PNP T/R | M 4 |
| Q125 | C 3625-8 | 2N4125 30V PNP T/R | M 4 |
| Q126 | C 7458-0 | 2N4123 30V NPN T/R | L 4 |
| Q127 | C 3810-6 | MPSA42 300V NPN T/R | K 4 |
| Q128 | C 7458-0 | 2N4123 30V NPN T/R | M 4 |
| Q129 | C 3625-8 | 2N4125 30V PNP T/R | M 4 |
| Q130 | C 3578-9 | MPSA93 200V PNP T/R | L 4 |
| Q131 | C 7597-5 | J202 N-CHANNEL JFET | J 6 |
| Q200 | C 3625-8 | 2N4125 30V PNP T/R | F 2 |
| Q201 | C 3625-8 | 2N4125 30V PNP T/R | F 2 |
| Q202 | D 2961-7 | SPS8010 60V NPN T/R | D 4 |
| Q203 | C 3786-8 | MPS4250A 40V PNP T/R | D 2 |
| Q204 | C 3578-9 | MPSA93 200V PNP T/R | D 3 |
| Q205 | C 3810-6 | MPSA42 300V NPN T/R | C 2 |
| Q206 | C 3578-9 | MPSA93 200V PNP T/R | C 2 |
| | | | |
| | | | |
| | | | |

INACTIVE

For Reference Use Only

CROWN INTERNATIONAL INC.

1718 WEST MISHAWAKA ROAD ELKHART, INDIANA 46517 PHONE (219) 294-8000

DRAWN

TLM

02-24-97

DWG. NO.

100296

SHEET 14
CONT. ON
SHEET 15

REV

B

THESE DRAWINGS AND SPECIFICATIONS ARE THE PROPERTY OF CROWN INTERNATIONAL, INC. AND SHALL NOT BE REPRODUCED, COPIED, OR USED AS THE BASIS FOR THE MANUFACTURE OR SALE OF APPARATUS OR DEVICES WITHOUT PERMISSION.

PROJ.

D360

PARTS LIST

| REF DES | C. P. N. | DESCRIPTION | MAP LOC. |
|---------|--------------|--------------------------------|----------|
| Q207 | C 5891-4 | MTS105 THERMAL SENSE T/R | A 5 |
| Q208 | C 3786-8 | MPS4250A 40V PNP T/R | A 5 |
| Q209 | C 3810-6 | MPSA42 300V NPN T/R | D 4 |
| Q210 | C 5891-4 | MTS105 THERMAL SENSE T/R | A 5 |
| Q211 | C 3786-8 | MPS4250A 40V PNP T/R | B 5 |
| Q212 | D 2962-5 | MPSA18 45V NPN T/R | F 4 |
| Q213 | C 7458-0 | 2N4123 30V NPN T/R | G 4 |
| Q214 | C 3625-8 | 2N4125 30V PNP T/R | G 3 |
| Q215 | C 3786-8 | MPS4250A 40V PNP T/R | F 3 |
| Q216 | C 3625-8 | 2N4125 30V PNP T/R | B 1 |
| Q217 | C 7458-0 | 2N4123 30V NPN T/R | B 1 |
| Q218 | C 3625-8 | 2N4125 30V PNP T/R | C 5 |
| Q219 | C 7458-0 | 2N4123 30V NPN T/R | C 5 |
| Q220 | C 3625-8 | 2N4125 30V PNP T/R | C 4 |
| Q221 | C 7458-0 | 2N4123 30V NPN T/R | C 4 |
| Q222 | C 3625-8 | 2N4125 30V PNP T/R | C 4 |
| Q223 | C 3625-8 | 2N4125 30V PNP T/R | D 5 |
| Q224 | C 3625-8 | 2N4125 30V PNP T/R | D 4 |
| Q225 | C 3625-8 | 2N4125 30V PNP T/R | D 4 |
| Q226 | C 7458-0 | 2N4123 30V NPN T/R | E 4 |
| Q227 | C 3810-6 | MPSA42 300V NPN T/R | F 4 |
| Q228 | C 7458-0 | 2N4123 30V NPN T/R | D 4 |
| Q229 | C 3625-8 | 2N4125 30V PNP T/R | D 4 |
| Q230 | C 3578-9 | MPSA93 200V PNP T/R | E 4 |
| Q231 | C 7597-5 | J202 N-CHANNEL JFET | G 6 |
| R1 | A10265-46421 | 46.4 KOHM .25W 1% MF T/R | E 2 |
| R2 | A10265-53621 | 53.6 KOHM .25W 1% MF T/R | F 2 |
| R4 | A10265-10031 | 100. KOHM .25W 1 MF T/R | G 5 |
| R5 | A10265-24921 | 24.9 KOHM .25W 1% MF T/R | G 5 |
| R6 | A10265-24921 | 24.9 KOHM .25W 1% MF T/R | F 5 |
| R7 | A10265-10031 | 100. KOHM .25W 1 MF T/R | F 5 |
| R8 | A10266-1051 | 1.0 MOHM .25W 5 CF T/R | H 2 |
| R9 | A10266-1051 | 1.0 MOHM .25W 5 CF T/R | H 2 |
| R10 | A10266-1051 | 1.0 MOHM .25W 5 CF T/R | H 2 |
| R11 | A10266-9111 | 910. OHM .25W 5 CF T/R | I 2 |
| R12 | A10124-24 | WIRE, #24 SOLID BUS | J 6 |
| R13 | A10124-24 | WIRE, #24 SOLID BUS | H 6 |
| R100 | A10265-10021 | 10. KOHM .25W 1 MF T/R | J 3 |
| R101 | A10265-10021 | 10. KOHM .25W 1 MF T/R | J 3 |
| R102 | A10265-10021 | 10. KOHM .25W 1 MF T/R | J 3 |
| R103 | C 9079-2 | 200.OHM TOP ADJ CERMET TRIMMER | I 2 |
| R104 | A10265-10021 | 10. KOHM .25W 1 MF T/R | J 2 |
| R105 | A10265-49911 | 4.99KOHM .25W 1 MF T/R | I 3 |
| R106 | A10265-49911 | 4.99KOHM .25W 1 MF T/R | I 3 |
| R107 | 101051-1 | 5K, , 10%, LINEAR W/21 DETENT | J 2 |
| R108 | A10265-11821 | 11.8 KOHM .25W 1% MF T/R | I 1 |
| | | | |
| | | | |
| | | | |
| | | | |

INACTIVE

For Reference Use Only

CROWN INTERNATIONAL INC.

1718 WEST MISHAWAKA ROAD ELKHART, INDIANA 46517 PHONE (219) 294-8000

DRAWN

TLM

02-24-97

DWG. NO.

SHEET 15

REV

CONT. ON

SHEET 16

©

PROJ.

D360

100296

THESE DRAWINGS AND SPECIFICATIONS ARE THE PROPERTY OF CROWN INTERNATIONAL, INC. AND SHALL NOT BE REPRODUCED, COPIED, OR USED AS THE BASIS FOR THE MANUFACTURE OR SALE OF APPARATUS OR DEVICES WITHOUT PERMISSION.

PARTS LIST

| REF DES | C. P. N. | DESCRIPTION | MAP LOC. |
|---------|--------------|--------------------------------|----------|
| R109 | A10265-24921 | 24.9 KOHM .25W 1% MF T/R | I 1 |
| R110 | A10265-69811 | 6.98 KOHM .25W 1% MF T/R | I 1 |
| R111 | A10265-24921 | 24.9 KOHM .25W 1% MF T/R | K 2 |
| R112 | A10266-2201 | 22.0 OHM .25W 5 CF T/R | J 2 |
| R113 | A10265-49911 | 4.99KOHM .25W 1 MF T/R | K 2 |
| R114 | A10265-10031 | 100. KOHM .25W 1 MF T/R | K 2 |
| R115 | A10265-15031 | 150 KOHM .25 1% MF T/R | J 4 |
| R116 | A10265-10721 | 10.7KOHM .25W 1% MF T/R | I 4 |
| R117 | A10265-20031 | 200.KOHM .25W 1 MF T/R | I 3 |
| R118 | A10265-10521 | 10.5KOHM .25W 1% MF T/R | I 3 |
| R119 | A10265-10031 | 100. KOHM .25W 1 MF T/R | K 2 |
| R120 | A10266-5111 | 510. OHM .25W 5 CF T/R | K 2 |
| R121 | C 5215-6 | 22. MOHM .25W 5 THICK FILM T/R | K 2 |
| R122 | A10266-1321 | 1.3 KOHM .25W 5 CF T/R | K 2 |
| R123 | A10265-49911 | 4.99KOHM .25W 1 MF T/R | K 2 |
| R124 | A10266-1231 | 12.KOHM .25W 5% CF T/R | L 3 |
| R125 | A10266-1231 | 12.KOHM .25W 5% CF T/R | L 2 |
| R126 | A10266-2721 | 2.7 KOHM .25W 5 CF T/R | L 3 |
| R127 | A10266-2721 | 2.7 KOHM .25W 5 CF T/R | L 2 |
| R128 | A10266-6831 | 68. KOHM .25W 5% CF T/R | L 3 |
| R129 | A10266-6831 | 68. KOHM .25W 5% CF T/R | L 3 |
| R130 | A10265-10031 | 100. KOHM .25W 1 MF T/R | L 3 |
| R131 | A10265-10031 | 100. KOHM .25W 1 MF T/R | L 2 |
| R132 | A10266-4701 | 47.0 OHM .25W 5 CF T/R | L 4 |
| R133 | A10266-4701 | 47.0 OHM .25W 5 CF T/R | L 2 |
| R134 | A10266-4711 | 470. OHM .25W 5% CF T/R | M 3 |
| R135 | A10266-2201 | 22.0 OHM .25W 5 CF T/R | M 3 |
| R136 | A10266-8211 | 820. OHM .25W 5% CF T/R | M 3 |
| R137 | A10266-8211 | 820. OHM .25W 5% CF T/R | M 2 |
| R138 | A10266-2201 | 22.0 OHM .25W 5 CF T/R | M 2 |
| R139 | A10266-5601 | 56.0 OHM .25W 5% CF T/R | M 2 |
| R140 | A10266-4721 | 4.7 KOHM .25W 5% CF T/R | P 5 |
| R141 | A10266-5601 | 56.0 OHM .25W 5% CF T/R | M 4 |
| R142 | A10265-66501 | 665. OHM .25W 1 MF T/R | O 5 |
| R143 | A10265-27401 | 274. OHM .25W 1% MF T/R | P 5 |
| R144 | A10265-27401 | 274. OHM .25W 1% MF T/R | O 5 |
| R145 | A10265-66501 | 665. OHM .25W 1 MF T/R | O 5 |
| R146 | A10265-66501 | 665. OHM .25W 1 MF T/R | O 5 |
| R147 | A10265-66501 | 665. OHM .25W 1 MF T/R | O 5 |
| R148 | A10266-1041 | 100. KOHM .25W 5% CF25 T/R | P 5 |
| R149 | A10265-35711 | 3.57KOHM .25W 1 MF T/R | P 5 |
| R150 | A10265-35711 | 3.57KOHM .25W 1 MF T/R | O 5 |
| R151 | A10266-1041 | 100. KOHM .25W 5% CF25 T/R | O 5 |
| R152 | C 8836-6 | 100 OHM .5W 5% FU/FP T/R | K 4 |
| R153 | A10266-1031 | 10. KOHM .25W 5% CF T/R | K 4 |
| R154 | A10266-2721 | 2.7 KOHM .25W 5 CF T/R | K 3 |
| R155 | C 8836-6 | 100 OHM .5W 5% FU/FP T/R | K 3 |
| | | | |
| | | | |
| | | | |

INACTIVE

For Reference Use Only

THESE DRAWINGS AND SPECIFICATIONS ARE THE PROPERTY OF CROWN INTERNATIONAL, INC. AND SHALL NOT BE REPRODUCED, COPIED, OR USED AS THE BASIS FOR THE MANUFACTURE OR SALE OF APPARATUS OR DEVICES WITHOUT PERMISSION.

CROWN INTERNATIONAL INC.

1718 WEST MISHAWAKA ROAD ELKHART, INDIANA 46517 PHONE (219) 294-8000

| | | | | | |
|-------|------|----------|----------|-------------------|-----|
| DRAWN | TLM | 02-24-97 | DWG. NO. | SHEET 16 | REV |
| PROJ. | D360 | | 100296 | CONT. ON SHEET 17 | (B) |

PARTS LIST

| REF DES | C. P. N. | DESCRIPTION | MAP LOC. |
|---------|--------------|--------------------------------|----------|
| R156 | A10266-1031 | 10. KOHM .25W 5% CF T/R | K 3 |
| R157 | A10266-2721 | 2.7 KOHM .25W 5 CF T/R | K 3 |
| R158 | A10266-3021 | 3.0 KOHM .25W 5 CF T/R | J 4 |
| R159 | A10265-10011 | 1.0 KOHM .25W 1 MF T/R | K 3 |
| R160 | A10265-10021 | 10. KOHM .25W 1 MF T/R | J 3 |
| R161 | A10266-4721 | 4.7 KOHM .25W 5% CF T/R | J 3 |
| R162 | A10266-4721 | 4.7 KOHM .25W 5% CF T/R | J 3 |
| R163 | A10265-10021 | 10. KOHM .25W 1 MF T/R | J 3 |
| R164 | C 5215-6 | 22. MOHM .25W 5 THICK FILM T/R | K 3 |
| R165 | A10265-27431 | 274.KOHM .25W 1% MF T/R | J 4 |
| R166 | A10265-95311 | 9.53KOHM .25W 1% MF T/R | I 4 |
| R167 | A10266-1321 | 1.3 KOHM .25W 5 CF T/R | K 3 |
| R168 | A10124-24 | WIRE, #24 SOLID BUS | K 3 |
| R169 | A10265-27431 | 274.KOHM .25W 1% MF T/R | J 2 |
| R170 | A10265-95311 | 9.53KOHM .25W 1% MF T/R | J 2 |
| R171 | A10266-5621 | 5.6 KOHM .25W 5% CF T/R | P 3 |
| R172 | A10266-1541 | 150. KOHM .25W 5% CF T/R | O 3 |
| R173 | A10265-17821 | 17.8KOHM .25W 1% MF T/R | O 3 |
| R174 | A10265-24921 | 24.9 KOHM .25W 1% MF T/R | O 3 |
| R175 | A10265-49911 | 4.99KOHM .25W 1 MF T/R | O 3 |
| R176 | A10265-68111 | 6.81KOHM .25W 1% MF T/R | O 3 |
| R177 | A10265-33221 | 33.2KOHM .25W 1% MF T/R | O 4 |
| R178 | A10265-10021 | 10. KOHM .25W 1 MF T/R | O 4 |
| R179 | A10265-20011 | 2.0 KOHM .25W 1% MF T/R | O 3 |
| R180 | A10265-20011 | 2.0 KOHM .25W 1% MF T/R | O 3 |
| R181 | A10265-10001 | 100. OHM .25W 1 MF T/R | O 2 |
| R182 | A10265-51121 | 51.1 KOHM .25W 1% MF T/R | O 2 |
| R183 | A10265-68111 | 6.81KOHM .25W 1% MF T/R | O 2 |
| R184 | A10265-10001 | 100. OHM .25W 1 MF T/R | O 2 |
| R185 | A10266-2741 | 270. KOHM .25W 5% CF25 T/R | O 2 |
| R186 | C 5062-2 | 100KOHM LINEAR TRIMPOT | O 2 |
| R187 | A10265-14321 | 14.3 KOHM .25W 1% MF T/R | O 4 |
| R188 | A10265-32421 | 32.4KOHM .25 1% MF T/R | O 4 |
| R189 | A10265-19121 | 19.1KOHM .25W 1% MF T/R | O 4 |
| R190 | A10265-33221 | 33.2KOHM .25W 1% MF T/R | P 3 |
| R191 | A10265-10021 | 10. KOHM .25W 1 MF T/R | P 3 |
| R192 | A10265-20011 | 2.0 KOHM .25W 1% MF T/R | P 3 |
| R193 | A10265-20011 | 2.0 KOHM .25W 1% MF T/R | P 4 |
| R194 | A10265-68111 | 6.81KOHM .25W 1% MF T/R | P 3 |
| R195 | A10265-10001 | 100. OHM .25W 1 MF T/R | P 2 |
| R196 | A10265-51121 | 51.1 KOHM .25W 1% MF T/R | P 2 |
| R197 | A10265-68111 | 6.81KOHM .25W 1% MF T/R | P 2 |
| R198 | A10265-10001 | 100. OHM .25W 1 MF T/R | P 2 |
| R199 | A10266-2741 | 270. KOHM .25W 5% CF25 T/R | P 2 |
| R200 | A10265-10021 | 10. KOHM .25W 1 MF T/R | G 3 |
| R201 | A10265-10021 | 10. KOHM .25W 1 MF T/R | G 3 |
| R202 | A10265-10021 | 10. KOHM .25W 1 MF T/R | G 3 |
| | | | |
| | | | |
| | | | |

INACTIVE

For Reference Use Only

CROWN INTERNATIONAL INC.

1718 WEST MISHAWAKA ROAD ELKHART, INDIANA 46517 PHONE (219) 294-8000

THESE DRAWINGS AND SPECIFICATIONS ARE THE PROPERTY OF CROWN INTERNATIONAL INC. AND SHALL NOT BE REPRODUCED, COPIED, OR USED AS THE BASIS FOR THE MANUFACTURE OR SALE OF APPARATUS OR DEVICES WITHOUT PERMISSION.

| | | | | | |
|-------|------|----------|----------|----------|-----|
| DRAWN | TLM | 02-24-97 | DWG. NO. | SHEET 17 | REV |
| PROJ. | D360 | | 100296 | CONT. ON | © |
| | | | | SHEET 18 | |

PARTS LIST

| REF DES | C. P. N. | DESCRIPTION | MAP LOC. |
|---------|--------------|--------------------------------|----------|
| R203 | C 9079-2 | 200.OHM TOP ADJ CERMET TRIMMER | H 1 |
| R204 | A10265-10021 | 10. KOHM .25W 1 MF T/R | G 2 |
| R205 | A10265-49911 | 4.99KOHM .25W 1 MF T/R | H 3 |
| R206 | A10265-49911 | 4.99KOHM .25W 1 MF T/R | H 3 |
| R207 | 101051-1 | 5K. , 10%, LINEAR W/21 DETENT | F 2 |
| R208 | A10265-11821 | 11.8 KOHM .25W 1% MF T/R | H 1 |
| R209 | A10265-24921 | 24.9 KOHM .25W 1% MF T/R | H 1 |
| R210 | A10265-69811 | 6.98 KOHM .25W 1% MF T/R | H 1 |
| R211 | A10265-24921 | 24.9 KOHM .25W 1% MF T/R | F 2 |
| R212 | A10266-2201 | 22.0 OHM .25W 5 CF T/R | G 2 |
| R213 | A10265-49911 | 4.99KOHM .25W 1 MF T/R | F 2 |
| R214 | A10265-10031 | 100. KOHM .25W 1 MF T/R | F 2 |
| R215 | A10265-15031 | 150 KOHM .25 1% MF T/R | G 4 |
| R216 | A10265-10721 | 10.7KOHM .25W 1% MF T/R | H 4 |
| R217 | A10265-20031 | 200.KOHM .25W 1 MF T/R | H 3 |
| R218 | A10265-10521 | 10.5KOHM .25W 1% MF T/R | H 3 |
| R219 | A10265-10031 | 100. KOHM .25W 1 MF T/R | F 2 |
| R220 | A10266-5111 | 510. OHM .25W 5 CF T/R | F 2 |
| R221 | C 5215-6 | 22. MOHM .25W 5 THICK FILM T/R | F 2 |
| R222 | A10266-1321 | 1.3 KOHM .25W 5 CF T/R | F 2 |
| R223 | A10265-49911 | 4.99KOHM .25W 1 MF T/R | F 2 |
| R224 | A10266-1231 | 12.KOHM .25W 5% CF T/R | E 3 |
| R225 | A10266-1231 | 12.KOHM .25W 5% CF T/R | E 2 |
| R226 | A10266-2721 | 2.7 KOHM .25W 5 CF T/R | E 3 |
| R227 | A10266-2721 | 2.7 KOHM .25W 5 CF T/R | E 2 |
| R228 | A10266-6831 | 68. KOHM .25W 5% CF T/R | E 3 |
| R229 | A10266-6831 | 68. KOHM .25W 5% CF T/R | E 3 |
| R230 | A10265-10031 | 100. KOHM .25W 1 MF T/R | E 3 |
| R231 | A10265-10031 | 100. KOHM .25W 1 MF T/R | E 2 |
| R232 | A10266-4701 | 47.0 OHM .25W 5 CF T/R | E 4 |
| R233 | A10266-4701 | 47.0 OHM .25W 5 CF T/R | E 2 |
| R234 | A10266-4711 | 470. OHM .25W 5% CF T/R | D 3 |
| R235 | A10266-2201 | 22.0 OHM .25W 5 CF T/R | D 3 |
| R236 | A10266-8211 | 820. OHM .25W 5% CF T/R | D 3 |
| R237 | A10266-8211 | 820. OHM .25W 5% CF T/R | D 2 |
| R238 | A10266-2201 | 22.0 OHM .25W 5 CF T/R | D 2 |
| R239 | A10266-5601 | 56.0 OHM .25W 5% CF T/R | D 2 |
| R240 | A10266-4721 | 4.7 KOHM .25W 5% CF T/R | A 5 |
| R241 | A10266-5601 | 56.0 OHM .25W 5% CF T/R | D 4 |
| R242 | A10265-66501 | 665. OHM .25W 1 MF T/R | B 5 |
| R243 | A10265-27401 | 274. OHM .25W 1% MF T/R | A 5 |
| R244 | A10265-27401 | 274. OHM .25W 1% MF T/R | B 5 |
| R245 | A10265-66501 | 665. OHM .25W 1 MF T/R | B 5 |
| R246 | A10265-66501 | 665. OHM .25W 1 MF T/R | B 5 |
| R247 | A10265-66501 | 665. OHM .25W 1 MF T/R | B 5 |
| R248 | A10266-1041 | 100. KOHM .25W 5% CF25 T/R | A 5 |
| R249 | A10265-35711 | 3.57KOHM .25W 1 MF T/R | A 5 |
| | | | |
| | | | |
| | | | |

INACTIVE

For Reference Use Only

CROWN INTERNATIONAL INC.

1718 WEST MISHAWAKA ROAD ELKHART, INDIANA 46517 PHONE (219) 294-8000

THESE DRAWINGS AND SPECIFICATIONS ARE THE PROPERTY OF CROWN INTERNATIONAL, INC. AND SHALL NOT BE REPRODUCED, COPIED, OR USED AS THE BASIS FOR THE MANUFACTURE OR SALE OF APPARATUS OR DEVICES WITHOUT PERMISSION.

| | | | | | |
|-------|------|----------|----------|----------|-----|
| DRAWN | TLM | 02-24-97 | DWG. NO. | SHEET 18 | REV |
| PROJ. | D360 | | 100296 | CONT. ON | (B) |
| | | | | SHEET 19 | |

PARTS LIST

| REF DES | C. P. N. | DESCRIPTION | MAP LOC. |
|---------|--------------|--------------------------------|----------|
| R250 | A10265-35711 | 3.57KOHM .25W 1 MF T/R | B 5 |
| R251 | A10266-1041 | 100. KOHM .25W 5% CF25 T/R | B 5 |
| R252 | C 8836-6 | 100 OHM .5W 5% FU/FP T/R | F 4 |
| R253 | A10266-1031 | 10. KOHM .25W 5% CF T/R | E 4 |
| R254 | A10266-2721 | 2.7 KOHM .25W 5 CF T/R | E 3 |
| R255 | C 8836-6 | 100 OHM .5W 5% FU/FP T/R | F 3 |
| R256 | A10266-1031 | 10. KOHM .25W 5% CF T/R | E 3 |
| R257 | A10266-2721 | 2.7 KOHM .25W 5 CF T/R | E 3 |
| R258 | A10266-3021 | 3.0 KOHM .25W 5 CF T/R | G 4 |
| R259 | A10265-10011 | 1.0 KOHM .25W 1 MF T/R | F 3 |
| R260 | A10265-10021 | 10. KOHM .25W 1 MF T/R | G 3 |
| R261 | A10266-4721 | 4.7 KOHM .25W 5% CF T/R | G 3 |
| R262 | A10266-4721 | 4.7 KOHM .25W 5% CF T/R | G 3 |
| R263 | A10265-10021 | 10. KOHM .25W 1 MF T/R | G 3 |
| R264 | C 5215-6 | 22. MOHM .25W 5 THICK FILM T/R | F 3 |
| R265 | A10265-27431 | 274.KOHM .25W 1% MF T/R | G 4 |
| R266 | A10265-95311 | 9.53KOHM .25W 1% MF T/R | H 4 |
| R267 | A10266-1321 | 1.3 KOHM .25W 5 CF T/R | F 3 |
| R268 | A10124-24 | WIRE, #24 SOLID BUS | F 3 |
| R269 | A10265-27431 | 274.KOHM .25W 1% MF T/R | G 2 |
| R270 | A10265-95311 | 9.53KOHM .25W 1% MF T/R | G 2 |
| R271 | A10266-5621 | 5.6 KOHM .25W 5% CF T/R | B 3 |
| R272 | A10266-1541 | 150. KOHM .25W 5% CF T/R | A 3 |
| R273 | A10265-17821 | 17.8KOHM .25W 1% MF T/R | A 3 |
| R274 | A10265-24921 | 24.9 KOHM .25W 1% MF T/R | A 3 |
| R275 | A10265-49911 | 4.99KOHM .25W 1 MF T/R | A 3 |
| R276 | A10265-68111 | 6.81KOHM .25W 1% MF T/R | A 3 |
| R277 | A10265-33221 | 33.2KOHM .25W 1% MF T/R | A 4 |
| R278 | A10265-10021 | 10. KOHM .25W 1 MF T/R | A 4 |
| R279 | A10265-20011 | 2.0 KOHM .25W 1% MF T/R | A 3 |
| R280 | A10265-20011 | 2.0 KOHM .25W 1% MF T/R | A 3 |
| R281 | A10265-10001 | 100. OHM .25W 1 MF T/R | A 2 |
| R282 | A10265-51121 | 51.1 KOHM .25W 1% MF T/R | A 2 |
| R283 | A10265-68111 | 6.81KOHM .25W 1% MF T/R | A 2 |
| R284 | A10265-10001 | 100. OHM .25W 1 MF T/R | A 2 |
| R285 | A10266-2741 | 270. KOHM .25W 5% CF25 T/R | A 2 |
| R286 | C 5062-2 | 100KOHM LINEAR TRIMPOT | A 2 |
| R287 | A10265-14321 | 14.3 KOHM .25W 1% MF T/R | A 4 |
| R288 | A10265-32421 | 32.4KOHM .25 1% MF T/R | A 4 |
| R289 | A10265-19121 | 19.1KOHM .25W 1% MF T/R | A 4 |
| R290 | A10265-33221 | 33.2KOHM .25W 1% MF T/R | B 3 |
| R291 | A10265-10021 | 10. KOHM .25W 1 MF T/R | B 3 |
| R292 | A10265-20011 | 2.0 KOHM .25W 1% MF T/R | B 4 |
| R293 | A10265-20011 | 2.0 KOHM .25W 1% MF T/R | B 4 |
| R294 | A10265-68111 | 6.81KOHM .25W 1% MF T/R | B 3 |
| R295 | A10265-10001 | 100. OHM .25W 1 MF T/R | B 2 |
| R296 | A10265-51121 | 51.1 KOHM .25W 1% MF T/R | B 2 |
| | | | |
| | | | |
| | | | |

INACTIVE

For Reference Use Only

CROWN INTERNATIONAL INC.

1718 WEST MISHAWAKA ROAD ELKHART, INDIANA 46517 PHONE (219) 294-8000

THESE DRAWINGS AND SPECIFICATIONS ARE THE PROPERTY OF CROWN INTERNATIONAL, INC. AND SHALL NOT BE REPRODUCED, COPIED, OR USED AS THE BASIS FOR THE MANUFACTURE OR SALE OF APPARATUS OR DEVICES WITHOUT PERMISSION.

| | | | | | |
|-------|------|----------|----------|----------|-----|
| DRAWN | TLM | 02-24-97 | DWG. NO. | SHEET 19 | REV |
| PROJ. | D360 | | 100296 | CONT. ON | (C) |
| | | | | SHEET 20 | |

PARTS LIST

| REF DES | C. P. N. | DESCRIPTION | MAP LOC. |
|---------|--------------|----------------------------|----------|
| R297 | A10265-68111 | 6.81KOHM .25W 1% MF T/R | B 2 |
| R298 | A10265-10001 | 100. OHM .25W 1 MF T/R | B 2 |
| R299 | A10266-2741 | 270. KOHM .25W 5% CF25 T/R | B 2 |
| R300 | C 5062-2 | 100KOHM LINEAR TRIMPOT | P 2 |
| R301 | A10265-14321 | 14.3 KOHM .25W 1% MF T/R | P 4 |
| R302 | A10265-32421 | 32.4KOHM .25 1% MF T/R | P 4 |
| R303 | A10265-19121 | 19.1KOHM .25W 1% MF T/R | P 4 |
| R304 | A10265-39221 | 39.2KOHM .25W 1% MF T/R | P 4 |
| R305 | A10265-35731 | 357.KOHM .25W 1 MF T/R | P 4 |
| R306 | A10266-3021 | 3.0 KOHM .25W 5 CF T/R | O 1 |
| R307 | A10266-1521 | 1.5 KOHM .25W 5% CF T/R | O 1 |
| R308 | A10266-1041 | 100. KOHM .25W 5% CF25 T/R | O 1 |
| R309 | C 7779-9 | 22. OHM .25W 5% FU/FP T/R | N 5 |
| R310 | A10266-4711 | 470. OHM .25W 5% CF T/R | N 5 |
| R311 | A10266-4711 | 470. OHM .25W 5% CF T/R | N 5 |
| R312 | C 7779-9 | 22. OHM .25W 5% FU/FP T/R | N 5 |
| R313 | A10266-4711 | 470. OHM .25W 5% CF T/R | N 5 |
| R314 | C 7779-9 | 22. OHM .25W 5% FU/FP T/R | N 4 |
| R315 | A10266-4711 | 470. OHM .25W 5% CF T/R | N 4 |
| R316 | A10266-4711 | 470. OHM .25W 5% CF T/R | N 4 |
| R317 | A10266-4711 | 470. OHM .25W 5% CF T/R | N 4 |
| R318 | C 7779-9 | 22. OHM .25W 5% FU/FP T/R | N 4 |
| R319 | A10266-2731 | 27. KOHM .25W 5 CF T/R | N 5 |
| R320 | A10266-3321 | 3.3 KOHM .25W 5% CF T/R | L 5 |
| R321 | A10266-3321 | 3.3 KOHM .25W 5% CF T/R | L 5 |
| R322 | A10266-2051 | 2.0 MOHM .25W 5 CF T/R | K 5 |
| R323 | A10266-1521 | 1.5 KOHM .25W 5% CF T/R | L 5 |
| R324 | A10266-4711 | 470. OHM .25W 5% CF T/R | K 5 |
| R325 | A10266-1041 | 100. KOHM .25W 5% CF25 T/R | K 5 |
| R326 | A10266-5121 | 5.1 KOHM .25W 5 CF T/R | K 5 |
| R327 | A10266-7521 | 7.5 KOHM .25W 5% CF T/R | K 5 |
| R328 | A10266-8231 | 82. KOHM .25W 5% CF T/R | L 5 |
| R329 | A10265-51121 | 51.1 KOHM .25W 1% MF T/R | L 6 |
| R330 | A10266-4741 | 470. KOHM .25W 5% CF T/R | L 5 |
| R331 | A10266-2751 | 2.7 MOHM .25W 5% CF T/R | L 5 |
| R332 | A10265-49931 | 499KOHM .25W 1% MF T/R | L 6 |
| R333 | A10265-28701 | 287. OHM .25W 1% MF T/R | L 6 |
| R334 | A10266-1831 | 18. KOHM .25W 5% CF T/R | L 6 |
| R335 | A10266-2051 | 2.0 MOHM .25W 5 CF T/R | J 6 |
| R336 | A10265-10011 | 1.0 KOHM .25W 1 MF T/R | K 6 |
| R337 | A10265-10021 | 10. KOHM .25W 1 MF T/R | J 6 |
| R338 | A10266-1041 | 100. KOHM .25W 5% CF25 T/R | J 6 |
| R339 | A10266-4731 | 47. KOHM .25W 5% CF25 T/R | J 6 |
| R340 | A10266-5121 | 5.1 KOHM .25W 5 CF T/R | L 6 |
| R341 | A10266-2031 | 20. KOHM .25W 5 CF T/R | L 6 |
| R342 | A10266-3921 | 3.9 KOHM .25W 5% CF T/R | L 5 |
| R343 | A10266-1031 | 10. KOHM .25W 5% CF T/R | L 5 |
| | | | |
| | | | |
| | | | |

INACTIVE

For Reference Use Only

CROWN INTERNATIONAL INC.

1718 WEST MISHAWAKA ROAD ELKHART, INDIANA 46517 PHONE (219) 294-8000

THESE DRAWINGS AND SPECIFICATIONS ARE THE PROPERTY OF CROWN INTERNATIONAL, INC. AND SHALL NOT BE REPRODUCED, COPIED, OR USED AS THE BASIS FOR THE MANUFACTURE OR SALE OF APPARATUS OR DEVICES WITHOUT PERMISSION.

| | | | | | |
|-------|------|----------|----------|-------------------|-----|
| DRAWN | TLM | 02-24-97 | DWG. NO. | SHEET 20 | REV |
| PROJ. | D360 | | 100296 | CONT. ON SHEET 21 | (B) |

PARTS LIST

| REF DES | C. P. N. | DESCRIPTION | MAP LOC. |
|---------|--------------|----------------------------|----------|
| R344 | A10266-4731 | 47. KOHM .25W 5% CF25 T/R | L 4 |
| R345 | A10266-1031 | 10. KOHM .25W 5% CF T/R | L 5 |
| R346 | A10266-4731 | 47. KOHM .25W 5% CF25 T/R | L 4 |
| R347 | A10266-1031 | 10. KOHM .25W 5% CF T/R | L 4 |
| R348 | A10266-1031 | 10. KOHM .25W 5% CF T/R | L 4 |
| R349 | A10266-1031 | 10. KOHM .25W 5% CF T/R | L 4 |
| R350 | A10266-4701 | 47.0 OHM .25W 5 CF T/R | L 5 |
| R351 | A10266-2031 | 20. KOHM .25W 5 CF T/R | K 4 |
| R352 | A10266-1031 | 10. KOHM .25W 5% CF T/R | L 4 |
| R353 | A10266-4731 | 47. KOHM .25W 5% CF25 T/R | L 4 |
| R354 | A10266-4731 | 47. KOHM .25W 5% CF25 T/R | L 4 |
| R355 | A10266-4731 | 47. KOHM .25W 5% CF25 T/R | L 4 |
| R356 | A10266-4731 | 47. KOHM .25W 5% CF25 T/R | L 4 |
| R357 | A10266-1031 | 10. KOHM .25W 5% CF T/R | L 5 |
| R358 | A10266-2031 | 20. KOHM .25W 5 CF T/R | L 4 |
| R359 | A10265-10R01 | 10.0 OHM .25W 1 MF T/R | N 4 |
| R360 | A10266-1211 | 120. OHM .25W 5 CF T/R | N 4 |
| R361 | C 6048-0 | 500 OHM PIHER TRIM | N 4 |
| R362 | A10265-10R01 | 10.0 OHM .25W 1 MF T/R | N 4 |
| R363 | A10265-30111 | 3.01KOHM .25W 1 MF T/R | N 3 |
| R364 | A10265-18221 | 18.2KOHM .25W 1% MF T/R | N 3 |
| R365 | A10265-30111 | 3.01KOHM .25W 1 MF T/R | N 3 |
| R366 | A10265-18221 | 18.2KOHM .25W 1% MF T/R | N 3 |
| R367 | A10265-10011 | 1.0 KOHM .25W 1 MF T/R | N 3 |
| R368 | A10266-4711 | 470. OHM .25W 5% CF T/R | J 4 |
| R369 | A10266-4711 | 470. OHM .25W 5% CF T/R | J 4 |
| R370 | A10266-1831 | 18. KOHM .25W 5% CF T/R | L 6 |
| R371 | A10265-10021 | 10. KOHM .25W 1 MF T/R | J 5 |
| R400 | C 5062-2 | 100KOHM LINEAR TRIMPOT | B 2 |
| R401 | A10265-14321 | 14.3 KOHM .25W 1% MF T/R | B 4 |
| R402 | A10265-32421 | 32.4KOHM .25 1% MF T/R | B 4 |
| R403 | A10265-19121 | 19.1KOHM .25W 1% MF T/R | B 4 |
| R404 | A10265-39221 | 39.2KOHM .25W 1% MF T/R | B 4 |
| R405 | A10265-35731 | 357.KOHM .25W 1 MF T/R | B 5 |
| R406 | A10266-3021 | 3.0 KOHM .25W 5 CF T/R | B 1 |
| R407 | A10266-1521 | 1.5 KOHM .25W 5% CF T/R | B 1 |
| R408 | A10266-1041 | 100. KOHM .25W 5% CF25 T/R | B 1 |
| R409 | C 7779-9 | 22. OHM .25W 5% FU/FP T/R | C 5 |
| R410 | A10266-4711 | 470. OHM .25W 5% CF T/R | C 5 |
| R411 | A10266-4711 | 470. OHM .25W 5% CF T/R | C 5 |
| R412 | C 7779-9 | 22. OHM .25W 5% FU/FP T/R | C 5 |
| R413 | A10266-4711 | 470. OHM .25W 5% CF T/R | C 5 |
| R414 | C 7779-9 | 22. OHM .25W 5% FU/FP T/R | C 4 |
| R415 | A10266-4711 | 470. OHM .25W 5% CF T/R | C 4 |
| R416 | A10266-4711 | 470. OHM .25W 5% CF T/R | C 4 |
| R417 | A10266-4711 | 470. OHM .25W 5% CF T/R | C 4 |
| R418 | C 7779-9 | 22. OHM .25W 5% FU/FP T/R | C 4 |
| | | | |
| | | | |
| | | | |

INACTIVE

For Reference Use Only

| | | | |
|---------------------------------|------|------------------------|----------------------|
| CROWN INTERNATIONAL INC. | | | |
| 1718 WEST MISHAWAKA ROAD | | ELKHART, INDIANA 46517 | PHONE (219) 294-8000 |
| DRAWN | TLM | 02-24-97 | DWG. NO. |
| PROJ. | D360 | | 100296 |
| | | SHEET 21 | REV |
| | | CONT. ON | (B) |
| | | SHEET 22 | |

THESE DRAWINGS AND SPECIFICATIONS ARE THE PROPERTY OF CROWN INTERNATIONAL, INC. AND SHALL NOT BE REPRODUCED, COPIED, OR USED AS THE BASIS FOR THE MANUFACTURE OR SALE OF APPARATUS OR DEVICES WITHOUT PERMISSION.

PARTS LIST

| REF DES | C. P. N. | DESCRIPTION | MAP LOC. |
|---------|--------------|----------------------------|----------|
| R419 | A10266-2731 | 27. KOHM .25W 5 CF T/R | C 5 |
| R420 | A10266-3321 | 3.3 KOHM .25W 5% CF T/R | E 5 |
| R421 | A10266-3321 | 3.3 KOHM .25W 5% CF T/R | E 5 |
| R422 | A10266-2051 | 2.0 MOHM .25W 5 CF T/R | F 5 |
| R423 | A10266-1521 | 1.5 KOHM .25W 5% CF T/R | E 5 |
| R424 | A10266-4711 | 470. OHM .25W 5% CF T/R | F 5 |
| R425 | A10266-1041 | 100. KOHM .25W 5% CF25 T/R | F 5 |
| R426 | A10266-5121 | 5.1 KOHM .25W 5 CF T/R | F 5 |
| R427 | A10266-7521 | 7.5 KOHM .25W 5% CF T/R | F 5 |
| R428 | A10266-8231 | 82. KOHM .25W 5% CF T/R | E 5 |
| R429 | A10265-51121 | 51.1 KOHM .25W 1% MF T/R | E 6 |
| R430 | A10266-4741 | 470. KOHM .25W 5% CF T/R | E 5 |
| R431 | A10266-2751 | 2.7 MOHM .25W 5% CF T/R | E 5 |
| R432 | A10265-49931 | 499KOHM .25W 1% MF T/R | E 6 |
| R433 | A10265-28701 | 287. OHM .25W 1% MF T/R | E 6 |
| R434 | A10266-1831 | 18. KOHM .25W 5% CF T/R | E 6 |
| R435 | A10266-2051 | 2.0 MOHM .25W 5 CF T/R | G 6 |
| R436 | A10265-10011 | 1.0 KOHM .25W 1 MF T/R | F 6 |
| R437 | A10265-10021 | 10. KOHM .25W 1 MF T/R | G 6 |
| R438 | A10266-1041 | 100. KOHM .25W 5% CF25 T/R | G 6 |
| R439 | A10266-4731 | 47. KOHM .25W 5% CF25 T/R | G 6 |
| R440 | A10266-5121 | 5.1 KOHM .25W 5 CF T/R | E 6 |
| R441 | A10266-2031 | 20. KOHM .25W 5 CF T/R | E 6 |
| R442 | A10266-3921 | 3.9 KOHM .25W 5% CF T/R | E 5 |
| R443 | A10266-1031 | 10. KOHM .25W 5% CF T/R | E 5 |
| R444 | A10266-4731 | 47. KOHM .25W 5% CF25 T/R | E 4 |
| R445 | A10266-1031 | 10. KOHM .25W 5% CF T/R | E 5 |
| R446 | A10266-4731 | 47. KOHM .25W 5% CF25 T/R | E 4 |
| R447 | A10266-1031 | 10. KOHM .25W 5% CF T/R | E 4 |
| R448 | A10266-1031 | 10. KOHM .25W 5% CF T/R | E 4 |
| R449 | A10266-1031 | 10. KOHM .25W 5% CF T/R | E 4 |
| R450 | A10266-4701 | 47.0 OHM .25W 5 CF T/R | E 5 |
| R451 | A10266-2031 | 20. KOHM .25W 5 CF T/R | F 4 |
| R452 | A10266-1031 | 10. KOHM .25W 5% CF T/R | E 4 |
| R453 | A10266-4731 | 47. KOHM .25W 5% CF25 T/R | E 4 |
| R454 | A10266-4731 | 47. KOHM .25W 5% CF25 T/R | E 4 |
| R455 | A10266-4731 | 47. KOHM .25W 5% CF25 T/R | E 4 |
| R456 | A10266-4731 | 47. KOHM .25W 5% CF25 T/R | E 4 |
| R457 | A10266-1031 | 10. KOHM .25W 5% CF T/R | E 5 |
| R458 | A10266-2031 | 20. KOHM .25W 5 CF T/R | E 4 |
| R459 | A10265-10R01 | 10.0 OHM .25W 1 MF T/R | C 3 |
| R460 | A10266-1211 | 120. OHM .25W 5 CF T/R | C 3 |
| R461 | C 6048-0 | 500 OHM PIHER TRIM | C 4 |
| R462 | A10265-10R01 | 10.0 OHM .25W 1 MF T/R | C 4 |
| R463 | A10265-30111 | 3.01KOHM .25W 1 MF T/R | C 3 |
| R464 | A10265-18221 | 18.2KOHM .25W 1% MF T/R | C 3 |
| R465 | A10265-30111 | 3.01KOHM .25W 1 MF T/R | C 3 |
| | | | |
| | | | |
| | | | |

INACTIVE

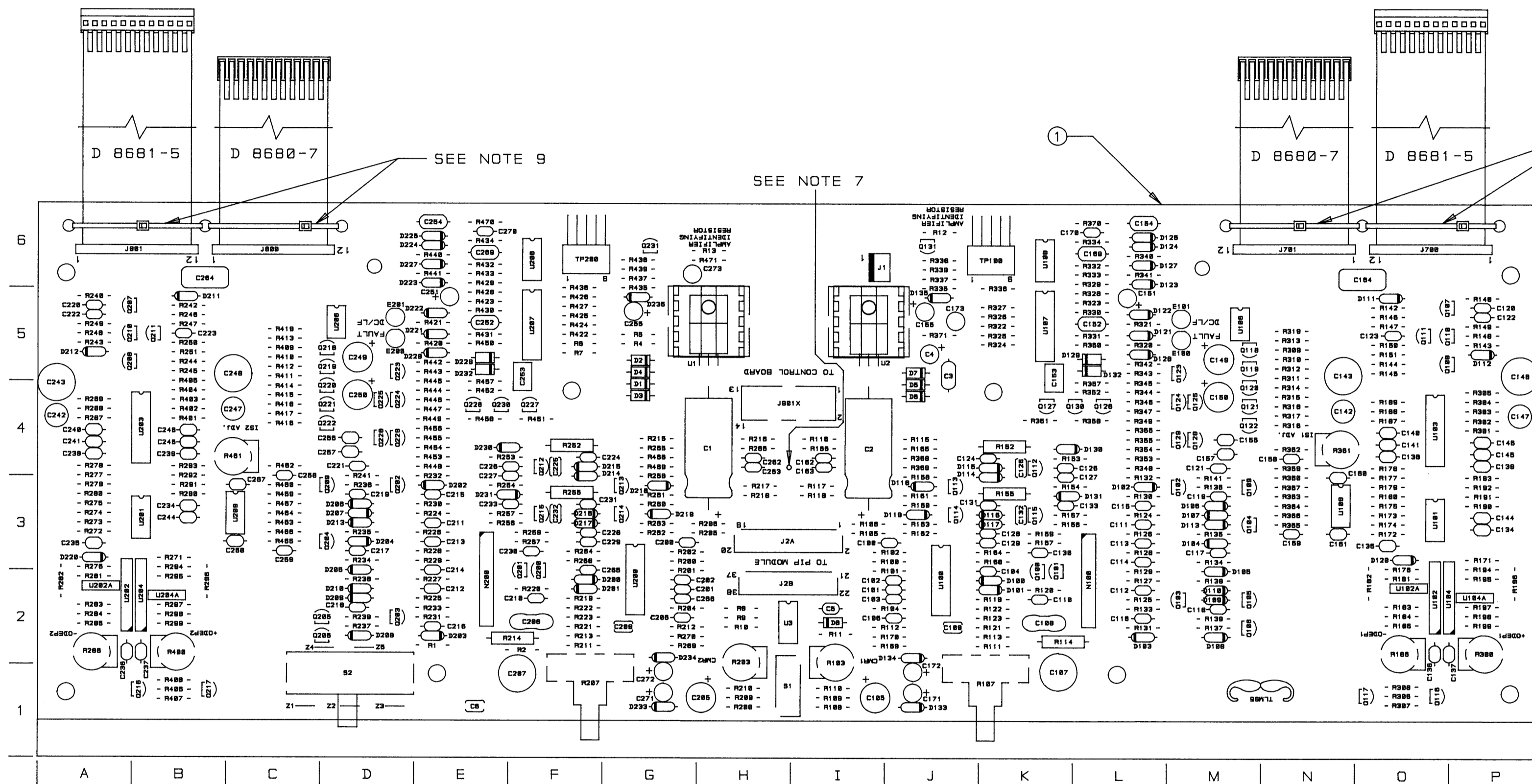
For Reference Use Only

| | | | |
|---------------------------------|------|------------------------|----------|
| CROWN INTERNATIONAL INC. | | | |
| 1718 WEST MISHAWAKA ROAD | | ELKHART, INDIANA 46517 | |
| | | PHONE (219) 294-8000 | |
| DRAWN | TLM | 02-24-97 | DWG. NO. |
| PROJ. | D360 | 100296 | |
| | | SHEET 22 | REV |
| | | CONT. ON | (B) |
| | | SHEET 23 | |

THESE DRAWINGS AND SPECIFICATIONS ARE THE PROPERTY OF CROWN INTERNATIONAL, INC. AND SHALL NOT BE REPRODUCED, COPIED, OR USED AS THE BASIS FOR THE MANUFACTURE OR SALE OF APPARATUS OR DEVICES WITHOUT PERMISSION.

COMPONENT MAP

(COMPONENT SIDE VIEW)



SEE NOTE 9

SEE NOTE 7

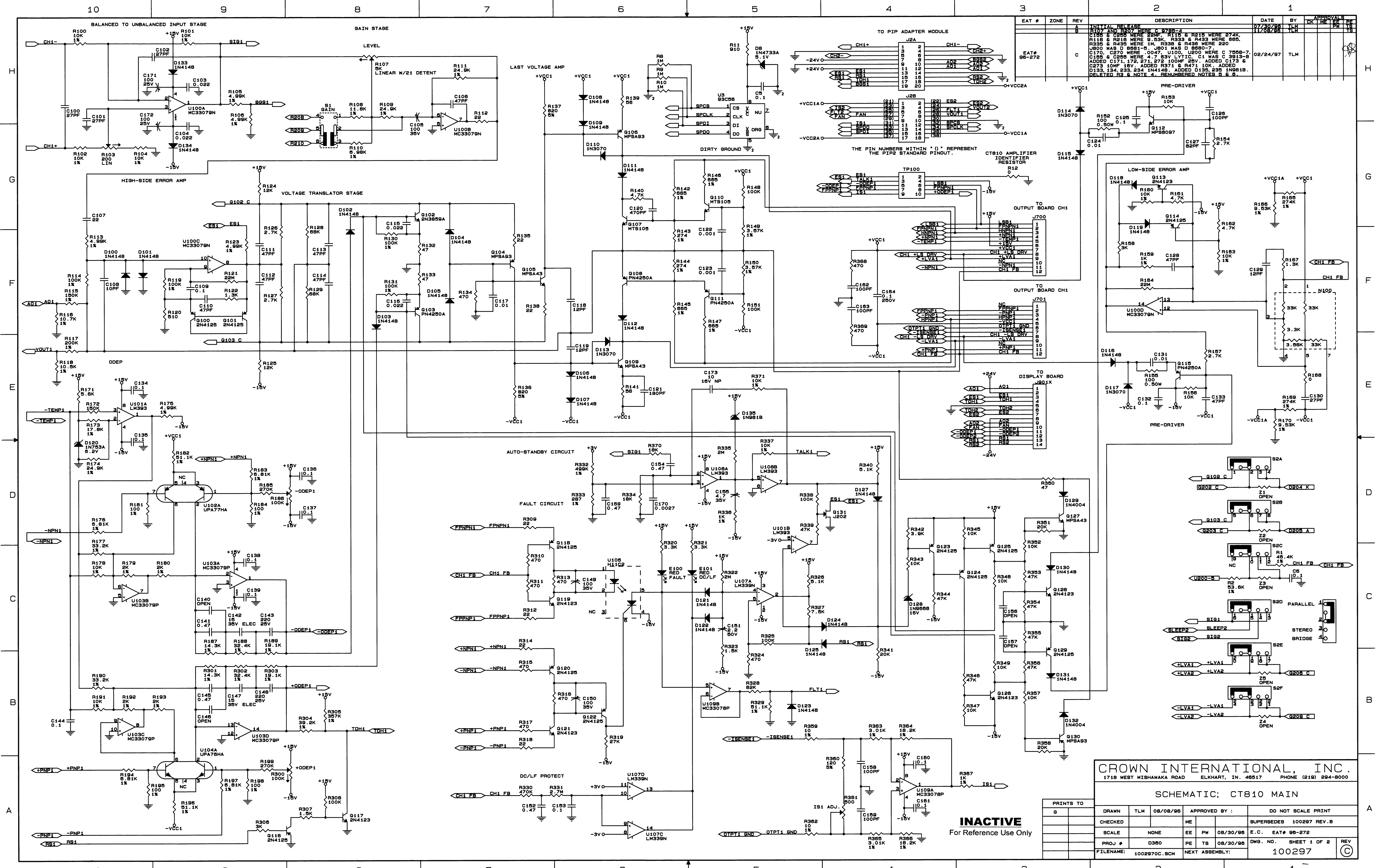
SEE NOTE 9

1

INACTIVE
For Reference Use Only

| | | | | |
|---------------------------------|------|------------------------|----------|----------------------|
| CROWN INTERNATIONAL INC. | | | | |
| 1718 WEST MISHAWAKA ROAD | | ELKHART, INDIANA 46517 | | PHONE (219) 294-8000 |
| DRAWN | TLM | 02-24-97 | DWG. NO. | 100296 |
| PROJ. | D360 | | SHEET 24 | REV B |

THESE DRAWINGS AND SPECIFICATIONS ARE THE PROPERTY OF CROWN INTERNATIONAL, INC. AND SHALL NOT BE REPRODUCED, COPIED, OR USED AS THE BASIS FOR THE MANUFACTURE OR SALE OF APPARATUS OR DEVICES WITHOUT PERMISSION.



| EAT # | ZONE | REV | DESCRIPTION | DATE | BY | CHK | APP | REV |
|--------|------|-----|--|----------|-----|-----|-----|-----|
| 96-272 | | A | INITIAL RELEASE | 07/30/98 | TLM | | | 1 |
| | | B | R117 AND R207 WERE C 878K-4 | 11/28/98 | TLM | | | 2 |
| | | C | R116 & R216 WERE 274K, R118 & R218 WERE 9.53K, R338 & R438 WERE 98K, R335 & R435 WERE 1M, R339 & R439 WERE 220, J800 WAS D 8881-8, J801 WAS D 8880-7, C170, C270 WERE .0047, U100C, U200 WERE C 7583-7, C155 & C255 WERE 4.7 63V LYTIC, C1 WAS C 3813-8, ADDED C171, 172, 271, 272, 100UF 25V, ADDED C173 & C273 100UF 16V, ADDED R371 & R471 10K, ADDED D133, 134, 233, 234 1N4148, ADDED D135, 235 1N861B, DELETED R3 & NOTE 4, RENUMBERED NOTES 5 & 6 | 02/24/97 | TLM | | | 3 |

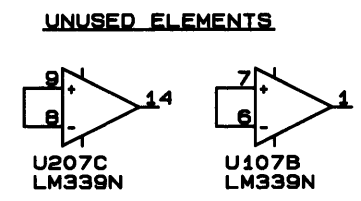
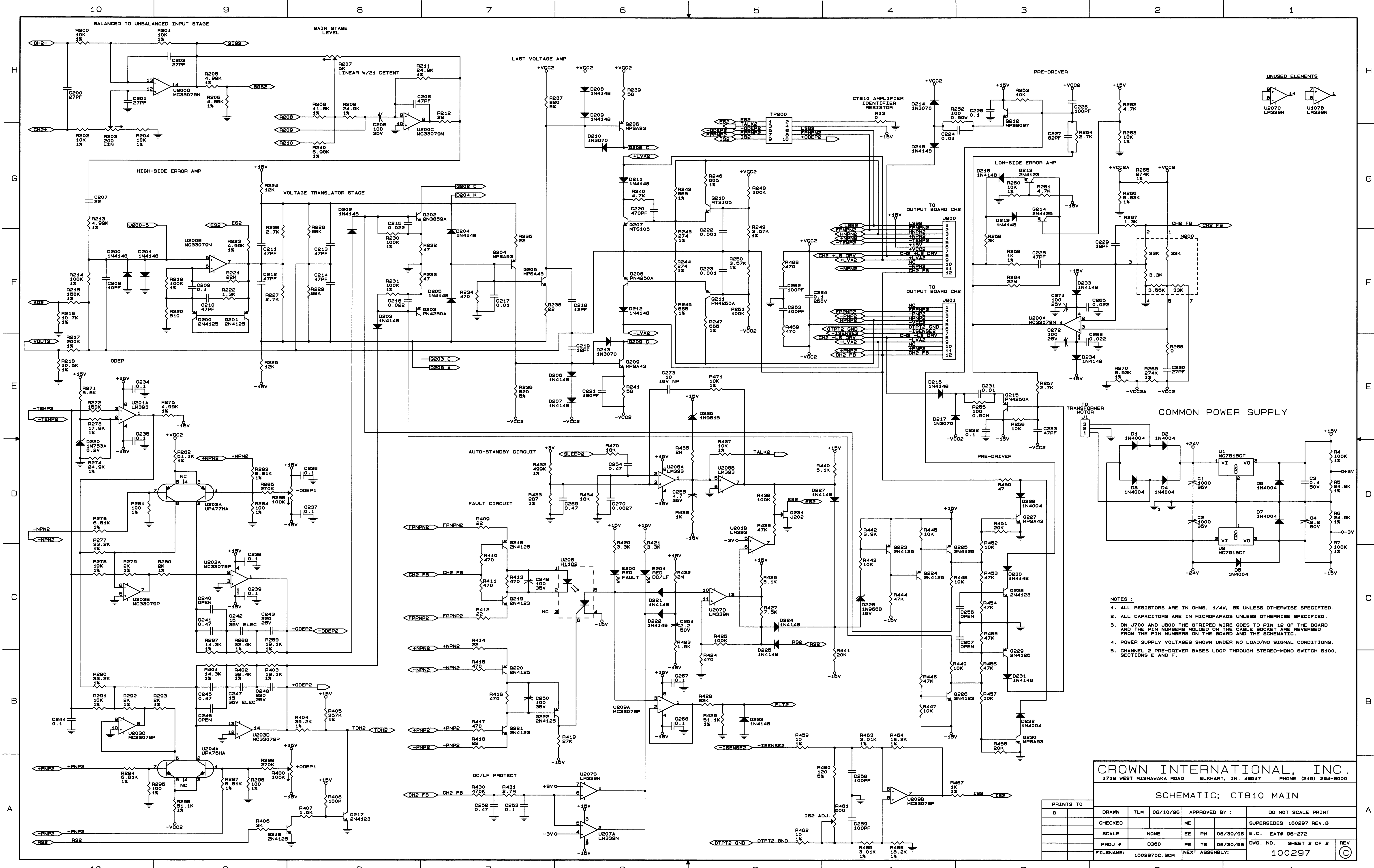
CROWN INTERNATIONAL, INC.
 1718 WEST WISHAKAMA ROAD ELKHART, IN. 46517 PHONE (219) 294-8000

SCHEMATIC: CT810 MAIN

| | | | |
|-----------|-------|--------|--------------|
| PRINTS TO | SCALE | PROJ # | FILENAME: |
| G | NONE | D360 | 1002970C.SCH |

| | | | | |
|-----------|--------------|----------------|---------------|-------------------------|
| DRAWN | TLM | 08/08/98 | APPROVED BY : | DO NOT SCALE PRINT |
| CHECKED | | | EE PW | SUPERSEDES 100297 REV.B |
| SCALE | NONE | EE PW | 08/30/98 | E.C. EAT# 96-272 |
| PROJ # | D360 | PE TS | 08/30/98 | DWG. NO. SHEET 1 OF 2 |
| FILENAME: | 1002970C.SCH | NEXT ASSEMBLY: | | 100297 |

INACTIVE
 For Reference Use Only



- NOTES:
1. ALL RESISTORS ARE IN OHMS, 1/4W, 5% UNLESS OTHERWISE SPECIFIED.
 2. ALL CAPACITORS ARE IN MICROFARADS UNLESS OTHERWISE SPECIFIED.
 3. ON J700 AND J800 THE STRIPED WIRE GOES TO PIN 12 OF THE BOARD AND THE PIN NUMBERS ON THE CABLE SOCKET ARE REVERSED FROM THE PIN NUMBERS ON THE BOARD AND THE SCHEMATIC.
 4. POWER SUPPLY VOLTAGES SHOWN UNDER NO LOAD/NO SIGNAL CONDITIONS.
 5. CHANNEL 2 PRE-DRIVER BASES LOOP THROUGH STEREO-MONO SWITCH S100, SECTIONS E AND F.

| | | | | |
|---|-----------|--------------|----------------|--------------------------|
| CROWN INTERNATIONAL, INC. 1718 WEST MISHAWAKA ROAD ELKHART, IN. 46517 PHONE (219) 294-8000 | | | | |
| SCHEMATIC; CT810 MAIN | | | | |
| PRINTS TO | DRAWN | TLM | 06/10/98 | APPROVED BY : |
| | CHECKED | HE | | DO NOT SCALE PRINT |
| | SCALE | NONE | EE PW | SUPERSEDES 100297 REV. B |
| | PROJ # | D380 | PE TS | E.C. EAT# 98-272 |
| | FILENAME: | 100297OC.SCM | NEXT ASSEMBLY: | DWG. NO. SHEET 2 OF 2 |
| | | | | 100297 |

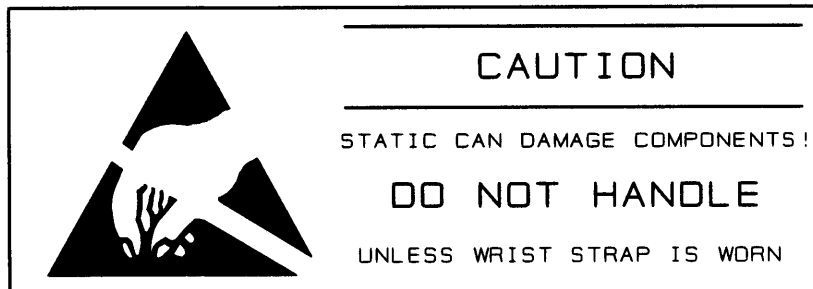
**CT810A Main Module 125412 Information On Following Pages
Documentation, Component Map, Schematic**

| E. C. N. | ZONE | REV. | DESCRIPTION | DATE | BY | APPROVALS | | | |
|----------|------|------|---|----------|-----|-----------|----|----|----|
| | | | | | | CHK | ME | EE | PE |
| | | A | INITIAL RELEASE 125412-1. | 11-07-97 | KLW | TLM | | | EB |
| | | B | NOTE 2 WAS 125414-1. NOTE 3 WAS 125412-1 ADDED C175, C176, C275 AND C276. C122, C123, C222 AND C223 WERE 0.001UF. | 12-16-97 | JAW | KW | | | EB |
| EAD3921 | | C | REMOVED NOTE 9. RE-NUMBERED NOTES. | 01-12-98 | JAW | KW | | | EB |
| 98E0129 | | D | R107 AND R207 WERE P/N 101051-1. | 03-04-98 | KLW | JAW | | | EB |

UNLESS OTHERWISE SPECIFIED, THE FINISHED PWA SHALL MEET:
IPC-A-610_ CLASS 2

NOTES:

1. SCHEMATIC DRAWING NUMBER 125408.
2. PRINTED WIRING BOARD PART NUMBER 125414-3.
3. PRINTED WIRING ASSEMBLY PART NUMBER 125412-2.
4. ALL LEADS SHALL BE TRIMMED TO 0.093" OR LESS.
5. POSITION COMPONENTS AS SHOWN ON COMPONENT MAP.
6. INSERT 8 PIN IC SOCKET (C 3451-9) AT REFERENCE DESIGNATION LOCATION U3.
7. REMOVE SOLDER OR PREVENT SOLDER FROM ACCUMULATING IN HOLES INDICATED ON THE COMPONENT MAP.
8. INSTALL HEATSINK (C 9494-3) AT REFERENCE DESIGNATION LOCATIONS U1 AND U2.
9. INSTALL CABLE TIE (C 8812-7) AT REFERENCE DESIGNATION LOCATIONS J700, J701, J800 AND J801.
USE A 0.25" DIAMETER ROD AS A GAUGE TO CHECK THE TIGHTNESS OF THE CABLES.
ON THE COMPONENT SIDE PRESS THE CABLE AGAINST THE BOARD, THE GAUGE SHOULD NOT FIT UNDER THE CABLE TIE.
10. THE CROWN PART NUMBER FOR THIS MODULE SHALL BE MARKED ON THE P.C. BOARD AND SHALL BE PERMANENT.



THESE DRAWINGS AND SPECIFICATIONS ARE THE PROPERTY OF CROWN INTERNATIONAL, INC. AND SHALL NOT BE REPRODUCED, COPIED, OR USED AS THE BASIS FOR THE MANUFACTURE OR SALE OF APPARATUS OR DEVICES WITHOUT PERMISSION.

| | | | | | | | | | |
|---------------------------------|--|---|---------|----------|--------------|----------------------|--------------------|--|-----|
| CROWN INTERNATIONAL INC. | | | | | | | | | |
| PRINTS TO | | 1718 WEST MISHAWAKA ROAD ELKHART, INDIANA 46517 | | | | PHONE (219) 294-8000 | | | |
| K | | PWA; CT810A MAIN | | | | | | TOL. UNLESS SPECIFIED X.XX - ± 0.020 X.XXX - ± 0.010 DRILLS - ± 0.003 | |
| | | DRAWN | KLW | 11-07-97 | APPROVED BY: | | DO NOT SCALE PRINT | | |
| | | CHECKED | TLM | 11-11-97 | ME | | SUPERSEDES | | |
| | | SCALE | NONE | | EE | | E. C. N. | | |
| | | PROJ # | MD360D0 | | PE | EB | 11-11-97 | DWG. NO. SHEET 1 OF 22 | REV |
| | | NEXT ASSEMBLY | | | | 125412 | | (D) | |

INACTIVE

For Reference Use Only

PARTS LIST

| C. P. N. | DESCRIPTION | QTY | REFERENCE DESIGNATION |
|--------------|---------------------------|-----|---|
| A10124-24 | WIRE, #24 SOLID BUS | 8" | R12, R13, R168, R268 |
| A10265-10001 | 100. OHM .25W 1 MF T/R | 9 | R181, R184, R195, R198, R281, R284, R295, R298, R332 |
| A10265-10011 | 1.0 KOHM .25W 1 MF T/R | 5 | R159, R25, R259, R367, R467 |
| A10265-10021 | 10. KOHM .25W 1 MF T/R | 16 | R100, R101, R102, R104, R160, R163, R178, R191, R200, R201, R202, R204, R260, R263, R278, R291 |
| A10265-10031 | 100. KOHM .25W 1 MF T/R | 10 | R114, R119, R130, R131, R214, R219, R230, R231, R4, R7 |
| A10265-10211 | 1.02K OHM 0.25W 1% MF T/R | 4 | R363, R365, R463, R465 |
| A10265-10521 | 10.5KOHM .25W 1% MF T/R | 2 | R118, R218 |
| A10265-10721 | 10.7KOHM .25W 1% MF T/R | 2 | R116, R216 |
| A10265-10R01 | 10.0 OHM .25W 1 MF T/R | 6 | R359, R362, R367, R459, R462, R467 |
| A10265-11821 | 11.8K OHM 0.25W 1% MF T/R | 2 | R108, R208 |
| A10265-14321 | 14.3K OHM 0.25W 1% MF T/R | 4 | R187, R287, R301, R401 |
| A10265-15031 | 150 KOHM .25 1% MF T/R | 2 | R115, R215 |
| A10265-17821 | 17.8KOHM .25W 1% MF T/R | 2 | R173, R273 |
| A10265-18221 | 18.2K OHM .25W 1% MF T/R | 4 | R364, R366, R464, R466 |
| A10265-19121 | 19.1K OHM 0.25W 1% MF T/R | 4 | R189, R289, R303, R403 |
| A10265-20011 | 2.0 KOHM .25W 1% MF T/R | 8 | R179, R180, R192, R193, R279, R280, R292, R293 |
| A10265-20031 | 200. KOHM .25W 1 MF T/R | 2 | R117, R217 |
| A10265-24921 | 24.9 KOHM .25W 1% MF T/R | 8 | R109, R111, R174, R209, R211, R274, R5, R6 |
| A10265-27401 | 274. OHM .25W 1% MF T/R | 4 | R143, R144, R243, R244 |
| A10265-27431 | 274. KOHM .25W 1% MF T/R | 4 | R165, R169, R265, R269 |
| A10265-32421 | 32.4K OHM 0.25W 1% MF T/R | 4 | R188, R288, R302, R402 |
| A10265-33221 | 33.2KOHM .25W 1% MF T/R | 4 | R177, R190, R277, R290 |
| A10265-35711 | 3.57KOHM .25W 1 MF T/R | 4 | R149, R150, R249, R250 |
| A10265-35731 | 357. KOHM .25W 1 MF T/R | 2 | R305, R405 |
| A10265-39221 | 39.2KOHM .25W 1% MF T/R | 2 | R304, R404 |
| A10265-46421 | 46.4 KOHM .25W 1% MF T/R | 1 | R1 |
| A10265-49911 | 4.99KOHM .25W 1 MF T/R | 10 | R105, R106, R113, R123, R175, R205, R206, R213, R223, R275, |
| A10265-51121 | 51.1 KOHM .25W 1% MF T/R | 6 | R182, R196, R282, R296, R329, R429 |
| A10265-53621 | 53.6 KOHM .25W 1% MF T/R | 1 | R2 |
| A10265-66501 | 665 OHM 0.25W 1% MF T/R | 8 | R142, R145, R146, R147, R242, R245, R246, R247 |
| A10265-68111 | 6.81KOHM .25W 1% MF T/R | 8 | R176, R183, R194, R197, R276, R283, R294, R297 |
| A10265-69811 | 6.98 KOHM .25W 1% MF T/R | 2 | R110, R210 |
| A10265-95311 | 9.53KOHM .25W 1% MF T/R | 4 | R166, R170, R266, R270 |
| A10266-1031 | 10. KOHM .25W 5% CF T/R | 19 | R153, R156, R24, R253, R256, R343, R345, R347, R348, R349, R352, R357, R443, R445, R447, R448, R449, R452, R457 |

CROWN INTERNATIONAL INC.

1718 WEST MISHAWAKA ROAD ELKHART, INDIANA 46517 PHONE (219) 294-8888

THESE DRAWINGS AND SPECIFICATIONS ARE THE PROPERTY OF CROWN INTERNATIONAL, INC. AND SHALL NOT BE REPRODUCED, COPIED, OR USED AS THE BASIS FOR THE MANUFACTURE OR SALE OF APPARATUS OR DEVICES WITHOUT PERMISSION.

| | | | | | |
|-------|---------|----------|----------|---------------|-----|
| DRAWN | KLW | 11-07-97 | DWG. NO. | SHEET 2 OF 22 | REV |
| PROJ. | MD360D0 | | 125412 | | (D) |

PARTS LIST

| C. P. N. | DESCRIPTION | QTY | REFERENCE DESIGNATION |
|--------------|------------------------------|-----|--|
| A10266-1041 | 100. KOHM .25W 5% CF25 T/R | 12 | R140, R151, R20, R21, R240, R251, R300, R325, R330, R400, R425, R430 |
| A10266-1051 | 1.0 MOHM .25W 5 CF T/R | 5 | R10, R17, R22, R8, R9 |
| A10266-1211 | 120. OHM .25W 5 CF T/R | 2 | R360, R460 |
| A10266-1231 | 12. KOHM .25W 5% CF T/R | 4 | R124, R125, R224, R225 |
| A10266-1321 | 1.3 KOHM .25W 5 CF T/R | 4 | R122, R167, R222, R267 |
| A10266-1521 | 1.5 KOHM .25W 5% CF T/R | 4 | R307, R323, R407, R423 |
| A10266-1531 | 15. KOHM .25W 5% CF T/R | 2 | R341, R441 |
| A10266-1541 | 150. KOHM .25W 5% CF T/R | 2 | R172, R272 |
| A10266-2031 | 20. KOHM .25W 5 CF T/R | 4 | R351, R350, R451, R450 |
| A10266-2051 | 2.0 MOHM .25W 5 CF T/R | 3 | R23, R322, R422 |
| A10266-2201 | 22.0 OHM .25W 5 CF T/R | 6 | R112, R135, R130, R212, R235, R230 |
| A10266-2421 | 2.4 KOHM .25W 5 CF T/R | 2 | R18, R19 |
| A10266-2721 | 2.7 KOHM .25W 5 CF T/R | 8 | R126, R127, R154, R157, R226, R227, R254, R257 |
| A10266-2731 | 27. KOHM .25W 5 CF T/R | 2 | R319, R419 |
| A10266-2741 | 270. KOHM .25W 5% CF25 T/R | 4 | R185, R199, R285, R299 |
| A10266-2751 | 2.7 MOHM .25W 5% CF T/R | 2 | R331, R431 |
| A10266-3021 | 3.0 KOHM .25W 5 CF T/R | 4 | R150, R250, R300, R400 |
| A10266-3321 | 3.3 KOHM .25W 5% CF T/R | 4 | R320, R321, R420, R421 |
| A10266-3921 | 3.9 KOHM .25W 5% CF T/R | 4 | R14, R15, R342, R442 |
| A10266-4701 | 47.0 OHM .25W 5 CF T/R | 6 | R132, R133, R232, R233, R350, R450 |
| A10266-4711 | 470. OHM .25W 5% CF T/R | 20 | R134, R234, R310, R311, R313, R315, R316, R317, R324, R360, R369, R410, R411, R413, R415, R416, R417, R424, R460, R469, |
| A10266-4721 | 4.7 KOHM .25W 5% CF T/R | 6 | R140, R161, R162, R240, R261, R262 |
| A10266-4731 | 47. KOHM .25W 5% CF25 T/R | 14 | R339, R344, R346, R353, R354, R355, R356, R439, R444, R446, R453, R454, R455, R456 |
| A10266-4741 | 470. KOHM .25W 5% CF T/R | 2 | R330, R430 |
| A10266-5111 | 510. OHM .25W 5 CF T/R | 2 | R120, R220 |
| A10266-5121 | 5.1 KOHM .25W 5 CF T/R | 4 | R326, R340, R426, R440 |
| A10266-5601 | 56.0 OHM .25W 5% CF T/R | 4 | R139, R141, R239, R241 |
| A10266-5621 | 5.6 KOHM .25W 5% CF T/R | 2 | R171, R271 |
| A10266-5641 | 560. KOHM .25W 5% CF T/R | 1 | R16 |
| A10266-6831 | 68. KOHM .25W 5% CF T/R | 4 | R128, R129, R228, R229 |
| A10266-7521 | 7.5 KOHM .25W 5% CF T/R | 2 | R327, R427 |
| A10266-8211 | 820. OHM .25W 5% CF T/R | 4 | R136, R137, R236, R237 |
| A10266-8231 | 82. KOHM .25W 5% CF T/R | 2 | R328, R428 |
| A10266-9111 | 910. OHM .25W 5 CF T/R | 1 | R11 |
| A10434-104JD | .1UF 250V 5% MTL POLY FILM T | 2 | C164, C264 |
| A10579-222KC | 2200PF 100 10% POLY FILM T/A | 4 | C175, C176, C275, C276 |

CROWN INTERNATIONAL INC.

1718 WEST MISHAWAKA ROAD ELKHART, INDIANA 46517 PHONE (219) 294-0000

THESE DRAWINGS AND SPECIFICATIONS ARE THE PROPERTY OF CROWN INTERNATIONAL, INC. AND SHALL NOT BE REPRODUCED, COPIED, OR USED AS THE BASIS FOR THE MANUFACTURE OR SALE OF APPARATUS OR DEVICES WITHOUT PERMISSION.

| | | | | | |
|-------|---------|----------|----------|---------------|-----|
| DRAWN | KLW | 11-07-97 | DWG. NO. | SHEET 3 OF 22 | REV |
| PROJ. | MD360D0 | | 125412 | | (D) |

| PARTS LIST | | | |
|------------|------------------------------|-----|--|
| C. P. N. | DESCRIPTION | QTY | REFERENCE DESIGNATION |
| C 2851-1 | RECTIFIER, 1N4004 SILICON T/ | 11 | D1, D129, D132, D2, D229, D232, D3, D4, D5, D6, D7 |
| C 3181-2 | DIODE, 1N4148 T/R | 59 | D10, D100, D101, D102, D103, D104, D105, D106, D107, D108, D109, D11, D111, D112, D115, D116, D118, D119, D12, D121, D122, D123, D124, D125, D127, D13, D130, D131, D133, D134, D135, D200, D201, D202, D203, D204, D205, D206, D207, D208, D209, D211, D212, D215, D216, D218, D219, D221, D222, D223, D224, D225, D227, D230, D231, D233, D234, D235, D9 |
| C 3451-9 | IC SOCKET, 8PIN DIP 2-640463 | 1 | U3X |
| C 3533-4 | DIODE, 1N966B 16V ZENER T/R | 2 | D128, D228 |
| C 3578-9 | MPSA93 200V PNP T/R | 6 | Q104, Q106, Q130, Q204, Q206, Q230 |
| C 3625-8 | 2N4125 30V PNP T/R | 22 | Q100, Q101, Q114, Q116, Q118, Q120, Q122, Q123, Q124, Q125, Q129, Q200, Q201, Q214, Q216, Q218, Q220, Q222, Q223, Q224, Q225, Q229 |
| C 3786-8 | MPS4250A 40V PNP T/R | 8 | Q103, Q108, Q111, Q115, Q203, Q208, Q211, Q215 |
| C 3810-6 | MPSA42 300V NPN T/R | 6 | Q105, Q109, Q127, Q205, Q209, Q227 |
| C 4303-1 | 1000UF 35V AXIAL CAP | 2 | C1, C2 |
| C 4345-2 | LM339N VOLT COMPARATOR | 2 | U107, U207 |
| C 5061-4 | DIODE, 1N3070 10K/T&R | 8 | D110, D113, D114, D117, D210, D213, D214, D217 |
| C 5062-2 | 100KOHM LINEAR TRIMPOT | 4 | R186, R286, R300, R400 |
| C 5082-0 | DIODE, 1N4733A 5.1V ZENER T | 1 | D8 |
| C 5095-2 | MC7815CT +15V. REG | 1 | U1 |
| C 5096-0 | MC7915CT -15V. REG | 1 | U2 |
| C 5215-6 | 22. MOHM .25W 5 THICK FILM T | 4 | R121, R164, R221, R264 |
| C 5311-3 | 22UF 50V 20% NP VERT T/A | 2 | C107, C207 |
| C 5362-6 | 2.2UF 50V VERT ELECT T/A | 3 | C151, C251, C4 |
| C 6048-0 | 500 OHM PIHER TRIM | 2 | R361, R461 |
| C 6411-0 | H11C2 OPTO SCR | 2 | U106, U206 |
| C 6564-6 | 10P DBLROW UNSHRD HDR 87230- | 2 | TP100, TP200 |
| C 6781-6 | 6P3T MONO/STEREO SWITCH | 1 | S2 |
| C 6802-0 | .47UF 50V AXIAL CER T/R 474 | 6 | C141, C145, C152, C241, C245, C252 |
| C 6804-6 | .1UF 50V AXIAL CER T/R 104 | 20 | C134, C135, C136, C137, C138, C139, C144, C160, C161, C234, C235, C236, C237, C238, C239, C244, C267, C268, C3, C5 |

CROWN INTERNATIONAL INC.

1718 WEST MISHAWAKA ROAD ELKHART, INDIANA 46517 PHONE (219) 294-8000

THESE DRAWINGS AND SPECIFICATIONS ARE THE PROPERTY OF CROWN INTERNATIONAL, INC. AND SHALL NOT BE REPRODUCED, COPIED, OR USED AS THE BASIS FOR THE MANUFACTURE OR SALE OF APPARATUS OR DEVICES WITHOUT PERMISSION.

| | | | | | |
|-------|---------|----------|----------|---------------|-----|
| DRAWN | KLW | 11-07-97 | DWG. NO. | SHEET 4 OF 22 | REV |
| PROJ. | MD36000 | | 125412 | | (D) |

| PARTS LIST | | | |
|------------|-------------------------------|-----|--|
| C. P. N. | DESCRIPTION | QTY | REFERENCE DESIGNATION |
| C 6805-3 | .022UF 100V AXIALCER T/R 223 | 8 | C103, C104, C115, C116, C215, C216, C265, C266 |
| C 6806-1 | .01UF 100V AXIAL CER T/R 103 | 6 | C117, C124, C131, C217, C224, C231 |
| C 6808-7 | 470. PF 100V 5% NPO AXL CER T | 2 | C120, C220 |
| C 6810-3 | 180PF 100V AXIAL CER T/R 181 | 2 | C121, C221 |
| C 6811-1 | 100PF 200V 10% NPO AXL CER T | 14 | C126, C158, C159, C162, C163, C173, C174, C226, C258, C259, C262, C263, C273, C274 |
| C 6812-9 | 47PF 200V 10% NPO AXL CER | 16 | C106, C110, C111, C112, C113, C114, C128, C133, C206, C210, C211, C212, C213, C214, C228, C233 |
| C 6813-7 | 27PF 200V 10% NPO AXIAL CER | 8 | C100, C101, C102, C130, C200, C201, C202, C230 |
| C 6814-5 | 12PF 200V AXIAL CER T/R 120 | 6 | C118, C119, C129, C218, C219, C229 |
| C 6950-7 | 82PF 200V 5% NPO AXIAL CER T | 2 | C127, C227 |
| C 7417-6 | 3300PF 100V 10% CAP | 4 | C122, C123, C222, C223 |
| C 7444-0 | LM393 DUAL COMPARATOR | 2 | U101, U201 |
| C 7458-0 | 2N4123 30V NPN T/R | 16 | Q107, Q110, Q113, Q117, Q119, Q121, Q126, Q128, Q207, Q210, Q213, Q217, Q219, Q221, Q226, Q228 |
| C 7526-4 | 3POS .1 CENTER MTA HEADER | 1 | J1 |
| C 7597-5 | J202 N-CHANNEL JFET | 2 | Q131, Q231 |
| C 7636-1 | MC33078P DUAL LOW NOISE OP A | 3 | U109, U209, U4 |
| C 7779-9 | 22. OHM .25W 5% FU/FP T/R | 8 | R309, R312, R314, R318, R409, R412, R414, R418 |
| C 7960-5 | DPDT 3POS PC SLIDE SWITCH | 1 | S1 |
| C 8182-5 | 1N753A 6.2V .5W ZENER DIODE | 2 | D120, D220 |
| C 8576-8 | 100UF 35V 10% ALUM ELECT T/A | 6 | C105, C149, C150, C205, C249, C250 |
| C 8803-6 | .047UF 50V 10%X7R AXL CER T/ | 4 | C141, C145, C241, C245 |
| C 8812-7 | 5.5" CABLE TIE | 4 | HW10, HW7, HW8, HW9 |
| C 8836-6 | 100 OHM 0.50W 5% FU/FP T/R | 4 | R152, R155, R252, R255 |
| C 8897-8 | .1UF 100V 20% Z5U RAD CER T/ | 11 | C10, C109, C125, C132, C153, C209, C225, C232, C253, C6, C9 |
| C 9079-2 | 200.OHM TOP ADJ CERMET TRIMM | 2 | R103, R203 |
| C 9464-6 | 10PF 100V 5% NPO RAD CER T/R | 2 | C108, C208 |
| C 9494-3 | HEATSINK, T0220 PLUG IN | 2 | U1X, U2X |
| C 9615-3 | 680PF 100V 5% AXL CER NPO T/ | 1 | C8 |
| C 9857-1 | LED, RED T1 .1 LEAD SPACE T/ | 4 | E100, E101, E200, E201 |
| C10208-4 | 100.UF 25V 20% RAD ELECT T/R | 5 | C171, C172, C271, C272, C7. |
| C10570-7 | 20 PIN HDR PICO FLEX TIN | 1 | J2A |

| | | | |
|---------------------------------|---------|------------------------|----------------|
| CROWN INTERNATIONAL INC. | | | |
| 1718 WEST MISHAWAKA ROAD | | ELKHART, INDIANA 46517 | |
| PHONE (219) 294-8000 | | | |
| DRAWN | KLW | 11-07-97 | DWG. NO. |
| PROJ. | MD360D0 | 125412 | |
| | | | SHEET 5 OF 22 |
| | | | REV (D) |

THESE DRAWINGS AND SPECIFICATIONS ARE THE PROPERTY OF CROWN INTERNATIONAL, INC. AND SHALL NOT BE REPRODUCED, COPIED, OR USED AS THE BASIS FOR THE MANUFACTURE OR SALE OF APPARATUS OR DEVICES WITHOUT PERMISSION.

PARTS LIST

| C.P.N. | DESCRIPTION | QTY | REFERENCE DESIGNATION |
|----------|------------------------------|-----|-----------------------|
| C10571-5 | 18 PIN HDR PICO FLEX TIN | 1 | J2B |
| C10587-1 | 220UF 25V 20% NP RAD ELEC | 4 | C143,C148,C243,C248 |
| C10588-9 | 15UF 35V 20% NP RAD ELECT T/ | 4 | C142,C147,C242,C247 |
| D 2961-7 | SPS8010 60V NPN T/R | 2 | Q102,Q202 |
| D 2962-5 | MPSA18 45V NPN T/R | 2 | Q112,Q212 |
| D 6082-8 | RESISTOR NETWORK-C | 2 | N100,N200 |
| D 8680-7 | CABLE, 6 INCH 12 PIN MTA | 2 | J701,J800 |
| D 8681-5 | CABLE, 10 INCH 12 PIN MTA | 2 | J700,J801 |
| 100375-1 | HDR, 14PIN, VERT, DOUBLE | 1 | J901X |
| 101374-1 | 2SA1349 DUAL PNP 80V SIP | 2 | U102A,U202A |
| 101375-1 | 2SC3381 DUAL NPN 80V SIP | 2 | U104A,U204A |
| 101651-1 | MC33079N QUAD OP AMP SGS ONL | 4 | U100,U103,U200,U203 |
| 102754-1 | CD4060 14 STAGE BIN CNTR/OSC | 1 | U5 |
| 125414-3 | PWB, CT'10A MAIN. . . | 1 | 1 |
| 125931-1 | POT, 5KOHM 10% LNR 21 DNT | 2 | R107,R207 |
| | | | |
| | | | |
| | | | |
| | | | |
| | | | |
| | | | |
| | | | |
| | | | |
| | | | |
| | | | |
| | | | |
| | | | |
| | | | |
| | | | |
| | | | |
| | | | |
| | | | |
| | | | |
| | | | |
| | | | |
| | | | |
| | | | |
| | | | |
| | | | |
| | | | |
| | | | |
| | | | |
| | | | |
| | | | |
| | | | |
| | | | |
| | | | |
| | | | |
| | | | |
| | | | |
| | | | |
| | | | |
| | | | |
| | | | |
| | | | |

CROWN INTERNATIONAL INC.

1718 WEST MISHAWAKA ROAD ELKHART, INDIANA 46517 PHONE (219) 294-8000

| | | | | | |
|-------|---------|----------|----------|---------------|-----|
| DRAWN | KLW | 11-07-97 | DWG. NO. | SHEET 6 OF 22 | REV |
| PROJ. | MD360D0 | | 125412 | | (D) |

THESE DRAWINGS AND SPECIFICATIONS ARE THE PROPERTY OF CROWN INTERNATIONAL, INC. AND SHALL NOT BE REPRODUCED, COPIED, OR USED AS THE BASIS FOR THE MANUFACTURE OR SALE OF APPARATUS OR DEVICES WITHOUT PERMISSION.

PARTS LIST

| REF DES | C. P. N. | DESCRIPTION | MAP LOC. |
|---------|----------|--------------------------------|----------|
| 1 | 125414-3 | PWB, CT'10A MAIN, . . . | |
| C1 | C 4303-1 | 1000UF 35V AXIAL CAP | H 4 |
| C2 | C 4303-1 | 1000UF 35V AXIAL CAP | I 4 |
| C3 | C 6804-6 | .1UF 50V AXIAL CER T/R 104 | J 5 |
| C4 | C 5362-6 | 2.2UF 50V VERT ELECT T/A | J 5 |
| C5 | C 6804-6 | .1UF 50V AXIAL CER T/R 104 | I 2 |
| C6 | C 8897-8 | .1UF 100V 20% Z5U RAD CER T/R | E 1 |
| C7 | C10208-4 | 100.UF 25V 20% RAD ELECT T/R | G 5 |
| C8 | C 9615-3 | 680PF 100V 5% AXL CER NPO T/R | E 6 |
| C9 | C 8897-8 | .1UF 100V 20% Z5U RAD CER T/R | I 6 |
| C10 | C 8897-8 | .1UF 100V 20% Z5U RAD CER T/R | H 5 |
| C100 | C 6813-7 | 27PF 200V 10% NPO AXIAL CER | J 3 |
| C101 | C 6813-7 | 27PF 200V 10% NPO AXIAL CER | J 2 |
| C102 | C 6813-7 | 27PF 200V 10% NPO AXIAL CER | J 2 |
| C103 | C 6805-3 | .022UF 100V AXIALCER T/R 223 | J 2 |
| C104 | C 6805-3 | .022UF 100V AXIALCER T/R 223 | K 3 |
| C105 | C 8576-8 | 100UF 35V 10% ALUM ELECT T/A | I 1 |
| C106 | C 6812-9 | 47PF 200V 10% NPO AXL CER | J 2 |
| C107 | C 5311-3 | 22UF 50V 20% NP VERT T/A | K 1 |
| C108 | C 9464-6 | 10PF 100V 5% NPO RAD CER T/R | K 2 |
| C109 | C 8897-8 | .1UF 100V 20% Z5U RAD CER T/R | J 2 |
| C110 | C 6812-9 | 47PF 200V 10% NPO AXL CER | K 2 |
| C111 | C 6812-9 | 47PF 200V 10% NPO AXL CER | L 3 |
| C112 | C 6812-9 | 47PF 200V 10% NPO AXL CER | L 2 |
| C113 | C 6812-9 | 47PF 200V 10% NPO AXL CER | L 3 |
| C114 | C 6812-9 | 47PF 200V 10% NPO AXL CER | L 3 |
| C115 | C 6805-3 | .022UF 100V AXIALCER T/R 223 | L 3 |
| C116 | C 6805-3 | .022UF 100V AXIALCER T/R 223 | L 2 |
| C117 | C 6806-1 | .01UF 100V AXIAL CER T/R 103 | M 3 |
| C118 | C 6814-5 | 12PF 200V AXIAL CER T/R 120 | M 2 |
| C119 | C 6814-5 | 12PF 200V AXIAL CER T/R 120 | M 3 |
| C120 | C 6808-7 | 470.PF 100V 5% NPO AXL CER T/R | P 5 |
| C121 | C 6810-3 | 180PF 100V AXIAL CER T/R 181 | M 4 |
| C122 | C 7417-6 | 3300PF 100V 10% CAP | P 5 |
| C123 | C 7417-6 | 3300PF 100V 10% CAP | O 5 |
| C124 | C 6806-1 | .01UF 100V AXIAL CER T/R 103 | K 4 |
| C125 | C 8897-8 | .1UF 100V 20% Z5U RAD CER T/R | K 4 |
| C126 | C 6811-1 | 100PF 200V 10% NPO AXL CER T/R | K 4 |
| C127 | C 6950-7 | 82PF 200V 5% NPO AXIAL CER T/R | K 4 |
| C128 | C 6812-9 | 47PF 200V 10% NPO AXL CER | K 3 |
| C129 | C 6814-5 | 12PF 200V AXIAL CER T/R 120 | K 3 |
| C130 | C 6813-7 | 27PF 200V 10% NPO AXL CER | K 3 |
| C131 | C 6806-1 | .01UF 100V AXIAL CER T/R 103 | K 3 |
| C132 | C 8897-8 | .1UF 100V 20% Z5U RAD CER T/R | K 3 |
| C133 | C 6812-9 | 47PF 200V 10% NPO AXL CER | K 3 |
| C134 | C 6804-6 | .1UF 50V AXIAL CER T/R 104 | P 3 |
| C135 | C 6804-6 | .1UF 50V AXIAL CER T/R 104 | O 3 |
| | | | |
| | | | |
| | | | |

CROWN INTERNATIONAL INC.

1718 WEST MISHAWAKA ROAD ELKHART, INDIANA 46517 PHONE (219) 294-8888

THESE DRAWINGS AND SPECIFICATIONS ARE THE PROPERTY OF CROWN INTERNATIONAL, INC. AND SHALL NOT BE REPRODUCED, COPIED, OR USED AS THE BASIS FOR THE MANUFACTURE OR SALE OF APPARATUS OR DEVICES WITHOUT PERMISSION.

DRAWN

KLW

11-07-97

DWG. NO.

SHEET 7 OF 22

REV

PROJ.

MD36000

125412

PARTS LIST

| REF DES | C. P. N. | DESCRIPTION | MAP LOC. |
|---------|--------------|--------------------------------|----------|
| C136 | C 6804-6 | .1UF 50V AXIAL CER T/R 104 | O 2 |
| C137 | C 6804-6 | .1UF 50V AXIAL CER T/R 104 | P 2 |
| C138 | C 6804-6 | .1UF 50V AXIAL CER T/R 104 | O 4 |
| C139 | C 6804-6 | .1UF 50V AXIAL CER T/R 104 | P 4 |
| C140 | | --- OPEN --- | O 4 |
| C141 | C 6802-0 | .47UF 50V AXIAL CER T/R 474 | O 4 |
| C142 | C10588-9 | 15UF 35V 20% NP RAD ELECT T/R | N 4 |
| C143 | C10587-1 | 220UF 25V 20% NP RAD ELECT T/R | N 5 |
| C144 | C 6804-6 | .1UF 50V AXIAL CER T/R 104 | P 3 |
| C145 | C 6802-0 | .47UF 50V AXIAL CER T/R 474 | P 4 |
| C146 | | --- OPEN --- | P 4 |
| C147 | C10588-9 | 15UF 35V 20% NP RAD ELECT T/R | P 4 |
| C148 | C10587-1 | 220UF 25V 20% NP RAD ELEC T/R | P 5 |
| C149 | C 8576-8 | 100UF 35V 10% ALUM ELECT T/A | M 5 |
| C150 | C 8576-8 | 100UF 35V 10% ALUM ELECT T/A | M 4 |
| C151 | C 5362-6 | 2.2UF 50V VERT ELECT T/A | L 5 |
| C152 | C 6802-0 | .47UF 50V AXIAL CER T/R 474 | L 5 |
| C153 | C 8897-8 | .1UF 100V 20% Z5U RAD CER T/R | K 5 |
| C158 | C 6811-1 | 100PF 200V 10% NPO AXL CER T/R | N 4 |
| C159 | C 6811-1 | 100PF 200V 10% NPO AXL CER T/R | N 3 |
| C160 | C 6804-6 | .1UF 50V AXIAL CER T/R 104 | N 4 |
| C161 | C 6804-6 | .1UF 50V AXIAL CER T/R 104 | N 3 |
| C162 | C 6811-1 | 100PF 200V 10% NPO AXL CER T/R | I 4 |
| C163 | C 6811-1 | 100PF 200V 10% NPO AXL CER T/R | I 4 |
| C164 | A10434-104JD | .1UF 250V 5% MTL POLY FILM T/A | O 6 |
| C171 | C10208-4 | 100.UF 25V 20% RAD ELECT T/R | J 1 |
| C172 | C10208-4 | 100.UF 25V 20% RAD ELECT T/R | J 1 |
| C173 | C 6811-1 | 100PF 200V 10% NPO AXL CER T/R | N 3 |
| C174 | C 6811-1 | 100PF 200V 10% NPO AXL CER T/R | N 3 |
| C175 | A10579-222KC | 2200PF 100 10% POLY FILM T/A | N 2 |
| C176 | A10579-222KC | 2200PF 100 10% POLY FILM T/A | P 2 |
| C200 | C 6813-7 | 27PF 200V 10% NPO AXIAL CER | G 3 |
| C201 | C 6813-7 | 27PF 200V 10% NPO AXIAL CER | G 2 |
| C202 | C 6813-7 | 27PF 200V 10% NPO AXIAL CER | G 2 |
| C205 | C 8576-8 | 100UF 35V 10% ALUM ELECT T/A | H 1 |
| C206 | C 6812-9 | 47PF 200V 10% NPO AXL CER | G 2 |
| C207 | C 5311-3 | 22UF 50V 20% NP VERT T/A | F 1 |
| C208 | C 9464-6 | 10PF 100V 5% NPO RAD CER T/R | F 2 |
| C209 | C 8897-8 | .1UF 100V 20% Z5U RAD CER T/R | G 2 |
| C210 | C 6812-9 | 47PF 200V 10% NPO AXL CER | F 2 |
| C211 | C 6812-9 | 47PF 200V 10% NPO AXL CER | E 3 |
| C212 | C 6812-9 | 47PF 200V 10% NPO AXL CER | E 2 |
| C213 | C 6812-9 | 47PF 200V 10% NPO AXL CER | E 3 |
| C214 | C 6812-9 | 47PF 200V 10% NPO AXL CER | E 3 |
| C215 | C 6805-3 | .022UF 100V AXIALCER T/R 223 | E 3 |
| C216 | C 6805-3 | .022UF 100V AXIALCER T/R 223 | E 2 |
| C217 | C 6806-1 | .01UF 100V AXIAL CER T/R 103 | D 3 |
| C218 | C 6814-5 | 12PF 200V AXIAL CER T/R 120 | D 2 |
| C219 | C 6814-5 | 12PF 200V AXIAL CER T/R 120 | D 3 |

CROWN INTERNATIONAL INC.

1718 WEST MISHAWAKA ROAD ELKHART, INDIANA 46517 PHONE (219) 294-8888

DRAWN KLV 11-07-97 DWG. NO.

SHEET 8 OF 22 REV

PROJ. MD360D0

125412



THESE DRAWINGS AND SPECIFICATIONS ARE THE PROPERTY OF CROWN INTERNATIONAL, INC. AND SHALL NOT BE REPRODUCED, COPIED, OR USED AS THE BASIS FOR THE MANUFACTURE OR SALE OF APPARATUS OR DEVICES WITHOUT PERMISSION.

PARTS LIST

| REF DES | C. P. N. | DESCRIPTION | MAP LOC. |
|---------|--------------|--------------------------------|----------|
| C220 | C 6808-7 | 470.PF 100V 5% NPO AXL CER T/R | A 5 |
| C221 | C 6810-3 | 180PF 100V AXIAL CER T/R 181 | D 4 |
| C222 | C 7417-6 | 3300PF 100V 10% CAP | A 5 |
| C223 | C 7417-6 | 3300PF 100V 10% CAP | B 5 |
| C224 | C 6806-1 | .01UF 100V AXIAL CER T/R 103 | F 4 |
| C225 | C 8897-8 | .1UF 100V 20% Z5U RAD CER T/R | F 4 |
| C226 | C 6811-1 | 100PF 200V 10% NPO AXL CER T/R | F 4 |
| C227 | C 6950-7 | 82PF 200V 5% NPO AXIAL CER T/R | F 4 |
| C228 | C 6812-9 | 47PF 200V 10% NPO AXL CER | F 3 |
| C229 | C 6814-5 | 12PF 200V AXIAL CER T/R 120 | F 3 |
| C230 | C 6813-7 | 27PF 200V 10% NPO AXL CER | F 3 |
| C231 | C 6806-1 | .01UF 100V AXIAL CER T/R 103 | F 3 |
| C232 | C 8897-8 | .1UF 100V 20% Z5U RAD CER T/R | F 3 |
| C233 | C 6812-9 | 47PF 200V 10% NPO AXL CER | F 3 |
| C234 | C 6804-6 | .1UF 50V AXIAL CER T/R 104 | B 3 |
| C235 | C 6804-6 | .1UF 50V AXIAL CER T/R 104 | A 3 |
| C236 | C 6804-6 | .1UF 50V AXIAL CER T/R 104 | A 2 |
| C237 | C 6804-6 | .1UF 50V AXIAL CER T/R 104 | B 2 |
| C238 | C 6804-6 | .1UF 50V AXIAL CER T/R 104 | A 4 |
| C239 | C 6804-6 | .1UF 50V AXIAL CER T/R 104 | B 4 |
| C240 | | --- OPEN --- | A 4 |
| C241 | C 6802-0 | .47UF 50V AXIAL CER T/R 474 | A 4 |
| C242 | C10588-9 | 15UF 35V 20% NP RAD ELECT T/R | A 4 |
| C243 | C10587-1 | 220UF 25V 20% NP RAD ELEC T/R | A 4 |
| C244 | C 6804-6 | .1UF 50V AXIAL CER T/R 104 | B 3 |
| C245 | C 6802-0 | .47UF 50V AXIAL CER T/R 474 | B 4 |
| C246 | | --- OPEN --- | B 4 |
| C247 | C10588-9 | 15UF 35V 20% NP RAD ELECT T/R | C 4 |
| C248 | C10587-1 | 220UF 25V 20% NP RAD ELEC T/R | C 5 |
| C249 | C 8576-8 | 100UF 35V 10% ALUM ELECT T/A | D 5 |
| C250 | C 8576-8 | 100UF 35V 10% ALUM ELECT T/A | D 4 |
| C251 | C 5362-6 | 2.2UF 50V VERT ELECT T/A | E 5 |
| C252 | C 6802-0 | .47UF 50V AXIAL CER T/R 474 | E 5 |
| C253 | C 8897-8 | .1UF 100V 20% Z5U RAD CER T/R | F 5 |
| C258 | C 6811-1 | 100PF 200V 10% NPO AXL CER T/R | C 4 |
| C259 | C 6811-1 | 100PF 200V 10% NPO AXL CER T/R | C 3 |
| C262 | C 6811-1 | 100PF 200V 10% NPO AXL CER T/R | H 4 |
| C263 | C 6811-1 | 100PF 200V 10% NPO AXL CER T/R | H 4 |
| C264 | A10434-104JD | .1UF 250V 5% MTL POLY FILM T/A | B 6 |
| C265 | C 6805-3 | .022UF 100V AXIALCER T/R 223 | F 3 |
| C266 | C 6805-3 | .022UF 100V AXIALCER T/R 223 | G 2 |
| C267 | C 6804-6 | .1UF 50V AXIAL CER T/R 104 | C 3 |
| C268 | C 6804-6 | .1UF 50V AXIAL CER T/R 104 | C 3 |
| C271 | C10208-4 | 100.UF 25V 20% RAD ELECT T/R | G 1 |
| C272 | C10208-4 | 100.UF 25V 20% RAD ELECT T/R | G 1 |
| C273 | C 6811-1 | 100PF 200V 10% NPO AXL CER T/R | C 3 |
| C274 | C 6811-1 | 100PF 200V 10% NPO AXL CER T/R | C 2 |
| C275 | A10579-222KC | 2200PF 100 10% POLY FILM T/A | A 2 |
| C276 | A10579-222KC | 2200PF 100 10% POLY FILM T/A | B 2 |

CROWN INTERNATIONAL INC.

1718 WEST MISHAWAKA ROAD ELKHART, INDIANA 46517 PHONE (219) 294-8000

THESE DRAWINGS AND SPECIFICATIONS ARE THE PROPERTY OF CROWN INTERNATIONAL, INC. AND SHALL NOT BE REPRODUCED, COPIED, OR USED AS THE BASIS FOR THE MANUFACTURE OR SALE OF APPARATUS OR DEVICES WITHOUT PERMISSION.

DRAWN

KLW

11-07-97

DWG. NO.

SHEET 9 OF 22

REV

PROJ.

MD360D0

125412

PARTS LIST

| REF DES | C. P. N. | DESCRIPTION | MAP LOC. |
|---------|----------|-------------------------------|----------|
| D1 | C 2851-1 | RECTIFIER, 1N4004 SILICON T/R | G 4 |
| D2 | C 2851-1 | RECTIFIER, 1N4004 SILICON T/R | G 5 |
| D3 | C 2851-1 | RECTIFIER, 1N4004 SILICON T/R | G 4 |
| D4 | C 2851-1 | RECTIFIER, 1N4004 SILICON T/R | G 5 |
| D5 | C 2851-1 | RECTIFIER, 1N4004 SILICON T/R | J 4 |
| D6 | C 2851-1 | RECTIFIER, 1N4004 SILICON T/R | J 4 |
| D7 | C 2851-1 | RECTIFIER, 1N4004 SILICON T/R | J 5 |
| D8 | C 5082-0 | DIODE, 1N4733A 5.1V ZENER T/R | I 2 |
| D9 | C 3181-2 | DIODE, 1N4148 T/R | H 6 |
| D10 | C 3181-2 | DIODE, 1N4148 T/R | H 6 |
| D11 | C 3181-2 | DIODE, 1N4148 T/R | H 6 |
| D12 | C 3181-2 | DIODE, 1N4148 T/R | H 6 |
| D13 | C 3181-2 | DIODE, 1N4148 T/R | I 6 |
| D100 | C 3181-2 | DIODE, 1N4148 T/R | K 2 |
| D101 | C 3181-2 | DIODE, 1N4148 T/R | K 2 |
| D102 | C 3181-2 | DIODE, 1N4148 T/R | L 3 |
| D103 | C 3181-2 | DIODE, 1N4148 T/R | L 2 |
| D104 | C 3181-2 | DIODE, 1N4148 T/R | M 3 |
| D105 | C 3181-2 | DIODE, 1N4148 T/R | M 3 |
| D106 | C 3181-2 | DIODE, 1N4148 T/R | M 3 |
| D107 | C 3181-2 | DIODE, 1N4148 T/R | M 3 |
| D108 | C 3181-2 | DIODE, 1N4148 T/R | M 2 |
| D109 | C 3181-2 | DIODE, 1N4148 T/R | M 2 |
| D110 | C 5061-4 | DIODE, 1N3070 10K/T&R | M 2 |
| D111 | C 3181-2 | DIODE, 1N4148 T/R | O 5 |
| D112 | C 3181-2 | DIODE, 1N4148 T/R | P 5 |
| D113 | C 5061-4 | DIODE, 1N3070 10K/T&R | M 3 |
| D114 | C 5061-4 | DIODE, 1N3070 10K/T&R | K 4 |
| D115 | C 3181-2 | DIODE, 1N4148 T/R | K 4 |
| D116 | C 3181-2 | DIODE, 1N4148 T/R | K 3 |
| D117 | C 5061-4 | DIODE, 1N3070 10K/T&R | K 3 |
| D118 | C 3181-2 | DIODE, 1N4148 T/R | J 3 |
| D119 | C 3181-2 | DIODE, 1N4148 T/R | J 3 |
| D120 | C 8182-5 | 1N753A 6.2V .5W ZENER DIODE | O 3 |
| D121 | C 3181-2 | DIODE, 1N4148 T/R | L 5 |
| D122 | C 3181-2 | DIODE, 1N4148 T/R | L 5 |
| D123 | C 3181-2 | DIODE, 1N4148 T/R | L 6 |
| D124 | C 3181-2 | DIODE, 1N4148 T/R | L 6 |
| D125 | C 3181-2 | DIODE, 1N4148 T/R | L 6 |
| D127 | C 3181-2 | DIODE, 1N4148 T/R | L 6 |
| D128 | C 3533-4 | DIODE, 1N966B 16V ZENER T/R | L 5 |
| D129 | C 2851-1 | RECTIFIER, 1N4004 SILICON T/R | L 5 |
| D130 | C 3181-2 | DIODE, 1N4148 T/R | K 4 |
| D131 | C 3181-2 | DIODE, 1N4148 T/R | K 3 |
| D132 | C 2851-1 | RECTIFIER, 1N4004 SILICON T/R | L 5 |
| D133 | C 3181-2 | DIODE, 1N4148 T/R | J 1 |
| D134 | C 3181-2 | DIODE, 1N4148 T/R | J 2 |
| D135 | C 3181-2 | DIODE, 1N4148 T/R | K 5 |
| | | | |
| | | | |

CROWN INTERNATIONAL INC.

1718 WEST MISHAWAKA ROAD ELKHART, INDIANA 46517 PHONE (219) 294-8000

THESE DRAWINGS AND SPECIFICATIONS ARE THE PROPERTY OF CROWN INTERNATIONAL, INC. AND SHALL NOT BE REPRODUCED, COPIED, OR USED AS THE BASIS FOR THE MANUFACTURE OR SALE OF APPARATUS OR DEVICES WITHOUT PERMISSION.

| | | | |
|-------|---------|----------|----------|
| DRAWN | KLW | 11-07-97 | DWG. NO. |
| PROJ. | MD360D0 | | |

SHEET 10 OF 22

125412

REV


PARTS LIST

| REF DES | C. P. N. | DESCRIPTION | MAP LOC. |
|---------|----------|-------------------------------|----------|
| D200 | C 3181-2 | DIODE, 1N4148 T/R | F 2 |
| D201 | C 3181-2 | DIODE, 1N4148 T/R | F 2 |
| D202 | C 3181-2 | DIODE, 1N4148 T/R | E 3 |
| D203 | C 3181-2 | DIODE, 1N4148 T/R | E 2 |
| D204 | C 3181-2 | DIODE, 1N4148 T/R | D 3 |
| D205 | C 3181-2 | DIODE, 1N4148 T/R | D 3 |
| D206 | C 3181-2 | DIODE, 1N4148 T/R | D 3 |
| D207 | C 3181-2 | DIODE, 1N4148 T/R | D 3 |
| D208 | C 3181-2 | DIODE, 1N4148 T/R | D 2 |
| D209 | C 3181-2 | DIODE, 1N4148 T/R | D 2 |
| D210 | C 5061-4 | DIODE, 1N3070 10K/T&R | D 2 |
| D211 | C 3181-2 | DIODE, 1N4148 T/R | B 5 |
| D212 | C 3181-2 | DIODE, 1N4148 T/R | A 5 |
| D213 | C 5061-4 | DIODE, 1N3070 10K/T&R | D 3 |
| D214 | C 5061-4 | DIODE, 1N3070 10K/T&R | F 4 |
| D215 | C 3181-2 | DIODE, 1N4148 T/R | F 4 |
| D216 | C 3181-2 | DIODE, 1N4148 T/R | F 3 |
| D217 | C 5061-4 | DIODE, 1N3070 10K/T&R | F 3 |
| D218 | C 3181-2 | DIODE, 1N4148 T/R | G 3 |
| D219 | C 3181-2 | DIODE, 1N4148 T/R | G 3 |
| D220 | C 8182-5 | 1N753A 6.2V .5W ZENER DIODE | A 3 |
| D221 | C 3181-2 | DIODE, 1N4148 T/R | E 5 |
| D222 | C 3181-2 | DIODE, 1N4148 T/R | E 5 |
| D223 | C 3181-2 | DIODE, 1N4148 T/R | E 6 |
| D224 | C 3181-2 | DIODE, 1N4148 T/R | E 6 |
| D225 | C 3181-2 | DIODE, 1N4148 T/R | E 6 |
| D227 | C 3181-2 | DIODE, 1N4148 T/R | E 6 |
| D228 | C 3533-4 | DIODE, 1N966B 16V ZENER T/R | E 5 |
| D229 | C 2851-1 | RECTIFIER, 1N4004 SILICON T/R | E 5 |
| D230 | C 3181-2 | DIODE, 1N4148 T/R | F 4 |
| D231 | C 3181-2 | DIODE, 1N4148 T/R | F 3 |
| D232 | C 2851-1 | RECTIFIER, 1N4004 SILICON T/R | E 5 |
| D233 | C 3181-2 | DIODE, 1N4148 T/R | G 1 |
| D234 | C 3181-2 | DIODE, 1N4148 T/R | G 2 |
| D235 | C 3181-2 | DIODE, 1N4148 T/R | G 6 |
| E100 | C 9857-1 | LED, RED T1 .1 LEAD SPACE T/R | M 5 |
| E101 | C 9857-1 | LED, RED T1 .1 LEAD SPACE T/R | M 5 |
| E200 | C 9857-1 | LED, RED T1 .1 LEAD SPACE T/R | D 5 |
| E201 | C 9857-1 | LED, RED T1 .1 LEAD SPACE T/R | D 5 |
| HW7 | C 8812-7 | 5.5" CABLE TIE | A 6 |
| HW8 | C 8812-7 | 5.5" CABLE TIE | C 6 |
| | | | |
| | | | |
| | | | |
| | | | |
| | | | |
| | | | |
| | | | |
| | | | |
| | | | |
| | | | |
| | | | |
| | | | |
| | | | |
| | | | |
| | | | |
| | | | |
| | | | |
| | | | |
| | | | |
| | | | |
| | | | |
| | | | |
| | | | |
| | | | |

CROWN INTERNATIONAL INC.

1718 WEST MISHAWAKA ROAD ELKHART, INDIANA 46517 PHONE (219) 294-8888

THESE DRAWINGS AND SPECIFICATIONS ARE THE PROPERTY OF CROWN INTERNATIONAL, INC. AND SHALL NOT BE REPRODUCED, COPIED, OR USED AS THE BASIS FOR THE MANUFACTURE OR SALE OF APPARATUS OR DEVICES WITHOUT PERMISSION.

| | | | | | |
|-------|---------|----------|----------|----------------|------------|
| DRAWN | KLW | 11-07-97 | DWG. NO. | SHEET 11 OF 22 | REV |
| PROJ. | MD360D0 | | 125412 | | (D) |

PARTS LIST

| REF DES | C. P. N. | DESCRIPTION | MAP LOC. |
|---------|----------|---------------------------|----------|
| HW9 | C 8812-7 | 5.5" CABLE TIE | N 6 |
| HW10 | C 8812-7 | 5.5" CABLE TIE | P 6 |
| J1 | C 7526-4 | 3POS .1 CENTER MTA HEADER | I 6 |
| J2A | C10570-7 | 20 PIN HDR PICOFLEX TIN | I 3 |
| J2B | C10571-5 | 18 PIN HDR PICOFLEX TIN | I 2 |
| J700 | D 8681-5 | CABLE, 10 INCH 12 PIN MTA | P 6 |
| J701 | D 8680-7 | CABLE, 6 INCH 12 PIN MTA | N 6 |
| J800 | D 8680-7 | CABLE, 6 INCH 12 PIN MTA | B 6 |
| J801 | D 8681-5 | CABLE, 10 INCH 12 PIN MTA | A 6 |
| J901X | 100375-1 | HDR, .14PIN. | H 4 |
| N100 | D 6082-8 | RESISTOR NETWORK-C | L 3 |
| N200 | D 6082-8 | RESISTOR NETWORK-C | E 3 |
| Q100 | C 3625-8 | 2N4125 30V PNP T/R | K 2 |
| Q101 | C 3625-8 | 2N4125 30V PNP T/R | K 2 |
| Q102 | D 2961-7 | SPS8010 60V NPN T/R | M 4 |
| Q103 | C 3786-8 | MPS4250A 40V PNP T/R | M 2 |
| Q104 | C 3578-9 | MPSA93 200V PNP T/R | M 3 |
| Q105 | C 3810-6 | MPSA42 300V NPN T/R | M 2 |
| Q106 | C 3578-9 | MPSA93 200V PNP T/R | M 2 |
| Q107 | C 7458-0 | 2N4123 30V NPN T/R | O 5 |
| Q108 | C 3786-8 | MPS4250A 40V PNP T/R | O 5 |
| Q109 | C 3810-6 | MPSA42 300V NPN T/R | M 4 |
| Q110 | C 7458-0 | 2N4123 30V NPN T/R | O 5 |
| Q111 | C 3786-8 | MPS4250A 40V PNP T/R | O 5 |
| Q112 | D 2962-5 | MPSA18 45V NPN T/R | K 4 |
| Q113 | C 7458-0 | 2N4123 30V NPN T/R | J 4 |
| Q114 | C 3625-8 | 2N4125 30V PNP T/R | J 3 |
| Q115 | C 3786-8 | MPS4250A 40V PNP T/R | K 3 |
| Q116 | C 3625-8 | 2N4125 30V PNP T/R | O 1 |
| Q117 | C 7458-0 | 2N4123 30V NPN T/R | O 1 |
| Q118 | C 3625-8 | 2N4125 30V PNP T/R | M 5 |
| Q119 | C 7458-0 | 2N4123 30V NPN T/R | M 5 |
| Q120 | C 3625-8 | 2N4125 30V PNP T/R | M 4 |
| Q121 | C 7458-0 | 2N4123 30V NPN T/R | M 4 |
| Q122 | C 3625-8 | 2N4125 30V PNP T/R | M 4 |
| Q123 | C 3625-8 | 2N4125 30V PNP T/R | M 5 |
| Q124 | C 3625-8 | 2N4125 30V PNP T/R | M 4 |
| Q125 | C 3625-8 | 2N4125 30V PNP T/R | M 4 |
| Q126 | C 7458-0 | 2N4123 30V NPN T/R | L 4 |
| Q127 | C 3810-6 | MPSA42 300V NPN T/R | K 4 |
| Q128 | C 7458-0 | 2N4123 30V NPN T/R | M 4 |
| Q129 | C 3625-8 | 2N4125 30V PNP T/R | M 4 |
| Q130 | C 3578-9 | MPSA93 200V PNP T/R | L 4 |
| Q131 | C 7597-5 | J202 N-CHANNEL JFET | J 6 |
| Q200 | C 3625-8 | 2N4125 30V PNP T/R | F 2 |
| Q201 | C 3625-8 | 2N4125 30V PNP T/R | F 2 |
| Q202 | D 2961-7 | SPS8010 60V NPN T/R | D 4 |
| | | | |
| | | | |
| | | | |

CROWN INTERNATIONAL INC.

1718 WEST MISHAWAKA ROAD ELKHART, INDIANA 46517 PHONE (219) 294-8000

THESE DRAWINGS AND SPECIFICATIONS ARE THE PROPERTY OF CROWN INTERNATIONAL, INC. AND SHALL NOT BE REPRODUCED, COPIED, OR USED AS THE BASIS FOR THE MANUFACTURE OR SALE OF APPARATUS OR DEVICES WITHOUT PERMISSION.

DRAWN

KLW

11-07-97

DWG. NO.

SHEET 12 OF 22

REV

PROJ.

MD360D0

125412

D

PARTS LIST

| REF DES | C. P. N. | DESCRIPTION | MAP LOC. |
|---------|--------------|--------------------------|----------|
| Q203 | C 3786-8 | MPS4250A 40V PNP T/R | D 2 |
| Q204 | C 3578-9 | MPSA93 200V PNP T/R | D 3 |
| Q205 | C 3810-6 | MPSA42 300V NPN T/R | C 2 |
| Q206 | C 3578-9 | MPSA93 200V PNP T/R | C 2 |
| Q207 | C 7458-0 | 2N4123 30V NPN T/R | A 5 |
| Q208 | C 3786-8 | MPS4250A 40V PNP T/R | A 5 |
| Q209 | C 3810-6 | MPSA42 300V NPN T/R | D 4 |
| Q210 | C 7458-0 | 2N4123 30V NPN T/R | A 5 |
| Q211 | C 3786-8 | MPS4250A 40V PNP T/R | B 5 |
| Q212 | D 2962-5 | MPSA18 45V NPN T/R | F 4 |
| Q213 | C 7458-0 | 2N4123 30V NPN T/R | G 4 |
| Q214 | C 3625-8 | 2N4125 30V PNP T/R | G 3 |
| Q215 | C 3786-8 | MPS4250A 40V PNP T/R | F 3 |
| Q216 | C 3625-8 | 2N4125 30V PNP T/R | B 1 |
| Q217 | C 7458-0 | 2N4123 30V NPN T/R | B 1 |
| Q218 | C 3625-8 | 2N4125 30V PNP T/R | C 5 |
| Q219 | C 7458-0 | 2N4123 30V NPN T/R | C 5 |
| Q220 | C 3625-8 | 2N4125 30V PNP T/R | C 4 |
| Q221 | C 7458-0 | 2N4123 30V NPN T/R | C 4 |
| Q222 | C 3625-8 | 2N4125 30V PNP T/R | C 4 |
| Q223 | C 3625-8 | 2N4125 30V PNP T/R | D 5 |
| Q224 | C 3625-8 | 2N4125 30V PNP T/R | D 4 |
| Q225 | C 3625-8 | 2N4125 30V PNP T/R | D 4 |
| Q226 | C 7458-0 | 2N4123 30V NPN T/R | E 4 |
| Q227 | C 3810-6 | MPSA42 300V NPN T/R | F 4 |
| Q228 | C 7458-0 | 2N4123 30V NPN T/R | D 4 |
| Q229 | C 3625-8 | 2N4125 30V PNP T/R | D 4 |
| Q230 | C 3578-9 | MPSA93 200V PNP T/R | E 4 |
| Q231 | C 7597-5 | J202 N-CHANNEL JFET | G 6 |
| R1 | A10265-46421 | 46.4 KOHM .25W 1% MF T/R | E 2 |
| R2 | A10265-53621 | 53.6 KOHM .25W 1% MF T/R | F 2 |
| R4 | A10265-10031 | 100. KOHM .25W 1 MF T/R | G 5 |
| R5 | A10265-24921 | 24.9 KOHM .25W 1% MF T/R | G 5 |
| R6 | A10265-24921 | 24.9 KOHM .25W 1% MF T/R | F 5 |
| R7 | A10265-10031 | 100. KOHM .25W 1 MF T/R | F 5 |
| R8 | A10266-1051 | 1.0 MOHM .25W 5 CF T/R | H 2 |
| R9 | A10266-1051 | 1.0 MOHM .25W 5 CF T/R | H 2 |
| R10 | A10266-1051 | 1.0 MOHM .25W 5 CF T/R | H 2 |
| R11 | A10266-9111 | 910. OHM .25W 5 CF T/R | I 2 |
| R12 | A10124-24 | WIRE, #24 SOLID BUS | J 6 |
| R13 | A10124-24 | WIRE, #24 SOLID BUS | H 6 |
| R14 | A10266-3921 | 3.9 KOHM .25W 5% CF T/R | G 5 |
| R15 | A10266-3921 | 3.9 KOHM .25W 5% CF T/R | G 6 |
| R16 | A10266-5641 | 560. KOHM .25W 5% CF T/R | G 6 |
| R17 | A10266-1051 | 1.0 MOHM .25W 5 CF T/R | E 6 |
| R18 | A10266-2421 | 2.4 KOHM .25W 5 CF T/R | E 6 |
| R19 | A10266-2421 | 2.4 KOHM .25W 5 CF T/R | E 6 |
| | | | |
| | | | |
| | | | |

CROWN INTERNATIONAL INC.

1718 WEST MISHAWAKA ROAD ELKHART, INDIANA 46517 PHONE (219) 294-8888

DRAWN

KLW

11-07-97

DWG. NO.

SHEET 13 OF 22

REV

PROJ.

MD36000

125412

D

THESE DRAWINGS AND SPECIFICATIONS ARE THE PROPERTY OF CROWN INTERNATIONAL, INC. AND SHALL NOT BE REPRODUCED, COPIED, OR USED AS THE BASIS FOR THE MANUFACTURE OR SALE OF APPARATUS OR DEVICES WITHOUT PERMISSION.

| PARTS LIST | | | |
|------------|--------------|--------------------------------|----------|
| REF DES | C. P. N. | DESCRIPTION | MAP LOC. |
| R20 | A10266-1041 | 100. KOHM .25W 5% CF25 T/R | E 6 |
| R21 | A10266-1041 | 100. KOHM .25W 5% CF25 T/R | E 6 |
| R22 | A10266-1051 | 1.0 MOHM .25W 5 CF T/R | H 5 |
| R23 | A10266-2051 | 2.0 MOHM .25W 5 CF T/R | H 5 |
| R24 | A10266-1031 | 10. KOHM .25W 5% CF T/R | I 6 |
| R25 | A10265-10011 | 1.0 KOHM .25W 1 MF T/R | I 6 |
| R100 | A10265-10021 | 10. KOHM .25W 1 MF T/R | J 3 |
| R101 | A10265-10021 | 10. KOHM .25W 1 MF T/R | J 3 |
| R102 | A10265-10021 | 10. KOHM .25W 1 MF T/R | J 3 |
| R103 | C 9079-2 | 200.OHM TOP ADJ CERMET TRIMMER | I 2 |
| R104 | A10265-10021 | 10. KOHM .25W 1 MF T/R | J 2 |
| R105 | A10265-49911 | 4.99KOHM .25W 1 MF T/R | I 3 |
| R106 | A10265-49911 | 4.99KOHM .25W 1 MF T/R | I 3 |
| R107 | 125931-1 | POT. 5KOHM 10% LIN 21 DNT | J 2 |
| R108 | A10265-11821 | 11.8 KOHM 0.25W 1% MF T/R | I 1 |
| R109 | A10265-24921 | 24.9 KOHM .25W 1% MF T/R | I 1 |
| R110 | A10265-69811 | 6.98 KOHM .25W 1% MF T/R | I 1 |
| R111 | A10265-24921 | 24.9 KOHM .25W 1% MF T/R | K 2 |
| R112 | A10266-2201 | 22.0 OHM .25W 5 CF T/R | J 2 |
| R113 | A10265-49911 | 4.99KOHM .25W 1 MF T/R | K 2 |
| R114 | A10265-10031 | 100. KOHM .25W 1 MF T/R | K 2 |
| R115 | A10265-15031 | 150 KOHM .25 1% MF T/R | J 4 |
| R116 | A10265-10721 | 10.7KOHM .25W 1% MF T/R | I 4 |
| R117 | A10265-20031 | 200.KOHM .25W 1 MF T/R | I 3 |
| R118 | A10265-10521 | 10.5KOHM .25W 1% MF T/R | I 3 |
| R119 | A10265-10031 | 100. KOHM .25W 1 MF T/R | K 2 |
| R120 | A10266-5111 | 510. OHM .25W 5 CF T/R | K 2 |
| R121 | C 5215-6 | 22. MOHM .25W 5 THICK FILM T/R | K 2 |
| R122 | A10266-1321 | 1.3 KOHM .25W 5 CF T/R | K 2 |
| R123 | A10265-49911 | 4.99KOHM .25W 1 MF T/R | K 2 |
| R124 | A10266-1231 | 12.KOHM .25W 5% CF T/R | L 3 |
| R125 | A10266-1231 | 12.KOHM .25W 5% CF T/R | L 2 |
| R126 | A10266-2721 | 2.7 KOHM .25W 5 CF T/R | L 3 |
| R127 | A10266-2721 | 2.7 KOHM .25W 5 CF T/R | L 2 |
| R128 | A10266-6831 | 68. KOHM .25W 5% CF T/R | L 3 |
| R129 | A10266-6831 | 68. KOHM .25W 5% CF T/R | L 3 |
| R130 | A10265-10031 | 100. KOHM .25W 1 MF T/R | L 3 |
| R131 | A10265-10031 | 100. KOHM .25W 1 MF T/R | L 2 |
| R132 | A10266-4701 | 47.0 OHM .25W 5 CF T/R | L 4 |
| R133 | A10266-4701 | 47.0 OHM .25W 5 CF T/R | L 2 |
| R134 | A10266-4711 | 470. OHM .25W 5% CF T/R | M 3 |
| R135 | A10266-2201 | 22.0 OHM .25W 5 CF T/R | M 3 |
| R136 | A10266-8211 | 820. OHM .25W 5% CF T/R | M 3 |
| R137 | A10266-8211 | 820. OHM .25W 5% CF T/R | M 2 |
| R138 | A10266-2201 | 22.0 OHM .25W 5 CF T/R | M 2 |
| R139 | A10266-5601 | 56.0 OHM .25W 5% CF T/R | M 2 |
| R140 | A10266-4721 | 4.7 KOHM .25W 5% CF T/R | P 5 |
| | | | |
| | | | |
| | | | |

CROWN INTERNATIONAL INC.

1718 WEST MISHAWAKA ROAD ELKHART, INDIANA 46517 PHONE (219) 294-8888

THESE DRAWINGS AND SPECIFICATIONS ARE THE PROPERTY OF CROWN INTERNATIONAL, INC. AND SHALL NOT BE REPRODUCED, COPIED, OR USED AS THE BASIS FOR THE MANUFACTURE OR SALE OF APPARATUS OR DEVICES WITHOUT PERMISSION.

| | | | | | |
|-------|---------|----------|----------|----------------|---|
| DRAWN | KLW | 11-07-97 | DWG. NO. | SHEET 14 OF 22 | REV |
| PROJ. | MD360D0 | | 125412 | | <div style="border: 1px solid black; border-radius: 50%; width: 20px; height: 20px; display: flex; align-items: center; justify-content: center;"> D </div> |

| PARTS LIST | | | |
|------------|--------------|--------------------------------|----------|
| REF DES | C. P. N. | DESCRIPTION | MAP LOC. |
| R141 | A10266-5601 | 56.0 OHM .25W 5% CF T/R | M 4 |
| R142 | A10265-66501 | 665. OHM .25W 1 MF T/R | O 5 |
| R143 | A10265-27401 | 274. OHM .25W 1% MF T/R | P 5 |
| R144 | A10265-27401 | 274. OHM .25W 1% MF T/R | O 5 |
| R145 | A10265-66501 | 665. OHM .25W 1 MF T/R | O 5 |
| R146 | A10265-66501 | 665 OHM 0.25W 1% MF T/R | O 5 |
| R147 | A10265-66501 | 665 OHM 0.25W 1% MF T/R | O 5 |
| R148 | A10266-1041 | 100. KOHM .25W 5% CF25 T/R | P 5 |
| R149 | A10265-35711 | 3.57KOHM .25W 1 MF T/R | P 5 |
| R150 | A10265-35711 | 3.57KOHM .25W 1 MF T/R | O 5 |
| R151 | A10266-1041 | 100. KOHM .25W 5% CF25 T/R | O 5 |
| R152 | C 8836-6 | 100 OHM 0.50W 5% FU/FP T/R | K 4 |
| R153 | A10266-1031 | 10. KOHM .25W 5% CF T/R | K 4 |
| R154 | A10266-2721 | 2.7 KOHM .25W 5 CF T/R | K 3 |
| R155 | C 8836-6 | 100 OHM 0.50W 5% FU/FP T/R | K 3 |
| R156 | A10266-1031 | 10. KOHM .25W 5% CF T/R | K 3 |
| R157 | A10266-2721 | 2.7 KOHM .25W 5 CF T/R | K 3 |
| R158 | A10266-3021 | 3.0 KOHM .25W 5 CF T/R | J 4 |
| R159 | A10265-10011 | 1.0 KOHM .25W 1 MF T/R | K 3 |
| R160 | A10265-10021 | 10. KOHM .25W 1 MF T/R | J 3 |
| R161 | A10266-4721 | 4.7 KOHM .25W 5% CF T/R | J 3 |
| R162 | A10266-4721 | 4.7 KOHM .25W 5% CF T/R | J 3 |
| R163 | A10265-10021 | 10. KOHM .25W 1 MF T/R | J 3 |
| R164 | C 5215-6 | 22. MOHM .25W 5 THICK FILM T/R | K 3 |
| R165 | A10265-27431 | 274.KOHM .25W 1% MF T/R | J 4 |
| R166 | A10265-95311 | 9.53KOHM .25W 1% MF T/R | I 4 |
| R167 | A10266-1321 | 1.3 KOHM .25W 5 CF T/R | K 3 |
| R168 | A10124-24 | WIRE, #24 SOLID BUS | K 3 |
| R169 | A10265-27431 | 274.KOHM .25W 1% MF T/R | J 2 |
| R170 | A10265-95311 | 9.53KOHM .25W 1% MF T/R | J 2 |
| R171 | A10266-5621 | 5.6 KOHM .25W 5% CF T/R | P 3 |
| R172 | A10266-1541 | 150. KOHM .25W 5% CF T/R | O 3 |
| R173 | A10265-17821 | 17.8KOHM .25W 1% MF T/R | O 3 |
| R174 | A10265-24921 | 24.9 KOHM .25W 1% MF T/R | O 3 |
| R175 | A10265-49911 | 4.99KOHM .25W 1 MF T/R | O 3 |
| R176 | A10265-68111 | 6.81KOHM .25W 1% MF T/R | O 3 |
| R177 | A10265-33221 | 33.2KOHM .25W 1% MF T/R | O 4 |
| R178 | A10265-10021 | 10. KOHM .25W 1 MF T/R | O 4 |
| R179 | A10265-20011 | 2.0 KOHM .25W 1% MF T/R | O 3 |
| R180 | A10265-20011 | 2.0 KOHM .25W 1% MF T/R | O 3 |
| R181 | A10265-10001 | 100. OHM .25W 1 MF T/R | O 2 |
| R182 | A10265-51121 | 51.1 KOHM .25W 1% MF T/R | O 2 |
| R183 | A10265-68111 | 6.81KOHM .25W 1% MF T/R | O 2 |
| R184 | A10265-10001 | 100. OHM .25W 1 MF T/R | O 2 |
| R185 | A10266-2741 | 270. KOHM .25W 5% CF25 T/R | O 2 |
| R186 | C 5062-2 | 100KOHM LINEAR TRIMPOT | O 2 |
| R187 | A10265-14321 | 14.3 KOHM 0.25W 1% MF T/R | O 4 |
| | | | |
| | | | |
| | | | |

CROWN INTERNATIONAL INC.

1718 WEST MISHAWAKA ROAD ELKHART, INDIANA 46517 PHONE (219) 294-8888

THESE DRAWINGS AND SPECIFICATIONS ARE THE PROPERTY OF CROWN INTERNATIONAL, INC. AND SHALL NOT BE REPRODUCED, COPIED, OR USED AS THE BASIS FOR THE MANUFACTURE OR SALE OF APPARATUS OR DEVICES WITHOUT PERMISSION.

DRAWN

KLW

11-07-97

DWG. NO.

SHEET 15 OF 22

REV

PROJ.

MD360D0

125412

D

PARTS LIST

| REF DES | C. P. N. | DESCRIPTION | MAP LOC. |
|---------|--------------|--------------------------------|----------|
| R188 | A10265-32421 | 32.4K OHM 0.25W 1% MF T/R | O 4 |
| R189 | A10265-19121 | 19.1K OHM 0.25W 1% MF T/R | O 4 |
| R190 | A10265-33221 | 33.2KOHM .25W 1% MF T/R | P 3 |
| R191 | A10265-10021 | 10. KOHM .25W 1 MF T/R | P 3 |
| R192 | A10265-20011 | 2.0 KOHM .25W 1% MF T/R | P 3 |
| R193 | A10265-20011 | 2.0 KOHM .25W 1% MF T/R | P 4 |
| R194 | A10265-68111 | 6.81KOHM .25W 1% MF T/R | P 3 |
| R195 | A10265-10001 | 100. OHM .25W 1 MF T/R | P 2 |
| R196 | A10265-51121 | 51.1 KOHM .25W 1% MF T/R | P 2 |
| R197 | A10265-68111 | 6.81KOHM .25W 1% MF T/R | P 2 |
| R198 | A10265-10001 | 100. OHM .25W 1 MF T/R | P 2 |
| R199 | A10266-2741 | 270. KOHM .25W 5% CF25 T/R | P 2 |
| R200 | A10265-10021 | 10. KOHM .25W 1 MF T/R | G 3 |
| R201 | A10265-10021 | 10. KOHM .25W 1 MF T/R | G 3 |
| R202 | A10265-10021 | 10. KOHM .25W 1 MF T/R | G 3 |
| R203 | C 9079-2 | 200.OHM TOP ADJ CERMET TRIMMER | H 1 |
| R204 | A10265-10021 | 10. KOHM .25W 1 MF T/R | G 2 |
| R205 | A10265-49911 | 4.99KOHM .25W 1 MF T/R | H 3 |
| R206 | A10265-49911 | 4.99KOHM .25W 1 MF T/R | H 3 |
| R207 | 125931-1 | POT. 5KOHM 10% LIN 21 DNT | F 2 |
| R208 | A10265-11821 | 11.8K OHM 0.25W 1% MF T/R | H 1 |
| R209 | A10265-24921 | 24.9 KOHM .25W 1% MF T/R | H 1 |
| R210 | A10265-69811 | 6.98 KOHM .25W 1% MF T/R | H 1 |
| R211 | A10265-24921 | 24.9 KOHM .25W 1% MF T/R | F 2 |
| R212 | A10266-2201 | 22.0 OHM .25W 5 CF T/R | G 2 |
| R213 | A10265-49911 | 4.99KOHM .25W 1 MF T/R | F 2 |
| R214 | A10265-10031 | 100. KOHM .25W 1 MF T/R | F 2 |
| R215 | A10265-15031 | 150 KOHM .25 1% MF T/R | G 4 |
| R216 | A10265-10721 | 10.7KOHM .25W 1% MF T/R | H 4 |
| R217 | A10265-20031 | 200.KOHM .25W 1 MF T/R | H 3 |
| R218 | A10265-10521 | 10.5KOHM .25W 1% MF T/R | H 3 |
| R219 | A10265-10031 | 100. KOHM .25W 1 MF T/R | F 2 |
| R220 | A10266-5111 | 510. OHM .25W 5 CF T/R | F 2 |
| R221 | C 5215-6 | 22. MOHM .25W 5 THICK FILM T/R | F 2 |
| R222 | A10266-1321 | 1.3 KOHM .25W 5 CF T/R | F 2 |
| R223 | A10265-49911 | 4.99KOHM .25W 1 MF T/R | F 2 |
| R224 | A10266-1231 | 12.KOHM .25W 5% CF T/R | E 3 |
| R225 | A10266-1231 | 12.KOHM .25W 5% CF T/R | E 2 |
| R226 | A10266-2721 | 2.7 KOHM .25W 5 CF T/R | E 3 |
| R227 | A10266-2721 | 2.7 KOHM .25W 5 CF T/R | E 2 |
| R228 | A10266-6831 | 68. KOHM .25W 5% CF T/R | E 3 |
| R229 | A10266-6831 | 68. KOHM .25W 5% CF T/R | E 3 |
| R230 | A10265-10031 | 100. KOHM .25W 1 MF T/R | E 3 |
| R231 | A10265-10031 | 100. KOHM .25W 1 MF T/R | E 2 |
| R232 | A10266-4701 | 47.0 OHM .25W 5 CF T/R | E 4 |
| R233 | A10266-4701 | 47.0 OHM .25W 5 CF T/R | E 2 |
| R234 | A10266-4711 | 470. OHM .25W 5% CF T/R | D 3 |
| | | | |
| | | | |
| | | | |

CROWN INTERNATIONAL INC.

1718 WEST MISHAWAKA ROAD ELKHART, INDIANA 46517 PHONE (219) 294-8888

THESE DRAWINGS AND SPECIFICATIONS ARE THE PROPERTY OF CROWN INTERNATIONAL, INC. AND SHALL NOT BE REPRODUCED, COPIED, OR USED AS THE BASIS FOR THE MANUFACTURE OR SALE OF APPARATUS OR DEVICES WITHOUT PERMISSION.

| | | | | | |
|-------|---------|----------|----------|----------------|-----|
| DRAWN | KLW | 11-07-97 | DWG. NO. | SHEET 16 OF 22 | REV |
| PROJ. | MD360D0 | | 125412 | | |

| PARTS LIST | | | |
|------------|--------------|--------------------------------|----------|
| REF DES | C. P. N. | DESCRIPTION | MAP LOC. |
| R235 | A10266-2201 | 22.0 OHM .25W 5 CF T/R | D 3 |
| R236 | A10266-8211 | 820. OHM .25W 5% CF T/R | D 3 |
| R237 | A10266-8211 | 820. OHM .25W 5% CF T/R | D 2 |
| R238 | A10266-2201 | 22.0 OHM .25W 5 CF T/R | D 2 |
| R239 | A10266-5601 | 56.0 OHM .25W 5% CF T/R | D 2 |
| R240 | A10266-4721 | 4.7 KOHM .25W 5% CF T/R | A 5 |
| R241 | A10266-5601 | 56.0 OHM .25W 5% CF T/R | D 4 |
| R242 | A10265-66501 | 665. OHM .25W 1 MF T/R | B 5 |
| R243 | A10265-27401 | 274. OHM .25W 1% MF T/R | A 5 |
| R244 | A10265-27401 | 274. OHM .25W 1% MF T/R | B 5 |
| R245 | A10265-66501 | 665. OHM .25W 1 MF T/R | B 5 |
| R246 | A10265-66501 | 665 OHM 0.25W 1% MF T/R | B 5 |
| R247 | A10265-66501 | 665 OHM 0.25W 1% MF T/R | B 5 |
| R248 | A10266-1041 | 100. KOHM .25W 5% CF25 T/R | A 5 |
| R249 | A10265-35711 | 3.57KOHM .25W 1 MF T/R | A 5 |
| R250 | A10265-35711 | 3.57KOHM .25W 1 MF T/R | B 5 |
| R251 | A10266-1041 | 100. KOHM .25W 5% CF25 T/R | B 5 |
| R252 | C 8836-6 | 100 OHM 0.50W 5% FU/FP T/R | F 4 |
| R253 | A10266-1031 | 10. KOHM .25W 5% CF T/R | E 4 |
| R254 | A10266-2721 | 2.7 KOHM .25W 5 CF T/R | E 3 |
| R255 | C 8836-6 | 100 OHM 0.50W 5% FU/FP T/R | F 3 |
| R256 | A10266-1031 | 10. KOHM .25W 5% CF T/R | E 3 |
| R257 | A10266-2721 | 2.7 KOHM .25W 5 CF T/R | E 3 |
| R258 | A10266-3021 | 3.0 KOHM .25W 5 CF T/R | G 4 |
| R259 | A10265-10011 | 1.0 KOHM .25W 1 MF T/R | F 3 |
| R260 | A10265-10021 | 10. KOHM .25W 1 MF T/R | G 3 |
| R261 | A10266-4721 | 4.7 KOHM .25W 5% CF T/R | G 3 |
| R262 | A10266-4721 | 4.7 KOHM .25W 5% CF T/R | G 3 |
| R263 | A10265-10021 | 10. KOHM .25W 1 MF T/R | G 3 |
| R264 | C 5215-6 | 22. MOHM .25W 5 THICK FILM T/R | F 3 |
| R265 | A10265-27431 | 274. KOHM .25W 1% MF T/R | G 4 |
| R266 | A10265-95311 | 9.53KOHM .25W 1% MF T/R | H 4 |
| R267 | A10266-1321 | 1.3 KOHM .25W 5 CF T/R | F 3 |
| R268 | A10124-24 | WIRE, #24 SOLID BUS | F 3 |
| R269 | A10265-27431 | 274. KOHM .25W 1% MF T/R | G 2 |
| R270 | A10265-95311 | 9.53KOHM .25W 1% MF T/R | G 2 |
| R271 | A10266-5621 | 5.6 KOHM .25W 5% CF T/R | B 3 |
| R272 | A10266-1541 | 150. KOHM .25W 5% CF T/R | A 3 |
| R273 | A10265-17821 | 17.8KOHM .25W 1% MF T/R | A 3 |
| R274 | A10265-24921 | 24.9 KOHM .25W 1% MF T/R | A 3 |
| R275 | A10265-49911 | 4.99KOHM .25W 1 MF T/R | A 3 |
| R276 | A10265-68111 | 6.81KOHM .25W 1% MF T/R | A 3 |
| R277 | A10265-33221 | 33.2KOHM .25W 1% MF T/R | A 4 |
| R278 | A10265-10021 | 10. KOHM .25W 1 MF T/R | A 4 |
| R279 | A10265-20011 | 2.0 KOHM .25W 1% MF T/R | A 3 |
| R280 | A10265-20011 | 2.0 KOHM .25W 1% MF T/R | A 3 |
| R281 | A10265-10001 | 100. OHM .25W 1 MF T/R | A 2 |
| | | | |
| | | | |
| | | | |

| | | | |
|---------------------------------|---------|------------------------|----------------------|
| CROWN INTERNATIONAL INC. | | | |
| 1718 WEST MISHAWAKA ROAD | | ELKHART, INDIANA 46517 | PHONE (219) 294-8888 |
| DRAWN | KLW | 11-07-97 | DWG. NO. |
| PROJ. | MD360D0 | 125412 | |
| | | | SHEET 17 OF 22 |
| | | | REV D |

THESE DRAWINGS AND SPECIFICATIONS ARE THE PROPERTY OF CROWN INTERNATIONAL, INC. AND SHALL NOT BE REPRODUCED, COPIED, OR USED AS THE BASIS FOR THE MANUFACTURE OR SALE OF APPARATUS OR DEVICES WITHOUT PERMISSION.

| PARTS LIST | | | |
|------------|--------------|----------------------------|----------|
| REF DES | C. P. N. | DESCRIPTION | MAP LOC. |
| R282 | A10265-51121 | 51.1 KOHM .25W 1% MF T/R | A 2 |
| R283 | A10265-68111 | 6.81KOHM .25W 1% MF T/R | A 2 |
| R284 | A10265-10001 | 100. OHM .25W 1 MF T/R | A 2 |
| R285 | A10266-2741 | 270. KOHM .25W 5% CF25 T/R | A 2 |
| R286 | C 5062-2 | 100KOHM LINEAR TRIMPOT | A 2 |
| R287 | A10265-14321 | 14.3K OHM 0.25W 1% MF T/R | A 4 |
| R288 | A10265-32421 | 32.4K OHM 0.25W 1% MF T/R | A 4 |
| R289 | A10265-19121 | 19.1K OHM 0.25W 1% MF T/R | A 4 |
| R290 | A10265-33221 | 33.2KOHM .25W 1% MF T/R | B 3 |
| R291 | A10265-10021 | 10. KOHM .25W 1 MF T/R | B 3 |
| R292 | A10265-20011 | 2.0 KOHM .25W 1% MF T/R | B 4 |
| R293 | A10265-20011 | 2.0 KOHM .25W 1% MF T/R | B 4 |
| R294 | A10265-68111 | 6.81KOHM .25W 1% MF T/R | B 3 |
| R295 | A10265-10001 | 100. OHM .25W 1 MF T/R | B 2 |
| R296 | A10265-51121 | 51.1 KOHM .25W 1% MF T/R | B 2 |
| R297 | A10265-68111 | 6.81KOHM .25W 1% MF T/R | B 2 |
| R298 | A10265-10001 | 100. OHM .25W 1 MF T/R | B 2 |
| R299 | A10266-2741 | 270. KOHM .25W 5% CF25 T/R | B 2 |
| R300 | C 5062-2 | 100KOHM LINEAR TRIMPOT | P 2 |
| R301 | A10265-14321 | 14.3K OHM 0.25W 1% MF T/R | P 4 |
| R302 | A10265-32421 | 32.4K OHM 0.25W 1% MF T/R | P 4 |
| R303 | A10265-19121 | 19.1K OHM 0.25W 1% MF T/R | P 4 |
| R304 | A10265-39221 | 39.2KOHM .25W 1% MF T/R | P 4 |
| R305 | A10265-35731 | 357. KOHM .25W 1 MF T/R | P 4 |
| R306 | A10266-3021 | 3.0 KOHM .25W 5 CF T/R | O 1 |
| R307 | A10266-1521 | 1.5 KOHM .25W 5% CF T/R | O 1 |
| R308 | A10266-1041 | 100. KOHM .25W 5% CF25 T/R | O 1 |
| R309 | C 7779-9 | 22. OHM .25W 5% FU/FP T/R | N 5 |
| R310 | A10266-4711 | 470. OHM .25W 5% CF T/R | N 5 |
| R311 | A10266-4711 | 470. OHM .25W 5% CF T/R | N 5 |
| R312 | C 7779-9 | 22. OHM .25W 5% FU/FP T/R | N 5 |
| R313 | A10266-4711 | 470. OHM .25W 5% CF T/R | N 5 |
| R314 | C 7779-9 | 22. OHM .25W 5% FU/FP T/R | N 4 |
| R315 | A10266-4711 | 470. OHM .25W 5% CF T/R | N 4 |
| R316 | A10266-4711 | 470. OHM .25W 5% CF T/R | N 4 |
| R317 | A10266-4711 | 470. OHM .25W 5% CF T/R | N 4 |
| R318 | C 7779-9 | 22. OHM .25W 5% FU/FP T/R | N 4 |
| R319 | A10266-2731 | 27. KOHM .25W 5 CF T/R | N 5 |
| R320 | A10266-3321 | 3.3 KOHM .25W 5% CF T/R | L 5 |
| R321 | A10266-3321 | 3.3 KOHM .25W 5% CF T/R | L 5 |
| R322 | A10266-2051 | 2.0 MOHM .25W 5 CF T/R | K 5 |
| R323 | A10266-1521 | 1.5 KOHM .25W 5% CF T/R | L 5 |
| R324 | A10266-4711 | 470. OHM .25W 5% CF T/R | K 5 |
| R325 | A10266-1041 | 100. KOHM .25W 5% CF25 T/R | K 5 |
| R326 | A10266-5121 | 5.1 KOHM .25W 5 CF T/R | K 5 |
| R327 | A10266-7521 | 7.5 KOHM .25W 5% CF T/R | K 5 |
| R328 | A10266-8231 | 82. KOHM .25W 5% CF T/R | L 5 |
| | | | |
| | | | |
| | | | |

| | | | |
|---------------------------------|---------|------------------------|----------------------|
| CROWN INTERNATIONAL INC. | | | |
| 1718 WEST MISHAWAKA ROAD | | ELKHART, INDIANA 46517 | PHONE (219) 294-8000 |
| DRAWN | KLW | 11-07-97 | DWG. NO. |
| PROJ. | MD360D0 | | SHEET 18 OF 22 |
| | | | 125412 |
| | | | D |

THESE DRAWINGS AND SPECIFICATIONS ARE THE PROPERTY OF CROWN INTERNATIONAL, INC. AND SHALL NOT BE REPRODUCED, COPIED, OR USED AS THE BASIS FOR THE MANUFACTURE OR SALE OF APPARATUS OR DEVICES WITHOUT PERMISSION.

| PARTS LIST | | | |
|------------|--------------|----------------------------|----------|
| REF DES | C. P. N. | DESCRIPTION | MAP LOC. |
| R329 | A10265-51121 | 51.1 KOHM .25W 1% MF T/R | L 6 |
| R330 | A10266-4741 | 470. KOHM .25W 5% CF T/R | L 5 |
| R331 | A10266-2751 | 2.7 MOHM .25W 5% CF T/R | L 5 |
| R332 | A10265-10001 | 100 OHM 0.25W 1% MF T/R | |
| R338 | A10266-1041 | 100. KOHM .25W 5% CF25 T/R | J 6 |
| R339 | A10266-4731 | 47. KOHM .25W 5% CF25 T/R | J 6 |
| R340 | A10266-5121 | 5.1 KOHM .25W 5 CF T/R | L 6 |
| R341 | A10266-1531 | 15. KOHM .25W 5% CF T/R | L 6 |
| R342 | A10266-3921 | 3.9 KOHM .25W 5% CF T/R | L 5 |
| R343 | A10266-1031 | 10. KOHM .25W 5% CF T/R | L 5 |
| R344 | A10266-4731 | 47. KOHM .25W 5% CF25 T/R | L 4 |
| R345 | A10266-1031 | 10. KOHM .25W 5% CF T/R | L 5 |
| R346 | A10266-4731 | 47. KOHM .25W 5% CF25 T/R | L 4 |
| R347 | A10266-1031 | 10. KOHM .25W 5% CF T/R | L 4 |
| R348 | A10266-1031 | 10. KOHM .25W 5% CF T/R | L 4 |
| R349 | A10266-1031 | 10. KOHM .25W 5% CF T/R | L 4 |
| R350 | A10266-4701 | 47.0 OHM .25W 5 CF T/R | L 5 |
| R351 | A10266-2031 | 20. KOHM .25W 5 CF T/R | K 4 |
| R352 | A10266-1031 | 10. KOHM .25W 5% CF T/R | L 4 |
| R353 | A10266-4731 | 47. KOHM .25W 5% CF25 T/R | L 4 |
| R354 | A10266-4731 | 47. KOHM .25W 5% CF25 T/R | L 4 |
| R355 | A10266-4731 | 47. KOHM .25W 5% CF25 T/R | L 4 |
| R356 | A10266-4731 | 47. KOHM .25W 5% CF25 T/R | L 4 |
| R357 | A10266-1031 | 10. KOHM .25W 5% CF T/R | L 5 |
| R358 | A10266-2031 | 20. KOHM .25W 5 CF T/R | L 4 |
| R359 | A10265-10R01 | 10.0 OHM .25W 1 MF T/R | N 4 |
| R360 | A10266-1211 | 120. OHM .25W 5 CF T/R | N 4 |
| R361 | C 6048-0 | 500 OHM PIHER TRIM | N 4 |
| R362 | A10265-10R01 | 10.0 OHM .25W 1 MF T/R | N 4 |
| R363 | A10265-10211 | 1.02K OHM 0.25W 1% MF T/R | N 3 |
| R364 | A10265-18221 | 18.2K OHM 0.25W 1% MF T/R | N 3 |
| R365 | A10265-10211 | 1.02K OHM 0.25W 1% MF T/R | N 3 |
| R366 | A10265-18221 | 18.2K OHM 0.25W 1% MF T/R | N 3 |
| R367 | A10265-10R01 | 10 OHM 0.25W 1% MF T/R | N 3 |
| R368 | A10266-4711 | 470. OHM .25W 5% CF T/R | J 4 |
| R369 | A10266-4711 | 470. OHM .25W 5% CF T/R | J 4 |
| R400 | C 5062-2 | 100KOHM LINEAR TRIMPOT | B 2 |
| R401 | A10265-14321 | 14.3K OHM 0.25W 1% MF T/R | B 4 |
| R402 | A10265-32421 | 32.4K OHM 0.25W 1% MF T/R | B 4 |
| R403 | A10265-19121 | 19.1K OHM 0.25W 1% MF T/R | B 4 |
| R404 | A10265-39221 | 39.2KOHM .25W 1% MF T/R | B 4 |
| R405 | A10265-35731 | 357.KOHM .25W 1 MF T/R | B 5 |
| R406 | A10266-3021 | 3.0 KOHM .25W 5 CF T/R | B 1 |
| R407 | A10266-1521 | 1.5 KOHM .25W 5% CF T/R | B 1 |
| R408 | A10266-1041 | 100. KOHM .25W 5% CF25 T/R | B 1 |
| R409 | C 7779-9 | 22. OHM .25W 5% FU/FP T/R | C 5 |
| R410 | A10266-4711 | 470. OHM .25W 5% CF T/R | C 5 |
| | | | |
| | | | |
| | | | |

CROWN INTERNATIONAL INC.

1718 WEST MISHAWAKA ROAD ELKHART, INDIANA 46517 PHONE (219) 294-8000

THESE DRAWINGS AND SPECIFICATIONS ARE THE PROPERTY OF CROWN INTERNATIONAL, INC. AND SHALL NOT BE REPRODUCED, COPIED, OR USED AS THE BASIS FOR THE MANUFACTURE OR SALE OF APPARATUS OR DEVICES WITHOUT PERMISSION.

| | | | | | |
|-------|---------|----------|----------|----------------|-----|
| DRAWN | KLW | 11-07-97 | DWG. NO. | SHEET 19 OF 22 | REV |
| PROJ. | MD360D0 | | 125412 | | D |

| PARTS LIST | | | |
|------------|--------------|----------------------------|----------|
| REF DES | C. P. N. | DESCRIPTION | MAP LOC. |
| R411 | A10266-4711 | 470. OHM .25W 5% CF T/R | C 5 |
| R412 | C 7779-9 | 22. OHM .25W 5% FU/FP T/R | C 5 |
| R413 | A10266-4711 | 470. OHM .25W 5% CF T/R | C 5 |
| R414 | C 7779-9 | 22. OHM .25W 5% FU/FP T/R | C 4 |
| R415 | A10266-4711 | 470. OHM .25W 5% CF T/R | C 4 |
| R416 | A10266-4711 | 470. OHM .25W 5% CF T/R | C 4 |
| R417 | A10266-4711 | 470. OHM .25W 5% CF T/R | C 4 |
| R418 | C 7779-9 | 22. OHM .25W 5% FU/FP T/R | C 4 |
| R419 | A10266-2731 | 27. KOHM .25W 5 CF T/R | C 5 |
| R420 | A10266-3321 | 3.3 KOHM .25W 5% CF T/R | E 5 |
| R421 | A10266-3321 | 3.3 KOHM .25W 5% CF T/R | E 5 |
| R422 | A10266-2051 | 2.0 MOHM .25W 5 CF T/R | F 5 |
| R423 | A10266-1521 | 1.5 KOHM .25W 5% CF T/R | E 5 |
| R424 | A10266-4711 | 470. OHM .25W 5% CF T/R | F 5 |
| R425 | A10266-1041 | 100. KOHM .25W 5% CF25 T/R | F 5 |
| R426 | A10266-5121 | 5.1 KOHM .25W 5 CF T/R | F 5 |
| R427 | A10266-7521 | 7.5 KOHM .25W 5% CF T/R | F 5 |
| R428 | A10266-8231 | 82. KOHM .25W 5% CF T/R | E 5 |
| R429 | A10265-51121 | 51.1 KOHM .25W 1% MF T/R | E 6 |
| R430 | A10266-4741 | 470. KOHM .25W 5% CF T/R | E 5 |
| R431 | A10266-2751 | 2.7 MOHM .25W 5% CF T/R | E 5 |
| R438 | A10266-1041 | 100. KOHM .25W 5% CF25 T/R | G 6 |
| R439 | A10266-4731 | 47. KOHM .25W 5% CF25 T/R | G 6 |
| R440 | A10266-5121 | 5.1 KOHM .25W 5 CF T/R | E 6 |
| R441 | A10266-1531 | 15. KOHM .25W 5% CF T/R | E 6 |
| R442 | A10266-3921 | 3.9 KOHM .25W 5% CF T/R | E 5 |
| R443 | A10266-1031 | 10. KOHM .25W 5% CF T/R | E 5 |
| R444 | A10266-4731 | 47. KOHM .25W 5% CF25 T/R | E 4 |
| R445 | A10266-1031 | 10. KOHM .25W 5% CF T/R | E 5 |
| R446 | A10266-4731 | 47. KOHM .25W 5% CF25 T/R | E 4 |
| R447 | A10266-1031 | 10. KOHM .25W 5% CF T/R | E 4 |
| R448 | A10266-1031 | 10. KOHM .25W 5% CF T/R | E 4 |
| R449 | A10266-1031 | 10. KOHM .25W 5% CF T/R | E 4 |
| R450 | A10266-4701 | 47.0 OHM .25W 5 CF T/R | E 5 |
| R451 | A10266-2031 | 20. KOHM .25W 5 CF T/R | F 4 |
| R452 | A10266-1031 | 10. KOHM .25W 5% CF T/R | E 4 |
| R453 | A10266-4731 | 47. KOHM .25W 5% CF25 T/R | E 4 |
| R454 | A10266-4731 | 47. KOHM .25W 5% CF25 T/R | E 4 |
| R455 | A10266-4731 | 47. KOHM .25W 5% CF25 T/R | E 4 |
| R456 | A10266-4731 | 47. KOHM .25W 5% CF25 T/R | E 4 |
| R457 | A10266-1031 | 10. KOHM .25W 5% CF T/R | E 5 |
| R458 | A10266-2031 | 20. KOHM .25W 5 CF T/R | E 4 |
| R459 | A10265-10R01 | 10.0 OHM .25W 1 MF T/R | C 3 |
| R460 | A10266-1211 | 120. OHM .25W 5 CF T/R | C 3 |
| R461 | C 6048-0 | 500 OHM PIHER TRIM | C 4 |
| R462 | A10265-10R01 | 10.0 OHM .25W 1 MF T/R | C 4 |
| R463 | A10265-10211 | 1.02K OHM 0.25W 1% MF T/R | C 3 |
| | | | |
| | | | |
| | | | |

CROWN INTERNATIONAL INC.

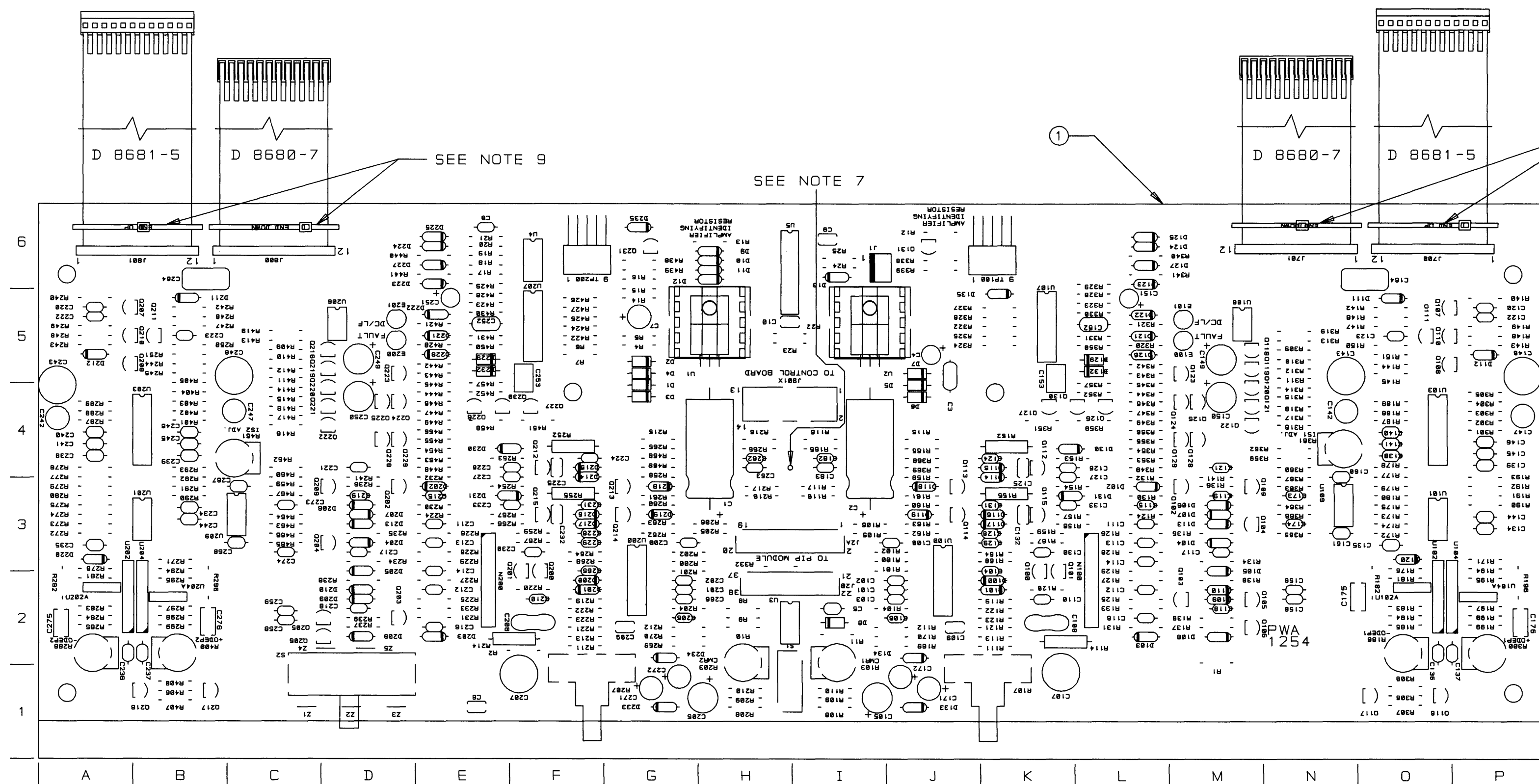
1718 WEST MISHAWAKA ROAD ELKHART, INDIANA 46517 PHONE (219) 294-8888

THESE DRAWINGS AND SPECIFICATIONS ARE THE PROPERTY OF CROWN INTERNATIONAL, INC. AND SHALL NOT BE REPRODUCED, COPIED, OR USED AS THE BASIS FOR THE MANUFACTURE OR SALE OF APPARATUS OR DEVICES WITHOUT PERMISSION.

| | | | | | |
|-------|---------|----------|----------|----------------|---|
| DRAWN | KLW | 11-07-97 | DWG. NO. | SHEET 20 OF 22 | REV |
| PROJ. | MD36000 | | 125412 | | D |

COMPONENT MAP

(COMPONENT SIDE VIEW)



| | | | |
|---------------------------------|---------|------------------------|-----------------|
| CROWN INTERNATIONAL INC. | | | |
| 1718 WEST MISHAWAKA ROAD | | ELKHART, INDIANA 46517 | |
| PHONE (219) 294-8000 | | SHEET 22 OF 22 | |
| DRAWN | KLW | 11-07-97 | DWG. NO. |
| PROJ. | MD360D0 | | 125412 |
| | | | REV D |

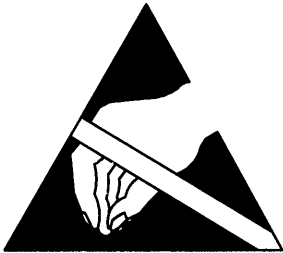
THESE DRAWINGS AND SPECIFICATIONS ARE THE PROPERTY OF CROWN INTERNATIONAL, INC. AND SHALL NOT BE REPRODUCED, COPIED, OR USED AS THE BASIS FOR THE MANUFACTURE OR SALE OF APPARATUS OR DEVICES WITHOUT PERMISSION.

| E.C.N. | ZONE | REV. | DESCRIPTION | DATE | BY | APPROVALS | | | |
|---------|------|------|------------------------------|----------|-----|-----------|----|----|----|
| | | | | | | CHK | ME | EE | PE |
| 98E0207 | | A | PRODUCTION RELEASE (LEVEL 1) | 03/30/98 | JAW | Kw | | | EB |
| | | | | | | | | | |
| | | | | | | | | | |
| | | | | | | | | | |
| | | | | | | | | | |

UNLESS OTHERWISE SPECIFIED, THE FINISHED PWA SHALL MEET:
IPC-A-610_ CLASS 2

NOTES:

1. SCHEMATIC DRAWING NUMBER 125408.
2. PRINTED WIRING BOARD PART NUMBER 125414-3.
3. PRINTED WIRING ASSEMBLY PART NUMBER 125412-3.
4. ALL LEADS SHALL BE TRIMMED TO 0.093" OR LESS.
5. POSITION COMPONENTS AS SHOWN ON COMPONENT MAP.
6. INSERT 8 PIN IC SOCKET (C 3451-9) AT REFERENCE DESIGNATION LOCATION U3.
7. REMOVE SOLDER OR PREVENT SOLDER FROM ACCUMULATING IN HOLES INDICATED ON THE COMPONENT MAP.
8. INSTALL HEATSINK (C 9494-3) AT REFERENCE DESIGNATION LOCATIONS U1 AND U2.
9. INSTALL CABLE TIE (C 8812-7) AT REFERENCE DESIGNATION LOCATIONS J700, J701, J800 AND J801.
USE A 0.25" DIAMETER ROD AS A GAUGE TO CHECK THE TIGHTNESS OF THE CABLES.
ON THE COMPONENT SIDE PRESS THE CABLE AGAINST THE BOARD, THE GAUGE SHOULD NOT FIT UNDER THE CABLE TIE.
10. THE CROWN PART NUMBER FOR THIS MODULE SHALL BE MARKED ON THE P.C. BOARD AND SHALL BE PERMANENT.



CAUTION

STATIC CAN DAMAGE COMPONENTS!

DO NOT HANDLE

UNLESS WRIST STRAP IS WORN

INACTIVE
For Reference Use Only

THESE DRAWINGS AND SPECIFICATIONS ARE THE PROPERTY OF CROWN INTERNATIONAL, INC. AND SHALL NOT BE REPRODUCED, COPIED, OR USED AS THE BASIS FOR THE MANUFACTURE OR SALE OF APPARATUS OR DEVICES WITHOUT PERMISSION.

| | | | | | | | | | |
|---------------------------------|--|---|---------|----------|--------------|----------------------|------------------------|-----------------------|-----|
| CROWN INTERNATIONAL INC. | | | | | | | | | |
| PRINTS TO | | 1718 WEST MISHAWAKA ROAD ELKHART, INDIANA 46517 | | | | PHONE (219) 294-8000 | | | |
| K | | PWA; CT810A MAIN | | | | | | TOL. UNLESS SPECIFIED | |
| | | | | | | | | X.XX - ± 0.020 | |
| | | | | | | | | X.XXX - ± 0.010 | |
| | | | | | | | | DRILLS - ± 0.003 | |
| | | DRAWN | JAW | 03/30/98 | APPROVED BY: | | DO NOT SCALE PRINT | | |
| | | CHECKED | Kw | 03-30-98 | ME | | SUPERSEDES | | |
| | | SCALE | NONE | | EE | | E.C.N. | | |
| | | PROJ # | MD360D0 | | PE | EB 3-31-98 | DWG. NO. SHEET 1 OF 22 | | REV |
| | | NEXT ASSEMBLY | | | | | 125412-3 | | (A) |

PARTS LIST

| C.P.N. | DESCRIPTION | QTY | REFERENCE DESIGNATION |
|--------------|---------------------------|-----|---|
| A10124-24 | WIRE, #24 SOLID BUS | 8" | R12, R13, R168, R268 |
| A10265-10001 | 100. OHM .25W 1 MF T/R | 9 | R181, R184, R195, R198, R281, R284, R295, R298, R332 |
| A10265-10011 | 1.0 KOHM .25W 1 MF T/R | 5 | R159, R25, R259, R367, R467 |
| A10265-10021 | 10. KOHM .25W 1 MF T/R | 16 | R100, R101, R102, R104, R160, R163, R178, R191, R200, R201, R202, R204, R260, R263, R278, R291 |
| A10265-10031 | 100. KOHM .25W 1 MF T/R | 10 | R114, R119, R130, R131, R214, R219, R230, R231, R4, R7 |
| A10265-10211 | 1.02K OHM 0.25W 1% MF T/R | 4 | R363, R365, R463, R465 |
| A10265-10521 | 10.5KOHM .25W 1% MF T/R | 2 | R118, R218 |
| A10265-10721 | 10.7KOHM .25W 1% MF T/R | 2 | R116, R216 |
| A10265-10R01 | 10.0 OHM .25W 1 MF T/R | 6 | R359, R362, R367, R459, R462, R467 |
| A10265-11821 | 11.8K OHM 0.25W 1% MF T/R | 2 | R108, R208 |
| A10265-14321 | 14.3K OHM 0.25W 1% MF T/R | 4 | R187, R287, R301, R401 |
| A10265-15031 | 150 KOHM .25 1% MF T/R | 2 | R115, R215 |
| A10265-17821 | 17.8KOHM .25W 1% MF T/R | 2 | R173, R273 |
| A10265-18221 | 18.2K OHM .25W 1% MF T/R | 4 | R364, R366, R464, R466 |
| A10265-19121 | 19.1K OHM 0.25W 1% MF T/R | 4 | R189, R289, R303, R403 |
| A10265-20011 | 2.0 KOHM .25W 1% MF T/R | 8 | R179, R180, R192, R193, R279, R280, R292, R293 |
| A10265-20031 | 200. KOHM .25W 1 MF T/R | 2 | R117, R217 |
| A10265-24921 | 24.9 KOHM .25W 1% MF T/R | 8 | R109, R111, R174, R209, R211, R274, R5, R6 |
| A10265-27401 | 274. OHM .25W 1% MF T/R | 4 | R143, R144, R243, R244 |
| A10265-27431 | 274. KOHM .25W 1% MF T/R | 4 | R165, R169, R265, R269 |
| A10265-32421 | 32.4K OHM 0.25W 1% MF T/R | 4 | R188, R288, R302, R402 |
| A10265-33221 | 33.2KOHM .25W 1% MF T/R | 4 | R177, R190, R277, R290 |
| A10265-35711 | 3.57KOHM .25W 1 MF T/R | 4 | R149, R150, R249, R250 |
| A10265-35731 | 357. KOHM .25W 1 MF T/R | 2 | R305, R405 |
| A10265-39221 | 39.2KOHM .25W 1% MF T/R | 2 | R304, R404 |
| A10265-46421 | 46.4 KOHM .25W 1% MF T/R | 1 | R1 |
| A10265-49911 | 4.99KOHM .25W 1 MF T/R | 10 | R105, R106, R113, R123, R175, R205, R206, R213, R223, R275, |
| A10265-51121 | 51.1 KOHM .25W 1% MF T/R | 6 | R182, R196, R282, R296, R329, R429 |
| A10265-53621 | 53.6 KOHM .25W 1% MF T/R | 1 | R2 |
| A10265-66501 | 665 OHM 0.25W 1% MF T/R | 8 | R142, R145, R146, R147, R242, R245, R246, R247 |
| A10265-68111 | 6.81KOHM .25W 1% MF T/R | 8 | R176, R183, R194, R197, R276, R283, R294, R297 |
| A10265-69811 | 6.98 KOHM .25W 1% MF T/R | 2 | R110, R210 |
| A10265-95311 | 9.53KOHM .25W 1% MF T/R | 4 | R166, R170, R266, R270 |
| A10266-1031 | 10. KOHM .25W 5% CF T/R | 19 | R153, R156, R24, R253, R256, R343, R345, R347, R348, R349, R352, R357, R443, R445, R447, R448, R449, R452, R457 |

INACTIVE

For Reference Use Only

CROWN INTERNATIONAL INC.

1718 WEST MISHAWAKA ROAD ELKHART, INDIANA 46517 PHONE (219) 294-8000

| | | | | | |
|-------|---------|----------|----------|---------------|-----|
| DRAWN | JAW | 03/30/98 | DWG. NO. | SHEET 2 OF 22 | REV |
| PROJ. | MD360D0 | | 125412-3 | | A |

THESE DRAWINGS AND SPECIFICATIONS ARE THE PROPERTY OF CROWN INTERNATIONAL, INC. AND SHALL NOT BE REPRODUCED, COPIED, OR USED AS THE BASIS FOR THE MANUFACTURE OR SALE OF APPARATUS OR DEVICES WITHOUT PERMISSION.

PARTS LIST

| C. P. N. | DESCRIPTION | QTY | REFERENCE DESIGNATION |
|--------------|------------------------------|-----|--|
| A10266-1041 | 100. KOHM .25W 5% CF25 T/R | 12 | R148, R151, R20, R21, R248, R251, R308, R325, R338, R408, R425, R438 |
| A10266-1051 | 1.0 MOHM .25W 5 CF T/R | 5 | R10, R17, R22, R8, R9 |
| A10266-1211 | 120. OHM .25W 5 CF T/R | 2 | R360, R460 |
| A10266-1231 | 12. KOHM .25W 5% CF T/R | 4 | R124, R125, R224, R225 |
| A10266-1321 | 1.3 KOHM .25W 5 CF T/R | 4 | R122, R167, R222, R267 |
| A10266-1521 | 1.5 KOHM .25W 5% CF T/R | 4 | R307, R323, R407, R423 |
| A10266-1531 | 15. KOHM .25W 5% CF T/R | 2 | R341, R441 |
| A10266-1541 | 150. KOHM .25W 5% CF T/R | 2 | R172, R272 |
| A10266-2031 | 20. KOHM .25W 5 CF T/R | 4 | R351, R358, R451, R458 |
| A10266-2051 | 2.0 MOHM .25W 5 CF T/R | 3 | R23, R322, R422 |
| A10266-2201 | 22.0 OHM .25W 5 CF T/R | 6 | R112, R135, R138, R212, R235, R238 |
| A10266-2421 | 2.4 KOHM .25W 5 CF T/R | 2 | R18, R19 |
| A10266-2721 | 2.7 KOHM .25W 5 CF T/R | 8 | R126, R127, R154, R157, R226, R227, R254, R257 |
| A10266-2731 | 27. KOHM .25W 5 CF T/R | 2 | R319, R419 |
| A10266-2741 | 270. KOHM .25W 5% CF25 T/R | 4 | R185, R199, R285, R299 |
| A10266-2751 | 2.7 MOHM .25W 5% CF T/R | 2 | R331, R431 |
| A10266-3021 | 3.0 KOHM .25W 5 CF T/R | 4 | R158, R258, R306, R406 |
| A10266-3321 | 3.3 KOHM .25W 5% CF T/R | 4 | R320, R321, R420, R421 |
| A10266-3921 | 3.9 KOHM .25W 5% CF T/R | 4 | R14, R15, R342, R442 |
| A10266-4701 | 47.0 OHM .25W 5 CF T/R | 6 | R132, R133, R232, R233, R350, R450 |
| A10266-4711 | 470. OHM .25W 5% CF T/R | 20 | R134, R234, R310, R311, R313, R315, R316, R317, R324, R368, R369, R410, R411, R413, R415, R416, R417, R424, R468, R469, |
| A10266-4721 | 4.7 KOHM .25W 5% CF T/R | 6 | R140, R161, R162, R240, R261, R262 |
| A10266-4731 | 47. KOHM .25W 5% CF25 T/R | 14 | R339, R344, R346, R353, R354, R355, R356, R439, R444, R446, R453, R454, R455, R456 |
| A10266-4741 | 470. KOHM .25W 5% CF T/R | 2 | R330, R430 |
| A10266-5111 | 510. OHM .25W 5 CF T/R | 2 | R120, R220 |
| A10266-5121 | 5.1 KOHM .25W 5 CF T/R | 4 | R326, R340, R426, R440 |
| A10266-5601 | 56.0 OHM .25W 5% CF T/R | 4 | R139, R141, R239, R241 |
| A10266-5621 | 5.6 KOHM .25W 5% CF T/R | 2 | R171, R271 |
| A10266-5641 | 560. KOHM .25W 5% CF T/R | 1 | R16 |
| A10266-6831 | 68. KOHM .25W 5% CF T/R | 4 | R128, R129, R228, R229 |
| A10266-7521 | 7.5 KOHM .25W 5% CF T/R | 2 | R327, R427 |
| A10266-8211 | 820. OHM .25W 5% CF T/R | 4 | R136, R137, R236, R237 |
| A10266-8231 | 82. KOHM .25W 5% CF T/R | 2 | R328, R428 |
| A10266-9111 | 910. OHM .25W 5 CF T/R | 1 | R11 |
| A10434-104JD | .1UF 250V 5% MTL POLY FILM T | 2 | C164, C264 |
| A10579-222KC | 2200PF 100 10% POLY FILM T/A | 4 | C175, C176, C275, C276 |

INACTIVE

For Reference Use Only

CROWN INTERNATIONAL INC.

1718 WEST MISHAWAKA ROAD ELKHART, INDIANA 46517 PHONE (219) 294-8000

| | | | | | |
|-------|---------|----------|----------|---------------|-----|
| DRAWN | JAW | 03/30/98 | DWG. NO. | SHEET 3 OF 22 | REV |
| PROJ. | MD360D0 | | 125412-3 | | (A) |

THESE DRAWINGS AND SPECIFICATIONS ARE THE PROPERTY OF CROWN INTERNATIONAL, INC. AND SHALL NOT BE REPRODUCED, COPIED, OR USED AS THE BASIS FOR THE MANUFACTURE OR SALE OF APPARATUS OR DEVICES WITHOUT PERMISSION.

PARTS LIST

| C.P.N. | DESCRIPTION | QTY | REFERENCE DESIGNATION |
|----------|------------------------------|-----|--|
| C 2851-1 | RECTIFIER, 1N4004 SILICON T/ | 11 | D1, D129, D132, D2, D229, D232, D3, D4, D5, D6, D7 |
| C 3181-2 | DIODE, 1N4148 T/R | 59 | D10, D100, D101, D102, D103, D104, D105, D106, D107, D108, D109, D11, D111, D112, D115, D116, D118, D119, D12, D121, D122, D123, D124, D125, D127, D13, D130, D131, D133, D134, D135 D200, D201, D202, D203, D204, D205, D206, D207, D208, D209, D211, D212, D215, D216, D218, D219, D221, D222, D223, D224, D225, D227, D230, D231, D233, D234, D235, D9 |
| C 3451-9 | IC SOCKET, 8PIN DIP 2-640463 | 1 | U3X |
| C 3533-4 | DIODE, 1N966B 16V ZENER T/R | 2 | D128, D228 |
| C 3578-9 | MPSA93 200V PNP T/R | 6 | Q104, Q106, Q130, Q204, Q206, Q230 |
| C 3625-8 | 2N4125 30V PNP T/R | 22 | Q100, Q101, Q114, Q116, Q118, Q120, Q122, Q123, Q124, Q125, Q129, Q200, Q201, Q214, Q216, Q218, Q220, Q222, Q223, Q224, Q225, Q229 |
| C 3786-8 | MPS4250A 40V PNP T/R | 8 | Q103, Q108, Q111, Q115, Q203, Q208, Q211, Q215 |
| C 3810-6 | MPSA42 300V NPN T/R | 6 | Q105, Q109, Q127, Q205, Q209, Q227 |
| C 4303-1 | 1000UF 35V AXIAL CAP | 2 | C1, C2 |
| C 4345-2 | LM339N VOLT COMPARATOR | 2 | U107, U207 |
| C 5061-4 | DIODE, 1N3070 10K/T&R | 8 | D110, D113, D114, D117, D210, D213, D214, D217 |
| C 5062-2 | 100KOHM LINEAR TRIMPOT | 4 | R186, R286, R300, R400 |
| C 5082-0 | DIODE, 1N4733A 5.1V ZENER T | 1 | D8 |
| C 5095-2 | MC7815CT +15V. REG | 1 | U1 |
| C 5096-0 | MC7915CT -15V. REG | 1 | U2 |
| C 5215-6 | 22. MOHM .25W 5 THICK FILM T | 4 | R121, R164, R221, R264 |
| C 5311-3 | 22UF 50V 20% NP VERT T/A | 2 | C107, C207 |
| C 5362-6 | 2.2UF 50V VERT ELECT T/A | 3 | C151, C251, C4 |
| C 6048-0 | 500 OHM PIHER TRIM | 2 | R361, R461 |
| C 6411-0 | H11C2 OPTO SCR | 2 | U106, U206 |
| C 6564-6 | 10P DBLROW UNSHRD HDR 87230- | 2 | TP100, TP200 |
| C 6781-6 | 6P3T MONO/STEREO SWITCH | 1 | S2 |
| C 6802-0 | .47UF 50V AXIAL CER T/R 474 | 2 | C152, C252 |
| C 6804-6 | .1UF 50V AXIAL CER T/R 104 | 24 | C3, C5, C134, C135, C136, C137, C138, C139, C141, C144, C145, C160, C161, C234, C235, C236, C237, C238, C239, C241, C244, C245, C267, C268 |

INACTIVE

For Reference Use Only

CROWN INTERNATIONAL INC.

1718 WEST MISHAWAKA ROAD ELKHART, INDIANA 46517 PHONE (219) 294-8000

| | | | | | |
|-------|---------|----------|----------|---------------|-----|
| DRAWN | JAW | 03/30/98 | DWG. NO. | SHEET 4 OF 22 | REV |
| PROJ. | MD360D0 | | 125412-3 | | A |

THESE DRAWINGS AND SPECIFICATIONS ARE THE PROPERTY OF CROWN INTERNATIONAL, INC. AND SHALL NOT BE REPRODUCED, COPIED, OR USED AS THE BASIS FOR THE MANUFACTURE OR SALE OF APPARATUS OR DEVICES WITHOUT PERMISSION.

PARTS LIST

| C.P.N. | DESCRIPTION | QTY | REFERENCE DESIGNATION |
|----------|------------------------------|-----|---|
| C 6805-3 | .022UF 100V AXIALCER T/R 223 | 8 | C103,C104,C115,C116,C215, C216,C265,C266 |
| C 6806-1 | .01UF 100V AXIAL CER T/R 103 | 6 | C117,C124,C131,C217,C224, C231 |
| C 6808-7 | 470.PF 100V 5% NPO AXL CER T | 2 | C120,C220 |
| C 6810-3 | 180PF 100V AXIAL CER T/R 181 | 2 | C121,C221 |
| C 6811-1 | 100PF 200V 10% NPO AXL CER T | 14 | C126,C158,C159,C162,C163, C173,C174,C226,C258,C259, C262,C263,C273,C274 |
| C 6812-9 | 47PF 200V 10% NPO AXL CER | 16 | C106,C110,C111,C112,C113, C114,C128,C133,C206,C210, C211,C212,C213,C214,C228, C233 |
| C 6813-7 | 27PF 200V 10% NPO AXIAL CER | 8 | C100,C101,C102,C130,C200, C201,C202,C230 |
| C 6814-5 | 12PF 200V AXIAL CER T/R 120 | 6 | C118,C119,C129,C218,C219, C229 |
| C 6950-7 | 82PF 200V 5% NPO AXIAL CER T | 2 | C127,C227 |
| C 7417-6 | 3300PF 100V 10% CAP | 4 | C122,C123,C222,C223 |
| C 7444-0 | LM393 DUAL COMPARATOR | 2 | U101,U201 |
| C 7458-0 | 2N4123 30V NPN T/R | 16 | Q107,Q110,Q113,Q117,Q119, Q121,Q126,Q128,Q207,Q210, Q213,Q217,Q219,Q221,Q226, Q228 |
| C 7526-4 | 3POS .1 CENTER MTA HEADER | 1 | J1 |
| C 7597-5 | J202 N-CHANNEL JFET | 2 | Q131,Q231 |
| C 7636-1 | MC33078P DUAL LOW NOISE OP A | 3 | U109,U209,U4 |
| C 7779-9 | 22. OHM .25W 5% FU/FP T/R | 8 | R309,R312,R314,R318,R409, R412,R414,R418 |
| C 7960-5 | DPDT 3POS PC SLIDE SWITCH | 1 | S1 |
| C 7964-7 | .22UF 100V AXIAL CER CAP T/R | 4 | C140,C146,C240,C246 |
| C 8182-5 | 1N753A 6.2V .5W ZENER DIODE | 2 | D120,D220 |
| C 8576-8 | 100UF 35V 10% ALUM ELECT T/A | 6 | C105,C149,C150,C205,C249, C250 |
| C 8803-6 | .047UF 50V 10%X7R AXL CER T/ | 4 | C141,C145,C241,C245 |
| C 8812-7 | 5.5" CABLE TIE | 4 | HW10,HW7,HW8,HW9 |
| C 8836-6 | 100 OHM 0.50W 5% FU/FP T/R | 4 | R152,R155,R252,R255 |
| C 8897-8 | .1UF 100V 20% Z5U RAD CER T/ | 11 | C10,C109,C125,C132,C153, C209,C225,C232,C253,C6, C9 |
| C 9079-2 | 200.OHM TOP ADJ CERMET TRIMM | 2 | R103,R203 |
| C 9464-6 | 10PF 100V 5% NPO RAD CER T/R | 2 | C108,C208 |
| C 9494-3 | HEATSINK, T0220 PLUG IN | 2 | U1X,U2X |
| C 9615-3 | 680PF 100V 5% AXL CER NPO T/ | 1 | C8 |
| C 9857-1 | LED, RED T1 .1 LEAD SPACE T/ | 4 | E100,E101,E200,E201 |
| C10208-4 | 100.UF 25V 20% RAD ELECT T/R | 5 | C171,C172,C271,C272,C7, |
| C10570-7 | 20 PIN HDR PICO FLEX TIN | 1 | J2A |

INACTIVE

For Reference Use Only

CROWN INTERNATIONAL INC.

1718 WEST MISHAWAKA ROAD ELKHART, INDIANA 46517 PHONE (219) 294-8000

| | | | | | |
|-------|---------|----------|----------|---------------|-----|
| DRAWN | JAW | 03/30/98 | DWG. NO. | SHEET 5 OF 22 | REV |
| PROJ. | MD360D0 | | 125412-3 | | (A) |

THESE DRAWINGS AND SPECIFICATIONS ARE THE PROPERTY OF CROWN INTERNATIONAL, INC. AND SHALL NOT BE REPRODUCED, COPIED, OR USED AS THE BASIS FOR THE MANUFACTURE OR SALE OF APPARATUS OR DEVICES WITHOUT PERMISSION.

PARTS LIST

| REF DES | C.P.N. | DESCRIPTION | MAP LOC. |
|---------|----------|--------------------------------|----------|
| 1 | 125414-3 | PWB, CT'10A MAIN, , , | |
| C1 | C 4303-1 | 1000UF 35V AXIAL CAP | H 4 |
| C2 | C 4303-1 | 1000UF 35V AXIAL CAP | I 4 |
| C3 | C 6804-6 | .1UF 50V AXIAL CER T/R 104 | J 5 |
| C4 | C 5362-6 | 2.2UF 50V VERT ELECT T/A | J 5 |
| C5 | C 6804-6 | .1UF 50V AXIAL CER T/R 104 | I 2 |
| C6 | C 8897-8 | .1UF 100V 20% Z5U RAD CER T/R | E 1 |
| C7 | C10208-4 | 100.UF 25V 20% RAD ELECT T/R | G 5 |
| C8 | C 9615-3 | 680PF 100V 5% AXL CER NPO T/R | E 6 |
| C9 | C 8897-8 | .1UF 100V 20% Z5U RAD CER T/R | I 6 |
| C10 | C 8897-8 | .1UF 100V 20% Z5U RAD CER T/R | H 5 |
| C100 | C 6813-7 | 27PF 200V 10% NPO AXIAL CER | J 3 |
| C101 | C 6813-7 | 27PF 200V 10% NPO AXIAL CER | J 2 |
| C102 | C 6813-7 | 27PF 200V 10% NPO AXIAL CER | J 2 |
| C103 | C 6805-3 | .022UF 100V AXIALCER T/R 223 | J 2 |
| C104 | C 6805-3 | .022UF 100V AXIALCER T/R 223 | K 3 |
| C105 | C 8576-8 | 100UF 35V 10% ALUM ELECT T/A | I 1 |
| C106 | C 6812-9 | 47PF 200V 10% NPO AXL CER | J 2 |
| C107 | C 5311-3 | 22UF 50V 20% NP VERT T/A | K 1 |
| C108 | C 9464-6 | 10PF 100V 5% NPO RAD CER T/R | K 2 |
| C109 | C 8897-8 | .1UF 100V 20% Z5U RAD CER T/R | J 2 |
| C110 | C 6812-9 | 47PF 200V 10% NPO AXL CER | K 2 |
| C111 | C 6812-9 | 47PF 200V 10% NPO AXL CER | L 3 |
| C112 | C 6812-9 | 47PF 200V 10% NPO AXL CER | L 2 |
| C113 | C 6812-9 | 47PF 200V 10% NPO AXL CER | L 3 |
| C114 | C 6812-9 | 47PF 200V 10% NPO AXL CER | L 3 |
| C115 | C 6805-3 | .022UF 100V AXIALCER T/R 223 | L 3 |
| C116 | C 6805-3 | .022UF 100V AXIALCER T/R 223 | L 2 |
| C117 | C 6806-1 | .01UF 100V AXIAL CER T/R 103 | M 3 |
| C118 | C 6814-5 | 12PF 200V AXIAL CER T/R 120 | M 2 |
| C119 | C 6814-5 | 12PF 200V AXIAL CER T/R 120 | M 3 |
| C120 | C 6808-7 | 470.PF 100V 5% NPO AXL CER T/R | P 5 |
| C121 | C 6810-3 | 180PF 100V AXIAL CER T/R 181 | M 4 |
| C122 | C 7417-6 | 3300PF 100V 10% CAP | P 5 |
| C123 | C 7417-6 | 3300PF 100V 10% CAP | O 5 |
| C124 | C 6806-1 | .01UF 100V AXIAL CER T/R 103 | K 4 |
| C125 | C 8897-8 | .1UF 100V 20% Z5U RAD CER T/R | K 4 |
| C126 | C 6811-1 | 100PF 200V 10% NPO AXL CER T/R | K 4 |
| C127 | C 6950-7 | 82PF 200V 5% NPO AXIAL CER T/R | K 4 |
| C128 | C 6812-9 | 47PF 200V 10% NPO AXL CER | K 3 |
| C129 | C 6814-5 | 12PF 200V AXIAL CER T/R 120 | K 3 |
| C130 | C 6813-7 | 27PF 200V 10% NPO AXL CER | K 3 |
| C131 | C 6806-1 | .01UF 100V AXIAL CER T/R 103 | K 3 |
| C132 | C 8897-8 | .1UF 100V 20% Z5U RAD CER T/R | K 3 |
| C133 | C 6812-9 | 47PF 200V 10% NPO AXL CER | K 3 |
| C134 | C 6804-6 | .1UF 50V AXIAL CER T/R 104 | P 3 |
| C135 | C 6804-6 | .1UF 50V AXIAL CER T/R 104 | O 3 |
| | | | |
| | | | |
| | | | |

INACTIVE

For Reference Use Only

CROWN INTERNATIONAL INC.

1718 WEST MISHAWAKA ROAD ELKHART, INDIANA 46517 PHONE (219) 294-8000

| | | | | | |
|-------|---------|----------|----------|---------------|-----|
| DRAWN | JAW | 03/30/98 | DWG. NO. | SHEET 7 OF 22 | REV |
| PROJ. | MD360D0 | | 125412-3 | | A |

THESE DRAWINGS AND SPECIFICATIONS ARE THE PROPERTY OF CROWN INTERNATIONAL, INC. AND SHALL NOT BE REPRODUCED, COPIED, OR USED AS THE BASIS FOR THE MANUFACTURE OR SALE OF APPARATUS OR DEVICES WITHOUT PERMISSION.

PARTS LIST

| REF DES | C. P. N. | DESCRIPTION | MAP LOC. |
|---------|--------------|--------------------------------|----------|
| C136 | C 6804-6 | .1UF 50V AXIAL CER T/R 104 | O 2 |
| C137 | C 6804-6 | .1UF 50V AXIAL CER T/R 104 | P 2 |
| C138 | C 6804-6 | .1UF 50V AXIAL CER T/R 104 | O 4 |
| C139 | C 6804-6 | .1UF 50V AXIAL CER T/R 104 | P 4 |
| C140 | C 7964-7 | .22UF 100V AXIAL CER CAP T/R | O 4 |
| C141 | C 6804-6 | .1UF 50V AXIAL CER T/R 104 | O 4 |
| C142 | C10588-9 | 15UF 35V 20% NP RAD ELECT T/R | N 4 |
| C143 | C10587-1 | 220UF 25V 20% NP RAD ELECT T/R | N 5 |
| C144 | C 6804-6 | .1UF 50V AXIAL CER T/R 104 | P 3 |
| C145 | C 6804-6 | .1UF 50V AXIAL CER T/R 104 | P 4 |
| C146 | C 7964-7 | .22UF 100V AXIAL CER CAP T/R | P 4 |
| C147 | C10588-9 | 15UF 35V 20% NP RAD ELECT T/R | P 4 |
| C148 | C10587-1 | 220UF 25V 20% NP RAD ELEC T/R | P 5 |
| C149 | C 8576-8 | 100UF 35V 10% ALUM ELECT T/A | M 5 |
| C150 | C 8576-8 | 100UF 35V 10% ALUM ELECT T/A | M 4 |
| C151 | C 5362-6 | 2.2UF 50V VERT ELECT T/A | L 5 |
| C152 | C 6802-0 | 47UF 50V AXIAL CER T/R 474 | L 5 |
| C153 | C 8897-8 | .1UF 100V 20% Z5U RAD CER T/R | K 5 |
| C158 | C 6811-1 | 100PF 200V 10% NPO AXL CER T/R | N 4 |
| C159 | C 6811-1 | 100PF 200V 10% NPO AXL CER T/R | N 3 |
| C160 | C 6804-6 | .1UF 50V AXIAL CER T/R 104 | N 4 |
| C161 | C 6804-6 | .1UF 50V AXIAL CER T/R 104 | N 3 |
| C162 | C 6811-1 | 100PF 200V 10% NPO AXL CER T/R | I 4 |
| C163 | C 6811-1 | 100PF 200V 10% NPO AXL CER T/R | I 4 |
| C164 | A10434-104JD | .1UF 250V 5% MTL POLY FILM T/A | O 6 |
| C171 | C10208-4 | 100.UF 25V 20% RAD ELECT T/R | J 1 |
| C172 | C10208-4 | 100.UF 25V 20% RAD ELECT T/R | J 1 |
| C173 | C 6811-1 | 100PF 200V 10% NPO AXL CER T/R | N 3 |
| C174 | C 6811-1 | 100PF 200V 10% NPO AXL CER T/R | N 3 |
| C175 | A10579-222KC | 2200PF 100 10% POLY FILM T/A | N 2 |
| C176 | A10579-222KC | 2200PF 100 10% POLY FILM T/A | P 2 |
| C200 | C 6813-7 | 27PF 200V 10% NPO AXIAL CER | G 3 |
| C201 | C 6813-7 | 27PF 200V 10% NPO AXIAL CER | G 2 |
| C202 | C 6813-7 | 27PF 200V 10% NPO AXIAL CER | G 2 |
| C205 | C 8576-8 | 100UF 35V 10% ALUM ELECT T/A | H 1 |
| C206 | C 6812-9 | 47PF 200V 10% NPO AXL CER | G 2 |
| C207 | C 5311-3 | 22UF 50V 20% NP VERT T/A | F 1 |
| C208 | C 9464-6 | 10PF 100V 5% NPO RAD CER T/R | F 2 |
| C209 | C 8897-8 | .1UF 100V 20% Z5U RAD CER T/R | G 2 |
| C210 | C 6812-9 | 47PF 200V 10% NPO AXL CER | F 2 |
| C211 | C 6812-9 | 47PF 200V 10% NPO AXL CER | E 3 |
| C212 | C 6812-9 | 47PF 200V 10% NPO AXL CER | E 2 |
| C213 | C 6812-9 | 47PF 200V 10% NPO AXL CER | E 3 |
| C214 | C 6812-9 | 47PF 200V 10% NPO AXL CER | E 3 |
| C215 | C 6805-3 | .022UF 100V AXIALCER T/R 223 | E 3 |
| C216 | C 6805-3 | .022UF 100V AXIALCER T/R 223 | E 2 |
| C217 | C 6806-1 | .01UF 100V AXIAL CER T/R 103 | D 3 |
| C218 | C 6814-5 | 12PF 200V AXIAL CER T/R 120 | D 2 |
| C219 | C 6814-5 | 12PF 200V AXIAL CER T/R 120 | D 3 |

INACTIVE

For Reference Use Only

CROWN INTERNATIONAL INC.

1718 WEST MISHAWAKA ROAD ELKHART, INDIANA 46517 PHONE (219) 294-8000

| | | | | | |
|-------|---------|----------|----------|---------------|-----|
| DRAWN | JAW | 03/30/98 | DWG. NO. | SHEET 8 OF 22 | REV |
| PROJ. | MD360D0 | | 125412-3 | | (A) |

THESE DRAWINGS AND SPECIFICATIONS ARE THE PROPERTY OF CROWN INTERNATIONAL, INC. AND SHALL NOT BE REPRODUCED, COPIED, OR USED AS THE BASIS FOR THE MANUFACTURE OR SALE OF APPARATUS OR DEVICES WITHOUT PERMISSION.

PARTS LIST

| REF DES | C.P.N. | DESCRIPTION | MAP LOC. |
|---------|--------------|--------------------------------|----------|
| C220 | C 6808-7 | 470.PF 100V 5% NPO AXL CER T/R | A 5 |
| C221 | C 6810-3 | 180PF 100V AXIAL CER T/R 181 | D 4 |
| C222 | C 7417-6 | 3300PF 100V 10% CAP | A 5 |
| C223 | C 7417-6 | 3300PF 100V 10% CAP | B 5 |
| C224 | C 6806-1 | .01UF 100V AXIAL CER T/R 103 | F 4 |
| C225 | C 8897-8 | .1UF 100V 20% Z5U RAD CER T/R | F 4 |
| C226 | C 6811-1 | 100PF 200V 10% NPO AXL CER T/R | F 4 |
| C227 | C 6950-7 | 82PF 200V 5% NPO AXIAL CER T/R | F 4 |
| C228 | C 6812-9 | 47PF 200V 10% NPO AXL CER | F 3 |
| C229 | C 6814-5 | 12PF 200V AXIAL CER T/R 120 | F 3 |
| C230 | C 6813-7 | 27PF 200V 10% NPO AXL CER | F 3 |
| C231 | C 6806-1 | .01UF 100V AXIAL CER T/R 103 | F 3 |
| C232 | C 8897-8 | .1UF 100V 20% Z5U RAD CER T/R | F 3 |
| C233 | C 6812-9 | 47PF 200V 10% NPO AXL CER | F 3 |
| C234 | C 6804-6 | .1UF 50V AXIAL CER T/R 104 | B 3 |
| C235 | C 6804-6 | .1UF 50V AXIAL CER T/R 104 | A 3 |
| C236 | C 6804-6 | .1UF 50V AXIAL CER T/R 104 | A 2 |
| C237 | C 6804-6 | .1UF 50V AXIAL CER T/R 104 | B 2 |
| C238 | C 6804-6 | .1UF 50V AXIAL CER T/R 104 | A 4 |
| C239 | C 6804-6 | .1UF 50V AXIAL CER T/R 104 | B 4 |
| C240 | C 7964-7 | .22UF 100V AXIAL CER CAP T/R | A 4 |
| C241 | C 6804-6 | .1UF 50V AXIAL CER T/R 104 | A 4 |
| C242 | C10588-9 | 15UF 35V 20% NP RAD ELECT T/R | A 4 |
| C243 | C10587-1 | 220UF 25V 20% NP RAD ELEC T/R | A 4 |
| C244 | C 6804-6 | .1UF 50V AXIAL CER T/R 104 | B 3 |
| C245 | C 6804-6 | .1UF 50V AXIAL CER T/R 104 | B 4 |
| C246 | C 7964-7 | .22UF 100V AXIAL CER CAP T/R | B 4 |
| C247 | C10588-9 | 15UF 35V 20% NP RAD ELECT T/R | C 4 |
| C248 | C10587-1 | 220UF 25V 20% NP RAD ELEC T/R | C 5 |
| C249 | C 8576-8 | 100UF 35V 10% ALUM ELECT T/A | D 5 |
| C250 | C 8576-8 | 100UF 35V 10% ALUM ELECT T/A | D 4 |
| C251 | C 5362-6 | 2.2UF 50V VERT ELECT T/A | E 5 |
| C252 | C 6802-0 | .47UF 50V AXIAL CER T/R 474 | E 5 |
| C253 | C 8897-8 | .1UF 100V 20% Z5U RAD CER T/R | F 5 |
| C258 | C 6811-1 | 100PF 200V 10% NPO AXL CER T/R | C 4 |
| C259 | C 6811-1 | 100PF 200V 10% NPO AXL CER T/R | C 3 |
| C262 | C 6811-1 | 100PF 200V 10% NPO AXL CER T/R | H 4 |
| C263 | C 6811-1 | 100PF 200V 10% NPO AXL CER T/R | H 4 |
| C264 | A10434-104JD | .1UF 250V 5% MTL POLY FILM T/A | B 6 |
| C265 | C 6805-3 | .022UF 100V AXIALCER T/R 223 | F 3 |
| C266 | C 6805-3 | .022UF 100V AXIALCER T/R 223 | G 2 |
| C267 | C 6804-6 | .1UF 50V AXIAL CER T/R 104 | C 3 |
| C268 | C 6804-6 | .1UF 50V AXIAL CER T/R 104 | C 3 |
| C271 | C10208-4 | 100.UF 25V 20% RAD ELECT T/R | G 1 |
| C272 | C10208-4 | 100.UF 25V 20% RAD ELECT T/R | G 1 |
| C273 | C 6811-1 | 100PF 200V 10% NPO AXL CER T/R | C 3 |
| C274 | C 6811-1 | 100PF 200V 10% NPO AXL CER T/R | C 2 |
| C275 | A10579-222KC | 2200PF 100 10% POLY FILM T/A | A 2 |
| C276 | A10579-222KC | 2200PF 100 10% POLY FILM T/A | B 2 |

INACTIVE

For Reference Use Only

CROWN INTERNATIONAL INC.

1718 WEST MISHAWAKA ROAD ELKHART, INDIANA 46517

PHONE (219) 294-8000

DRAWN JAW 03/30/98 DWG. NO.

SHEET 9 OF 22

REV

PROJ. MD360D0

125412-3

A

THESE DRAWINGS AND SPECIFICATIONS ARE THE PROPERTY OF CROWN INTERNATIONAL, INC. AND SHALL NOT BE REPRODUCED, COPIED, OR USED AS THE BASIS FOR THE MANUFACTURE OR SALE OF APPARATUS OR DEVICES WITHOUT PERMISSION.

PARTS LIST

| REF DES | C.P.N. | DESCRIPTION | MAP LOC. |
|---------|----------|-------------------------------|----------|
| D1 | C 2851-1 | RECTIFIER, 1N4004 SILICON T/R | G 4 |
| D2 | C 2851-1 | RECTIFIER, 1N4004 SILICON T/R | G 5 |
| D3 | C 2851-1 | RECTIFIER, 1N4004 SILICON T/R | G 4 |
| D4 | C 2851-1 | RECTIFIER, 1N4004 SILICON T/R | G 5 |
| D5 | C 2851-1 | RECTIFIER, 1N4004 SILICON T/R | J 4 |
| D6 | C 2851-1 | RECTIFIER, 1N4004 SILICON T/R | J 4 |
| D7 | C 2851-1 | RECTIFIER, 1N4004 SILICON T/R | J 5 |
| D8 | C 5082-0 | DIODE, 1N4733A 5.1V ZENER T/R | I 2 |
| D9 | C 3181-2 | DIODE, 1N4148 T/R | H 6 |
| D10 | C 3181-2 | DIODE, 1N4148 T/R | H 6 |
| D11 | C 3181-2 | DIODE, 1N4148 T/R | H 6 |
| D12 | C 3181-2 | DIODE, 1N4148 T/R | H 6 |
| D13 | C 3181-2 | DIODE, 1N4148 T/R | I 6 |
| D100 | C 3181-2 | DIODE, 1N4148 T/R | K 2 |
| D101 | C 3181-2 | DIODE, 1N4148 T/R | K 2 |
| D102 | C 3181-2 | DIODE, 1N4148 T/R | L 3 |
| D103 | C 3181-2 | DIODE, 1N4148 T/R | L 2 |
| D104 | C 3181-2 | DIODE, 1N4148 T/R | M 3 |
| D105 | C 3181-2 | DIODE, 1N4148 T/R | M 3 |
| D106 | C 3181-2 | DIODE, 1N4148 T/R | M 3 |
| D107 | C 3181-2 | DIODE, 1N4148 T/R | M 3 |
| D108 | C 3181-2 | DIODE, 1N4148 T/R | M 2 |
| D109 | C 3181-2 | DIODE, 1N4148 T/R | M 2 |
| D110 | C 5061-4 | DIODE, 1N3070 10K/T&R | M 2 |
| D111 | C 3181-2 | DIODE, 1N4148 T/R | O 5 |
| D112 | C 3181-2 | DIODE, 1N4148 T/R | P 5 |
| D113 | C 5061-4 | DIODE, 1N3070 10K/T&R | M 3 |
| D114 | C 5061-4 | DIODE, 1N3070 10K/T&R | K 4 |
| D115 | C 3181-2 | DIODE, 1N4148 T/R | K 4 |
| D116 | C 3181-2 | DIODE, 1N4148 T/R | K 3 |
| D117 | C 5061-4 | DIODE, 1N3070 10K/T&R | K 3 |
| D118 | C 3181-2 | DIODE, 1N4148 T/R | J 3 |
| D119 | C 3181-2 | DIODE, 1N4148 T/R | J 3 |
| D120 | C 8182-5 | 1N753A 6.2V .5W ZENER DIODE | O 3 |
| D121 | C 3181-2 | DIODE, 1N4148 T/R | L 5 |
| D122 | C 3181-2 | DIODE, 1N4148 T/R | L 5 |
| D123 | C 3181-2 | DIODE, 1N4148 T/R | L 6 |
| D124 | C 3181-2 | DIODE, 1N4148 T/R | L 6 |
| D125 | C 3181-2 | DIODE, 1N4148 T/R | L 6 |
| D127 | C 3181-2 | DIODE, 1N4148 T/R | L 6 |
| D128 | C 3533-4 | DIODE, 1N966B 16V ZENER T/R | L 5 |
| D129 | C 2851-1 | RECTIFIER, 1N4004 SILICON T/R | L 5 |
| D130 | C 3181-2 | DIODE, 1N4148 T/R | K 4 |
| D131 | C 3181-2 | DIODE, 1N4148 T/R | K 3 |
| D132 | C 2851-1 | RECTIFIER, 1N4004 SILICON T/R | L 5 |
| D133 | C 3181-2 | DIODE, 1N4148 T/R | J 1 |
| D134 | C 3181-2 | DIODE, 1N4148 T/R | J 2 |
| D135 | C 3181-2 | DIODE, 1N4148 T/R | K 5 |
| | | | |
| | | | |

INACTIVE

For Reference Use Only

CROWN INTERNATIONAL INC.

1718 WEST MISHAWAKA ROAD ELKHART, INDIANA 46517 PHONE (219) 294-8000

| | | | | | |
|-------|---------|----------|----------|----------------|-----|
| DRAWN | JAW | 03/30/98 | DWG. NO. | SHEET 10 OF 22 | REV |
| PROJ. | MD36000 | | 125412-3 | | (A) |

THESE DRAWINGS AND SPECIFICATIONS ARE THE PROPERTY OF CROWN INTERNATIONAL, INC. AND SHALL NOT BE REPRODUCED, COPIED, OR USED AS THE BASIS FOR THE MANUFACTURE OR SALE OF APPARATUS OR DEVICES WITHOUT PERMISSION.

PARTS LIST

| REF DES | C.P.N. | DESCRIPTION | MAP LOC. |
|---------|----------|---------------------------|----------|
| HW9 | C 8812-7 | 5.5" CABLE TIE | N 6 |
| HW10 | C 8812-7 | 5.5" CABLE TIE | P 6 |
| J1 | C 7526-4 | 3POS .1 CENTER MTA HEADER | I 6 |
| J2A | C10570-7 | 20 PIN HDR PICOFLEX TIN | I 3 |
| J2B | C10571-5 | 18 PIN HDR PICOFLEX TIN | I 2 |
| J700 | D 8681-5 | CABLE, 10 INCH 12 PIN MTA | P 6 |
| J701 | D 8680-7 | CABLE, 6 INCH 12 PIN MTA | N 6 |
| J800 | D 8680-7 | CABLE, 6 INCH 12 PIN MTA | B 6 |
| J801 | D 8681-5 | CABLE, 10 INCH 12 PIN MTA | A 6 |
| J901X | 100375-1 | HDR, . 14PIN, | H 4 |
| N100 | D 6082-8 | RESISTOR NETWORK-C | L 3 |
| N200 | D 6082-8 | RESISTOR NETWORK-C | E 3 |
| Q100 | C 3625-8 | 2N4125 30V PNP T/R | K 2 |
| Q101 | C 3625-8 | 2N4125 30V PNP T/R | K 2 |
| Q102 | D 2961-7 | SPS8010 60V NPN T/R | M 4 |
| Q103 | C 3786-8 | MPS4250A 40V PNP T/R | M 2 |
| Q104 | C 3578-9 | MPSA93 200V PNP T/R | M 3 |
| Q105 | C 3810-6 | MPSA42 300V NPN T/R | M 2 |
| Q106 | C 3578-9 | MPSA93 200V PNP T/R | M 2 |
| Q107 | C 7458-0 | 2N4123 30V NPN T/R | O 5 |
| Q108 | C 3786-8 | MPS4250A 40V PNP T/R | O 5 |
| Q109 | C 3810-6 | MPSA42 300V NPN T/R | M 4 |
| Q110 | C 7458-0 | 2N4123 30V NPN T/R | O 5 |
| Q111 | C 3786-8 | MPS4250A 40V PNP T/R | O 5 |
| Q112 | D 2962-5 | MPSA18 45V NPN T/R | K 4 |
| Q113 | C 7458-0 | 2N4123 30V NPN T/R | J 4 |
| Q114 | C 3625-8 | 2N4125 30V PNP T/R | J 3 |
| Q115 | C 3786-8 | MPS4250A 40V PNP T/R | K 3 |
| Q116 | C 3625-8 | 2N4125 30V PNP T/R | O 1 |
| Q117 | C 7458-0 | 2N4123 30V NPN T/R | O 1 |
| Q118 | C 3625-8 | 2N4125 30V PNP T/R | M 5 |
| Q119 | C 7458-0 | 2N4123 30V NPN T/R | M 5 |
| Q120 | C 3625-8 | 2N4125 30V PNP T/R | M 4 |
| Q121 | C 7458-0 | 2N4123 30V NPN T/R | M 4 |
| Q122 | C 3625-8 | 2N4125 30V PNP T/R | M 4 |
| Q123 | C 3625-8 | 2N4125 30V PNP T/R | M 5 |
| Q124 | C 3625-8 | 2N4125 30V PNP T/R | M 4 |
| Q125 | C 3625-8 | 2N4125 30V PNP T/R | M 4 |
| Q126 | C 7458-0 | 2N4123 30V NPN T/R | L 4 |
| Q127 | C 3810-6 | MPSA42 300V NPN T/R | K 4 |
| Q128 | C 7458-0 | 2N4123 30V NPN T/R | M 4 |
| Q129 | C 3625-8 | 2N4125 30V PNP T/R | M 4 |
| Q130 | C 3578-9 | MPSA93 200V PNP T/R | L 4 |
| Q131 | C 7597-5 | J202 N-CHANNEL JFET | J 6 |
| Q200 | C 3625-8 | 2N4125 30V PNP T/R | F 2 |
| Q201 | C 3625-8 | 2N4125 30V PNP T/R | F 2 |
| Q202 | D 2961-7 | SPS8010 60V NPN T/R | D 4 |
| | | | |
| | | | |
| | | | |

INACTIVE

For Reference Use Only

CROWN INTERNATIONAL INC.

1718 WEST MISHAWAKA ROAD ELKHART, INDIANA 46517 PHONE (219) 294-8000

| | | | | | |
|-------|---------|----------|----------|----------------|-----|
| DRAWN | JAW | 03/30/98 | DWG. NO. | SHEET 12 OF 22 | REV |
| PROJ. | MD36000 | | 125412-3 | | (A) |

THESE DRAWINGS AND SPECIFICATIONS ARE THE PROPERTY OF CROWN INTERNATIONAL, INC. AND SHALL NOT BE REPRODUCED, COPIED, OR USED AS THE BASIS FOR THE MANUFACTURE OR SALE OF APPARATUS OR DEVICES WITHOUT PERMISSION.

PARTS LIST

| REF DES | C.P.N. | DESCRIPTION | MAP LOC. |
|---------|--------------|--------------------------|----------|
| Q203 | C 3786-8 | MPS4250A 40V PNP T/R | D 2 |
| Q204 | C 3578-9 | MPSA93 200V PNP T/R | D 3 |
| Q205 | C 3810-6 | MPSA42 300V NPN T/R | C 2 |
| Q206 | C 3578-9 | MPSA93 200V PNP T/R | C 2 |
| Q207 | C 7458-0 | 2N4123 30V NPN T/R | A 5 |
| Q208 | C 3786-8 | MPS4250A 40V PNP T/R | A 5 |
| Q209 | C 3810-6 | MPSA42 300V NPN T/R | D 4 |
| Q210 | C 7458-0 | 2N4123 30V NPN T/R | A 5 |
| Q211 | C 3786-8 | MPS4250A 40V PNP T/R | B 5 |
| Q212 | D 2962-5 | MPSA18 45V NPN T/R | F 4 |
| Q213 | C 7458-0 | 2N4123 30V NPN T/R | G 4 |
| Q214 | C 3625-8 | 2N4125 30V PNP T/R | G 3 |
| Q215 | C 3786-8 | MPS4250A 40V PNP T/R | F 3 |
| Q216 | C 3625-8 | 2N4125 30V PNP T/R | B 1 |
| Q217 | C 7458-0 | 2N4123 30V NPN T/R | B 1 |
| Q218 | C 3625-8 | 2N4125 30V PNP T/R | C 5 |
| Q219 | C 7458-0 | 2N4123 30V NPN T/R | C 5 |
| Q220 | C 3625-8 | 2N4125 30V PNP T/R | C 4 |
| Q221 | C 7458-0 | 2N4123 30V NPN T/R | C 4 |
| Q222 | C 3625-8 | 2N4125 30V PNP T/R | C 4 |
| Q223 | C 3625-8 | 2N4125 30V PNP T/R | D 5 |
| Q224 | C 3625-8 | 2N4125 30V PNP T/R | D 4 |
| Q225 | C 3625-8 | 2N4125 30V PNP T/R | D 4 |
| Q226 | C 7458-0 | 2N4123 30V NPN T/R | E 4 |
| Q227 | C 3810-6 | MPSA42 300V NPN T/R | F 4 |
| Q228 | C 7458-0 | 2N4123 30V NPN T/R | D 4 |
| Q229 | C 3625-8 | 2N4125 30V PNP T/R | D 4 |
| Q230 | C 3578-9 | MPSA93 200V PNP T/R | E 4 |
| Q231 | C 7597-5 | J202 N-CHANNEL JFET | G 6 |
| R1 | A10265-46421 | 46.4 KOHM .25W 1% MF T/R | E 2 |
| R2 | A10265-53621 | 53.6 KOHM .25W 1% MF T/R | F 2 |
| R4 | A10265-10031 | 100. KOHM .25W 1 MF T/R | G 5 |
| R5 | A10265-24921 | 24.9 KOHM .25W 1% MF T/R | G 5 |
| R6 | A10265-24921 | 24.9 KOHM .25W 1% MF T/R | F 5 |
| R7 | A10265-10031 | 100. KOHM .25W 1 MF T/R | F 5 |
| R8 | A10266-1051 | 1.0 MOHM .25W 5 CF T/R | H 2 |
| R9 | A10266-1051 | 1.0 MOHM .25W 5 CF T/R | H 2 |
| R10 | A10266-1051 | 1.0 MOHM .25W 5 CF T/R | H 2 |
| R11 | A10266-9111 | 910. OHM .25W 5 CF T/R | I 2 |
| R12 | A10124-24 | WIRE, #24 SOLID BUS | J 6 |
| R13 | A10124-24 | WIRE, #24 SOLID BUS | H 6 |
| R14 | A10266-3921 | 3.9 KOHM .25W 5% CF T/R | G 5 |
| R15 | A10266-3921 | 3.9 KOHM .25W 5% CF T/R | G 6 |
| R16 | A10266-5641 | 560. KOHM .25W 5% CF T/R | G 6 |
| R17 | A10266-1051 | 1.0 MOHM .25W 5 CF T/R | E 6 |
| R18 | A10266-2421 | 2.4 KOHM .25W 5 CF T/R | E 6 |
| R19 | A10266-2421 | 2.4 KOHM .25W 5 CF T/R | E 6 |
| | | | |
| | | | |
| | | | |

INACTIVE

For Reference Use Only

CROWN INTERNATIONAL INC.

1718 WEST MISHAWAKA ROAD ELKHART, INDIANA 46517 PHONE (219) 294-8000

| | | | | | |
|-------|---------|----------|----------|----------------|-----|
| DRAWN | JAW | 03/30/98 | DWG. NO. | SHEET 13 OF 22 | REV |
| PROJ. | MD360D0 | | 125412-3 | | (A) |

THESE DRAWINGS AND SPECIFICATIONS ARE THE PROPERTY OF CROWN INTERNATIONAL, INC. AND SHALL NOT BE REPRODUCED, COPIED, OR USED AS THE BASIS FOR THE MANUFACTURE OR SALE OF APPARATUS OR DEVICES WITHOUT PERMISSION.

PARTS LIST

| REF DES | C. P. N. | DESCRIPTION | MAP LOC. |
|---------|--------------|--------------------------------|----------|
| R20 | A10266-1041 | 100. KOHM .25W 5% CF25 T/R | E 6 |
| R21 | A10266-1041 | 100. KOHM .25W 5% CF25 T/R | E 6 |
| R22 | A10266-1051 | 1.0 MOHM .25W 5 CF T/R | H 5 |
| R23 | A10266-2051 | 2.0 MOHM .25W 5 CF T/R | H 5 |
| R24 | A10266-1031 | 10. KOHM .25W 5% CF T/R | I 6 |
| R25 | A10265-10011 | 1.0 KOHM .25W 1 MF T/R | I 6 |
| R100 | A10265-10021 | 10. KOHM .25W 1 MF T/R | J 3 |
| R101 | A10265-10021 | 10. KOHM .25W 1 MF T/R | J 3 |
| R102 | A10265-10021 | 10. KOHM .25W 1 MF T/R | J 3 |
| R103 | C 9079-2 | 200.OHM TOP ADJ CERMET TRIMMER | I 2 |
| R104 | A10265-10021 | 10. KOHM .25W 1 MF T/R | J 2 |
| R105 | A10265-49911 | 4.99KOHM .25W 1 MF T/R | I 3 |
| R106 | A10265-49911 | 4.99KOHM .25W 1 MF T/R | I 3 |
| R107 | 125931-1 | POT. 5KOHM 10% LIN 21 DNT | J 2 |
| R108 | A10265-11821 | 11.8 KOHM 0.25W 1% MF T/R | I 1 |
| R109 | A10265-24921 | 24.9 KOHM .25W 1% MF T/R | I 1 |
| R110 | A10265-69811 | 6.98 KOHM .25W 1% MF T/R | I 1 |
| R111 | A10265-24921 | 24.9 KOHM .25W 1% MF T/R | K 2 |
| R112 | A10266-2201 | 22.0 OHM .25W 5 CF T/R | J 2 |
| R113 | A10265-49911 | 4.99KOHM .25W 1 MF T/R | K 2 |
| R114 | A10265-10031 | 100. KOHM .25W 1 MF T/R | K 2 |
| R115 | A10265-15031 | 150 KOHM .25 1% MF T/R | J 4 |
| R116 | A10265-10721 | 10.7KOHM .25W 1% MF T/R | I 4 |
| R117 | A10265-20031 | 200.KOHM .25W 1 MF T/R | I 3 |
| R118 | A10265-10521 | 10.5KOHM .25W 1% MF T/R | I 3 |
| R119 | A10265-10031 | 100. KOHM .25W 1 MF T/R | K 2 |
| R120 | A10266-5111 | 510. OHM .25W 5 CF T/R | K 2 |
| R121 | C 5215-6 | 22. MOHM .25W 5 THICK FILM T/R | K 2 |
| R122 | A10266-1321 | 1.3 KOHM .25W 5 CF T/R | K 2 |
| R123 | A10265-49911 | 4.99KOHM .25W 1 MF T/R | K 2 |
| R124 | A10266-1231 | 12.KOHM .25W 5% CF T/R | L 3 |
| R125 | A10266-1231 | 12.KOHM .25W 5% CF T/R | L 2 |
| R126 | A10266-2721 | 2.7 KOHM .25W 5 CF T/R | L 3 |
| R127 | A10266-2721 | 2.7 KOHM .25W 5 CF T/R | L 2 |
| R128 | A10266-6831 | 68. KOHM .25W 5% CF T/R | L 3 |
| R129 | A10266-6831 | 68. KOHM .25W 5% CF T/R | L 3 |
| R130 | A10265-10031 | 100. KOHM .25W 1 MF T/R | L 3 |
| R131 | A10265-10031 | 100. KOHM .25W 1 MF T/R | L 2 |
| R132 | A10266-4701 | 47.0 OHM .25W 5 CF T/R | L 4 |
| R133 | A10266-4701 | 47.0 OHM .25W 5 CF T/R | L 2 |
| R134 | A10266-4711 | 470. OHM .25W 5% CF T/R | M 3 |
| R135 | A10266-2201 | 22.0 OHM .25W 5 CF T/R | M 3 |
| R136 | A10266-8211 | 820. OHM .25W 5% CF T/R | M 3 |
| R137 | A10266-8211 | 820. OHM .25W 5% CF T/R | M 2 |
| R138 | A10266-2201 | 22.0 OHM .25W 5 CF T/R | M 2 |
| R139 | A10266-5601 | 56.0 OHM .25W 5% CF T/R | M 2 |
| R140 | A10266-4721 | 4.7 KOHM .25W 5% CF T/R | P 5 |
| | | | |
| | | | |
| | | | |

INACTIVE

For Reference Use Only

CROWN INTERNATIONAL INC.

1718 WEST MISHAWAKA ROAD ELKHART, INDIANA 46517 PHONE (219) 294-8000

| | | | | | |
|-------|---------|----------|----------|----------------|-----|
| DRAWN | JAW | 03/30/98 | DWG. NO. | SHEET 14 OF 22 | REV |
| PROJ. | MD360D0 | | 125412-3 | | (A) |

THESE DRAWINGS AND SPECIFICATIONS ARE THE PROPERTY OF CROWN INTERNATIONAL, INC. AND SHALL NOT BE REPRODUCED, COPIED, OR USED AS THE BASIS FOR THE MANUFACTURE OR SALE OF APPARATUS OR DEVICES WITHOUT PERMISSION.

PARTS LIST

| REF DES | C. P. N. | DESCRIPTION | MAP LOC. |
|---------|--------------|--------------------------------|----------|
| R141 | A10266-5601 | 56.0 OHM .25W 5% CF T/R | M 4 |
| R142 | A10265-66501 | 665. OHM .25W 1 MF T/R | O 5 |
| R143 | A10265-27401 | 274. OHM .25W 1% MF T/R | P 5 |
| R144 | A10265-27401 | 274. OHM .25W 1% MF T/R | O 5 |
| R145 | A10265-66501 | 665. OHM .25W 1 MF T/R | O 5 |
| R146 | A10265-66501 | 665 OHM 0.25W 1% MF T/R | O 5 |
| R147 | A10265-66501 | 665 OHM 0.25W 1% MF T/R | O 5 |
| R148 | A10266-1041 | 100. KOHM .25W 5% CF25 T/R | P 5 |
| R149 | A10265-35711 | 3.57KOHM .25W 1 MF T/R | P 5 |
| R150 | A10265-35711 | 3.57KOHM .25W 1 MF T/R | O 5 |
| R151 | A10266-1041 | 100. KOHM .25W 5% CF25 T/R | O 5 |
| R152 | C 8836-6 | 100 OHM 0.50W 5% FU/FP T/R | K 4 |
| R153 | A10266-1031 | 10. KOHM .25W 5% CF T/R | K 4 |
| R154 | A10266-2721 | 2.7 KOHM .25W 5 CF T/R | K 3 |
| R155 | C 8836-6 | 100 OHM 0.50W 5% FU/FP T/R | K 3 |
| R156 | A10266-1031 | 10. KOHM .25W 5% CF T/R | K 3 |
| R157 | A10266-2721 | 2.7 KOHM .25W 5 CF T/R | K 3 |
| R158 | A10266-3021 | 3.0 KOHM .25W 5 CF T/R | J 4 |
| R159 | A10265-10011 | 1.0 KOHM .25W 1 MF T/R | K 3 |
| R160 | A10265-10021 | 10. KOHM .25W 1 MF T/R | J 3 |
| R161 | A10266-4721 | 4.7 KOHM .25W 5% CF T/R | J 3 |
| R162 | A10266-4721 | 4.7 KOHM .25W 5% CF T/R | J 3 |
| R163 | A10265-10021 | 10. KOHM .25W 1 MF T/R | J 3 |
| R164 | C 5215-6 | 22. MOHM .25W 5 THICK FILM T/R | K 3 |
| R165 | A10265-27431 | 274.KOHM .25W 1% MF T/R | J 4 |
| R166 | A10265-95311 | 9.53KOHM .25W 1% MF T/R | I 4 |
| R167 | A10266-1321 | 1.3 KOHM .25W 5 CF T/R | K 3 |
| R168 | A10124-24 | WIRE, #24 SOLID BUS | K 3 |
| R169 | A10265-27431 | 274.KOHM .25W 1% MF T/R | J 2 |
| R170 | A10265-95311 | 9.53KOHM .25W 1% MF T/R | J 2 |
| R171 | A10266-5621 | 5.6 KOHM .25W 5% CF T/R | P 3 |
| R172 | A10266-1541 | 150. KOHM .25W 5% CF T/R | O 3 |
| R173 | A10265-17821 | 17.8KOHM .25W 1% MF T/R | O 3 |
| R174 | A10265-24921 | 24.9 KOHM .25W 1% MF T/R | O 3 |
| R175 | A10265-49911 | 4.99KOHM .25W 1 MF T/R | O 3 |
| R176 | A10265-68111 | 6.81KOHM .25W 1% MF T/R | O 3 |
| R177 | A10265-33221 | 33.2KOHM .25W 1% MF T/R | O 4 |
| R178 | A10265-10021 | 10. KOHM .25W 1 MF T/R | O 4 |
| R179 | A10265-20011 | 2.0 KOHM .25W 1% MF T/R | O 3 |
| R180 | A10265-20011 | 2.0 KOHM .25W 1% MF T/R | O 3 |
| R181 | A10265-10001 | 100. OHM .25W 1 MF T/R | O 2 |
| R182 | A10265-51121 | 51.1 KOHM .25W 1% MF T/R | O 2 |
| R183 | A10265-68111 | 6.81KOHM .25W 1% MF T/R | O 2 |
| R184 | A10265-10001 | 100. OHM .25W 1 MF T/R | O 2 |
| R185 | A10266-2741 | 270. KOHM .25W 5% CF25 T/R | O 2 |
| R186 | C 5062-2 | 100KOHM LINEAR TRIMPOT | O 2 |
| R187 | A10265-14321 | 14.3 KOHM 0.25W 1% MF T/R | O 4 |
| | | | |
| | | | |
| | | | |

INACTIVE

For Reference Use Only

CROWN INTERNATIONAL INC.

1718 WEST MISHAWAKA ROAD ELKHART, INDIANA 46517 PHONE (219) 294-8000

| | | | | | |
|-------|---------|----------|----------|----------------|-----|
| DRAWN | JAW | 03/30/98 | DWG. NO. | SHEET 15 OF 22 | REV |
| PROJ. | MD360D0 | | 125412-3 | | A |

THESE DRAWINGS AND SPECIFICATIONS ARE THE PROPERTY OF CROWN INTERNATIONAL, INC. AND SHALL NOT BE REPRODUCED, COPIED, OR USED AS THE BASIS FOR THE MANUFACTURE OR SALE OF APPARATUS OR DEVICES WITHOUT PERMISSION.

PARTS LIST

| REF DES | C.P.N. | DESCRIPTION | MAP LOC. |
|---------|--------------|--------------------------------|----------|
| R188 | A10265-32421 | 32.4K OHM 0.25W 1% MF T/R | O 4 |
| R189 | A10265-19121 | 19.1K OHM 0.25W 1% MF T/R | O 4 |
| R190 | A10265-33221 | 33.2KOHM .25W 1% MF T/R | P 3 |
| R191 | A10265-10021 | 10. KOHM .25W 1 MF T/R | P 3 |
| R192 | A10265-20011 | 2.0 KOHM .25W 1% MF T/R | P 3 |
| R193 | A10265-20011 | 2.0 KOHM .25W 1% MF T/R | P 4 |
| R194 | A10265-68111 | 6.81KOHM .25W 1% MF T/R | P 3 |
| R195 | A10265-10001 | 100. OHM .25W 1 MF T/R | P 2 |
| R196 | A10265-51121 | 51.1 KOHM .25W 1% MF T/R | P 2 |
| R197 | A10265-68111 | 6.81KOHM .25W 1% MF T/R | P 2 |
| R198 | A10265-10001 | 100. OHM .25W 1 MF T/R | P 2 |
| R199 | A10266-2741 | 270. KOHM .25W 5% CF25 T/R | P 2 |
| R200 | A10265-10021 | 10. KOHM .25W 1 MF T/R | G 3 |
| R201 | A10265-10021 | 10. KOHM .25W 1 MF T/R | G 3 |
| R202 | A10265-10021 | 10. KOHM .25W 1 MF T/R | G 3 |
| R203 | C 9079-2 | 200.OHM TOP ADJ CERMET TRIMMER | H 1 |
| R204 | A10265-10021 | 10. KOHM .25W 1 MF T/R | G 2 |
| R205 | A10265-49911 | 4.99KOHM .25W 1 MF T/R | H 3 |
| R206 | A10265-49911 | 4.99KOHM .25W 1 MF T/R | H 3 |
| R207 | 125931-1 | POT, 5KOHM 10% LIN 21 DNT | F 2 |
| R208 | A10265-11821 | 11.8K OHM 0.25W 1% MF T/R | H 1 |
| R209 | A10265-24921 | 24.9 KOHM .25W 1% MF T/R | H 1 |
| R210 | A10265-69811 | 6.98 KOHM .25W 1% MF T/R | H 1 |
| R211 | A10265-24921 | 24.9 KOHM .25W 1% MF T/R | F 2 |
| R212 | A10266-2201 | 22.0 OHM .25W 5 CF T/R | G 2 |
| R213 | A10265-49911 | 4.99KOHM .25W 1 MF T/R | F 2 |
| R214 | A10265-10031 | 100. KOHM .25W 1 MF T/R | F 2 |
| R215 | A10265-15031 | 150 KOHM .25 1% MF T/R | G 4 |
| R216 | A10265-10721 | 10.7KOHM .25W 1% MF T/R | H 4 |
| R217 | A10265-20031 | 200.KOHM .25W 1 MF T/R | H 3 |
| R218 | A10265-10521 | 10.5KOHM .25W 1% MF T/R | H 3 |
| R219 | A10265-10031 | 100. KOHM .25W 1 MF T/R | F 2 |
| R220 | A10266-5111 | 510. OHM .25W 5 CF T/R | F 2 |
| R221 | C 5215-6 | 22. MOHM .25W 5 THICK FILM T/R | F 2 |
| R222 | A10266-1321 | 1.3 KOHM .25W 5 CF T/R | F 2 |
| R223 | A10265-49911 | 4.99KOHM .25W 1 MF T/R | F 2 |
| R224 | A10266-1231 | 12.KOHM .25W 5% CF T/R | E 3 |
| R225 | A10266-1231 | 12.KOHM .25W 5% CF T/R | E 2 |
| R226 | A10266-2721 | 2.7 KOHM .25W 5 CF T/R | E 3 |
| R227 | A10266-2721 | 2.7 KOHM .25W 5 CF T/R | E 2 |
| R228 | A10266-6831 | 68. KOHM .25W 5% CF T/R | E 3 |
| R229 | A10266-6831 | 68. KOHM .25W 5% CF T/R | E 3 |
| R230 | A10265-10031 | 100. KOHM .25W 1 MF T/R | E 3 |
| R231 | A10265-10031 | 100. KOHM .25W 1 MF T/R | E 2 |
| R232 | A10266-4701 | 47.0 OHM .25W 5 CF T/R | E 4 |
| R233 | A10266-4701 | 47.0 OHM .25W 5 CF T/R | E 2 |
| R234 | A10266-4711 | 470. OHM .25W 5% CF T/R | D 3 |
| | | | |
| | | | |
| | | | |

INACTIVE

For Reference Use Only

CROWN INTERNATIONAL INC.

1718 WEST MISHAWAKA ROAD ELKHART, INDIANA 46517 PHONE (219) 294-8000

| | | | | | |
|-------|---------|----------|----------|----------------|-----|
| DRAWN | JAW | 03/30/98 | DWG. NO. | SHEET 16 OF 22 | REV |
| PROJ. | MD36000 | | 125412-3 | | (A) |

THESE DRAWINGS AND SPECIFICATIONS ARE THE PROPERTY OF CROWN INTERNATIONAL, INC. AND SHALL NOT BE REPRODUCED, COPIED, OR USED AS THE BASIS FOR THE MANUFACTURE OR SALE OF APPARATUS OR DEVICES WITHOUT PERMISSION.

PARTS LIST

| REF DES | C. P. N. | DESCRIPTION | MAP LOC. |
|---------|--------------|--------------------------------|----------|
| R235 | A10266-2201 | 22.0 OHM .25W 5 CF T/R | D 3 |
| R236 | A10266-8211 | 820. OHM .25W 5% CF T/R | D 3 |
| R237 | A10266-8211 | 820. OHM .25W 5% CF T/R | D 2 |
| R238 | A10266-2201 | 22.0 OHM .25W 5 CF T/R | D 2 |
| R239 | A10266-5601 | 56.0 OHM .25W 5% CF T/R | D 2 |
| R240 | A10266-4721 | 4.7 KOHM .25W 5% CF T/R | A 5 |
| R241 | A10266-5601 | 56.0 OHM .25W 5% CF T/R | D 4 |
| R242 | A10265-66501 | 665. OHM .25W 1 MF T/R | B 5 |
| R243 | A10265-27401 | 274. OHM .25W 1% MF T/R | A 5 |
| R244 | A10265-27401 | 274. OHM .25W 1% MF T/R | B 5 |
| R245 | A10265-66501 | 665. OHM .25W 1 MF T/R | B 5 |
| R246 | A10265-66501 | 665 OHM 0.25W 1% MF T/R | B 5 |
| R247 | A10265-66501 | 665 OHM 0.25W 1% MF T/R | B 5 |
| R248 | A10266-1041 | 100. KOHM .25W 5% CF25 T/R | A 5 |
| R249 | A10265-35711 | 3.57KOHM .25W 1 MF T/R | A 5 |
| R250 | A10265-35711 | 3.57KOHM .25W 1 MF T/R | B 5 |
| R251 | A10266-1041 | 100. KOHM .25W 5% CF25 T/R | B 5 |
| R252 | C 8836-6 | 100 OHM 0.50W 5% FU/FP T/R | F 4 |
| R253 | A10266-1031 | 10. KOHM .25W 5% CF T/R | E 4 |
| R254 | A10266-2721 | 2.7 KOHM .25W 5 CF T/R | E 3 |
| R255 | C 8836-6 | 100 OHM 0.50W 5% FU/FP T/R | F 3 |
| R256 | A10266-1031 | 10. KOHM .25W 5% CF T/R | E 3 |
| R257 | A10266-2721 | 2.7 KOHM .25W 5 CF T/R | E 3 |
| R258 | A10266-3021 | 3.0 KOHM .25W 5 CF T/R | G 4 |
| R259 | A10265-10011 | 1.0 KOHM .25W 1 MF T/R | F 3 |
| R260 | A10265-10021 | 10. KOHM .25W 1 MF T/R | G 3 |
| R261 | A10266-4721 | 4.7 KOHM .25W 5% CF T/R | G 3 |
| R262 | A10266-4721 | 4.7 KOHM .25W 5% CF T/R | G 3 |
| R263 | A10265-10021 | 10. KOHM .25W 1 MF T/R | G 3 |
| R264 | C 5215-6 | 22. MOHM .25W 5 THICK FILM T/R | F 3 |
| R265 | A10265-27431 | 274.KOHM .25W 1% MF T/R | G 4 |
| R266 | A10265-95311 | 9.53KOHM .25W 1% MF T/R | H 4 |
| R267 | A10266-1321 | 1.3 KOHM .25W 5 CF T/R | F 3 |
| R268 | A10124-24 | WIRE, #24 SOLID BUS | F 3 |
| R269 | A10265-27431 | 274.KOHM .25W 1% MF T/R | G 2 |
| R270 | A10265-95311 | 9.53KOHM .25W 1% MF T/R | G 2 |
| R271 | A10266-5621 | 5.6 KOHM .25W 5% CF T/R | B 3 |
| R272 | A10266-1541 | 150. KOHM .25W 5% CF T/R | A 3 |
| R273 | A10265-17821 | 17.8KOHM .25W 1% MF T/R | A 3 |
| R274 | A10265-24921 | 24.9 KOHM .25W 1% MF T/R | A 3 |
| R275 | A10265-49911 | 4.99KOHM .25W 1 MF T/R | A 3 |
| R276 | A10265-68111 | 6.81KOHM .25W 1% MF T/R | A 3 |
| R277 | A10265-33221 | 33.2KOHM .25W 1% MF T/R | A 4 |
| R278 | A10265-10021 | 10. KOHM .25W 1 MF T/R | A 4 |
| R279 | A10265-20011 | 2.0 KOHM .25W 1% MF T/R | A 3 |
| R280 | A10265-20011 | 2.0 KOHM .25W 1% MF T/R | A 3 |
| R281 | A10265-10001 | 100. OHM .25W 1 MF T/R | A 2 |
| | | | |
| | | | |
| | | | |

INACTIVE

For Reference Use Only

CROWN INTERNATIONAL INC.

1718 WEST MISHAWAKA ROAD ELKHART, INDIANA 46517 PHONE (219) 294-8000

| | | | | | |
|-------|---------|----------|----------|----------------|-----|
| DRAWN | JAW | 03/30/98 | DWG. NO. | SHEET 17 OF 22 | REV |
| PROJ. | MD360D0 | | 125412-3 | | (A) |

THESE DRAWINGS AND SPECIFICATIONS ARE THE PROPERTY OF CROWN INTERNATIONAL, INC. AND SHALL NOT BE REPRODUCED, COPIED, OR USED AS THE BASIS FOR THE MANUFACTURE OR SALE OF APPARATUS OR DEVICES WITHOUT PERMISSION.

PARTS LIST

| REF DES | C. P. N. | DESCRIPTION | MAP LOC. |
|---------|--------------|----------------------------|----------|
| R282 | A10265-51121 | 51.1 KOHM .25W 1% MF T/R | A 2 |
| R283 | A10265-68111 | 6.81KOHM .25W 1% MF T/R | A 2 |
| R284 | A10265-10001 | 100. OHM .25W 1 MF T/R | A 2 |
| R285 | A10266-2741 | 270. KOHM .25W 5% CF25 T/R | A 2 |
| R286 | C 5062-2 | 100KOHM LINEAR TRIMPOT | A 2 |
| R287 | A10265-14321 | 14.3K OHM 0.25W 1% MF T/R | A 4 |
| R288 | A10265-32421 | 32.4K OHM 0.25W 1% MF T/R | A 4 |
| R289 | A10265-19121 | 19.1K OHM 0.25W 1% MF T/R | A 4 |
| R290 | A10265-33221 | 33.2KOHM .25W 1% MF T/R | B 3 |
| R291 | A10265-10021 | 10. KOHM .25W 1 MF T/R | B 3 |
| R292 | A10265-20011 | 2.0 KOHM .25W 1% MF T/R | B 4 |
| R293 | A10265-20011 | 2.0 KOHM .25W 1% MF T/R | B 4 |
| R294 | A10265-68111 | 6.81KOHM .25W 1% MF T/R | B 3 |
| R295 | A10265-10001 | 100. OHM .25W 1 MF T/R | B 2 |
| R296 | A10265-51121 | 51.1 KOHM .25W 1% MF T/R | B 2 |
| R297 | A10265-68111 | 6.81KOHM .25W 1% MF T/R | B 2 |
| R298 | A10265-10001 | 100. OHM .25W 1 MF T/R | B 2 |
| R299 | A10266-2741 | 270. KOHM .25W 5% CF25 T/R | B 2 |
| R300 | C 5062-2 | 100KOHM LINEAR TRIMPOT | P 2 |
| R301 | A10265-14321 | 14.3K OHM 0.25W 1% MF T/R | P 4 |
| R302 | A10265-32421 | 32.4K OHM 0.25W 1% MF T/R | P 4 |
| R303 | A10265-19121 | 19.1K OHM 0.25W 1% MF T/R | P 4 |
| R304 | A10265-39221 | 39.2KOHM .25W 1% MF T/R | P 4 |
| R305 | A10265-35731 | 357. KOHM .25W 1 MF T/R | P 4 |
| R306 | A10266-3021 | 3.0 KOHM .25W 5 CF T/R | O 1 |
| R307 | A10266-1521 | 1.5 KOHM .25W 5% CF T/R | O 1 |
| R308 | A10266-1041 | 100. KOHM .25W 5% CF25 T/R | O 1 |
| R309 | C 7779-9 | 22. OHM .25W 5% FU/FP T/R | N 5 |
| R310 | A10266-4711 | 470. OHM .25W 5% CF T/R | N 5 |
| R311 | A10266-4711 | 470. OHM .25W 5% CF T/R | N 5 |
| R312 | C 7779-9 | 22. OHM .25W 5% FU/FP T/R | N 5 |
| R313 | A10266-4711 | 470. OHM .25W 5% CF T/R | N 5 |
| R314 | C 7779-9 | 22. OHM .25W 5% FU/FP T/R | N 4 |
| R315 | A10266-4711 | 470. OHM .25W 5% CF T/R | N 4 |
| R316 | A10266-4711 | 470. OHM .25W 5% CF T/R | N 4 |
| R317 | A10266-4711 | 470. OHM .25W 5% CF T/R | N 4 |
| R318 | C 7779-9 | 22. OHM .25W 5% FU/FP T/R | N 4 |
| R319 | A10266-2731 | 27. KOHM .25W 5 CF T/R | N 5 |
| R320 | A10266-3321 | 3.3 KOHM .25W 5% CF T/R | L 5 |
| R321 | A10266-3321 | 3.3 KOHM .25W 5% CF T/R | L 5 |
| R322 | A10266-2051 | 2.0 MOHM .25W 5 CF T/R | K 5 |
| R323 | A10266-1521 | 1.5 KOHM .25W 5% CF T/R | L 5 |
| R324 | A10266-4711 | 470. OHM .25W 5% CF T/R | K 5 |
| R325 | A10266-1041 | 100. KOHM .25W 5% CF25 T/R | K 5 |
| R326 | A10266-5121 | 5.1 KOHM .25W 5 CF T/R | K 5 |
| R327 | A10266-7521 | 7.5 KOHM .25W 5% CF T/R | K 5 |
| R328 | A10266-8231 | 82. KOHM .25W 5% CF T/R | L 5 |
| | | | |
| | | | |
| | | | |

INACTIVE

For Reference Use Only

CROWN INTERNATIONAL INC.

1718 WEST MISHAWAKA ROAD ELKHART, INDIANA 46517 PHONE (219) 294-8000

THESE DRAWINGS AND SPECIFICATIONS ARE THE PROPERTY OF CROWN INTERNATIONAL, INC. AND SHALL NOT BE REPRODUCED, COPIED, OR USED AS THE BASIS FOR THE MANUFACTURE OR SALE OF APPARATUS OR DEVICES WITHOUT PERMISSION.

| | | | | | |
|-------|---------|----------|----------|----------------|-----|
| DRAWN | JAW | 03/30/98 | DWG. NO. | SHEET 18 OF 22 | REV |
| PROJ. | MD360D0 | | 125412-3 | | (A) |

PARTS LIST

| REF DES | C.P.N. | DESCRIPTION | MAP LOC. |
|---------|--------------|----------------------------|----------|
| R329 | A10265-51121 | 51.1 KOHM .25W 1% MF T/R | L 6 |
| R330 | A10266-4741 | 470. KOHM .25W 5% CF T/R | L 5 |
| R331 | A10266-2751 | 2.7 MOHM .25W 5% CF T/R | L 5 |
| R332 | A10265-10001 | 100 OHM 0.25W 1% MF T/R | |
| R338 | A10266-1041 | 100. KOHM .25W 5% CF25 T/R | J 6 |
| R339 | A10266-4731 | 47. KOHM .25W 5% CF25 T/R | J 6 |
| R340 | A10266-5121 | 5.1 KOHM .25W 5 CF T/R | L 6 |
| R341 | A10266-1531 | 15. KOHM .25W 5% CF T/R | L 6 |
| R342 | A10266-3921 | 3.9 KOHM .25W 5% CF T/R | L 5 |
| R343 | A10266-1031 | 10. KOHM .25W 5% CF T/R | L 5 |
| R344 | A10266-4731 | 47. KOHM .25W 5% CF25 T/R | L 4 |
| R345 | A10266-1031 | 10. KOHM .25W 5% CF T/R | L 5 |
| R346 | A10266-4731 | 47. KOHM .25W 5% CF25 T/R | L 4 |
| R347 | A10266-1031 | 10. KOHM .25W 5% CF T/R | L 4 |
| R348 | A10266-1031 | 10. KOHM .25W 5% CF T/R | L 4 |
| R349 | A10266-1031 | 10. KOHM .25W 5% CF T/R | L 4 |
| R350 | A10266-4701 | 47.0 OHM .25W 5 CF T/R | L 5 |
| R351 | A10266-2031 | 20. KOHM .25W 5 CF T/R | K 4 |
| R352 | A10266-1031 | 10. KOHM .25W 5% CF T/R | L 4 |
| R353 | A10266-4731 | 47. KOHM .25W 5% CF25 T/R | L 4 |
| R354 | A10266-4731 | 47. KOHM .25W 5% CF25 T/R | L 4 |
| R355 | A10266-4731 | 47. KOHM .25W 5% CF25 T/R | L 4 |
| R356 | A10266-4731 | 47. KOHM .25W 5% CF25 T/R | L 4 |
| R357 | A10266-1031 | 10. KOHM .25W 5% CF T/R | L 5 |
| R358 | A10266-2031 | 20. KOHM .25W 5 CF T/R | L 4 |
| R359 | A10265-10R01 | 10.0 OHM .25W 1 MF T/R | N 4 |
| R360 | A10266-1211 | 120. OHM .25W 5 CF T/R | N 4 |
| R361 | C 6048-0 | 500 OHM PIHER TRIM | N 4 |
| R362 | A10265-10R01 | 10.0 OHM .25W 1 MF T/R | N 4 |
| R363 | A10265-10211 | 1.02K OHM 0.25W 1% MF T/R | N 3 |
| R364 | A10265-18221 | 18.2K OHM 0.25W 1% MF T/R | N 3 |
| R365 | A10265-10211 | 1.02K OHM 0.25W 1% MF T/R | N 3 |
| R366 | A10265-18221 | 18.2K OHM 0.25W 1% MF T/R | N 3 |
| R367 | A10265-10R01 | 10 OHM 0.25W 1% MF T/R | N 3 |
| R368 | A10266-4711 | 470. OHM .25W 5% CF T/R | J 4 |
| R369 | A10266-4711 | 470. OHM .25W 5% CF T/R | J 4 |
| R400 | C 5062-2 | 100KOHM LINEAR TRIMPOT | B 2 |
| R401 | A10265-14321 | 14.3K OHM 0.25W 1% MF T/R | B 4 |
| R402 | A10265-32421 | 32.4K OHM 0.25W 1% MF T/R | B 4 |
| R403 | A10265-19121 | 19.1K OHM 0.25W 1% MF T/R | B 4 |
| R404 | A10265-39221 | 39.2KOHM .25W 1% MF T/R | B 4 |
| R405 | A10265-35731 | 357. KOHM .25W 1 MF T/R | B 5 |
| R406 | A10266-3021 | 3.0 KOHM .25W 5 CF T/R | B 1 |
| R407 | A10266-1521 | 1.5 KOHM .25W 5% CF T/R | B 1 |
| R408 | A10266-1041 | 100. KOHM .25W 5% CF25 T/R | B 1 |
| R409 | C 7779-9 | 22. OHM .25W 5% FU/FP T/R | C 5 |
| R410 | A10266-4711 | 470. OHM .25W 5% CF T/R | C 5 |
| | | | |
| | | | |
| | | | |

INACTIVE

For Reference Use Only

CROWN INTERNATIONAL INC.

1718 WEST MISHAWAKA ROAD ELKHART, INDIANA 46517 PHONE (219) 294-8000

| | | | | | |
|-------|---------|----------|----------|----------------|-----|
| DRAWN | JAW | 03/30/98 | DWG. NO. | SHEET 19 OF 22 | REV |
| PROJ. | MD36000 | | 125412-3 | | (A) |

THESE DRAWINGS AND SPECIFICATIONS ARE THE PROPERTY OF CROWN INTERNATIONAL, INC. AND SHALL NOT BE REPRODUCED, COPIED, OR USED AS THE BASIS FOR THE MANUFACTURE OR SALE OF APPARATUS OR DEVICES WITHOUT PERMISSION.

PARTS LIST

| REF DES | C. P. N. | DESCRIPTION | MAP LOC. |
|---------|--------------|----------------------------|----------|
| R411 | A10266-4711 | 470. OHM .25W 5% CF T/R | C 5 |
| R412 | C 7779-9 | 22. OHM .25W 5% FU/FP T/R | C 5 |
| R413 | A10266-4711 | 470. OHM .25W 5% CF T/R | C 5 |
| R414 | C 7779-9 | 22. OHM .25W 5% FU/FP T/R | C 4 |
| R415 | A10266-4711 | 470. OHM .25W 5% CF T/R | C 4 |
| R416 | A10266-4711 | 470. OHM .25W 5% CF T/R | C 4 |
| R417 | A10266-4711 | 470. OHM .25W 5% CF T/R | C 4 |
| R418 | C 7779-9 | 22. OHM .25W 5% FU/FP T/R | C 4 |
| R419 | A10266-2731 | 27. KOHM .25W 5 CF T/R | C 5 |
| R420 | A10266-3321 | 3.3 KOHM .25W 5% CF T/R | E 5 |
| R421 | A10266-3321 | 3.3 KOHM .25W 5% CF T/R | E 5 |
| R422 | A10266-2051 | 2.0 MOHM .25W 5 CF T/R | F 5 |
| R423 | A10266-1521 | 1.5 KOHM .25W 5% CF T/R | E 5 |
| R424 | A10266-4711 | 470. OHM .25W 5% CF T/R | F 5 |
| R425 | A10266-1041 | 100. KOHM .25W 5% CF25 T/R | F 5 |
| R426 | A10266-5121 | 5.1 KOHM .25W 5 CF T/R | F 5 |
| R427 | A10266-7521 | 7.5 KOHM .25W 5% CF T/R | F 5 |
| R428 | A10266-8231 | 82. KOHM .25W 5% CF T/R | E 5 |
| R429 | A10265-51121 | 51.1 KOHM .25W 1% MF T/R | E 6 |
| R430 | A10266-4741 | 470. KOHM .25W 5% CF T/R | E 5 |
| R431 | A10266-2751 | 2.7 MOHM .25W 5% CF T/R | E 5 |
| R438 | A10266-1041 | 100. KOHM .25W 5% CF25 T/R | G 6 |
| R439 | A10266-4731 | 47. KOHM .25W 5% CF25 T/R | G 6 |
| R440 | A10266-5121 | 5.1 KOHM .25W 5 CF T/R | E 6 |
| R441 | A10266-1531 | 15. KOHM .25W 5% CF T/R | E 6 |
| R442 | A10266-3921 | 3.9 KOHM .25W 5% CF T/R | E 5 |
| R443 | A10266-1031 | 10. KOHM .25W 5% CF T/R | E 5 |
| R444 | A10266-4731 | 47. KOHM .25W 5% CF25 T/R | E 4 |
| R445 | A10266-1031 | 10. KOHM .25W 5% CF T/R | E 5 |
| R446 | A10266-4731 | 47. KOHM .25W 5% CF25 T/R | E 4 |
| R447 | A10266-1031 | 10. KOHM .25W 5% CF T/R | E 4 |
| R448 | A10266-1031 | 10. KOHM .25W 5% CF T/R | E 4 |
| R449 | A10266-1031 | 10. KOHM .25W 5% CF T/R | E 4 |
| R450 | A10266-4701 | 47.0 OHM .25W 5 CF T/R | E 5 |
| R451 | A10266-2031 | 20. KOHM .25W 5 CF T/R | F 4 |
| R452 | A10266-1031 | 10. KOHM .25W 5% CF T/R | E 4 |
| R453 | A10266-4731 | 47. KOHM .25W 5% CF25 T/R | E 4 |
| R454 | A10266-4731 | 47. KOHM .25W 5% CF25 T/R | E 4 |
| R455 | A10266-4731 | 47. KOHM .25W 5% CF25 T/R | E 4 |
| R456 | A10266-4731 | 47. KOHM .25W 5% CF25 T/R | E 4 |
| R457 | A10266-1031 | 10. KOHM .25W 5% CF T/R | E 5 |
| R458 | A10266-2031 | 20. KOHM .25W 5 CF T/R | E 4 |
| R459 | A10265-10R01 | 10.0 OHM .25W 1 MF T/R | C 3 |
| R460 | A10266-1211 | 120. OHM .25W 5 CF T/R | C 3 |
| R461 | C 6048-0 | 500 OHM PIHER TRIM | C 4 |
| R462 | A10265-10R01 | 10.0 OHM .25W 1 MF T/R | C 4 |
| R463 | A10265-10211 | 1.02K OHM 0.25W 1% MF T/R | C 3 |
| | | | |
| | | | |
| | | | |

INACTIVE

For Reference Use Only

CROWN INTERNATIONAL INC.

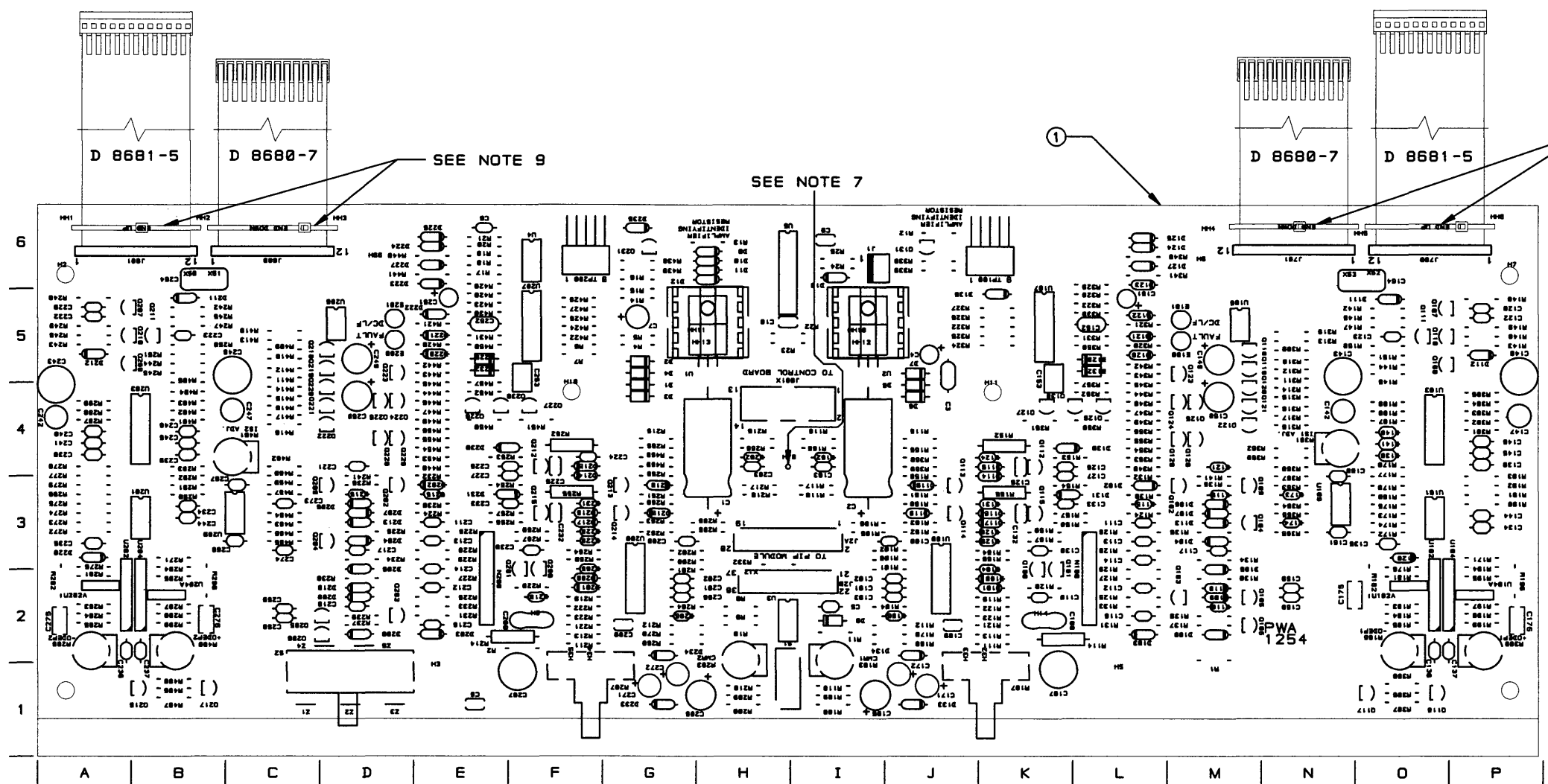
1718 WEST MISHAWAKA ROAD ELKHART, INDIANA 46517 PHONE (219) 294-8000

| | | | | | |
|-------|---------|----------|----------|----------------|-----|
| DRAWN | JAW | 03/30/98 | DWG. NO. | SHEET 20 OF 22 | REV |
| PROJ. | MD360D0 | | 125412-3 | | (A) |

THESE DRAWINGS AND SPECIFICATIONS ARE THE PROPERTY OF CROWN INTERNATIONAL, INC. AND SHALL NOT BE REPRODUCED, COPIED, OR USED AS THE BASIS FOR THE MANUFACTURE OR SALE OF APPARATUS OR DEVICES WITHOUT PERMISSION.

COMPONENT MAP

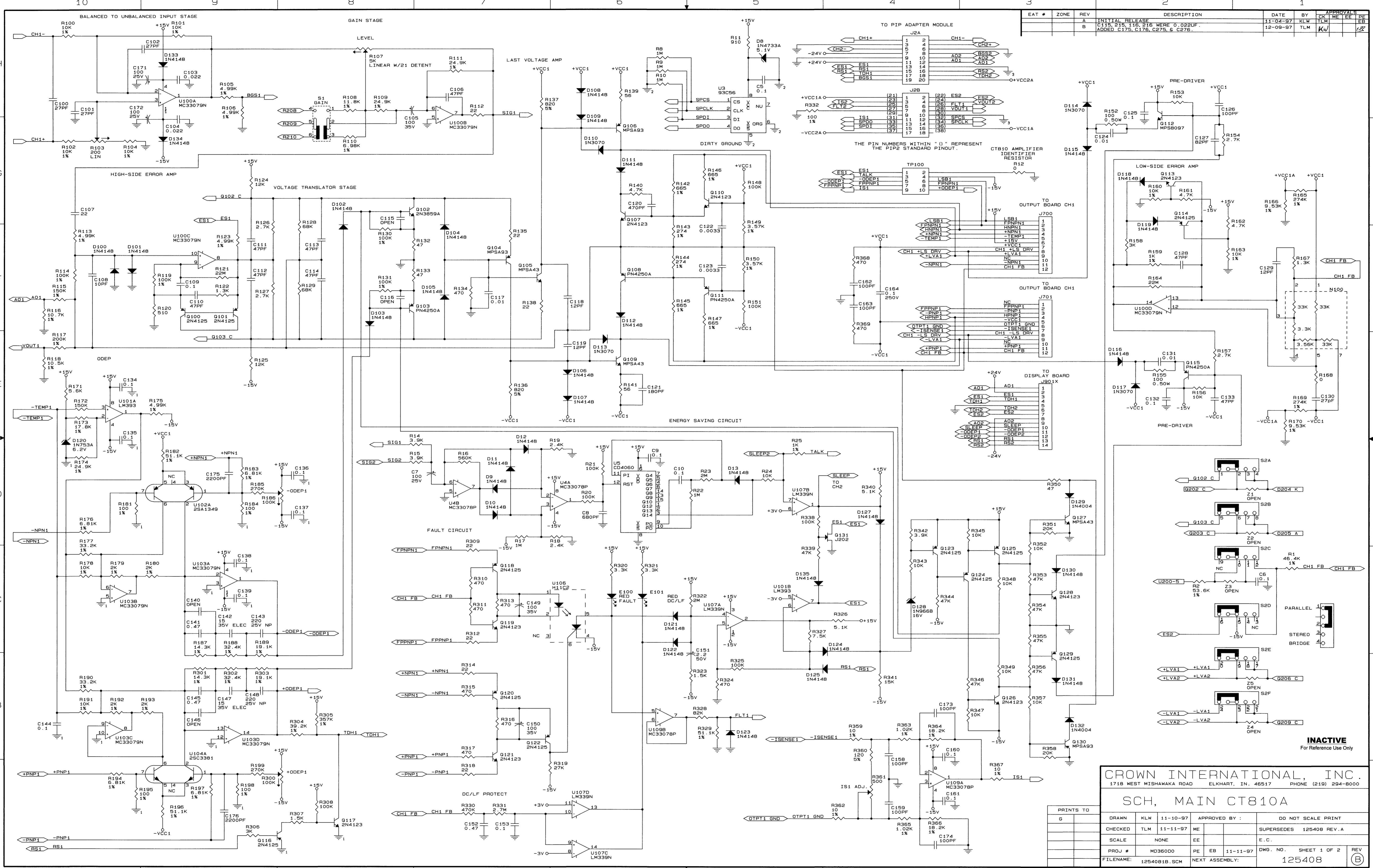
(COMPONENT SIDE VIEW)



INACTIVE
For Reference Use Only

| | | | |
|---------------------------------|---------|------------------------|----------------|
| CROWN INTERNATIONAL INC. | | | |
| 1718 WEST MISHAWAKA ROAD | | ELKHART, INDIANA 46517 | |
| | | PHONE (219) 294-8888 | |
| DRAWN | JAW | DWG. NO. | SHEET 22 OF 22 |
| | MD36808 | 125412-3 | REV |
| | | | (A) |

THESE DRAWINGS AND SPECIFICATIONS ARE THE PROPERTY OF CROWN INTERNATIONAL, INC. AND SHALL NOT BE REPRODUCED, COPIED, OR USED AS THE BASIS FOR THE MANUFACTURE OR SALE OF APPARATUS OR DEVICES WITHOUT PERMISSION.

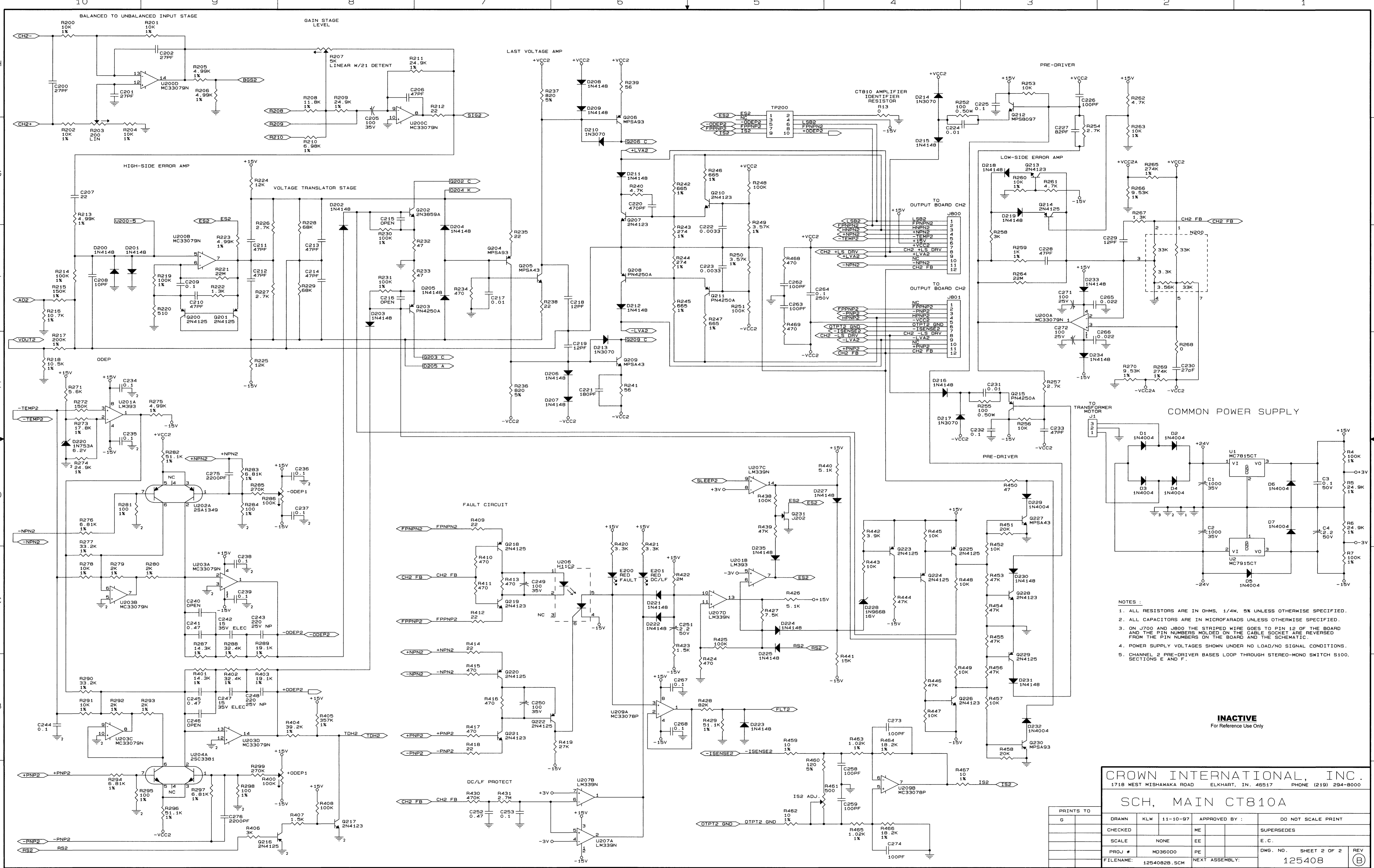


| EAT # | ZONE | REV | DESCRIPTION | DATE | BY | CHK | ME | LEE | PE |
|-------|------|-----|---|----------|-----|-----|----|-----|----|
| | | A | INITIAL RELEASE | 11-02-97 | KLW | TLM | | | EB |
| | | B | C115, 215, 116, 216 WERE 0.022UF. ADDED C175, C176, C275, & C276. | 12-09-97 | TLM | KW | | | EB |

CROWN INTERNATIONAL, INC.
 1718 WEST MISHAWAKA ROAD ELKHART, IN. 46517 PHONE (219) 294-8000

SCH, MAIN CT810A

| | |
|--------------------|---------------|
| PRINTS TO | G |
| DRAWN | KLW 11-10-97 |
| CHECKED | TLM 11-11-97 |
| SCALE | NONE |
| PROJ # | MD36000 |
| FILENAME: | 12540818.SCM |
| APPROVED BY : | |
| DO NOT SCALE PRINT | |
| SUPERSEDES | 125408 REV. A |
| E. C. | |
| DWG. NO. | SHEET 1 OF 2 |
| REV | (B) |



- NOTES :
1. ALL RESISTORS ARE IN OHMS, 1/4W, 5% UNLESS OTHERWISE SPECIFIED.
 2. ALL CAPACITORS ARE IN MICROFARADS UNLESS OTHERWISE SPECIFIED.
 3. ON J700 AND J800 THE STRIPED WIRE GOES TO PIN 12 OF THE BOARD AND THE PIN NUMBERS MOLDED ON THE CABLE SOCKET ARE REVERSED FROM THE PIN NUMBERS ON THE BOARD AND THE SCHEMATIC.
 4. POWER SUPPLY VOLTAGES SHOWN UNDER NO LOAD/NO SIGNAL CONDITIONS.
 5. CHANNEL 2 PRE-DRIVER BASES LOOP THROUGH STEREO-MONO SWITCH S100. SECTIONS E AND F.

INACTIVE
For Reference Use Only

| | | | | |
|--|-----------|-------------|----------------|---------------------------|
| CROWN INTERNATIONAL, INC. | | | | |
| 1718 WEST MISHAWAKA ROAD ELKHART, IN. 46517 PHONE (219) 294-8000 | | | | |
| SCH, MAIN CT810A | | | | |
| PRINTS TO | DRAWN | KLW | 11-10-97 | APPROVED BY : |
| G | CHECKED | ME | | DO NOT SCALE PRINT |
| | SCALE | NONE | EE | SUPERSEDES |
| | PROJ # | MD3600 | PE | E.C. |
| | FILENAME: | 125408B.SCM | NEXT ASSEMBLY: | DWG. NO. SHEET 2 OF 2 REV |
| | | | | 125408 (B) |


**CT810A Main Module 102755 Information On Following Pages
Documentation, Component Map, Schematic**

| E.C.N. | ZONE | REV. | DESCRIPTION | DATE | BY | APPROVALS | | | |
|--------|------|------|--|----------|-----|--------------------|----|----|--------------------|
| | | | | | | CHK | ME | EE | PE |
| | | A | INITIAL RELEASE | 06/09/97 | TLM | KW | | PW | TS |
| | | B | CHG. WATT. ON R327,R427 FROM 1W TO .25W. | 08/04/97 | DWW | <i>[Signature]</i> | | | <i>[Signature]</i> |

UNLESS OTHERWISE SPECIFIED, THE FINISHED PWA SHALL MEET:
IPC-A-610 CLASS 2

NOTES:

1. SCHEMATIC DRAWING NUMBER 102750.
2. PWB PART NUMBER 102756-1.
3. PWA PART NUMBER 102755-1.
4. ALL LEADS SHALL BE TRIMMED TO 0.093" OR LESS.
5. POSITION COMPONENTS AS SHOWN ON COMPONENT MAP.
6. INSERT 8 PIN IC SOCKET (C 3451-9) AT REFERENCE DESIGNATION LOCATION U3. IC IS INSTALLED ON A LATER ASSEMBLY.
7. REMOVE SOLDER OR PREVENT SOLDER FROM ACCUMULATING IN HOLES INDICATED ON THE COMPONENT MAP.
8. INSTALL HEATSINK (C 9484-3) AT REFERENCE DESIGNATION LOCATIONS U1 AND U2.
9. INSTALL CABLE TIE (C 8812-7) AT REFERENCE DESIGNATION LOCATIONS J700, J701, J800 AND J801.
 - 9A. USE A 0.25" DIAMETER ROD AS A GAUGE TO CHECK THE TIGHTNESS OF THE CABLES. ON THE COMPONENT SIDE PRESS THE CABLE AGAINST THE BOARD. THE GAUGE SHOULD NOT FIT UNDER THE CABLE TIE.
10. U102, U104, U202 AND U204 ARE ALTERNATE COMPONENT PARTS.
11. THE CROWN PART NUMBER FOR THIS MODULE SHALL BE MARKED ON THE P.C. BOARD AND SHALL BE PERMANENT.



CAUTION

STATIC CAN DAMAGE COMPONENTS!

DO NOT HANDLE

UNLESS WRIST STRAP IS WORN

THESE DRAWINGS AND SPECIFICATIONS ARE THE PROPERTY OF CROWN INTERNATIONAL, INC. AND SHALL NOT BE REPRODUCED, COPIED, OR USED AS THE BASIS FOR THE MANUFACTURE OR SALE OF APPARATUS OR DEVICES WITHOUT PERMISSION.

| | | | | | | | | | | |
|---------------------------------|--|---|---------|----------|--------------|----------------------|--------------------|---|------------------|-------------------|
| CROWN INTERNATIONAL INC. | | | | | | | | | | |
| PRINTS TO | | 1718 WEST MISHAWAKA ROAD ELKHART, INDIANA 46517 | | | | PHONE (219) 294-8000 | | | | |
| K | | PWA; CT810A MAIN | | | | | | TOL. UNLESS SPECIFIED | | |
| | | | | | | | | X.XX - ± 0.020 X.XXX - ± 0.010 DRILLS - ± 0.003 | | |
| | | DRAWN | TLM | 06/09/97 | APPROVED BY: | | DO NOT SCALE PRINT | | | |
| | | CHECKED | KW | 06/10/97 | ME | | SUPERSEDES | | | |
| | | SCALE | NONE | | EE | PW | 06/11/97 | E.C.N. | | |
| | | PROJ # | MD360D0 | | PE | TS | 06/12/97 | DWG. NO. | SHEET 1 | |
| | | NEXT ASSEMBLY | | | | | 102755 | | CONT. ON SHEET 2 | REV (B) |

INACTIVE
For Reference Use Only

PARTS LIST

| C.P.N. | DESCRIPTION | QTY | REFERENCE DESIGNATION |
|--------------|--------------------------|-----|--|
| A10124-24 | WIRE, #24 SOLID BUS | 8" | R12, R13, R168, R268 |
| A10265-10001 | 100. OHM .25W 1 MF T/R | 8 | R181, R184, R195, R198, R281, R284, R295, R298 |
| A10265-10011 | 1.0 KOHM .25W 1 MF T/R | 5 | R159, R25, R259, R367, R467, |
| A10265-10021 | 10. KOHM .25W 1 MF T/R | 16 | R100, R101, R102, R104, R160, R163, R178, R191, R200, R201, R202, R204, R260, R263, R278, R291 |
| A10265-10031 | 100. KOHM .25W 1 MF T/R | 10 | R114, R119, R130, R131, R214, R219, R230, R231, R4, R7 |
| A10265-10521 | 10.5KOHM .25W 1% MF T/R | 2 | R118, R218 |
| A10265-10721 | 10.7KOHM .25W 1% MF T/R | 2 | R116, R216 |
| A10265-10R01 | 10.0 OHM .25W 1 MF T/R | 4 | R359, R362, R459, R462 |
| A10265-11821 | 11.8 KOHM .25W 1% MF T/R | 2 | R108, R208 |
| A10265-14321 | 14.3 KOHM .25W 1% MF T/R | 4 | R187, R287, R301, R401 |
| A10265-15031 | 150 KOHM .25 1% MF T/R | 2 | R115, R215 |
| A10265-17821 | 17.8KOHM .25W 1% MF T/R | 2 | R173, R273 |
| A10265-18221 | 18.2KOHM .25W 1% MF T/R | 4 | R364, R366, R464, R466 |
| A10265-19121 | 19.1KOHM .25W 1% MF T/R | 4 | R189, R289, R303, R403 |
| A10265-20011 | 2.0 KOHM .25W 1% MF T/R | 8 | R179, R180, R192, R193, R279, R280, R292, R293 |
| A10265-20031 | 200. KOHM .25W 1 MF T/R | 2 | R117, R217 |
| A10265-24921 | 24.9 KOHM .25W 1% MF T/R | 8 | R109, R111, R174, R209, R211, R274, R5, R6 |
| A10265-27401 | 274. OHM .25W 1% MF T/R | 4 | R143, R144, R243, R244 |
| A10265-27431 | 274. KOHM .25W 1% MF T/R | 4 | R165, R169, R265, R269 |
| A10265-30111 | 3.01KOHM .25W 1 MF T/R | 4 | R363, R365, R463, R465 |
| A10265-32421 | 32.4KOHM .25 1% MF T/R | 4 | R188, R288, R302, R402 |
| A10265-33221 | 33.2KOHM .25W 1% MF T/R | 4 | R177, R190, R277, R290 |
| A10265-35711 | 3.57KOHM .25W 1 MF T/R | 4 | R149, R150, R249, R250 |
| A10265-35731 | 357. KOHM .25W 1 MF T/R | 2 | R305, R405 |
| A10265-39221 | 39.2KOHM .25W 1% MF T/R | 2 | R304, R404 |
| A10265-46421 | 46.4 KOHM .25W 1% MF T/R | 1 | R1 |
| A10265-49911 | 4.99KOHM .25W 1 MF T/R | 10 | R105, R106, R113, R123, R175, R205, R206, R213, R223, R275, R429 |
| A10265-51121 | 51.1 KOHM .25W 1% MF T/R | 6 | R182, R196, R282, R296, R329, R429 |
| A10265-53621 | 53.6 KOHM .25W 1% MF T/R | 1 | R2 |
| A10265-66501 | 665. OHM .25W 1 MF T/R | 8 | R142, R145, R146, R147, R242, R245, R246, R247 |
| A10265-68111 | 6.81KOHM .25W 1% MF T/R | 8 | R176, R183, R194, R197, R276, R283, R294, R297 |
| A10265-69811 | 6.98 KOHM .25W 1% MF T/R | 2 | R110, R210 |
| A10265-95311 | 9.53KOHM .25W 1% MF T/R | 4 | R166, R170, R266, R270 |
| A10266-1031 | 10. KOHM .25W 5% CF T/R | 19 | R153, R156, R24, R253, R256, R343, R345, R347, R348, R349, R352, R357, R443, R445, R447, |

INACTIVE

For Reference Use Only

CROWN INTERNATIONAL INC.

1718 WEST MISHAWAKA ROAD ELKHART, INDIANA 46517 PHONE (219) 294-8000

THESE DRAWINGS AND SPECIFICATIONS ARE THE PROPERTY OF CROWN INTERNATIONAL, INC. AND SHALL NOT BE REPRODUCED, COPIED, OR USED AS THE BASIS FOR THE MANUFACTURE OR SALE OF APPARATUS OR DEVICES WITHOUT PERMISSION.

| | | | | | |
|-------|---------|----------|----------|------------------|-----|
| DRAWN | TLM | 08-09-97 | DWG. NO. | SHEET 2 | REV |
| PROJ. | MD36008 | | 102755 | CONT. ON SHEET 3 | (B) |

PARTS LIST

| C.P.N. | DESCRIPTION | QTY | REFERENCE DESIGNATION |
|--------------|------------------------------|-----|--|
| | | | R448, R449, R452, R457 |
| A10266-1041 | 100. KOHM .25W 5% CF25 T/R | 12 | R148, R151, R20, R21, R248, R251, R308, R325, R338, R408, R425, R438 |
| A10266-1051 | 1.0 MOHM .25W 5 CF T/R | 5 | R10, R17, R22, R8, R9 |
| A10266-1211 | 120. OHM .25W 5 CF T/R | 2 | R360, R460 |
| A10266-1231 | 12. KOHM .25W 5% CF T/R | 4 | R124, R125, R224, R225 |
| A10266-1321 | 1.3 KOHM .25W 5 CF T/R | 4 | R122, R167, R222, R267 |
| A10266-1521 | 1.5 KOHM .25W 5% CF T/R | 4 | R307, R323, R407, R423 |
| A10266-1541 | 150. KOHM .25W 5% CF T/R | 2 | R172, R272 |
| A10266-2031 | 20. KOHM .25W 5 CF T/R | 6 | R341, R351, R358, R441, R451, R458 |
| A10266-2051 | 2.0 MOHM .25W 5 CF T/R | 3 | R23, R322, R422 |
| A10266-2201 | 22.0 OHM .25W 5 CF T/R | 6 | R112, R135, R138, R212, R235, R238 |
| A10266-2421 | 2.4 KOHM .25W 5 CF T/R | 2 | R18, R19 |
| A10266-2721 | 2.7 KOHM .25W 5 CF T/R | 8 | R126, R127, R154, R157, R226, R227, R254, R257 |
| A10266-2731 | 27. KOHM .25W 5 CF T/R | 2 | R319, R419 |
| A10266-2741 | 270. KOHM .25W 5% CF25 T/R | 4 | R185, R199, R285, R299 |
| A10266-2751 | 2.7 MOHM .25W 5% CF T/R | 2 | R331, R431 |
| A10266-3021 | 3.0 KOHM .25W 5 CF T/R | 4 | R158, R258, R306, R406 |
| A10266-3321 | 3.3 KOHM .25W 5% CF T/R | 4 | R320, R321, R420, R421 |
| A10266-3921 | 3.9 KOHM .25W 5% CF T/R | 4 | R14, R15, R342, R442 |
| A10266-4701 | 47.0 OHM .25W 5 CF T/R | 6 | R132, R133, R232, R233, R350, R450 |
| A10266-4711 | 470. OHM .25W 5% CF T/R | 20 | R134, R234, R310, R311, R313, R315, R316, R317, R324, R368, R369, R410, R411, R413, R415, R416, R417, R424, R468, R469. |
| A10266-4721 | 4.7 KOHM .25W 5% CF T/R | 6 | R140, R161, R162, R240, R261, R262 |
| A10266-4731 | 47. KOHM .25W 5% CF25 T/R | 14 | R339, R344, R346, R353, R354, R355, R356, R439, R444, R446, R453, R454, R455, R456 |
| A10266-4741 | 470. KOHM .25W 5% CF T/R | 2 | R330, R430 |
| A10266-5111 | 510. OHM .25W 5 CF T/R | 2 | R120, R220 |
| A10266-5121 | 5.1 KOHM .25W 5 CF T/R | 4 | R326, R340, R426, R440 |
| A10266-5601 | 56.0 OHM .25W 5% CF T/R | 4 | R139, R141, R239, R241 |
| A10266-5621 | 5.6 KOHM .25W 5% CF T/R | 2 | R171, R271 |
| A10266-5641 | 560. KOHM .25W 5% CF T/R | 1 | R16 |
| A10266-6831 | 68. KOHM .25W 5% CF T/R | 4 | R128, R129, R228, R229 |
| A10266-7521 | 7.5 KOHM .25W 5% CF T/R | 2 | R327, R427 |
| A10266-8211 | 820. OHM .25W 5% CF T/R | 4 | R136, R137, R236, R237 |
| A10266-8231 | 82. KOHM .25W 5% CF T/R | 2 | R328, R428 |
| A10266-9111 | 910. OHM .25W 5 CF T/R | 1 | R11 |
| A10434-104JD | .1UF 250V 5% MTL POLY FILM T | 2 | C164, C264 |

INACTIVE

For Reference Use Only

CROWN INTERNATIONAL INC.

1718 WEST MISHAWAKA ROAD ELKHART, INDIANA 46517 PHONE (219) 294-8800

THESE DRAWINGS AND SPECIFICATIONS ARE THE PROPERTY OF CROWN INTERNATIONAL, INC. AND SHALL NOT BE REPRODUCED, COPIED, OR USED AS THE BASIS FOR THE MANUFACTURE OR SALE OF APPARATUS OR DEVICES WITHOUT PERMISSION.

| | | | | | |
|-------|---------|----------|----------|----------|-----|
| DRAWN | TLM | 08-09-97 | DWG. NO. | SHEET 3 | REV |
| PROJ. | MD360D8 | | 102755 | CONT. ON | (B) |
| | | | | SHEET 4 | |

PARTS LIST

| C.P.N. | DESCRIPTION | QTY | REFERENCE DESIGNATION |
|----------|------------------------------|-----|--|
| C 2851-1 | RECTIFIER, 1N4004 SILICON T/ | 11 | D1, D129, D132, D2, D229, D232, D3, D4, D5, D6, D7 |
| C 3181-2 | DIODE, 1N4148 T/R | 57 | D10, D100, D101, D102, D103, D104, D105, D106, D107, D108, D109, D11, D111, D112, D115, D116, D118, D119, D12, D121, D122, D123, D124, D125, D127, D13, D130, D131, D133, D134, D200, D201, D202, D203, D204, D205, D206, D207, D208, D209, D211, D212, D215, D216, D218, D219, D221, D222, D223, D224, D225, D227, D230, D231, D233, D234, D9 |
| C 3451-9 | IC SOCKET, 8PIN DIP 2-640463 | 1 | U3X |
| C 3533-4 | DIODE, 1N966B 16V ZENER T/R | 2 | D128, D228 |
| C 3578-9 | MPSA93 200V PNP T/R | 6 | Q104, Q106, Q130, Q204, Q206, Q230 |
| C 3625-8 | 2N4125 30V PNP T/R | 22 | Q100, Q101, Q114, Q116, Q118, Q120, Q122, Q123, Q124, Q125, Q129, Q200, Q201, Q214, Q216, Q218, Q220, Q222, Q223, Q224, Q225, Q229 |
| C 3786-8 | MPS4250A 40V PNP T/R | 8 | Q103, Q108, Q111, Q115, Q203, Q208, Q211, Q215 |
| C 3810-6 | MPSA42 300V NPN T/R | 6 | Q105, Q109, Q127, Q205, Q209, Q227 |
| C 4303-1 | 1000UF 35V AXIAL CAP | 2 | C1, C2 |
| C 4345-2 | LM339N VOLT COMPARATOR | 2 | U107, U207 |
| C 5061-4 | DIODE, 1N3070 10K/T&R | 8 | D110, D113, D114, D117, D210, D213, D214, D217 |
| C 5062-2 | 100KOHM LINEAR TRIMPOT | 4 | R186, R286, R300, R400 |
| C 5082-0 | DIODE, 1N4733A 5.1V ZENER T | 1 | D8 |
| C 5095-2 | MC7815CT +15V. REG | 1 | U1 |
| C 5096-0 | MC7915CT -15V. REG | 1 | U2 |
| C 5215-6 | 22. MOHM .25W 5 THICK FILM T | 4 | R121, R164, R221, R264 |
| C 5311-3 | 22UF 50V 20% NP VERT T/A | 2 | C107, C207 |
| C 5362-6 | 2.2UF 50V VERT ELECT T/A | 3 | C151, C251, C4 |
| C 5891-4 | MTS105 THERMAL SENSE T/R | 4 | Q107, Q110, Q207, Q210 |
| C 6048-0 | 500 OHM PIHER TRIM | 2 | R361, R461 |
| C 6411-0 | H11C2 OPTO SCR | 2 | U106, U206 |
| C 6564-6 | 10P DBLROW UNSHRD HDR 87230- | 2 | TP100, TP200 |
| C 6781-6 | 6P3T MONO/STEREO SWITCH | 1 | S2 |
| C 6802-0 | .47UF 50V AXIAL CER T/R 474 | 6 | C141, C145, C152, C241, C245, C252 |
| C 6804-6 | .1UF 50V AXIAL CER T/R 104 | 20 | C134, C135, C136, C137, C138, C139, C144, C160, C161, C234, |

INACTIVE

For Reference Use Only

CROWN INTERNATIONAL INC.

1718 WEST MISHAWAKA ROAD ELKHART, INDIANA 46517 PHONE (219) 294-8000

THESE DRAWINGS AND SPECIFICATIONS ARE THE PROPERTY OF CROWN INTERNATIONAL, INC. AND SHALL NOT BE REPRODUCED, COPIED, OR USED AS THE BASIS FOR THE MANUFACTURE OR SALE OF APPARATUS OR DEVICES WITHOUT PERMISSION.

| | | | | | |
|-------|---------|----------|----------|------------------|-----|
| DRAWN | TLM | 86-89-97 | DWG. NO. | SHEET 4 | REV |
| PROJ. | MD388D8 | | 102755 | CONT. ON SHEET 5 | (B) |

PARTS LIST

| C. P. N. | DESCRIPTION | QTY | REFERENCE DESIGNATION |
|----------|-------------------------------|-----|-------------------------------|
| | | | C235, C236, C237, C238, C239, |
| | | | C244, C267, C268, C3, C5 |
| C 6805-3 | .022UF 100V AXIALCER T/R 223 | 8 | C103, C104, C115, C116, C215, |
| | | | C216, C265, C266 |
| C 6806-1 | .01UF 100V AXIAL CER T/R 103 | 6 | C117, C124, C131, C217, C224, |
| | | | C231 |
| C 6807-9 | .001UF 100V 10% AXL CER T/R | 4 | C122, C123, C222, C223 |
| C 6808-7 | 470. PF 100V 5% NPO AXL CER T | 2 | C120, C220 |
| C 6810-3 | 180PF 100V AXIAL CER T/R 181 | 2 | C121, C221 |
| C 6811-1 | 100PF 200V 10% NPO AXL CER T | 11 | C126, C158, C159, C162, C163, |
| | | | C226, C258, C259, C262, C263, |
| | | | C8 |
| C 6812-9 | 47PF 200V 10% NPO AXL CER | 16 | C106, C110, C111, C112, C113, |
| | | | C114, C128, C133, C206, C210, |
| | | | C211, C212, C213, C214, C228, |
| | | | C233 |
| C 6813-7 | 27PF 200V 10% NPO AXIAL CER | 8 | C100, C101, C102, C130, C200, |
| | | | C201, C202, C230 |
| C 6814-5 | 12PF 200V AXIAL CER T/R 120 | 6 | C118, C119, C129, C218, C219, |
| | | | C229 |
| C 6950-7 | 82PF 200V 5% NPO AXIAL CER T | 2 | C127, C227 |
| C 7444-0 | LM393 DUAL COMPARATOR | 2 | U101, U201 |
| C 7458-0 | 2N4123 30V NPN T/R | 12 | Q113, Q117, Q119, Q121, Q126, |
| | | | Q128, Q213, Q217, Q219, Q221, |
| | | | Q226, Q228 |
| C 7526-4 | 3POS .1 CENTER MTA HEADER | 1 | J1 |
| C 7558-7 | MC33079P QUAD LOW NOISE OP A | 2 | U103, U203 |
| C 7597-5 | J202 N-CHANNEL JFET | 2 | Q131, Q231 |
| C 7636-1 | MC33078P DUAL LOW NOISE OP A | 3 | U109, U209, U4 |
| C 7779-9 | 22. OHM .25W 5% FU/FP T/R | 8 | R309, R312, R314, R318, R409, |
| | | | R412, R414, R418 |
| C 7960-5 | DPDT 3POS PC SLIDE SWITCH | 1 | S1 |
| C 8182-5 | 1N753A 6.2V .5W ZENER DIODE | 2 | D120, D220 |
| C 8576-8 | 100UF 35V 10% ALUM ELECT T/A | 6 | C105, C149, C150, C205, C249, |
| | | | C250 |
| C 8812-7 | 5.5" CABLE TIE | 4 | HW10, HW7, HW8, HW9 |
| C 8836-6 | 100 OHM .5W 5% FU/FP T/R | 4 | R152, R155, R252, R255 |
| C 8897-8 | .1UF 100V 20% Z5U RAD CER T/ | 11 | C10, C109, C125, C132, C153, |
| | | | C209, C225, C232, C253, C6, |
| | | | C9 |
| C 9079-2 | 200.OHM TOP ADJ CERMET TRIMM | 2 | R103, R203 |
| C 9464-6 | 10PF 100V 5% NPO RAD CER T/R | 2 | C108, C208 |
| C 9494-3 | HEATSINK, T0220 PLUG IN | 2 | U1X, U2X |
| C 9857-1 | LED, RED T1 .1 LEAD SPACE T/ | 4 | E100, E101, E200, E201 |
| C10208-4 | 100.UF 25V 20% RAD ELECT T/R | 5 | C171, C172, C271, C272, C7, |
| C10570-7 | 20 PIN HDR PICOFLEX TIN | 1 | J2A |
| | | | |
| | | | |
| | | | |
| | | | |

INACTIVE

For Reference Use Only

CROWN INTERNATIONAL INC.

1718 WEST MISHAWAKA ROAD ELKHART, INDIANA 46517 PHONE (219) 294-8888

THESE DRAWINGS AND SPECIFICATIONS ARE THE PROPERTY OF CROWN INTERNATIONAL, INC. AND SHALL NOT BE REPRODUCED, COPIED, OR USED AS THE BASIS FOR THE MANUFACTURE OR SALE OF APPARATUS OR DEVICES WITHOUT PERMISSION.

| | | | | | |
|--------------|----------------|-----------------|-----------------|-----------------|------------|
| DRAWN | TLM | 08-09-97 | DWG. NO. | SHEET 5 | REV |
| PROJ. | MD36008 | | 102755 | CONT. ON | (B) |
| | | | | SHEET 8 | |

PARTS LIST

| REF DES | C.P.N. | DESCRIPTION | MAP LOC. |
|---------|----------|--------------------------------|----------|
| 1 | 102756-1 | PWB. CT'10A MAIN. . . | |
| C1 | C 4303-1 | 1000UF 35V AXIAL CAP | H 4 |
| C2 | C 4303-1 | 1000UF 35V AXIAL CAP | I 4 |
| C3 | C 6804-6 | .1UF 50V AXIAL CER T/R 104 | J 5 |
| C4 | C 5362-6 | 2.2UF 50V VERT ELECT T/A | J 5 |
| C5 | C 6804-6 | .1UF 50V AXIAL CER T/R 104 | I 2 |
| C6 | C 8897-8 | .1UF 100V 20% Z5U RAD CER T/R | E 1 |
| C7 | C10208-4 | 100.UF 25V 20% RAD ELECT T/R | G 5 |
| C8 | C 6811-1 | 100PF 200V 10% NPO AXL CER T/R | E 6 |
| C9 | C 8897-8 | .1UF 100V 20% Z5U RAD CER T/R | I 6 |
| C10 | C 8897-8 | .1UF 100V 20% Z5U RAD CER T/R | H 5 |
| C100 | C 6813-7 | 27PF 200V 10% NPO AXIAL CER | J 3 |
| C101 | C 6813-7 | 27PF 200V 10% NPO AXIAL CER | J 2 |
| C102 | C 6813-7 | 27PF 200V 10% NPO AXIAL CER | J 2 |
| C103 | C 6805-3 | .022UF 100V AXIALCER T/R 223 | J 2 |
| C104 | C 6805-3 | .022UF 100V AXIALCER T/R 223 | K 3 |
| C105 | C 8576-8 | 100UF 35V 10% ALUM ELECT T/A | I 1 |
| C106 | C 6812-9 | 47PF 200V 10% NPO AXL CER | J 2 |
| C107 | C 5311-3 | 22UF 50V 20% NP VERT T/A | K 1 |
| C108 | C 9464-6 | 10PF 100V 5% NPO RAD CER T/R | K 2 |
| C109 | C 8897-8 | .1UF 100V 20% Z5U RAD CER T/R | J 2 |
| C110 | C 6812-9 | 47PF 200V 10% NPO AXL CER | K 2 |
| C111 | C 6812-9 | 47PF 200V 10% NPO AXL CER | L 3 |
| C112 | C 6812-9 | 47PF 200V 10% NPO AXL CER | L 2 |
| C113 | C 6812-9 | 47PF 200V 10% NPO AXL CER | L 3 |
| C114 | C 6812-9 | 47PF 200V 10% NPO AXL CER | L 3 |
| C115 | C 6805-3 | .022UF 100V AXIALCER T/R 223 | L 3 |
| C116 | C 6805-3 | .022UF 100V AXIALCER T/R 223 | L 2 |
| C117 | C 6806-1 | .01UF 100V AXIAL CER T/R 103 | M 3 |
| C118 | C 6814-5 | 12PF 200V AXIAL CER T/R 120 | M 2 |
| C119 | C 6814-5 | 12PF 200V AXIAL CER T/R 120 | M 3 |
| C120 | C 6808-7 | 470.PF 100V 5% NPO AXL CER T/R | P 5 |
| C121 | C 6810-3 | 180PF 100V AXIAL CER T/R 181 | M 4 |
| C122 | C 6807-9 | .001UF 100V 10% AXL CER T/R | P 5 |
| C123 | C 6807-9 | .001UF 100V 10% AXL CER T/R | O 5 |
| C124 | C 6806-1 | .01UF 100V AXIAL CER T/R 103 | K 4 |
| C125 | C 8897-8 | .1UF 100V 20% Z5U RAD CER T/R | K 4 |
| C126 | C 6811-1 | 100PF 200V 10% NPO AXL CER T/R | K 4 |
| C127 | C 6950-7 | 82PF 200V 5% NPO AXIAL CER T/R | K 4 |
| C128 | C 6812-9 | 47PF 200V 10% NPO AXL CER | K 3 |
| C129 | C 6814-5 | 12PF 200V AXIAL CER T/R 120 | K 3 |
| C130 | C 6813-7 | 27PF 200V 10% NPO AXIAL CER | K 3 |
| C131 | C 6806-1 | .01UF 100V AXIAL CER T/R 103 | K 3 |
| C132 | C 8897-8 | .1UF 100V 20% Z5U RAD CER T/R | K 3 |
| C133 | C 6812-9 | 47PF 200V 10% NPO AXL CER | K 3 |
| C134 | C 6804-6 | .1UF 50V AXIAL CER T/R 104 | P 3 |
| C135 | C 6804-6 | .1UF 50V AXIAL CER T/R 104 | O 3 |
| | | | |
| | | | |
| | | | |

INACTIVE

For Reference Use Only

CROWN INTERNATIONAL INC.

1718 WEST MISHAWAKA ROAD ELKHART, INDIANA 46517 PHONE (219) 294-8888

THESE DRAWINGS AND SPECIFICATIONS ARE THE PROPERTY OF CROWN INTERNATIONAL, INC. AND SHALL NOT BE REPRODUCED, COPIED, OR USED AS THE BASIS FOR THE MANUFACTURE OR SALE OF APPARATUS OR DEVICES WITHOUT PERMISSION.

| | | | | | |
|-------|---------|----------|----------|------------------|-----|
| DRAWN | TLM | 08-09-97 | DWG. NO. | SHEET 7 | REV |
| PROJ. | MD38008 | | 102755 | CONT. ON SHEET 8 | (B) |

PARTS LIST

| REF DES | C. P. N. | DESCRIPTION | MAP LOC. |
|---------|--------------|--------------------------------|----------|
| C136 | C 6804-6 | .1UF 50V AXIAL CER T/R 104 | O 2 |
| C137 | C 6804-6 | .1UF 50V AXIAL CER T/R 104 | P 2 |
| C138 | C 6804-6 | .1UF 50V AXIAL CER T/R 104 | O 4 |
| C139 | C 6804-6 | .1UF 50V AXIAL CER T/R 104 | P 4 |
| C140 | | DO NOT INSTALL | O 4 |
| C141 | C 6802-0 | .47UF 50V AXIAL CER T/R 474 | O 4 |
| C142 | C10588-9 | 15UF 35V 20% NP RAD ELECT T/R | N 4 |
| C143 | C10587-1 | 220UF 25V 20% NP RAD ELECT T/R | N 5 |
| C144 | C 6804-6 | .1UF 50V AXIAL CER T/R 104 | P 3 |
| C145 | C 6802-0 | .47UF 50V AXIAL CER T/R 474 | P 4 |
| C146 | | DO NOT INSTALL | P 4 |
| C147 | C10588-9 | 15UF 35V 20% NP RAD ELECT T/R | P 4 |
| C148 | C10587-1 | 220UF 25V 20% NP RAD ELECT T/R | P 5 |
| C149 | C 8576-8 | 100UF 35V 10% ALUM ELECT T/A | M 5 |
| C150 | C 8576-8 | 100UF 35V 10% ALUM ELECT T/A | M 4 |
| C151 | C 5362-6 | 2.2UF 50V VERT ELECT T/A | L 5 |
| C152 | C 6802-0 | .47UF 50V AXIAL CER T/R 474 | L 5 |
| C153 | C 8897-8 | .1UF 100V 20% Z5U RAD CER T/R | K 5 |
| C156 | | DO NOT INSTALL | M 4 |
| C157 | | DO NOT INSTALL | M 4 |
| C158 | C 6811-1 | 100PF 200V 10% NPO AXL CER T/R | N 4 |
| C159 | C 6811-1 | 100PF 200V 10% NPO AXL CER T/R | N 3 |
| C160 | C 6804-6 | .1UF 50V AXIAL CER T/R 104 | N 4 |
| C161 | C 6804-6 | .1UF 50V AXIAL CER T/R 104 | N 3 |
| C162 | C 6811-1 | 100PF 200V 10% NPO AXL CER T/R | I 4 |
| C163 | C 6811-1 | 100PF 200V 10% NPO AXL CER T/R | I 4 |
| C164 | A10434-104JD | .1UF 250V 5% MTL POLY FILM T/A | O 6 |
| C171 | C10208-4 | 100.UF 25V 20% RAD ELECT T/R | J 1 |
| C172 | C10208-4 | 100.UF 25V 20% RAD ELECT T/R | J 1 |
| C200 | C 6813-7 | 27PF 200V 10% NPO AXIAL CER | G 3 |
| C201 | C 6813-7 | 27PF 200V 10% NPO AXIAL CER | G 2 |
| C202 | C 6813-7 | 27PF 200V 10% NPO AXIAL CER | G 2 |
| C205 | C 8576-8 | 100UF 35V 10% ALUM ELECT T/A | H 1 |
| C206 | C 6812-9 | 47PF 200V 10% NPO AXL CER | G 2 |
| C207 | C 5311-3 | 22UF 50V 20% NP VERT T/A | F 1 |
| C208 | C 9464-6 | 10PF 100V 5% NPO RAD CER T/R | F 2 |
| C209 | C 8897-8 | .1UF 100V 20% Z5U RAD CER T/R | G 2 |
| C210 | C 6812-9 | 47PF 200V 10% NPO AXL CER | F 2 |
| C211 | C 6812-9 | 47PF 200V 10% NPO AXL CER | E 3 |
| C212 | C 6812-9 | 47PF 200V 10% NPO AXL CER | E 2 |
| C213 | C 6812-9 | 47PF 200V 10% NPO AXL CER | E 3 |
| C214 | C 6812-9 | 47PF 200V 10% NPO AXL CER | E 3 |
| C215 | C 6805-3 | .022UF 100V AXIALCER T/R 223 | E 3 |
| C216 | C 6805-3 | .022UF 100V AXIALCER T/R 223 | E 2 |
| C217 | C 6806-1 | .01UF 100V AXIAL CER T/R 103 | D 3 |
| C218 | C 6814-5 | 12PF 200V AXIAL CER T/R 120 | D 2 |
| C219 | C 6814-5 | 12PF 200V AXIAL CER T/R 120 | D 3 |
| | | | |
| | | | |
| | | | |

INACTIVE

For Reference Use Only

CROWN INTERNATIONAL INC.

1718 WEST MISHAWAKA ROAD ELKHART, INDIANA 46517 PHONE (219) 294-8888

THESE DRAWINGS AND SPECIFICATIONS ARE THE PROPERTY OF CROWN INTERNATIONAL, INC. AND SHALL NOT BE REPRODUCED, COPIED, OR USED AS THE BASIS FOR THE MANUFACTURE OR SALE OF APPARATUS OR DEVICES WITHOUT PERMISSION.

| | | | | | |
|-------|---------|----------|----------|------------------|-----|
| DRAWN | TLM | 08-09-97 | DWG. NO. | SHEET 8 | REV |
| PROJ. | MD36808 | | 102755 | CONT. ON SHEET 9 | (B) |

| PARTS LIST | | | |
|------------|--------------|--------------------------------|----------|
| REF DES | C. P. N. | DESCRIPTION | MAP LOC. |
| C220 | C 6808-7 | 470.PF 100V 5% NPO AXL CER T/R | A 5 |
| C221 | C 6810-3 | 180PF 100V AXIAL CER T/R 181 | D 4 |
| C222 | C 6807-9 | .001UF 100V 10% AXL CER T/R | A 5 |
| C223 | C 6807-9 | .001UF 100V 10% AXL CER T/R | B 5 |
| C224 | C 6806-1 | .01UF 100V AXIAL CER T/R 103 | F 4 |
| C225 | C 8897-8 | .1UF 100V 20% Z5U RAD CER T/R | F 4 |
| C226 | C 6811-1 | 100PF 200V 10% NPO AXL CER T/R | F 4 |
| C227 | C 6950-7 | 82PF 200V 5% NPO AXIAL CER T/R | F 4 |
| C228 | C 6812-9 | 47PF 200V 10% NPO AXL CER | F 3 |
| C229 | C 6814-5 | 12PF 200V AXIAL CER T/R 120 | F 3 |
| C230 | C 6813-7 | 27PF 200V 10% NPO AXIAL CER | F 3 |
| C231 | C 6806-1 | .01UF 100V AXIAL CER T/R 103 | F 3 |
| C232 | C 8897-8 | .1UF 100V 20% Z5U RAD CER T/R | F 3 |
| C233 | C 6812-9 | 47PF 200V 10% NPO AXL CER | F 3 |
| C234 | C 6804-6 | .1UF 50V AXIAL CER T/R 104 | B 3 |
| C235 | C 6804-6 | .1UF 50V AXIAL CER T/R 104 | A 3 |
| C236 | C 6804-6 | .1UF 50V AXIAL CER T/R 104 | A 2 |
| C237 | C 6804-6 | .1UF 50V AXIAL CER T/R 104 | B 2 |
| C238 | C 6804-6 | .1UF 50V AXIAL CER T/R 104 | A 4 |
| C239 | C 6804-6 | .1UF 50V AXIAL CER T/R 104 | B 4 |
| C240 | | DO NOT INSTALL | A 4 |
| C241 | C 6802-0 | .47UF 50V AXIAL CER T/R 474 | A 4 |
| C242 | C10588-9 | 15UF 35V 20% NP RAD ELECT T/R | A 4 |
| C243 | C10587-1 | 220UF 25V 20% NP RAD ELECT T/R | A 4 |
| C244 | C 6804-6 | .1UF 50V AXIAL CER T/R 104 | B 3 |
| C245 | C 6802-0 | .47UF 50V AXIAL CER T/R 474 | B 4 |
| C246 | | DO NOT INSTALL | B 4 |
| C247 | C10588-9 | 15UF 35V 20% NP RAD ELECT T/R | C 4 |
| C248 | C10587-1 | 220UF 25V 20% NP RAD ELECT T/R | C 5 |
| C249 | C 8576-8 | 100UF 35V 10% ALUM ELECT T/A | D 5 |
| C250 | C 8576-8 | 100UF 35V 10% ALUM ELECT T/A | D 4 |
| C251 | C 5362-6 | 2.2UF 50V VERT ELECT T/A | E 5 |
| C252 | C 6802-0 | .47UF 50V AXIAL CER T/R 474 | E 5 |
| C253 | C 8897-8 | .1UF 100V 20% Z5U RAD CER T/R | F 5 |
| C256 | | DO NOT INSTALL | D 4 |
| C257 | | DO NOT INSTALL | D 4 |
| C258 | C 6811-1 | 100PF 200V 10% NPO AXL CER T/R | C 4 |
| C259 | C 6811-1 | 100PF 200V 10% NPO AXL CER T/R | C 3 |
| C262 | C 6811-1 | 100PF 200V 10% NPO AXL CER T/R | H 4 |
| C263 | C 6811-1 | 100PF 200V 10% NPO AXL CER T/R | H 4 |
| C264 | A10434-104JD | .1UF 250V 5% MTL POLY FILM T/A | B 6 |
| C265 | C 6805-3 | .022UF 100V AXIALCER T/R 223 | F 3 |
| C266 | C 6805-3 | .022UF 100V AXIALCER T/R 223 | G 2 |
| C267 | C 6804-6 | .1UF 50V AXIAL CER T/R 104 | C 3 |
| C268 | C 6804-6 | .1UF 50V AXIAL CER T/R 104 | C 3 |
| C271 | C10208-4 | 100.UF 25V 20% RAD ELECT T/R | G 1 |
| C272 | C10208-4 | 100.UF 25V 20% RAD ELECT T/R | G 1 |
| | | | |
| | | | |
| | | | |

INACTIVE

For Reference Use Only

THESE DRAWINGS AND SPECIFICATIONS ARE THE PROPERTY OF CROWN INTERNATIONAL, INC. AND SHALL NOT BE REPRODUCED, COPIED, OR USED AS THE BASIS FOR THE MANUFACTURE OR SALE OF APPARATUS OR DEVICES WITHOUT PERMISSION.

CROWN INTERNATIONAL INC.

1718 WEST MISHAWAKA ROAD ELKHART, INDIANA 46517 PHONE (219) 294-8000

| | | | | | |
|-------|---------|----------|----------|----------|-----|
| DRAWN | TLM | 06-09-97 | DWG. NO. | SHEET 9 | REV |
| PROJ. | M0360D8 | | 102755 | CONT. ON | Ⓟ |
| | | | | SHEET 10 | |

PARTS LIST

| REF DES | C. P. N. | DESCRIPTION | MAP LOC. |
|---------|----------|-------------------------------|----------|
| D1 | C 2851-1 | RECTIFIER, 1N4004 SILICON T/R | G 4 |
| D2 | C 2851-1 | RECTIFIER, 1N4004 SILICON T/R | G 5 |
| D3 | C 2851-1 | RECTIFIER, 1N4004 SILICON T/R | G 4 |
| D4 | C 2851-1 | RECTIFIER, 1N4004 SILICON T/R | G 5 |
| D5 | C 2851-1 | RECTIFIER, 1N4004 SILICON T/R | J 4 |
| D6 | C 2851-1 | RECTIFIER, 1N4004 SILICON T/R | J 4 |
| D7 | C 2851-1 | RECTIFIER, 1N4004 SILICON T/R | J 5 |
| D8 | C 5082-0 | DIODE, 1N4733A 5.1V ZENER T/R | I 2 |
| D9 | C 3181-2 | DIODE, 1N4148 T/R | H 6 |
| D10 | C 3181-2 | DIODE, 1N4148 T/R | H 6 |
| D11 | C 3181-2 | DIODE, 1N4148 T/R | H 6 |
| D12 | C 3181-2 | DIODE, 1N4148 T/R | H 6 |
| D13 | C 3181-2 | DIODE, 1N4148 T/R | I 6 |
| D100 | C 3181-2 | DIODE, 1N4148 T/R | K 2 |
| D101 | C 3181-2 | DIODE, 1N4148 T/R | K 2 |
| D102 | C 3181-2 | DIODE, 1N4148 T/R | L 3 |
| D103 | C 3181-2 | DIODE, 1N4148 T/R | L 2 |
| D104 | C 3181-2 | DIODE, 1N4148 T/R | M 3 |
| D105 | C 3181-2 | DIODE, 1N4148 T/R | M 3 |
| D106 | C 3181-2 | DIODE, 1N4148 T/R | M 3 |
| D107 | C 3181-2 | DIODE, 1N4148 T/R | M 3 |
| D108 | C 3181-2 | DIODE, 1N4148 T/R | M 2 |
| D109 | C 3181-2 | DIODE, 1N4148 T/R | M 2 |
| D110 | C 5061-4 | DIODE, 1N3070 10K/T&R | M 2 |
| D111 | C 3181-2 | DIODE, 1N4148 T/R | O 5 |
| D112 | C 3181-2 | DIODE, 1N4148 T/R | P 5 |
| D113 | C 5061-4 | DIODE, 1N3070 10K/T&R | M 3 |
| D114 | C 5061-4 | DIODE, 1N3070 10K/T&R | K 4 |
| D115 | C 3181-2 | DIODE, 1N4148 T/R | K 4 |
| D116 | C 3181-2 | DIODE, 1N4148 T/R | K 3 |
| D117 | C 5061-4 | DIODE, 1N3070 10K/T&R | K 3 |
| D118 | C 3181-2 | DIODE, 1N4148 T/R | J 3 |
| D119 | C 3181-2 | DIODE, 1N4148 T/R | J 3 |
| D120 | C 8182-5 | 1N753A 6.2V .5W ZENER DIODE | O 3 |
| D121 | C 3181-2 | DIODE, 1N4148 T/R | L 5 |
| D122 | C 3181-2 | DIODE, 1N4148 T/R | L 5 |
| D123 | C 3181-2 | DIODE, 1N4148 T/R | L 6 |
| D124 | C 3181-2 | DIODE, 1N4148 T/R | L 6 |
| D125 | C 3181-2 | DIODE, 1N4148 T/R | L 6 |
| D127 | C 3181-2 | DIODE, 1N4148 T/R | L 6 |
| D128 | C 3533-4 | DIODE, 1N966B 16V ZENER T/R | L 5 |
| D129 | C 2851-1 | RECTIFIER, 1N4004 SILICON T/R | L 5 |
| D130 | C 3181-2 | DIODE, 1N4148 T/R | K 4 |
| D131 | C 3181-2 | DIODE, 1N4148 T/R | K 3 |
| D132 | C 2851-1 | RECTIFIER, 1N4004 SILICON T/R | L 5 |
| D133 | C 3181-2 | DIODE, 1N4148 T/R | J 1 |
| D134 | C 3181-2 | DIODE, 1N4148 T/R | J 2 |
| | | | |
| | | | |
| | | | |

INACTIVE

For Reference Use Only

CROWN INTERNATIONAL INC.

1718 WEST MISHAWAKA ROAD ELKHART, INDIANA 46517 PHONE (219) 294-8000

THESE DRAWINGS AND SPECIFICATIONS ARE THE PROPERTY OF CROWN INTERNATIONAL, INC., AND SHALL NOT BE REPRODUCED, COPIED, OR USED AS THE BASIS FOR THE MANUFACTURE OR SALE OF APPARATUS OR DEVICES WITHOUT PERMISSION.

| | | | | | |
|-------|---------|----------|----------|-------------------|-----|
| DRAWN | TLM | 06-09-97 | DWG. NO. | SHEET 10 | REV |
| PROJ. | MD360D0 | | 102755 | CONT. ON SHEET 11 | (B) |

PARTS LIST

| REF DES | C. P. N. | DESCRIPTION | MAP LOC. |
|---------|----------|-------------------------------|----------|
| D200 | C 3181-2 | DIODE, 1N4148 T/R | F 2 |
| D201 | C 3181-2 | DIODE, 1N4148 T/R | F 2 |
| D202 | C 3181-2 | DIODE, 1N4148 T/R | E 3 |
| D203 | C 3181-2 | DIODE, 1N4148 T/R | E 2 |
| D204 | C 3181-2 | DIODE, 1N4148 T/R | D 3 |
| D205 | C 3181-2 | DIODE, 1N4148 T/R | D 3 |
| D206 | C 3181-2 | DIODE, 1N4148 T/R | D 3 |
| D207 | C 3181-2 | DIODE, 1N4148 T/R | D 3 |
| D208 | C 3181-2 | DIODE, 1N4148 T/R | D 2 |
| D209 | C 3181-2 | DIODE, 1N4148 T/R | D 2 |
| D210 | C 5061-4 | DIODE, 1N3070 10K/T&R | D 2 |
| D211 | C 3181-2 | DIODE, 1N4148 T/R | B 5 |
| D212 | C 3181-2 | DIODE, 1N4148 T/R | A 5 |
| D213 | C 5061-4 | DIODE, 1N3070 10K/T&R | D 3 |
| D214 | C 5061-4 | DIODE, 1N3070 10K/T&R | F 4 |
| D215 | C 3181-2 | DIODE, 1N4148 T/R | F 4 |
| D216 | C 3181-2 | DIODE, 1N4148 T/R | F 3 |
| D217 | C 5061-4 | DIODE, 1N3070 10K/T&R | F 3 |
| D218 | C 3181-2 | DIODE, 1N4148 T/R | G 3 |
| D219 | C 3181-2 | DIODE, 1N4148 T/R | G 3 |
| D220 | C 8182-5 | 1N753A 6.2V .5W ZENER DIODE | A 3 |
| D221 | C 3181-2 | DIODE, 1N4148 T/R | E 5 |
| D222 | C 3181-2 | DIODE, 1N4148 T/R | E 5 |
| D223 | C 3181-2 | DIODE, 1N4148 T/R | E 6 |
| D224 | C 3181-2 | DIODE, 1N4148 T/R | E 6 |
| D225 | C 3181-2 | DIODE, 1N4148 T/R | E 6 |
| D227 | C 3181-2 | DIODE, 1N4148 T/R | E 6 |
| D228 | C 3533-4 | DIODE, 1N966B 16V ZENER T/R | E 5 |
| D229 | C 2851-1 | RECTIFIER, 1N4004 SILICON T/R | E 5 |
| D230 | C 3181-2 | DIODE, 1N4148 T/R | F 4 |
| D231 | C 3181-2 | DIODE, 1N4148 T/R | F 3 |
| D232 | C 2851-1 | RECTIFIER, 1N4004 SILICON T/R | E 5 |
| D233 | C 3181-2 | DIODE, 1N4148 T/R | G 1 |
| D234 | C 3181-2 | DIODE, 1N4148 T/R | G 2 |
| E100 | C 9857-1 | LED, RED T1 .1 LEAD SPACE T/R | M 5 |
| E101 | C 9857-1 | LED, RED T1 .1 LEAD SPACE T/R | M 5 |
| E200 | C 9857-1 | LED, RED T1 .1 LEAD SPACE T/R | D 5 |
| E201 | C 9857-1 | LED, RED T1 .1 LEAD SPACE T/R | D 5 |
| HW7 | C 8812-7 | 5.5" CABLE TIE | A 6 |
| HW8 | C 8812-7 | 5.5" CABLE TIE | C 6 |
| HW9 | C 8812-7 | 5.5" CABLE TIE | N 6 |
| HW10 | C 8812-7 | 5.5" CABLE TIE | P 6 |
| J1 | C 7526-4 | 3POS .1 CENTER MTA HEADER | I 6 |
| J2A | C10570-7 | 20 PIN HDR PICOFLEX TIN | I 3 |
| J2B | C10571-5 | 18 PIN HDR PICOFLEX TIN | I 2 |
| J700 | D 8681-5 | CABLE, 10 INCH 12 PIN MTA | P 6 |
| J701 | D 8680-7 | CABLE, 6 INCH 12 PIN MTA | N 6 |
| | | | |
| | | | |
| | | | |

INACTIVE

For Reference Use Only

CROWN INTERNATIONAL INC.

1718 WEST MISHAWAKA ROAD ELKHART, INDIANA 46517 PHONE (219) 294-8800

THESE DRAWINGS AND SPECIFICATIONS ARE THE PROPERTY OF CROWN INTERNATIONAL, INC. AND SHALL NOT BE REPRODUCED, COPIED, OR USED AS THE BASIS FOR THE MANUFACTURE OR SALE OF APPARATUS OR DEVICES WITHOUT PERMISSION.

| | | | | | |
|-------|---------|----------|----------|-------------------|-----|
| DRAWN | TLM | 06-09-97 | DWG. NO. | SHEET 11 | REV |
| PROJ. | MD36808 | | 102755 | CONT. ON SHEET 12 | (B) |

PARTS LIST

| REF DES | C. P. N. | DESCRIPTION | MAP LOC. |
|---------|----------|------------------------------|----------|
| J800 | D 8680-7 | CABLE, 6 INCH 12 PIN MTA | B 6 |
| J801 | D 8681-5 | CABLE, 10 INCH 12 PIN MTA | A 6 |
| J901X | 100375-1 | HDR, 14PIN, VERT, DOUBLE ROW | H 4 |
| N100 | D 6082-8 | RESISTOR NETWORK-C | L 3 |
| N200 | D 6082-8 | RESISTOR NETWORK-C | E 3 |
| Q100 | C 3625-8 | 2N4125 30V PNP T/R | K 2 |
| Q101 | C 3625-8 | 2N4125 30V PNP T/R | K 2 |
| Q102 | D 2961-7 | SP58010 60V NPN T/R | M 4 |
| Q103 | C 3786-8 | MPS4250A 40V PNP T/R | M 2 |
| Q104 | C 3578-9 | MPSA93 200V PNP T/R | M 3 |
| Q105 | C 3810-6 | MPSA42 300V NPN T/R | M 2 |
| Q106 | C 3578-9 | MPSA93 200V PNP T/R | M 2 |
| Q107 | C 5891-4 | MTS105 THERMAL SENSE T/R | O 5 |
| Q108 | C 3786-8 | MPS4250A 40V PNP T/R | O 5 |
| Q109 | C 3810-6 | MPSA42 300V NPN T/R | M 4 |
| Q110 | C 5891-4 | MTS105 THERMAL SENSE T/R | O 5 |
| Q111 | C 3786-8 | MPS4250A 40V PNP T/R | O 5 |
| Q112 | D 2962-5 | MPSA18 45V NPN T/R | K 4 |
| Q113 | C 7458-0 | 2N4123 30V NPN T/R | J 4 |
| Q114 | C 3625-8 | 2N4125 30V PNP T/R | J 3 |
| Q115 | C 3786-8 | MPS4250A 40V PNP T/R | K 3 |
| Q116 | C 3625-8 | 2N4125 30V PNP T/R | O 1 |
| Q117 | C 7458-0 | 2N4123 30V NPN T/R | O 1 |
| Q118 | C 3625-8 | 2N4125 30V PNP T/R | M 5 |
| Q119 | C 7458-0 | 2N4123 30V NPN T/R | M 5 |
| Q120 | C 3625-8 | 2N4125 30V PNP T/R | M 4 |
| Q121 | C 7458-0 | 2N4123 30V NPN T/R | M 4 |
| Q122 | C 3625-8 | 2N4125 30V PNP T/R | M 4 |
| Q123 | C 3625-8 | 2N4125 30V PNP T/R | M 5 |
| Q124 | C 3625-8 | 2N4125 30V PNP T/R | M 4 |
| Q125 | C 3625-8 | 2N4125 30V PNP T/R | M 4 |
| Q126 | C 7458-0 | 2N4123 30V NPN T/R | L 4 |
| Q127 | C 3810-6 | MPSA42 300V NPN T/R | K 4 |
| Q128 | C 7458-0 | 2N4123 30V NPN T/R | M 4 |
| Q129 | C 3625-8 | 2N4125 30V PNP T/R | M 4 |
| Q130 | C 3578-9 | MPSA93 200V PNP T/R | L 4 |
| Q131 | C 7597-5 | J202 N-CHANNEL JFET | J 6 |
| Q200 | C 3625-8 | 2N4125 30V PNP T/R | F 2 |
| Q201 | C 3625-8 | 2N4125 30V PNP T/R | F 2 |
| Q202 | D 2961-7 | SP58010 60V NPN T/R | D 4 |
| Q203 | C 3786-8 | MPS4250A 40V PNP T/R | D 2 |
| Q204 | C 3578-9 | MPSA93 200V PNP T/R | D 3 |
| Q205 | C 3810-6 | MPSA42 300V NPN T/R | C 2 |
| Q206 | C 3578-9 | MPSA93 200V PNP T/R | C 2 |
| Q207 | C 5891-4 | MTS105 THERMAL SENSE T/R | A 5 |
| Q208 | C 3786-8 | MPS4250A 40V PNP T/R | A 5 |
| Q209 | C 3810-6 | MPSA42 300V NPN T/R | D 4 |
| | | | |
| | | | |
| | | | |

INACTIVE

For Reference Use Only

THESE DRAWINGS AND SPECIFICATIONS ARE THE PROPERTY OF CROWN INTERNATIONAL, INC. AND SHALL NOT BE REPRODUCED, COPIED, OR USED AS THE BASIS FOR THE MANUFACTURE OR SALE OF APPARATUS OR DEVICES WITHOUT PERMISSION.

| | | | |
|---------------------------------|---------|------------------------|----------------------------------|
| CROWN INTERNATIONAL INC. | | | |
| 1718 WEST MISHAWAKA ROAD | | ELKHART, INDIANA 46517 | PHONE (219) 294-8000 |
| DRAWN | TLM | 86-09-97 | DWG. NO. |
| PROJ. | MD360D0 | 102755 | |
| | | | SHEET 12 CONT. ON SHEET 13 |
| | | | (B) |

PARTS LIST

| REF DES | C. P. N. | DESCRIPTION | MAP LOC. |
|---------|--------------|----------------------------|----------|
| Q210 | C 5891-4 | MTS105 THERMAL SENSE T/R | A 5 |
| Q211 | C 3786-8 | MPS4250A 40V PNP T/R | B 5 |
| Q212 | D 2962-5 | MPSA18 45V NPN T/R | F 4 |
| Q213 | C 7458-0 | 2N4123 30V NPN T/R | G 4 |
| Q214 | C 3625-8 | 2N4125 30V PNP T/R | G 3 |
| Q215 | C 3786-8 | MPS4250A 40V PNP T/R | F 3 |
| Q216 | C 3625-8 | 2N4125 30V PNP T/R | B 1 |
| Q217 | C 7458-0 | 2N4123 30V NPN T/R | B 1 |
| Q218 | C 3625-8 | 2N4125 30V PNP T/R | C 5 |
| Q219 | C 7458-0 | 2N4123 30V NPN T/R | C 5 |
| Q220 | C 3625-8 | 2N4125 30V PNP T/R | C 4 |
| Q221 | C 7458-0 | 2N4123 30V NPN T/R | C 4 |
| Q222 | C 3625-8 | 2N4125 30V PNP T/R | C 4 |
| Q223 | C 3625-8 | 2N4125 30V PNP T/R | D 5 |
| Q224 | C 3625-8 | 2N4125 30V PNP T/R | D 4 |
| Q225 | C 3625-8 | 2N4125 30V PNP T/R | D 4 |
| Q226 | C 7458-0 | 2N4123 30V NPN T/R | E 4 |
| Q227 | C 3810-6 | MPSA42 300V NPN T/R | F 4 |
| Q228 | C 7458-0 | 2N4123 30V NPN T/R | D 4 |
| Q229 | C 3625-8 | 2N4125 30V PNP T/R | D 4 |
| Q230 | C 3578-9 | MPSA93 200V PNP T/R | E 4 |
| Q231 | C 7597-5 | J202 N-CHANNEL JFET | G 6 |
| R1 | A10265-46421 | 46.4 KOHM .25W 1% MF T/R | E 2 |
| R2 | A10265-53621 | 53.6 KOHM .25W 1% MF T/R | F 2 |
| R4 | A10265-10031 | 100. KOHM .25W 1 MF T/R | G 5 |
| R5 | A10265-24921 | 24.9 KOHM .25W 1% MF T/R | G 5 |
| R6 | A10265-24921 | 24.9 KOHM .25W 1% MF T/R | F 5 |
| R7 | A10265-10031 | 100. KOHM .25W 1 MF T/R | F 5 |
| R8 | A10266-1051 | 1.0 MOHM .25W 5 CF T/R | H 2 |
| R9 | A10266-1051 | 1.0 MOHM .25W 5 CF T/R | H 2 |
| R10 | A10266-1051 | 1.0 MOHM .25W 5 CF T/R | H 2 |
| R11 | A10266-9111 | 910. OHM .25W 5 CF T/R | I 2 |
| R12 | A10124-24 | WIRE, #24 SOLID BUS | J 6 |
| R13 | A10124-24 | WIRE, #24 SOLID BUS | H 6 |
| R14 | A10266-3921 | 3.9 KOHM .25W 5% CF T/R | G 5 |
| R15 | A10266-3921 | 3.9 KOHM .25W 5% CF T/R | G 6 |
| R16 | A10266-5641 | 560. KOHM .25W 5% CF T/R | G 6 |
| R17 | A10266-1051 | 1.0 MOHM .25W 5 CF T/R | E 6 |
| R18 | A10266-2421 | 2.4 KOHM .25W 5 CF T/R | E 6 |
| R19 | A10266-2421 | 2.4 KOHM .25W 5 CF T/R | E 6 |
| R20 | A10266-1041 | 100. KOHM .25W 5% CF25 T/R | E 6 |
| R21 | A10266-1041 | 100. KOHM .25W 5% CF25 T/R | E 6 |
| R22 | A10266-1051 | 1.0 MOHM .25W 5 CF T/R | H 5 |
| R23 | A10266-2051 | 2.0 MOHM .25W 5 CF T/R | H 5 |
| R24 | A10266-1031 | 10. KOHM .25W 5% CF T/R | I 6 |
| R25 | A10265-10011 | 1.0 KOHM .25W 1 MF T/R | I 6 |
| R100 | A10265-10021 | 10. KOHM .25W 1 MF T/R | J 3 |
| | | | |
| | | | |
| | | | |

INACTIVE

For Reference Use Only

CROWN INTERNATIONAL INC.

1718 WEST MISHAWAKA ROAD ELKHART, INDIANA 46517 PHONE (219) 294-8888

THESE DRAWINGS AND SPECIFICATIONS ARE THE PROPERTY OF CROWN INTERNATIONAL, INC. AND SHALL NOT BE REPRODUCED, COPIED, OR USED AS THE BASIS FOR THE MANUFACTURE OR SALE OF APPARATUS OR DEVICES WITHOUT PERMISSION.

| | | | | | |
|-------|---------|----------|----------|-------------------|-----|
| DRAWN | TLM | 06-09-97 | DWG. NO. | SHEET 13 | REV |
| PROJ. | MD360D8 | | 102755 | CONT. ON SHEET 14 | (B) |

| PARTS LIST | | | |
|------------|--------------|--------------------------------|----------|
| REF DES | C. P. N. | DESCRIPTION | MAP LOC. |
| R101 | A10265-10021 | 10. KOHM .25W 1 MF T/R | J 3 |
| R102 | A10265-10021 | 10. KOHM .25W 1 MF T/R | J 3 |
| R103 | C 9079-2 | 200.OHM TOP ADJ CERMET TRIMMER | I 2 |
| R104 | A10265-10021 | 10. KOHM .25W 1 MF T/R | J 2 |
| R105 | A10265-49911 | 4.99KOHM .25W 1 MF T/R | I 3 |
| R106 | A10265-49911 | 4.99KOHM .25W 1 MF T/R | I 3 |
| R107 | 101051-1 | 5K. , 10%, LINEAR W/21 DETENT | J 2 |
| R108 | A10265-11821 | 11.8 KOHM .25W 1% MF T/R | I 1 |
| R109 | A10265-24921 | 24.9 KOHM .25W 1% MF T/R | I 1 |
| R110 | A10265-69811 | 6.98 KOHM .25W 1% MF T/R | I 1 |
| R111 | A10265-24921 | 24.9 KOHM .25W 1% MF T/R | K 2 |
| R112 | A10266-2201 | 22.0 OHM .25W 5 CF T/R | J 2 |
| R113 | A10265-49911 | 4.99KOHM .25W 1 MF T/R | K 2 |
| R114 | A10265-10031 | 100. KOHM .25W 1 MF T/R | K 2 |
| R115 | A10265-15031 | 150 KOHM .25 1% MF T/R | J 4 |
| R116 | A10265-10721 | 10.7KOHM .25W 1% MF T/R | I 4 |
| R117 | A10265-20031 | 200.KOHM .25W 1 MF T/R | I 3 |
| R118 | A10265-10521 | 10.5KOHM .25W 1% MF T/R | I 3 |
| R119 | A10265-10031 | 100. KOHM .25W 1 MF T/R | K 2 |
| R120 | A10266-5111 | 510. OHM .25W 5 CF T/R | K 2 |
| R121 | C 5215-6 | 22. MOHM .25W 5 THICK FILM T/R | K 2 |
| R122 | A10266-1321 | 1.3 KOHM .25W 5 CF T/R | K 2 |
| R123 | A10265-49911 | 4.99KOHM .25W 1 MF T/R | K 2 |
| R124 | A10266-1231 | 12.KOHM .25W 5% CF T/R | L 3 |
| R125 | A10266-1231 | 12.KOHM .25W 5% CF T/R | L 2 |
| R126 | A10266-2721 | 2.7 KOHM .25W 5 CF T/R | L 3 |
| R127 | A10266-2721 | 2.7 KOHM .25W 5 CF T/R | L 2 |
| R128 | A10266-6831 | 68. KOHM .25W 5% CF T/R | L 3 |
| R129 | A10266-6831 | 68. KOHM .25W 5% CF T/R | L 3 |
| R130 | A10265-10031 | 100. KOHM .25W 1 MF T/R | L 3 |
| R131 | A10265-10031 | 100. KOHM .25W 1 MF T/R | L 2 |
| R132 | A10266-4701 | 47.0 OHM .25W 5 CF T/R | L 4 |
| R133 | A10266-4701 | 47.0 OHM .25W 5 CF T/R | L 2 |
| R134 | A10266-4711 | 470. OHM .25W 5% CF T/R | M 3 |
| R135 | A10266-2201 | 22.0 OHM .25W 5 CF T/R | M 3 |
| R136 | A10266-8211 | 820. OHM .25W 5% CF T/R | M 3 |
| R137 | A10266-8211 | 820. OHM .25W 5% CF T/R | M 2 |
| R138 | A10266-2201 | 22.0 OHM .25W 5 CF T/R | M 2 |
| R139 | A10266-5601 | 56.0 OHM .25W 5% CF T/R | M 2 |
| R140 | A10266-4721 | 4.7 KOHM .25W 5% CF T/R | P 5 |
| R141 | A10266-5601 | 56.0 OHM .25W 5% CF T/R | M 4 |
| R142 | A10265-66501 | 665. OHM .25W 1 MF T/R | O 5 |
| R143 | A10265-27401 | 274. OHM .25W 1% MF T/R | P 5 |
| R144 | A10265-27401 | 274. OHM .25W 1% MF T/R | O 5 |
| R145 | A10265-66501 | 665. OHM .25W 1 MF T/R | O 5 |
| R146 | A10265-66501 | 665. OHM .25W 1 MF T/R | O 5 |
| R147 | A10265-66501 | 665. OHM .25W 1 MF T/R | O 5 |
| | | | |
| | | | |
| | | | |

INACTIVE

For Reference Use Only

THESE DRAWINGS AND SPECIFICATIONS ARE THE PROPERTY OF CROWN INTERNATIONAL, INC. AND SHALL NOT BE REPRODUCED, COPIED, OR USED AS THE BASIS FOR THE MANUFACTURE OR SALE OF APPARATUS OR DEVICES WITHOUT PERMISSION.

| | | | |
|---------------------------------|---------|------------------------|----------------------------------|
| CROWN INTERNATIONAL INC. | | | |
| 1718 WEST MISHAWAKA ROAD | | ELKHART, INDIANA 46517 | PHONE (219) 294-8000 |
| DRAWN | TLM | 08-09-97 | DWG. NO. |
| PROJ. | MD36000 | | 102755 |
| | | | SHEET 14 CONT. ON SHEET 15 |
| | | | REV (B) |

PARTS LIST

| REF DES | C. P. N. | DESCRIPTION | MAP LOC. |
|---------|--------------|--------------------------------|----------|
| R148 | A10266-1041 | 100. KOHM .25W 5% CF25 T/R | P 5 |
| R149 | A10265-35711 | 3.57KOHM .25W 1 MF T/R | P 5 |
| R150 | A10265-35711 | 3.57KOHM .25W 1 MF T/R | O 5 |
| R151 | A10266-1041 | 100. KOHM .25W 5% CF25 T/R | O 5 |
| R152 | C 8836-6 | 100 OHM .5W 5% FU/FP T/R | K 4 |
| R153 | A10266-1031 | 10. KOHM .25W 5% CF T/R | K 4 |
| R154 | A10266-2721 | 2.7 KOHM .25W 5 CF T/R | K 3 |
| R155 | C 8836-6 | 100 OHM .5W 5% FU/FP T/R | K 3 |
| R156 | A10266-1031 | 10. KOHM .25W 5% CF T/R | K 3 |
| R157 | A10266-2721 | 2.7 KOHM .25W 5 CF T/R | K 3 |
| R158 | A10266-3021 | 3.0 KOHM .25W 5 CF T/R | J 4 |
| R159 | A10265-10011 | 1.0 KOHM .25W 1 MF T/R | K 3 |
| R160 | A10265-10021 | 10. KOHM .25W 1 MF T/R | J 3 |
| R161 | A10266-4721 | 4.7 KOHM .25W 5% CF T/R | J 3 |
| R162 | A10266-4721 | 4.7 KOHM .25W 5% CF T/R | J 3 |
| R163 | A10265-10021 | 10. KOHM .25W 1 MF T/R | J 3 |
| R164 | C 5215-6 | 22. MOHM .25W 5 THICK FILM T/R | K 3 |
| R165 | A10265-27431 | 274.KOHM .25W 1% MF T/R | J 4 |
| R166 | A10265-95311 | 9.53KOHM .25W 1% MF T/R | I 4 |
| R167 | A10266-1321 | 1.3 KOHM .25W 5 CF T/R | K 3 |
| R168 | A10124-24 | WIRE, #24 SOLID BUS | K 3 |
| R169 | A10265-27431 | 274.KOHM .25W 1% MF T/R | J 2 |
| R170 | A10265-95311 | 9.53KOHM .25W 1% MF T/R | J 2 |
| R171 | A10266-5621 | 5.6 KOHM .25W 5% CF T/R | P 3 |
| R172 | A10266-1541 | 150. KOHM .25W 5% CF T/R | O 3 |
| R173 | A10265-17821 | 17.8KOHM .25W 1% MF T/R | O 3 |
| R174 | A10265-24921 | 24.9 KOHM .25W 1% MF T/R | O 3 |
| R175 | A10265-49911 | 4.99KOHM .25W 1 MF T/R | O 3 |
| R176 | A10265-68111 | 6.81KOHM .25W 1% MF T/R | O 3 |
| R177 | A10265-33221 | 33.2KOHM .25W 1% MF T/R | O 4 |
| R178 | A10265-10021 | 10. KOHM .25W 1 MF T/R | O 4 |
| R179 | A10265-20011 | 2.0 KOHM .25W 1% MF T/R | O 3 |
| R180 | A10265-20011 | 2.0 KOHM .25W 1% MF T/R | O 3 |
| R181 | A10265-10001 | 100. OHM .25W 1 MF T/R | O 2 |
| R182 | A10265-51121 | 51.1 KOHM .25W 1% MF T/R | O 2 |
| R183 | A10265-68111 | 6.81KOHM .25W 1% MF T/R | O 2 |
| R184 | A10265-10001 | 100. OHM .25W 1 MF T/R | O 2 |
| R185 | A10266-2741 | 270. KOHM .25W 5% CF25 T/R | O 2 |
| R186 | C 5062-2 | 100KOHM LINEAR TRIMPOT | O 2 |
| R187 | A10265-14321 | 14.3 KOHM .25W 1% MF T/R | O 4 |
| R188 | A10265-32421 | 32.4KOHM .25 1% MF T/R | O 4 |
| R189 | A10265-19121 | 19.1KOHM .25W 1% MF T/R | O 4 |
| R190 | A10265-33221 | 33.2KOHM .25W 1% MF T/R | P 3 |
| R191 | A10265-10021 | 10. KOHM .25W 1 MF T/R | P 3 |
| R192 | A10265-20011 | 2.0 KOHM .25W 1% MF T/R | P 3 |
| R193 | A10265-20011 | 2.0 KOHM .25W 1% MF T/R | P 4 |
| R194 | A10265-68111 | 6.81KOHM .25W 1% MF T/R | P 3 |
| | | | |
| | | | |
| | | | |

INACTIVE

For Reference Use Only

CROWN INTERNATIONAL INC.

1718 WEST MISHAWAKA ROAD ELKHART, INDIANA 46517 PHONE (219) 294-8000

THESE DRAWINGS AND SPECIFICATIONS ARE THE PROPERTY OF CROWN INTERNATIONAL, INC. AND SHALL NOT BE REPRODUCED, COPIED, OR USED AS THE BASIS FOR THE MANUFACTURE OR SALE OF APPARATUS OR DEVICES WITHOUT PERMISSION.

| | | | | | |
|-------|---------|----------|----------|-------------------|-----|
| DRAWN | TLM | 06-09-97 | DWG. NO. | SHEET 15 | REV |
| PROJ. | MD360D0 | | 102755 | CONT. ON SHEET 18 | Ⓟ |

PARTS LIST

| REF DES | C. P. N. | DESCRIPTION | MAP LOC. |
|---------|--------------|--------------------------------|----------|
| R195 | A10265-10001 | 100. OHM .25W 1 MF T/R | P 2 |
| R196 | A10265-51121 | 51.1 KOHM .25W 1% MF T/R | P 2 |
| R197 | A10265-68111 | 6.81KOHM .25W 1% MF T/R | P 2 |
| R198 | A10265-10001 | 100. OHM .25W 1 MF T/R | P 2 |
| R199 | A10266-2741 | 270. KOHM .25W 5% CF25 T/R | P 2 |
| R200 | A10265-10021 | 10. KOHM .25W 1 MF T/R | G 3 |
| R201 | A10265-10021 | 10. KOHM .25W 1 MF T/R | G 3 |
| R202 | A10265-10021 | 10. KOHM .25W 1 MF T/R | G 3 |
| R203 | C 9079-2 | 200.OHM TOP ADJ CERMET TRIMMER | H 1 |
| R204 | A10265-10021 | 10. KOHM .25W 1 MF T/R | G 2 |
| R205 | A10265-49911 | 4.99KOHM .25W 1 MF T/R | H 3 |
| R206 | A10265-49911 | 4.99KOHM .25W 1 MF T/R | H 3 |
| R207 | 101051-1 | 5K. , 10%, LINEAR W/21 DETENT | F 2 |
| R208 | A10265-11821 | 11.8 KOHM .25W 1% MF T/R | H 1 |
| R209 | A10265-24921 | 24.9 KOHM .25W 1% MF T/R | H 1 |
| R210 | A10265-69811 | 6.98 KOHM .25W 1% MF T/R | H 1 |
| R211 | A10265-24921 | 24.9 KOHM .25W 1% MF T/R | F 2 |
| R212 | A10266-2201 | 22.0 OHM .25W 5 CF T/R | G 2 |
| R213 | A10265-49911 | 4.99KOHM .25W 1 MF T/R | F 2 |
| R214 | A10265-10031 | 100. KOHM .25W 1 MF T/R | F 2 |
| R215 | A10265-15031 | 150 KOHM .25 1% MF T/R | G 4 |
| R216 | A10265-10721 | 10.7KOHM .25W 1% MF T/R | H 4 |
| R217 | A10265-20031 | 200.KOHM .25W 1 MF T/R | H 3 |
| R218 | A10265-10521 | 10.5KOHM .25W 1% MF T/R | H 3 |
| R219 | A10265-10031 | 100. KOHM .25W 1 MF T/R | F 2 |
| R220 | A10266-5111 | 510. OHM .25W 5 CF T/R | F 2 |
| R221 | C 5215-6 | 22. MOHM .25W 5 THICK FILM T/R | F 2 |
| R222 | A10266-1321 | 1.3 KOHM .25W 5 CF T/R | F 2 |
| R223 | A10265-49911 | 4.99KOHM .25W 1 MF T/R | F 2 |
| R224 | A10266-1231 | 12.KOHM .25W 5% CF T/R | E 3 |
| R225 | A10266-1231 | 12.KOHM .25W 5% CF T/R | E 2 |
| R226 | A10266-2721 | 2.7 KOHM .25W 5 CF T/R | E 3 |
| R227 | A10266-2721 | 2.7 KOHM .25W 5 CF T/R | E 2 |
| R228 | A10266-6831 | 68. KOHM .25W 5% CF T/R | E 3 |
| R229 | A10266-6831 | 68. KOHM .25W 5% CF T/R | E 3 |
| R230 | A10265-10031 | 100. KOHM .25W 1 MF T/R | E 3 |
| R231 | A10265-10031 | 100. KOHM .25W 1 MF T/R | E 2 |
| R232 | A10266-4701 | 47.0 OHM .25W 5 CF T/R | E 4 |
| R233 | A10266-4701 | 47.0 OHM .25W 5 CF T/R | E 2 |
| R234 | A10266-4711 | 470. OHM .25W 5% CF T/R | D 3 |
| R235 | A10266-2201 | 22.0 OHM .25W 5 CF T/R | D 3 |
| R236 | A10266-8211 | 820. OHM .25W 5% CF T/R | D 3 |
| R237 | A10266-8211 | 820. OHM .25W 5% CF T/R | D 2 |
| R238 | A10266-2201 | 22.0 OHM .25W 5 CF T/R | D 2 |
| R239 | A10266-5601 | 56.0 OHM .25W 5% CF T/R | D 2 |
| R240 | A10266-4721 | 4.7 KOHM .25W 5% CF T/R | A 5 |
| R241 | A10266-5601 | 56.0 OHM .25W 5% CF T/R | D 4 |
| | | | |
| | | | |
| | | | |

INACTIVE

For Reference Use Only

THESE DRAWINGS AND SPECIFICATIONS ARE THE PROPERTY OF CROWN INTERNATIONAL, INC. AND SHALL NOT BE REPRODUCED, COPIED, OR USED AS THE BASIS FOR THE MANUFACTURE OR SALE OF APPARATUS OR DEVICES WITHOUT PERMISSION.

CROWN INTERNATIONAL INC.

1718 WEST MISHAWAKA ROAD ELKHART, INDIANA 46517 PHONE (219) 294-8000

| | | | | | |
|-------|---------|----------|----------|-------------------|-----|
| DRAWN | TLM | 06-09-97 | DWG. NO. | SHEET 18 | REV |
| PROJ. | MD360D0 | | 102755 | CONT. ON SHEET 17 | (B) |

| PARTS LIST | | | |
|------------|--------------|--------------------------------|----------|
| REF DES | C. P. N. | DESCRIPTION | MAP LOC. |
| R242 | A10265-66501 | 665. OHM .25W 1 MF T/R | B 5 |
| R243 | A10265-27401 | 274. OHM .25W 1% MF T/R | A 5 |
| R244 | A10265-27401 | 274. OHM .25W 1% MF T/R | B 5 |
| R245 | A10265-66501 | 665. OHM .25W 1 MF T/R | B 5 |
| R246 | A10265-66501 | 665. OHM .25W 1 MF T/R | B 5 |
| R247 | A10265-66501 | 665. OHM .25W 1 MF T/R | B 5 |
| R248 | A10266-1041 | 100. KOHM .25W 5% CF25 T/R | A 5 |
| R249 | A10265-35711 | 3.57KOHM .25W 1 MF T/R | A 5 |
| R250 | A10265-35711 | 3.57KOHM .25W 1 MF T/R | B 5 |
| R251 | A10266-1041 | 100. KOHM .25W 5% CF25 T/R | B 5 |
| R252 | C 8836-6 | 100 OHM .5W 5% FU/FP T/R | F 4 |
| R253 | A10266-1031 | 10. KOHM .25W 5% CF T/R | E 4 |
| R254 | A10266-2721 | 2.7 KOHM .25W 5 CF T/R | E 3 |
| R255 | C 8836-6 | 100 OHM .5W 5% FU/FP T/R | F 3 |
| R256 | A10266-1031 | 10. KOHM .25W 5% CF T/R | E 3 |
| R257 | A10266-2721 | 2.7 KOHM .25W 5 CF T/R | E 3 |
| R258 | A10266-3021 | 3.0 KOHM .25W 5 CF T/R | G 4 |
| R259 | A10265-10011 | 1.0 KOHM .25W 1 MF T/R | F 3 |
| R260 | A10265-10021 | 10. KOHM .25W 1 MF T/R | G 3 |
| R261 | A10266-4721 | 4.7 KOHM .25W 5% CF T/R | G 3 |
| R262 | A10266-4721 | 4.7 KOHM .25W 5% CF T/R | G 3 |
| R263 | A10265-10021 | 10. KOHM .25W 1 MF T/R | G 3 |
| R264 | C 5215-6 | 22. MOHM .25W 5 THICK FILM T/R | F 3 |
| R265 | A10265-27431 | 274. KOHM .25W 1% MF T/R | G 4 |
| R266 | A10265-95311 | 9.53KOHM .25W 1% MF T/R | H 4 |
| R267 | A10266-1321 | 1.3 KOHM .25W 5 CF T/R | F 3 |
| R268 | A10124-24 | WIRE, #24 SOLID BUS | F 3 |
| R269 | A10265-27431 | 274. KOHM .25W 1% MF T/R | G 2 |
| R270 | A10265-95311 | 9.53KOHM .25W 1% MF T/R | G 2 |
| R271 | A10266-5621 | 5.6 KOHM .25W 5% CF T/R | B 3 |
| R272 | A10266-1541 | 150. KOHM .25W 5% CF T/R | A 3 |
| R273 | A10265-17821 | 17.8KOHM .25W 1% MF T/R | A 3 |
| R274 | A10265-24921 | 24.9 KOHM .25W 1% MF T/R | A 3 |
| R275 | A10265-49911 | 4.99KOHM .25W 1 MF T/R | A 3 |
| R276 | A10265-68111 | 6.81KOHM .25W 1% MF T/R | A 3 |
| R277 | A10265-33221 | 33.2KOHM .25W 1% MF T/R | A 4 |
| R278 | A10265-10021 | 10. KOHM .25W 1 MF T/R | A 4 |
| R279 | A10265-20011 | 2.0 KOHM .25W 1% MF T/R | A 3 |
| R280 | A10265-20011 | 2.0 KOHM .25W 1% MF T/R | A 3 |
| R281 | A10265-10001 | 100. OHM .25W 1 MF T/R | A 2 |
| R282 | A10265-51121 | 51.1 KOHM .25W 1% MF T/R | A 2 |
| R283 | A10265-68111 | 6.81KOHM .25W 1% MF T/R | A 2 |
| R284 | A10265-10001 | 100. OHM .25W 1 MF T/R | A 2 |
| R285 | A10266-2741 | 270. KOHM .25W 5% CF25 T/R | A 2 |
| R286 | C 5062-2 | 100KOHM LINEAR TRIMPOT | A 2 |
| R287 | A10265-14321 | 14.3 KOHM .25W 1% MF T/R | A 4 |
| R288 | A10265-32421 | 32.4KOHM .25 1% MF T/R | A 4 |
| | | | |
| | | | |
| | | | |

INACTIVE

For Reference Use Only

CROWN INTERNATIONAL INC.

1718 WEST MISHAWAKA ROAD ELKHART, INDIANA 46517 PHONE (219) 294-8888

| | | | | | |
|-------|---------|----------|----------|----------|-----|
| DRAWN | TLM | 08-09-97 | DWG. NO. | SHEET 17 | REV |
| PROJ. | MD380D8 | | 102755 | CONT. ON | (B) |
| | | | | SHEET 18 | |

THESE DRAWINGS AND SPECIFICATIONS ARE THE PROPERTY OF CROWN INTERNATIONAL, INC. AND SHALL NOT BE REPRODUCED, COPIED, OR USED AS THE BASIS FOR THE MANUFACTURE OR SALE OF APPARATUS OR DEVICES WITHOUT PERMISSION.

PARTS LIST

| REF DES | C.P.N. | DESCRIPTION | MAP LOC. |
|---------|--------------|----------------------------|----------|
| R289 | A10265-19121 | 19.1KOHM .25W 1% MF T/R | A 4 |
| R290 | A10265-33221 | 33.2KOHM .25W 1% MF T/R | B 3 |
| R291 | A10265-10021 | 10. KOHM .25W 1 MF T/R | B 3 |
| R292 | A10265-20011 | 2.0 KOHM .25W 1% MF T/R | B 4 |
| R293 | A10265-20011 | 2.0 KOHM .25W 1% MF T/R | B 4 |
| R294 | A10265-68111 | 6.81KOHM .25W 1% MF T/R | B 3 |
| R295 | A10265-10001 | 100. OHM .25W 1 MF T/R | B 2 |
| R296 | A10265-51121 | 51.1 KOHM .25W 1% MF T/R | B 2 |
| R297 | A10265-68111 | 6.81KOHM .25W 1% MF T/R | B 2 |
| R298 | A10265-10001 | 100. OHM .25W 1 MF T/R | B 2 |
| R299 | A10266-2741 | 270. KOHM .25W 5% CF25 T/R | B 2 |
| R300 | C 5062-2 | 100KOHM LINEAR TRIMPOT | P 2 |
| R301 | A10265-14321 | 14.3 KOHM .25W 1% MF T/R | P 4 |
| R302 | A10265-32421 | 32.4KOHM .25 1% MF T/R | P 4 |
| R303 | A10265-19121 | 19.1KOHM .25W 1% MF T/R | P 4 |
| R304 | A10265-39221 | 39.2KOHM .25W 1% MF T/R | P 4 |
| R305 | A10265-35731 | 357.KOHM .25W 1 MF T/R | P 4 |
| R306 | A10266-3021 | 3.0 KOHM .25W 5 CF T/R | O 1 |
| R307 | A10266-1521 | 1.5 KOHM .25W 5% CF T/R | O 1 |
| R308 | A10266-1041 | 100. KOHM .25W 5% CF25 T/R | O 1 |
| R309 | C 7779-9 | 22. OHM .25W 5% FU/FP T/R | N 5 |
| R310 | A10266-4711 | 470. OHM .25W 5% CF T/R | N 5 |
| R311 | A10266-4711 | 470. OHM .25W 5% CF T/R | N 5 |
| R312 | C 7779-9 | 22. OHM .25W 5% FU/FP T/R | N 5 |
| R313 | A10266-4711 | 470. OHM .25W 5% CF T/R | N 5 |
| R314 | C 7779-9 | 22. OHM .25W 5% FU/FP T/R | N 4 |
| R315 | A10266-4711 | 470. OHM .25W 5% CF T/R | N 4 |
| R316 | A10266-4711 | 470. OHM .25W 5% CF T/R | N 4 |
| R317 | A10266-4711 | 470. OHM .25W 5% CF T/R | N 4 |
| R318 | C 7779-9 | 22. OHM .25W 5% FU/FP T/R | N 4 |
| R319 | A10266-2731 | 27. KOHM .25W 5 CF T/R | N 5 |
| R320 | A10266-3321 | 3.3 KOHM .25W 5% CF T/R | L 5 |
| R321 | A10266-3321 | 3.3 KOHM .25W 5% CF T/R | L 5 |
| R322 | A10266-2051 | 2.0 MOHM .25W 5 CF T/R | K 5 |
| R323 | A10266-1521 | 1.5 KOHM .25W 5% CF T/R | L 5 |
| R324 | A10266-4711 | 470. OHM .25W 5% CF T/R | K 5 |
| R325 | A10266-1041 | 100. KOHM .25W 5% CF25 T/R | K 5 |
| R326 | A10266-5121 | 5.1 KOHM .25W 5 CF T/R | K 5 |
| R327 | A10266-7521 | 7.5 KOHM .25W 5% CF T/R | K 5 |
| R328 | A10266-8231 | 82. KOHM .25W 5% CF T/R | L 5 |
| R329 | A10265-51121 | 51.1 KOHM .25W 1% MF T/R | L 6 |
| R330 | A10266-4741 | 470. KOHM .25W 5% CF T/R | L 5 |
| R331 | A10266-2751 | 2.7 MOHM .25W 5% CF T/R | L 5 |
| R338 | A10266-1041 | 100. KOHM .25W 5% CF25 T/R | J 6 |
| R339 | A10266-4731 | 47. KOHM .25W 5% CF25 T/R | J 6 |
| R340 | A10266-5121 | 5.1 KOHM .25W 5 CF T/R | L 6 |
| R341 | A10266-2031 | 20. KOHM .25W 5 CF T/R | L 6 |
| | | | |
| | | | |
| | | | |

INACTIVE

For Reference Use Only

CROWN INTERNATIONAL INC.

1718 WEST MISHAWAKA ROAD ELKHART, INDIANA 46517 PHONE (219) 294-8000

THESE DRAWINGS AND SPECIFICATIONS ARE THE PROPERTY OF CROWN INTERNATIONAL, INC. AND SHALL NOT BE REPRODUCED, COPIED, OR USED AS THE BASIS FOR THE MANUFACTURE OR SALE OF APPARATUS OR DEVICES WITHOUT PERMISSION.

| | | | | | |
|-------|---------|----------|----------|-------------------|-----|
| DRAWN | TLM | 08-09-97 | DWG. NO. | SHEET 18 | REV |
| PROJ. | MD360D8 | | 102755 | CONT. ON SHEET 19 | (B) |

PARTS LIST

| REF DES | C. P. N. | DESCRIPTION | MAP LOC. |
|---------|--------------|----------------------------|----------|
| R342 | A10266-3921 | 3.9 KOHM .25W 5% CF T/R | L 5 |
| R343 | A10266-1031 | 10. KOHM .25W 5% CF T/R | L 5 |
| R344 | A10266-4731 | 47. KOHM .25W 5% CF25 T/R | L 4 |
| R345 | A10266-1031 | 10. KOHM .25W 5% CF T/R | L 5 |
| R346 | A10266-4731 | 47. KOHM .25W 5% CF25 T/R | L 4 |
| R347 | A10266-1031 | 10. KOHM .25W 5% CF T/R | L 4 |
| R348 | A10266-1031 | 10. KOHM .25W 5% CF T/R | L 4 |
| R349 | A10266-1031 | 10. KOHM .25W 5% CF T/R | L 4 |
| R350 | A10266-4701 | 47.0 OHM .25W 5 CF T/R | L 5 |
| R351 | A10266-2031 | 20. KOHM .25W 5 CF T/R | K 4 |
| R352 | A10266-1031 | 10. KOHM .25W 5% CF T/R | L 4 |
| R353 | A10266-4731 | 47. KOHM .25W 5% CF25 T/R | L 4 |
| R354 | A10266-4731 | 47. KOHM .25W 5% CF25 T/R | L 4 |
| R355 | A10266-4731 | 47. KOHM .25W 5% CF25 T/R | L 4 |
| R356 | A10266-4731 | 47. KOHM .25W 5% CF25 T/R | L 4 |
| R357 | A10266-1031 | 10. KOHM .25W 5% CF T/R | L 5 |
| R358 | A10266-2031 | 20. KOHM .25W 5 CF T/R | L 4 |
| R359 | A10265-10R01 | 10.0 OHM .25W 1 MF T/R | N 4 |
| R360 | A10266-1211 | 120. OHM .25W 5 CF T/R | N 4 |
| R361 | C 6048-0 | 500 OHM PIHER TRIM | N 4 |
| R362 | A10265-10R01 | 10.0 OHM .25W 1 MF T/R | N 4 |
| R363 | A10265-30111 | 3.01KOHM .25W 1 MF T/R | N 3 |
| R364 | A10265-18221 | 18.2KOHM .25W 1% MF T/R | N 3 |
| R365 | A10265-30111 | 3.01KOHM .25W 1 MF T/R | N 3 |
| R366 | A10265-18221 | 18.2KOHM .25W 1% MF T/R | N 3 |
| R367 | A10265-10011 | 1.0 KOHM .25W 1 MF T/R | N 3 |
| R368 | A10266-4711 | 470. OHM .25W 5% CF T/R | J 4 |
| R369 | A10266-4711 | 470. OHM .25W 5% CF T/R | J 4 |
| R400 | C 5062-2 | 100KOHM LINEAR TRIMPOT | B 2 |
| R401 | A10265-14321 | 14.3 KOHM .25W 1% MF T/R | B 4 |
| R402 | A10265-32421 | 32.4KOHM .25 1% MF T/R | B 4 |
| R403 | A10265-19121 | 19.1KOHM .25W 1% MF T/R | B 4 |
| R404 | A10265-39221 | 39.2KOHM .25W 1% MF T/R | B 4 |
| R405 | A10265-35731 | 357. KOHM .25W 1 MF T/R | B 5 |
| R406 | A10266-3021 | 3.0 KOHM .25W 5 CF T/R | B 1 |
| R407 | A10266-1521 | 1.5 KOHM .25W 5% CF T/R | B 1 |
| R408 | A10266-1041 | 100. KOHM .25W 5% CF25 T/R | B 1 |
| R409 | C 7779-9 | 22. OHM .25W 5% FU/FP T/R | C 5 |
| R410 | A10266-4711 | 470. OHM .25W 5% CF T/R | C 5 |
| R411 | A10266-4711 | 470. OHM .25W 5% CF T/R | C 5 |
| R412 | C 7779-9 | 22. OHM .25W 5% FU/FP T/R | C 5 |
| R413 | A10266-4711 | 470. OHM .25W 5% CF T/R | C 5 |
| R414 | C 7779-9 | 22. OHM .25W 5% FU/FP T/R | C 4 |
| R415 | A10266-4711 | 470. OHM .25W 5% CF T/R | C 4 |
| R416 | A10266-4711 | 470. OHM .25W 5% CF T/R | C 4 |
| R417 | A10266-4711 | 470. OHM .25W 5% CF T/R | C 4 |
| R418 | C 7779-9 | 22. OHM .25W 5% FU/FP T/R | C 4 |
| | | | |
| | | | |
| | | | |

INACTIVE

For Reference Use Only

CROWN INTERNATIONAL INC.

1718 WEST MISHAWAKA ROAD ELKHART, INDIANA 46517 PHONE (219) 294-8888

THESE DRAWINGS AND SPECIFICATIONS ARE THE PROPERTY OF CROWN INTERNATIONAL, INC. AND SHALL NOT BE REPRODUCED, COPIED, OR USED AS THE BASIS FOR THE MANUFACTURE OR SALE OF APPARATUS OR DEVICES WITHOUT PERMISSION.

| | | | | | |
|-------|---------|----------|----------|-------------------|-----|
| DRAWN | TLM | 06-09-97 | DWG. NO. | SHEET 19 | REV |
| PROJ. | MD360D0 | | 102755 | CONT. ON SHEET 20 | (B) |

PARTS LIST

| REF DES | C. P. N. | DESCRIPTION | MAP LOC. |
|---------|--------------|----------------------------|----------|
| R419 | A10266-2731 | 27. KOHM .25W 5 CF T/R | C 5 |
| R420 | A10266-3321 | 3.3 KOHM .25W 5% CF T/R | E 5 |
| R421 | A10266-3321 | 3.3 KOHM .25W 5% CF T/R | E 5 |
| R422 | A10266-2051 | 2.0 MOHM .25W 5 CF T/R | F 5 |
| R423 | A10266-1521 | 1.5 KOHM .25W 5% CF T/R | E 5 |
| R424 | A10266-4711 | 470. OHM .25W 5% CF T/R | F 5 |
| R425 | A10266-1041 | 100. KOHM .25W 5% CF25 T/R | F 5 |
| R426 | A10266-5121 | 5.1 KOHM .25W 5 CF T/R | F 5 |
| R427 | A10266-7521 | 7.5 KOHM .25W 5% CF T/R | F 5 |
| R428 | A10266-8231 | 82. KOHM .25W 5% CF T/R | E 5 |
| R429 | A10265-51121 | 51.1 KOHM .25W 1% MF T/R | E 6 |
| R430 | A10266-4741 | 470. KOHM .25W 5% CF T/R | E 5 |
| R431 | A10266-2751 | 2.7 MOHM .25W 5% CF T/R | E 5 |
| R438 | A10266-1041 | 100. KOHM .25W 5% CF25 T/R | G 6 |
| R439 | A10266-4731 | 47. KOHM .25W 5% CF25 T/R | G 6 |
| R440 | A10266-5121 | 5.1 KOHM .25W 5 CF T/R | E 6 |
| R441 | A10266-2031 | 20. KOHM .25W 5 CF T/R | E 6 |
| R442 | A10266-3921 | 3.9 KOHM .25W 5% CF T/R | E 5 |
| R443 | A10266-1031 | 10. KOHM .25W 5% CF T/R | E 5 |
| R444 | A10266-4731 | 47. KOHM .25W 5% CF25 T/R | E 4 |
| R445 | A10266-1031 | 10. KOHM .25W 5% CF T/R | E 5 |
| R446 | A10266-4731 | 47. KOHM .25W 5% CF25 T/R | E 4 |
| R447 | A10266-1031 | 10. KOHM .25W 5% CF T/R | E 4 |
| R448 | A10266-1031 | 10. KOHM .25W 5% CF T/R | E 4 |
| R449 | A10266-1031 | 10. KOHM .25W 5% CF T/R | E 4 |
| R450 | A10266-4701 | 47.0 OHM .25W 5 CF T/R | E 5 |
| R451 | A10266-2031 | 20. KOHM .25W 5 CF T/R | F 4 |
| R452 | A10266-1031 | 10. KOHM .25W 5% CF T/R | E 4 |
| R453 | A10266-4731 | 47. KOHM .25W 5% CF25 T/R | E 4 |
| R454 | A10266-4731 | 47. KOHM .25W 5% CF25 T/R | E 4 |
| R455 | A10266-4731 | 47. KOHM .25W 5% CF25 T/R | E 4 |
| R456 | A10266-4731 | 47. KOHM .25W 5% CF25 T/R | E 4 |
| R457 | A10266-1031 | 10. KOHM .25W 5% CF T/R | E 5 |
| R458 | A10266-2031 | 20. KOHM .25W 5 CF T/R | E 4 |
| R459 | A10265-10R01 | 10.0 OHM .25W 1 MF T/R | C 3 |
| R460 | A10266-1211 | 120. OHM .25W 5 CF T/R | C 3 |
| R461 | C 6048-0 | 500 OHM PIHER TRIM | C 4 |
| R462 | A10265-10R01 | 10.0 OHM .25W 1 MF T/R | C 4 |
| R463 | A10265-30111 | 3.01KOHM .25W 1 MF T/R | C 3 |
| R464 | A10265-18221 | 18.2KOHM .25W 1% MF T/R | C 3 |
| R465 | A10265-30111 | 3.01KOHM .25W 1 MF T/R | C 3 |
| R466 | A10265-18221 | 18.2KOHM .25W 1% MF T/R | C 3 |
| R467 | A10265-10011 | 1.0 KOHM .25W 1 MF T/R | C 3 |
| R468 | A10266-4711 | 470. OHM .25W 5% CF T/R | G 4 |
| R469 | A10266-4711 | 470. OHM .25W 5% CF T/R | G 4 |
| S1 | C 7960-5 | DPDT 3POS PC SLIDE SWITCH | I 1 |
| S2 | C 6781-6 | 6P3T MONO/STEREO SWITCH | C 1 |
| | | | |
| | | | |
| | | | |

INACTIVE

For Reference Use Only

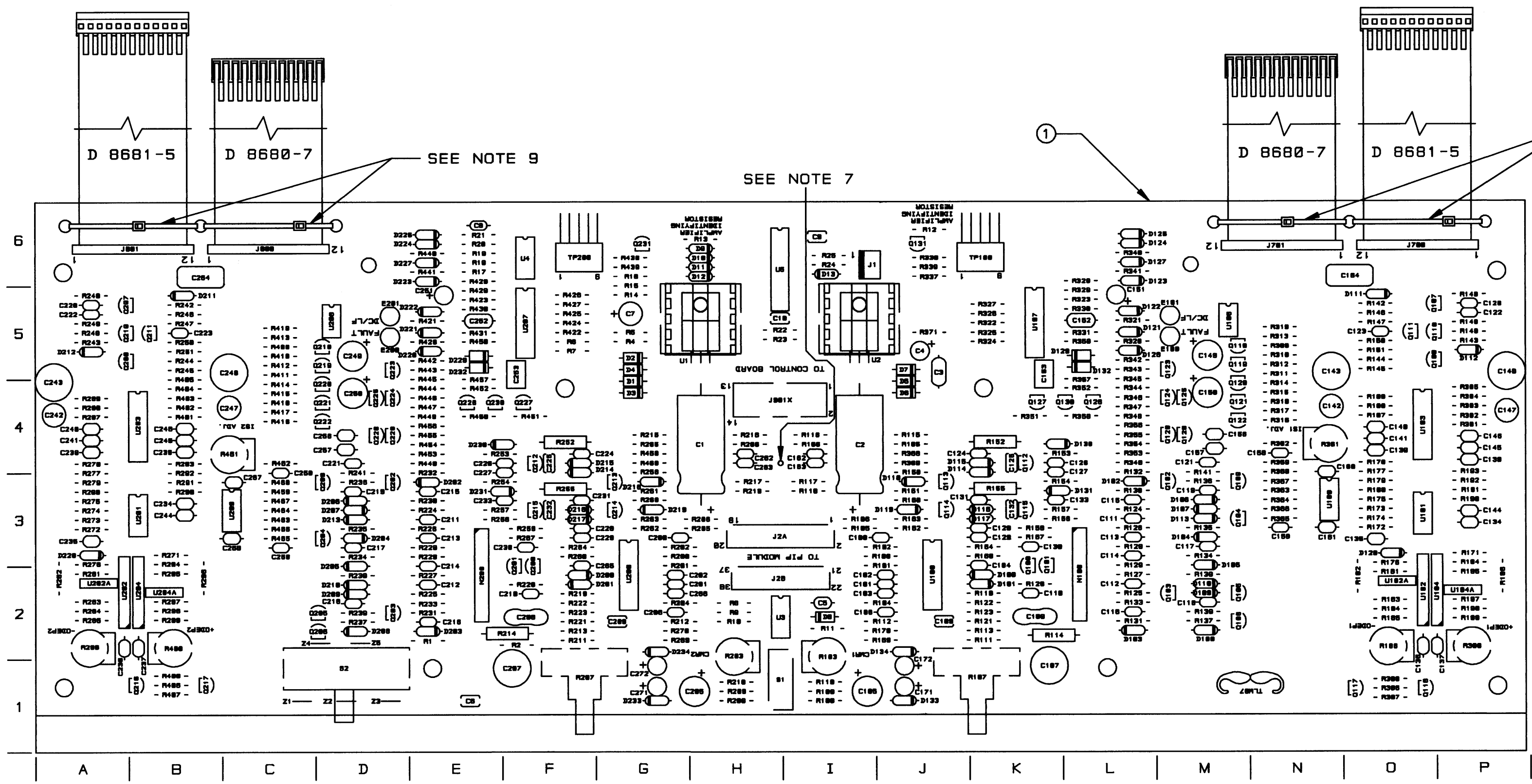
THESE DRAWINGS AND SPECIFICATIONS ARE THE PROPERTY OF CROWN INTERNATIONAL, INC. AND SHALL NOT BE REPRODUCED, COPIED, OR USED AS THE BASIS FOR THE MANUFACTURE OR SALE OF APPARATUS OR DEVICES WITHOUT PERMISSION.

CROWN INTERNATIONAL INC.

1718 WEST MISHAWAKA ROAD ELKHART, INDIANA 46517 PHONE (219) 294-8000

| | | | | | |
|-------|---------|----------|----------|-------------------|-----|
| DRAWN | TLM | 06-09-97 | DWG. NO. | SHEET 20 | REV |
| PROJ. | MD36000 | | 102755 | CONT. ON SHEET 21 | (B) |

COMPONENT MAP (COMPONENT SIDE VIEW)



SEE NOTE 9

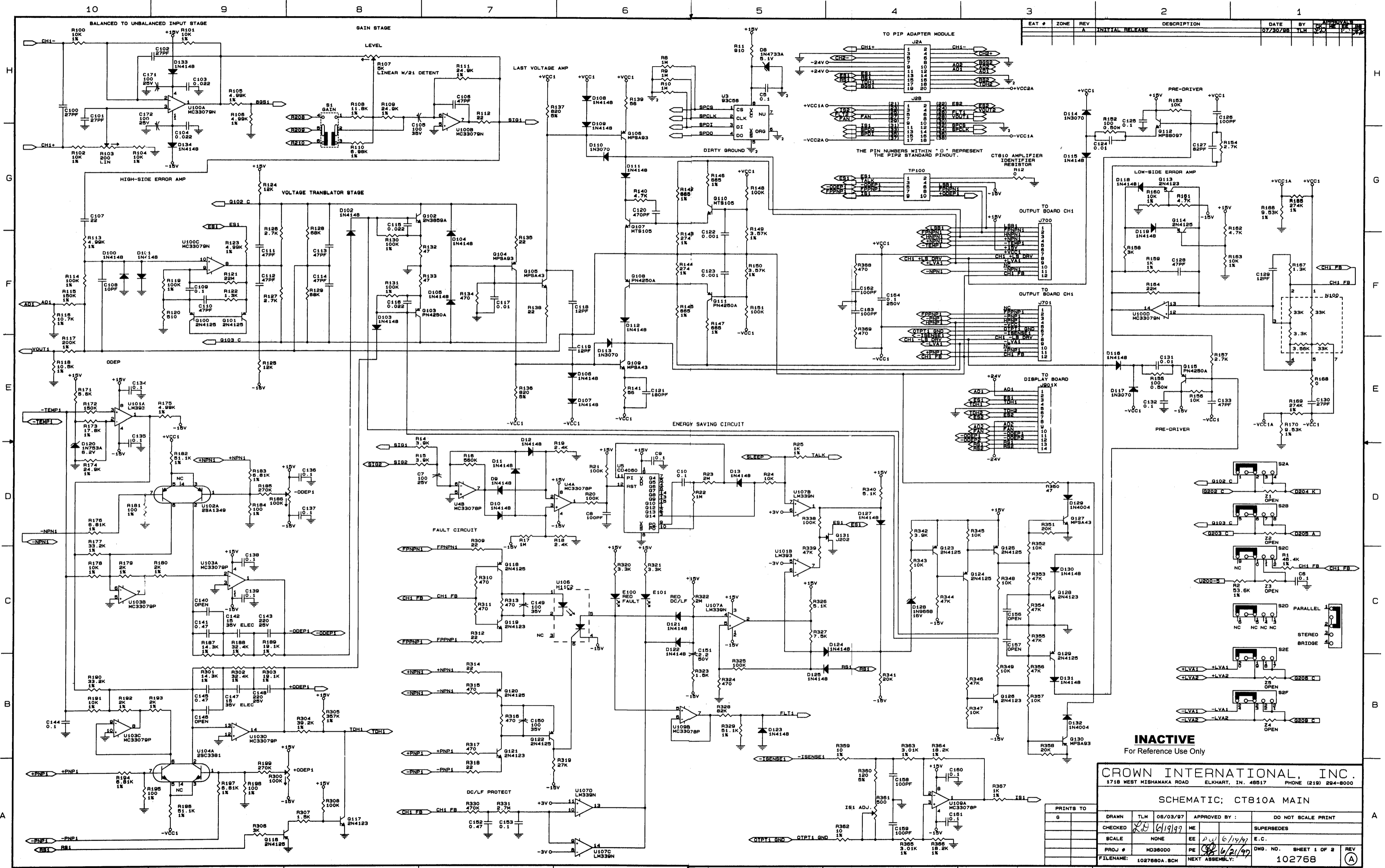
SEE NOTE 7

1

INACTIVE
For Reference Use Only

| | | | |
|---------------------------------|---------|------------------------|---------------------------------|
| CROWN INTERNATIONAL INC. | | | |
| 1718 WEST MISHAWAKA ROAD | | ELKHART, INDIANA 46517 | |
| | | PHONE (219) 294-8000 | |
| DRAWN | TLM | 86-09-97 | DWG. NO. 102755 |
| PROJ. | MD360D8 | | SHEET 22 CONT. ON SHEET - |
| | | | REV (B) |

THESE DRAWINGS AND SPECIFICATIONS ARE THE PROPERTY OF CROWN INTERNATIONAL, INC. AND SHALL NOT BE REPRODUCED, COPIED, OR USED AS THE BASIS FOR THE MANUFACTURE OR SALE OF APPARATUS OR DEVICES WITHOUT PERMISSION.



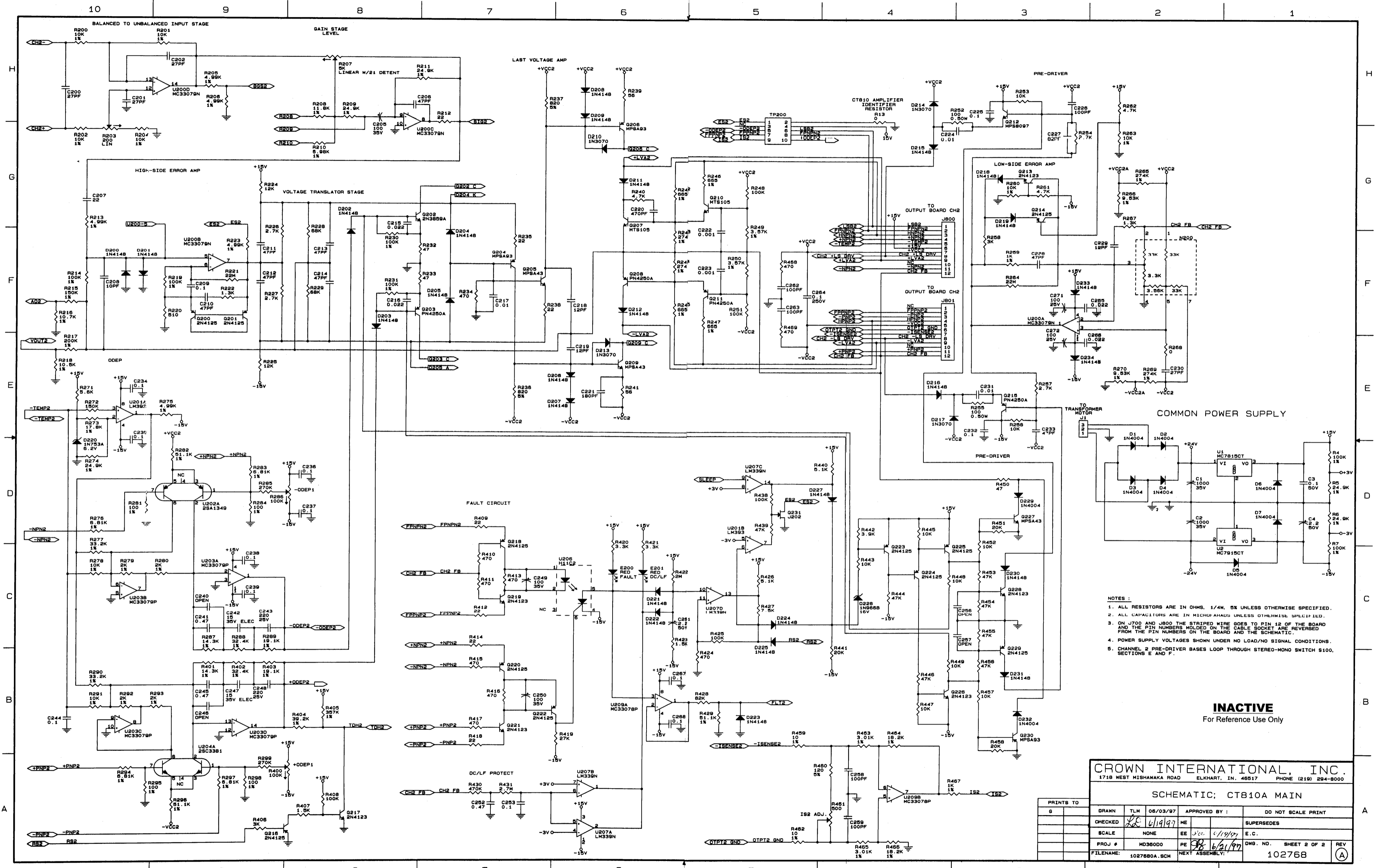
| DATE | BY | APPROVAL | DESCRIPTION | ZONE | REV | EA# |
|----------|----|----------|-----------------|------|-----|-----|
| 07/25/98 | YK | | INITIAL RELEASE | A | | |

INACTIVE
For Reference Use Only

CROWN INTERNATIONAL, INC.
1718 WEST MISHAWAKA ROAD ELKHART, IN. 46517 PHONE (219) 294-9000

SCHEMATIC; CT810A MAIN

| | | | | | |
|-----------|-----------|-------------|----------|----------------|-----------------------|
| PRINTS TO | DRAWN | TLH | 08/03/97 | APPROVED BY: | DO NOT SCALE PRINT |
| G | CHECKED | RJ | 6/19/97 | ME | SUPERSEDES |
| | SCALE | NONE | | EE | E.C. |
| | PROJ # | MD36000 | | PE | DWG. NO. SHEET 1 OF 2 |
| | FILENAME: | 102780A.SCH | | NEXT ASSEMBLY: | 102768 |



- NOTES:
- ALL RESISTORS ARE IN OHMS. 1/4W, 5% UNLESS OTHERWISE SPECIFIED.
 - ALL CAPACITORS ARE IN MICROAMPS UNLESS OTHERWISE SPECIFIED.
 - ON J700 AND J800 THE STRIPED WIRE GOES TO PIN 12 OF THE BOARD AND THE PIN NUMBERS MOLDED ON THE CABLE SOCKET ARE REVERSED FROM THE PIN NUMBERS ON THE BOARD AND THE SCHEMATIC.
 - POWER SUPPLY VOLTAGES SHOWN UNDER NO LOAD/NO SIGNAL CONDITIONS.
 - CHANNEL 2 PRE-DRIVER BASES LOOP THROUGH STEREO-MONO SWITCH S100, SECTIONS E AND F.

INACTIVE
For Reference Use Only

CROWN INTERNATIONAL, INC.
1718 WEST MISHAWAKA ROAD ELKHART, IN. 46517 PHONE (219) 294-8000

SCHEMATIC; CT810A MAIN

| | | | | | |
|-----------|-----------|--------------|----------------|---------------|---------------------------|
| PRINTS TO | DRAWN | TLN | 06/03/97 | APPROVED BY : | DO NOT SCALE PRINT |
| G | CHECKED | ME | 6/19/97 | ME | SUPERSEDES |
| | SCALE | NONE | EE | 6/19/97 | E.C. |
| | PRJ # | MD36000 | PE | 6/21/97 | DWG. NO. SHEET 2 OF 2 REV |
| | FILENAME: | 1027880A.SCH | NEXT ASSEMBLY: | | 102788 (A) |

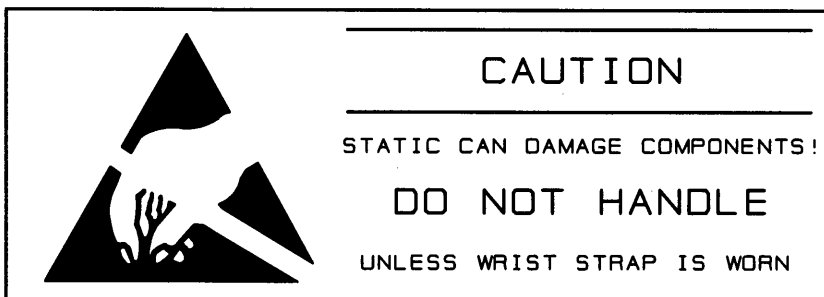
**CT810A Main Module (Dual Pot) Information On Following Pages
Documentation, Component Map**

| E.C.N. | ZONE | REV. | DESCRIPTION | DATE | BY | APPROVALS | | | |
|--------|------|------|-----------------|----------|-----|-----------|----|----|----|
| | | | | | | CHK | ME | EE | PE |
| | | A | INITIAL RELEASE | 09/25/97 | DWM | JLM | | | JS |
| | | | | | | | | | |
| | | | | | | | | | |

UNLESS OTHERWISE SPECIFIED, THE FINISHED PWA SHALL MEET:
IPC-A-610_ CLASS 2

NOTES:

1. SCHEMATIC DRAWING NUMBER 102768.
2. PWB PART NUMBER 125266-1.
3. PWA PART NUMBER 125274-1.
4. ALL LEADS SHALL BE TRIMMED TO 0.093" OR LESS.
5. POSITION COMPONENTS AS SHOWN ON COMPONENT MAP.
6. INSERT 8 PIN IC SOCKET (C 3451-9) AT REFERENCE DESIGNATION LOCATION U3. IC IS INSTALLED ON A LATER ASSEMBLY.
7. REMOVE SOLDER OR PREVENT SOLDER FROM ACCUMULATING IN HOLES INDICATED ON THE COMPONENT MAP.
8. INSTALL HEATSINK (C 9494-3) AT REFERENCE DESIGNATION LOCATIONS U1 AND U2.
9. INSTALL CABLE TIE (C 8812-7) AT REFERENCE DESIGNATION LOCATIONS J700, J701, J800 AND J801.
 - 9A. USE A 0.25" DIAMETER ROD AS A GAUGE TO CHECK THE TIGHTNESS OF THE CABLES.
ON THE COMPONENT SIDE PRESS THE CABLE AGAINST THE BOARD, THE GAUGE SHOULD NOT FIT UNDER THE CABLE TIE.
10. U102, U104, U202 AND U204 ARE ALTERNATE COMPONENT PARTS.
11. THE CROWN PART NUMBER FOR THIS MODULE SHALL BE MARKED ON THE P.C. BOARD AND SHALL BE PERMANENT.



THESE DRAWINGS AND SPECIFICATIONS ARE THE PROPERTY OF CROWN INTERNATIONAL, INC. AND SHALL NOT BE REPRODUCED, COPIED, OR USED AS THE BASIS FOR THE MANUFACTURE OR SALE OF APPARATUS OR DEVICES WITHOUT PERMISSION.

| | | | | | | | | | |
|---------------------------------|--|---|---------|----------|--------------|--|--------------------|---------|-----|
| CROWN INTERNATIONAL INC. | | | | | | | | | |
| PRINTS TO | | 1718 WEST MISHAWAKA ROAD ELKHART, INDIANA 46517 | | | | PHONE (219) 294-8000 | | | |
| K | | PWA; CT810A MAIN (DUAL POT) | | | | TOL. UNLESS SPECIFIED X.XX = ± 0.020 X.XXX = ± 0.010 DRILLS = ± 0.003 | | | |
| | | DRAWN | DWW | 09/25/97 | APPROVED BY: | | DO NOT SCALE PRINT | | |
| | | CHECKED | JLM | 9/25/97 | ME | | SUPERSEDES | | |
| | | SCALE | NONE | | EE | | E.C.N. | | |
| | | PROJ # | MD360D0 | | PE | JS 9-25-97 | DWG. NO. | SHEET 1 | REV |
| | | NEXT ASSEMBLY | | 125274 | | CONT. ON SHEET 2 | | A | |

INACTIVE
For Reference Use Only

PARTS LIST

| C. P. N. | DESCRIPTION | QTY | REFERENCE DESIGNATION |
|--------------|--------------------------|-----|--|
| A10124-24 | WIRE, #24 SOLID BUS | 8" | R12, R13, R168, R268 |
| A10265-10001 | 100. OHM .25W 1 MF T/R | 8 | R181, R184, R195, R198, R281, R284, R295, R298 |
| A10265-10011 | 1.0 KOHM .25W 1 MF T/R | 5 | R159, R25, R259, R367, R467, |
| A10265-10021 | 10. KOHM .25W 1 MF T/R | 16 | R100, R101, R102, R104, R160, R163, R178, R191, R200, R201, R202, R204, R260, R263, R278, R291 |
| A10265-10031 | 100. KOHM .25W 1 MF T/R | 10 | R114, R119, R130, R131, R214, R219, R230, R231, R4, R7 |
| A10265-10521 | 10.5KOHM .25W 1% MF T/R | 2 | R118, R218 |
| A10265-10721 | 10.7KOHM .25W 1% MF T/R | 2 | R116, R216 |
| A10265-10R01 | 10.0 OHM .25W 1 MF T/R | 4 | R359, R362, R459, R462 |
| A10265-11821 | 11.8 KOHM .25W 1% MF T/R | 2 | R108, R208 |
| A10265-14321 | 14.3 KOHM .25W 1% MF T/R | 4 | R187, R287, R301, R401 |
| A10265-15031 | 150 KOHM .25 1% MF T/R | 2 | R115, R215 |
| A10265-17821 | 17.8KOHM .25W 1% MF T/R | 2 | R173, R273 |
| A10265-18221 | 18.2KOHM .25W 1% MF T/R | 4 | R364, R366, R464, R466 |
| A10265-19121 | 19.1KOHM .25W 1% MF T/R | 4 | R189, R289, R303, R403 |
| A10265-20011 | 2.0 KOHM .25W 1% MF T/R | 8 | R179, R180, R192, R193, R279, R280, R292, R293 |
| A10265-20031 | 200. KOHM .25W 1 MF T/R | 2 | R117, R217 |
| A10265-24921 | 24.9 KOHM .25W 1% MF T/R | 8 | R109, R111, R174, R209, R211, R274, R5, R6 |
| A10265-27401 | 274. OHM .25W 1% MF T/R | 4 | R143, R144, R243, R244 |
| A10265-27431 | 274. KOHM .25W 1% MF T/R | 4 | R165, R169, R265, R269 |
| A10265-30111 | 3.01KOHM .25W 1 MF T/R | 4 | R363, R365, R463, R465 |
| A10265-32421 | 32.4KOHM .25 1% MF T/R | 4 | R188, R288, R302, R402 |
| A10265-33221 | 33.2KOHM .25W 1% MF T/R | 4 | R177, R190, R277, R290 |
| A10265-35711 | 3.57KOHM .25W 1 MF T/R | 4 | R149, R150, R249, R250 |
| A10265-35731 | 357. KOHM .25W 1 MF T/R | 2 | R305, R405 |
| A10265-39221 | 39.2KOHM .25W 1% MF T/R | 2 | R304, R404 |
| A10265-46421 | 46.4 KOHM .25W 1% MF T/R | 1 | R1 |
| A10265-49911 | 4.99KOHM .25W 1 MF T/R | 10 | R105, R106, R113, R123, R175, R205, R206, R213, R223, R275, |
| A10265-51121 | 51.1 KOHM .25W 1% MF T/R | 6 | R182, R196, R282, R296, R329, R429 |
| A10265-53621 | 53.6 KOHM .25W 1% MF T/R | 1 | R2 |
| A10265-66501 | 665. OHM .25W 1 MF T/R | 8 | R142, R145, R146, R147, R242, R245, R246, R247 |
| A10265-68111 | 6.81KOHM .25W 1% MF T/R | 8 | R176, R183, R194, R197, R276, R283, R294, R297 |
| A10265-69811 | 6.98 KOHM .25W 1% MF T/R | 2 | R110, R210 |
| A10265-95311 | 9.53KOHM .25W 1% MF T/R | 4 | R166, R170, R266, R270 |
| A10266-1031 | 10. KOHM .25W 5% CF T/R | 19 | R153, R156, R24, R253, R256, R343, R345, R347, R348, R349, R352, R357, R443, R445, R447, |

INACTIVE

For Reference Use Only

CROWN INTERNATIONAL INC.

1718 WEST MISHAWAKA ROAD ELKHART, INDIANA 46517 PHONE (219) 294-8000

THESE DRAWINGS AND SPECIFICATIONS ARE THE PROPERTY OF CROWN INTERNATIONAL, INC. AND SHALL NOT BE REPRODUCED, COPIED, OR USED AS THE BASIS FOR THE MANUFACTURE OR SALE OF APPARATUS OR DEVICES WITHOUT PERMISSION.

| | | | | | |
|-------|---------|----------|----------|----------|-----|
| DRAWN | DWW | 09/25/97 | DWG. NO. | SHEET 2 | REV |
| PROJ. | MD360D0 | | 125274 | CONT. ON | (A) |
| | | | | SHEET 3 | |

PARTS LIST

| C.P.N. | DESCRIPTION | QTY | REFERENCE DESIGNATION |
|--------------|------------------------------|-----|--|
| | | | R448, R449, R452, R457 |
| A10266-1041 | 100. KOHM .25W 5% CF25 T/R | 12 | R148, R151, R20, R21, R248, R251, R300, R325, R338, R408, R425, R438 |
| A10266-1051 | 1.0 MOHM .25W 5 CF T/R | 5 | R10, R17, R22, R8, R9 |
| A10266-1211 | 120. OHM .25W 5 CF T/R | 2 | R360, R460 |
| A10266-1231 | 12. KOHM .25W 5% CF T/R | 4 | R124, R125, R224, R225 |
| A10266-1321 | 1.3 KOHM .25W 5 CF T/R | 4 | R122, R167, R222, R267 |
| A10266-1521 | 1.5 KOHM .25W 5% CF T/R | 4 | R307, R323, R407, R423 |
| A10266-1541 | 150. KOHM .25W 5% CF T/R | 2 | R172, R272 |
| A10266-2031 | 20. KOHM .25W 5 CF T/R | 6 | R341, R351, R358, R441, R451, R458 |
| A10266-2051 | 2.0 MOHM .25W 5 CF T/R | 3 | R23, R322, R422 |
| A10266-2201 | 22.0 OHM .25W 5 CF T/R | 6 | R112, R135, R138, R212, R235, R238 |
| A10266-2421 | 2.4 KOHM .25W 5 CF T/R | 2 | R18, R19 |
| A10266-2721 | 2.7 KOHM .25W 5 CF T/R | 8 | R126, R127, R154, R157, R226, R227, R254, R257 |
| A10266-2731 | 27. KOHM .25W 5 CF T/R | 2 | R319, R419 |
| A10266-2741 | 270. KOHM .25W 5% CF25 T/R | 4 | R185, R199, R285, R299 |
| A10266-2751 | 2.7 MOHM .25W 5% CF T/R | 2 | R331, R431 |
| A10266-3021 | 3.0 KOHM .25W 5 CF T/R | 4 | R158, R258, R306, R406 |
| A10266-3321 | 3.3 KOHM .25W 5% CF T/R | 4 | R320, R321, R420, R421 |
| A10266-3921 | 3.9 KOHM .25W 5% CF T/R | 4 | R14, R15, R342, R442 |
| A10266-4701 | 47.0 OHM .25W 5 CF T/R | 6 | R132, R133, R232, R233, R350, R450 |
| A10266-4711 | 470. OHM .25W 5% CF T/R | 20 | R134, R234, R310, R311, R313, R315, R316, R317, R324, R368, R369, R410, R411, R413, R415, R416, R417, R424, R468, R469, |
| A10266-4721 | 4.7 KOHM .25W 5% CF T/R | 6 | R140, R161, R162, R240, R261, R262 |
| A10266-4731 | 47. KOHM .25W 5% CF25 T/R | 14 | R339, R344, R346, R353, R354, R355, R356, R439, R444, R446, R453, R454, R455, R456 |
| A10266-4741 | 470. KOHM .25W 5% CF T/R | 2 | R330, R430 |
| A10266-5111 | 510. OHM .25W 5 CF T/R | 2 | R120, R220 |
| A10266-5121 | 5.1 KOHM .25W 5 CF T/R | 4 | R326, R340, R426, R440 |
| A10266-5601 | 56.0 OHM .25W 5% CF T/R | 4 | R139, R141, R239, R241 |
| A10266-5621 | 5.6 KOHM .25W 5% CF T/R | 2 | R171, R271 |
| A10266-5641 | 560. KOHM .25W 5% CF T/R | 1 | R16 |
| A10266-6831 | 68. KOHM .25W 5% CF T/R | 4 | R128, R129, R228, R229 |
| A10266-7521 | 7.5 KOHM .25W 5% CF T/R | 2 | R327, R427 |
| A10266-8211 | 820. OHM .25W 5% CF T/R | 4 | R136, R137, R236, R237 |
| A10266-8231 | 82. KOHM .25W 5% CF T/R | 2 | R328, R428 |
| A10266-9111 | 910. OHM .25W 5 CF T/R | 1 | R11 |
| A10434-104JD | .1UF 250V 5% MTL POLY FILM T | 2 | C164, C264 |

INACTIVE

For Reference Use Only

CROWN INTERNATIONAL INC.

1718 WEST MISHAWAKA ROAD ELKHART, INDIANA 46517 PHONE (219) 294-8000

THESE DRAWINGS AND SPECIFICATIONS ARE THE PROPERTY OF CROWN INTERNATIONAL, INC. AND SHALL NOT BE REPRODUCED, COPIED, OR USED AS THE BASIS FOR THE MANUFACTURE OR SALE OF APPARATUS OR DEVICES WITHOUT PERMISSION.

DRAWN DWW 09/25/97
 PROJ. MD360D0

DWG. NO. 125274

SHEET 3
 CONT. ON
 SHEET 4

REV (A)

PARTS LIST

| C. P. N. | DESCRIPTION | QTY | REFERENCE DESIGNATION |
|----------|------------------------------|-----|--|
| C 2851-1 | RECTIFIER, 1N4004 SILICON T/ | 11 | D1, D129, D132, D2, D229, D232, D3, D4, D5, D6, D7 |
| C 3181-2 | DIODE, 1N4148 T/R | 57 | D10, D100, D101, D102, D103, D104, D105, D106, D107, D108, D109, D11, D111, D112, D115, D116, D118, D119, D12, D121, D122, D123, D124, D125, D127, D13, D130, D131, D133, D134, D200, D201, D202, D203, D204, D205, D206, D207, D208, D209, D211, D212, D215, D216, D218, D219, D221, D222, D223, D224, D225, D227, D230, D231, D233, D234, D9 |
| C 3451-9 | IC SOCKET, 8PIN DIP 2-640463 | 1 | U3X |
| C 3533-4 | DIODE, 1N966B 16V ZENER T/R | 2 | D128, D228 |
| C 3578-9 | MPSA93 200V PNP T/R | 6 | Q104, Q106, Q130, Q204, Q206, Q230 |
| C 3625-8 | 2N4125 30V PNP T/R | 22 | Q100, Q101, Q114, Q116, Q118, Q120, Q122, Q123, Q124, Q125, Q129, Q200, Q201, Q214, Q216, Q218, Q220, Q222, Q223, Q224, Q225, Q229 |
| C 3786-8 | MPS4250A 40V PNP T/R | 8 | Q103, Q108, Q111, Q115, Q203, Q208, Q211, Q215 |
| C 3810-6 | MPSA42 300V NPN T/R | 6 | Q105, Q109, Q127, Q205, Q209, Q227 |
| C 4303-1 | 1000UF 35V AXIAL CAP | 2 | C1, C2 |
| C 4345-2 | LM339N VOLT COMPARATOR | 2 | U107, U207 |
| C 5061-4 | DIODE, 1N3070 10K/T&R | 8 | D110, D113, D114, D117, D210, D213, D214, D217 |
| C 5062-2 | 100KOHM LINEAR TRIMPOT | 4 | R186, R286, R300, R400 |
| C 5082-0 | DIODE, 1N4733A 5.1V ZENER T | 1 | D8 |
| C 5095-2 | MC7815CT +15V. REG | 1 | U1 |
| C 5096-0 | MC7915CT -15V. REG | 1 | U2 |
| C 5215-6 | 22. MOHM .25W 5 THICK FILM T | 4 | R121, R164, R221, R264 |
| C 5311-3 | 22UF 50V 20% NP VERT T/A | 2 | C107, C207 |
| C 5362-6 | 2.2UF 50V VERT ELECT T/A | 3 | C151, C251, C4 |
| C 5891-4 | MTS105 THERMAL SENSE T/R | 4 | Q107, Q110, Q207, Q210 |
| C 6048-0 | 500 OHM PIHER TRIM | 2 | R361, R461 |
| C 6411-0 | H11C2 OPTO SCR | 2 | U106, U206 |
| C 6564-6 | 10P DBLROW UNSHRD HDR 87230- | 2 | TP100, TP200 |
| C 6781-6 | 6P3T MONO/STEREO SWITCH | 1 | S2 |
| C 6802-0 | .47UF 50V AXIAL CER T/R 474 | 6 | C141, C145, C152, C241, C245, C252 |
| C 6804-6 | .1UF 50V AXIAL CER T/R 104 | 20 | C134, C135, C136, C137, C138, C139, C144, C160, C161, C234, |

INACTIVE

For Reference Use Only

CROWN INTERNATIONAL INC.

1718 WEST MISHAWAKA ROAD ELKHART, INDIANA 46517 PHONE (219) 294-8000

THESE DRAWINGS AND SPECIFICATIONS ARE THE PROPERTY OF CROWN INTERNATIONAL, INC. AND SHALL NOT BE REPRODUCED, COPIED, OR USED AS THE BASIS FOR THE MANUFACTURE OR SALE OF APPARATUS OR DEVICES WITHOUT PERMISSION.

DRAWN DW 09/25/97 DWG. NO. PROJ. MD360D0

125274

SHEET 4 CONT. ON SHEET 5

REV (A)

PARTS LIST

| C. P. N. | DESCRIPTION | QTY | REFERENCE DESIGNATION |
|----------|------------------------------|-----|-------------------------------|
| | | | C235, C236, C237, C238, C239, |
| | | | C244, C267, C268, C3, C5 |
| C 6805-3 | .022UF 100V AXIALCER T/R 223 | 8 | C103, C104, C115, C116, C215, |
| | | | C216, C265, C266 |
| C 6806-1 | .01UF 100V AXIAL CER T/R 103 | 6 | C117, C124, C131, C217, C224, |
| | | | C231 |
| C 6807-9 | .001UF 100V 10% AXL CER T/R | 4 | C122, C123, C222, C223 |
| C 6808-7 | 470.PF 100V 5% NPO AXL CER T | 2 | C120, C220 |
| C 6810-3 | 180PF 100V AXIAL CER T/R 181 | 2 | C121, C221 |
| C 6811-1 | 100PF 200V 10% NPO AXL CER T | 11 | C126, C158, C159, C162, C163, |
| | | | C226, C258, C259, C262, C263, |
| | | | C8 |
| C 6812-9 | 47PF 200V 10% NPO AXL CER | 16 | C106, C110, C111, C112, C113, |
| | | | C114, C128, C133, C206, C210, |
| | | | C211, C212, C213, C214, C228, |
| | | | C233 |
| C 6813-7 | 27PF 200V 10% NPO AXIAL CER | 8 | C100, C101, C102, C130, C200, |
| | | | C201, C202, C230 |
| C 6814-5 | 12PF 200V AXIAL CER T/R 120 | 6 | C118, C119, C129, C218, C219, |
| | | | C229 |
| C 6950-7 | 82PF 200V 5% NPO AXIAL CER T | 2 | C127, C227 |
| C 7444-0 | LM393 DUAL COMPARATOR | 2 | U101, U201 |
| C 7458-0 | 2N4123 30V NPN T/R | 12 | Q113, Q117, Q119, Q121, Q126, |
| | | | Q128, Q213, Q217, Q219, Q221, |
| | | | Q226, Q228 |
| C 7526-4 | 3POS .1 CENTER MTA HEADER | 1 | J1 |
| C 7558-7 | MC33079P QUAD LOW NOISE OP A | 2 | U103, U203 |
| C 7597-5 | J202 N-CHANNEL JFET | 2 | Q131, Q231 |
| C 7636-1 | MC33078P DUAL LOW NOISE OP A | 3 | U109, U209, U4 |
| C 7779-9 | 22. OHM .25W 5% FU/FP T/R | 8 | R309, R312, R314, R318, R409, |
| | | | R412, R414, R418 |
| C 7960-5 | DPDT 3POS PC SLIDE SWITCH | 1 | S1 |
| C 8182-5 | 1N753A 6.2V .5W ZENER DIODE | 2 | D120, D220 |
| C 8576-8 | 100UF 35V 10% ALUM ELECT T/A | 6 | C105, C149, C150, C205, C249, |
| | | | C250 |
| C 8812-7 | 5.5" CABLE TIE | 4 | HW10, HW7, HW8, HW9 |
| C 8836-6 | 100 OHM .5W 5% FU/FP T/R | 4 | R152, R155, R252, R255 |
| C 8897-8 | .1UF 100V 20% Z5U RAD CER T/ | 11 | C10, C109, C125, C132, C153, |
| | | | C209, C225, C232, C253, C6, |
| | | | C9 |
| C 9079-2 | 200.OHM TOP ADJ CERMET TRIMM | 2 | R103, R203 |
| C 9464-6 | 10PF 100V 5% NPO RAD CER T/R | 2 | C108, C208 |
| C 9494-3 | HEATSINK, T0220 PLUG IN | 2 | U1X, U2X |
| C 9857-1 | LED, RED T1 .1 LEAD SPACE T/ | 4 | E100, E101, E200, E201 |
| C10208-4 | 100.UF 25V 20% RAD ELECT T/R | 5 | C171, C172, C271, C272, C7, |
| C10570-7 | 20 PIN HDR PICO FLEX TIN | 1 | J2A |
| | | | |
| | | | |
| | | | |
| | | | |

INACTIVE

For Reference Use Only

CROWN INTERNATIONAL INC.

1718 WEST MISHAWAKA ROAD ELKHART, INDIANA 46517 PHONE (219) 294-8000

THESE DRAWINGS AND SPECIFICATIONS ARE THE PROPERTY OF CROWN INTERNATIONAL, INC. AND SHALL NOT BE REPRODUCED, COPIED, OR USED AS THE BASIS FOR THE MANUFACTURE OR SALE OF APPARATUS OR DEVICES WITHOUT PERMISSION.

DRAWN DWV 09/25/97
 PROJ. MD360D0

DWG. NO. 125274

SHEET 5
 CONT. ON SHEET 6

REV (A)

PARTS LIST

| REF DES | C.P.N. | DESCRIPTION | MAP LOC. |
|---------|----------|--------------------------------|----------|
| 1 | 125266-1 | PWB. CT'10A MAIN (DUAL POT) | |
| C1 | C 4303-1 | 1000UF 35V AXIAL CAP | H 4 |
| C2 | C 4303-1 | 1000UF 35V AXIAL CAP | I 4 |
| C3 | C 6804-6 | .1UF 50V AXIAL CER T/R 104 | J 5 |
| C4 | C 5362-6 | 2.2UF 50V VERT ELECT T/A | J 5 |
| C5 | C 6804-6 | .1UF 50V AXIAL CER T/R 104 | I 2 |
| C6 | C 8897-8 | .1UF 100V 20% Z5U RAD CER T/R | E 1 |
| C7 | C10208-4 | 100.UF 25V 20% RAD ELECT T/R | G 5 |
| C8 | C 6811-1 | 100PF 200V 10% NPO AXL CER T/R | E 6 |
| C9 | C 8897-8 | .1UF 100V 20% Z5U RAD CER T/R | I 6 |
| C10 | C 8897-8 | .1UF 100V 20% Z5U RAD CER T/R | H 5 |
| C100 | C 6813-7 | 27PF 200V 10% NPO AXIAL CER | J 3 |
| C101 | C 6813-7 | 27PF 200V 10% NPO AXIAL CER | J 2 |
| C102 | C 6813-7 | 27PF 200V 10% NPO AXIAL CER | J 2 |
| C103 | C 6805-3 | .022UF 100V AXIALCER T/R 223 | J 2 |
| C104 | C 6805-3 | .022UF 100V AXIALCER T/R 223 | K 3 |
| C105 | C 8576-8 | 100UF 35V 10% ALUM ELECT T/A | I 1 |
| C106 | C 6812-9 | 47PF 200V 10% NPO AXL CER | J 2 |
| C107 | C 5311-3 | 22UF 50V 20% NP VERT T/A | K 1 |
| C108 | C 9464-6 | 10PF 100V 5% NPO RAD CER T/R | K 2 |
| C109 | C 8897-8 | .1UF 100V 20% Z5U RAD CER T/R | J 2 |
| C110 | C 6812-9 | 47PF 200V 10% NPO AXL CER | K 2 |
| C111 | C 6812-9 | 47PF 200V 10% NPO AXL CER | L 3 |
| C112 | C 6812-9 | 47PF 200V 10% NPO AXL CER | L 2 |
| C113 | C 6812-9 | 47PF 200V 10% NPO AXL CER | L 3 |
| C114 | C 6812-9 | 47PF 200V 10% NPO AXL CER | L 3 |
| C115 | C 6805-3 | .022UF 100V AXIALCER T/R 223 | L 3 |
| C116 | C 6805-3 | .022UF 100V AXIALCER T/R 223 | L 2 |
| C117 | C 6806-1 | .01UF 100V AXIAL CER T/R 103 | M 3 |
| C118 | C 6814-5 | 12PF 200V AXIAL CER T/R 120 | M 2 |
| C119 | C 6814-5 | 12PF 200V AXIAL CER T/R 120 | M 3 |
| C120 | C 6808-7 | 470.PF 100V 5% NPO AXL CER T/R | P 5 |
| C121 | C 6810-3 | 180PF 100V AXIAL CER T/R 181 | M 4 |
| C122 | C 6807-9 | .001UF 100V 10% AXL CER T/R | P 5 |
| C123 | C 6807-9 | .001UF 100V 10% AXL CER T/R | O 5 |
| C124 | C 6806-1 | .01UF 100V AXIAL CER T/R 103 | K 4 |
| C125 | C 8897-8 | .1UF 100V 20% Z5U RAD CER T/R | K 4 |
| C126 | C 6811-1 | 100PF 200V 10% NPO AXL CER T/R | K 4 |
| C127 | C 6950-7 | 82PF 200V 5% NPO AXIAL CER T/R | K 4 |
| C128 | C 6812-9 | 47PF 200V 10% NPO AXL CER | K 3 |
| C129 | C 6814-5 | 12PF 200V AXIAL CER T/R 120 | K 3 |
| C130 | C 6813-7 | 27PF 200V 10% NPO AXIAL CER | K 3 |
| C131 | C 6806-1 | .01UF 100V AXIAL CER T/R 103 | K 3 |
| C132 | C 8897-8 | .1UF 100V 20% Z5U RAD CER T/R | K 3 |
| C133 | C 6812-9 | 47PF 200V 10% NPO AXL CER | K 3 |
| C134 | C 6804-6 | .1UF 50V AXIAL CER T/R 104 | P 3 |
| C135 | C 6804-6 | .1UF 50V AXIAL CER T/R 104 | O 3 |
| | | | |
| | | | |
| | | | |

INACTIVE

For Reference Use Only

CROWN INTERNATIONAL INC.

1718 WEST MISHAWAKA ROAD ELKHART, INDIANA 46517 PHONE (219) 294-8000

THESE DRAWINGS AND SPECIFICATIONS ARE THE PROPERTY OF CROWN INTERNATIONAL, INC. AND SHALL NOT BE REPRODUCED, COPIED, OR USED AS THE BASIS FOR THE MANUFACTURE OR SALE OF APPARATUS OR DEVICES WITHOUT PERMISSION.

| | | | |
|-------|---------|----------|----------|
| DRAWN | DWW | 09/25/97 | DWG. NO. |
| PROJ. | MD360D0 | | 125274 |

| | |
|----------|-----|
| SHEET 7 | REV |
| CONT. ON | (A) |
| SHEET 8 | |

PARTS LIST

| REF DES | C. P. N. | DESCRIPTION | MAP LOC. |
|---------|--------------|--------------------------------|----------|
| C136 | C 6804-6 | .1UF 50V AXIAL CER T/R 104 | O 2 |
| C137 | C 6804-6 | .1UF 50V AXIAL CER T/R 104 | P 2 |
| C138 | C 6804-6 | .1UF 50V AXIAL CER T/R 104 | O 4 |
| C139 | C 6804-6 | .1UF 50V AXIAL CER T/R 104 | P 4 |
| C140 | | DO NOT INSTALL | O 4 |
| C141 | C 6802-0 | .47UF 50V AXIAL CER T/R 474 | O 4 |
| C142 | C10588-9 | 15UF 35V 20% NP RAD ELECT T/R | N 4 |
| C143 | C10587-1 | 220UF 25V 20% NP RAD ELECT T/R | N 5 |
| C144 | C 6804-6 | .1UF 50V AXIAL CER T/R 104 | P 3 |
| C145 | C 6802-0 | .47UF 50V AXIAL CER T/R 474 | P 4 |
| C146 | | DO NOT INSTALL | P 4 |
| C147 | C10588-9 | 15UF 35V 20% NP RAD ELECT T/R | P 4 |
| C148 | C10587-1 | 220UF 25V 20% NP RAD ELECT T/R | P 5 |
| C149 | C 8576-8 | 100UF 35V 10% ALUM ELECT T/A | M 5 |
| C150 | C 8576-8 | 100UF 35V 10% ALUM ELECT T/A | M 4 |
| C151 | C 5362-6 | 2.2UF 50V VERT ELECT T/A | L 5 |
| C152 | C 6802-0 | .47UF 50V AXIAL CER T/R 474 | L 5 |
| C153 | C 8897-8 | .1UF 100V 20% Z5U RAD CER T/R | K 5 |
| C156 | | DO NOT INSTALL | M 4 |
| C157 | | DO NOT INSTALL | M 4 |
| C158 | C 6811-1 | 100PF 200V 10% NPO AXL CER T/R | N 4 |
| C159 | C 6811-1 | 100PF 200V 10% NPO AXL CER T/R | N 3 |
| C160 | C 6804-6 | .1UF 50V AXIAL CER T/R 104 | N 4 |
| C161 | C 6804-6 | .1UF 50V AXIAL CER T/R 104 | N 3 |
| C162 | C 6811-1 | 100PF 200V 10% NPO AXL CER T/R | I 4 |
| C163 | C 6811-1 | 100PF 200V 10% NPO AXL CER T/R | I 4 |
| C164 | A10434-104JD | .1UF 250V 5% MTL POLY FILM T/A | O 6 |
| C171 | C10208-4 | 100 UF 25V 20% RAD ELECT T/R | J 1 |
| C172 | C10208-4 | 100 UF 25V 20% RAD ELECT T/R | J 1 |
| C200 | C 6813-7 | 27PF 200V 10% NPO AXIAL CER | G 3 |
| C201 | C 6813-7 | 27PF 200V 10% NPO AXIAL CER | G 2 |
| C202 | C 6813-7 | 27PF 200V 10% NPO AXIAL CER | G 2 |
| C205 | C 8576-8 | 100UF 35V 10% ALUM ELECT T/A | H 1 |
| C206 | C 6812-9 | 47PF 200V 10% NPO AXL CER | G 2 |
| C207 | C 5311-3 | 22UF 50V 20% NP VERT T/A | F 1 |
| C208 | C 9464-6 | 10PF 100V 5% NPO RAD CER T/R | F 2 |
| C209 | C 8897-8 | .1UF 100V 20% Z5U RAD CER T/R | G 2 |
| C210 | C 6812-9 | 47PF 200V 10% NPO AXL CER | F 2 |
| C211 | C 6812-9 | 47PF 200V 10% NPO AXL CER | E 3 |
| C212 | C 6812-9 | 47PF 200V 10% NPO AXL CER | E 2 |
| C213 | C 6812-9 | 47PF 200V 10% NPO AXL CER | E 3 |
| C214 | C 6812-9 | 47PF 200V 10% NPO AXL CER | E 3 |
| C215 | C 6805-3 | .022UF 100V AXIALCER T/R 223 | E 3 |
| C216 | C 6805-3 | .022UF 100V AXIALCER T/R 223 | E 2 |
| C217 | C 6806-1 | .01UF 100V AXIAL CER T/R 103 | D 3 |
| C218 | C 6814-5 | 12PF 200V AXIAL CER T/R 120 | D 2 |
| C219 | C 6814-5 | 12PF 200V AXIAL CER T/R 120 | D 3 |
| | | | |
| | | | |
| | | | |

INACTIVE

For Reference Use Only

CROWN INTERNATIONAL INC.

1718 WEST MISHAWAKA ROAD ELKHART, INDIANA 46517 PHONE (219) 294-8000

DRAWN DWW 09/25/97

DWG. NO.

SHEET 8
CONT. ON
SHEET 9

REV
(A)

PROJ.

MD360D0

125274

THESE DRAWINGS AND SPECIFICATIONS ARE THE PROPERTY OF CROWN INTERNATIONAL, INC. AND SHALL NOT BE REPRODUCED, COPIED, OR USED AS THE BASIS FOR THE MANUFACTURE OR SALE OF APPARATUS OR DEVICES WITHOUT PERMISSION.

PARTS LIST

| REF DES | C. P. N. | DESCRIPTION | MAP LOC. |
|---------|--------------|--------------------------------|----------|
| C220 | C 6808-7 | 470.PF 100V 5% NPO AXL CER T/R | A 5 |
| C221 | C 6810-3 | 180PF 100V AXIAL CER T/R 181 | D 4 |
| C222 | C 6807-9 | .001UF 100V 10% AXL CER T/R | A 5 |
| C223 | C 6807-9 | .001UF 100V 10% AXL CER T/R | B 5 |
| C224 | C 6806-1 | .01UF 100V AXIAL CER T/R 103 | F 4 |
| C225 | C 8897-8 | .1UF 100V 20% Z5U RAD CER T/R | F 4 |
| C226 | C 6811-1 | 100PF 200V 10% NPO AXL CER T/R | F 4 |
| C227 | C 6950-7 | 82PF 200V 5% NPO AXIAL CER T/R | F 4 |
| C228 | C 6812-9 | 47PF 200V 10% NPO AXL CER | F 3 |
| C229 | C 6814-5 | 12PF 200V AXIAL CER T/R 120 | F 3 |
| C230 | C 6813-7 | 27PF 200V 10% NPO AXIAL CER | F 3 |
| C231 | C 6806-1 | .01UF 100V AXIAL CER T/R 103 | F 3 |
| C232 | C 8897-8 | .1UF 100V 20% Z5U RAD CER T/R | F 3 |
| C233 | C 6812-9 | 47PF 200V 10% NPO AXL CER | F 3 |
| C234 | C 6804-6 | .1UF 50V AXIAL CER T/R 104 | B 3 |
| C235 | C 6804-6 | .1UF 50V AXIAL CER T/R 104 | A 3 |
| C236 | C 6804-6 | .1UF 50V AXIAL CER T/R 104 | A 2 |
| C237 | C 6804-6 | .1UF 50V AXIAL CER T/R 104 | B 2 |
| C238 | C 6804-6 | .1UF 50V AXIAL CER T/R 104 | A 4 |
| C239 | C 6804-6 | .1UF 50V AXIAL CER T/R 104 | B 4 |
| C240 | | DO NOT INSTALL | A 4 |
| C241 | C 6802-0 | .47UF 50V AXIAL CER T/R 474 | A 4 |
| C242 | C10588-9 | 15UF 35V 20% NP RAD ELECT T/R | A 4 |
| C243 | C10587-1 | 220UF 25V 20% NP RAD ELECT T/R | A 4 |
| C244 | C 6804-6 | .1UF 50V AXIAL CER T/R 104 | B 3 |
| C245 | C 6802-0 | .47UF 50V AXIAL CER T/R 474 | B 4 |
| C246 | | DO NOT INSTALL | B 4 |
| C247 | C10588-9 | 15UF 35V 20% NP RAD ELECT T/R | C 4 |
| C248 | C10587-1 | 220UF 25V 20% NP RAD ELECT T/R | C 5 |
| C249 | C 8576-8 | 100UF 35V 10% ALUM ELECT T/A | D 5 |
| C250 | C 8576-8 | 100UF 35V 10% ALUM ELECT T/A | D 4 |
| C251 | C 5362-6 | 2.2UF 50V VERT ELECT T/A | E 5 |
| C252 | C 6802-0 | .47UF 50V AXIAL CER T/R 474 | E 5 |
| C253 | C 8897-8 | .1UF 100V 20% Z5U RAD CER T/R | F 5 |
| C256 | | DO NOT INSTALL | D 4 |
| C257 | | DO NOT INSTALL | D 4 |
| C258 | C 6811-1 | 100PF 200V 10% NPO AXL CER T/R | C 4 |
| C259 | C 6811-1 | 100PF 200V 10% NPO AXL CER T/R | C 3 |
| C262 | C 6811-1 | 100PF 200V 10% NPO AXL CER T/R | H 4 |
| C263 | C 6811-1 | 100PF 200V 10% NPO AXL CER T/R | H 4 |
| C264 | A10434-104JD | .1UF 250V 5% MTL POLY FILM T/A | B 6 |
| C265 | C 6805-3 | .022UF 100V AXIALCER T/R 223 | F 3 |
| C266 | C 6805-3 | .022UF 100V AXIALCER T/R 223 | G 2 |
| C267 | C 6804-6 | .1UF 50V AXIAL CER T/R 104 | C 3 |
| C268 | C 6804-6 | .1UF 50V AXIAL CER T/R 104 | C 3 |
| C271 | C10208-4 | 100.UF 25V 20% RAD ELECT T/R | G 1 |
| C272 | C10208-4 | 100.UF 25V 20% RAD ELECT T/R | G 1 |
| | | | |
| | | | |
| | | | |

INACTIVE

For Reference Use Only

CROWN INTERNATIONAL INC.

1718 WEST MISHAWAKA ROAD ELKHART, INDIANA 46517 PHONE (219) 294-8000

| | | | | | |
|-------|---------|----------|----------|----------|-----|
| DRAWN | DWW | 09/25/97 | DWG. NO. | SHEET 9 | REV |
| PROJ. | MD360D0 | | 125274 | CONT. ON | (A) |
| | | | | SHEET 10 | |

THESE DRAWINGS AND SPECIFICATIONS ARE THE PROPERTY OF CROWN INTERNATIONAL, INC. AND SHALL NOT BE REPRODUCED, COPIED, OR USED AS THE BASIS FOR THE MANUFACTURE OR SALE OF APPARATUS OR DEVICES WITHOUT PERMISSION.

PARTS LIST

| REF DES | C. P. N. | DESCRIPTION | MAP LOC. |
|---------|----------|-------------------------------|----------|
| D1 | C 2851-1 | RECTIFIER, 1N4004 SILICON T/R | G 4 |
| D2 | C 2851-1 | RECTIFIER, 1N4004 SILICON T/R | G 5 |
| D3 | C 2851-1 | RECTIFIER, 1N4004 SILICON T/R | G 4 |
| D4 | C 2851-1 | RECTIFIER, 1N4004 SILICON T/R | G 5 |
| D5 | C 2851-1 | RECTIFIER, 1N4004 SILICON T/R | J 4 |
| D6 | C 2851-1 | RECTIFIER, 1N4004 SILICON T/R | J 4 |
| D7 | C 2851-1 | RECTIFIER, 1N4004 SILICON T/R | J 5 |
| D8 | C 5082-0 | DIODE, 1N4733A 5.1V ZENER T/R | I 2 |
| D9 | C 3181-2 | DIODE, 1N4148 T/R | H 6 |
| D10 | C 3181-2 | DIODE, 1N4148 T/R | H 6 |
| D11 | C 3181-2 | DIODE, 1N4148 T/R | H 6 |
| D12 | C 3181-2 | DIODE, 1N4148 T/R | H 6 |
| D13 | C 3181-2 | DIODE, 1N4148 T/R | I 6 |
| D100 | C 3181-2 | DIODE, 1N4148 T/R | K 2 |
| D101 | C 3181-2 | DIODE, 1N4148 T/R | K 2 |
| D102 | C 3181-2 | DIODE, 1N4148 T/R | L 3 |
| D103 | C 3181-2 | DIODE, 1N4148 T/R | L 2 |
| D104 | C 3181-2 | DIODE, 1N4148 T/R | M 3 |
| D105 | C 3181-2 | DIODE, 1N4148 T/R | M 3 |
| D106 | C 3181-2 | DIODE, 1N4148 T/R | M 3 |
| D107 | C 3181-2 | DIODE, 1N4148 T/R | M 3 |
| D108 | C 3181-2 | DIODE, 1N4148 T/R | M 2 |
| D109 | C 3181-2 | DIODE, 1N4148 T/R | M 2 |
| D110 | C 5061-4 | DIODE, 1N3070 10K/T&R | M 2 |
| D111 | C 3181-2 | DIODE, 1N4148 T/R | O 5 |
| D112 | C 3181-2 | DIODE, 1N4148 T/R | P 5 |
| D113 | C 5061-4 | DIODE, 1N3070 10K/T&R | M 3 |
| D114 | C 5061-4 | DIODE, 1N3070 10K/T&R | K 4 |
| D115 | C 3181-2 | DIODE, 1N4148 T/R | K 4 |
| D116 | C 3181-2 | DIODE, 1N4148 T/R | K 3 |
| D117 | C 5061-4 | DIODE, 1N3070 10K/T&R | K 3 |
| D118 | C 3181-2 | DIODE, 1N4148 T/R | J 3 |
| D119 | C 3181-2 | DIODE, 1N4148 T/R | J 3 |
| D120 | C 8182-5 | 1N753A 6.2V .5W ZENER DIODE | O 3 |
| D121 | C 3181-2 | DIODE, 1N4148 T/R | L 5 |
| D122 | C 3181-2 | DIODE, 1N4148 T/R | L 5 |
| D123 | C 3181-2 | DIODE, 1N4148 T/R | L 6 |
| D124 | C 3181-2 | DIODE, 1N4148 T/R | L 6 |
| D125 | C 3181-2 | DIODE, 1N4148 T/R | L 6 |
| D127 | C 3181-2 | DIODE, 1N4148 T/R | L 6 |
| D128 | C 3533-4 | DIODE, 1N966B 16V ZENER T/R | L 5 |
| D129 | C 2851-1 | RECTIFIER, 1N4004 SILICON T/R | L 5 |
| D130 | C 3181-2 | DIODE, 1N4148 T/R | K 4 |
| D131 | C 3181-2 | DIODE, 1N4148 T/R | K 3 |
| D132 | C 2851-1 | RECTIFIER, 1N4004 SILICON T/R | L 5 |
| D133 | C 3181-2 | DIODE, 1N4148 T/R | J 1 |
| D134 | C 3181-2 | DIODE, 1N4148 T/R | J 2 |
| | | | |
| | | | |
| | | | |

INACTIVE

For Reference Use Only

CROWN INTERNATIONAL INC.

1718 WEST MISHAWAKA ROAD ELKHART, INDIANA 46517 PHONE (219) 294-8000

THESE DRAWINGS AND SPECIFICATIONS ARE THE PROPERTY OF CROWN INTERNATIONAL, INC. AND SHALL NOT BE REPRODUCED, COPIED, OR USED AS THE BASIS FOR THE MANUFACTURE OR SALE OF APPARATUS OR DEVICES WITHOUT PERMISSION.

DRAWN DWV 09/25/97
 PROJ. MD360D0

DWG. NO. 125274

SHEET 10
 CONT. ON SHEET 11

REV (A)

PARTS LIST

| REF DES | C.P.N. | DESCRIPTION | MAP LOC. |
|---------|----------|-------------------------------|----------|
| D200 | C 3181-2 | DIODE, 1N4148 T/R | F 2 |
| D201 | C 3181-2 | DIODE, 1N4148 T/R | F 2 |
| D202 | C 3181-2 | DIODE, 1N4148 T/R | E 3 |
| D203 | C 3181-2 | DIODE, 1N4148 T/R | E 2 |
| D204 | C 3181-2 | DIODE, 1N4148 T/R | D 3 |
| D205 | C 3181-2 | DIODE, 1N4148 T/R | D 3 |
| D206 | C 3181-2 | DIODE, 1N4148 T/R | D 3 |
| D207 | C 3181-2 | DIODE, 1N4148 T/R | D 3 |
| D208 | C 3181-2 | DIODE, 1N4148 T/R | D 2 |
| D209 | C 3181-2 | DIODE, 1N4148 T/R | D 2 |
| D210 | C 5061-4 | DIODE, 1N3070 10K/T&R | D 2 |
| D211 | C 3181-2 | DIODE, 1N4148 T/R | B 5 |
| D212 | C 3181-2 | DIODE, 1N4148 T/R | A 5 |
| D213 | C 5061-4 | DIODE, 1N3070 10K/T&R | D 3 |
| D214 | C 5061-4 | DIODE, 1N3070 10K/T&R | F 4 |
| D215 | C 3181-2 | DIODE, 1N4148 T/R | F 4 |
| D216 | C 3181-2 | DIODE, 1N4148 T/R | F 3 |
| D217 | C 5061-4 | DIODE, 1N3070 10K/T&R | F 3 |
| D218 | C 3181-2 | DIODE, 1N4148 T/R | G 3 |
| D219 | C 3181-2 | DIODE, 1N4148 T/R | G 3 |
| D220 | C 8182-5 | 1N753A 6.2V .5W ZENER DIODE | A 3 |
| D221 | C 3181-2 | DIODE, 1N4148 T/R | E 5 |
| D222 | C 3181-2 | DIODE, 1N4148 T/R | E 5 |
| D223 | C 3181-2 | DIODE, 1N4148 T/R | E 6 |
| D224 | C 3181-2 | DIODE, 1N4148 T/R | E 6 |
| D225 | C 3181-2 | DIODE, 1N4148 T/R | E 6 |
| D227 | C 3181-2 | DIODE, 1N4148 T/R | E 6 |
| D228 | C 3533-4 | DIODE, 1N966B 16V ZENER T/R | E 5 |
| D229 | C 2851-1 | RECTIFIER, 1N4004 SILICON T/R | E 5 |
| D230 | C 3181-2 | DIODE, 1N4148 T/R | F 4 |
| D231 | C 3181-2 | DIODE, 1N4148 T/R | F 3 |
| D232 | C 2851-1 | RECTIFIER, 1N4004 SILICON T/R | E 5 |
| D233 | C 3181-2 | DIODE, 1N4148 T/R | G 1 |
| D234 | C 3181-2 | DIODE, 1N4148 T/R | G 2 |
| E100 | C 9857-1 | LED, RED T1 .1 LEAD SPACE T/R | M 5 |
| E101 | C 9857-1 | LED, RED T1 .1 LEAD SPACE T/R | M 5 |
| E200 | C 9857-1 | LED, RED T1 .1 LEAD SPACE T/R | D 5 |
| E201 | C 9857-1 | LED, RED T1 .1 LEAD SPACE T/R | D 5 |
| HW7 | C 8812-7 | 5.5" CABLE TIE | A 6 |
| HW8 | C 8812-7 | 5.5" CABLE TIE | C 6 |
| HW9 | C 8812-7 | 5.5" CABLE TIE | N 6 |
| HW10 | C 8812-7 | 5.5" CABLE TIE | P 6 |
| J1 | C 7526-4 | 3POS .1 CENTER MTA HEADER | I 6 |
| J2A | C10570-7 | 20 PIN HDR PICOFLEX TIN | I 3 |
| J2B | C10571-5 | 18 PIN HDR PICOFLEX TIN | I 2 |
| J700 | D 8681-5 | CABLE, 10 INCH 12 PIN MTA | P 6 |
| J701 | D 8680-7 | CABLE, 6 INCH 12 PIN MTA | N 6 |
| | | | |
| | | | |
| | | | |

INACTIVE

For Reference Use Only

CROWN INTERNATIONAL INC.

1718 WEST MISHAWAKA ROAD ELKHART, INDIANA 46517 PHONE (219) 294-8000

THESE DRAWINGS AND SPECIFICATIONS ARE THE PROPERTY OF CROWN INTERNATIONAL, INC. AND SHALL NOT BE REPRODUCED, COPIED OR USED AS THE BASIS FOR THE MANUFACTURE OR SALE OF APPARATUS OR DEVICES WITHOUT PERMISSION.

| | | | |
|-------|---------|----------|----------|
| DRAWN | DWW | 09/25/97 | DWG. NO. |
| PROJ. | MD360D0 | | 125274 |

| | |
|----------|-----|
| SHEET 11 | REV |
| CONT. ON | (A) |
| SHEET 12 | |

PARTS LIST

| REF DES | C.P.N. | DESCRIPTION | MAP LOC. |
|---------|----------|------------------------------|----------|
| J800 | D 8680-7 | CABLE, 6 INCH 12 PIN MTA | B 6 |
| J801 | D 8681-5 | CABLE, 10 INCH 12 PIN MTA | A 6 |
| J901X | 100375-1 | HDR, 14PIN, VERT, DOUBLE ROW | H 4 |
| N100 | D 6082-8 | RESISTOR NETWORK-C | L 3 |
| N200 | D 6082-8 | RESISTOR NETWORK-C | E 3 |
| Q100 | C 3625-8 | 2N4125 30V PNP T/R | K 2 |
| Q101 | C 3625-8 | 2N4125 30V PNP T/R | K 2 |
| Q102 | D 2961-7 | SPS8010 60V NPN T/R | M 4 |
| Q103 | C 3786-8 | MPS4250A 40V PNP T/R | M 2 |
| Q104 | C 3578-9 | MPSA93 200V PNP T/R | M 3 |
| Q105 | C 3810-6 | MPSA42 300V NPN T/R | M 2 |
| Q106 | C 3578-9 | MPSA93 200V PNP T/R | M 2 |
| Q107 | C 5891-4 | MTS105 THERMAL SENSE T/R | O 5 |
| Q108 | C 3786-8 | MPS4250A 40V PNP T/R | O 5 |
| Q109 | C 3810-6 | MPSA42 300V NPN T/R | M 4 |
| Q110 | C 5891-4 | MTS105 THERMAL SENSE T/R | O 5 |
| Q111 | C 3786-8 | MPS4250A 40V PNP T/R | O 5 |
| Q112 | D 2962-5 | MPSA18 45V NPN T/R | K 4 |
| Q113 | C 7458-0 | 2N4123 30V NPN T/R | J 4 |
| Q114 | C 3625-8 | 2N4125 30V PNP T/R | J 3 |
| Q115 | C 3786-8 | MPS4250A 40V PNP T/R | K 3 |
| Q116 | C 3625-8 | 2N4125 30V PNP T/R | O 1 |
| Q117 | C 7458-0 | 2N4123 30V NPN T/R | O 1 |
| Q118 | C 3625-8 | 2N4125 30V PNP T/R | M 5 |
| Q119 | C 7458-0 | 2N4123 30V NPN T/R | M 5 |
| Q120 | C 3625-8 | 2N4125 30V PNP T/R | M 4 |
| Q121 | C 7458-0 | 2N4123 30V NPN T/R | M 4 |
| Q122 | C 3625-8 | 2N4125 30V PNP T/R | M 4 |
| Q123 | C 3625-8 | 2N4125 30V PNP T/R | M 5 |
| Q124 | C 3625-8 | 2N4125 30V PNP T/R | M 4 |
| Q125 | C 3625-8 | 2N4125 30V PNP T/R | M 4 |
| Q126 | C 7458-0 | 2N4123 30V NPN T/R | L 4 |
| Q127 | C 3810-6 | MPSA42 300V NPN T/R | K 4 |
| Q128 | C 7458-0 | 2N4123 30V NPN T/R | M 4 |
| Q129 | C 3625-8 | 2N4125 30V PNP T/R | M 4 |
| Q130 | C 3578-9 | MPSA93 200V PNP T/R | L 4 |
| Q131 | C 7597-5 | J202 N-CHANNEL JFET | J 6 |
| Q200 | C 3625-8 | 2N4125 30V PNP T/R | F 2 |
| Q201 | C 3625-8 | 2N4125 30V PNP T/R | F 2 |
| Q202 | D 2961-7 | SPS8010 60V NPN T/R | D 4 |
| Q203 | C 3786-8 | MPS4250A 40V PNP T/R | D 2 |
| Q204 | C 3578-9 | MPSA93 200V PNP T/R | D 3 |
| Q205 | C 3810-6 | MPSA42 300V NPN T/R | C 2 |
| Q206 | C 3578-9 | MPSA93 200V PNP T/R | C 2 |
| Q207 | C 5891-4 | MTS105 THERMAL SENSE T/R | A 5 |
| Q208 | C 3786-8 | MPS4250A 40V PNP T/R | A 5 |
| Q209 | C 3810-6 | MPSA42 300V NPN T/R | D 4 |
| | | | |
| | | | |
| | | | |

INACTIVE

For Reference Use Only

CROWN INTERNATIONAL INC.

1718 WEST MISHAWAKA ROAD ELKHART, INDIANA 46517 PHONE (219) 294-8000

THESE DRAWINGS AND SPECIFICATIONS ARE THE PROPERTY OF CROWN INTERNATIONAL, INC. AND SHALL NOT BE REPRODUCED, COPIED, OR USED AS THE BASIS FOR THE MANUFACTURE OR SALE OF APPARATUS OR DEVICES WITHOUT PERMISSION.

| | | |
|-------|---------|----------|
| DRAWN | DWW | 09/25/97 |
| PROJ. | MD360D0 | |

DWG. NO.
125274

SHEET 12
CONT. ON
SHEET 13

REV
(A)

PARTS LIST

| REF DES | C.P.N. | DESCRIPTION | MAP LOC. |
|---------|--------------|----------------------------|----------|
| Q210 | C 5891-4 | MTS105 THERMAL SENSE T/R | A 5 |
| Q211 | C 3786-8 | MPS4250A 40V PNP T/R | B 5 |
| Q212 | D 2962-5 | MPSA18 45V NPN T/R | F 4 |
| Q213 | C 7458-0 | 2N4123 30V NPN T/R | G 4 |
| Q214 | C 3625-8 | 2N4125 30V PNP T/R | G 3 |
| Q215 | C 3786-8 | MPS4250A 40V PNP T/R | F 3 |
| Q216 | C 3625-8 | 2N4125 30V PNP T/R | B 1 |
| Q217 | C 7458-0 | 2N4123 30V NPN T/R | B 1 |
| Q218 | C 3625-8 | 2N4125 30V PNP T/R | C 5 |
| Q219 | C 7458-0 | 2N4123 30V NPN T/R | C 5 |
| Q220 | C 3625-8 | 2N4125 30V PNP T/R | C 4 |
| Q221 | C 7458-0 | 2N4123 30V NPN T/R | C 4 |
| Q222 | C 3625-8 | 2N4125 30V PNP T/R | C 4 |
| Q223 | C 3625-8 | 2N4125 30V PNP T/R | D 5 |
| Q224 | C 3625-8 | 2N4125 30V PNP T/R | D 4 |
| Q225 | C 3625-8 | 2N4125 30V PNP T/R | D 4 |
| Q226 | C 7458-0 | 2N4123 30V NPN T/R | E 4 |
| Q227 | C 3810-6 | MPSA42 300V NPN T/R | F 4 |
| Q228 | C 7458-0 | 2N4123 30V NPN T/R | D 4 |
| Q229 | C 3625-8 | 2N4125 30V PNP T/R | D 4 |
| Q230 | C 3578-9 | MPSA93 200V PNP T/R | E 4 |
| Q231 | C 7597-5 | J202 N-CHANNEL JFET | G 6 |
| R1 | A10265-46421 | 46.4 KOHM .25W 1% MF T/R | E 2 |
| R2 | A10265-53621 | 53.6 KOHM .25W 1% MF T/R | F 2 |
| R4 | A10265-10031 | 100. KOHM .25W 1 MF T/R | G 5 |
| R5 | A10265-24921 | 24.9 KOHM .25W 1% MF T/R | G 5 |
| R6 | A10265-24921 | 24.9 KOHM .25W 1% MF T/R | F 5 |
| R7 | A10265-10031 | 100. KOHM .25W 1 MF T/R | F 5 |
| R8 | A10266-1051 | 1.0 MOHM .25W 5 CF T/R | H 2 |
| R9 | A10266-1051 | 1.0 MOHM .25W 5 CF T/R | H 2 |
| R10 | A10266-1051 | 1.0 MOHM .25W 5 CF T/R | H 2 |
| R11 | A10266-9111 | 910. OHM .25W 5 CF T/R | I 2 |
| R12 | A10124-24 | WIRE, #24 SOLID BUS | J 6 |
| R13 | A10124-24 | WIRE, #24 SOLID BUS | H 6 |
| R14 | A10266-3921 | 3.9 KOHM .25W 5% CF T/R | G 5 |
| R15 | A10266-3921 | 3.9 KOHM .25W 5% CF T/R | G 6 |
| R16 | A10266-5641 | 560. KOHM .25W 5% CF T/R | G 6 |
| R17 | A10266-1051 | 1.0 MOHM .25W 5 CF T/R | E 6 |
| R18 | A10266-2421 | 2.4 KOHM .25W 5 CF T/R | E 6 |
| R19 | A10266-2421 | 2.4 KOHM .25W 5 CF T/R | E 6 |
| R20 | A10266-1041 | 100. KOHM .25W 5% CF25 T/R | E 6 |
| R21 | A10266-1041 | 100. KOHM .25W 5% CF25 T/R | E 6 |
| R22 | A10266-1051 | 1.0 MOHM .25W 5 CF T/R | H 5 |
| R23 | A10266-2051 | 2.0 MOHM .25W 5 CF T/R | H 5 |
| R24 | A10266-1031 | 10. KOHM .25W 5% CF T/R | I 6 |
| R25 | A10265-10011 | 1.0 KOHM .25W 1 MF T/R | I 6 |
| R100 | A10265-10021 | 10. KOHM .25W 1 MF T/R | J 3 |
| | | | |
| | | | |
| | | | |

INACTIVE

For Reference Use Only

CROWN INTERNATIONAL INC.

1718 WEST MISHAWAKA ROAD ELKHART, INDIANA 46517 PHONE (219) 294-8000

THESE DRAWINGS AND SPECIFICATIONS ARE THE PROPERTY OF CROWN INTERNATIONAL, INC. AND SHALL NOT BE REPRODUCED, COPIED, OR USED AS THE BASIS FOR THE MANUFACTURE OR SALE OF APPARATUS OR DEVICES WITHOUT PERMISSION.

DRAWN DWW 09/25/97
 PROJ. MD360D0

DWG. NO. 125274

SHEET 13
 CONT. ON 14
 SHEET 14

REV (A)

PARTS LIST

| REF DES | C.P.N. | DESCRIPTION | MAP LOC. |
|---------|--------------|--------------------------------|----------|
| R101 | A10265-10021 | 10. KOHM .25W 1 MF T/R | J 3 |
| R102 | A10265-10021 | 10. KOHM .25W 1 MF T/R | J 3 |
| R103 | C 9079-2 | 200.OHM TOP ADJ CERMET TRIMMER | I 2 |
| R104 | A10265-10021 | 10. KOHM .25W 1 MF T/R | J 2 |
| R105 | A10265-49911 | 4.99KOHM .25W 1 MF T/R | I 3 |
| R106 | A10265-49911 | 4.99KOHM .25W 1 MF T/R | I 3 |
| R107 | 125263-1 | 5K. , 10%, LINEAR W/21 DETENT | J 2 |
| R108 | A10265-11821 | 11.8 KOHM .25W 1% MF T/R | I 1 |
| R109 | A10265-24921 | 24.9 KOHM .25W 1% MF T/R | I 1 |
| R110 | A10265-69811 | 6.98 KOHM .25W 1% MF T/R | I 1 |
| R111 | A10265-24921 | 24.9 KOHM .25W 1% MF T/R | K 2 |
| R112 | A10266-2201 | 22.0 OHM .25W 5 CF T/R | J 2 |
| R113 | A10265-49911 | 4.99KOHM .25W 1 MF T/R | K 2 |
| R114 | A10265-10031 | 100. KOHM .25W 1 MF T/R | K 2 |
| R115 | A10265-15031 | 150 KOHM .25 1% MF T/R | J 4 |
| R116 | A10265-10721 | 10.7KOHM .25W 1% MF T/R | I 4 |
| R117 | A10265-20031 | 200.KOHM .25W 1 MF T/R | I 3 |
| R118 | A10265-10521 | 10.5KOHM .25W 1% MF T/R | I 3 |
| R119 | A10265-10031 | 100. KOHM .25W 1 MF T/R | K 2 |
| R120 | A10266-5111 | 510. OHM .25W 5 CF T/R | K 2 |
| R121 | C 5215-6 | 22. MOHM .25W 5 THICK FILM T/R | K 2 |
| R122 | A10266-1321 | 1.3 KOHM .25W 5 CF T/R | K 2 |
| R123 | A10265-49911 | 4.99KOHM .25W 1 MF T/R | K 2 |
| R124 | A10266-1231 | 12.KOHM .25W 5% CF T/R | L 3 |
| R125 | A10266-1231 | 12.KOHM .25W 5% CF T/R | L 2 |
| R126 | A10266-2721 | 2.7 KOHM .25W 5 CF T/R | L 3 |
| R127 | A10266-2721 | 2.7 KOHM .25W 5 CF T/R | L 2 |
| R128 | A10266-6831 | 68. KOHM .25W 5% CF T/R | L 3 |
| R129 | A10266-6831 | 68. KOHM .25W 5% CF T/R | L 3 |
| R130 | A10265-10031 | 100. KOHM .25W 1 MF T/R | L 3 |
| R131 | A10265-10031 | 100. KOHM .25W 1 MF T/R | L 2 |
| R132 | A10266-4701 | 47.0 OHM .25W 5 CF T/R | L 4 |
| R133 | A10266-4701 | 47.0 OHM .25W 5 CF T/R | L 2 |
| R134 | A10266-4711 | 470. OHM .25W 5% CF T/R | M 3 |
| R135 | A10266-2201 | 22.0 OHM .25W 5 CF T/R | M 3 |
| R136 | A10266-8211 | 820. OHM .25W 5% CF T/R | M 3 |
| R137 | A10266-8211 | 820. OHM .25W 5% CF T/R | M 2 |
| R138 | A10266-2201 | 22.0 OHM .25W 5 CF T/R | M 2 |
| R139 | A10266-5601 | 56.0 OHM .25W 5% CF T/R | M 2 |
| R140 | A10266-4721 | 4.7 KOHM .25W 5% CF T/R | P 5 |
| R141 | A10266-5601 | 56.0 OHM .25W 5% CF T/R | M 4 |
| R142 | A10265-66501 | 665. OHM .25W 1 MF T/R | O 5 |
| R143 | A10265-27401 | 274. OHM .25W 1% MF T/R | P 5 |
| R144 | A10265-27401 | 274. OHM .25W 1% MF T/R | O 5 |
| R145 | A10265-66501 | 665. OHM .25W 1 MF T/R | O 5 |
| R146 | A10265-66501 | 665. OHM .25W 1 MF T/R | O 5 |
| R147 | A10265-66501 | 665. OHM .25W 1 MF T/R | O 5 |
| | | | |
| | | | |
| | | | |

INACTIVE

For Reference Use Only

CROWN INTERNATIONAL INC.

1718 WEST MISHAWAKA ROAD ELKHART, INDIANA 46517 PHONE (219) 294-8000

THESE DRAWINGS AND SPECIFICATIONS ARE THE PROPERTY OF CROWN INTERNATIONAL, INC. AND SHALL NOT BE REPRODUCED, COPIED, OR USED AS THE BASIS FOR THE MANUFACTURE OR SALE OF APPARATUS OR DEVICES WITHOUT PERMISSION.

DRAWN DWW 09/25/97
 PROJ. MD360D0

DWG. NO. 125274

SHEET 14 REV
 CONT. ON SHEET 15 (A)

PARTS LIST

| REF DES | C.P.N. | DESCRIPTION | MAP LOC. |
|---------|--------------|--------------------------------|----------|
| R148 | A10266-1041 | 100. KOHM .25W 5% CF25 T/R | P 5 |
| R149 | A10265-35711 | 3.57KOHM .25W 1 MF T/R | P 5 |
| R150 | A10265-35711 | 3.57KOHM .25W 1 MF T/R | O 5 |
| R151 | A10266-1041 | 100. KOHM .25W 5% CF25 T/R | O 5 |
| R152 | C 8836-6 | 100 OHM .5W 5% FU/FP T/R | K 4 |
| R153 | A10266-1031 | 10. KOHM .25W 5% CF T/R | K 4 |
| R154 | A10266-2721 | 2.7 KOHM .25W 5 CF T/R | K 3 |
| R155 | C 8836-6 | 100 OHM .5W 5% FU/FP T/R | K 3 |
| R156 | A10266-1031 | 10. KOHM .25W 5% CF T/R | K 3 |
| R157 | A10266-2721 | 2.7 KOHM .25W 5 CF T/R | K 3 |
| R158 | A10266-3021 | 3.0 KOHM .25W 5 CF T/R | J 4 |
| R159 | A10265-10011 | 1.0 KOHM .25W 1 MF T/R | K 3 |
| R160 | A10265-10021 | 10. KOHM .25W 1 MF T/R | J 3 |
| R161 | A10266-4721 | 4.7 KOHM .25W 5% CF T/R | J 3 |
| R162 | A10266-4721 | 4.7 KOHM .25W 5% CF T/R | J 3 |
| R163 | A10265-10021 | 10. KOHM .25W 1 MF T/R | J 3 |
| R164 | C 5215-6 | 22. MOHM .25W 5 THICK FILM T/R | K 3 |
| R165 | A10265-27431 | 274.KOHM .25W 1% MF T/R | J 4 |
| R166 | A10265-95311 | 9.53KOHM .25W 1% MF T/R | I 4 |
| R167 | A10266-1321 | 1.3 KOHM .25W 5 CF T/R | K 3 |
| R168 | A10124-24 | WIRE, #24 SOLID BUS | K 3 |
| R169 | A10265-27431 | 274.KOHM .25W 1% MF T/R | J 2 |
| R170 | A10265-95311 | 9.53KOHM .25W 1% MF T/R | J 2 |
| R171 | A10266-5621 | 5.6 KOHM .25W 5% CF T/R | P 3 |
| R172 | A10266-1541 | 150. KOHM .25W 5% CF T/R | O 3 |
| R173 | A10265-17821 | 17.8KOHM .25W 1% MF T/R | O 3 |
| R174 | A10265-24921 | 24.9 KOHM .25W 1% MF T/R | O 3 |
| R175 | A10265-49911 | 4.99KOHM .25W 1 MF T/R | O 3 |
| R176 | A10265-68111 | 6.81KOHM .25W 1% MF T/R | O 3 |
| R177 | A10265-33221 | 33.2KOHM .25W 1% MF T/R | O 4 |
| R178 | A10265-10021 | 10. KOHM .25W 1 MF T/R | O 4 |
| R179 | A10265-20011 | 2.0 KOHM .25W 1% MF T/R | O 3 |
| R180 | A10265-20011 | 2.0 KOHM .25W 1% MF T/R | O 3 |
| R181 | A10265-10001 | 100. OHM .25W 1 MF T/R | O 2 |
| R182 | A10265-51121 | 51.1 KOHM .25W 1% MF T/R | O 2 |
| R183 | A10265-68111 | 6.81KOHM .25W 1% MF T/R | O 2 |
| R184 | A10265-10001 | 100. OHM .25W 1 MF T/R | O 2 |
| R185 | A10266-2741 | 270. KOHM .25W 5% CF25 T/R | O 2 |
| R186 | C 5062-2 | 100KOHM LINEAR TRIMPOT | O 2 |
| R187 | A10265-14321 | 14.3 KOHM .25W 1% MF T/R | O 4 |
| R188 | A10265-32421 | 32.4KOHM .25 1% MF T/R | O 4 |
| R189 | A10265-19121 | 19.1KOHM .25W 1% MF T/R | O 4 |
| R190 | A10265-33221 | 33.2KOHM .25W 1% MF T/R | P 3 |
| R191 | A10265-10021 | 10. KOHM .25W 1 MF T/R | P 3 |
| R192 | A10265-20011 | 2.0 KOHM .25W 1% MF T/R | P 3 |
| R193 | A10265-20011 | 2.0 KOHM .25W 1% MF T/R | P 4 |
| R194 | A10265-68111 | 6.81KOHM .25W 1% MF T/R | P 3 |
| | | | |
| | | | |
| | | | |

INACTIVE

For Reference Use Only

CROWN INTERNATIONAL INC.

1718 WEST MISHAWAKA ROAD ELKHART, INDIANA 46517 PHONE (219) 294-8000

THESE DRAWINGS AND SPECIFICATIONS ARE THE PROPERTY OF CROWN INTERNATIONAL, INC. AND SHALL NOT BE REPRODUCED, COPIED, OR USED AS THE BASIS FOR THE MANUFACTURE OR SALE OF APPARATUS OR DEVICES WITHOUT PERMISSION.

| | | | | | | |
|-------|---------|----------|----------|--------|----------------------------------|------------|
| DRAWN | DWW | 09/25/97 | DWG. NO. | 125274 | SHEET 15 CONT. ON SHEET 16 | REV (A) |
| PROJ. | MD360D0 | | | | | |

PARTS LIST

| REF DES | C.P.N. | DESCRIPTION | MAP LOC. |
|---------|--------------|--------------------------------|----------|
| R195 | A10265-10001 | 100. OHM .25W 1 MF T/R | P 2 |
| R196 | A10265-51121 | 51.1 KOHM .25W 1% MF T/R | P 2 |
| R197 | A10265-68111 | 6.81KOHM .25W 1% MF T/R | P 2 |
| R198 | A10265-10001 | 100. OHM .25W 1 MF T/R | P 2 |
| R199 | A10266-2741 | 270. KOHM .25W 5% CF25 T/R | P 2 |
| R200 | A10265-10021 | 10. KOHM .25W 1 MF T/R | G 3 |
| R201 | A10265-10021 | 10. KOHM .25W 1 MF T/R | G 3 |
| R202 | A10265-10021 | 10. KOHM .25W 1 MF T/R | G 3 |
| R203 | C 9079-2 | 200.OHM TOP ADJ CERMET TRIMMER | H 1 |
| R204 | A10265-10021 | 10. KOHM .25W 1 MF T/R | G 2 |
| R205 | A10265-49911 | 4.99KOHM .25W 1 MF T/R | H 3 |
| R206 | A10265-49911 | 4.99KOHM .25W 1 MF T/R | H 3 |
| R207 | 125263-1 | 5K. , 10%, LINEAR W/21 DETENT | F 2 |
| R208 | A10265-11821 | 11.8 KOHM .25W 1% MF T/R | H 1 |
| R209 | A10265-24921 | 24.9 KOHM .25W 1% MF T/R | H 1 |
| R210 | A10265-69811 | 6.98 KOHM .25W 1% MF T/R | H 1 |
| R211 | A10265-24921 | 24.9 KOHM .25W 1% MF T/R | F 2 |
| R212 | A10266-2201 | 22.0 OHM .25W 5 CF T/R | G 2 |
| R213 | A10265-49911 | 4.99KOHM .25W 1 MF T/R | F 2 |
| R214 | A10265-10031 | 100. KOHM .25W 1 MF T/R | F 2 |
| R215 | A10265-15031 | 150 KOHM .25 1% MF T/R | G 4 |
| R216 | A10265-10721 | 10.7KOHM .25W 1% MF T/R | H 4 |
| R217 | A10265-20031 | 200.KOHM .25W 1 MF T/R | H 3 |
| R218 | A10265-10521 | 10.5KOHM .25W 1% MF T/R | H 3 |
| R219 | A10265-10031 | 100. KOHM .25W 1 MF T/R | F 2 |
| R220 | A10266-5111 | 510. OHM .25W 5 CF T/R | F 2 |
| R221 | C 5215-6 | 22. MOHM .25W 5 THICK FILM T/R | F 2 |
| R222 | A10266-1321 | 1.3 KOHM .25W 5 CF T/R | F 2 |
| R223 | A10265-49911 | 4.99KOHM .25W 1 MF T/R | F 2 |
| R224 | A10266-1231 | 12.KOHM .25W 5% CF T/R | E 3 |
| R225 | A10266-1231 | 12.KOHM .25W 5% CF T/R | E 2 |
| R226 | A10266-2721 | 2.7 KOHM .25W 5 CF T/R | E 3 |
| R227 | A10266-2721 | 2.7 KOHM .25W 5 CF T/R | E 2 |
| R228 | A10266-6831 | 68. KOHM .25W 5% CF T/R | E 3 |
| R229 | A10266-6831 | 68. KOHM .25W 5% CF T/R | E 3 |
| R230 | A10265-10031 | 100. KOHM .25W 1 MF T/R | E 3 |
| R231 | A10265-10031 | 100. KOHM .25W 1 MF T/R | E 2 |
| R232 | A10266-4701 | 47.0 OHM .25W 5 CF T/R | E 4 |
| R233 | A10266-4701 | 47.0 OHM .25W 5 CF T/R | E 2 |
| R234 | A10266-4711 | 470. OHM .25W 5% CF T/R | D 3 |
| R235 | A10266-2201 | 22.0 OHM .25W 5 CF T/R | D 3 |
| R236 | A10266-8211 | 820. OHM .25W 5% CF T/R | D 3 |
| R237 | A10266-8211 | 820. OHM .25W 5% CF T/R | D 2 |
| R238 | A10266-2201 | 22.0 OHM .25W 5 CF T/R | D 2 |
| R239 | A10266-5601 | 56.0 OHM .25W 5% CF T/R | D 2 |
| R240 | A10266-4721 | 4.7 KOHM .25W 5% CF T/R | A 5 |
| R241 | A10266-5601 | 56.0 OHM .25W 5% CF T/R | D 4 |
| | | | |
| | | | |
| | | | |

INACTIVE

For Reference Use Only

CROWN INTERNATIONAL INC.

1718 WEST MISHAWAKA ROAD ELKHART, INDIANA 46517 PHONE (219) 294-8000

THESE DRAWINGS AND SPECIFICATIONS ARE THE PROPERTY OF CROWN INTERNATIONAL, INC. AND SHALL NOT BE REPRODUCED, COPIED, OR USED AS THE BASIS FOR THE MANUFACTURE OR SALE OF APPARATUS OR DEVICES WITHOUT PERMISSION.

DRAWN DWV 09/25/97
 PROJ. MD360D0

DWG. NO. 125274

SHEET 16
 CONT. ON SHEET 17

REV (A)

PARTS LIST

| REF DES | C.P.N. | DESCRIPTION | MAP LOC. |
|---------|--------------|--------------------------------|----------|
| R242 | A10265-66501 | 665. OHM .25W 1 MF T/R | B 5 |
| R243 | A10265-27401 | 274. OHM .25W 1% MF T/R | A 5 |
| R244 | A10265-27401 | 274. OHM .25W 1% MF T/R | B 5 |
| R245 | A10265-66501 | 665. OHM .25W 1 MF T/R | B 5 |
| R246 | A10265-66501 | 665. OHM .25W 1 MF T/R | B 5 |
| R247 | A10265-66501 | 665. OHM .25W 1 MF T/R | B 5 |
| R248 | A10266-1041 | 100. KOHM .25W 5% CF25 T/R | A 5 |
| R249 | A10265-35711 | 3.57KOHM .25W 1 MF T/R | A 5 |
| R250 | A10265-35711 | 3.57KOHM .25W 1 MF T/R | B 5 |
| R251 | A10266-1041 | 100. KOHM .25W 5% CF25 T/R | B 5 |
| R252 | C 8836-6 | 100 OHM .5W 5% FU/FP T/R | F 4 |
| R253 | A10266-1031 | 10. KOHM .25W 5% CF T/R | E 4 |
| R254 | A10266-2721 | 2.7 KOHM .25W 5 CF T/R | E 3 |
| R255 | C 8836-6 | 100 OHM .5W 5% FU/FP T/R | F 3 |
| R256 | A10266-1031 | 10. KOHM .25W 5% CF T/R | E 3 |
| R257 | A10266-2721 | 2.7 KOHM .25W 5 CF T/R | E 3 |
| R258 | A10266-3021 | 3.0 KOHM .25W 5 CF T/R | G 4 |
| R259 | A10265-10011 | 1.0 KOHM .25W 1 MF T/R | F 3 |
| R260 | A10265-10021 | 10. KOHM .25W 1 MF T/R | G 3 |
| R261 | A10266-4721 | 4.7 KOHM .25W 5% CF T/R | G 3 |
| R262 | A10266-4721 | 4.7 KOHM .25W 5% CF T/R | G 3 |
| R263 | A10265-10021 | 10. KOHM .25W 1 MF T/R | G 3 |
| R264 | C 5215-6 | 22. MOHM .25W 5 THICK FILM T/R | F 3 |
| R265 | A10265-27431 | 274. KOHM .25W 1% MF T/R | G 4 |
| R266 | A10265-95311 | 9.53KOHM .25W 1% MF T/R | H 4 |
| R267 | A10266-1321 | 1.3 KOHM .25W 5 CF T/R | F 3 |
| R268 | A10124-24 | WIRE, #24 SOLID BUS | F 3 |
| R269 | A10265-27431 | 274. KOHM .25W 1% MF T/R | G 2 |
| R270 | A10265-95311 | 9.53KOHM .25W 1% MF T/R | G 2 |
| R271 | A10266-5621 | 5.6 KOHM .25W 5% CF T/R | B 3 |
| R272 | A10266-1541 | 150. KOHM .25W 5% CF T/R | A 3 |
| R273 | A10265-17821 | 17.8KOHM .25W 1% MF T/R | A 3 |
| R274 | A10265-24921 | 24.9 KOHM .25W 1% MF T/R | A 3 |
| R275 | A10265-49911 | 4.99KOHM .25W 1 MF T/R | A 3 |
| R276 | A10265-68111 | 6.81KOHM .25W 1% MF T/R | A 3 |
| R277 | A10265-33221 | 33.2KOHM .25W 1% MF T/R | A 4 |
| R278 | A10265-10021 | 10. KOHM .25W 1 MF T/R | A 4 |
| R279 | A10265-20011 | 2.0 KOHM .25W 1% MF T/R | A 3 |
| R280 | A10265-20011 | 2.0 KOHM .25W 1% MF T/R | A 3 |
| R281 | A10265-10001 | 100. OHM .25W 1 MF T/R | A 2 |
| R282 | A10265-51121 | 51.1 KOHM .25W 1% MF T/R | A 2 |
| R283 | A10265-68111 | 6.81KOHM .25W 1% MF T/R | A 2 |
| R284 | A10265-10001 | 100. OHM .25W 1 MF T/R | A 2 |
| R285 | A10266-2741 | 270. KOHM .25W 5% CF25 T/R | A 2 |
| R286 | C 5062-2 | 100KOHM LINEAR TRIMPOT | A 2 |
| R287 | A10265-14321 | 14.3 KOHM .25W 1% MF T/R | A 4 |
| R288 | A10265-32421 | 32.4KOHM .25 1% MF T/R | A 4 |
| | | | |
| | | | |
| | | | |

INACTIVE

For Reference Use Only

CROWN INTERNATIONAL INC.

1718 WEST MISHAWAKA ROAD ELKHART, INDIANA 46517 PHONE (219) 294-8000

THESE DRAWINGS AND SPECIFICATIONS ARE THE PROPERTY OF CROWN INTERNATIONAL, INC. AND SHALL NOT BE REPRODUCED, COPIED, OR USED AS THE BASIS FOR THE MANUFACTURE OR SALE OF APPARATUS OR DEVICES WITHOUT PERMISSION.

| | | | |
|-------|---------|----------|----------|
| DRAWN | DWW | 09/25/97 | DWG. NO. |
| PROJ. | MD360DB | | 125274 |

| | |
|----------|-----|
| SHEET 17 | REV |
| CONT. ON | (A) |
| SHEET 18 | |

PARTS LIST

| REF DES | C.P.N. | DESCRIPTION | MAP LOC. |
|---------|--------------|----------------------------|----------|
| R289 | A10265-19121 | 19.1KOHM .25W 1% MF T/R | A 4 |
| R290 | A10265-33221 | 33.2KOHM .25W 1% MF T/R | B 3 |
| R291 | A10265-10021 | 10. KOHM .25W 1 MF T/R | B 3 |
| R292 | A10265-20011 | 2.0 KOHM .25W 1% MF T/R | B 4 |
| R293 | A10265-20011 | 2.0 KOHM .25W 1% MF T/R | B 4 |
| R294 | A10265-68111 | 6.81KOHM .25W 1% MF T/R | B 3 |
| R295 | A10265-10001 | 100. OHM .25W 1 MF T/R | B 2 |
| R296 | A10265-51121 | 51.1 KOHM .25W 1% MF T/R | B 2 |
| R297 | A10265-68111 | 6.81KOHM .25W 1% MF T/R | B 2 |
| R298 | A10265-10001 | 100. OHM .25W 1 MF T/R | B 2 |
| R299 | A10266-2741 | 270. KOHM .25W 5% CF25 T/R | B 2 |
| R300 | C 5062-2 | 100KOHM LINEAR TRIMPOT | P 2 |
| R301 | A10265-14321 | 14.3 KOHM .25W 1% MF T/R | P 4 |
| R302 | A10265-32421 | 32.4KOHM .25 1% MF T/R | P 4 |
| R303 | A10265-19121 | 19.1KOHM .25W 1% MF T/R | P 4 |
| R304 | A10265-39221 | 39.2KOHM .25W 1% MF T/R | P 4 |
| R305 | A10265-35731 | 357. KOHM .25W 1 MF T/R | P 4 |
| R306 | A10266-3021 | 3.0 KOHM .25W 5 CF T/R | O 1 |
| R307 | A10266-1521 | 1.5 KOHM .25W 5% CF T/R | O 1 |
| R308 | A10266-1041 | 100. KOHM .25W 5% CF25 T/R | O 1 |
| R309 | C 7779-9 | 22. OHM .25W 5% FU/FP T/R | N 5 |
| R310 | A10266-4711 | 470. OHM .25W 5% CF T/R | N 5 |
| R311 | A10266-4711 | 470. OHM .25W 5% CF T/R | N 5 |
| R312 | C 7779-9 | 22. OHM .25W 5% FU/FP T/R | N 5 |
| R313 | A10266-4711 | 470. OHM .25W 5% CF T/R | N 5 |
| R314 | C 7779-9 | 22. OHM .25W 5% FU/FP T/R | N 4 |
| R315 | A10266-4711 | 470. OHM .25W 5% CF T/R | N 4 |
| R316 | A10266-4711 | 470. OHM .25W 5% CF T/R | N 4 |
| R317 | A10266-4711 | 470. OHM .25W 5% CF T/R | N 4 |
| R318 | C 7779-9 | 22. OHM .25W 5% FU/FP T/R | N 4 |
| R319 | A10266-2731 | 27. KOHM .25W 5 CF T/R | N 5 |
| R320 | A10266-3321 | 3.3 KOHM .25W 5% CF T/R | L 5 |
| R321 | A10266-3321 | 3.3 KOHM .25W 5% CF T/R | L 5 |
| R322 | A10266-2051 | 2.0 MOHM .25W 5 CF T/R | K 5 |
| R323 | A10266-1521 | 1.5 KOHM .25W 5% CF T/R | L 5 |
| R324 | A10266-4711 | 470. OHM .25W 5% CF T/R | K 5 |
| R325 | A10266-1041 | 100. KOHM .25W 5% CF25 T/R | K 5 |
| R326 | A10266-5121 | 5.1 KOHM .25W 5 CF T/R | K 5 |
| R327 | A10266-7521 | 7.5 KOHM .25W 5% CF T/R | K 5 |
| R328 | A10266-8231 | 82. KOHM .25W 5% CF T/R | L 5 |
| R329 | A10265-51121 | 51.1 KOHM .25W 1% MF T/R | L 6 |
| R330 | A10266-4741 | 470. KOHM .25W 5% CF T/R | L 5 |
| R331 | A10266-2751 | 2.7 MOHM .25W 5% CF T/R | L 5 |
| R338 | A10266-1041 | 100. KOHM .25W 5% CF25 T/R | J 6 |
| R339 | A10266-4731 | 47. KOHM .25W 5% CF25 T/R | J 6 |
| R340 | A10266-5121 | 5.1 KOHM .25W 5 CF T/R | L 6 |
| R341 | A10266-2031 | 20. KOHM .25W 5 CF T/R | L 6 |
| | | | |
| | | | |
| | | | |

INACTIVE

For Reference Use Only

CROWN INTERNATIONAL INC.

1718 WEST MISHAWAKA ROAD ELKHART, INDIANA 46517 PHONE (219) 294-9000

THESE DRAWINGS AND SPECIFICATIONS ARE THE PROPERTY OF CROWN INTERNATIONAL, INC. AND SHALL NOT BE REPRODUCED, COPIED, OR USED AS THE BASIS FOR THE MANUFACTURE OR SALE OF APPARATUS OR DEVICES WITHOUT PERMISSION.

DRAWN DWW 09/25/97
 PROJ. MD360D0

DWG. NO. 125274

SHEET 18
 CONT. ON SHEET 19

REV (A)

PARTS LIST

| REF DES | C.P.N. | DESCRIPTION | MAP LOC. |
|---------|--------------|----------------------------|----------|
| R342 | A10266-3921 | 3.9 KOHM .25W 5% CF T/R | L 5 |
| R343 | A10266-1031 | 10. KOHM .25W 5% CF T/R | L 5 |
| R344 | A10266-4731 | 47. KOHM .25W 5% CF25 T/R | L 4 |
| R345 | A10266-1031 | 10. KOHM .25W 5% CF T/R | L 5 |
| R346 | A10266-4731 | 47. KOHM .25W 5% CF25 T/R | L 4 |
| R347 | A10266-1031 | 10. KOHM .25W 5% CF T/R | L 4 |
| R348 | A10266-1031 | 10. KOHM .25W 5% CF T/R | L 4 |
| R349 | A10266-1031 | 10. KOHM .25W 5% CF T/R | L 4 |
| R350 | A10266-4701 | 47.0 OHM .25W 5 CF T/R | L 5 |
| R351 | A10266-2031 | 20. KOHM .25W 5 CF T/R | K 4 |
| R352 | A10266-1031 | 10. KOHM .25W 5% CF T/R | L 4 |
| R353 | A10266-4731 | 47. KOHM .25W 5% CF25 T/R | L 4 |
| R354 | A10266-4731 | 47. KOHM .25W 5% CF25 T/R | L 4 |
| R355 | A10266-4731 | 47. KOHM .25W 5% CF25 T/R | L 4 |
| R356 | A10266-4731 | 47. KOHM .25W 5% CF25 T/R | L 4 |
| R357 | A10266-1031 | 10. KOHM .25W 5% CF T/R | L 5 |
| R358 | A10266-2031 | 20. KOHM .25W 5 CF T/R | L 4 |
| R359 | A10265-10R01 | 10.0 OHM .25W 1 MF T/R | N 4 |
| R360 | A10266-1211 | 120. OHM .25W 5 CF T/R | N 4 |
| R361 | C 6048-0 | 500 OHM PIHER TRIM | N 4 |
| R362 | A10265-10R01 | 10.0 OHM .25W 1 MF T/R | N 4 |
| R363 | A10265-30111 | 3.01KOHM .25W 1 MF T/R | N 3 |
| R364 | A10265-18221 | 18.2KOHM .25W 1% MF T/R | N 3 |
| R365 | A10265-30111 | 3.01KOHM .25W 1 MF T/R | N 3 |
| R366 | A10265-18221 | 18.2KOHM .25W 1% MF T/R | N 3 |
| R367 | A10265-10011 | 1.0 KOHM .25W 1 MF T/R | N 3 |
| R368 | A10266-4711 | 470. OHM .25W 5% CF T/R | J 4 |
| R369 | A10266-4711 | 470. OHM .25W 5% CF T/R | J 4 |
| R400 | C 5062-2 | 100KOHM LINEAR TRIMPOT | B 2 |
| R401 | A10265-14321 | 14.3 KOHM .25W 1% MF T/R | B 4 |
| R402 | A10265-32421 | 32.4KOHM .25 1% MF T/R | B 4 |
| R403 | A10265-19121 | 19.1KOHM .25W 1% MF T/R | B 4 |
| R404 | A10265-39221 | 39.2KOHM .25W 1% MF T/R | B 4 |
| R405 | A10265-35731 | 357. KOHM .25W 1 MF T/R | B 5 |
| R406 | A10266-3021 | 3.0 KOHM .25W 5 CF T/R | B 1 |
| R407 | A10266-1521 | 1.5 KOHM .25W 5% CF T/R | B 1 |
| R408 | A10266-1041 | 100. KOHM .25W 5% CF25 T/R | B 1 |
| R409 | C 7779-9 | 22. OHM .25W 5% FU/FP T/R | C 5 |
| R410 | A10266-4711 | 470. OHM .25W 5% CF T/R | C 5 |
| R411 | A10266-4711 | 470. OHM .25W 5% CF T/R | C 5 |
| R412 | C 7779-9 | 22. OHM .25W 5% FU/FP T/R | C 5 |
| R413 | A10266-4711 | 470. OHM .25W 5% CF T/R | C 5 |
| R414 | C 7779-9 | 22. OHM .25W 5% FU/FP T/R | C 4 |
| R415 | A10266-4711 | 470. OHM .25W 5% CF T/R | C 4 |
| R416 | A10266-4711 | 470. OHM .25W 5% CF T/R | C 4 |
| R417 | A10266-4711 | 470. OHM .25W 5% CF T/R | C 4 |
| R418 | C 7779-9 | 22. OHM .25W 5% FU/FP T/R | C 4 |
| | | | |
| | | | |
| | | | |

INACTIVE

For Reference Use Only

CROWN INTERNATIONAL INC.

1718 WEST MISHAWAKA ROAD ELKHART, INDIANA 46517 PHONE (219) 294-8000

THESE DRAWINGS AND SPECIFICATIONS ARE THE PROPERTY OF CROWN INTERNATIONAL, INC. AND SHALL NOT BE REPRODUCED, COPIED, OR USED AS THE BASIS FOR THE MANUFACTURE OR SALE OF APPARATUS OR DEVICES WITHOUT PERMISSION.

| | | | |
|-------|---------|----------|----------|
| DRAWN | DWW | 09/25/97 | DWG. NO. |
| PROJ. | MD360D0 | | 125274 |

| | |
|----------|-----|
| SHEET 19 | REV |
| CONT. ON | (A) |
| SHEET 20 | |

PARTS LIST

| REF DES | C.P.N. | DESCRIPTION | MAP LOC. |
|---------|--------------|----------------------------|----------|
| R419 | A10266-2731 | 27. KOHM .25W 5 CF T/R | C 5 |
| R420 | A10266-3321 | 3.3 KOHM .25W 5% CF T/R | E 5 |
| R421 | A10266-3321 | 3.3 KOHM .25W 5% CF T/R | E 5 |
| R422 | A10266-2051 | 2.0 MOHM .25W 5 CF T/R | F 5 |
| R423 | A10266-1521 | 1.5 KOHM .25W 5% CF T/R | E 5 |
| R424 | A10266-4711 | 470. OHM .25W 5% CF T/R | F 5 |
| R425 | A10266-1041 | 100. KOHM .25W 5% CF25 T/R | F 5 |
| R426 | A10266-5121 | 5.1 KOHM .25W 5 CF T/R | F 5 |
| R427 | A10266-7521 | 7.5 KOHM .25W 5% CF T/R | F 5 |
| R428 | A10266-8231 | 82. KOHM .25W 5% CF T/R | E 5 |
| R429 | A10265-51121 | 51.1 KOHM .25W 1% MF T/R | E 6 |
| R430 | A10266-4741 | 470. KOHM .25W 5% CF T/R | E 5 |
| R431 | A10266-2751 | 2.7 MOHM .25W 5% CF T/R | E 5 |
| R438 | A10266-1041 | 100. KOHM .25W 5% CF25 T/R | G 6 |
| R439 | A10266-4731 | 47. KOHM .25W 5% CF25 T/R | G 6 |
| R440 | A10266-5121 | 5.1 KOHM .25W 5 CF T/R | E 6 |
| R441 | A10266-2031 | 20. KOHM .25W 5 CF T/R | E 6 |
| R442 | A10266-3921 | 3.9 KOHM .25W 5% CF T/R | E 5 |
| R443 | A10266-1031 | 10. KOHM .25W 5% CF T/R | E 5 |
| R444 | A10266-4731 | 47. KOHM .25W 5% CF25 T/R | E 4 |
| R445 | A10266-1031 | 10. KOHM .25W 5% CF T/R | E 5 |
| R446 | A10266-4731 | 47. KOHM .25W 5% CF25 T/R | E 4 |
| R447 | A10266-1031 | 10. KOHM .25W 5% CF T/R | E 4 |
| R448 | A10266-1031 | 10. KOHM .25W 5% CF T/R | E 4 |
| R449 | A10266-1031 | 10. KOHM .25W 5% CF T/R | E 4 |
| R450 | A10266-4701 | 47.0 OHM .25W 5 CF T/R | E 5 |
| R451 | A10266-2031 | 20. KOHM .25W 5 CF T/R | F 4 |
| R452 | A10266-1031 | 10. KOHM .25W 5% CF T/R | E 4 |
| R453 | A10266-4731 | 47. KOHM .25W 5% CF25 T/R | E 4 |
| R454 | A10266-4731 | 47. KOHM .25W 5% CF25 T/R | E 4 |
| R455 | A10266-4731 | 47. KOHM .25W 5% CF25 T/R | E 4 |
| R456 | A10266-4731 | 47. KOHM .25W 5% CF25 T/R | E 4 |
| R457 | A10266-1031 | 10. KOHM .25W 5% CF T/R | E 5 |
| R458 | A10266-2031 | 20. KOHM .25W 5 CF T/R | E 4 |
| R459 | A10265-10R01 | 10.0 OHM .25W 1 MF T/R | C 3 |
| R460 | A10266-1211 | 120. OHM .25W 5 CF T/R | C 3 |
| R461 | C 6048-0 | 500 OHM PIHER TRIM | C 4 |
| R462 | A10265-10R01 | 10.0 OHM .25W 1 MF T/R | C 4 |
| R463 | A10265-30111 | 3.01KOHM .25W 1 MF T/R | C 3 |
| R464 | A10265-18221 | 18.2KOHM .25W 1% MF T/R | C 3 |
| R465 | A10265-30111 | 3.01KOHM .25W 1 MF T/R | C 3 |
| R466 | A10265-18221 | 18.2KOHM .25W 1% MF T/R | C 3 |
| R467 | A10265-10011 | 1.0 KOHM .25W 1 MF T/R | C 3 |
| R468 | A10266-4711 | 470. OHM .25W 5% CF T/R | G 4 |
| R469 | A10266-4711 | 470. OHM .25W 5% CF T/R | G 4 |
| S1 | C 7960-5 | DPDT 3POS PC SLIDE SWITCH | I 1 |
| S2 | C 6781-6 | 6P3T MONO/STEREO SWITCH | C 1 |
| | | | |
| | | | |
| | | | |

INACTIVE

For Reference Use Only

CROWN INTERNATIONAL INC.

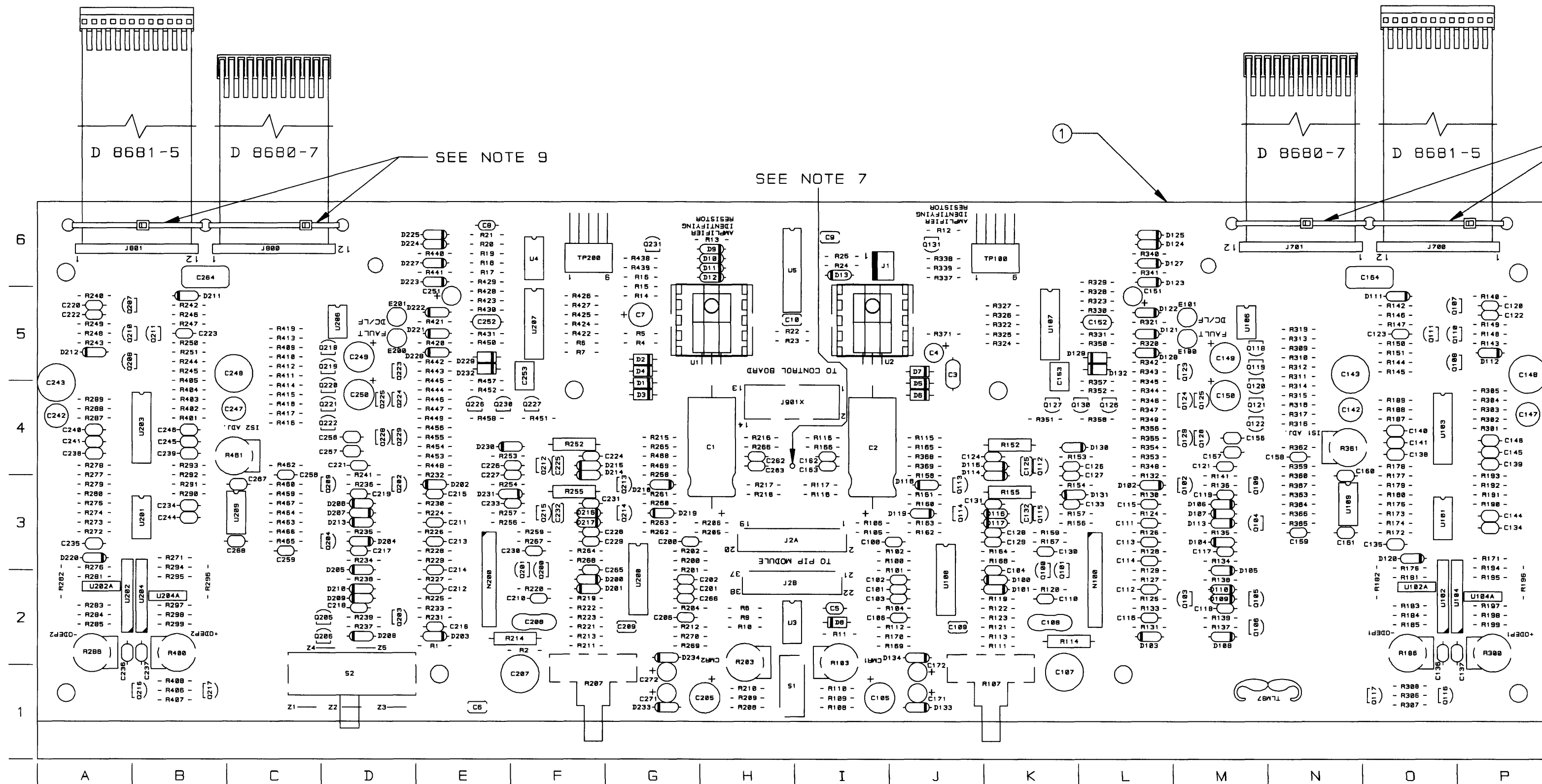
1718 WEST MISHAWAKA ROAD ELKHART, INDIANA 46517 PHONE (219) 294-8000

THESE DRAWINGS AND SPECIFICATIONS ARE THE PROPERTY OF CROWN INTERNATIONAL, INC. AND SHALL NOT BE REPRODUCED, COPIED, OR USED AS THE BASIS FOR THE MANUFACTURE OR SALE OF APPARATUS OR DEVICES WITHOUT PERMISSION.

| | | | | | |
|-------|---------|----------|----------|-------------------|-----|
| DRAWN | DWW | 09/25/97 | DWG. NO. | SHEET 20 | REV |
| PROJ. | MD360D0 | | 125274 | CONT. ON SHEET 21 | (A) |

COMPONENT MAP

(COMPONENT SIDE VIEW)



INACTIVE
For Reference Use Only

| | | | |
|---------------------------------|---------|------------------------|---------------------------------|
| CROWN INTERNATIONAL INC. | | | |
| 1718 WEST MISHAWAKA ROAD | | ELKHART, INDIANA 46517 | |
| PHONE (219) 294-8000 | | | |
| DRAWN | DWV | 09/25/97 | DWG. NO. 125274 |
| PROJ. | MD360D0 | | |
| | | | SHEET 22 CONT. ON SHEET - |
| | | | REV (A) |

THESE DRAWINGS AND SPECIFICATIONS ARE THE PROPERTY OF CROWN INTERNATIONAL, INC. AND SHALL NOT BE REPRODUCED, COPIED, OR USED AS THE BASIS FOR THE MANUFACTURE OR SALE OF APPARATUS OR DEVICES WITHOUT PERMISSION.

**CT1610 Main Module Information On Following Pages
Documentation, Component Map, Schematic**

CROWN INTERNATIONAL **INACTIVE**

For Reference Use Only

100298

| | | | | |
|----------|---------------|-------------------------|-----------------------------|-------|
| REVISION | C | TITLE: PWA; CT1610 MAIN | PRINTS | K |
| MADE BY | TOM SZERENCSE | | SHEET NO. | 1 |
| DATE | 02-24-97 | | CONT. ON SH | 2 |
| PROJ. | D360 | | FIRST MADE FOR: CT10 SERIES | DRAWN |

REVISION CONTROL SHEET FOR MULTI-SHEET DOCUMENTS

REVISION IN THE UPPER LEFT CORNER OF THIS SHEET IS THE REVISION FOR THE ENTIRE DOCUMENT

| REFERENCE → | | | EAT# 95-272 | | | | | | | | |
|-------------|----------|----------|----------------|--|--|--|--|--|--|--|--|
| DATE → | 08-09-96 | 11-11-96 | 02-24-97 | | | | | | | | |
| SHEET NO. ↓ | | | | | | | | | | | |
| 3 | A | B | C | | | | | | | | |
| 4 | A | B | C | | | | | | | | |
| 5 | A | A | B | | | | | | | | |
| 6 | A | A | B | | | | | | | | |
| 7 | A | A | B | | | | | | | | |
| 8 | A | B | C | | | | | | | | |
| 9 | A | A | B | | | | | | | | |
| 10 | A | A | B | | | | | | | | |
| 11 | A | A | B | | | | | | | | |
| 12 | A | A | B | | | | | | | | |
| 13 | A | A | B | | | | | | | | |
| 14 | A | A | B | | | | | | | | |
| 15 | A | B | C | | | | | | | | |
| 16 | A | A | B | | | | | | | | |
| 17 | A | B | C | | | | | | | | |
| 18 | A | A | B | | | | | | | | |
| 19 | A | A | B | | | | | | | | |
| 20 | A | A | B | | | | | | | | |
| 21 | A | A | B | | | | | | | | |
| 22 | A | A | B | | | | | | | | |
| 23 | A | A | B | | | | | | | | |
| 24 | A | A | B | | | | | | | | |

THESE DRAWINGS AND SPECIFICATIONS ARE THE PROPERTY OF CROWN INTERNATIONAL, INC. AND SHALL NOT BE REPRODUCED, COPIED, OR USED AS THE BASIS FOR THE MANUFACTURE OR SALE OF APPARATUS OR DEVICES WITHOUT PERMISSION.

| APPROVALS | NAME | DATE |
|-----------|------|---------|
| EE | | |
| PE | | |
| MFG | | 2-24-97 |

CROWN INTERNATIONAL

INACTIVE
For Reference Use Only

100298

| | | | | |
|----------|---------------|--|-------------|-----|
| REVISION | C | TITLE: PWA; CT1610 MAIN FIRST MADE FOR: CT10 SERIES | PRINTS | K |
| MADE BY | TOM SZERENCSE | | SHEET NO. | 2 |
| DATE | 02-24-97 | | CONT. ON SH | 3 |
| PROJ. | D360 | | DRAWN | TLM |

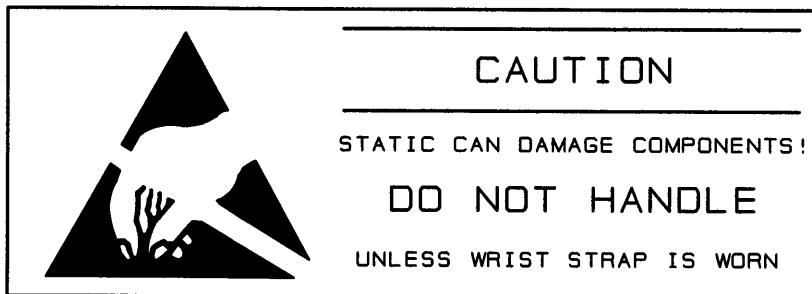
REVISION CONTROL INFORMATION

| NAME | SHEET NO. | SHEET REV. | ACTION |
|---------------|-------------------|------------|--|
| PAT WIERS | 1-24 | A | INITIAL RELEASE |
| TOM SZERENCSE | 1-4, 8, 15, 17 | B | INITIAL RELEASE OF 100298-2. RESORTED PART NUMBERS TO MATCH AS400 BILL. R107 AND R207 WERE C 9785-4. |
| TOM SZERENCSE | 1-24 | C | INITIAL RELEASE OF 100298-3. C155 & C255 WERE 22MF 50V. R115 & R215 WERE 274K, R116 & R216 WERE 9.53K, R333 & R433 WERE 665, R335 & R435 WERE 1MOHM, C1 WAS C 3913-8, R336 & R436 WERE 220, J800 WAS D 8681-5, J801 WAS D8680-7, C170 & C270 WERE 0.0047, C155 & C255 WERE 4.7 63V LYTIC, U100 & U200 WERE C 7558-7. ADDED C171, C172, C271, C272 100MFD 25V ELECTROLYTICS. ADDED C173 AND C273 10MFD 16V ELECTROLYTICS. ADDED R371 & R471 10KOHM 1/4W. ADDED D135 & D235 1N9618. ADDED D133, D134, D233 AND D234 1N4148. |

UNLESS OTHERWISE SPECIFIED, THE FINISHED PWA SHALL MEET:
IPC-A-610_ CLASS 2

NOTES:

1. SCHEMATIC DRAWING NUMBER 100299.
2. PWB PART NUMBER 100291-2.
3. PWA PART NUMBER 100298-3.
4. ALL LEADS SHALL BE TRIMMED TO 0.093" OR LESS.
5. POSITION COMPONENTS AS SHOWN ON COMPONENT MAP.
6. INSERT 8 PIN IC SOCKET (C 3451-9) AT REFERENCE DESIGNATION LOCATION U3. IC IS INSTALLED ON A LATER ASSEMBLY.
7. REMOVE SOLDER OR PREVENT SOLDER FROM ACCUMULATING IN HOLES INDICATED ON THE COMPONENT MAP.
8. INSTALL HEATSINK (C 9494-3) AT REFERENCE DESIGNATION LOCATIONS U1 AND U2.
9. INSTALL CABLE TIE (C 8812-7) AT REFERENCE DESIGNATION LOCATIONS J700, J701, J800 AND J801.
 - 9A. USE A 0.25" DIAMETER ROD AS A GAUGE TO CHECK THE TIGHTNESS OF THE CABLES.
ON THE COMPONENT SIDE PRESS THE CABLE AGAINST THE BOARD. THE GAUGE SHOULD NOT FIT UNDER THE CABLE TIE.
10. U102A, U104A, U202A AND U204A ARE ALTERNATE COMPONENT PARTS.
11. THE CROWN PART NUMBER FOR THIS MODULE SHALL BE MARKED ON THE P.C. BOARD AND SHALL BE PERMANENT.



INACTIVE

For Reference Use Only

THESE DRAWINGS AND SPECIFICATIONS ARE THE PROPERTY OF CROWN INTERNATIONAL, INC. AND SHALL NOT BE REPRODUCED, COPIED, OR USED AS THE BASIS FOR THE MANUFACTURE OR SALE OF APPARATUS OR DEVICES WITHOUT PERMISSION.

| | | | | |
|---------------------------------|------|------------------------|----------|----------------------|
| CROWN INTERNATIONAL INC. | | | | |
| 1718 WEST MISHAWAKA ROAD | | ELKHART, INDIANA 46517 | | PHONE (219) 294-8000 |
| DRAWN | TLM | 02-24-97 | DWG. NO. | SHEET 3 |
| PROJ. | D360 | | 100298 | CONT. ON SHEET 4 |
| | | | | REV C |

PARTS LIST

| C. P. N. | DESCRIPTION | QTY | REFERENCE DESIGNATION |
|--------------|--------------------------|-----|---|
| A10124-24 | WIRE, #24 SOLID BUS | 8" | R12, R13, R168, R268 |
| A10265-10R01 | 10.0 OHM .25W 1 MF T/R | 4 | R359, R362, R459, R462 |
| A10265-10001 | 100. OHM .25W 1 MF T/R | 8 | R181, R184, R195, R198, R281, R284, R295, R298 |
| A10265-10011 | 1.0 KOHM .25W 1 MF T/R | 6 | R159, R259, R336, R367, R436, R467 |
| A10265-10021 | 10. KOHM .25W 1 MF T/R | 20 | R100, R101, R102, R104, R160, R163, R178, R191, R200, R201, R202, R204, R260, R263, R278, R291, R337, R371, R437, R471, |
| A10265-10031 | 100. KOHM .25W 1 MF T/R | 10 | R114, R119, R130, R131, R214, R219, R230, R231, R4, R7 |
| A10265-10521 | 10.5KOHM .25W 1% MF T/R | 2 | R118, R218 |
| A10265-10721 | 10.7KOHM .25W 1% MF T/R | 2 | R116, R216 |
| A10265-14721 | 14.7 KOHM .25W 1% MF T/R | 4 | R187, R287, R301, R401 |
| A10265-15031 | 150 KOHM .25 1% MF T/R | 2 | R115, R215 |
| A10265-17821 | 17.8KOHM .25W 1% MF T/R | 2 | R173, R273 |
| A10265-18221 | 18.2KOHM .25W 1% MF T/R | 4 | R364, R366, R464, R466 |
| A10265-19121 | 19.1KOHM .25W 1% MF T/R | 4 | R189, R289, R303, R403 |
| A10265-20011 | 2.0 KOHM .25W 1% MF T/R | 8 | R179, R180, R192, R193, R279, R280, R292, R293 |
| A10265-20031 | 200. KOHM .25W 1 MF T/R | 2 | R117, R217 |
| A10265-24921 | 24.9 KOHM .25W 1% MF T/R | 8 | R109, R111, R174, R209, R211, R274, R5, R6 |
| A10265-27401 | 274. OHM .25W 1% MF T/R | 4 | R143, R144, R243, R244 |
| A10265-27431 | 274. KOHM .25W 1% MF T/R | 4 | R165, R169, R265, R269 |
| A10265-28701 | 287. OHM .25W 1% MF T/R | 2 | R333, R433 |
| A10265-30111 | 3.01KOHM .25W 1 MF T/R | 4 | R363, R365, R463, R465 |
| A10265-30921 | 30.9 KOHM .25W 1% MF T/R | 4 | R188, R288, R302, R402 |
| A10265-33221 | 33.2KOHM .25W 1% MF T/R | 4 | R177, R190, R277, R290 |
| A10265-35711 | 3.57KOHM .25W 1 MF T/R | 4 | R149, R150, R249, R250 |
| A10265-35731 | 357. KOHM .25W 1 MF T/R | 2 | R305, R405 |
| A10265-39221 | 39.2KOHM .25W 1% MF T/R | 2 | R304, R404 |
| A10265-46421 | 46.4 KOHM .25W 1% MF T/R | 1 | R1 |
| A10265-49911 | 4.99KOHM .25W 1 MF T/R | 10 | R105, R106, R113, R123, R175, R205, R206, R213, R223, R275, |
| A10265-49931 | 499KOHM .25W 1% MF T/R | 2 | R332, R432 |
| A10265-51121 | 51.1 KOHM .25W 1% MF T/R | 6 | R182, R196, R282, R296, R329, R429 |
| A10265-53621 | 53.6 KOHM .25W 1% MF T/R | 1 | R2 |
| A10265-66501 | 665. OHM .25W 1 MF T/R | 8 | R142, R145, R146, R147, R242, R245, R246, R247 |
| A10265-68111 | 6.81KOHM .25W 1% MF T/R | 8 | R176, R183, R194, R197, R276, R283, R294, R297 |
| A10265-69811 | 6.98 KOHM .25W 1% MF T/R | 2 | R110, R210 |
| A10265-76811 | 7.68 KOHM .25W 1% MF T/R | 2 | R108, R208 |
| A10265-95311 | 9.53KOHM .25W 1% MF T/R | 4 | R166, R170, R266, R270 |
| | | | |
| | | | |
| | | | |

INACTIVE

For Reference Use Only

THESE DRAWINGS AND SPECIFICATIONS ARE THE PROPERTY OF CROWN INTERNATIONAL, INC. AND SHALL NOT BE REPRODUCED, COPIED, OR USED AS THE BASIS FOR THE MANUFACTURE OR SALE OF APPARATUS OR DEVICES WITHOUT PERMISSION.

| | | | |
|---------------------------------|------|------------------------|----------|
| CROWN INTERNATIONAL INC. | | | |
| 1718 WEST MISHAWAKA ROAD | | ELKHART, INDIANA 46517 | |
| PHONE (219) 294-8000 | | | |
| DRAWN | TLM | 02-24-97 | DWG. NO. |
| PROJ. | D360 | 100298 | |
| | | SHEET 4 | |
| | | CONT. ON | |
| | | SHEET 5 | |
| | | REV | |
| | | © | |

PARTS LIST

| C.P.N. | DESCRIPTION | QTY | REFERENCE DESIGNATION |
|--------------|------------------------------|-----|--|
| A10434-104JD | .1UF 250V 5% MTL POLY FILM T | 2 | C164, C264 |
| C 2851-1 | RECTIFIER. 1N4004 SILICON T/ | 11 | D1, D129, D132, D2, D229, D232, D3, D4, D5, D6, D7 |
| C 3181-2 | DIODE. 1N4148 T/R | 52 | D100, D101, D102, D103, D104, D105, D106, D107, D108, D109, D111, D112, D115, D116, D118, D119, D121, D122, D123, D124, D125, D127, D130, D131, D133, D134, D200, D201, D202, D203, D204, D205, D206, D207, D208, D209, D211, D212, D215, D216, D218, D219, D221, D222, D223, D224, D225, D227, D230, D231, D233, D234 |
| C 3451-9 | IC SOCKET, 8PIN DIP 2-640463 | 1 | U3X |
| C 3533-4 | DIODE, 1N966B 16V ZENER T/R | 2 | D128, D228 |
| C 3549-0 | DIODE, 1N961B 10V ZENER T/R | 2 | D135, D235 |
| C 3578-9 | MPSA93 200V PNP T/R | 6 | Q104, Q106, Q130, Q204, Q206, Q230 |
| C 3625-8 | 2N4125 30V PNP T/R | 22 | Q100, Q101, Q114, Q116, Q118, Q120, Q122, Q123, Q124, Q125, Q129, Q200, Q201, Q214, Q216, Q218, Q220, Q222, Q223, Q224, Q225, Q229 |
| C 3786-8 | MPS4250A 40V PNP T/R | 8 | Q103, Q108, Q111, Q115, Q203, Q208, Q211, Q215 |
| C 3810-6 | MPSA42 300V NPN T/R | 6 | Q105, Q109, Q127, Q205, Q209, Q227 |
| C 4019-3 | 4.7UF 35V 10% TANT CAP | 2 | C155, C255 |
| C 4303-1 | 1000UF 35V AXIAL CAP | 2 | C1, C2 |
| C 4345-2 | LM339N VOLT COMPARATOR | 2 | U107, U207 |
| C 5061-4 | DIODE, 1N3070 10K/T&R | 8 | D110, D113, D114, D117, D210, D213, D214, D217 |
| C 5062-2 | 100KOHM LINEAR TRIMPOT | 4 | R186, R286, R300, R400 |
| C 5082-0 | DIODE, 1N4733A 5.1V ZENER T | 1 | D8 |
| C 5095-2 | MC7815CT +15V. REG | 1 | U1 |
| C 5096-0 | MC7915CT -15V. REG | 1 | U2 |
| C 5215-6 | 22. MOHM .25W 5 THICK FILM T | 4 | R121, R164, R221, R264 |
| C 5311-3 | 22UF 50V 20% NP VERT T/A | 2 | C107, C207 |
| C 5362-6 | 2.2UF 50V VERT ELECT T/A | 3 | C151, C251, C4 |
| C 5891-4 | MTS105 THERMAL SENSE T/R | 4 | Q107, Q110, Q207, Q210 |
| C 6048-0 | 500 OHM PIHER TRIM | 2 | R361, R461 |
| C 6411-0 | H11C2 OPTO SCR | 2 | U106, U206 |
| C 6564-6 | 10P DBLROW UNSHRD HDR 87230- | 2 | TP100, TP200 |
| C 6781-6 | 6P3T MONO/STEREO SWITCH | 1 | S2 |
| C 6802-0 | .47UF 50V AXIAL CER T/R 474 | 6 | C152, C154, C169, C252, C254, |
| | | | |
| | | | |
| | | | |
| | | | |

INACTIVE

For Reference Use Only

CROWN INTERNATIONAL INC.

1718 WEST MISHAWAKA ROAD ELKHART, INDIANA 46517 PHONE (219) 294-8000

THESE DRAWINGS AND SPECIFICATIONS ARE THE PROPERTY OF CROWN INTERNATIONAL, INC. AND SHALL NOT BE REPRODUCED, COPIED, OR USED AS THE BASIS FOR THE MANUFACTURE OR SALE OF APPARATUS OR DEVICES WITHOUT PERMISSION.

| | | | | | |
|-------|------|----------|----------|------------------|-----|
| DRAWN | TLM | 02-24-97 | DWG. NO. | SHEET 6 | REV |
| PROJ. | D360 | | 100298 | CONT. ON SHEET 7 | (B) |

PARTS LIST

| C. P. N. | DESCRIPTION | QTY | REFERENCE DESIGNATION |
|-------------|----------------------------|-----|---|
| A10266-1031 | 10. KOHM .25W 5% CF T/R | 18 | R153, R156, R253, R256, R343, R345, R347, R348, R349, R352, R357, R443, R445, R447, R448, R449, R452, R457 |
| A10266-1041 | 100. KOHM .25W 5% CF25 T/R | 10 | R148, R151, R248, R251, R308, R325, R338, R408, R425, R438, |
| A10266-1051 | 1.0 MOHM .25W 5 CF T/R | 3 | R10, R8, R9 |
| A10266-1211 | 120. OHM .25W 5 CF T/R | 2 | R360, R460 |
| A10266-1231 | 12. KOHM .25W 5% CF T/R | 4 | R124, R125, R224, R225 |
| A10266-1321 | 1.3 KOHM .25W 5 CF T/R | 4 | R122, R167, R222, R267 |
| A10266-1521 | 1.5 KOHM .25W 5% CF T/R | 4 | R307, R323, R407, R423 |
| A10266-1541 | 150. KOHM .25W 5% CF T/R | 2 | R172, R272 |
| A10266-1831 | 18. KOHM .25W 5% CF T/R | 4 | R334, R370, R434, R470 |
| A10266-2031 | 20. KOHM .25W 5 CF T/R | 6 | R341, R351, R358, R441, R451, R458 |
| A10266-2051 | 2.0 MOHM .25W 5 CF T/R | 4 | R322, R335, R422, R435 |
| A10266-2201 | 22.0 OHM .25W 5 CF T/R | 6 | R112, R135, R138, R212, R235, R238 |
| A10266-2721 | 2.7 KOHM .25W 5 CF T/R | 8 | R126, R127, R154, R157, R226, R227, R254, R257 |
| A10266-2731 | 27. KOHM .25W 5 CF T/R | 2 | R319, R419 |
| A10266-2741 | 270. KOHM .25W 5% CF25 T/R | 4 | R185, R199, R285, R299 |
| A10266-2751 | 2.7 MOHM .25W 5% CF T/R | 2 | R331, R431 |
| A10266-3021 | 3.0 KOHM .25W 5 CF T/R | 4 | R158, R258, R306, R406 |
| A10266-3321 | 3.3 KOHM .25W 5% CF T/R | 4 | R320, R321, R420, R421 |
| A10266-3921 | 3.9 KOHM .25W 5% CF T/R | 2 | R342, R442 |
| A10266-4701 | 47.0 OHM .25W 5 CF T/R | 6 | R132, R133, R232, R233, R350, R450 |
| A10266-4711 | 470. OHM .25W 5% CF T/R | 20 | R134, R234, R310, R311, R313, R315, R316, R317, R324, R368, R369, R410, R411, R413, R415, R416, R417, R424, R468, R469, |
| A10266-4721 | 4.7 KOHM .25W 5% CF T/R | 6 | R140, R161, R162, R240, R261, R262 |
| A10266-4731 | 47. KOHM .25W 5% CF25 T/R | 14 | R339, R344, R346, R353, R354, R355, R356, R439, R444, R446, R453, R454, R455, R456 |
| A10266-4741 | 470. KOHM .25W 5% CF T/R | 2 | R330, R430 |
| A10266-5111 | 510. OHM .25W 5 CF T/R | 2 | R120, R220 |
| A10266-5121 | 5.1 KOHM .25W 5 CF T/R | 4 | R326, R340, R426, R440 |
| A10266-5601 | 56.0 OHM .25W 5% CF T/R | 4 | R139, R141, R239, R241 |
| A10266-5621 | 5.6 KOHM .25W 5% CF T/R | 2 | R171, R271 |
| A10266-6831 | 68. KOHM .25W 5% CF T/R | 4 | R128, R129, R228, R229 |
| A10266-7521 | 7.5 KOHM .25W 5% CF T/R | 2 | R327, R427 |
| A10266-8211 | 820. OHM .25W 5% CF T/R | 4 | R136, R137, R236, R237 |
| A10266-8231 | 82. KOHM .25W 5% CF T/R | 2 | R328, R428 |
| A10266-9111 | 910. OHM .25W 5 CF T/R | 1 | R11 |

INACTIVE

For Reference Use Only

THESE DRAWINGS AND SPECIFICATIONS ARE THE PROPERTY OF CROWN INTERNATIONAL, INC. AND SHALL NOT BE REPRODUCED, COPIED, OR USED AS THE BASIS FOR THE MANUFACTURE OR SALE OF APPARATUS OR DEVICES WITHOUT PERMISSION.

CROWN INTERNATIONAL INC.

1718 WEST MISHAWAKA ROAD ELKHART, INDIANA 46517 PHONE (219) 294-8000

| | | | | |
|-------|------|----------|----------|--------------------------------|
| DRAWN | TLM | 02-24-97 | DWG. NO. | REV |
| PROJ. | D360 | | 100298 | SHEET 5 CONT. ON SHEET 6 |
| | | | | Ⓟ |

PARTS LIST

| C. P. N. | DESCRIPTION | QTY | REFERENCE DESIGNATION |
|----------|-------------------------------|-----|--|
| | | | C269 |
| C 6804-6 | .1UF 50V AXIAL CER T/R 104 | 24 | C134, C135, C136, C137, C138, C139, C141, C144, C145, C160, C161, C234, C235, C236, C237, C238, C239, C241, C244, C245, C267, C268, C3, C5 |
| C 6805-3 | .022UF 100V AXIAL CER T/R 223 | 8 | C103, C104, C115, C116, C215, C216, C265, C266 |
| C 6806-1 | .01UF 100V AXIAL CER T/R 103 | 6 | C117, C124, C131, C217, C224, C231 |
| C 6807-9 | .001UF 100V 10% AXL CER T/R | 4 | C122, C123, C222, C223 |
| C 6808-7 | 470.PF 100V 5% NPO AXL CER T | 2 | C120, C220 |
| C 6810-3 | 180PF 100V AXIAL CER T/R 181 | 2 | C121, C221 |
| C 6811-1 | 100PF 200V 10% NPO AXL CER T | 10 | C126, C158, C159, C162, C163, C226, C258, C259, C262, C263, |
| C 6812-9 | 47PF 200V 10% NPO AXL CER | 16 | C106, C110, C111, C112, C113, C114, C128, C133, C206, C210, C211, C212, C213, C214, C228, C233 |
| C 6813-7 | 27PF 200V 10% NPO AXIAL CER | 8 | C100, C101, C102, C130, C200, C201, C202, C230 |
| C 6814-5 | 12PF 200V AXIAL CER T/R 120 | 6 | C118, C119, C129, C218, C219, C229 |
| C 6910-1 | UPA74HA/UPA76HA NPN XSISTOR | 2 | U104, U204 |
| C 6911-9 | UPA75HA/UPA77HA DUAL XSISTOR | 2 | U102, U202 |
| C 6950-7 | 82PF 200V 5% NPO AXIAL CER T | 2 | C127, C227 |
| C 7444-0 | LM393 DUAL COMPARATOR | 4 | U101, U108, U201, U208 |
| C 7458-0 | 2N4123 30V NPN T/R | 12 | Q113, Q117, Q119, Q121, Q126, Q128, Q213, Q217, Q219, Q221, Q226, Q228 |
| C 7526-4 | 3POS .1 CENTER MTA HEADER | 1 | J1 |
| C 7558-7 | MC33079P QUAD LOW NOISE OP A | 2 | U103, U203 |
| C 7597-5 | J202 N-CHANNEL JFET | 2 | Q131, Q231 |
| C 7636-1 | MC33078P DUAL LOW NOISE OP A | 2 | U109, U209 |
| C 7779-9 | 22. OHM .25W 5% FU/FP T/R | 8 | R309, R312, R314, R318, R409, R412, R414, R418 |
| C 7960-5 | DPDT 3POS PC SLIDE SWITCH | 1 | S1 |
| C 7964-7 | .22UF 100V AXIAL CER CAP T/R | 4 | C140, C146, C240, C246 |
| C 8182-5 | 1N753A 6.2V .5W ZENER DIODE | 2 | D120, D220 |
| C 8576-8 | 100UF 35V 10% ALUM ELECT T/A | 6 | C105, C149, C150, C205, C249, C250 |
| C 8750-9 | 10UF 16V NP ELECTROLYTIC | 2 | C173, C273 |
| C 8812-7 | 5.5" CABLE TIE | 4 | HW10, HW7, HW8, HW9 |
| C 8836-6 | 100 OHM .5W 5% FU/FP T/R | 4 | R152, R155, R252, R255 |
| C 8897-8 | .1UF 100V 20% Z5U RAD CER T/ | 9 | C109, C125, C132, C153, C209, C225, C232, C253, C6 |
| C 9079-2 | 200.OHM TOP ADJ CERMET TRIMM | 2 | R103, R203 |
| C 9238-4 | .0027UF 100V AXIAL CER T/R | 2 | C170, C270 |
| C 9464-6 | 10PF 100V 5% NPO RAD CER T/R | 2 | C108, C208 |

INACTIVE

For Reference Use Only

CROWN INTERNATIONAL INC.

1718 WEST MISHAWAKA ROAD ELKHART, INDIANA 46517 PHONE (219) 294-8000

THESE DRAWINGS AND SPECIFICATIONS ARE THE PROPERTY OF CROWN INTERNATIONAL, INC. AND SHALL NOT BE REPRODUCED, COPIED, OR USED AS THE BASIS FOR THE MANUFACTURE OR SALE OF APPARATUS OR DEVICES WITHOUT PERMISSION.

| | | | | | |
|-------|------|----------|----------|------------------|-----|
| DRAWN | TLM | 02-24-97 | DWG. NO. | SHEET 7 | REV |
| PROJ. | D360 | | 100298 | CONT. ON SHEET 8 | (B) |

PARTS LIST

| REF DES | C. P. N. | DESCRIPTION | MAP LOC. |
|---------|----------|--------------------------------|----------|
| 1 | 100291-2 | PWB; CT10 MAIN. . . | |
| C1 | C 4303-1 | 1000UF 35V AXIAL CAP | H 4 |
| C2 | C 4303-1 | 1000UF 35V AXIAL CAP | I 4 |
| C3 | C 6804-6 | .1UF 50V AXIAL CER T/R 104 | J 5 |
| C4 | C 5362-6 | 2.2UF 50V VERT ELECT T/A | J 5 |
| C5 | C 6804-6 | .1UF 50V AXIAL CER T/R 104 | I 2 |
| C6 | C 8897-8 | .1UF 100V 20% Z5U RAD CER T/R | E 1 |
| C100 | C 6813-7 | 27PF 200V 10% NPO AXIAL CER | J 3 |
| C101 | C 6813-7 | 27PF 200V 10% NPO AXIAL CER | J 2 |
| C102 | C 6813-7 | 27PF 200V 10% NPO AXIAL CER | J 2 |
| C103 | C 6805-3 | .022UF 100V AXIALCER T/R 223 | J 2 |
| C104 | C 6805-3 | .022UF 100V AXIALCER T/R 223 | K 3 |
| C105 | C 8576-8 | 100UF 35V 10% ALUM ELECT T/A | I 1 |
| C106 | C 6812-9 | 47PF 200V 10% NPO AXL CER | J 2 |
| C107 | C 5311-3 | 22UF 50V 20% NP VERT T/A | K 1 |
| C108 | C 9464-6 | 10PF 100V 5% NPO RAD CER T/R | K 2 |
| C109 | C 8897-8 | .1UF 100V 20% Z5U RAD CER T/R | J 2 |
| C110 | C 6812-9 | 47PF 200V 10% NPO AXL CER | K 2 |
| C111 | C 6812-9 | 47PF 200V 10% NPO AXL CER | L 3 |
| C112 | C 6812-9 | 47PF 200V 10% NPO AXL CER | L 2 |
| C113 | C 6812-9 | 47PF 200V 10% NPO AXL CER | L 3 |
| C114 | C 6812-9 | 47PF 200V 10% NPO AXL CER | L 3 |
| C115 | C 6805-3 | .022UF 100V AXIALCER T/R 223 | L 3 |
| C116 | C 6805-3 | .022UF 100V AXIALCER T/R 223 | L 2 |
| C117 | C 6806-1 | .01UF 100V AXIAL CER T/R 103 | M 3 |
| C118 | C 6814-5 | 12PF 200V AXIAL CER T/R 120 | M 2 |
| C119 | C 6814-5 | 12PF 200V AXIAL CER T/R 120 | M 3 |
| C120 | C 6808-7 | 470.PF 100V 5% NPO AXL CER T/R | P 5 |
| C121 | C 6810-3 | 180PF 100V AXIAL CER T/R 181 | M 4 |
| C122 | C 6807-9 | .001UF 100V 10% AXL CER T/R | P 5 |
| C123 | C 6807-9 | .001UF 100V 10% AXL CER T/R | O 5 |
| C124 | C 6806-1 | .01UF 100V AXIAL CER T/R 103 | K 4 |
| C125 | C 8897-8 | .1UF 100V 20% Z5U RAD CER T/R | K 4 |
| C126 | C 6811-1 | 100PF 200V 10% NPO AXL CER T/R | K 4 |
| C127 | C 6950-7 | 82PF 200V 5% NPO AXIAL CER T/R | K 4 |
| C128 | C 6812-9 | 47PF 200V 10% NPO AXL CER | K 3 |
| C129 | C 6814-5 | 12PF 200V AXIAL CER T/R 120 | K 3 |
| C130 | C 6813-7 | 27PF 200V 10% NPO AXIAL CER | K 3 |
| C131 | C 6806-1 | .01UF 100V AXIAL CER T/R 103 | K 3 |
| C132 | C 8897-8 | .1UF 100V 20% Z5U RAD CER T/R | K 3 |
| C133 | C 6812-9 | 47PF 200V 10% NPO AXL CER | K 3 |
| C134 | C 6804-6 | .1UF 50V AXIAL CER T/R 104 | P 3 |
| C135 | C 6804-6 | .1UF 50V AXIAL CER T/R 104 | O 3 |
| C136 | C 6804-6 | .1UF 50V AXIAL CER T/R 104 | O 2 |
| C137 | C 6804-6 | .1UF 50V AXIAL CER T/R 104 | P 2 |
| C138 | C 6804-6 | .1UF 50V AXIAL CER T/R 104 | O 4 |
| C139 | C 6804-6 | .1UF 50V AXIAL CER T/R 104 | P 4 |
| | | | |
| | | | |
| | | | |

INACTIVE

For Reference Use Only

CROWN INTERNATIONAL INC.

1718 WEST MISHAWAKA ROAD ELKHART, INDIANA 46517 PHONE (219) 294-8000

| | | | | | |
|-------|------|----------|----------|----------|-----|
| DRAWN | TLM | 02-24-97 | DWG. NO. | SHEET 9 | REV |
| PROJ. | D360 | | 100298 | CONT. ON | (B) |
| | | | | SHEET 10 | |

THESE DRAWINGS AND SPECIFICATIONS ARE THE PROPERTY OF CROWN INTERNATIONAL, INC. AND SHALL NOT BE REPRODUCED, COPIED, OR USED AS THE BASIS FOR THE MANUFACTURE OR SALE OF APPARATUS OR DEVICES WITHOUT PERMISSION.

PARTS LIST

| REF DES | C. P. N. | DESCRIPTION | MAP LOC. |
|---------|--------------|--------------------------------|----------|
| C140 | C 7964-7 | .22UF 100V AXIAL CER CAP T/R | O 4 |
| C141 | C 6804-6 | .1UF 50V AXIAL CER T/R 104 | O 4 |
| C142 | C10588-9 | 15UF 35V 20% NP RAD ELECT T/R | N 4 |
| C143 | C10587-1 | 220UF 25V 20% NP RAD ELECT T/R | N 5 |
| C144 | C 6804-6 | .1UF 50V AXIAL CER T/R 104 | P 3 |
| C145 | C 6804-6 | .1UF 50V AXIAL CER T/R 104 | P 4 |
| C146 | C 7964-7 | .22UF 100V AXIAL CER CAP T/R | P 4 |
| C147 | C10588-9 | 15UF 35V 20% NP RAD ELECT T/R | P 4 |
| C148 | C10587-1 | 220UF 25V 20% NP RAD ELECT T/R | P 5 |
| C149 | C 8576-8 | 100UF 35V 10% ALUM ELECT T/A | M 5 |
| C150 | C 8576-8 | 100UF 35V 10% ALUM ELECT T/A | M 4 |
| C151 | C 5362-6 | 2.2UF 50V VERT ELECT T/A | L 5 |
| C152 | C 6802-0 | .47UF 50V AXIAL CER T/R 474 | L 5 |
| C153 | C 8897-8 | .1UF 100V 20% Z5U RAD CER T/R | K 5 |
| C154 | C 6802-0 | .47UF 50V AXIAL CER T/R 474 | L 6 |
| C155 | C 4019-3 | 4.7UF 35V 10% TANT CAP | J 5 |
| C156 | | DO NOT INSTALL | M 4 |
| C157 | | DO NOT INSTALL | M 4 |
| C158 | C 6811-1 | 100PF 200V 10% NPO AXL CER T/R | N 4 |
| C159 | C 6811-1 | 100PF 200V 10% NPO AXL CER T/R | N 3 |
| C160 | C 6804-6 | .1UF 50V AXIAL CER T/R 104 | N 4 |
| C161 | C 6804-6 | .1UF 50V AXIAL CER T/R 104 | N 3 |
| C162 | C 6811-1 | 100PF 200V 10% NPO AXL CER T/R | I 4 |
| C163 | C 6811-1 | 100PF 200V 10% NPO AXL CER T/R | I 4 |
| C164 | A10434-104JD | .1UF 250V 5% MTL POLY FILM T/A | O 6 |
| C169 | C 6802-0 | .47UF 50V AXIAL CER T/R 474 | L 6 |
| C170 | C 9238-4 | .0027UF 100V AXIAL CER T/R | L 6 |
| C171 | C10208-4 | 100.UF 25V 20% RAD ELECT T/R | J 1 |
| C172 | C10208-4 | 100.UF 25V 20% RAD ELECT T/R | J 1 |
| C173 | C 8750-9 | 10UF 16V NP ELECTROLYTIC | J 5 |
| C200 | C 6813-7 | 27PF 200V 10% NPO AXIAL CER | G 3 |
| C201 | C 6813-7 | 27PF 200V 10% NPO AXIAL CER | G 2 |
| C202 | C 6813-7 | 27PF 200V 10% NPO AXIAL CER | G 2 |
| C205 | C 8576-8 | 100UF 35V 10% ALUM ELECT T/A | H 1 |
| C206 | C 6812-9 | 47PF 200V 10% NPO AXL CER | G 2 |
| C207 | C 5311-3 | 22UF 50V 20% NP VERT T/A | F 1 |
| C208 | C 9464-6 | 10PF 100V 5% NPO RAD CER T/R | F 2 |
| C209 | C 8897-8 | .1UF 100V 20% Z5U RAD CER T/R | G 2 |
| C210 | C 6812-9 | 47PF 200V 10% NPO AXL CER | F 2 |
| C211 | C 6812-9 | 47PF 200V 10% NPO AXL CER | E 3 |
| C212 | C 6812-9 | 47PF 200V 10% NPO AXL CER | E 2 |
| C213 | C 6812-9 | 47PF 200V 10% NPO AXL CER | E 3 |
| C214 | C 6812-9 | 47PF 200V 10% NPO AXL CER | E 3 |
| C215 | C 6805-3 | .022UF 100V AXIALCER T/R 223 | E 3 |
| C216 | C 6805-3 | .022UF 100V AXIALCER T/R 223 | E 2 |
| C217 | C 6806-1 | .01UF 100V AXIAL CER T/R 103 | D 3 |
| C218 | C 6814-5 | 12PF 200V AXIAL CER T/R 120 | D 2 |
| | | | |
| | | | |
| | | | |

INACTIVE

For Reference Use Only

CROWN INTERNATIONAL INC.

1718 WEST MISHAWAKA ROAD ELKHART, INDIANA 46517 PHONE (219) 294-8000

| | | | | | |
|-------|------|----------|----------|----------|-----|
| DRAWN | TLM | 02-24-97 | DWG. NO. | SHEET 10 | REV |
| PROJ. | D360 | | 100298 | CONT. ON | (B) |
| | | | | SHEET 11 | |

THESE DRAWINGS AND SPECIFICATIONS ARE THE PROPERTY OF CROWN INTERNATIONAL, INC. AND SHALL NOT BE REPRODUCED, COPIED, OR USED AS THE BASIS FOR THE MANUFACTURE OR SALE OF APPARATUS OR DEVICES WITHOUT PERMISSION.

PARTS LIST

| REF DES | C. P. N. | DESCRIPTION | MAP LOC. |
|---------|--------------|--------------------------------|----------|
| C219 | C 6814-5 | 12PF 200V AXIAL CER T/R 120 | D 3 |
| C220 | C 6808-7 | 470.PF 100V 5% NPO AXL CER T/R | A 5 |
| C221 | C 6810-3 | 180PF 100V AXIAL CER T/R 181 | D 4 |
| C222 | C 6807-9 | .001UF 100V 10% AXL CER T/R | A 5 |
| C223 | C 6807-9 | .001UF 100V 10% AXL CER T/R | B 5 |
| C224 | C 6806-1 | .01UF 100V AXIAL CER T/R 103 | F 4 |
| C225 | C 8897-8 | .1UF 100V 20% Z5U RAD CER T/R | F 4 |
| C226 | C 6811-1 | 100PF 200V 10% NPO AXL CER T/R | F 4 |
| C227 | C 6950-7 | 82PF 200V 5% NPO AXIAL CER T/R | F 4 |
| C228 | C 6812-9 | 47PF 200V 10% NPO AXL CER | F 3 |
| C229 | C 6814-5 | 12PF 200V AXIAL CER T/R 120 | F 3 |
| C230 | C 6813-7 | 27PF 200V 10% NPO AXIAL CER | F 3 |
| C231 | C 6806-1 | .01UF 100V AXIAL CER T/R 103 | F 3 |
| C232 | C 8897-8 | .1UF 100V 20% Z5U RAD CER T/R | F 3 |
| C233 | C 6812-9 | 47PF 200V 10% NPO AXL CER | F 3 |
| C234 | C 6804-6 | .1UF 50V AXIAL CER T/R 104 | B 3 |
| C235 | C 6804-6 | .1UF 50V AXIAL CER T/R 104 | A 3 |
| C236 | C 6804-6 | .1UF 50V AXIAL CER T/R 104 | A 2 |
| C237 | C 6804-6 | .1UF 50V AXIAL CER T/R 104 | B 2 |
| C238 | C 6804-6 | .1UF 50V AXIAL CER T/R 104 | A 4 |
| C239 | C 6804-6 | .1UF 50V AXIAL CER T/R 104 | B 4 |
| C240 | C 7964-7 | .22UF 100V AXIAL CER CAP T/R | A 4 |
| C241 | C 6804-6 | .1UF 50V AXIAL CER T/R 104 | A 4 |
| C242 | C10588-9 | 15UF 35V 20% NP RAD ELECT T/R | A 4 |
| C243 | C10587-1 | 220UF 25V 20% NP RAD ELECT T/R | A 4 |
| C244 | C 6804-6 | .1UF 50V AXIAL CER T/R 104 | B 3 |
| C245 | C 6804-6 | .1UF 50V AXIAL CER T/R 104 | B 4 |
| C246 | C 7964-7 | .22UF 100V AXIAL CER CAP T/R | B 4 |
| C247 | C10588-9 | 15UF 35V 20% NP RAD ELECT T/R | C 4 |
| C248 | C10587-1 | 220UF 25V 20% NP RAD ELECT T/R | C 5 |
| C249 | C 8576-8 | 100UF 35V 10% ALUM ELECT T/A | D 5 |
| C250 | C 8576-8 | 100UF 35V 10% ALUM ELECT T/A | D 4 |
| C251 | C 5362-6 | 2.2UF 50V VERT ELECT T/A | E 5 |
| C252 | C 6802-0 | .47UF 50V AXIAL CER T/R 474 | E 5 |
| C253 | C 8897-8 | .1UF 100V 20% Z5U RAD CER T/R | F 5 |
| C254 | C 6802-0 | .47UF 50V AXIAL CER T/R 474 | E 6 |
| C255 | C 4019-3 | 4.7UF 35V 10% TANT CAP | G 5 |
| C256 | | DO NOT INSTALL | D 4 |
| C257 | | DO NOT INSTALL | D 4 |
| C258 | C 6811-1 | 100PF 200V 10% NPO AXL CER T/R | C 4 |
| C259 | C 6811-1 | 100PF 200V 10% NPO AXL CER T/R | C 3 |
| C262 | C 6811-1 | 100PF 200V 10% NPO AXL CER T/R | H 4 |
| C263 | C 6811-1 | 100PF 200V 10% NPO AXL CER T/R | H 4 |
| C264 | A10434-104JD | .1UF 250V 5% MTL POLY FILM T/A | B 6 |
| C265 | C 6805-3 | .022UF 100V AXIALCER T/R 223 | F 3 |
| C266 | C 6805-3 | .022UF 100V AXIALCER T/R 223 | G 2 |
| C267 | C 6804-6 | .1UF 50V AXIAL CER T/R 104 | C 3 |
| | | | |
| | | | |
| | | | |

INACTIVE

For Reference Use Only

| | | | |
|---------------------------------|------|------------------------|---|
| CROWN INTERNATIONAL INC. | | | |
| 1718 WEST MISHAWAKA ROAD | | ELKHART, INDIANA 46517 | PHONE (219) 294-8000 |
| DRAWN | TLM | 02-24-97 | DWG. NO. |
| PROJ. | D360 | | 100298 |
| | | | SHEET 11 REV CONT. ON SHEET 12 (B) |

THESE DRAWINGS AND SPECIFICATIONS ARE THE PROPERTY OF CROWN INTERNATIONAL, INC. AND SHALL NOT BE REPRODUCED, COPIED, OR USED AS THE BASIS FOR THE MANUFACTURE OR SALE OF APPARATUS OR DEVICES WITHOUT PERMISSION.

PARTS LIST

| REF DES | C. P. N. | DESCRIPTION | MAP LOC. |
|---------|----------|-------------------------------|----------|
| C268 | C 6804-6 | .1UF 50V AXIAL CER T/R 104 | C 3 |
| C269 | C 6802-0 | .47UF 50V AXIAL CER T/R 474 | E 6 |
| C270 | C 9238-4 | .0027UF 100V AXIAL CER T/R | E 6 |
| C271 | C10208-4 | 100.UF 25V 20% RAD ELECT T/R | G 1 |
| C272 | C10208-4 | 100.UF 25V 20% RAD ELECT T/R | G 1 |
| C273 | C 8750-9 | 10UF 16V NP ELECTROLYTIC | G 6 |
| D1 | C 2851-1 | RECTIFIER, 1N4004 SILICON T/R | G 4 |
| D2 | C 2851-1 | RECTIFIER, 1N4004 SILICON T/R | G 5 |
| D3 | C 2851-1 | RECTIFIER, 1N4004 SILICON T/R | G 4 |
| D4 | C 2851-1 | RECTIFIER, 1N4004 SILICON T/R | G 5 |
| D5 | C 2851-1 | RECTIFIER, 1N4004 SILICON T/R | J 4 |
| D6 | C 2851-1 | RECTIFIER, 1N4004 SILICON T/R | J 4 |
| D7 | C 2851-1 | RECTIFIER, 1N4004 SILICON T/R | J 5 |
| D8 | C 5082-0 | DIODE, 1N4733A 5.1V ZENER T/R | I 2 |
| D100 | C 3181-2 | DIODE, 1N4148 T/R | K 2 |
| D101 | C 3181-2 | DIODE, 1N4148 T/R | K 2 |
| D102 | C 3181-2 | DIODE, 1N4148 T/R | L 3 |
| D103 | C 3181-2 | DIODE, 1N4148 T/R | L 2 |
| D104 | C 3181-2 | DIODE, 1N4148 T/R | M 3 |
| D105 | C 3181-2 | DIODE, 1N4148 T/R | M 3 |
| D106 | C 3181-2 | DIODE, 1N4148 T/R | M 3 |
| D107 | C 3181-2 | DIODE, 1N4148 T/R | M 3 |
| D108 | C 3181-2 | DIODE, 1N4148 T/R | M 2 |
| D109 | C 3181-2 | DIODE, 1N4148 T/R | M 2 |
| D110 | C 5061-4 | DIODE, 1N3070 10K/T&R | M 2 |
| D111 | C 3181-2 | DIODE, 1N4148 T/R | O 5 |
| D112 | C 3181-2 | DIODE, 1N4148 T/R | P 5 |
| D113 | C 5061-4 | DIODE, 1N3070 10K/T&R | M 3 |
| D114 | C 5061-4 | DIODE, 1N3070 10K/T&R | K 4 |
| D115 | C 3181-2 | DIODE, 1N4148 T/R | K 4 |
| D116 | C 3181-2 | DIODE, 1N4148 T/R | K 3 |
| D117 | C 5061-4 | DIODE, 1N3070 10K/T&R | K 3 |
| D118 | C 3181-2 | DIODE, 1N4148 T/R | J 3 |
| D119 | C 3181-2 | DIODE, 1N4148 T/R | J 3 |
| D120 | C 8182-5 | 1N753A 6.2V .5W ZENER DIODE | O 3 |
| D121 | C 3181-2 | DIODE, 1N4148 T/R | L 5 |
| D122 | C 3181-2 | DIODE, 1N4148 T/R | L 5 |
| D123 | C 3181-2 | DIODE, 1N4148 T/R | L 6 |
| D124 | C 3181-2 | DIODE, 1N4148 T/R | L 6 |
| D125 | C 3181-2 | DIODE, 1N4148 T/R | L 6 |
| D127 | C 3181-2 | DIODE, 1N4148 T/R | L 6 |
| D128 | C 3533-4 | DIODE, 1N966B 16V ZENER T/R | L 5 |
| D129 | C 2851-1 | RECTIFIER, 1N4004 SILICON T/R | L 5 |
| D130 | C 3181-2 | DIODE, 1N4148 T/R | K 4 |
| D131 | C 3181-2 | DIODE, 1N4148 T/R | K 3 |
| D132 | C 2851-1 | RECTIFIER, 1N4004 SILICON T/R | L 5 |
| D133 | C 3181-2 | DIODE, 1N4148 T/R | J 1 |
| | | | |
| | | | |
| | | | |

INACTIVE

For Reference Use Only

| | | | |
|---------------------------------|------|------------------------|----------------------------------|
| CROWN INTERNATIONAL INC. | | | |
| 1718 WEST MISHAWAKA ROAD | | ELKHART, INDIANA 46517 | PHONE (219) 294-8000 |
| DRAWN | TLM | 02-24-97 | DWG. NO. |
| PROJ. | D360 | | 100298 |
| | | | SHEET 12 CONT. ON SHEET 13 |
| | | | REV (B) |

THESE DRAWINGS AND SPECIFICATIONS ARE THE PROPERTY OF CROWN INTERNATIONAL, INC. AND SHALL NOT BE REPRODUCED, COPIED, OR USED AS THE BASIS FOR THE MANUFACTURE OR SALE OF APPARATUS OR DEVICES WITHOUT PERMISSION.

PARTS LIST

| REF DES | C. P. N. | DESCRIPTION | MAP LOC. |
|---------|----------|-------------------------------|----------|
| D134 | C 3181-2 | DIODE, 1N4148 T/R | J 2 |
| D135 | C 3549-0 | DIODE, 1N961B 10V ZENER T/R | J 5 |
| D200 | C 3181-2 | DIODE, 1N4148 T/R | F 2 |
| D201 | C 3181-2 | DIODE, 1N4148 T/R | F 2 |
| D202 | C 3181-2 | DIODE, 1N4148 T/R | E 3 |
| D203 | C 3181-2 | DIODE, 1N4148 T/R | E 2 |
| D204 | C 3181-2 | DIODE, 1N4148 T/R | D 3 |
| D205 | C 3181-2 | DIODE, 1N4148 T/R | D 3 |
| D206 | C 3181-2 | DIODE, 1N4148 T/R | D 3 |
| D207 | C 3181-2 | DIODE, 1N4148 T/R | D 3 |
| D208 | C 3181-2 | DIODE, 1N4148 T/R | D 2 |
| D209 | C 3181-2 | DIODE, 1N4148 T/R | D 2 |
| D210 | C 5061-4 | DIODE, 1N3070 10K/T&R | D 2 |
| D211 | C 3181-2 | DIODE, 1N4148 T/R | B 5 |
| D212 | C 3181-2 | DIODE, 1N4148 T/R | A 5 |
| D213 | C 5061-4 | DIODE, 1N3070 10K/T&R | D 3 |
| D214 | C 5061-4 | DIODE, 1N3070 10K/T&R | F 4 |
| D215 | C 3181-2 | DIODE, 1N4148 T/R | F 4 |
| D216 | C 3181-2 | DIODE, 1N4148 T/R | F 3 |
| D217 | C 5061-4 | DIODE, 1N3070 10K/T&R | F 3 |
| D218 | C 3181-2 | DIODE, 1N4148 T/R | G 3 |
| D219 | C 3181-2 | DIODE, 1N4148 T/R | G 3 |
| D220 | C 8182-5 | 1N753A 6.2V .5W ZENER DIODE | A 3 |
| D221 | C 3181-2 | DIODE, 1N4148 T/R | E 5 |
| D222 | C 3181-2 | DIODE, 1N4148 T/R | E 5 |
| D223 | C 3181-2 | DIODE, 1N4148 T/R | E 6 |
| D224 | C 3181-2 | DIODE, 1N4148 T/R | E 6 |
| D225 | C 3181-2 | DIODE, 1N4148 T/R | E 6 |
| D227 | C 3181-2 | DIODE, 1N4148 T/R | E 6 |
| D228 | C 3533-4 | DIODE, 1N966B 16V ZENER T/R | E 5 |
| D229 | C 2851-1 | RECTIFIER, 1N4004 SILICON T/R | E 5 |
| D230 | C 3181-2 | DIODE, 1N4148 T/R | F 4 |
| D231 | C 3181-2 | DIODE, 1N4148 T/R | F 3 |
| D232 | C 2851-1 | RECTIFIER, 1N4004 SILICON T/R | E 5 |
| D233 | C 3181-2 | DIODE, 1N4148 T/R | G 1 |
| D234 | C 3181-2 | DIODE, 1N4148 T/R | G 2 |
| D235 | C 3549-0 | DIODE, 1N961B 10V ZENER T/R | G 5 |
| E100 | C 9857-1 | LED, RED T1 .1 LEAD SPACE T/R | M 5 |
| E101 | C 9857-1 | LED, RED T1 .1 LEAD SPACE T/R | M 5 |
| E200 | C 9857-1 | LED, RED T1 .1 LEAD SPACE T/R | D 5 |
| E201 | C 9857-1 | LED, RED T1 .1 LEAD SPACE T/R | D 5 |
| HW7 | C 8812-7 | 5.5" CABLE TIE | A 6 |
| HW8 | C 8812-7 | 5.5" CABLE TIE | C 6 |
| HW9 | C 8812-7 | 5.5" CABLE TIE | N 6 |
| HW10 | C 8812-7 | 5.5" CABLE TIE | P 6 |
| J1 | C 7526-4 | 3POS .1 CENTER MTA HEADER | I 6 |
| J2A | C10570-7 | 20 PIN HDR PICO FLEX TIN | I 3 |
| | | | |
| | | | |
| | | | |

INACTIVE

For Reference Use Only

CROWN INTERNATIONAL INC.

1718 WEST MISHAWAKA ROAD ELKHART, INDIANA 46517 PHONE (219) 294-8000

THESE DRAWINGS AND SPECIFICATIONS ARE THE PROPERTY OF CROWN INTERNATIONAL, INC. AND SHALL NOT BE REPRODUCED, COPIED, OR USED AS THE BASIS FOR THE MANUFACTURE OR SALE OF APPARATUS OR DEVICES WITHOUT PERMISSION.

DRAWN

TLM

02-24-97

DWG. NO.

100298

 SHEET 13
 CONT. ON
 SHEET 14

REV

PROJ.

D360

PARTS LIST

| REF DES | C. P. N. | DESCRIPTION | MAP LOC. |
|---------|--------------|---------------------------------|----------|
| Q207 | C 5891-4 | MTS105 THERMAL SENSE T/R | A 5 |
| Q208 | C 3786-8 | MPS4250A 40V PNP T/R | A 5 |
| Q209 | C 3810-6 | MPSA42 300V NPN T/R | D 4 |
| Q210 | C 5891-4 | MTS105 THERMAL SENSE T/R | A 5 |
| Q211 | C 3786-8 | MPS4250A 40V PNP T/R | B 5 |
| Q212 | D 2962-5 | MPSA18 45V NPN T/R | F 4 |
| Q213 | C 7458-0 | 2N4123 30V NPN T/R | G 4 |
| Q214 | C 3625-8 | 2N4125 30V PNP T/R | G 3 |
| Q215 | C 3786-8 | MPS4250A 40V PNP T/R | F 3 |
| Q216 | C 3625-8 | 2N4125 30V PNP T/R | B 1 |
| Q217 | C 7458-0 | 2N4123 30V NPN T/R | B 1 |
| Q218 | C 3625-8 | 2N4125 30V PNP T/R | C 5 |
| Q219 | C 7458-0 | 2N4123 30V NPN T/R | C 5 |
| Q220 | C 3625-8 | 2N4125 30V PNP T/R | C 4 |
| Q221 | C 7458-0 | 2N4123 30V NPN T/R | C 4 |
| Q222 | C 3625-8 | 2N4125 30V PNP T/R | C 4 |
| Q223 | C 3625-8 | 2N4125 30V PNP T/R | D 5 |
| Q224 | C 3625-8 | 2N4125 30V PNP T/R | D 4 |
| Q225 | C 3625-8 | 2N4125 30V PNP T/R | D 4 |
| Q226 | C 7458-0 | 2N4123 30V NPN T/R | E 4 |
| Q227 | C 3810-6 | MPSA42 300V NPN T/R | F 4 |
| Q228 | C 7458-0 | 2N4123 30V NPN T/R | D 4 |
| Q229 | C 3625-8 | 2N4125 30V PNP T/R | D 4 |
| Q230 | C 3578-9 | MPSA93 200V PNP T/R | E 4 |
| Q231 | C 7597-5 | J202 N-CHANNEL JFET | G 6 |
| R1 | A10265-46421 | 46.4 KOHM .25W 1% MF T/R | E 2 |
| R2 | A10265-53621 | 53.6 KOHM .25W 1% MF T/R | F 2 |
| R4 | A10265-10031 | 100. KOHM .25W 1% MF T/R | G 5 |
| R5 | A10265-24921 | 24.9 KOHM .25W 1% MF T/R | G 5 |
| R6 | A10265-24921 | 24.9 KOHM .25W 1% MF T/R | F 5 |
| R7 | A10265-10031 | 100. KOHM .25W 1% MF T/R | F 5 |
| R8 | A10266-1051 | 1.0 MOHM .25W 5% CF T/R | H 2 |
| R9 | A10266-1051 | 1.0 MOHM .25W 5% CF T/R | H 2 |
| R10 | A10266-1051 | 1.0 MOHM .25W 5% CF T/R | H 2 |
| R11 | A10266-9111 | 910. OHM .25W 5% CF T/R | I 2 |
| R12 | A10124-24 | WIRE, #24 SOLID BUS | J 6 |
| R13 | A10124-24 | WIRE, #24 SOLID BUS | H 6 |
| R100 | A10265-10021 | 10. KOHM .25W 1% MF T/R | J 3 |
| R101 | A10265-10021 | 10. KOHM .25W 1% MF T/R | J 3 |
| R102 | A10265-10021 | 10. KOHM .25W 1% MF T/R | J 3 |
| R103 | C 9079-2 | 200. OHM TOP ADJ CERMET TRIMMER | I 2 |
| R104 | A10265-10021 | 10. KOHM .25W 1% MF T/R | J 2 |
| R105 | A10265-49911 | 4.99KOHM .25W 1% MF T/R | I 3 |
| R106 | A10265-49911 | 4.99KOHM .25W 1% MF T/R | I 3 |
| R107 | 101051-1 | 5K, , 10%, LINEAR W/21 DETENT | J 2 |
| R108 | A10265-76811 | 7.68 KOHM .25W 1% MF T/R | I 1 |
| | | | |
| | | | |
| | | | |
| | | | |

INACTIVE

For Reference Use Only

CROWN INTERNATIONAL INC.

1718 WEST MISHAWAKA ROAD ELKHART, INDIANA 46517 PHONE (219) 294-8000

THESE DRAWINGS AND SPECIFICATIONS ARE THE PROPERTY OF CROWN INTERNATIONAL, INC. AND SHALL NOT BE REPRODUCED, COPIED, OR USED AS THE BASIS FOR THE MANUFACTURE OR SALE OF APPARATUS OR DEVICES WITHOUT PERMISSION.

DRAWN

TLM

02-24-97

DWG. NO.

PROJ.

D360

100298

SHEET 15
CONT. ON
SHEET 16

REV
©

PARTS LIST

| REF DES | C. P. N. | DESCRIPTION | MAP LOC. |
|---------|--------------|--------------------------------|----------|
| R109 | A10265-24921 | 24.9 KOHM .25W 1% MF T/R | I 1 |
| R110 | A10265-69811 | 6.98 KOHM .25W 1% MF T/R | I 1 |
| R111 | A10265-24921 | 24.9 KOHM .25W 1% MF T/R | K 2 |
| R112 | A10266-2201 | 22.0 OHM .25W 5 CF T/R | J 2 |
| R113 | A10265-49911 | 4.99KOHM .25W 1 MF T/R | K 2 |
| R114 | A10265-10031 | 100. KOHM .25W 1 MF T/R | K 2 |
| R115 | A10265-15031 | 150 KOHM .25 1% MF T/R | J 4 |
| R116 | A10265-10721 | 10.7KOHM .25W 1% MF T/R | I 4 |
| R117 | A10265-20031 | 200. KOHM .25W 1 MF T/R | I 3 |
| R118 | A10265-10521 | 10.5KOHM .25W 1% MF T/R | I 3 |
| R119 | A10265-10031 | 100. KOHM .25W 1 MF T/R | K 2 |
| R120 | A10266-5111 | 510. OHM .25W 5 CF T/R | K 2 |
| R121 | C 5215-6 | 22. MOHM .25W 5 THICK FILM T/R | K 2 |
| R122 | A10266-1321 | 1.3 KOHM .25W 5 CF T/R | K 2 |
| R123 | A10265-49911 | 4.99KOHM .25W 1 MF T/R | K 2 |
| R124 | A10266-1231 | 12. KOHM .25W 5% CF T/R | L 3 |
| R125 | A10266-1231 | 12. KOHM .25W 5% CF T/R | L 2 |
| R126 | A10266-2721 | 2.7 KOHM .25W 5 CF T/R | L 3 |
| R127 | A10266-2721 | 2.7 KOHM .25W 5 CF T/R | L 2 |
| R128 | A10266-6831 | 68. KOHM .25W 5% CF T/R | L 3 |
| R129 | A10266-6831 | 68. KOHM .25W 5% CF T/R | L 3 |
| R130 | A10265-10031 | 100. KOHM .25W 1 MF T/R | L 3 |
| R131 | A10265-10031 | 100. KOHM .25W 1 MF T/R | L 2 |
| R132 | A10266-4701 | 47.0 OHM .25W 5 CF T/R | L 4 |
| R133 | A10266-4701 | 47.0 OHM .25W 5 CF T/R | L 2 |
| R134 | A10266-4711 | 470. OHM .25W 5% CF T/R | M 3 |
| R135 | A10266-2201 | 22.0 OHM .25W 5 CF T/R | M 3 |
| R136 | A10266-8211 | 820. OHM .25W 5% CF T/R | M 3 |
| R137 | A10266-8211 | 820. OHM .25W 5% CF T/R | M 2 |
| R138 | A10266-2201 | 22.0 OHM .25W 5 CF T/R | M 2 |
| R139 | A10266-5601 | 56.0 OHM .25W 5% CF T/R | M 2 |
| R140 | A10266-4721 | 4.7 KOHM .25W 5% CF T/R | P 5 |
| R141 | A10266-5601 | 56.0 OHM .25W 5% CF T/R | M 4 |
| R142 | A10265-66501 | 665. OHM .25W 1 MF T/R | O 5 |
| R143 | A10265-27401 | 274. OHM .25W 1% MF T/R | P 5 |
| R144 | A10265-27401 | 274. OHM .25W 1% MF T/R | O 5 |
| R145 | A10265-66501 | 665. OHM .25W 1 MF T/R | O 5 |
| R146 | A10265-66501 | 665. OHM .25W 1 MF T/R | O 5 |
| R147 | A10265-66501 | 665. OHM .25W 1 MF T/R | O 5 |
| R148 | A10266-1041 | 100. KOHM .25W 5% CF25 T/R | P 5 |
| R149 | A10265-35711 | 3.57KOHM .25W 1 MF T/R | P 5 |
| R150 | A10265-35711 | 3.57KOHM .25W 1 MF T/R | O 5 |
| R151 | A10266-1041 | 100. KOHM .25W 5% CF25 T/R | O 5 |
| R152 | C 8836-6 | 100 OHM .5W 5% FU/FP T/R | K 4 |
| R153 | A10266-1031 | 10. KOHM .25W 5% CF T/R | K 4 |
| R154 | A10266-2721 | 2.7 KOHM .25W 5 CF T/R | K 3 |
| R155 | C 8836-6 | 100 OHM .5W 5% FU/FP T/R | K 3 |
| | | | |
| | | | |
| | | | |

INACTIVE

For Reference Use Only

THESE DRAWINGS AND SPECIFICATIONS ARE THE PROPERTY OF CROWN INTERNATIONAL, INC. AND SHALL NOT BE REPRODUCED, COPIED, OR USED AS THE BASIS FOR THE MANUFACTURE OR SALE OF APPARATUS OR DEVICES WITHOUT PERMISSION.

CROWN INTERNATIONAL INC.

1718 WEST MISHAWAKA ROAD ELKHART, INDIANA 46517 PHONE (219) 294-8000

| | | | | | |
|-------|------|----------|----------|-------------------|-----|
| DRAWN | TLM | 02-24-97 | DWG. NO. | SHEET 16 | REV |
| PROJ. | D360 | | 100298 | CONT. ON SHEET 17 | (B) |

PARTS LIST

| REF DES | C. P. N. | DESCRIPTION | MAP LOC. |
|---------|--------------|--------------------------------|----------|
| R156 | A10266-1031 | 10. KOHM .25W 5% CF T/R | K 3 |
| R157 | A10266-2721 | 2.7 KOHM .25W 5 CF T/R | K 3 |
| R158 | A10266-3021 | 3.0 KOHM .25W 5 CF T/R | J 4 |
| R159 | A10265-10011 | 1.0 KOHM .25W 1 MF T/R | K 3 |
| R160 | A10265-10021 | 10. KOHM .25W 1 MF T/R | J 3 |
| R161 | A10266-4721 | 4.7 KOHM .25W 5% CF T/R | J 3 |
| R162 | A10266-4721 | 4.7 KOHM .25W 5% CF T/R | J 3 |
| R163 | A10265-10021 | 10. KOHM .25W 1 MF T/R | J 3 |
| R164 | C 5215-6 | 22. MOHM .25W 5 THICK FILM T/R | K 3 |
| R165 | A10265-27431 | 274. KOHM .25W 1% MF T/R | J 4 |
| R166 | A10265-95311 | 9.53KOHM .25W 1% MF T/R | I 4 |
| R167 | A10266-1321 | 1.3 KOHM .25W 5 CF T/R | K 3 |
| R168 | A10124-24 | WIRE, #24 SOLID BUS | K 3 |
| R169 | A10265-27431 | 274. KOHM .25W 1% MF T/R | J 2 |
| R170 | A10265-95311 | 9.53KOHM .25W 1% MF T/R | J 2 |
| R171 | A10266-5621 | 5.6 KOHM .25W 5% CF T/R | P 3 |
| R172 | A10266-1541 | 150. KOHM .25W 5% CF T/R | O 3 |
| R173 | A10265-17021 | 17.8KOHM .25W 1% MF T/R | O 3 |
| R174 | A10265-24921 | 24.9 KOHM .25W 1% MF T/R | O 3 |
| R175 | A10265-49911 | 4.99KOHM .25W 1 MF T/R | O 3 |
| R176 | A10265-68111 | 6.81KOHM .25W 1% MF T/R | O 3 |
| R177 | A10265-33221 | 33.2KOHM .25W 1% MF T/R | O 4 |
| R178 | A10265-10021 | 10. KOHM .25W 1 MF T/R | O 4 |
| R179 | A10265-20011 | 2.0 KOHM .25W 1% MF T/R | O 3 |
| R180 | A10265-20011 | 2.0 KOHM .25W 1% MF T/R | O 3 |
| R181 | A10265-10001 | 100. OHM .25W 1 MF T/R | O 2 |
| R182 | A10265-51121 | 51.1 KOHM .25W 1% MF T/R | O 2 |
| R183 | A10265-68111 | 6.81KOHM .25W 1% MF T/R | O 2 |
| R184 | A10265-10001 | 100. OHM .25W 1 MF T/R | O 2 |
| R185 | A10266-2741 | 270. KOHM .25W 5% CF25 T/R | O 2 |
| R186 | C 5062-2 | 100KOHM LINEAR TRIMPOT | O 2 |
| R187 | A10265-14721 | 14.7 KOHM .25W 1% MF T/R | O 4 |
| R188 | A10265-30921 | 30.9 KOHM .25W 1% MF T/R | O 4 |
| R189 | A10265-19121 | 19.1KOHM .25W 1% MF T/R | O 4 |
| R190 | A10265-33221 | 33.2KOHM .25W 1% MF T/R | P 3 |
| R191 | A10265-10021 | 10. KOHM .25W 1 MF T/R | P 3 |
| R192 | A10265-20011 | 2.0 KOHM .25W 1% MF T/R | P 3 |
| R193 | A10265-20011 | 2.0 KOHM .25W 1% MF T/R | P 4 |
| R194 | A10265-68111 | 6.81KOHM .25W 1% MF T/R | P 3 |
| R195 | A10265-10001 | 100. OHM .25W 1 MF T/R | P 2 |
| R196 | A10265-51121 | 51.1 KOHM .25W 1% MF T/R | P 2 |
| R197 | A10265-68111 | 6.81KOHM .25W 1% MF T/R | P 2 |
| R198 | A10265-10001 | 100. OHM .25W 1 MF T/R | P 2 |
| R199 | A10266-2741 | 270. KOHM .25W 5% CF25 T/R | P 2 |
| R200 | A10265-10021 | 10. KOHM .25W 1 MF T/R | G 3 |
| R201 | A10265-10021 | 10. KOHM .25W 1 MF T/R | G 3 |
| R202 | A10265-10021 | 10. KOHM .25W 1 MF T/R | G 3 |
| | | | |
| | | | |
| | | | |

INACTIVE

For Reference Use Only

CROWN INTERNATIONAL INC.

1718 WEST MISHAWAKA ROAD ELKHART, INDIANA 46517 PHONE (219) 294-8000

THESE DRAWINGS AND SPECIFICATIONS ARE THE PROPERTY OF CROWN INTERNATIONAL, INC. AND SHALL NOT BE REPRODUCED, COPIED, OR USED AS THE BASIS FOR THE MANUFACTURE OR SALE OF APPARATUS OR DEVICES WITHOUT PERMISSION.

| | | | | | |
|-------|------|----------|----------|-------------------|-----|
| DRAWN | TLM | 02-24-97 | DWG. NO. | SHEET 17 | REV |
| PROJ. | D360 | | 100298 | CONT. ON SHEET 18 | © |

PARTS LIST

| REF DES | C. P. N. | DESCRIPTION | MAP LOC. |
|---------|--------------|--------------------------------|----------|
| R203 | C 9079-2 | 200.OHM TOP ADJ CERMET TRIMMER | H 1 |
| R204 | A10265-10021 | 10. KOHM .25W 1 MF T/R | G 2 |
| R205 | A10265-49911 | 4.99KOHM .25W 1 MF T/R | H 3 |
| R206 | A10265-49911 | 4.99KOHM .25W 1 MF T/R | H 3 |
| R207 | 101051-1 | 5K. . 10%, LINEAR W/21 DETENT | F 2 |
| R208 | A10265-76811 | 7.68 KOHM .25W 1% MF T/R | H 1 |
| R209 | A10265-24921 | 24.9 KOHM .25W 1% MF T/R | H 1 |
| R210 | A10265-69811 | 6.98 KOHM .25W 1% MF T/R | H 1 |
| R211 | A10265-24921 | 24.9 KOHM .25W 1% MF T/R | F 2 |
| R212 | A10266-2201 | 22.0 OHM .25W 5 CF T/R | G 2 |
| R213 | A10265-49911 | 4.99KOHM .25W 1 MF T/R | F 2 |
| R214 | A10265-10031 | 100. KOHM .25W 1 MF T/R | F 2 |
| R215 | A10265-15031 | 150 KOHM .25 1% MF T/R | G 4 |
| R216 | A10265-10721 | 10.7KOHM .25W 1% MF T/R | H 4 |
| R217 | A10265-20031 | 200.KOHM .25W 1 MF T/R | H 3 |
| R218 | A10265-10521 | 10.5KOHM .25W 1% MF T/R | H 3 |
| R219 | A10265-10031 | 100. KOHM .25W 1 MF T/R | F 2 |
| R220 | A10266-5111 | 510. OHM .25W 5 CF T/R | F 2 |
| R221 | C 5215-6 | 22. MOHM .25W 5 THICK FILM T/R | F 2 |
| R222 | A10266-1321 | 1.3 KOHM .25W 5 CF T/R | F 2 |
| R223 | A10265-49911 | 4.99KOHM .25W 1 MF T/R | F 2 |
| R224 | A10266-1231 | 12.KOHM .25W 5% CF T/R | E 3 |
| R225 | A10266-1231 | 12.KOHM .25W 5% CF T/R | E 2 |
| R226 | A10266-2721 | 2.7 KOHM .25W 5 CF T/R | E 3 |
| R227 | A10266-2721 | 2.7 KOHM .25W 5 CF T/R | E 2 |
| R228 | A10266-6831 | 68. KOHM .25W 5% CF T/R | E 3 |
| R229 | A10266-6831 | 68. KOHM .25W 5% CF T/R | E 3 |
| R230 | A10265-10031 | 100. KOHM .25W 1 MF T/R | E 3 |
| R231 | A10265-10031 | 100. KOHM .25W 1 MF T/R | E 2 |
| R232 | A10266-4701 | 47.0 OHM .25W 5 CF T/R | E 4 |
| R233 | A10266-4701 | 47.0 OHM .25W 5 CF T/R | E 2 |
| R234 | A10266-4711 | 470. OHM .25W 5% CF T/R | D 3 |
| R235 | A10266-2201 | 22.0 OHM .25W 5 CF T/R | D 3 |
| R236 | A10266-8211 | 820. OHM .25W 5% CF T/R | D 3 |
| R237 | A10266-8211 | 820. OHM .25W 5% CF T/R | D 2 |
| R238 | A10266-2201 | 22.0 OHM .25W 5 CF T/R | D 2 |
| R239 | A10266-5601 | 56.0 OHM .25W 5% CF T/R | D 2 |
| R240 | A10266-4721 | 4.7 KOHM .25W 5% CF T/R | A 5 |
| R241 | A10266-5601 | 56.0 OHM .25W 5% CF T/R | D 4 |
| R242 | A10265-66501 | 665. OHM .25W 1 MF T/R | B 5 |
| R243 | A10265-27401 | 274. OHM .25W 1% MF T/R | A 5 |
| R244 | A10265-27401 | 274. OHM .25W 1% MF T/R | B 5 |
| R245 | A10265-66501 | 665. OHM .25W 1 MF T/R | B 5 |
| R246 | A10265-66501 | 665. OHM .25W 1 MF T/R | B 5 |
| R247 | A10265-66501 | 665. OHM .25W 1 MF T/R | B 5 |
| R248 | A10266-1041 | 100. KOHM .25W 5% CF25 T/R | A 5 |
| R249 | A10265-35711 | 3.57KOHM .25W 1 MF T/R | A 5 |
| | | | |
| | | | |
| | | | |

INACTIVE

For Reference Use Only

THESE DRAWINGS AND SPECIFICATIONS ARE THE PROPERTY OF CROWN INTERNATIONAL, INC. AND SHALL NOT BE REPRODUCED, COPIED, OR USED AS THE BASIS FOR THE MANUFACTURE OR SALE OF APPARATUS OR DEVICES WITHOUT PERMISSION.

CROWN INTERNATIONAL INC.

1718 WEST MISHAWAKA ROAD ELKHART, INDIANA 46517 PHONE (219) 294-8000

| | | | | | |
|-------|------|----------|----------|----------|-----|
| DRAWN | TLM | 02-24-97 | DWG. NO. | SHEET 18 | REV |
| PROJ. | D360 | | 100298 | CONT. ON | (B) |
| | | | | SHEET 19 | |

PARTS LIST

| REF DES | C. P. N. | DESCRIPTION | MAP LOC. |
|---------|--------------|--------------------------------|----------|
| R250 | A10265-35711 | 3.57KOHM .25W 1 MF T/R | B 5 |
| R251 | A10266-1041 | 100. KOHM .25W 5% CF25 T/R | B 5 |
| R252 | C 8836-6 | 100 OHM .5W 5% FU/FP T/R | F 4 |
| R253 | A10266-1031 | 10. KOHM .25W 5% CF T/R | E 4 |
| R254 | A10266-2721 | 2.7 KOHM .25W 5 CF T/R | E 3 |
| R255 | C 8836-6 | 100 OHM .5W 5% FU/FP T/R | F 3 |
| R256 | A10266-1031 | 10. KOHM .25W 5% CF T/R | E 3 |
| R257 | A10266-2721 | 2.7 KOHM .25W 5 CF T/R | E 3 |
| R258 | A10266-3021 | 3.0 KOHM .25W 5 CF T/R | G 4 |
| R259 | A10265-10011 | 1.0 KOHM .25W 1 MF T/R | F 3 |
| R260 | A10265-10021 | 10. KOHM .25W 1 MF T/R | G 3 |
| R261 | A10266-4721 | 4.7 KOHM .25W 5% CF T/R | G 3 |
| R262 | A10266-4721 | 4.7 KOHM .25W 5% CF T/R | G 3 |
| R263 | A10265-10021 | 10. KOHM .25W 1 MF T/R | G 3 |
| R264 | C 5215-6 | 22. MOHM .25W 5 THICK FILM T/R | F 3 |
| R265 | A10265-27431 | 274.KOHM .25W 1% MF T/R | G 4 |
| R266 | A10265-95311 | 9.53KOHM .25W 1% MF T/R | H 4 |
| R267 | A10266-1321 | 1.3 KOHM .25W 5 CF T/R | F 3 |
| R268 | A10124-24 | WIRE, #24 SOLID BUS | F 3 |
| R269 | A10265-27431 | 274.KOHM .25W 1% MF T/R | G 2 |
| R270 | A10265-95311 | 9.53KOHM .25W 1% MF T/R | G 2 |
| R271 | A10266-5621 | 5.6 KOHM .25W 5% CF T/R | B 3 |
| R272 | A10266-1541 | 150. KOHM .25W 5% CF T/R | A 3 |
| R273 | A10265-17821 | 17.8KOHM .25W 1% MF T/R | A 3 |
| R274 | A10265-24921 | 24.9 KOHM .25W 1% MF T/R | A 3 |
| R275 | A10265-49911 | 4.99KOHM .25W 1 MF T/R | A 3 |
| R276 | A10265-68111 | 6.81KOHM .25W 1% MF T/R | A 3 |
| R277 | A10265-33221 | 33.2KOHM .25W 1% MF T/R | A 4 |
| R278 | A10265-10021 | 10. KOHM .25W 1 MF T/R | A 4 |
| R279 | A10265-20011 | 2.0 KOHM .25W 1% MF T/R | A 3 |
| R280 | A10265-20011 | 2.0 KOHM .25W 1% MF T/R | A 3 |
| R281 | A10265-10001 | 100. OHM .25W 1 MF T/R | A 2 |
| R282 | A10265-51121 | 51.1 KOHM .25W 1% MF T/R | A 2 |
| R283 | A10265-68111 | 6.81KOHM .25W 1% MF T/R | A 2 |
| R284 | A10265-10001 | 100. OHM .25W 1 MF T/R | A 2 |
| R285 | A10266-2741 | 270. KOHM .25W 5% CF25 T/R | A 2 |
| R286 | C 5062-2 | 100KOHM LINEAR TRIMPOT | A 2 |
| R287 | A10265-14721 | 14.7 KOHM .25W 1% MF T/R | A 4 |
| R288 | A10265-30921 | 30.9 KOHM .25W 1% MF T/R | A 4 |
| R289 | A10265-19121 | 19.1KOHM .25W 1% MF T/R | A 4 |
| R290 | A10265-33221 | 33.2KOHM .25W 1% MF T/R | B 3 |
| R291 | A10265-10021 | 10. KOHM .25W 1 MF T/R | B 3 |
| R292 | A10265-20011 | 2.0 KOHM .25W 1% MF T/R | B 4 |
| R293 | A10265-20011 | 2.0 KOHM .25W 1% MF T/R | B 4 |
| R294 | A10265-68111 | 6.81KOHM .25W 1% MF T/R | B 3 |
| R295 | A10265-10001 | 100. OHM .25W 1 MF T/R | B 2 |
| R296 | A10265-51121 | 51.1 KOHM .25W 1% MF T/R | B 2 |
| | | | |
| | | | |
| | | | |

INACTIVE

For Reference Use Only

CROWN INTERNATIONAL INC.

1718 WEST MISHAWAKA ROAD ELKHART, INDIANA 46517 PHONE (219) 294-8000

THESE DRAWINGS AND SPECIFICATIONS ARE THE PROPERTY OF CROWN INTERNATIONAL, INC. AND SHALL NOT BE REPRODUCED, COPIED, OR USED AS THE BASIS FOR THE MANUFACTURE OR SALE OF APPARATUS OR DEVICES WITHOUT PERMISSION.

DRAWN

TLM

02-24-97

DWG. NO.

100298

SHEET 19
CONT. ON
SHEET 20

REV

(B)

PROJ.

D360

PARTS LIST

| REF DES | C. P. N. | DESCRIPTION | MAP LOC. |
|---------|--------------|----------------------------|----------|
| R297 | A10265-68111 | 6.81KOHM .25W 1% MF T/R | B 2 |
| R298 | A10265-10001 | 100. OHM .25W 1 MF T/R | B 2 |
| R299 | A10266-2741 | 270. KOHM .25W 5% CF25 T/R | B 2 |
| R300 | C 5062-2 | 100KOHM LINEAR TRIMPOT | P 2 |
| R301 | A10265-14721 | 14.7 KOHM .25W 1% MF T/R | P 4 |
| R302 | A10265-30921 | 30.9 KOHM .25W 1% MF T/R | P 4 |
| R303 | A10265-19121 | 19.1KOHM .25W 1% MF T/R | P 4 |
| R304 | A10265-39221 | 39.2KOHM .25W 1% MF T/R | P 4 |
| R305 | A10265-35731 | 357.KOHM .25W 1 MF T/R | P 4 |
| R306 | A10266-3021 | 3.0 KOHM .25W 5 CF T/R | O 1 |
| R307 | A10266-1521 | 1.5 KOHM .25W 5% CF T/R | O 1 |
| R308 | A10266-1041 | 100. KOHM .25W 5% CF25 T/R | O 1 |
| R309 | C 7779-9 | 22. OHM .25W 5% FU/FP T/R | N 5 |
| R310 | A10266-4711 | 470. OHM .25W 5% CF T/R | N 5 |
| R311 | A10266-4711 | 470. OHM .25W 5% CF T/R | N 5 |
| R312 | C 7779-9 | 22. OHM .25W 5% FU/FP T/R | N 5 |
| R313 | A10266-4711 | 470. OHM .25W 5% CF T/R | N 5 |
| R314 | C 7779-9 | 22. OHM .25W 5% FU/FP T/R | N 4 |
| R315 | A10266-4711 | 470. OHM .25W 5% CF T/R | N 4 |
| R316 | A10266-4711 | 470. OHM .25W 5% CF T/R | N 4 |
| R317 | A10266-4711 | 470. OHM .25W 5% CF T/R | N 4 |
| R318 | C 7779-9 | 22. OHM .25W 5% FU/FP T/R | N 4 |
| R319 | A10266-2731 | 27. KOHM .25W 5 CF T/R | N 5 |
| R320 | A10266-3321 | 3.3 KOHM .25W 5% CF T/R | L 5 |
| R321 | A10266-3321 | 3.3 KOHM .25W 5% CF T/R | L 5 |
| R322 | A10266-2051 | 2.0 MOHM .25W 5 CF T/R | K 5 |
| R323 | A10266-1521 | 1.5 KOHM .25W 5% CF T/R | L 5 |
| R324 | A10266-4711 | 470. OHM .25W 5% CF T/R | K 5 |
| R325 | A10266-1041 | 100. KOHM .25W 5% CF25 T/R | K 5 |
| R326 | A10266-5121 | 5.1 KOHM .25W 5 CF T/R | K 5 |
| R327 | A10266-7521 | 7.5 KOHM .25W 5% CF T/R | K 5 |
| R328 | A10266-8231 | 82. KOHM .25W 5% CF T/R | L 5 |
| R329 | A10265-51121 | 51.1 KOHM .25W 1% MF T/R | L 6 |
| R330 | A10266-4741 | 470. KOHM .25W 5% CF T/R | L 5 |
| R331 | A10266-2751 | 2.7 MOHM .25W 5% CF T/R | L 5 |
| R332 | A10265-49931 | 499KOHM .25W 1% MF T/R | L 6 |
| R333 | A10265-28701 | 287. OHM .25W 1% MF T/R | L 6 |
| R334 | A10266-1831 | 18. KOHM .25W 5% CF T/R | L 6 |
| R335 | A10266-2051 | 2.0 MOHM .25W 5 CF T/R | J 6 |
| R336 | A10265-10011 | 1.0 KOHM .25W 1 MF T/R | K 6 |
| R337 | A10265-10021 | 10. KOHM .25W 1 MF T/R | J 6 |
| R338 | A10266-1041 | 100. KOHM .25W 5% CF25 T/R | J 6 |
| R339 | A10266-4731 | 47. KOHM .25W 5% CF25 T/R | J 6 |
| R340 | A10266-5121 | 5.1 KOHM .25W 5 CF T/R | L 6 |
| R341 | A10266-2031 | 20. KOHM .25W 5 CF T/R | L 6 |
| R342 | A10266-3921 | 3.9 KOHM .25W 5% CF T/R | L 5 |
| R343 | A10266-1031 | 10. KOHM .25W 5% CF T/R | L 5 |
| | | | |
| | | | |
| | | | |

INACTIVE

For Reference Use Only

CROWN INTERNATIONAL INC.

1718 WEST MISHAWAKA ROAD ELKHART, INDIANA 46517 PHONE (219) 294-8000

DRAWN

TLM

02-24-97

DWG. NO.

100298

SHEET 20
CONT. ON
SHEET 21REV
B

PROJ.

D360

THESE DRAWINGS AND SPECIFICATIONS ARE THE PROPERTY OF CROWN INTERNATIONAL, INC. AND SHALL NOT BE REPRODUCED, COPIED, OR USED AS THE BASIS FOR THE MANUFACTURE OR SALE OF APPARATUS OR DEVICES WITHOUT PERMISSION.

PARTS LIST

| REF DES | C. P. N. | DESCRIPTION | MAP LOC. |
|---------|--------------|----------------------------|----------|
| R344 | A10266-4731 | 47. KOHM .25W 5% CF25 T/R | L 4 |
| R345 | A10266-1031 | 10. KOHM .25W 5% CF T/R | L 5 |
| R346 | A10266-4731 | 47. KOHM .25W 5% CF25 T/R | L 4 |
| R347 | A10266-1031 | 10. KOHM .25W 5% CF T/R | L 4 |
| R348 | A10266-1031 | 10. KOHM .25W 5% CF T/R | L 4 |
| R349 | A10266-1031 | 10. KOHM .25W 5% CF T/R | L 4 |
| R350 | A10266-4701 | 47.0 OHM .25W 5 CF T/R | L 5 |
| R351 | A10266-2031 | 20. KOHM .25W 5 CF T/R | K 4 |
| R352 | A10266-1031 | 10. KOHM .25W 5% CF T/R | L 4 |
| R353 | A10266-4731 | 47. KOHM .25W 5% CF25 T/R | L 4 |
| R354 | A10266-4731 | 47. KOHM .25W 5% CF25 T/R | L 4 |
| R355 | A10266-4731 | 47. KOHM .25W 5% CF25 T/R | L 4 |
| R356 | A10266-4731 | 47. KOHM .25W 5% CF25 T/R | L 4 |
| R357 | A10266-1031 | 10. KOHM .25W 5% CF T/R | L 5 |
| R358 | A10266-2031 | 20. KOHM .25W 5 CF T/R | L 4 |
| R359 | A10265-10R01 | 10.0 OHM .25W 1 MF T/R | N 4 |
| R360 | A10266-1211 | 120. OHM .25W 5 CF T/R | N 4 |
| R361 | C 6048-0 | 500 OHM PIHER TRIM | N 4 |
| R362 | A10265-10R01 | 10.0 OHM .25W 1 MF T/R | N 4 |
| R363 | A10265-30111 | 3.01KOHM .25W 1 MF T/R | N 3 |
| R364 | A10265-18221 | 18.2KOHM .25W 1% MF T/R | N 3 |
| R365 | A10265-30111 | 3.01KOHM .25W 1 MF T/R | N 3 |
| R366 | A10265-18221 | 18.2KOHM .25W 1% MF T/R | N 3 |
| R367 | A10265-10011 | 1.0 KOHM .25W 1 MF T/R | N 3 |
| R368 | A10266-4711 | 470. OHM .25W 5% CF T/R | J 4 |
| R369 | A10266-4711 | 470. OHM .25W 5% CF T/R | J 4 |
| R370 | A10266-1831 | 18. KOHM .25W 5% CF T/R | L 6 |
| R371 | A10265-10021 | 10. KOHM .25W 1 MF T/R | J 5 |
| R400 | C 5062-2 | 100KOHM LINEAR TRIMPOT | B 2 |
| R401 | A10265-14721 | 14.7 KOHM .25W 1% MF T/R | B 4 |
| R402 | A10265-30921 | 30.9 KOHM .25W 1% MF T/R | B 4 |
| R403 | A10265-19121 | 19.1KOHM .25W 1% MF T/R | B 4 |
| R404 | A10265-39221 | 39.2KOHM .25W 1% MF T/R | B 4 |
| R405 | A10265-35731 | 357. KOHM .25W 1 MF T/R | B 5 |
| R406 | A10266-3021 | 3.0 KOHM .25W 5 CF T/R | B 1 |
| R407 | A10266-1521 | 1.5 KOHM .25W 5% CF T/R | B 1 |
| R408 | A10266-1041 | 100. KOHM .25W 5% CF25 T/R | B 1 |
| R409 | C 7779-9 | 22. OHM .25W 5% FU/FP T/R | C 5 |
| R410 | A10266-4711 | 470. OHM .25W 5% CF T/R | C 5 |
| R411 | A10266-4711 | 470. OHM .25W 5% CF T/R | C 5 |
| R412 | C 7779-9 | 22. OHM .25W 5% FU/FP T/R | C 5 |
| R413 | A10266-4711 | 470. OHM .25W 5% CF T/R | C 5 |
| R414 | C 7779-9 | 22. OHM .25W 5% FU/FP T/R | C 4 |
| R415 | A10266-4711 | 470. OHM .25W 5% CF T/R | C 4 |
| R416 | A10266-4711 | 470. OHM .25W 5% CF T/R | C 4 |
| R417 | A10266-4711 | 470. OHM .25W 5% CF T/R | C 4 |
| R418 | C 7779-9 | 22. OHM .25W 5% FU/FP T/R | C 4 |
| | | | |
| | | | |
| | | | |

INACTIVE

For Reference Use Only

CROWN INTERNATIONAL INC.

1718 WEST MISHAWAKA ROAD ELKHART, INDIANA 46517 PHONE (219) 294-8000

THESE DRAWINGS AND SPECIFICATIONS ARE THE PROPERTY OF CROWN INTERNATIONAL, INC. AND SHALL NOT BE REPRODUCED, COPIED, OR USED AS THE BASIS FOR THE MANUFACTURE OR SALE OF APPARATUS OR DEVICES WITHOUT PERMISSION.

| | | | | | |
|-------|------|----------|----------|----------|-----|
| DRAWN | TLM | 02-24-97 | DWG. NO. | SHEET 21 | REV |
| PROJ. | D360 | | 100298 | CONT. ON | (B) |
| | | | | SHEET 22 | |

PARTS LIST

| REF DES | C. P. N. | DESCRIPTION | MAP LOC. |
|---------|--------------|----------------------------|----------|
| R419 | A10266-2731 | 27. KOHM .25W 5 CF T/R | C 5 |
| R420 | A10266-3321 | 3.3 KOHM .25W 5% CF T/R | E 5 |
| R421 | A10266-3321 | 3.3 KOHM .25W 5% CF T/R | E 5 |
| R422 | A10266-2051 | 2.0 MOHM .25W 5 CF T/R | F 5 |
| R423 | A10266-1521 | 1.5 KOHM .25W 5% CF T/R | E 5 |
| R424 | A10266-4711 | 470. OHM .25W 5% CF T/R | F 5 |
| R425 | A10266-1041 | 100. KOHM .25W 5% CF25 T/R | F 5 |
| R426 | A10266-5121 | 5.1 KOHM .25W 5 CF T/R | F 5 |
| R427 | A10266-7521 | 7.5 KOHM .25W 5% CF T/R | F 5 |
| R428 | A10266-8231 | 82. KOHM .25W 5% CF T/R | E 5 |
| R429 | A10265-51121 | 51.1 KOHM .25W 1% MF T/R | E 6 |
| R430 | A10266-4741 | 470. KOHM .25W 5% CF T/R | E 5 |
| R431 | A10266-2751 | 2.7 MOHM .25W 5% CF T/R | E 5 |
| R432 | A10265-49931 | 499KOHM .25W 1% MF T/R | E 6 |
| R433 | A10265-28701 | 287. OHM .25W 1% MF T/R | E 6 |
| R434 | A10266-1831 | 18. KOHM .25W 5% CF T/R | E 6 |
| R435 | A10266-2051 | 2.0 MOHM .25W 5 CF T/R | G 6 |
| R436 | A10265-10011 | 1.0 KOHM .25W 1 MF T/R | F 6 |
| R437 | A10265-10021 | 10. KOHM .25W 1 MF T/R | G 6 |
| R438 | A10266-1041 | 100. KOHM .25W 5% CF25 T/R | G 6 |
| R439 | A10266-4731 | 47. KOHM .25W 5% CF25 T/R | G 6 |
| R440 | A10266-5121 | 5.1 KOHM .25W 5 CF T/R | E 6 |
| R441 | A10266-2031 | 20. KOHM .25W 5 CF T/R | E 6 |
| R442 | A10266-3921 | 3.9 KOHM .25W 5% CF T/R | E 5 |
| R443 | A10266-1031 | 10. KOHM .25W 5% CF T/R | E 5 |
| R444 | A10266-4731 | 47. KOHM .25W 5% CF25 T/R | E 4 |
| R445 | A10266-1031 | 10. KOHM .25W 5% CF T/R | E 5 |
| R446 | A10266-4731 | 47. KOHM .25W 5% CF25 T/R | E 4 |
| R447 | A10266-1031 | 10. KOHM .25W 5% CF T/R | E 4 |
| R448 | A10266-1031 | 10. KOHM .25W 5% CF T/R | E 4 |
| R449 | A10266-1031 | 10. KOHM .25W 5% CF T/R | E 4 |
| R450 | A10266-4701 | 47.0 OHM .25W 5 CF T/R | E 5 |
| R451 | A10266-2031 | 20. KOHM .25W 5 CF T/R | F 4 |
| R452 | A10266-1031 | 10. KOHM .25W 5% CF T/R | E 4 |
| R453 | A10266-4731 | 47. KOHM .25W 5% CF25 T/R | E 4 |
| R454 | A10266-4731 | 47. KOHM .25W 5% CF25 T/R | E 4 |
| R455 | A10266-4731 | 47. KOHM .25W 5% CF25 T/R | E 4 |
| R456 | A10266-4731 | 47. KOHM .25W 5% CF25 T/R | E 4 |
| R457 | A10266-1031 | 10. KOHM .25W 5% CF T/R | E 5 |
| R458 | A10266-2031 | 20. KOHM .25W 5 CF T/R | E 4 |
| R459 | A10265-10R01 | 10.0 OHM .25W 1 MF T/R | C 3 |
| R460 | A10266-1211 | 120. OHM .25W 5 CF T/R | C 3 |
| R461 | C 6048-0 | 500 OHM PIHER TRIM | C 4 |
| R462 | A10265-10R01 | 10.0 OHM .25W 1 MF T/R | C 4 |
| R463 | A10265-30111 | 3.01KOHM .25W 1 MF T/R | C 3 |
| R464 | A10265-18221 | 18.2KOHM .25W 1% MF T/R | C 3 |
| R465 | A10265-30111 | 3.01KOHM .25W 1 MF T/R | C 3 |
| | | | |
| | | | |
| | | | |

INACTIVE

For Reference Use Only

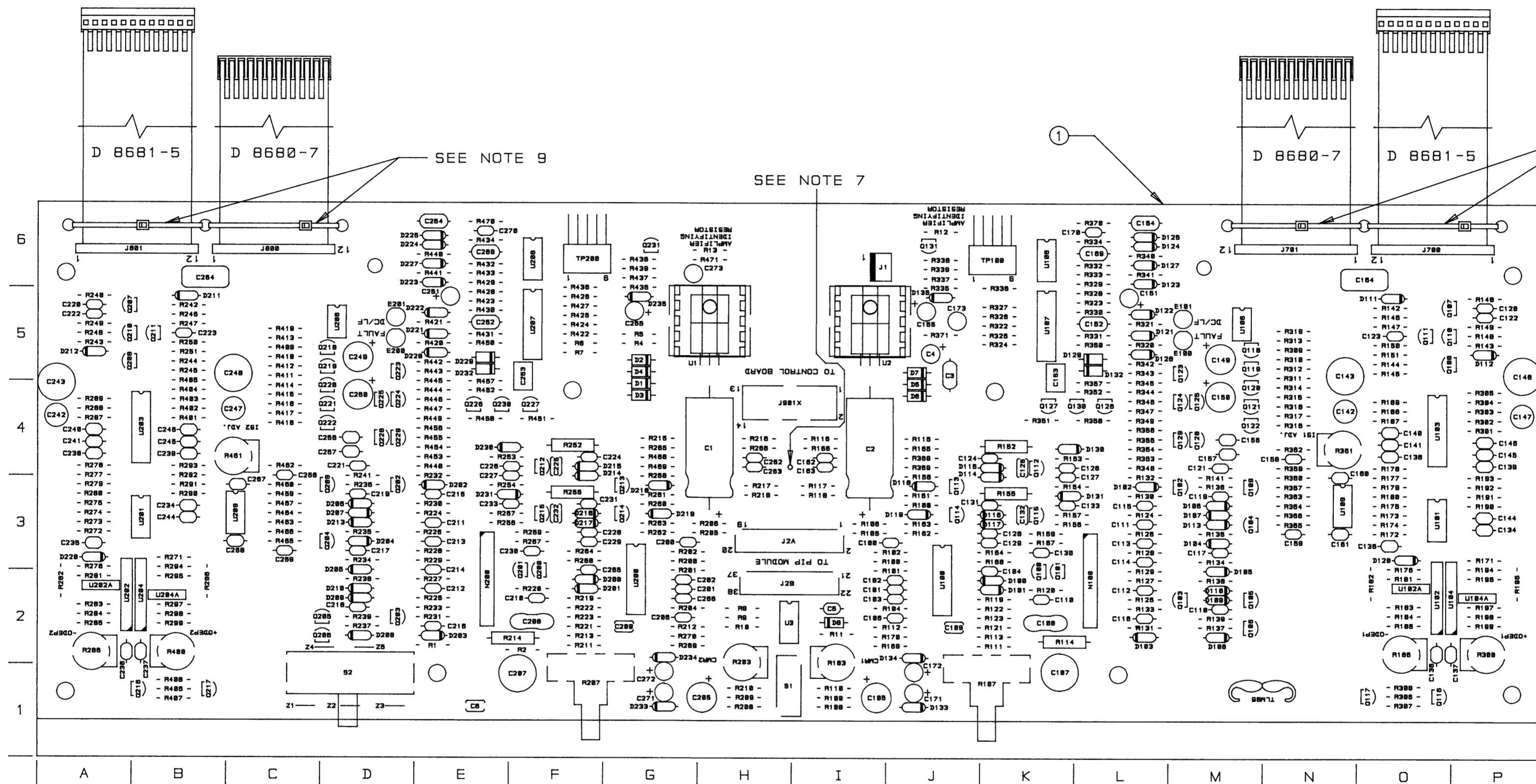
CROWN INTERNATIONAL INC.

1718 WEST MISHAWAKA ROAD ELKHART, INDIANA 46517 PHONE (219) 294-8000

THESE DRAWINGS AND SPECIFICATIONS ARE THE PROPERTY OF CROWN INTERNATIONAL INC. AND SHALL NOT BE REPRODUCED, COPIED, OR USED AS THE BASIS FOR THE MANUFACTURE OR SALE OF APPARATUS OR DEVICES WITHOUT PERMISSION.

| | | | | | |
|-------|------|----------|----------|----------|-----|
| DRAWN | TLM | 02-24-97 | DWG. NO. | SHEET 22 | REV |
| PROJ. | D360 | | 100298 | CONT. ON | (B) |
| | | | | SHEET 23 | |

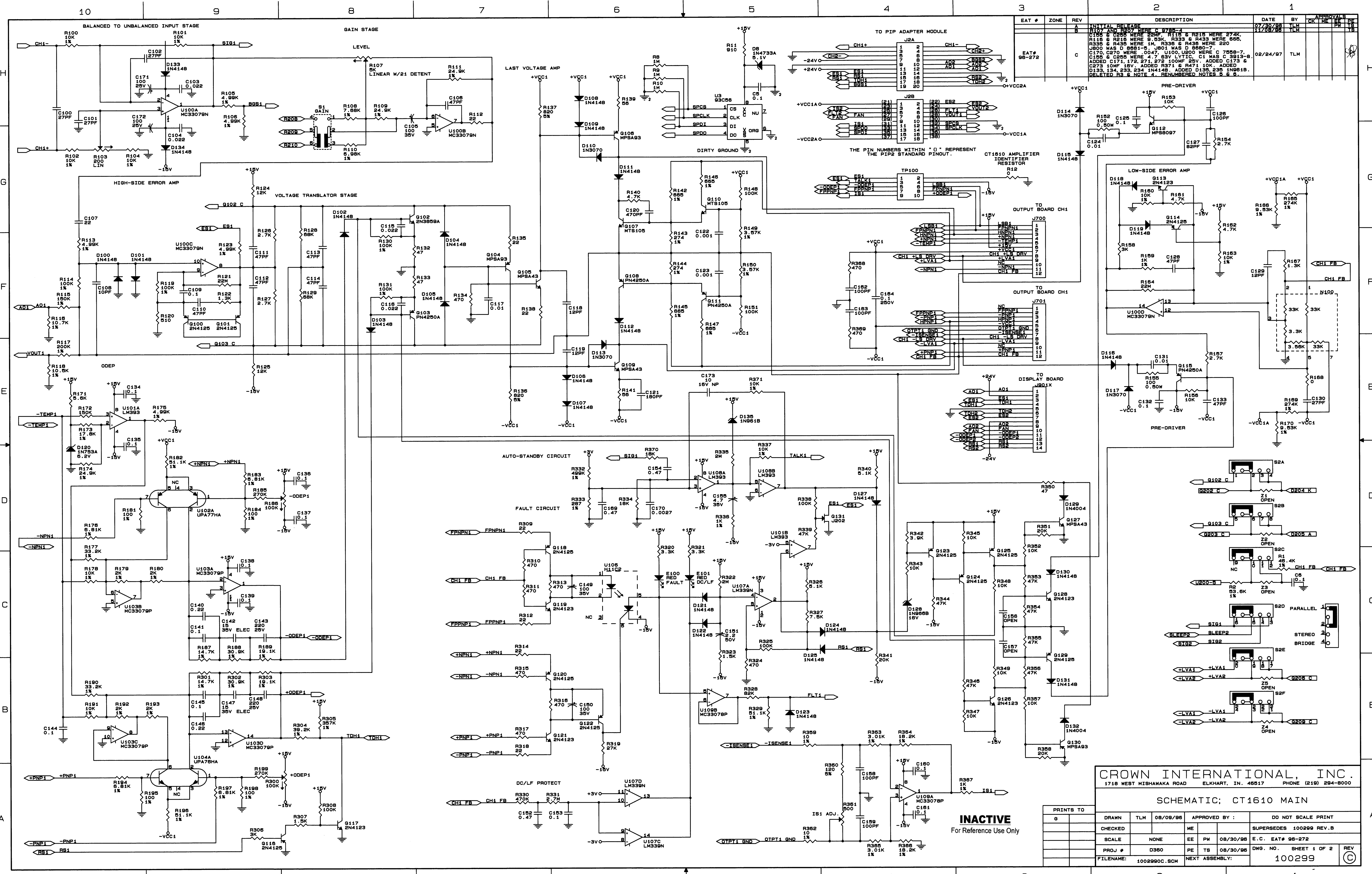
COMPONENT MAP
(COMPONENT SIDE VIEW)



INACTIVE
For Reference Use Only

| | | | |
|--------------------------|--------------|------------------------|--------|
| CROWN INTERNATIONAL INC. | | | |
| 1718 WEST MISHAWAKA ROAD | | ELKHART, INDIANA 46517 | |
| PHONE (219) 294-8000 | | | |
| DRAWN | TLM 02-24-97 | DWG. NO. | 100298 |
| PROJ. | D360 | SHEET 24 | REV |
| | | CONT. ON | (E) |
| | | SHEET - | |

THESE DRAWINGS AND SPECIFICATIONS ARE THE PROPERTY OF CROWN INTERNATIONAL, INC. AND SHALL NOT BE REPRODUCED, COPIED, OR USED AS THE BASIS FOR THE MANUFACTURE OR SALE OF APPARATUS OR DEVICES WITHOUT PERMISSION.

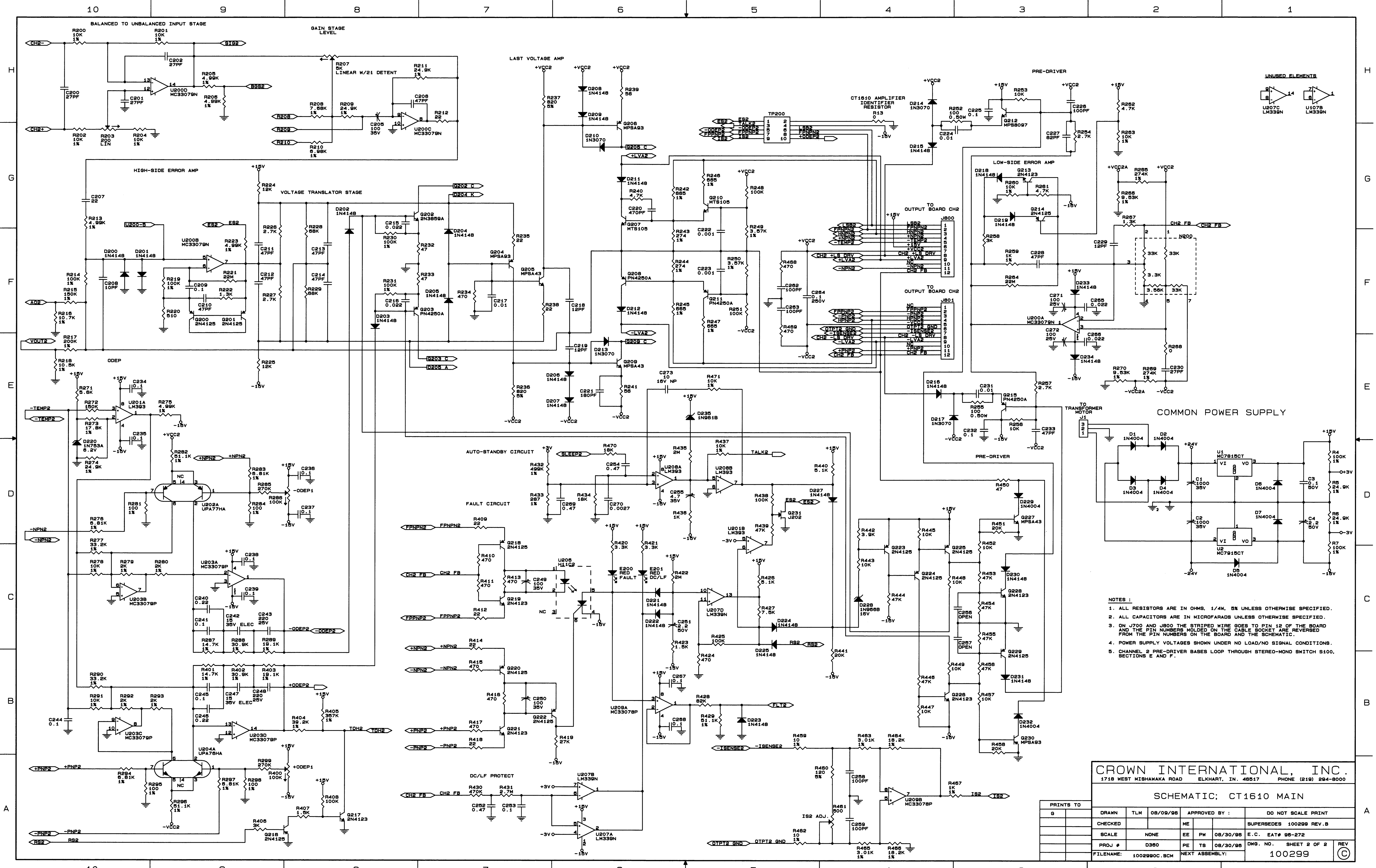


| EAT # | ZONE | REV | DESCRIPTION | DATE | BY | CHK | APP | REV | |
|--------|------|-----|---|----------|-----|-----|-----|-----|--|
| 96-272 | C | 1 | INITIAL RELEASE D117 AND R307 WERE C 9781-4 C105 & C205 WERE 200P, R116 & R216 WERE 274K, R116 & R216 WERE 83K, R333 & R433 WERE 68K, R336 & R436 WERE 1M, R336 & R436 WERE 250 J800 WAS D 8881-8, J801 WAS D 8880-7, C170, C270 WERE .0047, U100, U200 WERE C 7558-7, C105 & C205 WERE 4.7 63V LYTIC, C1 WAS C 3913-8, ADDED C171, 47K 27V 100HF 25V, ADDED C173 & C273 100K 16V, ADDED R371 & R471 10K, ADDED D133, 134, 233, 234 1N4148, ADDED D135, 235 1N851B, DELETED R3 & NOTE 4, RENUMBERED NOTES 5 & 6. | 02/24/97 | TLM | | | | |

CROWN INTERNATIONAL, INC.
1718 WEST MISHAMAKA ROAD ELKHART, IN. 46517 PHONE (219) 294-8000

SHEMATIC; CT1610 MAIN

| | |
|----------------|--------------------------|
| PRINTS TO | g |
| DRAWN | TLM |
| CHECKED | ME |
| SCALE | NONE |
| PROJ # | D380 |
| FILENAME: | 10029900.SCM |
| APPROVED BY : | DO NOT SCALE PRINT |
| ME | SUPERSEDES 100299 REV. B |
| EE PM | E.C. EAT# 98-272 |
| PE TS | DWG. NO. SHEET 1 OF 2 |
| NEXT ASSEMBLY: | 100299 |



- NOTES:
1. ALL RESISTORS ARE IN OHMS, 1/4W, 5% UNLESS OTHERWISE SPECIFIED.
 2. ALL CAPACITORS ARE IN MICROFARADS UNLESS OTHERWISE SPECIFIED.
 3. ON J700 AND J800 THE STRIPED WIRE GOES TO PIN 12 OF THE BOARD AND THE PIN NUMBERS MOLDED ON THE CABLE SOCKET ARE REVERSED FROM THE PIN NUMBERS ON THE BOARD AND THE SCHEMATIC.
 4. POWER SUPPLY VOLTAGES SHOWN UNDER NO LOAD/NO SIGNAL CONDITIONS.
 5. CHANNEL 2 PRE-DRIVER BASES LOOP THROUGH STEREO-MONO SWITCH S100, SECTIONS E AND F.

CROWN INTERNATIONAL, INC.
 1718 WEST MISHAWAKA ROAD ELKHART, IN. 46517 PHONE (219) 294-9000

SCHEMATIC: CT1610 MAIN

| | | | | | |
|-----------|-----------|--------------|----------------|---------------|--------------------------|
| PRINTS TO | DRAWN | TLM | 08/09/98 | APPROVED BY : | DO NOT SCALE PRINT |
| G | CHECKED | ME | | | SUPERSEDES 100299 REV. B |
| | SCALE | NONE | EE PW | 08/30/98 | E.C. EAT# 98-272 |
| | PROJ # | D360 | PE TS | 08/30/98 | DWG. NO. SHEET 2 OF 2 |
| | FILENAME: | 100299OC.SCH | NEXT ASSEMBLY: | | 100299 |


**CT1610A Main Module 125413 Information On Following Pages
Documentation, Component Map, Schematic**

| E.C.N. | ZONE | REV. | DESCRIPTION | DATE | BY | APPROVALS | | | |
|---------|------|------|---|----------|-----|-----------|----|----|----|
| | | | | | | CHK | ME | EE | PE |
| | | A | INITIAL RELEASE 125413-1. | 11-07-97 | KLW | TLM | | | EB |
| | | B | NOTE 2 WAS 125414-1. NOTE 3 WAS 125413-1 ADDED C175,C176,C275 AND C276. C122,C123,C222 AND C223 WERE 0.001UF. | 12-16-97 | JAW | KW | | | EB |
| EAD3922 | | C | REMOVED NOTE 9. RE-NUMBERED NOTES. | 01-12-98 | JAW | KW | | | EB |
| | | D | CORRECTED CPN FOR C241 & C245 ON SH. 9. | 01-26-98 | JAW | KW | | | EB |
| | | E | CORRECTED CPN FOR C240 & C246 ON SH. 9. | 02-02-98 | JAW | KW | | | EB |
| 9BE0129 | | F | R107 AND R207 WERE P/N 101051-1. | 03-04-98 | KLW | AM | | | EB |

UNLESS OTHERWISE SPECIFIED, THE FINISHED PWA SHALL MEET:
IPC-A-610_ CLASS 2

NOTES:

1. SCHEMATIC DRAWING NUMBER 125409.
2. PRINTED WIRING BOARD PART NUMBER 125414-3.
3. PRINTED WIRING ASSEMBLY PART NUMBER 125413-2.
4. ALL LEADS SHALL BE TRIMMED TO 0.093" OR LESS.
5. POSITION COMPONENTS AS SHOWN ON COMPONENT MAP.
6. INSERT 8 PIN IC SOCKET (C 3451-9) AT REFERENCE DESIGNATION LOCATION U3.
7. REMOVE SOLDER OR PREVENT SOLDER FROM ACCUMULATING IN HOLES INDICATED ON THE COMPONENT MAP.
8. INSTALL HEATSINK (C 9494-3) AT REFERENCE DESIGNATION LOCATIONS U1 AND U2.
9. INSTALL CABLE TIE (C 8812-7) AT REFERENCE DESIGNATION LOCATIONS J700, J701, J800 AND J801.
USE A 0.25" DIAMETER ROD AS A GAUGE TO CHECK THE TIGHTNESS OF THE CABLES.
ON THE COMPONENT SIDE PRESS THE CABLE AGAINST THE BOARD, THE GAUGE SHOULD NOT FIT UNDER THE CABLE TIE.
10. THE CROWN PART NUMBER FOR THIS MODULE SHALL BE MARKED ON THE P.C. BOARD AND SHALL BE PERMANENT.



CAUTION

STATIC CAN DAMAGE COMPONENTS!

DO NOT HANDLE

UNLESS WRIST STRAP IS WORN

THESE DRAWINGS AND SPECIFICATIONS ARE THE PROPERTY OF CROWN INTERNATIONAL, INC. AND SHALL NOT BE REPRODUCED, COPIED, OR USED AS THE BASIS FOR THE MANUFACTURE OR SALE OF APPARATUS OR DEVICES WITHOUT PERMISSION.

| | | | | | | | | | |
|---------------------------------|--|---|---------|----------|--------------|--|----------|------------------------|-----|
| CROWN INTERNATIONAL INC. | | | | | | | | | |
| PRINTS TO | | 1718 WEST MISHAWAKA ROAD ELKHART, INDIANA 46517 | | | | PHONE (219) 294-8000 | | | |
| K | | PWA; CT1610A MAIN | | | | TOL. UNLESS SPECIFIED X.XX - ± 0.020 X.XXX - ± 0.010 DRILLS - ± 0.003 | | | |
| | | DRAWN | KLW | 11-07-97 | APPROVED BY: | DO NOT SCALE PRINT | | | |
| | | CHECKED | TLM | 11-11-97 | ME | SUPERSEDES | | | |
| | | SCALE | NONE | | EE | E.C.N. | | | |
| | | PROJ # | MD360D0 | | PE | EB | 11-11-97 | DWG. NO. SHEET 1 OF 22 | REV |
| | | NEXT ASSEMBLY | | | | 125413 | | | (F) |

INACTIVE
For Reference Use Only

| PARTS LIST | | | |
|--------------|---------------------------|-----|---|
| C. P. N. | DESCRIPTION | QTY | REFERENCE DESIGNATION |
| A10124-24 | WIRE, #24 SOLID BUS | 8" | R12, R13, R168, R268 |
| A10265-10001 | 100. OHM .25W 1 MF T/R | 9 | R181, R184, R195, R198, R281, R284, R295, R298, R332 |
| A10265-10011 | 1.0 KOHM .25W 1 MF T/R | 5 | R159, R25, R259, R367, R467 |
| A10265-10021 | 10. KOHM .25W 1 MF T/R | 16 | R100, R101, R102, R104, R160, R163, R178, R191, R200, R201, R202, R204, R260, R263, R278, R291 |
| A10265-10031 | 100. KOHM .25W 1 MF T/R | 10 | R114, R119, R130, R131, R214, R219, R230, R231, R4, R7 |
| A10265-10211 | 1.02K OHM 0.25W 1% MF T/R | 4 | R363, R365, R463, R465 |
| A10265-10521 | 10.5KOHM .25W 1% MF T/R | 2 | R118, R218 |
| A10265-10721 | 10.7KOHM .25W 1% MF T/R | 2 | R116, R216 |
| A10265-10R01 | 10.0 OHM .25W 1 MF T/R | 6 | R359, R362, R367, R459, R462, R467 |
| A10265-14721 | 14.7K OHM 0.25W 1% MF T/R | 4 | R187, R287, R301, R401 |
| A10265-15031 | 150 KOHM .25 1% MF T/R | 2 | R115, R215 |
| A10265-17821 | 17.8KOHM .25W 1% MF T/R | 2 | R173, R273 |
| A10265-18221 | 18.2K OHM .25W 1% MF T/R | 4 | R364, R366, R464, R466 |
| A10265-19121 | 19.1K OHM 0.25W 1% MF T/R | 4 | R189, R289, R303, R403 |
| A10265-20011 | 2.0 KOHM .25W 1% MF T/R | 8 | R179, R180, R192, R193, R279, R280, R292, R293 |
| A10265-20031 | 200. KOHM .25W 1 MF T/R | 2 | R117, R217 |
| A10265-24921 | 24.9 KOHM .25W 1% MF T/R | 8 | R109, R111, R174, R209, R211, R274, R5, R6 |
| A10265-27401 | 274. OHM .25W 1% MF T/R | 4 | R143, R144, R243, R244 |
| A10265-27431 | 274. KOHM .25W 1% MF T/R | 4 | R165, R169, R265, R269 |
| A10265-30921 | 30.9K OHM 0.25W 1% MF T/R | 4 | R188, R288, R302, R402 |
| A10265-33221 | 33.2KOHM .25W 1% MF T/R | 4 | R177, R190, R277, R290 |
| A10265-35711 | 3.57KOHM .25W 1 MF T/R | 4 | R149, R150, R249, R250 |
| A10265-35731 | 357. KOHM .25W 1 MF T/R | 2 | R305, R405 |
| A10265-39221 | 39.2KOHM .25W 1% MF T/R | 2 | R304, R404 |
| A10265-46421 | 46.4 KOHM .25W 1% MF T/R | 1 | R1 |
| A10265-49911 | 4.99KOHM .25W 1 MF T/R | 10 | R105, R106, R113, R123, R175, R205, R206, R213, R223, R275, |
| A10265-51121 | 51.1 KOHM .25W 1% MF T/R | 6 | R182, R196, R282, R296, R329, R429 |
| A10265-53621 | 53.6 KOHM .25W 1% MF T/R | 1 | R2 |
| A10265-66501 | 665 OHM 0.25W 1% MF T/R | 8 | R142, R145, R146, R147, R242, R245, R246, R247 |
| A10265-68111 | 6.81KOHM .25W 1% MF T/R | 8 | R176, R183, R194, R197, R276, R283, R294, R297 |
| A10265-69811 | 6.98 KOHM .25W 1% MF T/R | 2 | R110, R210 |
| A10265-76811 | 7.68K OHM 0.25W 1% MF T/R | 2 | R108, R208 |
| A10265-95311 | 9.53KOHM .25W 1% MF T/R | 4 | R166, R170, R266, R270 |
| A10266-1031 | 10. KOHM .25W 5% CF T/R | 19 | R153, R156, R24, R253, R256, R343, R345, R347, R348, R349, R352, R357, R443, R445, R447, R448, R449, R452, R457 |

INACTIVE

For Reference Use Only

| | | | |
|---------------------------------|---------|------------------------|----------------------|
| CROWN INTERNATIONAL INC. | | | |
| 1718 WEST MISHAWAKA ROAD | | ELKHART, INDIANA 46517 | PHONE (219) 294-8000 |
| DRAWN | KLW | 11-07-97 | DWG. NO. |
| PROJ. | MD360D0 | 125413 | |
| | | | SHEET 2 OF 22 |
| | | | REV (F) |

THESE DRAWINGS AND SPECIFICATIONS ARE THE PROPERTY OF CROWN INTERNATIONAL, INC. AND SHALL NOT BE REPRODUCED, COPIED, OR USED AS THE BASIS FOR THE MANUFACTURE OR SALE OF APPARATUS OR DEVICES WITHOUT PERMISSION.

| PARTS LIST | | | |
|--------------|------------------------------|-----|--|
| C.P.N. | DESCRIPTION | QTY | REFERENCE DESIGNATION |
| A10266-1041 | 100. KOHM .25W 5% CF25 T/R | 12 | R148, R151, R20, R21, R248, R251, R308, R325, R338, R408, R425, R438 |
| A10266-1051 | 1.0 MOHM .25W 5 CF T/R | 5 | R10, R17, R22, R8, R9 |
| A10266-1211 | 120. OHM .25W 5 CF T/R | 2 | R360, R460 |
| A10266-1231 | 12. KOHM .25W 5% CF T/R | 4 | R124, R125, R224, R225 |
| A10266-1321 | 1.3 KOHM .25W 5 CF T/R | 4 | R122, R167, R222, R267 |
| A10266-1521 | 1.5 KOHM .25W 5% CF T/R | 4 | R307, R323, R407, R423 |
| A10266-1531 | 15. KOHM .25W 5% CF T/R | 2 | R341, R441 |
| A10266-1541 | 150. KOHM .25W 5% CF T/R | 2 | R172, R272 |
| A10266-2031 | 20. KOHM .25W 5 CF T/R | 4 | R351, R358, R451, R458 |
| A10266-2051 | 2.0 MOHM .25W 5 CF T/R | 3 | R23, R322, R422 |
| A10266-2201 | 22.0 OHM .25W 5 CF T/R | 6 | R112, R135, R138, R212, R235, R238 |
| A10266-2421 | 2.4 KOHM .25W 5 CF T/R | 2 | R18, R19 |
| A10266-2721 | 2.7 KOHM .25W 5 CF T/R | 8 | R126, R127, R154, R157, R226, R227, R254, R257 |
| A10266-2731 | 27. KOHM .25W 5 CF T/R | 2 | R319, R419 |
| A10266-2741 | 270. KOHM .25W 5% CF25 T/R | 4 | R185, R199, R285, R299 |
| A10266-2751 | 2.7 MOHM .25W 5% CF T/R | 2 | R331, R431 |
| A10266-3021 | 3.0 KOHM .25W 5 CF T/R | 4 | R158, R258, R306, R406 |
| A10266-3321 | 3.3 KOHM .25W 5% CF T/R | 4 | R320, R321, R420, R421 |
| A10266-3921 | 3.9 KOHM .25W 5% CF T/R | 4 | R14, R15, R342, R442 |
| A10266-4701 | 47.0 OHM .25W 5 CF T/R | 6 | R132, R133, R232, R233, R350, R450 |
| A10266-4711 | 470. OHM .25W 5% CF T/R | 20 | R134, R234, R310, R311, R313, R315, R316, R317, R324, R368, R369, R410, R411, R413, R415, R416, R417, R424, R468, R469, |
| A10266-4721 | 4.7 KOHM .25W 5% CF T/R | 6 | R140, R161, R162, R240, R261, R262 |
| A10266-4731 | 47. KOHM .25W 5% CF25 T/R | 14 | R339, R344, R346, R353, R354, R355, R356, R439, R444, R446, R453, R454, R455, R456 |
| A10266-4741 | 470. KOHM .25W 5% CF T/R | 2 | R330, R430 |
| A10266-5111 | 510. OHM .25W 5 CF T/R | 2 | R120, R220 |
| A10266-5121 | 5.1 KOHM .25W 5 CF T/R | 4 | R326, R340, R426, R440 |
| A10266-5601 | 56.0 OHM .25W 5% CF T/R | 4 | R139, R141, R239, R241 |
| A10266-5621 | 5.6 KOHM .25W 5% CF T/R | 2 | R171, R271 |
| A10266-5641 | 560. KOHM .25W 5% CF T/R | 1 | R16 |
| A10266-6831 | 68. KOHM .25W 5% CF T/R | 4 | R128, R129, R228, R229 |
| A10266-7521 | 7.5 KOHM .25W 5% CF T/R | 2 | R327, R427 |
| A10266-8211 | 820. OHM .25W 5% CF T/R | 4 | R136, R137, R236, R237 |
| A10266-8231 | 82. KOHM .25W 5% CF T/R | 2 | R328, R428 |
| A10266-9111 | 910. OHM .25W 5 CF T/R | 1 | R11 |
| A10434-104JD | .1UF 250V 5% MTL POLY FILM T | 2 | C164, C264 |
| A10579-222KC | 2200PF 100 10% POLY FILM T/A | 4 | C175, C176, C275, C276 |
| | | | |
| | | | |

INACTIVE

For Reference Use Only

| | | | |
|---------------------------------|---------|------------------------|----------------------|
| CROWN INTERNATIONAL INC. | | | |
| 1718 WEST MISHAWAKA ROAD | | ELKHART, INDIANA 46517 | PHONE (219) 294-8800 |
| DRAWN | KLW | 11-07-97 | DWG. NO. |
| PROJ. | MD360D0 | 125413 | |
| | | | REV SHEET 3 OF 22 |
| | | | (F) |

THESE DRAWINGS AND SPECIFICATIONS ARE THE PROPERTY OF CROWN INTERNATIONAL, INC. AND SHALL NOT BE REPRODUCED, COPIED, OR USED AS THE BASIS FOR THE MANUFACTURE OR SALE OF APPARATUS OR DEVICES WITHOUT PERMISSION.

| PARTS LIST | | | |
|------------|------------------------------|-----|---|
| C. P. N. | DESCRIPTION | QTY | REFERENCE DESIGNATION |
| C 2851-1 | RECTIFIER, 1N4004 SILICON T/ | 11 | D1, D129, D132, D2, D229, D232, D3, D4, D5, D6, D7 |
| C 3181-2 | DIODE, 1N4148 T/R | 59 | D10, D100, D101, D102, D103, D104, D105, D106, D107, D108, D109, D11, D111, D112, D115, D116, D118, D119, D12, D121, D122, D123, D124, D125, D127, D13, D130, D131, D133, D134, D135 D200, D201, D202, D203, D204, D205, D206, D207, D208, D209, D211, D212, D215, D216, D218, D219, D221, D222, D223, D224, D225, D227, D230, D231, D233, D234, D235, D9 |
| C 3451-9 | IC SOCKET, 8PIN DIP 2-640463 | 1 | U3X |
| C 3533-4 | DIODE, 1N966B 16V ZENER T/R | 2 | D128, D228 |
| C 3578-9 | MPSA93 200V PNP T/R | 6 | Q104, Q106, Q130, Q204, Q206, Q230 |
| C 3625-8 | 2N4125 30V PNP T/R | 22 | Q100, Q101, Q114, Q116, Q118, Q120, Q122, Q123, Q124, Q125, Q129, Q200, Q201, Q214, Q216, Q218, Q220, Q222, Q223, Q224, Q225, Q229 |
| C 3786-8 | MPS4250A 40V PNP T/R | 8 | Q103, Q108, Q111, Q115, Q203, Q208, Q211, Q215 |
| C 3810-6 | MPSA42 300V NPN T/R | 6 | Q105, Q109, Q127, Q205, Q209, Q227 |
| C 4303-1 | 1000UF 35V AXIAL CAP | 2 | C1, C2 |
| C 4345-2 | LM339N VOLT COMPARATOR | 2 | U107, U207 |
| C 5061-4 | DIODE, 1N3070 10K/T&R | 8 | D110, D113, D114, D117, D210, D213, D214, D217 |
| C 5062-2 | 100KOHM LINEAR TRIMPOT | 4 | R186, R286, R300, R400 |
| C 5082-0 | DIODE, 1N4733A 5.1V ZENER T | 1 | DB |
| C 5095-2 | MC7815CT +15V. REG | 1 | U1 |
| C 5096-0 | MC7915CT -15V. REG | 1 | U2 |
| C 5215-6 | 22. MOHM .25W 5 THICK FILM T | 4 | R121, R164, R221, R264 |
| C 5311-3 | 22UF 50V 20% NP VERT T/A | 2 | C107, C207 |
| C 5362-6 | 2.2UF 50V VERT ELECT T/A | 3 | C151, C251, C4 |
| C 6048-0 | 500 OHM PIHER TRIM | 2 | R361, R461 |
| C 6411-0 | H11C2 OPTO SCR | 2 | U106, U206 |
| C 6564-6 | 10P DBLROW UNSHRD HDR 87230- | 2 | TP100, TP200 |
| C 6781-6 | 6P3T MONO/STEREO SWITCH | 1 | S2 |
| C 6802-0 | .47UF 50V AXIAL CER T/R 474 | 2 | C152, C252 |
| C 6804-6 | .1UF 50V AXIAL CER T/R 104 | 24 | C134, C135, C136, C137, C138, C139, C141, C144, C145, C160, C161, C234, C235, C236, C237, C238, C239, C241, C244, C245, C267, C268, C3, C5 |

INACTIVE

For Reference Use Only

| | | | |
|---------------------------------|---------|------------------------|----------------------|
| CROWN INTERNATIONAL INC. | | | |
| 1718 WEST MISHAWAKA ROAD | | ELKHART, INDIANA 46517 | PHONE (219) 294-8000 |
| DRAWN | KLW | 11-07-97 | DWG. NO. |
| PROJ. | MD360D0 | SHEET 4 OF 22 | |
| | | 125413 | |
| | | | REV Ⓣ |

THESE DRAWINGS AND SPECIFICATIONS ARE THE PROPERTY OF CROWN INTERNATIONAL, INC. AND SHALL NOT BE REPRODUCED, COPIED, OR USED AS THE BASIS FOR THE MANUFACTURE OR SALE OF APPARATUS OR DEVICES WITHOUT PERMISSION.

| PARTS LIST | | | |
|------------|-------------------------------|-----|--|
| C. P. N. | DESCRIPTION | QTY | REFERENCE DESIGNATION |
| C 6805-3 | .022UF 100V AXIALCER T/R 223 | 8 | C103, C104, C115, C116, C215, C216, C265, C266 |
| C 6806-1 | .01UF 100V AXIAL CER T/R 103 | 6 | C117, C124, C131, C217, C224, C231 |
| C 6808-7 | 470. PF 100V 5% NPO AXL CER T | 2 | C120, C220 |
| C 6810-3 | 180PF 100V AXIAL CER T/R 181 | 2 | C121, C221 |
| C 6811-1 | 100PF 200V 10% NPO AXL CER T | 14 | C126, C158, C159, C162, C163, C173, C174, C226, C258, C259, C262, C263, C273, C274 |
| C 6812-9 | 47PF 200V 10% NPO AXL CER | 16 | C106, C110, C111, C112, C113, C114, C128, C133, C206, C210, C211, C212, C213, C214, C228, C233 |
| C 6813-7 | 27PF 200V 10% NPO AXIAL CER | 8 | C100, C101, C102, C130, C200, C201, C202, C230 |
| C 6814-5 | 12PF 200V AXIAL CER T/R 120 | 6 | C118, C119, C129, C218, C219, C229 |
| C 6950-7 | 82PF 200V 5% NPO AXIAL CER T | 2 | C127, C227 |
| C 7417-6 | 3300PF 100V 10% CAP | 4 | C122, C123, C222, C223 |
| C 7444-0 | LM393 DUAL COMPARATOR | 2 | U101, U201 |
| C 7458-0 | 2N4123 30V NPN T/R | 16 | Q107, Q110, Q113, Q117, Q119, Q121, Q126, Q128, Q207, Q210, Q213, Q217, Q219, Q221, Q226, Q228 |
| C 7526-4 | 3POS .1 CENTER MTA HEADER | 1 | J1 |
| C 7597-5 | J202 N-CHANNEL JFET | 2 | Q131, Q231 |
| C 7636-1 | MC33078P DUAL LOW NOISE OP A | 3 | U109, U209, U4 |
| C 7779-9 | 22. OHM .25W 5% FU/FP T/R | 8 | R309, R312, R314, R318, R409, R412, R414, R418 |
| C 7960-5 | DPDT 3POS PC SLIDE SWITCH | 1 | S1 |
| C 7964-7 | .22UF 100V AXIAL CER CAP T/R | 4 | C140, C146, C240, C246 |
| C 8182-5 | 1N753A 6.2V .5W ZENER DIODE | 2 | D120, D220 |
| C 8576-8 | 100UF 35V 10% ALUM ELECT T/A | 6 | C105, C149, C150, C205, C249, C250 |
| C 8803-6 | .047UF 50V 10%X7R AXL CER T/ | 4 | C141, C145, C241, C245 |
| C 8812-7 | 5.5" CABLE TIE | 4 | HW10, HW7, HW8, HW9 |
| C 8836-6 | 100 OHM 0.50W 5% FU/FP T/R | 4 | R152, R155, R252, R255 |
| C 8897-8 | .1UF 100V 20% Z5U RAD CER T/ | 11 | C10, C109, C125, C132, C153, C209, C225, C232, C253, C6, C9 |
| C 9079-2 | 200.OHM TOP ADJ CERMET TRIMM | 2 | R103, R203 |
| C 9464-6 | 10PF 100V 5% NPO RAD CER T/R | 2 | C108, C208 |
| C 9494-3 | HEATSINK, T0220 PLUG IN | 2 | U1X, U2X |
| C 9615-3 | 680PF 100V 5% AXL CER NPO T/ | 1 | C8 |
| C 9857-1 | LED, RED T1 .1 LEAD SPACE T/ | 4 | E100, E101, E200, E201 |
| C10208-4 | 100.UF 25V 20% RAD ELECT T/R | 5 | C171, C172, C271, C272, C7, |

INACTIVE

For Reference Use Only

CROWN INTERNATIONAL INC.

1718 WEST MISHAWAKA ROAD ELKHART, INDIANA 46517 PHONE (219) 294-8000

| | | | | | |
|-------|---------|----------|----------|---------------|-----|
| DRAWN | KLW | 11-07-97 | DWG. NO. | SHEET 5 OF 22 | REV |
| PROJ. | MD360D0 | | 125413 | | (F) |

THESE DRAWINGS AND SPECIFICATIONS ARE THE PROPERTY OF CROWN INTERNATIONAL, INC. AND SHALL NOT BE REPRODUCED, COPIED, OR USED AS THE BASIS FOR THE MANUFACTURE OR SALE OF APPARATUS OR DEVICES WITHOUT PERMISSION.

| PARTS LIST | | | |
|------------|----------|--------------------------------|----------|
| REF DES | C.P.N. | DESCRIPTION | MAP LOC. |
| 1 | 125414-3 | PWB, CT'10A MAIN, . . . | |
| C1 | C 4303-1 | 1000UF 35V AXIAL CAP | H 4 |
| C2 | C 4303-1 | 1000UF 35V AXIAL CAP | I 4 |
| C3 | C 6804-6 | .1UF 50V AXIAL CER T/R 104 | J 5 |
| C4 | C 5362-6 | 2.2UF 50V VERT ELECT T/A | J 5 |
| C5 | C 6804-6 | .1UF 50V AXIAL CER T/R 104 | I 2 |
| C6 | C 8897-8 | .1UF 100V 20% Z5U RAD CER T/R | E 1 |
| C7 | C10208-4 | 100.UF 25V 20% RAD ELECT T/R | G 5 |
| C8 | C 9615-3 | 680PF 100V 5% AXL CER NPO T/R | E 6 |
| C9 | C 8897-8 | .1UF 100V 20% Z5U RAD CER T/R | I 6 |
| C10 | C 8897-8 | .1UF 100V 20% Z5U RAD CER T/R | H 5 |
| C100 | C 6813-7 | 27PF 200V 10% NPO AXIAL CER | J 3 |
| C101 | C 6813-7 | 27PF 200V 10% NPO AXIAL CER | J 2 |
| C102 | C 6813-7 | 27PF 200V 10% NPO AXIAL CER | J 2 |
| C103 | C 6805-3 | .022UF 100V AXIALCER T/R 223 | J 2 |
| C104 | C 6805-3 | .022UF 100V AXIALCER T/R 223 | K 3 |
| C105 | C 8576-8 | 100UF 35V 10% ALUM ELECT T/A | I 1 |
| C106 | C 6812-9 | 47PF 200V 10% NPO AXL CER | J 2 |
| C107 | C 5311-3 | 22UF 50V 20% NP VERT T/A | K 1 |
| C108 | C 9464-6 | 10PF 100V 5% NPO RAD CER T/R | K 2 |
| C109 | C 8897-8 | .1UF 100V 20% Z5U RAD CER T/R | J 2 |
| C110 | C 6812-9 | 47PF 200V 10% NPO AXL CER | K 2 |
| C111 | C 6812-9 | 47PF 200V 10% NPO AXL CER | L 3 |
| C112 | C 6812-9 | 47PF 200V 10% NPO AXL CER | L 2 |
| C113 | C 6812-9 | 47PF 200V 10% NPO AXL CER | L 3 |
| C114 | C 6812-9 | 47PF 200V 10% NPO AXL CER | L 3 |
| C115 | C 6805-3 | .022UF 100V AXIALCER T/R 223 | L 3 |
| C116 | C 6805-3 | .022UF 100V AXIALCER T/R 223 | L 2 |
| C117 | C 6806-1 | .01UF 100V AXIAL CER T/R 103 | M 3 |
| C118 | C 6814-5 | 12PF 200V AXIAL CER T/R 120 | M 2 |
| C119 | C 6814-5 | 12PF 200V AXIAL CER T/R 120 | M 3 |
| C120 | C 6808-7 | 470.PF 100V 5% NPO AXL CER T/R | P 5 |
| C121 | C 6810-3 | 180PF 100V AXIAL CER T/R 181 | M 4 |
| C122 | C 7417-6 | 3300PF 100V 10% CAP | P 5 |
| C123 | C 7417-6 | 3300PF 100V 10% CAP | O 5 |
| C124 | C 6806-1 | .01UF 100V AXIAL CER T/R 103 | K 4 |
| C125 | C 8897-8 | .1UF 100V 20% Z5U RAD CER T/R | K 4 |
| C126 | C 6811-1 | 100PF 200V 10% NPO AXL CER T/R | K 4 |
| C127 | C 6950-7 | 82PF 200V 5% NPO AXIAL CER T/R | K 4 |
| C128 | C 6812-9 | 47PF 200V 10% NPO AXL CER | K 3 |
| C129 | C 6814-5 | 12PF 200V AXIAL CER T/R 120 | K 3 |
| C130 | C 6813-7 | 27PF 200V 10% NPO AXL CER | K 3 |
| C131 | C 6806-1 | .01UF 100V AXIAL CER T/R 103 | K 3 |
| C132 | C 8897-8 | .1UF 100V 20% Z5U RAD CER T/R | K 3 |
| C133 | C 6812-9 | 47PF 200V 10% NPO AXL CER | K 3 |
| C134 | C 6804-6 | .1UF 50V AXIAL CER T/R 104 | P 3 |
| C135 | C 6804-6 | .1UF 50V AXIAL CER T/R 104 | O 3 |
| | | | |
| | | | |
| | | | |

INACTIVE

For Reference Use Only

| | | | |
|---------------------------------|---------|------------------------|----------------------|
| CROWN INTERNATIONAL INC. | | | |
| 1718 WEST MISHAWAKA ROAD | | ELKHART, INDIANA 46517 | PHONE (219) 294-8000 |
| DRAWN | KLW | 11-07-97 | DWG. NO. |
| PROJ. | MD360D0 | 125413 | |
| | | | SHEET 7 OF 22 |
| | | | REV (F) |

THESE DRAWINGS AND SPECIFICATIONS ARE THE PROPERTY OF CROWN INTERNATIONAL, INC. AND SHALL NOT BE REPRODUCED, COPIED, OR USED AS THE BASIS FOR THE MANUFACTURE OR SALE OF APPARATUS OR DEVICES WITHOUT PERMISSION.

| PARTS LIST | | | |
|------------|--------------|--------------------------------|----------|
| REF DES | C. P. N. | DESCRIPTION | MAP LOC. |
| C136 | C 6804-6 | .1UF 50V AXIAL CER T/R 104 | O 2 |
| C137 | C 6804-6 | .1UF 50V AXIAL CER T/R 104 | P 2 |
| C138 | C 6804-6 | .1UF 50V AXIAL CER T/R 104 | O 4 |
| C139 | C 6804-6 | .1UF 50V AXIAL CER T/R 104 | P 4 |
| C140 | C 7964-7 | .22UF 100V AXIAL CER CAP T/R | O 4 |
| C141 | C 6804-6 | .1 UF 50V AXIAL CER T/R 104 | O 4 |
| C142 | C10588-9 | 15UF 35V 20% NP RAD ELECT T/R | N 4 |
| C143 | C10587-1 | 220UF 25V 20% NP RAD ELECT T/R | N 5 |
| C144 | C 6804-6 | .1UF 50V AXIAL CER T/R 104 | P 3 |
| C145 | C 6804-6 | .1 UF 50V AXIAL CER T/R 104 | P 4 |
| C146 | C 7964-7 | .22UF 100V AXIAL CER CAP T/R | P 4 |
| C147 | C10588-9 | 15UF 35V 20% NP RAD ELECT T/R | P 4 |
| C148 | C10587-1 | 220UF 25V 20% NP RAD ELEC T/R | P 5 |
| C149 | C 8576-8 | 100UF 35V 10% ALUM ELECT T/A | M 5 |
| C150 | C 8576-8 | 100UF 35V 10% ALUM ELECT T/A | M 4 |
| C151 | C 5362-6 | 2.2UF 50V VERT ELECT T/A | L 5 |
| C152 | C 6802-0 | .47UF 50V AXIAL CER T/R 474 | L 5 |
| C153 | C 8897-8 | .1UF 100V 20% Z5U RAD CER T/R | K 5 |
| C158 | C 6811-1 | 100PF 200V 10% NPO AXL CER T/R | N 4 |
| C159 | C 6811-1 | 100PF 200V 10% NPO AXL CER T/R | N 3 |
| C160 | C 6804-6 | .1UF 50V AXIAL CER T/R 104 | N 4 |
| C161 | C 6804-6 | .1UF 50V AXIAL CER T/R 104 | N 3 |
| C162 | C 6811-1 | 100PF 200V 10% NPO AXL CER T/R | I 4 |
| C163 | C 6811-1 | 100PF 200V 10% NPO AXL CER T/R | I 4 |
| C164 | A10434-104JD | .1UF 250V 5% MTL POLY FILM T/A | O 6 |
| C171 | C10208-4 | 100.UF 25V 20% RAD ELECT T/R | J 1 |
| C172 | C10208-4 | 100.UF 25V 20% RAD ELECT T/R | J 1 |
| C173 | C 6811-1 | 100PF 200V 10% NPO AXL CER T/R | N 3 |
| C174 | C 6811-1 | 100PF 200V 10% NPO AXL CER T/R | N 3 |
| C175 | A10579-222KC | 2200PF 100 10% POLY FILM T/A | N 2 |
| C176 | A10579-222KC | 2200PF 100 10% POLY FILM T/A | P 2 |
| C200 | C 6813-7 | 27PF 200V 10% NPO AXIAL CER | G 3 |
| C201 | C 6813-7 | 27PF 200V 10% NPO AXIAL CER | G 2 |
| C202 | C 6813-7 | 27PF 200V 10% NPO AXIAL CER | G 2 |
| C205 | C 8576-8 | 100UF 35V 10% ALUM ELECT T/A | H 1 |
| C206 | C 6812-9 | 47PF 200V 10% NPO AXL CER | G 2 |
| C207 | C 5311-3 | 22UF 50V 20% NP VERT T/A | F 1 |
| C208 | C 9464-6 | 10PF 100V 5% NPO RAD CER T/R | F 2 |
| C209 | C 8897-8 | .1UF 100V 20% Z5U RAD CER T/R | G 2 |
| C210 | C 6812-9 | 47PF 200V 10% NPO AXL CER | F 2 |
| C211 | C 6812-9 | 47PF 200V 10% NPO AXL CER | E 3 |
| C212 | C 6812-9 | 47PF 200V 10% NPO AXL CER | E 2 |
| C213 | C 6812-9 | 47PF 200V 10% NPO AXL CER | E 3 |
| C214 | C 6812-9 | 47PF 200V 10% NPO AXL CER | E 3 |
| C215 | C 6805-3 | .022UF 100V AXIALCER T/R 223 | E 3 |
| C216 | C 6805-3 | .022UF 100V AXIALCER T/R 223 | E 2 |
| C217 | C 6806-1 | .01UF 100V AXIAL CER T/R 103 | D 3 |
| C218 | C 6814-5 | 12PF 200V AXIAL CER T/R 120 | D 2 |
| C219 | C 6814-5 | 12PF 200V AXIAL CER T/R 120 | D 3 |

INACTIVE
For Reference Use Only

| | | | |
|---------------------------------|---------|------------------------|----------------------|
| CROWN INTERNATIONAL INC. | | | |
| 1718 WEST MISHAWAKA ROAD | | ELKHART, INDIANA 46517 | PHONE (219) 294-8000 |
| DRAWN | KLW | 11-07-97 | DWG. NO. |
| PROJ. | MD360D0 | 125413 | |
| | | | SHEET 8 OF 22 |
| | | | REV (F) |

THESE DRAWINGS AND SPECIFICATIONS ARE THE PROPERTY OF CROWN INTERNATIONAL, INC. AND SHALL NOT BE REPRODUCED, COPIED, OR USED AS THE BASIS FOR THE MANUFACTURE OR SALE OF APPARATUS OR DEVICES WITHOUT PERMISSION.

| PARTS LIST | | | |
|------------|--------------|--------------------------------|----------|
| REF DES | C. P. N. | DESCRIPTION | MAP LOC. |
| C220 | C 6808-7 | 470.PF 100V 5% NPO AXL CER T/R | A 5 |
| C221 | C 6810-3 | 180PF 100V AXIAL CER T/R 181 | D 4 |
| C222 | C 7417-6 | 3300PF 100V 10% CAP | A 5 |
| C223 | C 7417-6 | 3300PF 100V 10% CAP | B 5 |
| C224 | C 6806-1 | .01UF 100V AXIAL CER T/R 103 | F 4 |
| C225 | C 8897-8 | .1UF 100V 20% Z5U RAD CER T/R | F 4 |
| C226 | C 6811-1 | 100PF 200V 10% NPO AXL CER T/R | F 4 |
| C227 | C 6950-7 | 82PF 200V 5% NPO AXIAL CER T/R | F 4 |
| C228 | C 6812-9 | 47PF 200V 10% NPO AXL CER | F 3 |
| C229 | C 6814-5 | 12PF 200V AXIAL CER T/R 120 | F 3 |
| C230 | C 6813-7 | 27PF 200V 10% NPO AXL CER | F 3 |
| C231 | C 6806-1 | .01UF 100V AXIAL CER T/R 103 | F 3 |
| C232 | C 8897-8 | .1UF 100V 20% Z5U RAD CER T/R | F 3 |
| C233 | C 6812-9 | 47PF 200V 10% NPO AXL CER | F 3 |
| C234 | C 6804-6 | .1UF 50V AXIAL CER T/R 104 | B 3 |
| C235 | C 6804-6 | .1UF 50V AXIAL CER T/R 104 | A 3 |
| C236 | C 6804-6 | .1UF 50V AXIAL CER T/R 104 | A 2 |
| C237 | C 6804-6 | .1UF 50V AXIAL CER T/R 104 | B 2 |
| C238 | C 6804-6 | .1UF 50V AXIAL CER T/R 104 | A 4 |
| C239 | C 6804-6 | .1UF 50V AXIAL CER T/R 104 | B 4 |
| C240 | C 7964-7 | .22UF 100V AXIAL CER CAP T/R | A 4 |
| C241 | C 6804-6 | .1UF 50V AXIAL CER T/R 104 | A 4 |
| C242 | C10588-9 | 15UF 35V 20% NP RAD ELECT T/R | A 4 |
| C243 | C10587-1 | 220UF 25V 20% NP RAD ELEC T/R | A 4 |
| C244 | C 6804-6 | .1UF 50V AXIAL CER T/R 104 | B 3 |
| C245 | C 6804-6 | .1UF 50V AXIAL CER T/R 104 | B 4 |
| C246 | C 7964-7 | .22UF 100V AXIAL CER CAP T/R | B 4 |
| C247 | C10588-9 | 15UF 35V 20% NP RAD ELECT T/R | C 4 |
| C248 | C10587-1 | 220UF 25V 20% NP RAD ELEC T/R | C 5 |
| C249 | C 8576-8 | 100UF 35V 10% ALUM ELECT T/A | D 5 |
| C250 | C 8576-8 | 100UF 35V 10% ALUM ELECT T/A | D 4 |
| C251 | C 5362-6 | 2.2UF 50V VERT ELECT T/A | E 5 |
| C252 | C 6802-0 | .47UF 50V AXIAL CER T/R 474 | E 5 |
| C253 | C 8897-8 | .1UF 100V 20% Z5U RAD CER T/R | F 5 |
| C258 | C 6811-1 | 100PF 200V 10% NPO AXL CER T/R | C 4 |
| C259 | C 6811-1 | 100PF 200V 10% NPO AXL CER T/R | C 3 |
| C262 | C 6811-1 | 100PF 200V 10% NPO AXL CER T/R | H 4 |
| C263 | C 6811-1 | 100PF 200V 10% NPO AXL CER T/R | H 4 |
| C264 | A10434-104JD | .1UF 250V 5% MTL POLY FILM T/A | B 6 |
| C265 | C 6805-3 | .022UF 100V AXIALCER T/R 223 | F 3 |
| C266 | C 6805-3 | .022UF 100V AXIALCER T/R 223 | G 2 |
| C267 | C 6804-6 | .1UF 50V AXIAL CER T/R 104 | C 3 |
| C268 | C 6804-6 | .1UF 50V AXIAL CER T/R 104 | C 3 |
| C271 | C10208-4 | 100.UF 25V 20% RAD ELECT T/R | G 1 |
| C272 | C10208-4 | 100.UF 25V 20% RAD ELECT T/R | G 1 |
| C273 | C 6811-1 | 100PF 200V 10% NPO AXL CER T/R | C 3 |
| C274 | C 6811-1 | 100PF 200V 10% NPO AXL CER T/R | C 2 |
| C275 | A10579-222KC | 2200PF 100 10% POLY FILM T/A | A 2 |
| C276 | A10579-222KC | 2200PF 100 10% POLY FILM T/A | B 2 |

INACTIVE

For Reference Use Only

| | | | |
|---------------------------------|---------|------------------------|----------------------|
| CROWN INTERNATIONAL INC. | | | |
| 1718 WEST MISHAWAKA ROAD | | ELKHART, INDIANA 46517 | PHONE (219) 294-8000 |
| DRAWN | KLW | 11-07-97 | DWG. NO. |
| PROJ. | MD360D0 | 125413 | |
| | | | SHEET 9 OF 22 |
| | | | REV (F) |

THESE DRAWINGS AND SPECIFICATIONS ARE THE PROPERTY OF CROWN INTERNATIONAL, INC. AND SHALL NOT BE REPRODUCED, COPIED, OR USED AS THE BASIS FOR THE MANUFACTURE OR SALE OF APPARATUS OR DEVICES WITHOUT PERMISSION.

| PARTS LIST | | | |
|------------|----------|-------------------------------|----------|
| REF DES | C. P. N. | DESCRIPTION | MAP LOC. |
| D1 | C 2851-1 | RECTIFIER, 1N4004 SILICON T/R | G 4 |
| D2 | C 2851-1 | RECTIFIER, 1N4004 SILICON T/R | G 5 |
| D3 | C 2851-1 | RECTIFIER, 1N4004 SILICON T/R | G 4 |
| D4 | C 2851-1 | RECTIFIER, 1N4004 SILICON T/R | G 5 |
| D5 | C 2851-1 | RECTIFIER, 1N4004 SILICON T/R | J 4 |
| D6 | C 2851-1 | RECTIFIER, 1N4004 SILICON T/R | J 4 |
| D7 | C 2851-1 | RECTIFIER, 1N4004 SILICON T/R | J 5 |
| D8 | C 5082-0 | DIODE, 1N4733A 5.1V ZENER T/R | I 2 |
| D9 | C 3181-2 | DIODE, 1N4148 T/R | H 6 |
| D10 | C 3181-2 | DIODE, 1N4148 T/R | H 6 |
| D11 | C 3181-2 | DIODE, 1N4148 T/R | H 6 |
| D12 | C 3181-2 | DIODE, 1N4148 T/R | H 6 |
| D13 | C 3181-2 | DIODE, 1N4148 T/R | I 6 |
| D100 | C 3181-2 | DIODE, 1N4148 T/R | K 2 |
| D101 | C 3181-2 | DIODE, 1N4148 T/R | K 2 |
| D102 | C 3181-2 | DIODE, 1N4148 T/R | L 3 |
| D103 | C 3181-2 | DIODE, 1N4148 T/R | L 2 |
| D104 | C 3181-2 | DIODE, 1N4148 T/R | M 3 |
| D105 | C 3181-2 | DIODE, 1N4148 T/R | M 3 |
| D106 | C 3181-2 | DIODE, 1N4148 T/R | M 3 |
| D107 | C 3181-2 | DIODE, 1N4148 T/R | M 3 |
| D108 | C 3181-2 | DIODE, 1N4148 T/R | M 2 |
| D109 | C 3181-2 | DIODE, 1N4148 T/R | M 2 |
| D110 | C 5061-4 | DIODE, 1N3070 10K/T&R | M 2 |
| D111 | C 3181-2 | DIODE, 1N4148 T/R | O 5 |
| D112 | C 3181-2 | DIODE, 1N4148 T/R | P 5 |
| D113 | C 5061-4 | DIODE, 1N3070 10K/T&R | M 3 |
| D114 | C 5061-4 | DIODE, 1N3070 10K/T&R | K 4 |
| D115 | C 3181-2 | DIODE, 1N4148 T/R | K 4 |
| D116 | C 3181-2 | DIODE, 1N4148 T/R | K 3 |
| D117 | C 5061-4 | DIODE, 1N3070 10K/T&R | K 3 |
| D118 | C 3181-2 | DIODE, 1N4148 T/R | J 3 |
| D119 | C 3181-2 | DIODE, 1N4148 T/R | J 3 |
| D120 | C 8182-5 | 1N753A 6.2V .5W ZENER DIODE | O 3 |
| D121 | C 3181-2 | DIODE, 1N4148 T/R | L 5 |
| D122 | C 3181-2 | DIODE, 1N4148 T/R | L 5 |
| D123 | C 3181-2 | DIODE, 1N4148 T/R | L 6 |
| D124 | C 3181-2 | DIODE, 1N4148 T/R | L 6 |
| D125 | C 3181-2 | DIODE, 1N4148 T/R | L 6 |
| D127 | C 3181-2 | DIODE, 1N4148 T/R | L 6 |
| D128 | C 3533-4 | DIODE, 1N9668 16V ZENER T/R | L 5 |
| D129 | C 2851-1 | RECTIFIER, 1N4004 SILICON T/R | L 5 |
| D130 | C 3181-2 | DIODE, 1N4148 T/R | K 4 |
| D131 | C 3181-2 | DIODE, 1N4148 T/R | K 3 |
| D132 | C 2851-1 | RECTIFIER, 1N4004 SILICON T/R | L 5 |
| D133 | C 3181-2 | DIODE, 1N4148 T/R | J 1 |
| D134 | C 3181-2 | DIODE, 1N4148 T/R | J 2 |
| D135 | C 3181-2 | DIODE, 1N4148 T/R | K 5 |
| | | | |
| | | | |

INACTIVE

For Reference Use Only

| | | | |
|---------------------------------|---------|------------------------|----------------------|
| CROWN INTERNATIONAL INC. | | | |
| 1718 WEST MISHAWAKA ROAD | | ELKHART, INDIANA 46517 | PHONE (219) 294-8000 |
| DRAWN | KLW | 11-07-97 | DWG. NO. |
| PROJ. | MD360D0 | 125413 | |
| | | | SHEET 10 OF 22 |
| | | | REV |
| | | | (F) |

THESE DRAWINGS AND SPECIFICATIONS ARE THE PROPERTY OF CROWN INTERNATIONAL, INC. AND SHALL NOT BE REPRODUCED, COPIED, OR USED AS THE BASIS FOR THE MANUFACTURE OR SALE OF APPARATUS OR DEVICES WITHOUT PERMISSION.

PARTS LIST

| REF DES | C.P.N. | DESCRIPTION | MAP LOC. |
|---------|----------|---------------------------|----------|
| HW9 | C 8812-7 | 5.5" CABLE TIE | N 6 |
| HW10 | C 8812-7 | 5.5" CABLE TIE | P 6 |
| J1 | C 7526-4 | 3POS .1 CENTER MTA HEADER | I 6 |
| J2A | C10570-7 | 20 PIN HDR PICOFLEX TIN | I 3 |
| J2B | C10571-5 | 18 PIN HDR PICOFLEX TIN | I 2 |
| J700 | D 8681-5 | CABLE, 10 INCH 12 PIN MTA | P 6 |
| J701 | D 8680-7 | CABLE, 6 INCH 12 PIN MTA | N 6 |
| J800 | D 8680-7 | CABLE, 6 INCH 12 PIN MTA | B 6 |
| J801 | D 8681-5 | CABLE, 10 INCH 12 PIN MTA | A 6 |
| J901X | 100375-1 | HDR, .14PIN. | H 4 |
| N100 | D 6082-8 | RESISTOR NETWORK-C | L 3 |
| N200 | D 6082-8 | RESISTOR NETWORK-C | E 3 |
| Q100 | C 3625-8 | 2N4125 30V PNP T/R | K 2 |
| Q101 | C 3625-8 | 2N4125 30V PNP T/R | K 2 |
| Q102 | D 2961-7 | SPS8010 60V NPN T/R | M 4 |
| Q103 | C 3786-8 | MPS4250A 40V PNP T/R | M 2 |
| Q104 | C 3578-9 | MPSA93 200V PNP T/R | M 3 |
| Q105 | C 3810-6 | MPSA42 300V NPN T/R | M 2 |
| Q106 | C 3578-9 | MPSA93 200V PNP T/R | M 2 |
| Q107 | C 7458-0 | 2N4123 30V NPN T/R | O 5 |
| Q108 | C 3786-8 | MPS4250A 40V PNP T/R | O 5 |
| Q109 | C 3810-6 | MPSA42 300V NPN T/R | M 4 |
| Q110 | C 7458-0 | 2N4123 30V NPN T/R | O 5 |
| Q111 | C 3786-8 | MPS4250A 40V PNP T/R | O 5 |
| Q112 | D 2962-5 | MPSA18 45V NPN T/R | K 4 |
| Q113 | C 7458-0 | 2N4123 30V NPN T/R | J 4 |
| Q114 | C 3625-8 | 2N4125 30V PNP T/R | J 3 |
| Q115 | C 3786-8 | MPS4250A 40V PNP T/R | K 3 |
| Q116 | C 3625-8 | 2N4125 30V PNP T/R | O 1 |
| Q117 | C 7458-0 | 2N4123 30V NPN T/R | O 1 |
| Q118 | C 3625-8 | 2N4125 30V PNP T/R | M 5 |
| Q119 | C 7458-0 | 2N4123 30V NPN T/R | M 5 |
| Q120 | C 3625-8 | 2N4125 30V PNP T/R | M 4 |
| Q121 | C 7458-0 | 2N4123 30V NPN T/R | M 4 |
| Q122 | C 3625-8 | 2N4125 30V PNP T/R | M 4 |
| Q123 | C 3625-8 | 2N4125 30V PNP T/R | M 5 |
| Q124 | C 3625-8 | 2N4125 30V PNP T/R | M 4 |
| Q125 | C 3625-8 | 2N4125 30V PNP T/R | M 4 |
| Q126 | C 7458-0 | 2N4123 30V NPN T/R | L 4 |
| Q127 | C 3810-6 | MPSA42 300V NPN T/R | K 4 |
| Q128 | C 7458-0 | 2N4123 30V NPN T/R | M 4 |
| Q129 | C 3625-8 | 2N4125 30V PNP T/R | M 4 |
| Q130 | C 3578-9 | MPSA93 200V PNP T/R | L 4 |
| Q131 | C 7597-5 | J202 N-CHANNEL JFET | J 6 |
| Q200 | C 3625-8 | 2N4125 30V PNP T/R | F 2 |
| Q201 | C 3625-8 | 2N4125 30V PNP T/R | F 2 |
| Q202 | D 2961-7 | SPS8010 60V NPN T/R | D 4 |
| | | | |
| | | | |
| | | | |

INACTIVE

For Reference Use Only

THESE DRAWINGS AND SPECIFICATIONS ARE THE PROPERTY OF CROWN INTERNATIONAL, INC. AND SHALL NOT BE REPRODUCED, COPIED, OR USED AS THE BASIS FOR THE MANUFACTURE OR SALE OF APPARATUS OR DEVICES WITHOUT PERMISSION.

CROWN INTERNATIONAL INC.

1718 WEST MISHAWAKA ROAD ELKHART, INDIANA 46517 PHONE (219) 294-8000

DRAWN

KLW

11-07-97

DWG. NO.

SHEET 12 OF 22

REV

PROJ.

MD36000

125413

| |
|-----|
| (F) |
|-----|

PARTS LIST

| REF DES | C.P.N. | DESCRIPTION | MAP LOC. |
|---------|--------------|--------------------------|----------|
| Q203 | C 3786-8 | MPS4250A 40V PNP T/R | D 2 |
| Q204 | C 3578-9 | MPSA93 200V PNP T/R | D 3 |
| Q205 | C 3810-6 | MPSA42 300V NPN T/R | C 2 |
| Q206 | C 3578-9 | MPSA93 200V PNP T/R | C 2 |
| Q207 | C 7458-0 | 2N4123 30V NPN T/R | A 5 |
| Q208 | C 3786-8 | MPS4250A 40V PNP T/R | A 5 |
| Q209 | C 3810-6 | MPSA42 300V NPN T/R | D 4 |
| Q210 | C 7458-0 | 2N4123 30V NPN T/R | A 5 |
| Q211 | C 3786-8 | MPS4250A 40V PNP T/R | B 5 |
| Q212 | D 2962-5 | MPSA18 45V NPN T/R | F 4 |
| Q213 | C 7458-0 | 2N4123 30V NPN T/R | G 4 |
| Q214 | C 3625-8 | 2N4125 30V PNP T/R | G 3 |
| Q215 | C 3786-8 | MPS4250A 40V PNP T/R | F 3 |
| Q216 | C 3625-8 | 2N4125 30V PNP T/R | B 1 |
| Q217 | C 7458-0 | 2N4123 30V NPN T/R | B 1 |
| Q218 | C 3625-8 | 2N4125 30V PNP T/R | C 5 |
| Q219 | C 7458-0 | 2N4123 30V NPN T/R | C 5 |
| Q220 | C 3625-8 | 2N4125 30V PNP T/R | C 4 |
| Q221 | C 7458-0 | 2N4123 30V NPN T/R | C 4 |
| Q222 | C 3625-8 | 2N4125 30V PNP T/R | C 4 |
| Q223 | C 3625-8 | 2N4125 30V PNP T/R | D 5 |
| Q224 | C 3625-8 | 2N4125 30V PNP T/R | D 4 |
| Q225 | C 3625-8 | 2N4125 30V PNP T/R | D 4 |
| Q226 | C 7458-0 | 2N4123 30V NPN T/R | E 4 |
| Q227 | C 3810-6 | MPSA42 300V NPN T/R | F 4 |
| Q228 | C 7458-0 | 2N4123 30V NPN T/R | D 4 |
| Q229 | C 3625-8 | 2N4125 30V PNP T/R | D 4 |
| Q230 | C 3578-9 | MPSA93 200V PNP T/R | E 4 |
| Q231 | C 7597-5 | J202 N-CHANNEL JFET | G 6 |
| R1 | A10265-46421 | 46.4 KOHM .25W 1% MF T/R | E 2 |
| R2 | A10265-53621 | 53.6 KOHM .25W 1% MF T/R | F 2 |
| R4 | A10265-10031 | 100. KOHM .25W 1 MF T/R | G 5 |
| R5 | A10265-24921 | 24.9 KOHM .25W 1% MF T/R | G 5 |
| R6 | A10265-24921 | 24.9 KOHM .25W 1% MF T/R | F 5 |
| R7 | A10265-10031 | 100. KOHM .25W 1 MF T/R | F 5 |
| R8 | A10266-1051 | 1.0 MOHM .25W 5 CF T/R | H 2 |
| R9 | A10266-1051 | 1.0 MOHM .25W 5 CF T/R | H 2 |
| R10 | A10266-1051 | 1.0 MOHM .25W 5 CF T/R | H 2 |
| R11 | A10266-9111 | 910. OHM .25W 5 CF T/R | I 2 |
| R12 | A10124-24 | WIRE, #24 SOLID BUS | J 6 |
| R13 | A10124-24 | WIRE, #24 SOLID BUS | H 6 |
| R14 | A10266-3921 | 3.9 KOHM .25W 5% CF T/R | G 5 |
| R15 | A10266-3921 | 3.9 KOHM .25W 5% CF T/R | G 6 |
| R16 | A10266-5641 | 560. KOHM .25W 5% CF T/R | G 6 |
| R17 | A10266-1051 | 1.0 MOHM .25W 5 CF T/R | E 6 |
| R18 | A10266-2421 | 2.4 KOHM .25W 5 CF T/R | E 6 |
| R19 | A10266-2421 | 2.4 KOHM .25W 5 CF T/R | E 6 |
| | | | |
| | | | |
| | | | |

INACTIVE

For Reference Use Only

| | | | |
|---------------------------------|----------------|------------------------|-----------------------|
| CROWN INTERNATIONAL INC. | | | |
| 1718 WEST MISHAWAKA ROAD | | ELKHART, INDIANA 46517 | PHONE (219) 294-8888 |
| DRAWN | KLW | 11-07-97 | DWG. NO. |
| PROJ. | MD360D0 | 125413 | |
| | | | SHEET 13 OF 22 |
| | | | REV |
| | | | (F) |

THESE DRAWINGS AND SPECIFICATIONS ARE THE PROPERTY OF CROWN INTERNATIONAL, INC. AND SHALL NOT BE REPRODUCED, COPIED, OR USED AS THE BASIS FOR THE MANUFACTURE OR SALE OF APPARATUS OR DEVICES WITHOUT PERMISSION.

| PARTS LIST | | | |
|------------|--------------|--------------------------------|----------|
| REF DES | C. P. N. | DESCRIPTION | MAP LOC. |
| R20 | A10266-1041 | 100. KOHM .25W 5% CF25 T/R | E 6 |
| R21 | A10266-1041 | 100. KOHM .25W 5% CF25 T/R | E 6 |
| R22 | A10266-1051 | 1.0 MOHM .25W 5 CF T/R | H 5 |
| R23 | A10266-2051 | 2.0 MOHM .25W 5 CF T/R | H 5 |
| R24 | A10266-1031 | 10. KOHM .25W 5% CF T/R | I 6 |
| R25 | A10265-10011 | 1.0 KOHM .25W 1 MF T/R | I 6 |
| R100 | A10265-10021 | 10. KOHM .25W 1 MF T/R | J 3 |
| R101 | A10265-10021 | 10. KOHM .25W 1 MF T/R | J 3 |
| R102 | A10265-10021 | 10. KOHM .25W 1 MF T/R | J 3 |
| R103 | C 9079-2 | 200.OHM TOP ADJ CERMET TRIMMER | I 2 |
| R104 | A10265-10021 | 10. KOHM .25W 1 MF T/R | J 2 |
| R105 | A10265-49911 | 4.99KOHM .25W 1 MF T/R | I 3 |
| R106 | A10265-49911 | 4.99KOHM .25W 1 MF T/R | I 3 |
| R107 | 125931-1 | POT, 5KOHM 10% LIN 21 DNT | J 2 |
| R108 | A10265-76811 | 7.68 KOHM 0.25W 1% MF T/R | I 1 |
| R109 | A10265-24921 | 24.9 KOHM .25W 1% MF T/R | I 1 |
| R110 | A10265-69811 | 6.98 KOHM .25W 1% MF T/R | I 1 |
| R111 | A10265-24921 | 24.9 KOHM .25W 1% MF T/R | K 2 |
| R112 | A10266-2201 | 22.0 OHM .25W 5 CF T/R | J 2 |
| R113 | A10265-49911 | 4.99KOHM .25W 1 MF T/R | K 2 |
| R114 | A10265-10031 | 100. KOHM .25W 1 MF T/R | K 2 |
| R115 | A10265-15031 | 150 KOHM .25 1% MF T/R | J 4 |
| R116 | A10265-10721 | 10.7KOHM .25W 1% MF T/R | I 4 |
| R117 | A10265-20031 | 200.KOHM .25W 1 MF T/R | I 3 |
| R118 | A10265-10521 | 10.5KOHM .25W 1% MF T/R | I 3 |
| R119 | A10265-10031 | 100. KOHM .25W 1 MF T/R | K 2 |
| R120 | A10266-5111 | 510. OHM .25W 5 CF T/R | K 2 |
| R121 | C 5215-6 | 22. MOHM .25W 5 THICK FILM T/R | K 2 |
| R122 | A10266-1321 | 1.3 KOHM .25W 5 CF T/R | K 2 |
| R123 | A10265-49911 | 4.99KOHM .25W 1 MF T/R | K 2 |
| R124 | A10266-1231 | 12.KOHM .25W 5% CF T/R | L 3 |
| R125 | A10266-1231 | 12.KOHM .25W 5% CF T/R | L 2 |
| R126 | A10266-2721 | 2.7 KOHM .25W 5 CF T/R | L 3 |
| R127 | A10266-2721 | 2.7 KOHM .25W 5 CF T/R | L 2 |
| R128 | A10266-6831 | 68. KOHM .25W 5% CF T/R | L 3 |
| R129 | A10266-6831 | 68. KOHM .25W 5% CF T/R | L 3 |
| R130 | A10265-10031 | 100. KOHM .25W 1 MF T/R | L 3 |
| R131 | A10265-10031 | 100. KOHM .25W 1 MF T/R | L 2 |
| R132 | A10266-4701 | 47.0 OHM .25W 5 CF T/R | L 4 |
| R133 | A10266-4701 | 47.0 OHM .25W 5 CF T/R | L 2 |
| R134 | A10266-4711 | 470. OHM .25W 5% CF T/R | M 3 |
| R135 | A10266-2201 | 22.0 OHM .25W 5 CF T/R | M 3 |
| R136 | A10266-8211 | 820. OHM .25W 5% CF T/R | M 3 |
| R137 | A10266-8211 | 820. OHM .25W 5% CF T/R | M 2 |
| R138 | A10266-2201 | 22.0 OHM .25W 5 CF T/R | M 2 |
| R139 | A10266-5601 | 56.0 OHM .25W 5% CF T/R | M 2 |
| R140 | A10266-4721 | 4.7 KOHM .25W 5% CF T/R | P 5 |
| | | | |
| | | | |
| | | | |

INACTIVE

For Reference Use Only

| | | | |
|---------------------------------|---------|------------------------|----------------------|
| CROWN INTERNATIONAL INC. | | | |
| 1718 WEST MISHAWAKA ROAD | | ELKHART, INDIANA 46517 | PHONE (219) 294-8000 |
| DRAWN | KLW | 11-07-97 | DWG. NO. |
| PROJ. | MD360D0 | 125413 | |
| | | | SHEET 14 OF 22 |
| | | | REV (F) |

THESE DRAWINGS AND SPECIFICATIONS ARE THE PROPERTY OF CROWN INTERNATIONAL, INC. AND SHALL NOT BE REPRODUCED, COPIED, OR USED AS THE BASIS FOR THE MANUFACTURE OR SALE OF APPARATUS OR DEVICES WITHOUT PERMISSION.

| PARTS LIST | | | |
|------------|--------------|--------------------------------|----------|
| REF DES | C.P.N. | DESCRIPTION | MAP LOC. |
| R141 | A10266-5601 | 56.0 OHM .25W 5% CF T/R | M 4 |
| R142 | A10265-66501 | 665. OHM .25W 1 MF T/R | O 5 |
| R143 | A10265-27401 | 274. OHM .25W 1% MF T/R | P 5 |
| R144 | A10265-27401 | 274. OHM .25W 1% MF T/R | O 5 |
| R145 | A10265-66501 | 665. OHM .25W 1 MF T/R | O 5 |
| R146 | A10265-66501 | 665 OHM 0.25W 1% MF T/R | O 5 |
| R147 | A10265-66501 | 665 OHM 0.25W 1% MF T/R | O 5 |
| R148 | A10266-1041 | 100. KOHM .25W 5% CF25 T/R | P 5 |
| R149 | A10265-35711 | 3.57KOHM .25W 1 MF T/R | P 5 |
| R150 | A10265-35711 | 3.57KOHM .25W 1 MF T/R | O 5 |
| R151 | A10266-1041 | 100. KOHM .25W 5% CF25 T/R | O 5 |
| R152 | C 8836-6 | 100 OHM 0.50W 5% FU/FP T/R | K 4 |
| R153 | A10266-1031 | 10. KOHM .25W 5% CF T/R | K 4 |
| R154 | A10266-2721 | 2.7 KOHM .25W 5 CF T/R | K 3 |
| R155 | C 8836-6 | 100 OHM 0.50W 5% FU/FP T/R | K 3 |
| R156 | A10266-1031 | 10. KOHM .25W 5% CF T/R | K 3 |
| R157 | A10266-2721 | 2.7 KOHM .25W 5 CF T/R | K 3 |
| R158 | A10266-3021 | 3.0 KOHM .25W 5 CF T/R | J 4 |
| R159 | A10265-10011 | 1.0 KOHM .25W 1 MF T/R | K 3 |
| R160 | A10265-10021 | 10. KOHM .25W 1 MF T/R | J 3 |
| R161 | A10266-4721 | 4.7 KOHM .25W 5% CF T/R | J 3 |
| R162 | A10266-4721 | 4.7 KOHM .25W 5% CF T/R | J 3 |
| R163 | A10265-10021 | 10. KOHM .25W 1 MF T/R | J 3 |
| R164 | C 5215-6 | 22. MOHM .25W 5 THICK FILM T/R | K 3 |
| R165 | A10265-27431 | 274. KOHM .25W 1% MF T/R | J 4 |
| R166 | A10265-95311 | 9.53KOHM .25W 1% MF T/R | I 4 |
| R167 | A10266-1321 | 1.3 KOHM .25W 5 CF T/R | K 3 |
| R168 | A10124-24 | WIRE, #24 SOLID BUS | K 3 |
| R169 | A10265-27431 | 274. KOHM .25W 1% MF T/R | J 2 |
| R170 | A10265-95311 | 9.53KOHM .25W 1% MF T/R | J 2 |
| R171 | A10266-5621 | 5.6 KOHM .25W 5% CF T/R | P 3 |
| R172 | A10266-1541 | 150. KOHM .25W 5% CF T/R | O 3 |
| R173 | A10265-17821 | 17.8KOHM .25W 1% MF T/R | O 3 |
| R174 | A10265-24921 | 24.9 KOHM .25W 1% MF T/R | O 3 |
| R175 | A10265-49911 | 4.99KOHM .25W 1 MF T/R | O 3 |
| R176 | A10265-68111 | 6.81KOHM .25W 1% MF T/R | O 3 |
| R177 | A10265-33221 | 33.2KOHM .25W 1% MF T/R | O 4 |
| R178 | A10265-10021 | 10. KOHM .25W 1 MF T/R | O 4 |
| R179 | A10265-20011 | 2.0 KOHM .25W 1% MF T/R | O 3 |
| R180 | A10265-20011 | 2.0 KOHM .25W 1% MF T/R | O 3 |
| R181 | A10265-10001 | 100. OHM .25W 1 MF T/R | O 2 |
| R182 | A10265-51121 | 51.1 KOHM .25W 1% MF T/R | O 2 |
| R183 | A10265-68111 | 6.81KOHM .25W 1% MF T/R | O 2 |
| R184 | A10265-10001 | 100. OHM .25W 1 MF T/R | O 2 |
| R185 | A10266-2741 | 270. KOHM .25W 5% CF25 T/R | O 2 |
| R186 | C 5062-2 | 100KOHM LINEAR TRIMPOT | O 2 |
| R187 | A10265-14721 | 14.7 KOHM 0.25W 1% MF T/R | O 4 |
| | | | |
| | | | |
| | | | |

INACTIVE

For Reference Use Only

| | | | |
|---------------------------------|---------|------------------------|----------------------|
| CROWN INTERNATIONAL INC. | | | |
| 1718 WEST MISHAWAKA ROAD | | ELKHART, INDIANA 46517 | PHONE (219) 294-8000 |
| DRAWN | KLW | 11-07-97 | DWG. NO. |
| PROJ. | MD360D0 | 125413 | |
| | | | REV (F) |

THESE DRAWINGS AND SPECIFICATIONS ARE THE PROPERTY OF CROWN INTERNATIONAL, INC. AND SHALL NOT BE REPRODUCED, COPIED, OR USED AS THE BASIS FOR THE MANUFACTURE OR SALE OF APPARATUS OR DEVICES WITHOUT PERMISSION.

SHEET 15 OF 22

| PARTS LIST | | | |
|------------|--------------|--------------------------------|----------|
| REF DES | C. P. N. | DESCRIPTION | MAP LOC. |
| R188 | A10265-30921 | 30.9K OHM 0.25W 1% MF T/R | O 4 |
| R189 | A10265-19121 | 19.1K OHM 0.25W 1% MF T/R | O 4 |
| R190 | A10265-33221 | 33.2KOHM .25W 1% MF T/R | P 3 |
| R191 | A10265-10021 | 10. KOHM .25W 1 MF T/R | P 3 |
| R192 | A10265-20011 | 2.0 KOHM .25W 1% MF T/R | P 3 |
| R193 | A10265-20011 | 2.0 KOHM .25W 1% MF T/R | P 4 |
| R194 | A10265-68111 | 6.81KOHM .25W 1% MF T/R | P 3 |
| R195 | A10265-10001 | 100. OHM .25W 1 MF T/R | P 2 |
| R196 | A10265-51121 | 51.1 KOHM .25W 1% MF T/R | P 2 |
| R197 | A10265-68111 | 6.81KOHM .25W 1% MF T/R | P 2 |
| R198 | A10265-10001 | 100. OHM .25W 1 MF T/R | P 2 |
| R199 | A10266-2741 | 270. KOHM .25W 5% CF25 T/R | P 2 |
| R200 | A10265-10021 | 10. KOHM .25W 1 MF T/R | G 3 |
| R201 | A10265-10021 | 10. KOHM .25W 1 MF T/R | G 3 |
| R202 | A10265-10021 | 10. KOHM .25W 1 MF T/R | G 3 |
| R203 | C 9079-2 | 200.OHM TOP ADJ CERMET TRIMMER | H 1 |
| R204 | A10265-10021 | 10. KOHM .25W 1 MF T/R | G 2 |
| R205 | A10265-49911 | 4.99KOHM .25W 1 MF T/R | H 3 |
| R206 | A10265-49911 | 4.99KOHM .25W 1 MF T/R | H 3 |
| R207 | 125931-1 | POT, 5KOHM 10% LIN 21 DNT | F 2 |
| R208 | A10265-76811 | 7.68K OHM 0.25W 1% MF T/R | H 1 |
| R209 | A10265-24921 | 24.9 KOHM .25W 1% MF T/R | H 1 |
| R210 | A10265-69811 | 6.98 KOHM .25W 1% MF T/R | H 1 |
| R211 | A10265-24921 | 24.9 KOHM .25W 1% MF T/R | F 2 |
| R212 | A10266-2201 | 22.0 OHM .25W 5 CF T/R | G 2 |
| R213 | A10265-49911 | 4.99KOHM .25W 1 MF T/R | F 2 |
| R214 | A10265-10031 | 100. KOHM .25W 1 MF T/R | F 2 |
| R215 | A10265-15031 | 150 KOHM .25 1% MF T/R | G 4 |
| R216 | A10265-10721 | 10.7KOHM .25W 1% MF T/R | H 4 |
| R217 | A10265-20031 | 200.KOHM .25W 1 MF T/R | H 3 |
| R218 | A10265-10521 | 10.5KOHM .25W 1% MF T/R | H 3 |
| R219 | A10265-10031 | 100. KOHM .25W 1 MF T/R | F 2 |
| R220 | A10266-5111 | 510. OHM .25W 5 CF T/R | F 2 |
| R221 | C 5215-6 | 22. MOHM .25W 5 THICK FILM T/R | F 2 |
| R222 | A10266-1321 | 1.3 KOHM .25W 5 CF T/R | F 2 |
| R223 | A10265-49911 | 4.99KOHM .25W 1 MF T/R | F 2 |
| R224 | A10266-1231 | 12.KOHM .25W 5% CF T/R | E 3 |
| R225 | A10266-1231 | 12.KOHM .25W 5% CF T/R | E 2 |
| R226 | A10266-2721 | 2.7 KOHM .25W 5 CF T/R | E 3 |
| R227 | A10266-2721 | 2.7 KOHM .25W 5 CF T/R | E 2 |
| R228 | A10266-6831 | 68. KOHM .25W 5% CF T/R | E 3 |
| R229 | A10266-6831 | 68. KOHM .25W 5% CF T/R | E 3 |
| R230 | A10265-10031 | 100. KOHM .25W 1 MF T/R | E 3 |
| R231 | A10265-10031 | 100. KOHM .25W 1 MF T/R | E 2 |
| R232 | A10266-4701 | 47.0 OHM .25W 5 CF T/R | E 4 |
| R233 | A10266-4701 | 47.0 OHM .25W 5 CF T/R | E 2 |
| R234 | A10266-4711 | 470. OHM .25W 5% CF T/R | D 3 |
| | | | |
| | | | |
| | | | |

INACTIVE

For Reference Use Only

| | | | |
|---------------------------------|---------|------------------------|----------------------|
| CROWN INTERNATIONAL INC. | | | |
| 1718 WEST MISHAWAKA ROAD | | ELKHART, INDIANA 46517 | PHONE (219) 294-8800 |
| DRAWN | KLW | 11-07-97 | DWG. NO. |
| PROJ. | MD360D0 | 125413 | |
| | | | SHEET 16 OF 22 |
| | | | REV (F) |

THESE DRAWINGS AND SPECIFICATIONS ARE THE PROPERTY OF CROWN INTERNATIONAL, INC. AND SHALL NOT BE REPRODUCED, COPIED, OR USED AS THE BASIS FOR THE MANUFACTURE OR SALE OF APPARATUS OR DEVICES WITHOUT PERMISSION.

| PARTS LIST | | | |
|------------|--------------|--------------------------------|----------|
| REF DES | C. P. N. | DESCRIPTION | MAP LOC. |
| R235 | A10266-2201 | 22.0 OHM .25W 5 CF T/R | D 3 |
| R236 | A10266-8211 | 820. OHM .25W 5% CF T/R | D 3 |
| R237 | A10266-8211 | 820. OHM .25W 5% CF T/R | D 2 |
| R238 | A10266-2201 | 22.0 OHM .25W 5 CF T/R | D 2 |
| R239 | A10266-5601 | 56.0 OHM .25W 5% CF T/R | D 2 |
| R240 | A10266-4721 | 4.7 KOHM .25W 5% CF T/R | A 5 |
| R241 | A10266-5601 | 56.0 OHM .25W 5% CF T/R | D 4 |
| R242 | A10265-66501 | 665. OHM .25W 1 MF T/R | B 5 |
| R243 | A10265-27401 | 274. OHM .25W 1% MF T/R | A 5 |
| R244 | A10265-27401 | 274. OHM .25W 1% MF T/R | B 5 |
| R245 | A10265-66501 | 665. OHM .25W 1 MF T/R | B 5 |
| R246 | A10265-66501 | 665 OHM 0.25W 1% MF T/R | B 5 |
| R247 | A10265-66501 | 665 OHM 0.25W 1% MF T/R | B 5 |
| R248 | A10266-1041 | 100. KOHM .25W 5% CF25 T/R | A 5 |
| R249 | A10265-35711 | 3.57KOHM .25W 1 MF T/R | A 5 |
| R250 | A10265-35711 | 3.57KOHM .25W 1 MF T/R | B 5 |
| R251 | A10266-1041 | 100. KOHM .25W 5% CF25 T/R | B 5 |
| R252 | C 8836-6 | 100 OHM 0.50W 5% FU/FP T/R | F 4 |
| R253 | A10266-1031 | 10. KOHM .25W 5% CF T/R | E 4 |
| R254 | A10266-2721 | 2.7 KOHM .25W 5 CF T/R | E 3 |
| R255 | C 8836-6 | 100 OHM 0.50W 5% FU/FP T/R | F 3 |
| R256 | A10266-1031 | 10. KOHM .25W 5% CF T/R | E 3 |
| R257 | A10266-2721 | 2.7 KOHM .25W 5 CF T/R | E 3 |
| R258 | A10266-3021 | 3.0 KOHM .25W 5 CF T/R | G 4 |
| R259 | A10265-10011 | 1.0 KOHM .25W 1 MF T/R | F 3 |
| R260 | A10265-10021 | 10. KOHM .25W 1 MF T/R | G 3 |
| R261 | A10266-4721 | 4.7 KOHM .25W 5% CF T/R | G 3 |
| R262 | A10266-4721 | 4.7 KOHM .25W 5% CF T/R | G 3 |
| R263 | A10265-10021 | 10. KOHM .25W 1 MF T/R | G 3 |
| R264 | C 5215-6 | 22. MOHM .25W 5 THICK FILM T/R | F 3 |
| R265 | A10265-27431 | 274. KOHM .25W 1% MF T/R | G 4 |
| R266 | A10265-95311 | 9.53KOHM .25W 1% MF T/R | H 4 |
| R267 | A10266-1321 | 1.3 KOHM .25W 5 CF T/R | F 3 |
| R268 | A10124-24 | WIRE, #24 SOLID BUS | F 3 |
| R269 | A10265-27431 | 274. KOHM .25W 1% MF T/R | G 2 |
| R270 | A10265-95311 | 9.53KOHM .25W 1% MF T/R | G 2 |
| R271 | A10266-5621 | 5.6 KOHM .25W 5% CF T/R | B 3 |
| R272 | A10266-1541 | 150. KOHM .25W 5% CF T/R | A 3 |
| R273 | A10265-17821 | 17.8KOHM .25W 1% MF T/R | A 3 |
| R274 | A10265-24921 | 24.9 KOHM .25W 1% MF T/R | A 3 |
| R275 | A10265-49911 | 4.99KOHM .25W 1 MF T/R | A 3 |
| R276 | A10265-68111 | 6.81KOHM .25W 1% MF T/R | A 3 |
| R277 | A10265-33221 | 33.2KOHM .25W 1% MF T/R | A 4 |
| R278 | A10265-10021 | 10. KOHM .25W 1 MF T/R | A 4 |
| R279 | A10265-20011 | 2.0 KOHM .25W 1% MF T/R | A 3 |
| R280 | A10265-20011 | 2.0 KOHM .25W 1% MF T/R | A 3 |
| R281 | A10265-10001 | 100. OHM .25W 1 MF T/R | A 2 |
| | | | |
| | | | |
| | | | |

INACTIVE

For Reference Use Only

THESE DRAWINGS AND SPECIFICATIONS ARE THE PROPERTY OF CROWN INTERNATIONAL, INC. AND SHALL NOT BE REPRODUCED, COPIED, OR USED AS THE BASIS FOR THE MANUFACTURE OR SALE OF APPARATUS OR DEVICES WITHOUT PERMISSION.

| | | | |
|---------------------------------|---------|------------------------|----------------------|
| CROWN INTERNATIONAL INC. | | | |
| 1718 WEST MISHAWAKA ROAD | | ELKHART, INDIANA 46517 | PHONE (219) 294-8000 |
| DRAWN | KLW | 11-07-97 | DWG. NO. |
| PROJ. | MD360D0 | 125413 | |
| | | | SHEET 17 OF 22 |
| | | | REV (F) |

| PARTS LIST | | | |
|------------|--------------|----------------------------|----------|
| REF DES | C. P. N. | DESCRIPTION | MAP LOC. |
| R282 | A10265-51121 | 51.1 KOHM .25W 1% MF T/R | A 2 |
| R283 | A10265-68111 | 6.81KOHM .25W 1% MF T/R | A 2 |
| R284 | A10265-10001 | 100. OHM .25W 1 MF T/R | A 2 |
| R285 | A10266-2741 | 270. KOHM .25W 5% CF25 T/R | A 2 |
| R286 | C 5062-2 | 100KOHM LINEAR TRIMPOT | A 2 |
| R287 | A10265-14721 | 14.7K OHM 0.25W 1% MF T/R | A 4 |
| R288 | A10265-30921 | 30.9K OHM 0.25W 1% MF T/R | A 4 |
| R289 | A10265-19121 | 19.1K OHM 0.25W 1% MF T/R | A 4 |
| R290 | A10265-33221 | 33.2KOHM .25W 1% MF T/R | B 3 |
| R291 | A10265-10021 | 10. KOHM .25W 1 MF T/R | B 3 |
| R292 | A10265-20011 | 2.0 KOHM .25W 1% MF T/R | B 4 |
| R293 | A10265-20011 | 2.0 KOHM .25W 1% MF T/R | B 4 |
| R294 | A10265-68111 | 6.81KOHM .25W 1% MF T/R | B 3 |
| R295 | A10265-10001 | 100. OHM .25W 1 MF T/R | B 2 |
| R296 | A10265-51121 | 51.1 KOHM .25W 1% MF T/R | B 2 |
| R297 | A10265-68111 | 6.81KOHM .25W 1% MF T/R | B 2 |
| R298 | A10265-10001 | 100. OHM .25W 1 MF T/R | B 2 |
| R299 | A10266-2741 | 270. KOHM .25W 5% CF25 T/R | B 2 |
| R300 | C 5062-2 | 100KOHM LINEAR TRIMPOT | P 2 |
| R301 | A10265-14721 | 14.7K OHM 0.25W 1% MF T/R | P 4 |
| R302 | A10265-30921 | 30.9K OHM 0.25W 1% MF T/R | P 4 |
| R303 | A10265-19121 | 19.1K OHM 0.25W 1% MF T/R | P 4 |
| R304 | A10265-39221 | 39.2KOHM .25W 1% MF T/R | P 4 |
| R305 | A10265-35731 | 357. KOHM .25W 1 MF T/R | P 4 |
| R306 | A10266-3021 | 3.0 KOHM .25W 5 CF T/R | O 1 |
| R307 | A10266-1521 | 1.5 KOHM .25W 5% CF T/R | O 1 |
| R308 | A10266-1041 | 100. KOHM .25W 5% CF25 T/R | O 1 |
| R309 | C 7779-9 | 22. OHM .25W 5% FU/FP T/R | N 5 |
| R310 | A10266-4711 | 470. OHM .25W 5% CF T/R | N 5 |
| R311 | A10266-4711 | 470. OHM .25W 5% CF T/R | N 5 |
| R312 | C 7779-9 | 22. OHM .25W 5% FU/FP T/R | N 5 |
| R313 | A10266-4711 | 470. OHM .25W 5% CF T/R | N 5 |
| R314 | C 7779-9 | 22. OHM .25W 5% FU/FP T/R | N 4 |
| R315 | A10266-4711 | 470. OHM .25W 5% CF T/R | N 4 |
| R316 | A10266-4711 | 470. OHM .25W 5% CF T/R | N 4 |
| R317 | A10266-4711 | 470. OHM .25W 5% CF T/R | N 4 |
| R318 | C 7779-9 | 22. OHM .25W 5% FU/FP T/R | N 4 |
| R319 | A10266-2731 | 27. KOHM .25W 5 CF T/R | N 5 |
| R320 | A10266-3321 | 3.3 KOHM .25W 5% CF T/R | L 5 |
| R321 | A10266-3321 | 3.3 KOHM .25W 5% CF T/R | L 5 |
| R322 | A10266-2051 | 2.0 MOHM .25W 5 CF T/R | K 5 |
| R323 | A10266-1521 | 1.5 KOHM .25W 5% CF T/R | L 5 |
| R324 | A10266-4711 | 470. OHM .25W 5% CF T/R | K 5 |
| R325 | A10266-1041 | 100. KOHM .25W 5% CF25 T/R | K 5 |
| R326 | A10266-5121 | 5.1 KOHM .25W 5 CF T/R | K 5 |
| R327 | A10266-7521 | 7.5 KOHM .25W 5% CF T/R | K 5 |
| R328 | A10266-8231 | 82. KOHM .25W 5% CF T/R | L 5 |
| | | | |
| | | | |
| | | | |

INACTIVE

For Reference Use Only

THESE DRAWINGS AND SPECIFICATIONS ARE THE PROPERTY OF CROWN INTERNATIONAL, INC. AND SHALL NOT BE REPRODUCED, COPIED, OR USED AS THE BASIS FOR THE MANUFACTURE OR SALE OF APPARATUS OR DEVICES WITHOUT PERMISSION.

CROWN INTERNATIONAL INC.

1718 WEST MISHAWAKA ROAD ELKHART, INDIANA 46517 PHONE (219) 294-8000

DRAWN

KLW

11-07-97

DWG. NO.

SHEET 18 OF 22

REV

PROJ.

MD360D0

125413

(F)

| PARTS LIST | | | |
|------------|--------------|----------------------------|----------|
| REF DES | C. P. N. | DESCRIPTION | MAP LOC. |
| R329 | A10265-51121 | 51.1 KOHM .25W 1% MF T/R | L 6 |
| R330 | A10266-4741 | 470. KOHM .25W 5% CF T/R | L 5 |
| R331 | A10266-2751 | 2.7 MOHM .25W 5% CF T/R | L 5 |
| R332 | A10265-10001 | 100 OHM 0.25W 1% MF T/R | |
| R338 | A10266-1041 | 100. KOHM .25W 5% CF25 T/R | J 6 |
| R339 | A10266-4731 | 47. KOHM .25W 5% CF25 T/R | J 6 |
| R340 | A10266-5121 | 5.1 KOHM .25W 5 CF T/R | L 6 |
| R341 | A10266-1531 | 15. KOHM .25W 5% CF T/R | L 6 |
| R342 | A10266-3921 | 3.9 KOHM .25W 5% CF T/R | L 5 |
| R343 | A10266-1031 | 10. KOHM .25W 5% CF T/R | L 5 |
| R344 | A10266-4731 | 47. KOHM .25W 5% CF25 T/R | L 4 |
| R345 | A10266-1031 | 10. KOHM .25W 5% CF T/R | L 5 |
| R346 | A10266-4731 | 47. KOHM .25W 5% CF25 T/R | L 4 |
| R347 | A10266-1031 | 10. KOHM .25W 5% CF T/R | L 4 |
| R348 | A10266-1031 | 10. KOHM .25W 5% CF T/R | L 4 |
| R349 | A10266-1031 | 10. KOHM .25W 5% CF T/R | L 4 |
| R350 | A10266-4701 | 47.0 OHM .25W 5 CF T/R | L 5 |
| R351 | A10266-2031 | 20. KOHM .25W 5 CF T/R | K 4 |
| R352 | A10266-1031 | 10. KOHM .25W 5% CF T/R | L 4 |
| R353 | A10266-4731 | 47. KOHM .25W 5% CF25 T/R | L 4 |
| R354 | A10266-4731 | 47. KOHM .25W 5% CF25 T/R | L 4 |
| R355 | A10266-4731 | 47. KOHM .25W 5% CF25 T/R | L 4 |
| R356 | A10266-4731 | 47. KOHM .25W 5% CF25 T/R | L 4 |
| R357 | A10266-1031 | 10. KOHM .25W 5% CF T/R | L 5 |
| R358 | A10266-2031 | 20. KOHM .25W 5 CF T/R | L 4 |
| R359 | A10265-10R01 | 10.0 OHM .25W 1 MF T/R | N 4 |
| R360 | A10266-1211 | 120. OHM .25W 5 CF T/R | N 4 |
| R361 | C 6048-0 | 500 OHM PIHER TRIM | N 4 |
| R362 | A10265-10R01 | 10.0 OHM .25W 1 MF T/R | N 4 |
| R363 | A10265-10211 | 1.02K OHM 0.25W 1% MF T/R | N 3 |
| R364 | A10265-18221 | 18.2K OHM 0.25W 1% MF T/R | N 3 |
| R365 | A10265-10211 | 1.02K OHM 0.25W 1% MF T/R | N 3 |
| R366 | A10265-18221 | 18.2K OHM 0.25W 1% MF T/R | N 3 |
| R367 | A10265-10R01 | 10 OHM 0.25W 1% MF T/R | N 3 |
| R368 | A10266-4711 | 470. OHM .25W 5% CF T/R | J 4 |
| R369 | A10266-4711 | 470. OHM .25W 5% CF T/R | J 4 |
| R400 | C 5062-2 | 100KOHM LINEAR TRIMPOT | B 2 |
| R401 | A10265-14721 | 14.7K OHM 0.25W 1% MF T/R | B 4 |
| R402 | A10265-30921 | 30.9K OHM 0.25W 1% MF T/R | B 4 |
| R403 | A10265-19121 | 19.1K OHM 0.25W 1% MF T/R | B 4 |
| R404 | A10265-39221 | 39.2KOHM .25W 1% MF T/R | B 4 |
| R405 | A10265-35731 | 357. KOHM .25W 1 MF T/R | B 5 |
| R406 | A10266-3021 | 3.0 KOHM .25W 5 CF T/R | B 1 |
| R407 | A10266-1521 | 1.5 KOHM .25W 5% CF T/R | B 1 |
| R408 | A10266-1041 | 100. KOHM .25W 5% CF25 T/R | B 1 |
| R409 | C 7779-9 | 22. OHM .25W 5% FU/FP T/R | C 5 |
| R410 | A10266-4711 | 470. OHM .25W 5% CF T/R | C 5 |
| | | | |
| | | | |
| | | | |

INACTIVE

For Reference Use Only

| | | | |
|---------------------------------|---------|------------------------|----------------------|
| CROWN INTERNATIONAL INC. | | | |
| 1718 WEST MISHAWAKA ROAD | | ELKHART, INDIANA 46517 | PHONE (219) 294-8000 |
| DRAWN | KLW | 11-07-97 | DWG. NO. |
| PROJ. | MD360D0 | 125413 | |
| | | | SHEET 19 OF 22 |
| | | | REV F |

THESE DRAWINGS AND SPECIFICATIONS ARE THE PROPERTY OF CROWN INTERNATIONAL, INC. AND SHALL NOT BE REPRODUCED, COPIED, OR USED AS THE BASIS FOR THE MANUFACTURE OR SALE OF APPARATUS OR DEVICES WITHOUT PERMISSION.

| PARTS LIST | | | |
|------------|--------------|----------------------------|----------|
| REF DES | C. P. N. | DESCRIPTION | MAP LOC. |
| R411 | A10266-4711 | 470. OHM .25W 5% CF T/R | C 5 |
| R412 | C 7779-9 | 22. OHM .25W 5% FU/FP T/R | C 5 |
| R413 | A10266-4711 | 470. OHM .25W 5% CF T/R | C 5 |
| R414 | C 7779-9 | 22. OHM .25W 5% FU/FP T/R | C 4 |
| R415 | A10266-4711 | 470. OHM .25W 5% CF T/R | C 4 |
| R416 | A10266-4711 | 470. OHM .25W 5% CF T/R | C 4 |
| R417 | A10266-4711 | 470. OHM .25W 5% CF T/R | C 4 |
| R418 | C 7779-9 | 22. OHM .25W 5% FU/FP T/R | C 4 |
| R419 | A10266-2731 | 27. KOHM .25W 5 CF T/R | C 5 |
| R420 | A10266-3321 | 3.3 KOHM .25W 5% CF T/R | E 5 |
| R421 | A10266-3321 | 3.3 KOHM .25W 5% CF T/R | E 5 |
| R422 | A10266-2051 | 2.0 MOHM .25W 5 CF T/R | F 5 |
| R423 | A10266-1521 | 1.5 KOHM .25W 5% CF T/R | E 5 |
| R424 | A10266-4711 | 470. OHM .25W 5% CF T/R | F 5 |
| R425 | A10266-1041 | 100. KOHM .25W 5% CF25 T/R | F 5 |
| R426 | A10266-5121 | 5.1 KOHM .25W 5 CF T/R | F 5 |
| R427 | A10266-7521 | 7.5 KOHM .25W 5% CF T/R | F 5 |
| R428 | A10266-8231 | 82. KOHM .25W 5% CF T/R | E 5 |
| R429 | A10265-51121 | 51.1 KOHM .25W 1% MF T/R | E 6 |
| R430 | A10266-4741 | 470. KOHM .25W 5% CF T/R | E 5 |
| R431 | A10266-2751 | 2.7 MOHM .25W 5% CF T/R | E 5 |
| R438 | A10266-1041 | 100. KOHM .25W 5% CF25 T/R | G 6 |
| R439 | A10266-4731 | 47. KOHM .25W 5% CF25 T/R | G 6 |
| R440 | A10266-5121 | 5.1 KOHM .25W 5 CF T/R | E 6 |
| R441 | A10266-1531 | 15. KOHM .25W 5% CF T/R | E 6 |
| R442 | A10266-3921 | 3.9 KOHM .25W 5% CF T/R | E 5 |
| R443 | A10266-1031 | 10. KOHM .25W 5% CF T/R | E 5 |
| R444 | A10266-4731 | 47. KOHM .25W 5% CF25 T/R | E 4 |
| R445 | A10266-1031 | 10. KOHM .25W 5% CF T/R | E 5 |
| R446 | A10266-4731 | 47. KOHM .25W 5% CF25 T/R | E 4 |
| R447 | A10266-1031 | 10. KOHM .25W 5% CF T/R | E 4 |
| R448 | A10266-1031 | 10. KOHM .25W 5% CF T/R | E 4 |
| R449 | A10266-1031 | 10. KOHM .25W 5% CF T/R | E 4 |
| R450 | A10266-4701 | 47.0 OHM .25W 5 CF T/R | E 5 |
| R451 | A10266-2031 | 20. KOHM .25W 5 CF T/R | F 4 |
| R452 | A10266-1031 | 10. KOHM .25W 5% CF T/R | E 4 |
| R453 | A10266-4731 | 47. KOHM .25W 5% CF25 T/R | E 4 |
| R454 | A10266-4731 | 47. KOHM .25W 5% CF25 T/R | E 4 |
| R455 | A10266-4731 | 47. KOHM .25W 5% CF25 T/R | E 4 |
| R456 | A10266-4731 | 47. KOHM .25W 5% CF25 T/R | E 4 |
| R457 | A10266-1031 | 10. KOHM .25W 5% CF T/R | E 5 |
| R458 | A10266-2031 | 20. KOHM .25W 5 CF T/R | E 4 |
| R459 | A10265-10R01 | 10.0 OHM .25W 1 MF T/R | C 3 |
| R460 | A10266-1211 | 120. OHM .25W 5 CF T/R | C 3 |
| R461 | C 6048-0 | 500 OHM PIHER TRIM | C 4 |
| R462 | A10265-10R01 | 10.0 OHM .25W 1 MF T/R | C 4 |
| R463 | A10265-10211 | 1.02K OHM 0.25W 1% MF T/R | C 3 |
| | | | |
| | | | |
| | | | |

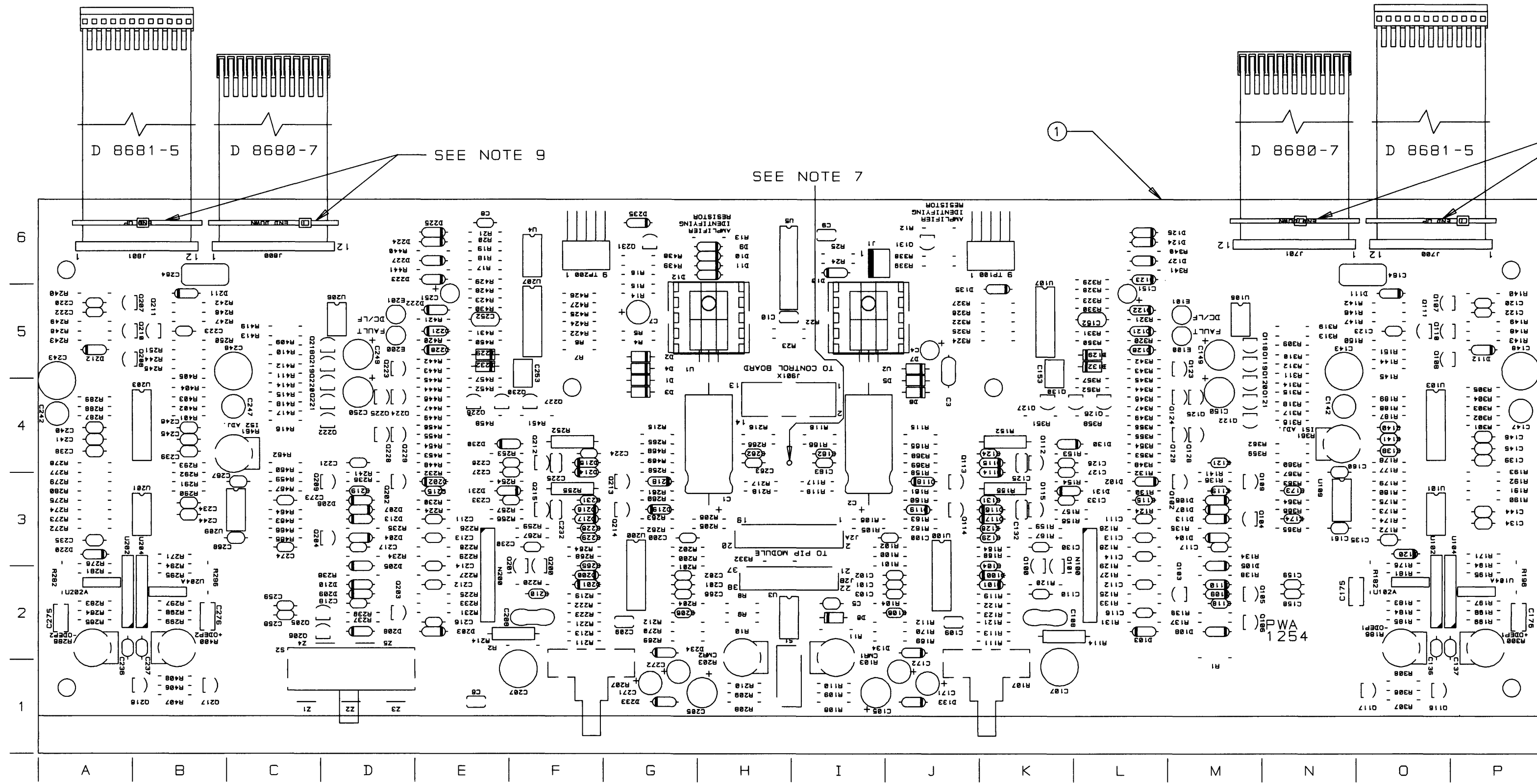
INACTIVE

For Reference Use Only

| | | | |
|---------------------------------|---------|------------------------|----------------------|
| CROWN INTERNATIONAL INC. | | | |
| 1718 WEST MISHAWAKA ROAD | | ELKHART, INDIANA 46517 | PHONE (219) 294-8000 |
| DRAWN | KLW | 11-07-97 | DWG. NO. |
| PROJ. | MD360D0 | 125413 | |
| | | | SHEET 20 OF 22 |
| | | | REV (F) |

THESE DRAWINGS AND SPECIFICATIONS ARE THE PROPERTY OF CROWN INTERNATIONAL, INC. AND SHALL NOT BE REPRODUCED, COPIED, OR USED AS THE BASIS FOR THE MANUFACTURE OR SALE OF APPARATUS OR DEVICES WITHOUT PERMISSION.

COMPONENT MAP
(COMPONENT SIDE VIEW)



INACTIVE
For Reference Use Only

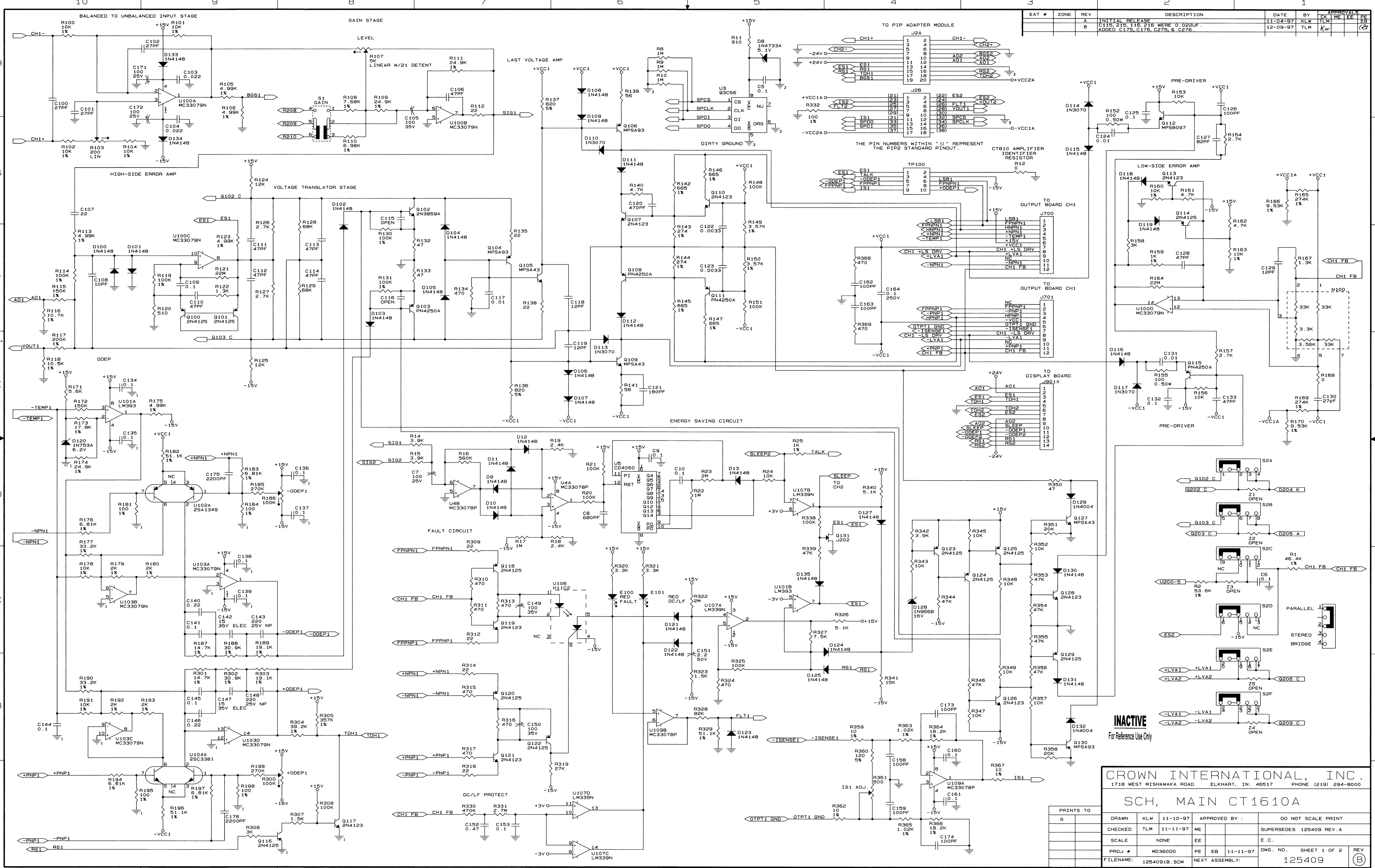
CROWN INTERNATIONAL INC.
1718 WEST MISHAWAKA ROAD ELKHART, INDIANA 46517 PHONE (219) 294-8008

THESE DRAWINGS AND SPECIFICATIONS ARE THE PROPERTY OF CROWN INTERNATIONAL, INC. AND SHALL NOT BE REPRODUCED, COPIED, OR USED AS THE BASIS FOR THE MANUFACTURE OR SALE OF APPARATUS OR DEVICES WITHOUT PERMISSION.

DRAWN KLV 11-07-97 DWG. NO. PROJ. MD360D

SHEET 22 OF 22 REV 125413

(F)



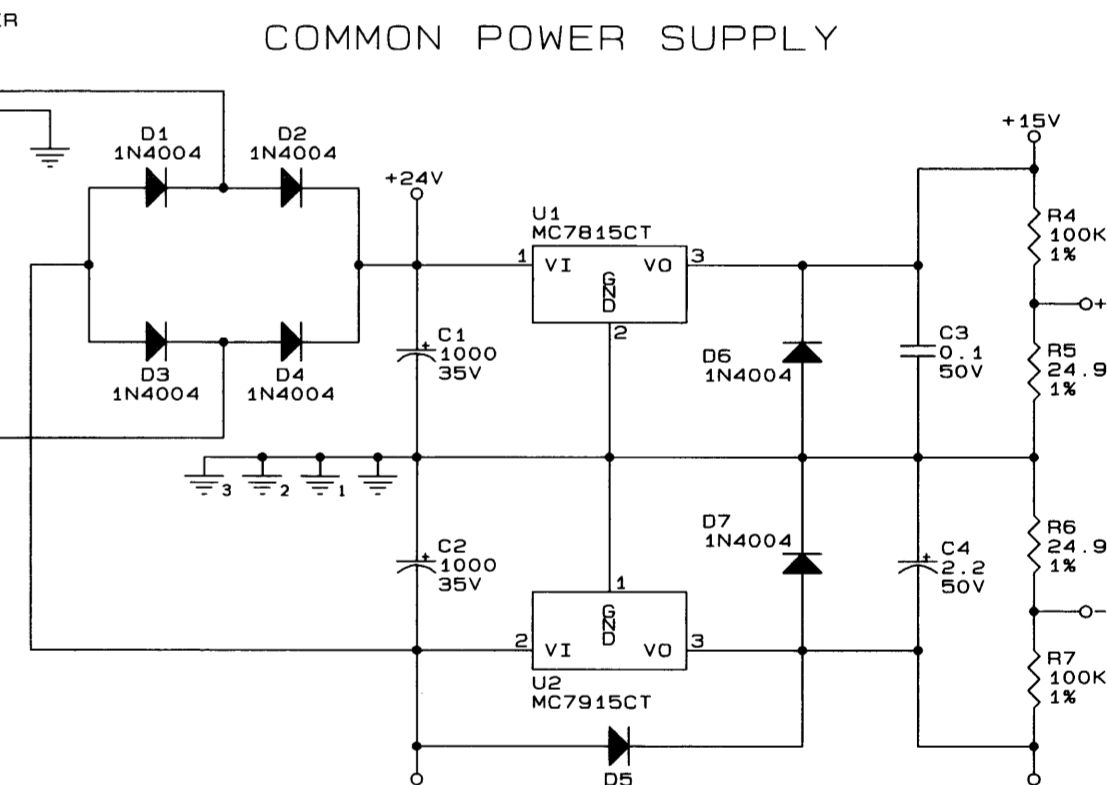
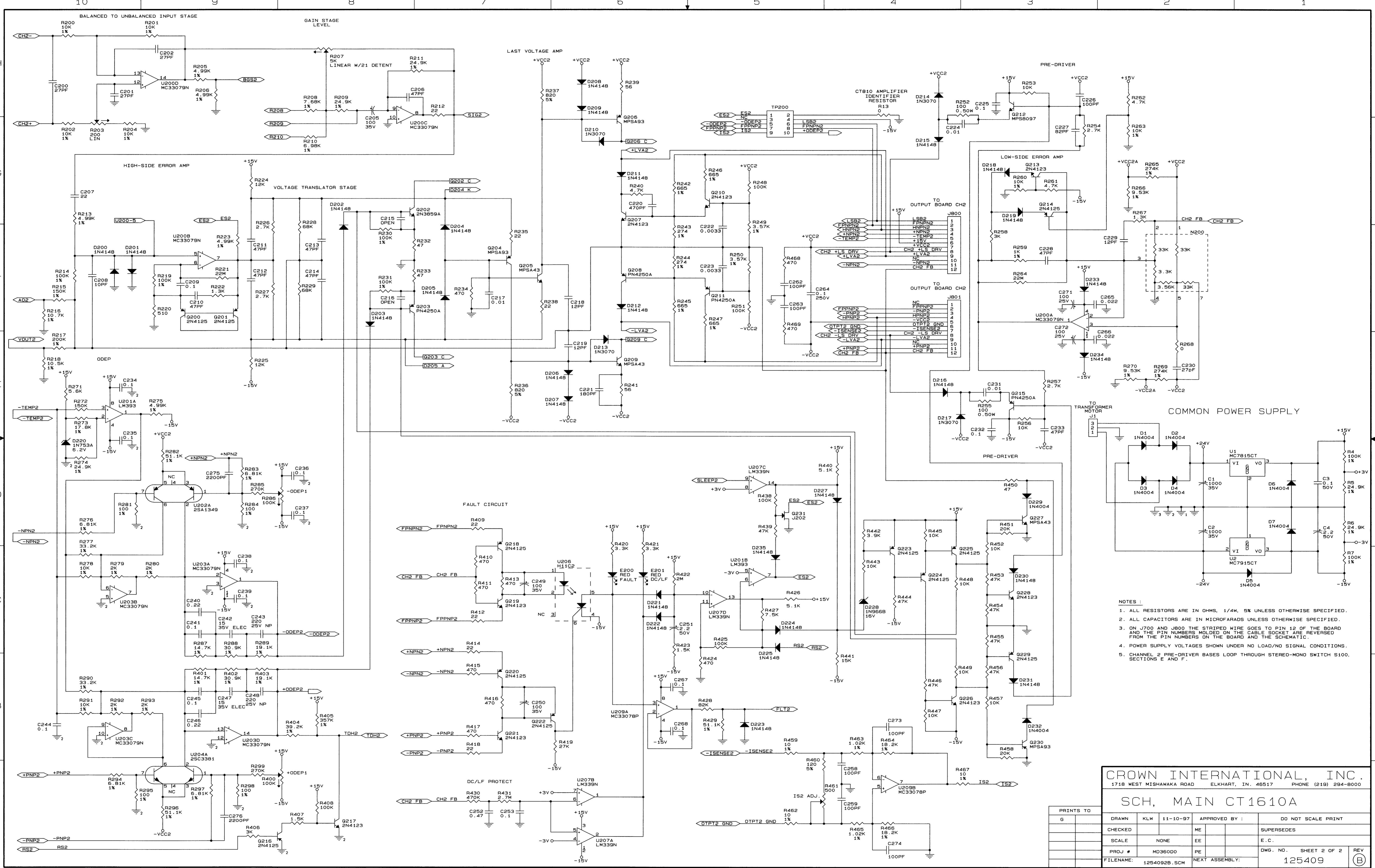
| EAT # | ZONE | REV | DESCRIPTION | DATE | BY | CHK | ME | EE | PE |
|-------|------|-----|---------------------------------|----------|-----|-----|----|----|----|
| | | A | INITIAL RELEASE | 11-04-97 | KLW | ILM | | | EB |
| | | B | ADDED C175, C176, C275, & C276. | 12-09-97 | TLM | KW | | | EB |

INACTIVE
For Reference Use Only

CROWN INTERNATIONAL, INC.
1718 WEST MISHAWAKA ROAD ELKHART, IN. 46517 PHONE (219) 294-8000

SCH, MAIN CT1610A

| | |
|---------------|--------------------------|
| PRINTS TO | G |
| DRAWN | KLW 11-10-97 |
| CHECKED | TLM 11-11-97 |
| SCALE | NONE |
| PROJ # | MD36000 |
| FILENAME: | 1254091B.SCM |
| APPROVED BY : | DO NOT SCALE PRINT |
| | SUPERSEDES 125409 REV. A |
| | E. C. |
| | DWG. NO. SHEET 1 OF 2 |
| | 125409 |



- NOTES:
1. ALL RESISTORS ARE IN OHMS, 1/4W, 5% UNLESS OTHERWISE SPECIFIED.
 2. ALL CAPACITORS ARE IN MICROFARADS UNLESS OTHERWISE SPECIFIED.
 3. ON J700 AND J800 THE STRIPED WIRE GOES TO PIN 12 OF THE BOARD AND THE PIN NUMBERS MOLDED ON THE CABLE SOCKET ARE REVERSED FROM THE PIN NUMBERS ON THE BOARD AND THE SCHEMATIC.
 4. POWER SUPPLY VOLTAGES SHOWN UNDER NO LOAD/NO SIGNAL CONDITIONS.
 5. CHANNEL 2 PRE-DRIVER BASES LOOP THROUGH STEREO-MONO SWITCH S100, SECTIONS E AND F.

CROWN INTERNATIONAL, INC.
 1718 WEST MISHAWAKA ROAD ELKHART, IN. 46517 PHONE (219) 294-8000

SCH. MAIN CT1610A

| | |
|--------------------|--------------|
| PRINTS TO | G |
| DRAWN | KLW 11-10-97 |
| CHECKED | ME |
| SCALE | NONE |
| PROJ # | MD3600 |
| FILENAME: | 1254092B.SCM |
| APPROVED BY : | EE |
| DO NOT SCALE PRINT | |
| SUPERSEDES | |
| E. C. | |
| DWG. NO. | SHEET 2 OF 2 |
| REV | 125409 |


**CT1610A Main Module 102789 Information On Following Pages
Documentation, Component Map, Schematic**

| E.C.N. | ZONE | REV. | DESCRIPTION | DATE | BY | APPROVALS | | | |
|--------|------|------|---|----------|-----|-----------|----|----|----|
| | | | | | | CHK | ME | EE | PE |
| | | A | INITIAL RELEASE | 06/09/97 | TLM | KW | | PW | TS |
| | | B | CHG. WATT. ON R327, R427 FROM 1W TO .25W. | 08/04/97 | DWM | JLM | | | TS |

UNLESS OTHERWISE SPECIFIED, THE FINISHED PWA SHALL MEET:
IPC-A-610_ CLASS 2

NOTES:

1. SCHEMATIC DRAWING NUMBER 102789.
2. PWB PART NUMBER 102756-1.
3. PWA PART NUMBER 102789-1.
4. ALL LEADS SHALL BE TRIMMED TO 0.093" OR LESS.
5. POSITION COMPONENTS AS SHOWN ON COMPONENT MAP.
6. INSERT 8 PIN IC SOCKET (C 3451-9) AT REFERENCE DESIGNATION LOCATION U3. IC IS INSTALLED ON A LATER ASSEMBLY.
7. REMOVE SOLDER OR PREVENT SOLDER FROM ACCUMULATING IN HOLES INDICATED ON THE COMPONENT MAP.
8. INSTALL HEATSINK (C 9494-3) AT REFERENCE DESIGNATION LOCATIONS U1 AND U2.
9. INSTALL CABLE TIE (C 8812-7) AT REFERENCE DESIGNATION LOCATIONS J700, J701, J800 AND J801.
 - 9A. USE A 0.25" DIAMETER ROD AS A GAUGE TO CHECK THE TIGHTNESS OF THE CABLES.
ON THE COMPONENT SIDE PRESS THE CABLE AGAINST THE BOARD. THE GAUGE SHOULD NOT FIT UNDER THE CABLE TIE.
10. U102, U104, U202 AND U204 ARE ALTERNATE COMPONENT PARTS.
11. THE CROWN PART NUMBER FOR THIS MODULE SHALL BE MARKED ON THE P.C. BOARD AND SHALL BE PERMANENT.



CAUTION

STATIC CAN DAMAGE COMPONENTS!

DO NOT HANDLE

UNLESS WRIST STRAP IS WORN

THESE DRAWINGS AND SPECIFICATIONS ARE THE PROPERTY OF CROWN INTERNATIONAL, INC. AND SHALL NOT BE REPRODUCED, COPIED, OR USED AS THE BASIS FOR THE MANUFACTURE OR SALE OF APPARATUS OR DEVICES WITHOUT PERMISSION.

| | | | | | | | | | |
|--------------------------|--|---|---------|----------|--------------|----------------------|--------------------|--|--------------------------------|
| CROWN INTERNATIONAL INC. | | | | | | | | | |
| PRINTS TO | | 1718 WEST MISHAWAKA ROAD ELKHART, INDIANA 46517 | | | | PHONE (219) 294-8000 | | | |
| K | | PWA; CT1610A MAIN | | | | | | TOL. UNLESS SPECIFIED X.XX - ± 0.020 X.XXX - ± 0.010 DRILLS - ± 0.003 | |
| | | DRAWN | TLM | 06/09/97 | APPROVED BY: | | DO NOT SCALE PRINT | | |
| | | CHECKED | KW | 06/10/97 | ME | | SUPERSEDES | | |
| | | SCALE | NONE | | EE | PW | 06/11/97 | E.C.N. | |
| | | PROJ # | MD360D0 | | PE | TS | 06/12/97 | DWG. NO. | SHEET 1 CONT. ON SHEET 2 |
| | | NEXT ASSEMBLY | | | | | | 102789 | (B) |

INACTIVE
For Reference Use Only

PARTS LIST

| C. P. N. | DESCRIPTION | QTY | REFERENCE DESIGNATION |
|--------------|--------------------------|-----|--|
| A10124-24 | WIRE, #24 SOLID BUS | 8" | R12, R13, R16B, R26B |
| A10265-10001 | 100. OHM .25W 1 MF T/R | 8 | R181, R184, R195, R198, R281, R284, R295, R298 |
| A10265-10011 | 1.0 KOHM .25W 1 MF T/R | 5 | R159, R25, R259, R367, R467, |
| A10265-10021 | 10. KOHM .25W 1 MF T/R | 16 | R100, R101, R102, R104, R160, R163, R178, R191, R200, R201, R202, R204, R260, R263, R278, R291 |
| A10265-10031 | 100. KOHM .25W 1 MF T/R | 10 | R114, R119, R130, R131, R214, R219, R230, R231, R4, R7 |
| A10265-10521 | 10.5KOHM .25W 1% MF T/R | 2 | R118, R218 |
| A10265-10721 | 10.7KOHM .25W 1% MF T/R | 2 | R116, R216 |
| A10265-10R01 | 10.0 OHM .25W 1 MF T/R | 4 | R359, R362, R459, R462 |
| A10265-14721 | 14.7 KOHM .25W 1% MF T/R | 4 | R187, R287, R301, R401 |
| A10265-15031 | 150 KOHM .25 1% MF T/R | 2 | R115, R215 |
| A10265-17821 | 17.8KOHM .25W 1% MF T/R | 2 | R173, R273 |
| A10265-18221 | 18.2KOHM .25W 1% MF T/R | 4 | R364, R366, R464, R466 |
| A10265-19121 | 19.1KOHM .25W 1% MF T/R | 4 | R189, R289, R303, R403 |
| A10265-20011 | 2.0 KOHM .25W 1% MF T/R | 8 | R179, R180, R192, R193, R279, R280, R292, R293 |
| A10265-20031 | 200. KOHM .25W 1 MF T/R | 2 | R117, R217 |
| A10265-24921 | 24.9 KOHM .25W 1% MF T/R | 8 | R109, R111, R174, R209, R211, R274, R5, R6 |
| A10265-27401 | 274. OHM .25W 1% MF T/R | 4 | R143, R144, R243, R244 |
| A10265-27431 | 274. KOHM .25W 1% MF T/R | 4 | R165, R169, R265, R269 |
| A10265-30111 | 3.01KOHM .25W 1 MF T/R | 4 | R363, R365, R463, R465 |
| A10265-30921 | 30.9 KOHM .25W 1% MF T/R | 4 | R188, R288, R302, R402 |
| A10265-33221 | 33.2KOHM .25W 1% MF T/R | 4 | R177, R190, R277, R290 |
| A10265-35711 | 3.57KOHM .25W 1 MF T/R | 4 | R149, R150, R249, R250 |
| A10265-35731 | 357. KOHM .25W 1 MF T/R | 2 | R305, R405 |
| A10265-39221 | 39.2KOHM .25W 1% MF T/R | 2 | R304, R404 |
| A10265-46421 | 46.4 KOHM .25W 1% MF T/R | 1 | R1 |
| A10265-49911 | 4.99KOHM .25W 1 MF T/R | 10 | R105, R106, R113, R123, R175, R205, R206, R213, R223, R275, |
| A10265-51121 | 51.1 KOHM .25W 1% MF T/R | 6 | R182, R196, R282, R296, R329, R429 |
| A10265-53621 | 53.6 KOHM .25W 1% MF T/R | 1 | R2 |
| A10265-66501 | 665. OHM .25W 1 MF T/R | 8 | R142, R145, R146, R147, R242, R245, R246, R247 |
| A10265-68111 | 6.81KOHM .25W 1% MF T/R | 8 | R176, R183, R194, R197, R276, R283, R294, R297 |
| A10265-69811 | 6.98 KOHM .25W 1% MF T/R | 2 | R110, R210 |
| A10265-76811 | 7.68 KOHM .25W 1% MF T/R | 2 | R108, R208 |
| A10265-95311 | 9.53KOHM .25W 1% MF T/R | 4 | R166, R170, R266, R270 |
| A10266-1031 | 10. KOHM .25W 5% CF T/R | 19 | R153, R156, R24, R253, R256, R343, R345, R347, R348, R349, R352, R357, R443, R445, R447, |

INACTIVE

For Reference Use Only

CROWN INTERNATIONAL INC.

1718 WEST MISHAWAKA ROAD ELKHART, INDIANA 46517 PHONE (219) 294-8000

THESE DRAWINGS AND SPECIFICATIONS ARE THE PROPERTY OF CROWN INTERNATIONAL, INC. AND SHALL NOT BE REPRODUCED, COPIED, OR USED AS THE BASIS FOR THE MANUFACTURE OR SALE OF APPARATUS OR DEVICES WITHOUT PERMISSION.

| | | | | | |
|-------|---------|----------|----------|------------------|-----|
| DRAWN | TLM | 06-09-97 | DWG. NO. | SHEET 2 | REV |
| PROJ. | MD360D8 | | 102789 | CONT. ON SHEET 3 | (B) |

PARTS LIST

| C. P. N. | DESCRIPTION | QTY | REFERENCE DESIGNATION |
|--------------|------------------------------|-----|--|
| | | | R448, R449, R452, R457 |
| A10266-1041 | 100. KOHM .25W 5% CF25 T/R | 12 | R148, R151, R20, R21, R248, R251, R308, R325, R338, R408, R425, R438 |
| A10266-1051 | 1.0 MOHM .25W 5 CF T/R | 5 | R10, R17, R22, R8, R9 |
| A10266-1211 | 120. OHM .25W 5 CF T/R | 2 | R360, R460 |
| A10266-1231 | 12. KOHM .25W 5% CF T/R | 4 | R124, R125, R224, R225 |
| A10266-1321 | 1.3 KOHM .25W 5 CF T/R | 4 | R122, R167, R222, R267 |
| A10266-1521 | 1.5 KOHM .25W 5% CF T/R | 4 | R307, R323, R407, R423 |
| A10266-1541 | 150. KOHM .25W 5% CF T/R | 2 | R172, R272 |
| A10266-2031 | 20. KOHM .25W 5 CF T/R | 6 | R341, R351, R358, R441, R451, R458 |
| A10266-2051 | 2.0 MOHM .25W 5 CF T/R | 3 | R23, R322, R422 |
| A10266-2201 | 22.0 OHM .25W 5 CF T/R | 6 | R112, R135, R138, R212, R235, R238 |
| A10266-2421 | 2.4 KOHM .25W 5 CF T/R | 2 | R18, R19 |
| A10266-2721 | 2.7 KOHM .25W 5 CF T/R | 8 | R126, R127, R154, R157, R226, R227, R254, R257 |
| A10266-2731 | 27. KOHM .25W 5 CF T/R | 2 | R319, R419 |
| A10266-2741 | 270. KOHM .25W 5% CF25 T/R | 4 | R185, R199, R285, R299 |
| A10266-2751 | 2.7 MOHM .25W 5% CF T/R | 2 | R331, R431 |
| A10266-3021 | 3.0 KOHM .25W 5 CF T/R | 4 | R158, R258, R306, R406 |
| A10266-3321 | 3.3 KOHM .25W 5% CF T/R | 4 | R320, R321, R420, R421 |
| A10266-3921 | 3.9 KOHM .25W 5% CF T/R | 4 | R14, R15, R342, R442 |
| A10266-4701 | 47.0 OHM .25W 5 CF T/R | 6 | R132, R133, R232, R233, R350, R450 |
| A10266-4711 | 470. OHM .25W 5% CF T/R | 20 | R134, R234, R310, R311, R313, R315, R316, R317, R324, R368, R369, R410, R411, R413, R415, R416, R417, R424, R468, R469. |
| A10266-4721 | 4.7 KOHM .25W 5% CF T/R | 6 | R140, R161, R162, R240, R261, R262 |
| A10266-4731 | 47. KOHM .25W 5% CF25 T/R | 14 | R339, R344, R346, R353, R354, R355, R356, R439, R444, R446, R453, R454, R455, R456 |
| A10266-4741 | 470. KOHM .25W 5% CF T/R | 2 | R330, R430 |
| A10266-5111 | 510. OHM .25W 5 CF T/R | 2 | R120, R220 |
| A10266-5121 | 5.1 KOHM .25W 5 CF T/R | 4 | R326, R340, R426, R440 |
| A10266-5601 | 56.0 OHM .25W 5% CF T/R | 4 | R139, R141, R239, R241 |
| A10266-5621 | 5.6 KOHM .25W 5% CF T/R | 2 | R171, R271 |
| A10266-5641 | 560. KOHM .25W 5% CF T/R | 1 | R16 |
| A10266-6831 | 68. KOHM .25W 5% CF T/R | 4 | R128, R129, R228, R229 |
| A10266-7521 | 7.5 KOHM .25W 5% CF T/R | 2 | R327, R427 |
| A10266-8211 | 820. OHM .25W 5% CF T/R | 4 | R136, R137, R236, R237 |
| A10266-8231 | 82. KOHM .25W 5% CF T/R | 2 | R328, R428 |
| A10266-9111 | 910. OHM .25W 5 CF T/R | 1 | R11 |
| A10434-104JD | .1UF 250V 5% MTL POLY FILM T | 2 | C164, C264 |

INACTIVE

For Reference Use Only

CROWN INTERNATIONAL INC.

1718 WEST MISHAWAKA ROAD ELKHART, INDIANA 46517 PHONE (219) 294-8000

THESE DRAWINGS AND SPECIFICATIONS ARE THE PROPERTY OF CROWN INTERNATIONAL, INC. AND SHALL NOT BE REPRODUCED, COPIED, OR USED AS THE BASIS FOR THE MANUFACTURE OR SALE OF APPARATUS OR DEVICES WITHOUT PERMISSION.

| | | |
|-------|---------|----------|
| DRAWN | TLM | 08-09-97 |
| PROJ. | MD360D8 | |

| | |
|----------|--------|
| DWG. NO. | 102789 |
|----------|--------|

| |
|----------|
| SHEET 3 |
| CONT. ON |
| SHEET 4 |

REV


PARTS LIST

| C. P. N. | DESCRIPTION | QTY | REFERENCE DESIGNATION |
|----------|------------------------------|-----|--|
| C 2851-1 | RECTIFIER, 1N4004 SILICON T/ | 11 | D1, D129, D132, D2, D229, D232, D3, D4, D5, D6, D7 |
| C 3181-2 | DIODE, 1N4148 T/R | 57 | D10, D100, D101, D102, D103, D104, D105, D106, D107, D108, D109, D11, D111, D112, D115, D116, D118, D119, D12, D121, D122, D123, D124, D125, D127, D13, D130, D131, D133, D134, D200, D201, D202, D203, D204, D205, D206, D207, D208, D209, D211, D212, D215, D216, D218, D219, D221, D222, D223, D224, D225, D227, D230, D231, D233, D234, D9 |
| C 3451-9 | IC SOCKET, 8PIN DIP 2-640463 | 1 | U3X |
| C 3533-4 | DIODE, 1N966B 16V ZENER T/R | 2 | D128, D228 |
| C 3578-9 | MPSA93 200V PNP T/R | 6 | Q104, Q106, Q130, Q204, Q206, Q230 |
| C 3625-8 | 2N4125 30V PNP T/R | 22 | Q100, Q101, Q114, Q116, Q118, Q120, Q122, Q123, Q124, Q125, Q129, Q200, Q201, Q214, Q216, Q218, Q220, Q222, Q223, Q224, Q225, Q229 |
| C 3786-8 | MPS4250A 40V PNP T/R | 8 | Q103, Q108, Q111, Q115, Q203, Q208, Q211, Q215 |
| C 3810-6 | MPSA42 300V NPN T/R | 6 | Q105, Q109, Q127, Q205, Q209, Q227 |
| C 4303-1 | 1000UF 35V AXIAL CAP | 2 | C1, C2 |
| C 4345-2 | LM339N VOLT COMPARATOR | 2 | U107, U207 |
| C 5061-4 | DIODE, 1N3070 10K/T&R | 8 | D110, D113, D114, D117, D210, D213, D214, D217 |
| C 5062-2 | 100KOHM LINEAR TRIMPOT | 4 | R186, R286, R300, R400 |
| C 5082-0 | DIODE, 1N4733A 5.1V ZENER T | 1 | D8 |
| C 5095-2 | MC7815CT +15V. REG | 1 | U1 |
| C 5096-0 | MC7915CT -15V. REG | 1 | U2 |
| C 5215-6 | 22. MOHM .25W 5 THICK FILM T | 4 | R121, R164, R221, R264 |
| C 5311-3 | 22UF 50V 20% NP VERT T/A | 2 | C107, C207 |
| C 5362-6 | 2.2UF 50V VERT ELECT T/A | 3 | C151, C251, C4 |
| C 5891-4 | MTS105 THERMAL SENSE T/R | 4 | Q107, Q110, Q207, Q210 |
| C 6048-0 | 500 OHM PIHER TRIM | 2 | R361, R461 |
| C 6411-0 | H11C2 OPTO SCR | 2 | U106, U206 |
| C 6564-6 | 10P DBLROW UNSHRD HDR 87230- | 2 | TP100, TP200 |
| C 6781-6 | 6P3T MONO/STEREO SWITCH | 1 | S2 |
| C 6802-0 | .47UF 50V AXIAL CER T/R 474 | 2 | C152, C252 |
| C 6804-6 | .1UF 50V AXIAL CER T/R 104 | 24 | C134, C135, C136, C137, C138, C139, C141, C144, C145, C160, C161, C234, C235, C236, C237. |

INACTIVE

For Reference Use Only

CROWN INTERNATIONAL INC.

1718 WEST MISHAWAKA ROAD ELKHART, INDIANA 46517 PHONE (219) 294-8000

THESE DRAWINGS AND SPECIFICATIONS ARE THE PROPERTY OF CROWN INTERNATIONAL, INC. AND SHALL NOT BE REPRODUCED, COPIED, OR USED AS THE BASIS FOR THE MANUFACTURE OR SALE OF APPARATUS OR DEVICES WITHOUT PERMISSION.

| | | |
|-------|---------|----------|
| DRAWN | TLM | 08-09-97 |
| PROJ. | MD360DB | |

| | |
|----------|--------|
| DWG. NO. | 102789 |
|----------|--------|

| |
|----------|
| SHEET 4 |
| CONT. ON |
| SHEET 6 |

REV
Ⓟ

PARTS LIST

| C. P. N. | DESCRIPTION | QTY | REFERENCE DESIGNATION |
|----------|------------------------------|-----|-------------------------------|
| | | | C238, C239, C241, C244, C245, |
| | | | C267, C268, C3, C5 |
| C 6805-3 | .022UF 100V AXIALCER T/R 223 | 8 | C103, C104, C115, C116, C215, |
| | | | C216, C265, C266 |
| C 6806-1 | .01UF 100V AXIAL CER T/R 103 | 6 | C117, C124, C131, C217, C224, |
| | | | C231 |
| C 6807-9 | .001UF 100V 10% AXL CER T/R | 4 | C122, C123, C222, C223 |
| C 6808-7 | 470.PF 100V 5% NPO AXL CER T | 2 | C120, C220 |
| C 6810-3 | 180PF 100V AXIAL CER T/R 181 | 2 | C121, C221 |
| C 6811-1 | 100PF 200V 10% NPO AXL CER T | 11 | C126, C158, C159, C162, C163, |
| | | | C226, C258, C259, C262, C263, |
| | | | C8 |
| C 6812-9 | 47PF 200V 10% NPO AXL CER | 16 | C106, C110, C111, C112, C113, |
| | | | C114, C128, C133, C206, C210, |
| | | | C211, C212, C213, C214, C228, |
| | | | C233 |
| C 6813-7 | 27PF 200V 10% NPO AXIAL CER | 8 | C100, C101, C102, C130, C200, |
| | | | C201, C202, C230 |
| C 6814-5 | 12PF 200V AXIAL CER T/R 120 | 6 | C118, C119, C129, C218, C219, |
| | | | C229 |
| C 6950-7 | 82PF 200V 5% NPO AXIAL CER T | 2 | C127, C227 |
| C 7444-0 | LM393 DUAL COMPARATOR | 2 | U101, U201 |
| C 7458-0 | 2N4123 30V NPN T/R | 12 | Q113, Q117, Q119, Q121, Q126, |
| | | | Q128, Q213, Q217, Q219, Q221, |
| | | | Q226, Q228 |
| C 7526-4 | 3POS .1 CENTER MTA HEADER | 1 | J1 |
| C 7558-7 | MC33079P QUAD LOW NOISE OP A | 2 | U103, U203 |
| C 7597-5 | J202 N-CHANNEL JFET | 2 | Q131, Q231 |
| C 7636-1 | MC33078P DUAL LOW NOISE OP A | 3 | U109, U209, U4 |
| C 7779-9 | 22. OHM .25W 5% FU/FP T/R | 8 | R309, R312, R314, R318, R409, |
| | | | R412, R414, R418 |
| C 7960-5 | DPDT 3POS PC SLIDE SWITCH | 1 | S1 |
| C 7964-7 | .22UF 100V AXIAL CER CAP T/R | 4 | C140, C146, C240, C246 |
| C 8182-5 | 1N753A 6.2V .5W ZENER DIODE | 2 | D120, D220 |
| C 8576-8 | 100UF 35V 10% ALUM ELECT T/A | 6 | C105, C149, C150, C205, C249, |
| | | | C250 |
| C 8812-7 | 5.5" CABLE TIE | 4 | HW10, HW7, HW8, HW9 |
| C 8836-6 | 100 OHM .5W 5% FU/FP T/R | 4 | R152, R155, R252, R255 |
| C 8897-8 | .1UF 100V 20% Z5U RAD CER T/ | 11 | C10, C109, C125, C132, C153, |
| | | | C209, C225, C232, C253, C6, |
| | | | C9 |
| C 9079-2 | 200.OHM TOP ADJ CERMET TRIMM | 2 | R103, R203 |
| C 9464-6 | 10PF 100V 5% NPO RAD CER T/R | 2 | C108, C208 |
| C 9494-3 | HEATSINK, T0220 PLUG IN | 2 | U1X, U2X |
| C 9857-1 | LED, RED T1 .1 LEAD SPACE T/ | 4 | E100, E101, E200, E201 |
| C10208-4 | 100.UF 25V 20% RAD ELECT T/R | 5 | C171, C172, C271, C272, C7, |
| C10570-7 | 20 PIN HDR PICOFLEX TIN | 1 | J2A |
| | | | |
| | | | |
| | | | |

INACTIVE

For Reference Use Only

THESE DRAWINGS AND SPECIFICATIONS ARE THE PROPERTY OF CROWN INTERNATIONAL, INC. AND SHALL NOT BE REPRODUCED, COPIED, OR USED AS THE BASIS FOR THE MANUFACTURE OR SALE OF APPARATUS OR DEVICES WITHOUT PERMISSION.

CROWN INTERNATIONAL INC.

1718 WEST MISHAWAKA ROAD ELKHART, INDIANA 46517 PHONE (219) 294-8000

| | | | | | |
|-------|---------|----------|----------|------------------|-----|
| DRAWN | TLM | 06-09-97 | DWG. NO. | SHEET 5 | REV |
| PROJ. | MD360D0 | | 102789 | CONT. ON SHEET 6 | (B) |

PARTS LIST

| REF DES | C. P. N. | DESCRIPTION | MAP LOC. |
|---------|----------|---------------------------------|----------|
| 1 | 102756-1 | PWB; CT'10A MAIN. . . | |
| C1 | C 4303-1 | 1000UF 35V AXIAL CAP | H 4 |
| C2 | C 4303-1 | 1000UF 35V AXIAL CAP | I 4 |
| C3 | C 6804-6 | .1UF 50V AXIAL CER T/R 104 | J 5 |
| C4 | C 5362-6 | 2.2UF 50V VERT ELECT T/A | J 5 |
| C5 | C 6804-6 | .1UF 50V AXIAL CER T/R 104 | I 2 |
| C6 | C 8897-8 | .1UF 100V 20% Z5U RAD CER T/R | E 1 |
| C7 | C10208-4 | 100. UF 25V 20% RAD ELECT T/R | G 5 |
| C8 | C 6811-1 | 100PF 200V 10% NPO AXL CER T/R | E 6 |
| C9 | C 8897-8 | .1UF 100V 20% Z5U RAD CER T/R | I 6 |
| C10 | C 8897-8 | .1UF 100V 20% Z5U RAD CER T/R | H 5 |
| C100 | C 6813-7 | 27PF 200V 10% NPO AXIAL CER | J 3 |
| C101 | C 6813-7 | 27PF 200V 10% NPO AXIAL CER | J 2 |
| C102 | C 6813-7 | 27PF 200V 10% NPO AXIAL CER | J 2 |
| C103 | C 6805-3 | .022UF 100V AXIALCER T/R 223 | J 2 |
| C104 | C 6805-3 | .022UF 100V AXIALCER T/R 223 | K 3 |
| C105 | C 8576-8 | 100UF 35V 10% ALUM ELECT T/A | I 1 |
| C106 | C 6812-9 | 47PF 200V 10% NPO AXL CER | J 2 |
| C107 | C 5311-3 | 22UF 50V 20% NP VERT T/A | K 1 |
| C108 | C 9464-6 | 10PF 100V 5% NPO RAD CER T/R | K 2 |
| C109 | C 8897-8 | .1UF 100V 20% Z5U RAD CER T/R | J 2 |
| C110 | C 6812-9 | 47PF 200V 10% NPO AXL CER | K 2 |
| C111 | C 6812-9 | 47PF 200V 10% NPO AXL CER | L 3 |
| C112 | C 6812-9 | 47PF 200V 10% NPO AXL CER | L 2 |
| C113 | C 6812-9 | 47PF 200V 10% NPO AXL CER | L 3 |
| C114 | C 6812-9 | 47PF 200V 10% NPO AXL CER | L 3 |
| C115 | C 6805-3 | .022UF 100V AXIALCER T/R 223 | L 3 |
| C116 | C 6805-3 | .022UF 100V AXIALCER T/R 223 | L 2 |
| C117 | C 6806-1 | .01UF 100V AXIAL CER T/R 103 | M 3 |
| C118 | C 6814-5 | 12PF 200V AXIAL CER T/R 120 | M 2 |
| C119 | C 6814-5 | 12PF 200V AXIAL CER T/R 120 | M 3 |
| C120 | C 6808-7 | 470. PF 100V 5% NPO AXL CER T/R | P 5 |
| C121 | C 6810-3 | 180PF 100V AXIAL CER T/R 181 | M 4 |
| C122 | C 6807-9 | .001UF 100V 10% AXL CER T/R | P 5 |
| C123 | C 6807-9 | .001UF 100V 10% AXL CER T/R | O 5 |
| C124 | C 6806-1 | .01UF 100V AXIAL CER T/R 103 | K 4 |
| C125 | C 8897-8 | .1UF 100V 20% Z5U RAD CER T/R | K 4 |
| C126 | C 6811-1 | 100PF 200V 10% NPO AXL CER T/R | K 4 |
| C127 | C 6950-7 | 82PF 200V 5% NPO AXIAL CER T/R | K 4 |
| C128 | C 6812-9 | 47PF 200V 10% NPO AXL CER | K 3 |
| C129 | C 6814-5 | 12PF 200V AXIAL CER T/R 120 | K 3 |
| C130 | C 6813-7 | 27PF 200V 10% NPO AXIAL CER | K 3 |
| C131 | C 6806-1 | .01UF 100V AXIAL CER T/R 103 | K 3 |
| C132 | C 8897-8 | .1UF 100V 20% Z5U RAD CER T/R | K 3 |
| C133 | C 6812-9 | 47PF 200V 10% NPO AXL CER | K 3 |
| C134 | C 6804-6 | .1UF 50V AXIAL CER T/R 104 | P 3 |
| C135 | C 6804-6 | .1UF 50V AXIAL CER T/R 104 | O 3 |
| | | | |
| | | | |
| | | | |

INACTIVE

For Reference Use Only

THESE DRAWINGS AND SPECIFICATIONS ARE THE PROPERTY OF CROWN INTERNATIONAL, INC. AND SHALL NOT BE REPRODUCED, COPIED, OR USED AS THE BASIS FOR THE MANUFACTURE OR SALE OF APPARATUS OR DEVICES WITHOUT PERMISSION.

CROWN INTERNATIONAL INC.

1718 WEST MISHAWAKA ROAD ELKHART, INDIANA 46517 PHONE (219) 294-8000

| | | | | | |
|-------|---------|----------|----------|------------------|-----|
| DRAWN | TLM | 88-89-97 | DWG. NO. | SHEET 7 | REV |
| PROJ. | MD36000 | | 102789 | CONT. ON SHEET 8 | (B) |

PARTS LIST

| REF DES | C. P. N. | DESCRIPTION | MAP LOC. |
|---------|--------------|--------------------------------|----------|
| C136 | C 6804-6 | .1UF 50V AXIAL CER T/R 104 | O 2 |
| C137 | C 6804-6 | .1UF 50V AXIAL CER T/R 104 | P 2 |
| C138 | C 6804-6 | .1UF 50V AXIAL CER T/R 104 | O 4 |
| C139 | C 6804-6 | .1UF 50V AXIAL CER T/R 104 | P 4 |
| C140 | C 7964-7 | .22UF 100V AXIAL CER CAP T/R | O 4 |
| C141 | C 6804-6 | .1UF 50V AXIAL CER T/R 104 | O 4 |
| C142 | C10588-9 | 15UF 35V 20% NP RAD ELECT T/R | N 4 |
| C143 | C10587-1 | 220UF 25V 20% NP RAD ELECT T/R | N 5 |
| C144 | C 6804-6 | .1UF 50V AXIAL CER T/R 104 | P 3 |
| C145 | C 6804-6 | .1UF 50V AXIAL CER T/R 104 | P 4 |
| C146 | C 7964-7 | .22UF 100V AXIAL CER CAP T/R | P 4 |
| C147 | C10588-9 | 15UF 35V 20% NP RAD ELECT T/R | P 4 |
| C148 | C10587-1 | 220UF 25V 20% NP RAD ELECT T/R | P 5 |
| C149 | C 8576-8 | 100UF 35V 10% ALUM ELECT T/A | M 5 |
| C150 | C 8576-8 | 100UF 35V 10% ALUM ELECT T/A | M 4 |
| C151 | C 5362-6 | 2.2UF 50V VERT ELECT T/A | L 5 |
| C152 | C 6802-0 | .47UF 50V AXIAL CER T/R 474 | L 5 |
| C153 | C 8897-8 | .1UF 100V 20% Z5U RAD CER T/R | K 5 |
| C156 | | DO NOT INSTALL | M 4 |
| C157 | | DO NOT INSTALL | M 4 |
| C158 | C 6811-1 | 100PF 200V 10% NPO AXL CER T/R | N 4 |
| C159 | C 6811-1 | 100PF 200V 10% NPO AXL CER T/R | N 3 |
| C160 | C 6804-6 | .1UF 50V AXIAL CER T/R 104 | N 4 |
| C161 | C 6804-6 | .1UF 50V AXIAL CER T/R 104 | N 3 |
| C162 | C 6811-1 | 100PF 200V 10% NPO AXL CER T/R | I 4 |
| C163 | C 6811-1 | 100PF 200V 10% NPO AXL CER T/R | I 4 |
| C164 | A10434-104JD | .1UF 250V 5% MTL POLY FILM T/A | O 6 |
| C171 | C10208-4 | 100.UF 25V 20% RAD ELECT T/R | J 1 |
| C172 | C10208-4 | 100.UF 25V 20% RAD ELECT T/R | J 1 |
| C200 | C 6813-7 | 27PF 200V 10% NPO AXIAL CER | G 3 |
| C201 | C 6813-7 | 27PF 200V 10% NPO AXIAL CER | G 2 |
| C202 | C 6813-7 | 27PF 200V 10% NPO AXIAL CER | G 2 |
| C205 | C 8576-8 | 100UF 35V 10% ALUM ELECT T/A | H 1 |
| C206 | C 6812-9 | 47PF 200V 10% NPO AXL CER | G 2 |
| C207 | C 5311-3 | 22UF 50V 20% NP VERT T/A | F 1 |
| C208 | C 9464-6 | 10PF 100V 5% NPO RAD CER T/R | F 2 |
| C209 | C 8897-8 | .1UF 100V 20% Z5U RAD CER T/R | G 2 |
| C210 | C 6812-9 | 47PF 200V 10% NPO AXL CER | F 2 |
| C211 | C 6812-9 | 47PF 200V 10% NPO AXL CER | E 3 |
| C212 | C 6812-9 | 47PF 200V 10% NPO AXL CER | E 2 |
| C213 | C 6812-9 | 47PF 200V 10% NPO AXL CER | E 3 |
| C214 | C 6812-9 | 47PF 200V 10% NPO AXL CER | E 3 |
| C215 | C 6805-3 | .022UF 100V AXIALCER T/R 223 | E 3 |
| C216 | C 6805-3 | .022UF 100V AXIALCER T/R 223 | E 2 |
| C217 | C 6806-1 | .01UF 100V AXIAL CER T/R 103 | D 3 |
| C218 | C 6814-5 | 12PF 200V AXIAL CER T/R 120 | D 2 |
| C219 | C 6814-5 | 12PF 200V AXIAL CER T/R 120 | D 3 |
| | | | |
| | | | |
| | | | |

INACTIVE

For Reference Use Only

THESE DRAWINGS AND SPECIFICATIONS ARE THE PROPERTY OF CROWN INTERNATIONAL, INC. AND SHALL NOT BE REPRODUCED, COPIED, OR USED AS THE BASIS FOR THE MANUFACTURE OR SALE OF APPARATUS OR DEVICES WITHOUT PERMISSION.

CROWN INTERNATIONAL INC.

1718 WEST MISHAWAKA ROAD ELKHART, INDIANA 46517 PHONE (219) 294-8000

| | | | | | |
|-------|---------|----------|----------|------------------|-----|
| DRAWN | TLM | 06-09-97 | DWG. NO. | SHEET 8 | REV |
| PROJ. | MD360D8 | | 102789 | CONT. ON SHEET 9 | (B) |

PARTS LIST

| REF DES | C. P. N. | DESCRIPTION | MAP LOC. |
|---------|--------------|--------------------------------|----------|
| C220 | C 6808-7 | 470.PF 100V 5% NPO AXL CER T/R | A 5 |
| C221 | C 6810-3 | 180PF 100V AXIAL CER T/R 181 | D 4 |
| C222 | C 6807-9 | .001UF 100V 10% AXL CER T/R | A 5 |
| C223 | C 6807-9 | .001UF 100V 10% AXL CER T/R | B 5 |
| C224 | C 6806-1 | .01UF 100V AXIAL CER T/R 103 | F 4 |
| C225 | C 8897-8 | .1UF 100V 20% Z5U RAD CER T/R | F 4 |
| C226 | C 6811-1 | 100PF 200V 10% NPO AXL CER T/R | F 4 |
| C227 | C 6950-7 | 82PF 200V 5% NPO AXIAL CER T/R | F 4 |
| C228 | C 6812-9 | 47PF 200V 10% NPO AXL CER | F 3 |
| C229 | C 6814-5 | 12PF 200V AXIAL CER T/R 120 | F 3 |
| C230 | C 6813-7 | 27PF 200V 10% NPO AXIAL CER | F 3 |
| C231 | C 6806-1 | .01UF 100V AXIAL CER T/R 103 | F 3 |
| C232 | C 8897-8 | .1UF 100V 20% Z5U RAD CER T/R | F 3 |
| C233 | C 6812-9 | 47PF 200V 10% NPO AXL CER | F 3 |
| C234 | C 6804-6 | .1UF 50V AXIAL CER T/R 104 | B 3 |
| C235 | C 6804-6 | .1UF 50V AXIAL CER T/R 104 | A 3 |
| C236 | C 6804-6 | .1UF 50V AXIAL CER T/R 104 | A 2 |
| C237 | C 6804-6 | .1UF 50V AXIAL CER T/R 104 | B 2 |
| C238 | C 6804-6 | .1UF 50V AXIAL CER T/R 104 | A 4 |
| C239 | C 6804-6 | .1UF 50V AXIAL CER T/R 104 | B 4 |
| C240 | C 7964-7 | .22UF 100V AXIAL CER CAP T/R | A 4 |
| C241 | C 6804-6 | .1UF 50V AXIAL CER T/R 104 | A 4 |
| C242 | C10588-9 | 15UF 35V 20% NP RAD ELECT T/R | A 4 |
| C243 | C10587-1 | 220UF 25V 20% NP RAD ELECT T/R | A 4 |
| C244 | C 6804-6 | .1UF 50V AXIAL CER T/R 104 | B 3 |
| C245 | C 6804-6 | .1UF 50V AXIAL CER T/R 104 | B 4 |
| C246 | C 7964-7 | .22UF 100V AXIAL CER CAP T/R | B 4 |
| C247 | C10588-9 | 15UF 35V 20% NP RAD ELECT T/R | C 4 |
| C248 | C10587-1 | 220UF 25V 20% NP RAD ELECT T/R | C 5 |
| C249 | C 8576-8 | 100UF 35V 10% ALUM ELECT T/A | D 5 |
| C250 | C 8576-8 | 100UF 35V 10% ALUM ELECT T/A | D 4 |
| C251 | C 5362-6 | 2.2UF 50V VERT ELECT T/A | E 5 |
| C252 | C 6802-0 | .47UF 50V AXIAL CER T/R 474 | E 5 |
| C253 | C 8897-8 | .1UF 100V 20% Z5U RAD CER T/R | F 5 |
| C256 | | DO NOT INSTALL | D 4 |
| C257 | | DO NOT INSTALL | D 4 |
| C258 | C 6811-1 | 100PF 200V 10% NPO AXL CER T/R | C 4 |
| C259 | C 6811-1 | 100PF 200V 10% NPO AXL CER T/R | C 3 |
| C262 | C 6811-1 | 100PF 200V 10% NPO AXL CER T/R | H 4 |
| C263 | C 6811-1 | 100PF 200V 10% NPO AXL CER T/R | H 4 |
| C264 | A10434-104JD | .1UF 250V 5% MTL POLY FILM T/A | B 6 |
| C265 | C 6805-3 | .022UF 100V AXIALCER T/R 223 | F 3 |
| C266 | C 6805-3 | .022UF 100V AXIALCER T/R 223 | G 2 |
| C267 | C 6804-6 | .1UF 50V AXIAL CER T/R 104 | C 3 |
| C268 | C 6804-6 | .1UF 50V AXIAL CER T/R 104 | C 3 |
| C271 | C10208-4 | 100.UF 25V 20% RAD ELECT T/R | G 1 |
| C272 | C10208-4 | 100.UF 25V 20% RAD ELECT T/R | G 1 |
| | | | |
| | | | |
| | | | |

INACTIVE

For Reference Use Only

CROWN INTERNATIONAL INC.

1718 WEST MISHAWAKA ROAD ELKHART, INDIANA 46517 PHONE (219) 294-8800

DRAWN

TLM

06-09-97

DWG. NO.

SHEET 9

REV

CONT. ON

SHEET 10

②

PROJ.

MD380D8

102789

THESE DRAWINGS AND SPECIFICATIONS ARE THE PROPERTY OF CROWN INTERNATIONAL, INC. AND SHALL NOT BE REPRODUCED, COPIED, OR USED AS THE BASIS FOR THE MANUFACTURE OR SALE OF APPARATUS OR DEVICES WITHOUT PERMISSION.

PARTS LIST

| REF DES | C. P. N. | DESCRIPTION | MAP LOC. |
|---------|----------|-------------------------------|----------|
| D1 | C 2851-1 | RECTIFIER, 1N4004 SILICON T/R | G 4 |
| D2 | C 2851-1 | RECTIFIER, 1N4004 SILICON T/R | G 5 |
| D3 | C 2851-1 | RECTIFIER, 1N4004 SILICON T/R | G 4 |
| D4 | C 2851-1 | RECTIFIER, 1N4004 SILICON T/R | G 5 |
| D5 | C 2851-1 | RECTIFIER, 1N4004 SILICON T/R | J 4 |
| D6 | C 2851-1 | RECTIFIER, 1N4004 SILICON T/R | J 4 |
| D7 | C 2851-1 | RECTIFIER, 1N4004 SILICON T/R | J 5 |
| D8 | C 5082-0 | DIODE, 1N4733A 5.1V ZENER T/R | I 2 |
| D9 | C 3181-2 | DIODE, 1N4148 T/R | H 6 |
| D10 | C 3181-2 | DIODE, 1N4148 T/R | H 6 |
| D11 | C 3181-2 | DIODE, 1N4148 T/R | H 6 |
| D12 | C 3181-2 | DIODE, 1N4148 T/R | H 6 |
| D13 | C 3181-2 | DIODE, 1N4148 T/R | I 6 |
| D100 | C 3181-2 | DIODE, 1N4148 T/R | K 2 |
| D101 | C 3181-2 | DIODE, 1N4148 T/R | K 2 |
| D102 | C 3181-2 | DIODE, 1N4148 T/R | L 3 |
| D103 | C 3181-2 | DIODE, 1N4148 T/R | L 2 |
| D104 | C 3181-2 | DIODE, 1N4148 T/R | M 3 |
| D105 | C 3181-2 | DIODE, 1N4148 T/R | M 3 |
| D106 | C 3181-2 | DIODE, 1N4148 T/R | M 3 |
| D107 | C 3181-2 | DIODE, 1N4148 T/R | M 3 |
| D108 | C 3181-2 | DIODE, 1N4148 T/R | M 2 |
| D109 | C 3181-2 | DIODE, 1N4148 T/R | M 2 |
| D110 | C 5061-4 | DIODE, 1N3070 10K/T&R | M 2 |
| D111 | C 3181-2 | DIODE, 1N4148 T/R | O 5 |
| D112 | C 3181-2 | DIODE, 1N4148 T/R | P 5 |
| D113 | C 5061-4 | DIODE, 1N3070 10K/T&R | M 3 |
| D114 | C 5061-4 | DIODE, 1N3070 10K/T&R | K 4 |
| D115 | C 3181-2 | DIODE, 1N4148 T/R | K 4 |
| D116 | C 3181-2 | DIODE, 1N4148 T/R | K 3 |
| D117 | C 5061-4 | DIODE, 1N3070 10K/T&R | K 3 |
| D118 | C 3181-2 | DIODE, 1N4148 T/R | J 3 |
| D119 | C 3181-2 | DIODE, 1N4148 T/R | J 3 |
| D120 | C 8182-5 | 1N753A 6.2V .5W ZENER DIODE | O 3 |
| D121 | C 3181-2 | DIODE, 1N4148 T/R | L 5 |
| D122 | C 3181-2 | DIODE, 1N4148 T/R | L 5 |
| D123 | C 3181-2 | DIODE, 1N4148 T/R | L 6 |
| D124 | C 3181-2 | DIODE, 1N4148 T/R | L 6 |
| D125 | C 3181-2 | DIODE, 1N4148 T/R | L 6 |
| D127 | C 3181-2 | DIODE, 1N4148 T/R | L 6 |
| D128 | C 3533-4 | DIODE, 1N966B 16V ZENER T/R | L 5 |
| D129 | C 2851-1 | RECTIFIER, 1N4004 SILICON T/R | L 5 |
| D130 | C 3181-2 | DIODE, 1N4148 T/R | K 4 |
| D131 | C 3181-2 | DIODE, 1N4148 T/R | K 3 |
| D132 | C 2851-1 | RECTIFIER, 1N4004 SILICON T/R | L 5 |
| D133 | C 3181-2 | DIODE, 1N4148 T/R | J 1 |
| D134 | C 3181-2 | DIODE, 1N4148 T/R | J 2 |
| | | | |
| | | | |
| | | | |

INACTIVE

For Reference Use Only

THESE DRAWINGS AND SPECIFICATIONS ARE THE PROPERTY OF CROWN INTERNATIONAL, INC. AND SHALL NOT BE REPRODUCED, COPIED, OR USED AS THE BASIS FOR THE MANUFACTURE OR SALE OF APPARATUS OR DEVICES WITHOUT PERMISSION.

CROWN INTERNATIONAL INC.

1718 WEST MISHAWAKA ROAD ELKHART, INDIANA 46517 PHONE (219) 294-8000

| | | | | | |
|-------|---------|----------|----------|-------------------|-----|
| DRAWN | TLM | 06-09-97 | DWG. NO. | SHEET 10 | REV |
| PROJ. | MD360D8 | | 102789 | CONT. ON SHEET 11 | (B) |

PARTS LIST

| REF DES | C.P.N. | DESCRIPTION | MAP LOC. |
|---------|----------|-------------------------------|----------|
| D200 | C 3181-2 | DIODE, 1N4148 T/R | F 2 |
| D201 | C 3181-2 | DIODE, 1N4148 T/R | F 2 |
| D202 | C 3181-2 | DIODE, 1N4148 T/R | E 3 |
| D203 | C 3181-2 | DIODE, 1N4148 T/R | E 2 |
| D204 | C 3181-2 | DIODE, 1N4148 T/R | D 3 |
| D205 | C 3181-2 | DIODE, 1N4148 T/R | D 3 |
| D206 | C 3181-2 | DIODE, 1N4148 T/R | D 3 |
| D207 | C 3181-2 | DIODE, 1N4148 T/R | D 3 |
| D208 | C 3181-2 | DIODE, 1N4148 T/R | D 2 |
| D209 | C 3181-2 | DIODE, 1N4148 T/R | D 2 |
| D210 | C 5061-4 | DIODE, 1N3070 10K/T&R | D 2 |
| D211 | C 3181-2 | DIODE, 1N4148 T/R | B 5 |
| D212 | C 3181-2 | DIODE, 1N4148 T/R | A 5 |
| D213 | C 5061-4 | DIODE, 1N3070 10K/T&R | D 3 |
| D214 | C 5061-4 | DIODE, 1N3070 10K/T&R | F 4 |
| D215 | C 3181-2 | DIODE, 1N4148 T/R | F 4 |
| D216 | C 3181-2 | DIODE, 1N4148 T/R | F 3 |
| D217 | C 5061-4 | DIODE, 1N3070 10K/T&R | F 3 |
| D218 | C 3181-2 | DIODE, 1N4148 T/R | G 3 |
| D219 | C 3181-2 | DIODE, 1N4148 T/R | G 3 |
| D220 | C 8182-5 | 1N753A 6.2V .5W ZENER DIODE | A 3 |
| D221 | C 3181-2 | DIODE, 1N4148 T/R | E 5 |
| D222 | C 3181-2 | DIODE, 1N4148 T/R | E 5 |
| D223 | C 3181-2 | DIODE, 1N4148 T/R | E 6 |
| D224 | C 3181-2 | DIODE, 1N4148 T/R | E 6 |
| D225 | C 3181-2 | DIODE, 1N4148 T/R | E 6 |
| D227 | C 3181-2 | DIODE, 1N4148 T/R | E 6 |
| D228 | C 3533-4 | DIODE, 1N966B 16V ZENER T/R | E 5 |
| D229 | C 2851-1 | RECTIFIER, 1N4004 SILICON T/R | E 5 |
| D230 | C 3181-2 | DIODE, 1N4148 T/R | F 4 |
| D231 | C 3181-2 | DIODE, 1N4148 T/R | F 3 |
| D232 | C 2851-1 | RECTIFIER, 1N4004 SILICON T/R | E 5 |
| D233 | C 3181-2 | DIODE, 1N4148 T/R | G 1 |
| D234 | C 3181-2 | DIODE, 1N4148 T/R | G 2 |
| E100 | C 9857-1 | LED, RED T1 .1 LEAD SPACE T/R | M 5 |
| E101 | C 9857-1 | LED, RED T1 .1 LEAD SPACE T/R | M 5 |
| E200 | C 9857-1 | LED, RED T1 .1 LEAD SPACE T/R | D 5 |
| E201 | C 9857-1 | LED, RED T1 .1 LEAD SPACE T/R | D 5 |
| HW7 | C 8812-7 | 5.5" CABLE TIE | A 6 |
| HW8 | C 8812-7 | 5.5" CABLE TIE | C 6 |
| HW9 | C 8812-7 | 5.5" CABLE TIE | N 6 |
| HW10 | C 8812-7 | 5.5" CABLE TIE | P 6 |
| J1 | C 7526-4 | 3POS .1 CENTER MTA HEADER | I 6 |
| J2A | C10570-7 | 20 PIN HDR PICOFLEX TIN | I 3 |
| J2B | C10571-5 | 18 PIN HDR PICOFLEX TIN | I 2 |
| J700 | D 8681-5 | CABLE, 10 INCH 12 PIN MTA | P 6 |
| J701 | D 8680-7 | CABLE, 6 INCH 12 PIN MTA | N 6 |
| | | | |
| | | | |
| | | | |

INACTIVE

For Reference Use Only

CROWN INTERNATIONAL INC.

1718 WEST MISHAWAKA ROAD ELKHART, INDIANA 46517 PHONE (219) 294-8800

THESE DRAWINGS AND SPECIFICATIONS ARE THE PROPERTY OF CROWN INTERNATIONAL, INC. AND SHALL NOT BE REPRODUCED, COPIED, OR USED AS THE BASIS FOR THE MANUFACTURE OR SALE OF APPARATUS OR DEVICES WITHOUT PERMISSION.

| | | | | | |
|-------|---------|----------|----------|-------------------|-----|
| DRAWN | TLM | 06-09-97 | DWG. NO. | SHEET 11 | REV |
| PROJ. | MD36808 | | 102789 | CONT. ON SHEET 12 | (B) |

PARTS LIST

| REF DES | C. P. N. | DESCRIPTION | MAP LOC. |
|---------|----------|------------------------------|----------|
| J800 | D 8680-7 | CABLE, 6 INCH 12 PIN MTA | B 6 |
| J801 | D 8681-5 | CABLE, 10 INCH 12 PIN MTA | A 6 |
| J901X | 100375-1 | HDR, 14PIN, VERT, DOUBLE ROW | H 4 |
| N100 | D 6082-8 | RESISTOR NETWORK-C | L 3 |
| N200 | D 6082-8 | RESISTOR NETWORK-C | E 3 |
| Q100 | C 3625-8 | 2N4125 30V PNP T/R | K 2 |
| Q101 | C 3625-8 | 2N4125 30V PNP T/R | K 2 |
| Q102 | D 2961-7 | SPS8010 60V NPN T/R | M 4 |
| Q103 | C 3786-8 | MPS4250A 40V PNP T/R | M 2 |
| Q104 | C 3578-9 | MPSA93 200V PNP T/R | M 3 |
| Q105 | C 3810-6 | MPSA42 300V NPN T/R | M 2 |
| Q106 | C 3578-9 | MPSA93 200V PNP T/R | M 2 |
| Q107 | C 5891-4 | MTS105 THERMAL SENSE T/R | O 5 |
| Q108 | C 3786-8 | MPS4250A 40V PNP T/R | O 5 |
| Q109 | C 3810-6 | MPSA42 300V NPN T/R | M 4 |
| Q110 | C 5891-4 | MTS105 THERMAL SENSE T/R | O 5 |
| Q111 | C 3786-8 | MPS4250A 40V PNP T/R | O 5 |
| Q112 | D 2962-5 | MPSA18 45V NPN T/R | K 4 |
| Q113 | C 7458-0 | 2N4123 30V NPN T/R | J 4 |
| Q114 | C 3625-8 | 2N4125 30V PNP T/R | J 3 |
| Q115 | C 3786-8 | MPS4250A 40V PNP T/R | K 3 |
| Q116 | C 3625-8 | 2N4125 30V PNP T/R | O 1 |
| Q117 | C 7458-0 | 2N4123 30V NPN T/R | O 1 |
| Q118 | C 3625-8 | 2N4125 30V PNP T/R | M 5 |
| Q119 | C 7458-0 | 2N4123 30V NPN T/R | M 5 |
| Q120 | C 3625-8 | 2N4125 30V PNP T/R | M 4 |
| Q121 | C 7458-0 | 2N4123 30V NPN T/R | M 4 |
| Q122 | C 3625-8 | 2N4125 30V PNP T/R | M 4 |
| Q123 | C 3625-8 | 2N4125 30V PNP T/R | M 5 |
| Q124 | C 3625-8 | 2N4125 30V PNP T/R | M 4 |
| Q125 | C 3625-8 | 2N4125 30V PNP T/R | M 4 |
| Q126 | C 7458-0 | 2N4123 30V NPN T/R | L 4 |
| Q127 | C 3810-6 | MPSA42 300V NPN T/R | K 4 |
| Q128 | C 7458-0 | 2N4123 30V NPN T/R | M 4 |
| Q129 | C 3625-8 | 2N4125 30V PNP T/R | M 4 |
| Q130 | C 3578-9 | MPSA93 200V PNP T/R | L 4 |
| Q131 | C 7597-5 | J202 N-CHANNEL JFET | J 6 |
| Q200 | C 3625-8 | 2N4125 30V PNP T/R | F 2 |
| Q201 | C 3625-8 | 2N4125 30V PNP T/R | F 2 |
| Q202 | D 2961-7 | SPS8010 60V NPN T/R | D 4 |
| Q203 | C 3786-8 | MPS4250A 40V PNP T/R | D 2 |
| Q204 | C 3578-9 | MPSA93 200V PNP T/R | D 3 |
| Q205 | C 3810-6 | MPSA42 300V NPN T/R | C 2 |
| Q206 | C 3578-9 | MPSA93 200V PNP T/R | C 2 |
| Q207 | C 5891-4 | MTS105 THERMAL SENSE T/R | A 5 |
| Q208 | C 3786-8 | MPS4250A 40V PNP T/R | A 5 |
| Q209 | C 3810-6 | MPSA42 300V NPN T/R | D 4 |
| | | | |
| | | | |
| | | | |

INACTIVE

For Reference Use Only

CROWN INTERNATIONAL INC.

1718 WEST MISHAWAKA ROAD ELKHART, INDIANA 46517 PHONE (219) 294-8000

THESE DRAWINGS AND SPECIFICATIONS ARE THE PROPERTY OF CROWN INTERNATIONAL, INC. AND SHALL NOT BE REPRODUCED, COPIED, OR USED AS THE BASIS FOR THE MANUFACTURE OR SALE OF APPARATUS OR DEVICES WITHOUT PERMISSION.

| | | | | | |
|-------|---------|----------|----------|-------------------|-----|
| DRAWN | TLM | 88-89-97 | DWG. NO. | SHEET 12 | REV |
| PROJ. | MD360D8 | | 102789 | CONT. ON SHEET 13 | (B) |

PARTS LIST

| REF DES | C. P. N. | DESCRIPTION | MAP LOC. |
|---------|--------------|----------------------------|----------|
| Q210 | C 5891-4 | MTS105 THERMAL SENSE T/R | A 5 |
| Q211 | C 3786-8 | MPS4250A 40V PNP T/R | B 5 |
| Q212 | D 2962-5 | MPSA18 45V NPN T/R | F 4 |
| Q213 | C 7458-0 | 2N4123 30V NPN T/R | G 4 |
| Q214 | C 3625-8 | 2N4125 30V PNP T/R | G 3 |
| Q215 | C 3786-8 | MPS4250A 40V PNP T/R | F 3 |
| Q216 | C 3625-8 | 2N4125 30V PNP T/R | B 1 |
| Q217 | C 7458-0 | 2N4123 30V NPN T/R | B 1 |
| Q218 | C 3625-8 | 2N4125 30V PNP T/R | C 5 |
| Q219 | C 7458-0 | 2N4123 30V NPN T/R | C 5 |
| Q220 | C 3625-8 | 2N4125 30V PNP T/R | C 4 |
| Q221 | C 7458-0 | 2N4123 30V NPN T/R | C 4 |
| Q222 | C 3625-8 | 2N4125 30V PNP T/R | C 4 |
| Q223 | C 3625-8 | 2N4125 30V PNP T/R | D 5 |
| Q224 | C 3625-8 | 2N4125 30V PNP T/R | D 4 |
| Q225 | C 3625-8 | 2N4125 30V PNP T/R | D 4 |
| Q226 | C 7458-0 | 2N4123 30V NPN T/R | E 4 |
| Q227 | C 3810-6 | MPSA42 300V NPN T/R | F 4 |
| Q228 | C 7458-0 | 2N4123 30V NPN T/R | D 4 |
| Q229 | C 3625-8 | 2N4125 30V PNP T/R | D 4 |
| Q230 | C 3578-9 | MPSA93 200V PNP T/R | E 4 |
| Q231 | C 7597-5 | J202 N-CHANNEL JFET | G 6 |
| R1 | A10265-46421 | 46.4 KOHM .25W 1% MF T/R | E 2 |
| R2 | A10265-53621 | 53.6 KOHM .25W 1% MF T/R | F 2 |
| R4 | A10265-10031 | 100. KOHM .25W 1 MF T/R | G 5 |
| R5 | A10265-24921 | 24.9 KOHM .25W 1% MF T/R | G 5 |
| R6 | A10265-24921 | 24.9 KOHM .25W 1% MF T/R | F 5 |
| R7 | A10265-10031 | 100. KOHM .25W 1 MF T/R | F 5 |
| R8 | A10266-1051 | 1.0 MOHM .25W 5 CF T/R | H 2 |
| R9 | A10266-1051 | 1.0 MOHM .25W 5 CF T/R | H 2 |
| R10 | A10266-1051 | 1.0 MOHM .25W 5 CF T/R | H 2 |
| R11 | A10266-9111 | 910. OHM .25W 5 CF T/R | I 2 |
| R12 | A10124-24 | WIRE, #24 SOLID BUS | J 6 |
| R13 | A10124-24 | WIRE, #24 SOLID BUS | H 6 |
| R14 | A10266-3921 | 3.9 KOHM .25W 5% CF T/R | G 5 |
| R15 | A10266-3921 | 3.9 KOHM .25W 5% CF T/R | G 6 |
| R16 | A10266-5641 | 560. KOHM .25W 5% CF T/R | G 6 |
| R17 | A10266-1051 | 1.0 MOHM .25W 5 CF T/R | E 6 |
| R18 | A10266-2421 | 2.4 KOHM .25W 5 CF T/R | E 6 |
| R19 | A10266-2421 | 2.4 KOHM .25W 5 CF T/R | E 6 |
| R20 | A10266-1041 | 100. KOHM .25W 5% CF25 T/R | E 6 |
| R21 | A10266-1041 | 100. KOHM .25W 5% CF25 T/R | E 6 |
| R22 | A10266-1051 | 1.0 MOHM .25W 5 CF T/R | H 5 |
| R23 | A10266-2051 | 2.0 MOHM .25W 5 CF T/R | H 5 |
| R24 | A10266-1031 | 10. KOHM .25W 5% CF T/R | I 6 |
| R25 | A10265-10011 | 1.0 KOHM .25W 1 MF T/R | I 6 |
| R100 | A10265-10021 | 10. KOHM .25W 1 MF T/R | J 3 |
| | | | |
| | | | |
| | | | |

INACTIVE

For Reference Use Only

CROWN INTERNATIONAL INC.

1710 WEST MISHAWAKA ROAD ELKHART, INDIANA 46517 PHONE (219) 294-8000

THESE DRAWINGS AND SPECIFICATIONS ARE THE PROPERTY OF CROWN INTERNATIONAL, INC. AND SHALL NOT BE REPRODUCED, COPIED, OR USED AS THE BASIS FOR THE MANUFACTURE OR SALE OF APPARATUS OR DEVICES WITHOUT PERMISSION.

DRAWN

TLM

08-09-97

DWG. NO.

PROJ.

MD36808

102789

SHEET 13
CONT. ON
SHEET 14REV
(B)

PARTS LIST

| REF DES | C.P.N. | DESCRIPTION | MAP LOC. |
|---------|--------------|--------------------------------|----------|
| R101 | A10265-10021 | 10. KOHM .25W 1 MF T/R | J 3 |
| R102 | A10265-10021 | 10. KOHM .25W 1 MF T/R | J 3 |
| R103 | C 9079-2 | 200.OHM TOP ADJ CERMET TRIMMER | I 2 |
| R104 | A10265-10021 | 10. KOHM .25W 1 MF T/R | J 2 |
| R105 | A10265-49911 | 4.99KOHM .25W 1 MF T/R | I 3 |
| R106 | A10265-49911 | 4.99KOHM .25W 1 MF T/R | I 3 |
| R107 | 101051-1 | 5K. , 10%, LINEAR W/21 DETENT | J 2 |
| R108 | A10265-76811 | 7.68 KOHM .25W 1% MF T/R | I 1 |
| R109 | A10265-24921 | 24.9 KOHM .25W 1% MF T/R | I 1 |
| R110 | A10265-69811 | 6.98 KOHM .25W 1% MF T/R | I 1 |
| R111 | A10265-24921 | 24.9 KOHM .25W 1% MF T/R | K 2 |
| R112 | A10266-2201 | 22.0 OHM .25W 5 CF T/R | J 2 |
| R113 | A10265-49911 | 4.99KOHM .25W 1 MF T/R | K 2 |
| R114 | A10265-10031 | 100. KOHM .25W 1 MF T/R | K 2 |
| R115 | A10265-15031 | 150 KOHM .25 1% MF T/R | J 4 |
| R116 | A10265-10721 | 10.7KOHM .25W 1% MF T/R | I 4 |
| R117 | A10265-20031 | 200.KOHM .25W 1 MF T/R | I 3 |
| R118 | A10265-10521 | 10.5KOHM .25W 1% MF T/R | I 3 |
| R119 | A10265-10031 | 100. KOHM .25W 1 MF T/R | K 2 |
| R120 | A10266-5111 | 510. OHM .25W 5 CF T/R | K 2 |
| R121 | C 5215-6 | 22. MOHM .25W 5 THICK FILM T/R | K 2 |
| R122 | A10266-1321 | 1.3 KOHM .25W 5 CF T/R | K 2 |
| R123 | A10265-49911 | 4.99KOHM .25W 1 MF T/R | K 2 |
| R124 | A10266-1231 | 12.KOHM .25W 5% CF T/R | L 3 |
| R125 | A10266-1231 | 12.KOHM .25W 5% CF T/R | L 2 |
| R126 | A10266-2721 | 2.7 KOHM .25W 5 CF T/R | L 3 |
| R127 | A10266-2721 | 2.7 KOHM .25W 5 CF T/R | L 2 |
| R128 | A10266-6831 | 68. KOHM .25W 5% CF T/R | L 3 |
| R129 | A10266-6831 | 68. KOHM .25W 5% CF T/R | L 3 |
| R130 | A10265-10031 | 100. KOHM .25W 1 MF T/R | L 3 |
| R131 | A10265-10031 | 100. KOHM .25W 1 MF T/R | L 2 |
| R132 | A10266-4701 | 47.0 OHM .25W 5 CF T/R | L 4 |
| R133 | A10266-4701 | 47.0 OHM .25W 5 CF T/R | L 2 |
| R134 | A10266-4711 | 470. OHM .25W 5% CF T/R | M 3 |
| R135 | A10266-2201 | 22.0 OHM .25W 5 CF T/R | M 3 |
| R136 | A10266-8211 | 820. OHM .25W 5% CF T/R | M 3 |
| R137 | A10266-8211 | 820. OHM .25W 5% CF T/R | M 2 |
| R138 | A10266-2201 | 22.0 OHM .25W 5 CF T/R | M 2 |
| R139 | A10266-5601 | 56.0 OHM .25W 5% CF T/R | M 2 |
| R140 | A10266-4721 | 4.7 KOHM .25W 5% CF T/R | P 5 |
| R141 | A10266-5601 | 56.0 OHM .25W 5% CF T/R | M 4 |
| R142 | A10265-66501 | 665. OHM .25W 1 MF T/R | O 5 |
| R143 | A10265-27401 | 274. OHM .25W 1% MF T/R | P 5 |
| R144 | A10265-27401 | 274. OHM .25W 1% MF T/R | O 5 |
| R145 | A10265-66501 | 665. OHM .25W 1 MF T/R | O 5 |
| R146 | A10265-66501 | 665. OHM .25W 1 MF T/R | O 5 |
| R147 | A10265-66501 | 665. OHM .25W 1 MF T/R | O 5 |
| | | | |
| | | | |
| | | | |

INACTIVE

For Reference Use Only

CROWN INTERNATIONAL INC.

1718 WEST MISHAWAKA ROAD ELKHART, INDIANA 46517 PHONE (219) 294-8888

THESE DRAWINGS AND SPECIFICATIONS ARE THE PROPERTY OF CROWN INTERNATIONAL, INC. AND SHALL NOT BE REPRODUCED, COPIED, OR USED AS THE BASIS FOR THE MANUFACTURE OR SALE OF APPARATUS OR DEVICES WITHOUT PERMISSION.

| | | | | | |
|-------|---------|----------|----------|-------------------|-----|
| DRAWN | TLM | 08-09-97 | DWG. NO. | SHEET 14 | REV |
| PROJ. | MD360D0 | | 102789 | CONT. ON SHEET 15 | (B) |

PARTS LIST

| REF DES | C.P.N. | DESCRIPTION | MAP LOC. |
|---------|--------------|--------------------------------|----------|
| R148 | A10266-1041 | 100. KOHM .25W 5% CF25 T/R | P 5 |
| R149 | A10265-35711 | 3.57KOHM .25W 1 MF T/R | P 5 |
| R150 | A10265-35711 | 3.57KOHM .25W 1 MF T/R | O 5 |
| R151 | A10266-1041 | 100. KOHM .25W 5% CF25 T/R | O 5 |
| R152 | C 8836-6 | 100 OHM .5W 5% FU/FP T/R | K 4 |
| R153 | A10266-1031 | 10. KOHM .25W 5% CF T/R | K 4 |
| R154 | A10266-2721 | 2.7 KOHM .25W 5 CF T/R | K 3 |
| R155 | C 8836-6 | 100 OHM .5W 5% FU/FP T/R | K 3 |
| R156 | A10266-1031 | 10. KOHM .25W 5% CF T/R | K 3 |
| R157 | A10266-2721 | 2.7 KOHM .25W 5 CF T/R | K 3 |
| R158 | A10266-3021 | 3.0 KOHM .25W 5 CF T/R | J 4 |
| R159 | A10265-10011 | 1.0 KOHM .25W 1 MF T/R | K 3 |
| R160 | A10265-10021 | 10. KOHM .25W 1 MF T/R | J 3 |
| R161 | A10266-4721 | 4.7 KOHM .25W 5% CF T/R | J 3 |
| R162 | A10266-4721 | 4.7 KOHM .25W 5% CF T/R | J 3 |
| R163 | A10265-10021 | 10. KOHM .25W 1 MF T/R | J 3 |
| R164 | C 5215-6 | 22. MOHM .25W 5 THICK FILM T/R | K 3 |
| R165 | A10265-27431 | 274. KOHM .25W 1% MF T/R | J 4 |
| R166 | A10265-95311 | 9.53KOHM .25W 1% MF T/R | I 4 |
| R167 | A10266-1321 | 1.3 KOHM .25W 5 CF T/R | K 3 |
| R168 | A10124-24 | WIRE, #24 SOLID BUS | K 3 |
| R169 | A10265-27431 | 274. KOHM .25W 1% MF T/R | J 2 |
| R170 | A10265-95311 | 9.53KOHM .25W 1% MF T/R | J 2 |
| R171 | A10266-5621 | 5.6 KOHM .25W 5% CF T/R | P 3 |
| R172 | A10266-1541 | 150. KOHM .25W 5% CF T/R | O 3 |
| R173 | A10265-17821 | 17.8KOHM .25W 1% MF T/R | O 3 |
| R174 | A10265-24921 | 24.9 KOHM .25W 1% MF T/R | O 3 |
| R175 | A10265-49911 | 4.99KOHM .25W 1 MF T/R | O 3 |
| R176 | A10265-68111 | 6.81KOHM .25W 1% MF T/R | O 3 |
| R177 | A10265-33221 | 33.2KOHM .25W 1% MF T/R | O 4 |
| R178 | A10265-10021 | 10. KOHM .25W 1 MF T/R | O 4 |
| R179 | A10265-20011 | 2.0 KOHM .25W 1% MF T/R | O 3 |
| R180 | A10265-20011 | 2.0 KOHM .25W 1% MF T/R | O 3 |
| R181 | A10265-10001 | 100. OHM .25W 1 MF T/R | O 2 |
| R182 | A10265-51121 | 51.1 KOHM .25W 1% MF T/R | O 2 |
| R183 | A10265-68111 | 6.81KOHM .25W 1% MF T/R | O 2 |
| R184 | A10265-10001 | 100. OHM .25W 1 MF T/R | O 2 |
| R185 | A10266-2741 | 270. KOHM .25W 5% CF25 T/R | O 2 |
| R186 | C 5062-2 | 100KOHM LINEAR TRIMPOT | O 2 |
| R187 | A10265-14721 | 14.7 KOHM .25W 1% MF T/R | O 4 |
| R188 | A10265-30921 | 30.9 KOHM .25W 1% MF T/R | O 4 |
| R189 | A10265-19121 | 19.1KOHM .25W 1% MF T/R | O 4 |
| R190 | A10265-33221 | 33.2KOHM .25W 1% MF T/R | P 3 |
| R191 | A10265-10021 | 10. KOHM .25W 1 MF T/R | P 3 |
| R192 | A10265-20011 | 2.0 KOHM .25W 1% MF T/R | P 3 |
| R193 | A10265-20011 | 2.0 KOHM .25W 1% MF T/R | P 4 |
| R194 | A10265-68111 | 6.81KOHM .25W 1% MF T/R | P 3 |
| | | | |
| | | | |
| | | | |

INACTIVE

For Reference Use Only

CROWN INTERNATIONAL INC.

1718 WEST MISHAWAKA ROAD ELKHART, INDIANA 46517 PHONE (219) 294-8000

THESE DRAWINGS AND SPECIFICATIONS ARE THE PROPERTY OF CROWN INTERNATIONAL, INC. AND SHALL NOT BE REPRODUCED, COPIED, OR USED AS THE BASIS FOR THE MANUFACTURE OR SALE OF APPARATUS OR DEVICES WITHOUT PERMISSION.

DRAWN TLM 06-09-97

DWG. NO.

SHEET 15
CONT. ON
SHEET 16

REV
B

PROJ. MD360D0

102789

| PARTS LIST | | | |
|------------|--------------|--------------------------------|----------|
| REF DES | C.P.N. | DESCRIPTION | MAP LOC. |
| R195 | A10265-10001 | 100. OHM .25W 1 MF T/R | P 2 |
| R196 | A10265-51121 | 51.1 KOHM .25W 1% MF T/R | P 2 |
| R197 | A10265-60111 | 6.81KOHM .25W 1% MF T/R | P 2 |
| R198 | A10265-10001 | 100. OHM .25W 1 MF T/R | P 2 |
| R199 | A10266-2741 | 270. KOHM .25W 5% CF25 T/R | P 2 |
| R200 | A10265-10021 | 10. KOHM .25W 1 MF T/R | G 3 |
| R201 | A10265-10021 | 10. KOHM .25W 1 MF T/R | G 3 |
| R202 | A10265-10021 | 10. KOHM .25W 1 MF T/R | G 3 |
| R203 | C 9079-2 | 200.OHM TOP ADJ CERMET TRIMMER | H 1 |
| R204 | A10265-10021 | 10. KOHM .25W 1 MF T/R | G 2 |
| R205 | A10265-49911 | 4.99KOHM .25W 1 MF T/R | H 3 |
| R206 | A10265-49911 | 4.99KOHM .25W 1 MF T/R | H 3 |
| R207 | 101051-1 | 5K. , 10%, LINEAR W/21 DETENT | F 2 |
| R208 | A10265-76811 | 7.68 KOHM .25W 1% MF T/R | H 1 |
| R209 | A10265-24921 | 24.9 KOHM .25W 1% MF T/R | H 1 |
| R210 | A10265-69811 | 6.98 KOHM .25W 1% MF T/R | H 1 |
| R211 | A10265-24921 | 24.9 KOHM .25W 1% MF T/R | F 2 |
| R212 | A10266-2201 | 22.0 OHM .25W 5 CF T/R | G 2 |
| R213 | A10265-49911 | 4.99KOHM .25W 1 MF T/R | F 2 |
| R214 | A10265-10031 | 100. KOHM .25W 1 MF T/R | F 2 |
| R215 | A10265-15031 | 150 KOHM .25 1% MF T/R | G 4 |
| R216 | A10265-10721 | 10.7KOHM .25W 1% MF T/R | H 4 |
| R217 | A10265-20031 | 200.KOHM .25W 1 MF T/R | H 3 |
| R218 | A10265-10521 | 10.5KOHM .25W 1% MF T/R | H 3 |
| R219 | A10265-10031 | 100. KOHM .25W 1 MF T/R | F 2 |
| R220 | A10266-5111 | 510. OHM .25W 5 CF T/R | F 2 |
| R221 | C 5215-6 | 22. MOHM .25W 5 THICK FILM T/R | F 2 |
| R222 | A10266-1321 | 1.3 KOHM .25W 5 CF T/R | F 2 |
| R223 | A10265-49911 | 4.99KOHM .25W 1 MF T/R | F 2 |
| R224 | A10266-1231 | 12.KOHM .25W 5% CF T/R | E 3 |
| R225 | A10266-1231 | 12.KOHM .25W 5% CF T/R | E 2 |
| R226 | A10266-2721 | 2.7 KOHM .25W 5 CF T/R | E 3 |
| R227 | A10266-2721 | 2.7 KOHM .25W 5 CF T/R | E 2 |
| R228 | A10266-6831 | 68. KOHM .25W 5% CF T/R | E 3 |
| R229 | A10266-6831 | 68. KOHM .25W 5% CF T/R | E 3 |
| R230 | A10265-10031 | 100. KOHM .25W 1 MF T/R | E 3 |
| R231 | A10265-10031 | 100. KOHM .25W 1 MF T/R | E 2 |
| R232 | A10266-4701 | 47.0 OHM .25W 5 CF T/R | E 4 |
| R233 | A10266-4701 | 47.0 OHM .25W 5 CF T/R | E 2 |
| R234 | A10266-4711 | 470. OHM .25W 5% CF T/R | D 3 |
| R235 | A10266-2201 | 22.0 OHM .25W 5 CF T/R | D 3 |
| R236 | A10266-8211 | 820. OHM .25W 5% CF T/R | D 3 |
| R237 | A10266-8211 | 820. OHM .25W 5% CF T/R | D 2 |
| R238 | A10266-2201 | 22.0 OHM .25W 5 CF T/R | D 2 |
| R239 | A10266-5601 | 56.0 OHM .25W 5% CF T/R | D 2 |
| R240 | A10266-4721 | 4.7 KOHM .25W 5% CF T/R | A 5 |
| R241 | A10266-5601 | 56.0 OHM .25W 5% CF T/R | D 4 |
| | | | |
| | | | |
| | | | |

INACTIVE

For Reference Use Only

THESE DRAWINGS AND SPECIFICATIONS ARE THE PROPERTY OF CROWN INTERNATIONAL, INC. AND SHALL NOT BE REPRODUCED, COPIED, OR USED AS THE BASIS FOR THE MANUFACTURE OR SALE OF APPARATUS OR DEVICES WITHOUT PERMISSION.

| | | | |
|---------------------------------|---------|------------------------|-----------------------------------|
| CROWN INTERNATIONAL INC. | | | |
| 1718 WEST MISHAWAKA ROAD | | ELKHART, INDIANA 46517 | PHONE (219) 294-8000 |
| DRAWN | TLM | 06-09-97 | DWG. NO. |
| PROJ. | MD360D0 | 102789 | |
| | | | REV SHEET 16 CONT. ON SHEET 17 |
| | | | (B) |

PARTS LIST

| REF DES | C.P.N. | DESCRIPTION | MAP LOC. |
|---------|--------------|--------------------------------|----------|
| R242 | A10265-66501 | 665. OHM .25W 1 MF T/R | B 5 |
| R243 | A10265-27401 | 274. OHM .25W 1% MF T/R | A 5 |
| R244 | A10265-27401 | 274. OHM .25W 1% MF T/R | B 5 |
| R245 | A10265-66501 | 665. OHM .25W 1 MF T/R | B 5 |
| R246 | A10265-66501 | 665. OHM .25W 1 MF T/R | B 5 |
| R247 | A10265-66501 | 665. OHM .25W 1 MF T/R | B 5 |
| R248 | A10266-1041 | 100. KOHM .25W 5% CF25 T/R | A 5 |
| R249 | A10265-35711 | 3.57KOHM .25W 1 MF T/R | A 5 |
| R250 | A10265-35711 | 3.57KOHM .25W 1 MF T/R | B 5 |
| R251 | A10266-1041 | 100. KOHM .25W 5% CF25 T/R | B 5 |
| R252 | C 8836-6 | 100 OHM .5W 5% FU/FP T/R | F 4 |
| R253 | A10266-1031 | 10. KOHM .25W 5% CF T/R | E 4 |
| R254 | A10266-2721 | 2.7 KOHM .25W 5 CF T/R | E 3 |
| R255 | C 8836-6 | 100 OHM .5W 5% FU/FP T/R | F 3 |
| R256 | A10266-1031 | 10. KOHM .25W 5% CF T/R | E 3 |
| R257 | A10266-2721 | 2.7 KOHM .25W 5 CF T/R | E 3 |
| R258 | A10266-3021 | 3.0 KOHM .25W 5 CF T/R | G 4 |
| R259 | A10265-10011 | 1.0 KOHM .25W 1 MF T/R | F 3 |
| R260 | A10265-10021 | 10. KOHM .25W 1 MF T/R | G 3 |
| R261 | A10266-4721 | 4.7 KOHM .25W 5% CF T/R | G 3 |
| R262 | A10266-4721 | 4.7 KOHM .25W 5% CF T/R | G 3 |
| R263 | A10265-10021 | 10. KOHM .25W 1 MF T/R | G 3 |
| R264 | C 5215-6 | 22. MDHM .25W 5 THICK FILM T/R | F 3 |
| R265 | A10265-27431 | 274.KOHM .25W 1% MF T/R | G 4 |
| R266 | A10265-95311 | 9.53KOHM .25W 1% MF T/R | H 4 |
| R267 | A10266-1321 | 1.3 KOHM .25W 5 CF T/R | F 3 |
| R268 | A10124-24 | WIRE, #24 SOLID BUS | F 3 |
| R269 | A10265-27431 | 274.KOHM .25W 1% MF T/R | G 2 |
| R270 | A10265-95311 | 9.53KOHM .25W 1% MF T/R | G 2 |
| R271 | A10266-5621 | 5.6 KOHM .25W 5% CF T/R | B 3 |
| R272 | A10266-1541 | 150. KOHM .25W 5% CF T/R | A 3 |
| R273 | A10265-17821 | 17.8KOHM .25W 1% MF T/R | A 3 |
| R274 | A10265-24921 | 24.9 KOHM .25W 1% MF T/R | A 3 |
| R275 | A10265-49911 | 4.99KOHM .25W 1 MF T/R | A 3 |
| R276 | A10265-68111 | 6.81KOHM .25W 1% MF T/R | A 3 |
| R277 | A10265-33221 | 33.2KOHM .25W 1% MF T/R | A 4 |
| R278 | A10265-10021 | 10. KOHM .25W 1 MF T/R | A 4 |
| R279 | A10265-20011 | 2.0 KOHM .25W 1% MF T/R | A 3 |
| R280 | A10265-20011 | 2.0 KOHM .25W 1% MF T/R | A 3 |
| R281 | A10265-10001 | 100. OHM .25W 1 MF T/R | A 2 |
| R282 | A10265-51121 | 51.1 KOHM .25W 1% MF T/R | A 2 |
| R283 | A10265-68111 | 6.81KOHM .25W 1% MF T/R | A 2 |
| R284 | A10265-10001 | 100. OHM .25W 1 MF T/R | A 2 |
| R285 | A10266-2741 | 270. KOHM .25W 5% CF25 T/R | A 2 |
| R286 | C 5062-2 | 100KOHM LINEAR TRIMPOT | A 2 |
| R287 | A10265-14721 | 14.7 KOHM .25W 1% MF T/R | A 4 |
| R288 | A10265-30921 | 30.9 KOHM .25W 1% MF T/R | A 4 |
| | | | |
| | | | |
| | | | |

INACTIVE

For Reference Use Only

CROWN INTERNATIONAL INC.

1718 WEST MISHAWAKA ROAD ELKHART, INDIANA 46517 PHONE (219) 294-9888

THESE DRAWINGS AND SPECIFICATIONS ARE THE PROPERTY OF CROWN INTERNATIONAL, INC. AND SHALL NOT BE REPRODUCED, COPIED, OR USED AS THE BASIS FOR THE MANUFACTURE OR SALE OF APPARATUS OR DEVICES WITHOUT PERMISSION.

| | | | | | |
|-------|---------|----------|----------|-------------------|-----|
| DRAWN | TLM | 86-89-97 | DWG. NO. | SHEET 17 | REV |
| PROJ. | MD360D0 | | 102789 | CONT. ON SHEET 18 | (B) |

PARTS LIST

| REF DES | C. P. N. | DESCRIPTION | MAP LOC. |
|---------|--------------|----------------------------|----------|
| R289 | A10265-19121 | 19.1KOHM .25W 1% MF T/R | A 4 |
| R290 | A10265-33221 | 33.2KOHM .25W 1% MF T/R | B 3 |
| R291 | A10265-10021 | 10. KOHM .25W 1 MF T/R | B 3 |
| R292 | A10265-20011 | 2.0 KOHM .25W 1% MF T/R | B 4 |
| R293 | A10265-20011 | 2.0 KOHM .25W 1% MF T/R | B 4 |
| R294 | A10265-68111 | 6.81KOHM .25W 1% MF T/R | B 3 |
| R295 | A10265-10001 | 100. OHM .25W 1 MF T/R | B 2 |
| R296 | A10265-51121 | 51.1 KOHM .25W 1% MF T/R | B 2 |
| R297 | A10265-68111 | 6.81KOHM .25W 1% MF T/R | B 2 |
| R298 | A10265-10001 | 100. OHM .25W 1 MF T/R | B 2 |
| R299 | A10266-2741 | 270. KOHM .25W 5% CF25 T/R | B 2 |
| R300 | C 5062-2 | 100KOHM LINEAR TRIMPOT | P 2 |
| R301 | A10265-14721 | 14.7 KOHM .25W 1% MF T/R | P 4 |
| R302 | A10265-30921 | 30.9 KOHM .25W 1% MF T/R | P 4 |
| R303 | A10265-19121 | 19.1KOHM .25W 1% MF T/R | P 4 |
| R304 | A10265-39221 | 39.2KOHM .25W 1% MF T/R | P 4 |
| R305 | A10265-35731 | 357.KOHM .25W 1 MF T/R | P 4 |
| R306 | A10266-3021 | 3.0 KOHM .25W 5 CF T/R | O 1 |
| R307 | A10266-1521 | 1.5 KOHM .25W 5% CF T/R | O 1 |
| R308 | A10266-1041 | 100. KOHM .25W 5% CF25 T/R | O 1 |
| R309 | C 7779-9 | 22. OHM .25W 5% FU/FP T/R | N 5 |
| R310 | A10266-4711 | 470. OHM .25W 5% CF T/R | N 5 |
| R311 | A10266-4711 | 470. OHM .25W 5% CF T/R | N 5 |
| R312 | C 7779-9 | 22. OHM .25W 5% FU/FP T/R | N 5 |
| R313 | A10266-4711 | 470. OHM .25W 5% CF T/R | N 5 |
| R314 | C 7779-9 | 22. OHM .25W 5% FU/FP T/R | N 4 |
| R315 | A10266-4711 | 470. OHM .25W 5% CF T/R | N 4 |
| R316 | A10266-4711 | 470. OHM .25W 5% CF T/R | N 4 |
| R317 | A10266-4711 | 470. OHM .25W 5% CF T/R | N 4 |
| R318 | C 7779-9 | 22. OHM .25W 5% FU/FP T/R | N 4 |
| R319 | A10266-2731 | 27. KOHM .25W 5 CF T/R | N 5 |
| R320 | A10266-3321 | 3.3 KOHM .25W 5% CF T/R | L 5 |
| R321 | A10266-3321 | 3.3 KOHM .25W 5% CF T/R | L 5 |
| R322 | A10266-2051 | 2.0 MOHM .25W 5 CF T/R | K 5 |
| R323 | A10266-1521 | 1.5 KOHM .25W 5% CF T/R | L 5 |
| R324 | A10266-4711 | 470. OHM .25W 5% CF T/R | K 5 |
| R325 | A10266-1041 | 100. KOHM .25W 5% CF25 T/R | K 5 |
| R326 | A10266-5121 | 5.1 KOHM .25W 5 CF T/R | K 5 |
| R327 | A10266-7521 | 7.5 KOHM .25W 5% CF T/R | K 5 |
| R328 | A10266-8231 | 82. KOHM .25W 5% CF T/R | L 5 |
| R329 | A10265-51121 | 51.1 KOHM .25W 1% MF T/R | L 6 |
| R330 | A10266-4741 | 470. KOHM .25W 5% CF T/R | L 5 |
| R331 | A10266-2751 | 2.7 MOHM .25W 5% CF T/R | L 5 |
| R338 | A10266-1041 | 100. KOHM .25W 5% CF25 T/R | J 6 |
| R339 | A10266-4731 | 47. KOHM .25W 5% CF25 T/R | J 6 |
| R340 | A10266-5121 | 5.1 KOHM .25W 5 CF T/R | L 6 |
| R341 | A10266-2031 | 20. KOHM .25W 5 CF T/R | L 6 |
| | | | |
| | | | |
| | | | |

INACTIVE

For Reference Use Only

CROWN INTERNATIONAL INC.

1718 WEST MISHAWAKA ROAD ELKHART, INDIANA 46517 PHONE (219) 294-8888

| | | | | | | |
|-------|---------|----------|----------|--------|----------|-----|
| DRAWN | TLM | 08-09-97 | DWG. NO. | 102789 | SHEET 18 | REV |
| PROJ. | MD388D8 | | | | CONT. ON | (B) |
| | | | | | SHEET 19 | |

THESE DRAWINGS AND SPECIFICATIONS ARE THE PROPERTY OF CROWN INTERNATIONAL, INC. AND SHALL NOT BE REPRODUCED, COPIED, OR USED AS THE BASIS FOR THE MANUFACTURE OR SALE OF APPARATUS OR DEVICES WITHOUT PERMISSION.

PARTS LIST

| REF DES | C. P. N. | DESCRIPTION | MAP LOC. |
|---------|--------------|----------------------------|----------|
| R342 | A10266-3921 | 3.9 KOHM .25W 5% CF T/R | L 5 |
| R343 | A10266-1031 | 10. KOHM .25W 5% CF T/R | L 5 |
| R344 | A10266-4731 | 47. KOHM .25W 5% CF25 T/R | L 4 |
| R345 | A10266-1031 | 10. KOHM .25W 5% CF T/R | L 5 |
| R346 | A10266-4731 | 47. KOHM .25W 5% CF25 T/R | L 4 |
| R347 | A10266-1031 | 10. KOHM .25W 5% CF T/R | L 4 |
| R348 | A10266-1031 | 10. KOHM .25W 5% CF T/R | L 4 |
| R349 | A10266-1031 | 10. KOHM .25W 5% CF T/R | L 4 |
| R350 | A10266-4701 | 47.0 OHM .25W 5 CF T/R | L 5 |
| R351 | A10266-2031 | 20. KOHM .25W 5 CF T/R | K 4 |
| R352 | A10266-1031 | 10. KOHM .25W 5% CF T/R | L 4 |
| R353 | A10266-4731 | 47. KOHM .25W 5% CF25 T/R | L 4 |
| R354 | A10266-4731 | 47. KOHM .25W 5% CF25 T/R | L 4 |
| R355 | A10266-4731 | 47. KOHM .25W 5% CF25 T/R | L 4 |
| R356 | A10266-4731 | 47. KOHM .25W 5% CF25 T/R | L 4 |
| R357 | A10266-1031 | 10. KOHM .25W 5% CF T/R | L 5 |
| R358 | A10266-2031 | 20. KOHM .25W 5 CF T/R | L 4 |
| R359 | A10265-10R01 | 10.0 OHM .25W 1 MF T/R | N 4 |
| R360 | A10266-1211 | 120. OHM .25W 5 CF T/R | N 4 |
| R361 | C 6048-0 | 500 OHM PIHER TRIM | N 4 |
| R362 | A10265-10R01 | 10.0 OHM .25W 1 MF T/R | N 4 |
| R363 | A10265-30111 | 3.01KOHM .25W 1 MF T/R | N 3 |
| R364 | A10265-18221 | 18.2KOHM .25W 1% MF T/R | N 3 |
| R365 | A10265-30111 | 3.01KOHM .25W 1 MF T/R | N 3 |
| R366 | A10265-18221 | 18.2KOHM .25W 1% MF T/R | N 3 |
| R367 | A10265-10011 | 1.0 KOHM .25W 1 MF T/R | N 3 |
| R368 | A10266-4711 | 470. OHM .25W 5% CF T/R | J 4 |
| R369 | A10266-4711 | 470. OHM .25W 5% CF T/R | J 4 |
| R400 | C 5062-2 | 100KOHM LINEAR TRIMPOT | B 2 |
| R401 | A10265-14721 | 14.7 KOHM .25W 1% MF T/R | B 4 |
| R402 | A10265-30921 | 30.9 KOHM .25W 1% MF T/R | B 4 |
| R403 | A10265-19121 | 19.1KOHM .25W 1% MF T/R | B 4 |
| R404 | A10265-39221 | 39.2KOHM .25W 1% MF T/R | B 4 |
| R405 | A10265-35731 | 357. KOHM .25W 1 MF T/R | B 5 |
| R406 | A10266-3021 | 3.0 KOHM .25W 5 CF T/R | B 1 |
| R407 | A10266-1521 | 1.5 KOHM .25W 5% CF T/R | B 1 |
| R408 | A10266-1041 | 100. KOHM .25W 5% CF25 T/R | B 1 |
| R409 | C 7779-9 | 22. OHM .25W 5% FU/FP T/R | C 5 |
| R410 | A10266-4711 | 470. OHM .25W 5% CF T/R | C 5 |
| R411 | A10266-4711 | 470. OHM .25W 5% CF T/R | C 5 |
| R412 | C 7779-9 | 22. OHM .25W 5% FU/FP T/R | C 5 |
| R413 | A10266-4711 | 470. OHM .25W 5% CF T/R | C 5 |
| R414 | C 7779-9 | 22. OHM .25W 5% FU/FP T/R | C 4 |
| R415 | A10266-4711 | 470. OHM .25W 5% CF T/R | C 4 |
| R416 | A10266-4711 | 470. OHM .25W 5% CF T/R | C 4 |
| R417 | A10266-4711 | 470. OHM .25W 5% CF T/R | C 4 |
| R418 | C 7779-9 | 22. OHM .25W 5% FU/FP T/R | C 4 |
| | | | |
| | | | |
| | | | |

INACTIVE

For Reference Use Only

CROWN INTERNATIONAL INC.

1718 WEST MISHAWAKA ROAD ELKHART, INDIANA 46517 PHONE (219) 294-8888

THESE DRAWINGS AND SPECIFICATIONS ARE THE PROPERTY OF CROWN INTERNATIONAL, INC. AND SHALL NOT BE REPRODUCED, COPIED, OR USED AS THE BASIS FOR THE MANUFACTURE OR SALE OF APPARATUS OR DEVICES WITHOUT PERMISSION.

| | | | | | |
|-------|---------|----------|----------|-------------------|-----|
| DRAWN | TLM | 08-09-97 | DWG. NO. | SHEET 19 | REV |
| PROJ. | MD360DB | | 102789 | CONT. ON SHEET 20 | (B) |

PARTS LIST

| REF DES | C.P.N. | DESCRIPTION | MAP LOC. |
|---------|--------------|----------------------------|----------|
| R419 | A10266-2731 | 27. KOHM .25W 5 CF T/R | C 5 |
| R420 | A10266-3321 | 3.3 KOHM .25W 5% CF T/R | E 5 |
| R421 | A10266-3321 | 3.3 KOHM .25W 5% CF T/R | E 5 |
| R422 | A10266-2051 | 2.0 MOHM .25W 5 CF T/R | F 5 |
| R423 | A10266-1521 | 1.5 KOHM .25W 5% CF T/R | E 5 |
| R424 | A10266-4711 | 470. OHM .25W 5% CF T/R | F 5 |
| R425 | A10266-1041 | 100. KOHM .25W 5% CF25 T/R | F 5 |
| R426 | A10266-5121 | 5.1 KOHM .25W 5 CF T/R | F 5 |
| R427 | A10266-7521 | 7.5 KOHM .25W 5% CF T/R | F 5 |
| R428 | A10266-8231 | 82. KOHM .25W 5% CF T/R | E 5 |
| R429 | A10265-51121 | 51.1 KOHM .25W 1% MF T/R | E 6 |
| R430 | A10266-4741 | 470. KOHM .25W 5% CF T/R | E 5 |
| R431 | A10266-2751 | 2.7 MOHM .25W 5% CF T/R | E 5 |
| R438 | A10266-1041 | 100. KOHM .25W 5% CF25 T/R | G 6 |
| R439 | A10266-4731 | 47. KOHM .25W 5% CF25 T/R | G 6 |
| R440 | A10266-5121 | 5.1 KOHM .25W 5 CF T/R | E 6 |
| R441 | A10266-2031 | 20. KOHM .25W 5 CF T/R | E 6 |
| R442 | A10266-3921 | 3.9 KOHM .25W 5% CF T/R | E 5 |
| R443 | A10266-1031 | 10. KOHM .25W 5% CF T/R | E 5 |
| R444 | A10266-4731 | 47. KOHM .25W 5% CF25 T/R | E 4 |
| R445 | A10266-1031 | 10. KOHM .25W 5% CF T/R | E 5 |
| R446 | A10266-4731 | 47. KOHM .25W 5% CF25 T/R | E 4 |
| R447 | A10266-1031 | 10. KOHM .25W 5% CF T/R | E 4 |
| R448 | A10266-1031 | 10. KOHM .25W 5% CF T/R | E 4 |
| R449 | A10266-1031 | 10. KOHM .25W 5% CF T/R | E 4 |
| R450 | A10266-4701 | 47.0 OHM .25W 5 CF T/R | E 5 |
| R451 | A10266-2031 | 20. KOHM .25W 5 CF T/R | F 4 |
| R452 | A10266-1031 | 10. KOHM .25W 5% CF T/R | E 4 |
| R453 | A10266-4731 | 47. KOHM .25W 5% CF25 T/R | E 4 |
| R454 | A10266-4731 | 47. KOHM .25W 5% CF25 T/R | E 4 |
| R455 | A10266-4731 | 47. KOHM .25W 5% CF25 T/R | E 4 |
| R456 | A10266-4731 | 47. KOHM .25W 5% CF25 T/R | E 4 |
| R457 | A10266-1031 | 10. KOHM .25W 5% CF T/R | E 5 |
| R458 | A10266-2031 | 20. KOHM .25W 5 CF T/R | E 4 |
| R459 | A10265-10R01 | 10.0 OHM .25W 1 MF T/R | C 3 |
| R460 | A10266-1211 | 120. OHM .25W 5 CF T/R | C 3 |
| R461 | C 6048-0 | 500 OHM PIHER TRIM | C 4 |
| R462 | A10265-10R01 | 10.0 OHM .25W 1 MF T/R | C 4 |
| R463 | A10265-30111 | 3.01KOHM .25W 1 MF T/R | C 3 |
| R464 | A10265-18221 | 18.2KOHM .25W 1% MF T/R | C 3 |
| R465 | A10265-30111 | 3.01KOHM .25W 1 MF T/R | C 3 |
| R466 | A10265-18221 | 18.2KOHM .25W 1% MF T/R | C 3 |
| R467 | A10265-10011 | 1.0 KOHM .25W 1 MF T/R | C 3 |
| R468 | A10266-4711 | 470. OHM .25W 5% CF T/R | G 4 |
| R469 | A10266-4711 | 470. OHM .25W 5% CF T/R | G 4 |
| S1 | C 7960-5 | DPDT 3POS PC SLIDE SWITCH | I 1 |
| S2 | C 6781-6 | 6P3T MONO/STEREO SWITCH | C 1 |
| | | | |
| | | | |
| | | | |

INACTIVE

For Reference Use Only

THESE DRAWINGS AND SPECIFICATIONS ARE THE PROPERTY OF CROWN INTERNATIONAL, INC. AND SHALL NOT BE REPRODUCED, COPIED, OR USED AS THE BASIS FOR THE MANUFACTURE OR SALE OF APPARATUS OR DEVICES WITHOUT PERMISSION.

| | | | |
|---------------------------------|---------|------------------------|----------------------------------|
| CROWN INTERNATIONAL INC. | | | |
| 1718 WEST MISHAWAKA ROAD | | ELKHART, INDIANA 46517 | PHONE (219) 294-8000 |
| DRAWN | TLM | 08-09-97 | DWG. NO. |
| PROJ. | MD360D8 | 102789 | |
| | | | SHEET 20 CONT. ON SHEET 21 |
| | | | REV (B) |

PARTS LIST

| REF DES | C. P. N. | DESCRIPTION | MAP LOC. |
|---------|----------|--------------------------------|----------|
| TP100 | C 6564-6 | 10P DBLROW UNSHRD HDR 87230-5 | K 6 |
| TP200 | C 6564-6 | 10P DBLROW UNSHRD HDR 87230-5 | F 6 |
| U1 | C 5095-2 | MC7815CT +15V. REG | H 5 |
| U1X | C 9494-3 | HEATSINK, T0220 PLUG IN | H 5 |
| U2 | C 5096-0 | MC7915CT -15V. REG | I 5 |
| U2X | C 9494-3 | HEATSINK, T0220 PLUG IN | I 5 |
| U3 | | INSTALLED ON NEXT ASSEMBLY | H 2 |
| U3X | C 3451-9 | IC SOCKET, 8PIN DIP 2-640463-3 | H 2 |
| U4 | C 7636-1 | MC33078P DUAL LOW NOISE OP AMP | F 6 |
| U5 | 102754-1 | CD4060 14 STAGE BIN CNTR/OSC | H 6 |
| U100 | 101651-1 | MC33079N QUAD OP AMP SGS ONLY | J 3 |
| U101 | C 7444-0 | LM393 DUAL COMPARATOR | O 3 |
| U102A | 101374-1 | 2SA1349 DUAL PNP 80V SIP | O 2 |
| U103 | C 7558-7 | MC33079P QUAD LOW NOISE OP AMP | O 4 |
| U104A | 101375-1 | 2SC3381 DUAL NPN 80V SIP | P 2 |
| U106 | C 6411-0 | H11C2 OPTO SCR | M 5 |
| U107 | C 4345-2 | LM339N VOLT COMPARATOR | K 5 |
| U109 | C 7636-1 | MC33078P DUAL LOW NOISE OP AMP | N 3 |
| U200 | 101651-1 | MC33079N QUAD OP AMP SGS ONLY | G 3 |
| U201 | C 7444-0 | LM393 DUAL COMPARATOR | A 3 |
| U202A | 101374-1 | 2SA1349 DUAL PNP 80V SIP | A 2 |
| U203 | C 7558-7 | MC33079P QUAD LOW NOISE OP AMP | A 4 |
| U204A | 101375-1 | 2SC3381 DUAL NPN 80V SIP | B 2 |
| U206 | C 6411-0 | H11C2 OPTO SCR | D 5 |
| U207 | C 4345-2 | LM339N VOLT COMPARATOR | F 5 |
| U209 | C 7636-1 | MC33078P DUAL LOW NOISE OP AMP | B 3 |
| U102 | | SEE NOTE 10 | O 2 |
| U104 | | SEE NOTE 10 | P 2 |
| U202 | | SEE NOTE 10 | A 2 |
| U204 | | SEE NOTE 10 | B 2 |
| Z1 | | DO NOT INSTALL | C 1 |
| Z2 | | DO NOT INSTALL | D 1 |
| Z3 | | DO NOT INSTALL | D 1 |
| Z4 | | DO NOT INSTALL | D 2 |
| Z5 | | DO NOT INSTALL | D 2 |
| | | | |
| | | | |
| | | | |
| | | | |
| | | | |
| | | | |
| | | | |
| | | | |
| | | | |
| | | | |
| | | | |
| | | | |
| | | | |
| | | | |
| | | | |
| | | | |

INACTIVE

For Reference Use Only

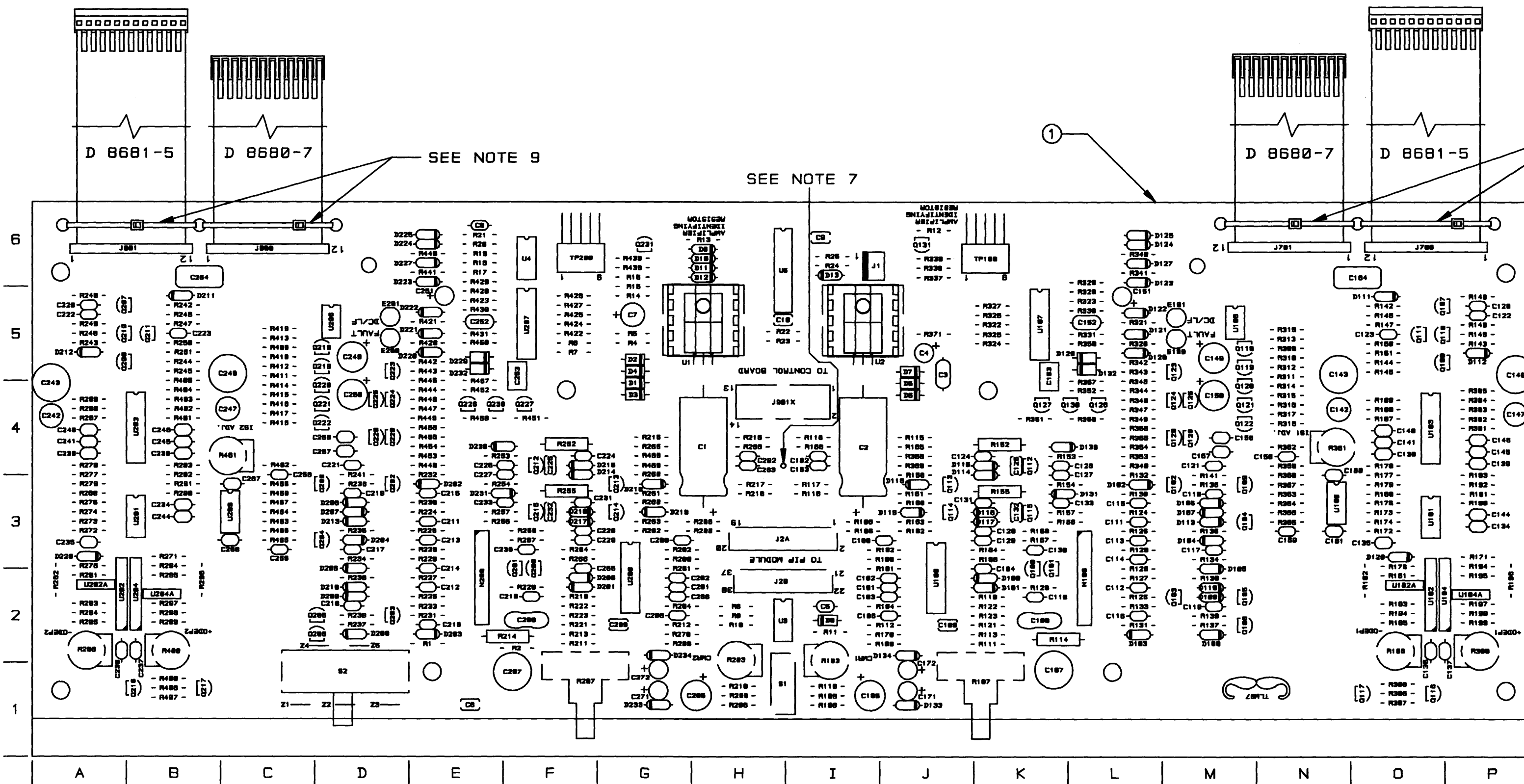
CROWN INTERNATIONAL INC.

1718 WEST MISHAWAKA ROAD ELKHART, INDIANA 46517 PHONE (219) 294-8000

THESE DRAWINGS AND SPECIFICATIONS ARE THE PROPERTY OF CROWN INTERNATIONAL, INC. AND SHALL NOT BE REPRODUCED, COPIED, OR USED AS THE BASIS FOR THE MANUFACTURE OR SALE OF APPARATUS OR DEVICES WITHOUT PERMISSION.

| | | | | | |
|-------|---------|----------|----------|-------------------|-----|
| DRAWN | TLM | 06-09-97 | DWG. NO. | SHEET 21 | REV |
| PROJ. | MD36808 | | 102789 | CONT. ON SHEET 22 | (B) |

COMPONENT MAP (COMPONENT SIDE VIEW)



①

SEE NOTE 9

SEE NOTE 7

SEE NOTE 9

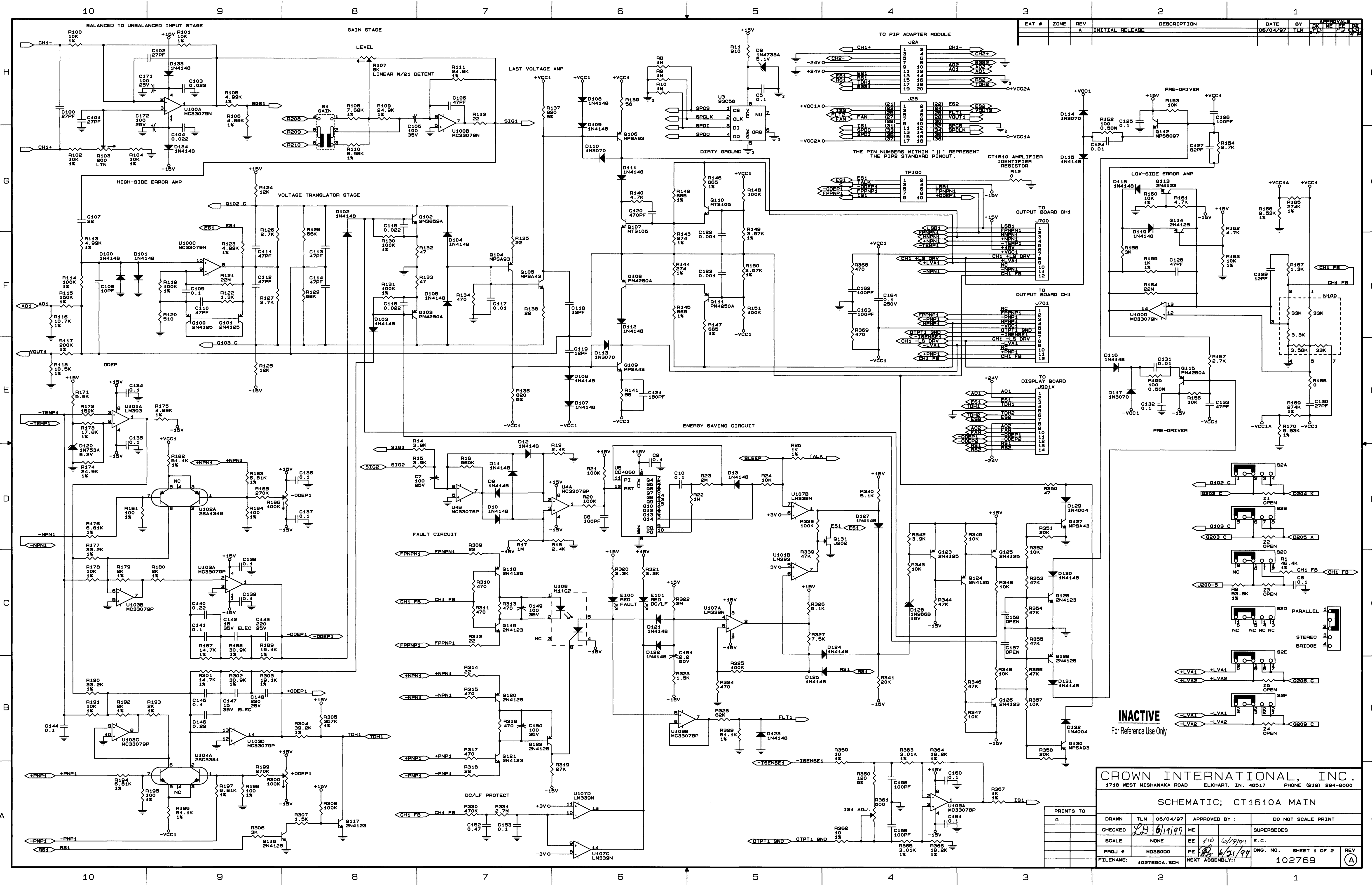
INACTIVE
For Reference Use Only

CROWN INTERNATIONAL INC.

1718 WEST MISHAWAKA ROAD ELKHART, INDIANA 46517 PHONE (219) 294-8000

THESE DRAWINGS AND SPECIFICATIONS ARE THE PROPERTY OF CROWN INTERNATIONAL INC. AND SHALL NOT BE REPRODUCED, COPIED, OR USED AS THE BASIS FOR THE MANUFACTURE OR SALE OF APPARATUS OR DEVICES WITHOUT PERMISSION.

| | | | | | | |
|-------|---------|----------|----------|--------|----------|-----|
| DRAWN | TLM | 06-09-97 | DWG. NO. | 102789 | SHEET 22 | REV |
| PROJ. | MD360D8 | | | | CONT. ON | (B) |
| | | | | | SHEET - | |



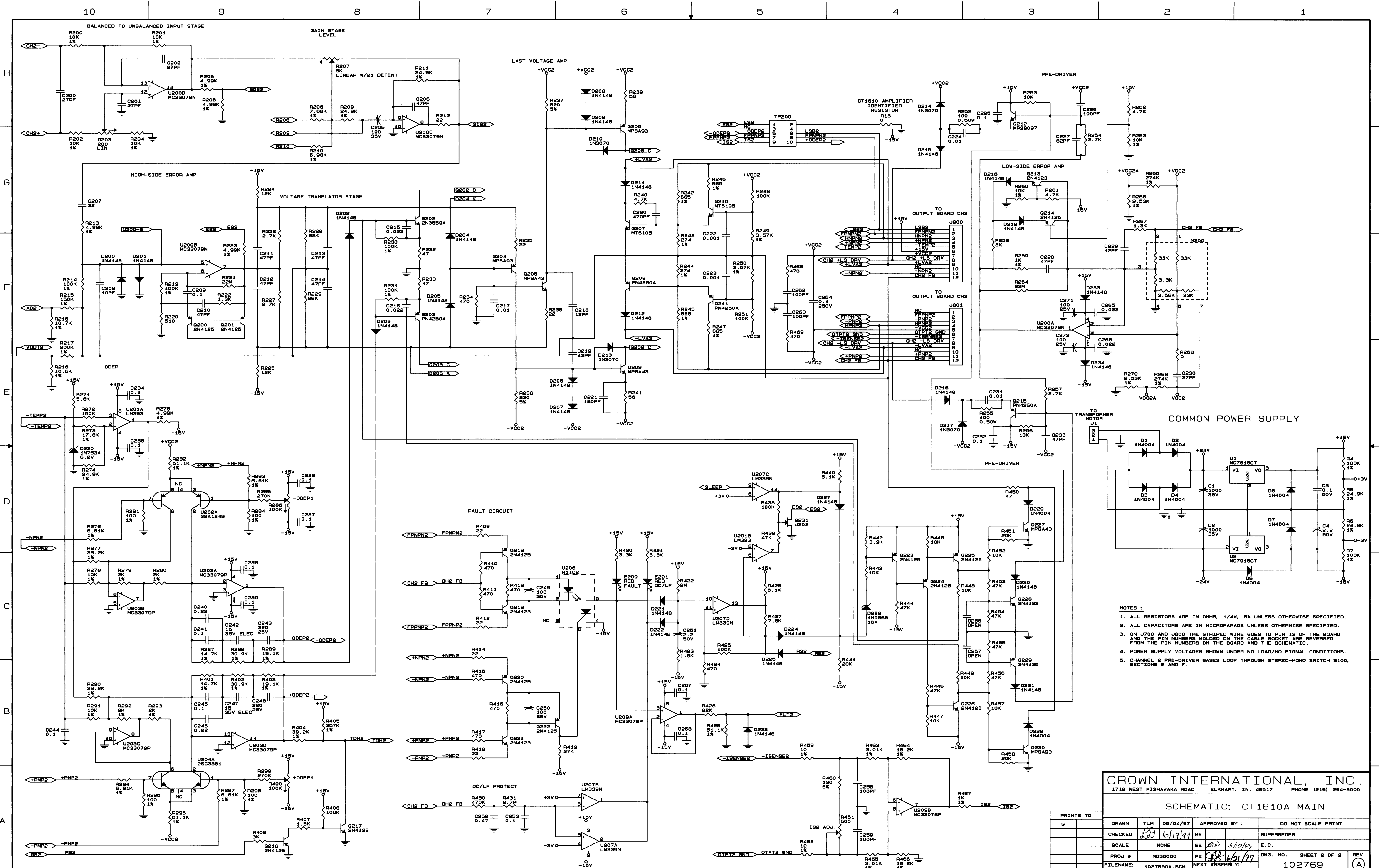
| EAT # | ZONE | REV | DESCRIPTION | DATE | BY | APPROVAL |
|-------|------|-----------------|-------------|----------|-----|----------|
| | A | INITIAL RELEASE | | 05/04/97 | YLM | |

INACTIVE
For Reference Use Only

CROWN INTERNATIONAL, INC.
1718 WEST MISHAWAKA ROAD ELKHART, IN. 46517 PHONE (219) 294-8000

SCHEMATIC; CT1610A MAIN

| | | | | | |
|-----------|-----------|--------------|----------------|---------------|---------------------------|
| PRINTS TO | DRAWN | TLM | 05/04/97 | APPROVED BY : | DO NOT SCALE PRINT |
| G | CHECKED | ME | 6/19/97 | EE | SUPERSEDES |
| | SCALE | NONE | EE | 6/19/97 | E.C. |
| | PROJ # | MD38000 | PE | 6/21/97 | DWG. NO. SHEET 1 OF 2 REV |
| | FILENAME: | 1027580A.SCM | NEXT ASSEMBLY: | | 102769 (A) |



- NOTES:
1. ALL RESISTORS ARE IN OHMS, 1/4W, 5% UNLESS OTHERWISE SPECIFIED.
 2. ALL CAPACITORS ARE IN MICROFARADS UNLESS OTHERWISE SPECIFIED.
 3. ON J700 AND J800 THE STRIPED WIRE GOES TO PIN 12 OF THE BOARD AND THE PIN NUMBERS MOLDED ON THE CABLE SOCKET ARE REVERSED FROM THE PIN NUMBERS ON THE BOARD AND THE SCHEMATIC.
 4. POWER SUPPLY VOLTAGES SHOWN UNDER NO LOAD/NO SIGNAL CONDITIONS.
 5. CHANNEL 2 PRE-DRIVER BASES LOOP THROUGH STEREO-MONO SWITCH S100, SECTIONS E AND F.

CROWN INTERNATIONAL, INC.
 1718 WEST NISHAWAKA ROAD ELKHART, IN. 46517 PHONE (219) 294-8000

SCHEMATIC; CT1610A MAIN

| | | | | |
|-----------|-----------|--------------|----------------|-----------------------|
| PRINTS TO | | | | DO NOT SCALE PRINT |
| G | DRAWN | TLM | 06/04/97 | APPROVED BY : |
| | CHECKED | ME | 6/19/97 | SUPERSEDES |
| | SCALE | NONE | EE | E.C. |
| | PROJ # | MD36000 | PE | DWG. NO. SHEET 2 OF 2 |
| | FILENAME: | 1027690A.SCM | NEXT ASSEMBLY: | REV |
| | | | | 102769 (A) |

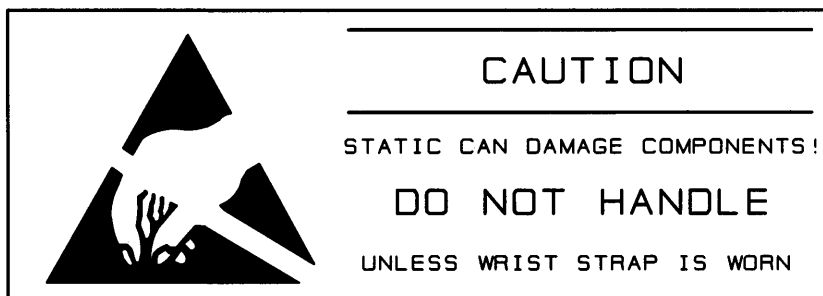
**CT1610A Main Module (Dual Pot) Information On Following Pages
Documentation, Component Map**

| E.C.N. | ZONE | REV. | DESCRIPTION | DATE | BY | APPROVALS | | | |
|--------|------|------|-----------------|----------|-----|-----------|----|----|----|
| | | | | | | CHK | ME | EE | PE |
| | | A | INITIAL RELEASE | 09/25/97 | DWW | JLM | | | Q |
| | | | | | | | | | |
| | | | | | | | | | |

UNLESS OTHERWISE SPECIFIED, THE FINISHED PWA SHALL MEET:
IPC-A-610 CLASS 2

NOTES:

1. SCHEMATIC DRAWING NUMBER 102769.
2. PWB PART NUMBER 125266-1.
3. PWA PART NUMBER 125275-1.
4. ALL LEADS SHALL BE TRIMMED TO 0.093" OR LESS.
5. POSITION COMPONENTS AS SHOWN ON COMPONENT MAP.
6. INSERT 8 PIN IC SOCKET (C 3451-9) AT REFERENCE DESIGNATION LOCATION U3. IC IS INSTALLED ON A LATER ASSEMBLY.
7. REMOVE SOLDER OR PREVENT SOLDER FROM ACCUMULATING IN HOLES INDICATED ON THE COMPONENT MAP.
8. INSTALL HEATSINK (C 9494-3) AT REFERENCE DESIGNATION LOCATIONS U1 AND U2.
9. INSTALL CABLE TIE (C 8812-7) AT REFERENCE DESIGNATION LOCATIONS J700, J701, J800 AND J801.
 - 9A. USE A 0.25" DIAMETER ROD AS A GAUGE TO CHECK THE TIGHTNESS OF THE CABLES. ON THE COMPONENT SIDE PRESS THE CABLE AGAINST THE BOARD. THE GAUGE SHOULD NOT FIT UNDER THE CABLE TIE.
10. U102, U104, U202 AND U204 ARE ALTERNATE COMPONENT PARTS.
11. THE CROWN PART NUMBER FOR THIS MODULE SHALL BE MARKED ON THE P.C. BOARD AND SHALL BE PERMANENT.



THESE DRAWINGS AND SPECIFICATIONS ARE THE PROPERTY OF CROWN INTERNATIONAL, INC. AND SHALL NOT BE REPRODUCED, COPIED, OR USED AS THE BASIS FOR THE MANUFACTURE OR SALE OF APPARATUS OR DEVICES WITHOUT PERMISSION.

| | | | | | | | | | |
|---------------------------------|--|---|---------|----------|--------------|----------------------|--------------------|-----------------------|-----|
| CROWN INTERNATIONAL INC. | | | | | | | | | |
| PRINTS TO | | 1718 WEST MISHAWAKA ROAD ELKHART, INDIANA 46517 | | | | PHONE (219) 294-8000 | | | |
| K | | PWA; CT1610A MAIN (DUAL POT) | | | | | | TOL. UNLESS SPECIFIED | |
| | | | | | | | | X.XX - ± 0.020 | |
| | | | | | | | | X.XXX - ± 0.010 | |
| | | | | | | | | DRILLS - ± 0.003 | |
| | | DRAWN | DWW | 09/25/97 | APPROVED BY: | | DO NOT SCALE PRINT | | |
| | | CHECKED | JLM | 9/25/97 | ME | | SUPERSEDES | | |
| | | SCALE | NONE | | EE | | E.C.N. | | |
| | | PROJ # | MD360D0 | | PE | Q 9-27-97 | DWG. NO. | SHEET 1 | REV |
| | | NEXT ASSEMBLY | | 125275 | | CONT. ON SHEET 2 | | A | |

INACTIVE
For Reference Use Only

PARTS LIST

| C. P. N. | DESCRIPTION | QTY | REFERENCE DESIGNATION |
|--------------|--------------------------|-----|--|
| A10124-24 | WIRE, #24 SOLID BUS | 8" | R12, R13, R168, R268 |
| A10265-10001 | 100. OHM .25W 1 MF T/R | 8 | R181, R184, R195, R198, R281, R284, R295, R298 |
| A10265-10011 | 1.0 KOHM .25W 1 MF T/R | 5 | R159, R25, R259, R367, R467, |
| A10265-10021 | 10. KOHM .25W 1 MF T/R | 16 | R100, R101, R102, R104, R160, R163, R178, R191, R200, R201, R202, R204, R260, R263, R278, R291 |
| A10265-10031 | 100. KOHM .25W 1 MF T/R | 10 | R114, R119, R130, R131, R214, R219, R230, R231, R4, R7 |
| A10265-10521 | 10.5KOHM .25W 1% MF T/R | 2 | R118, R218 |
| A10265-10721 | 10.7KOHM .25W 1% MF T/R | 2 | R116, R216 |
| A10265-10R01 | 10.0 OHM .25W 1 MF T/R | 4 | R359, R362, R459, R462 |
| A10265-14721 | 14.7 KOHM .25W 1% MF T/R | 4 | R187, R287, R301, R401 |
| A10265-15031 | 150 KOHM .25 1% MF T/R | 2 | R115, R215 |
| A10265-17821 | 17.8KOHM .25W 1% MF T/R | 2 | R173, R273 |
| A10265-18221 | 18.2KOHM .25W 1% MF T/R | 4 | R364, R366, R464, R466 |
| A10265-19121 | 19.1KOHM .25W 1% MF T/R | 4 | R189, R289, R303, R403 |
| A10265-20011 | 2.0 KOHM .25W 1% MF T/R | 8 | R179, R180, R192, R193, R279, R280, R292, R293 |
| A10265-20031 | 200. KOHM .25W 1 MF T/R | 2 | R117, R217 |
| A10265-24921 | 24.9 KOHM .25W 1% MF T/R | 8 | R109, R111, R174, R209, R211, R274, R5, R6 |
| A10265-27401 | 274. OHM .25W 1% MF T/R | 4 | R143, R144, R243, R244 |
| A10265-27431 | 274. KOHM .25W 1% MF T/R | 4 | R165, R169, R265, R269 |
| A10265-30111 | 3.01KOHM .25W 1 MF T/R | 4 | R363, R365, R463, R465 |
| A10265-30921 | 30.9 KOHM .25W 1% MF T/R | 4 | R188, R288, R302, R402 |
| A10265-33221 | 33.2KOHM .25W 1% MF T/R | 4 | R177, R190, R277, R290 |
| A10265-35711 | 3.57KOHM .25W 1 MF T/R | 4 | R149, R150, R249, R250 |
| A10265-35731 | 357. KOHM .25W 1 MF T/R | 2 | R305, R405 |
| A10265-39221 | 39.2KOHM .25W 1% MF T/R | 2 | R304, R404 |
| A10265-46421 | 46.4 KOHM .25W 1% MF T/R | 1 | R1 |
| A10265-49911 | 4.99KOHM .25W 1 MF T/R | 10 | R105, R106, R113, R123, R175, R205, R206, R213, R223, R275, |
| A10265-51121 | 51.1 KOHM .25W 1% MF T/R | 6 | R182, R196, R282, R296, R329, R429 |
| A10265-53621 | 53.6 KOHM .25W 1% MF T/R | 1 | R2 |
| A10265-66501 | 665. OHM .25W 1 MF T/R | 8 | R142, R145, R146, R147, R242, R245, R246, R247 |
| A10265-68111 | 6.81KOHM .25W 1% MF T/R | 8 | R176, R183, R194, R197, R276, R283, R294, R297 |
| A10265-69811 | 6.98 KOHM .25W 1% MF T/R | 2 | R110, R210 |
| A10265-76811 | 7.68 KOHM .25W 1% MF T/R | 2 | R108, R208 |
| A10265-95311 | 9.53KOHM .25W 1% MF T/R | 4 | R166, R170, R266, R270 |
| A10266-1031 | 10. KOHM .25W 5% CF T/R | 19 | R153, R156, R24, R253, R256, R343, R345, R347, R348, R349, R352, R357, R443, R445, R447, |

INACTIVE

For Reference Use Only

| | | | |
|---------------------------------|---------|------------------------|----------------------|
| CROWN INTERNATIONAL INC. | | | |
| 1718 WEST MISHAWAKA ROAD | | ELKHART, INDIANA 46517 | PHONE (219) 294-8000 |
| DRAWN | DWW | 09/25/97 | DWG. NO. |
| PROJ. | MD360DB | 125275 | |
| | | SHEET 2 | REV (A) |
| | | CONT. ON | |
| | | SHEET 3 | |

THESE DRAWINGS AND SPECIFICATIONS ARE THE PROPERTY OF CROWN INTERNATIONAL, INC. AND SHALL NOT BE REPRODUCED, COPIED, OR USED AS THE BASIS FOR THE MANUFACTURE OR SALE OF APPARATUS OR DEVICES WITHOUT PERMISSION.

PARTS LIST

| C.P.N. | DESCRIPTION | QTY | REFERENCE DESIGNATION |
|--------------|------------------------------|-----|-------------------------------|
| | | | R448, R449, R452, R457 |
| A10266-1041 | 100. KOHM .25W 5% CF25 T/R | 12 | R148, R151, R20, R21, R248, |
| | | | R251, R308, R325, R338, R408, |
| | | | R425, R438 |
| A10266-1051 | 1.0 MOHM .25W 5 CF T/R | 5 | R10, R17, R22, R8, R9 |
| A10266-1211 | 120. OHM .25W 5 CF T/R | 2 | R360, R460 |
| A10266-1231 | 12. KOHM .25W 5% CF T/R | 4 | R124, R125, R224, R225 |
| A10266-1321 | 1.3 KOHM .25W 5 CF T/R | 4 | R122, R167, R222, R267 |
| A10266-1521 | 1.5 KOHM .25W 5% CF T/R | 4 | R307, R323, R407, R423 |
| A10266-1541 | 150. KOHM .25W 5% CF T/R | 2 | R172, R272 |
| A10266-2031 | 20. KOHM .25W 5 CF T/R | 6 | R341, R351, R358, R441, R451, |
| | | | R458 |
| A10266-2051 | 2.0 MOHM .25W 5 CF T/R | 3 | R23, R322, R422 |
| A10266-2201 | 22.0 OHM .25W 5 CF T/R | 6 | R112, R135, R138, R212, R235, |
| | | | R238 |
| A10266-2421 | 2.4 KOHM .25W 5 CF T/R | 2 | R18, R19 |
| A10266-2721 | 2.7 KOHM .25W 5 CF T/R | 8 | R126, R127, R154, R157, R226, |
| | | | R227, R254, R257 |
| A10266-2731 | 27. KOHM .25W 5 CF T/R | 2 | R319, R419 |
| A10266-2741 | 270. KOHM .25W 5% CF25 T/R | 4 | R185, R199, R285, R299 |
| A10266-2751 | 2.7 MOHM .25W 5% CF T/R | 2 | R331, R431 |
| A10266-3021 | 3.0 KOHM .25W 5 CF T/R | 4 | R158, R258, R306, R406 |
| A10266-3321 | 3.3 KOHM .25W 5% CF T/R | 4 | R320, R321, R420, R421 |
| A10266-3921 | 3.9 KOHM .25W 5% CF T/R | 4 | R14, R15, R342, R442 |
| A10266-4701 | 47.0 OHM .25W 5 CF T/R | 6 | R132, R133, R232, R233, R350, |
| | | | R450 |
| A10266-4711 | 470. OHM .25W 5% CF T/R | 20 | R134, R234, R310, R311, R313, |
| | | | R315, R316, R317, R324, R368, |
| | | | R369, R410, R411, R413, R415, |
| | | | R416, R417, R424, R468, R469, |
| A10266-4721 | 4.7 KOHM .25W 5% CF T/R | 6 | R140, R161, R162, R240, R261, |
| | | | R262 |
| A10266-4731 | 47. KOHM .25W 5% CF25 T/R | 14 | R339, R344, R346, R353, R354, |
| | | | R355, R356, R439, R444, R446, |
| | | | R453, R454, R455, R456 |
| A10266-4741 | 470. KOHM .25W 5% CF T/R | 2 | R330, R430 |
| A10266-5111 | 510. OHM .25W 5 CF T/R | 2 | R120, R220 |
| A10266-5121 | 5.1 KOHM .25W 5 CF T/R | 4 | R326, R340, R426, R440 |
| A10266-5601 | 56.0 OHM .25W 5% CF T/R | 4 | R139, R141, R239, R241 |
| A10266-5621 | 5.6 KOHM .25W 5% CF T/R | 2 | R171, R271 |
| A10266-5641 | 560. KOHM .25W 5% CF T/R | 1 | R16 |
| A10266-6831 | 68. KOHM .25W 5% CF T/R | 4 | R128, R129, R228, R229 |
| A10266-7521 | 7.5 KOHM .25W 5% CF T/R | 2 | R327, R427 |
| A10266-8211 | 820. OHM .25W 5% CF T/R | 4 | R136, R137, R236, R237 |
| A10266-8231 | 82. KOHM .25W 5% CF T/R | 2 | R328, R428 |
| A10266-9111 | 910. OHM .25W 5 CF T/R | 1 | R11 |
| A10434-104JD | .1UF 250V 5% MTL POLY FILM T | 2 | C164, C264 |
| | | | |
| | | | |

INACTIVE

For Reference Use Only

CROWN INTERNATIONAL INC.

1718 WEST MISHAWAKA ROAD ELKHART, INDIANA 46517 PHONE (219) 294-8000

THESE DRAWINGS AND SPECIFICATIONS ARE THE PROPERTY OF CROWN INTERNATIONAL, INC. AND SHALL NOT BE REPRODUCED, COPIED, OR USED AS THE BASIS FOR THE MANUFACTURE OR SALE OF APPARATUS OR DEVICES WITHOUT PERMISSION.

| | | | | | |
|-------|---------|----------|----------|------------------|-----|
| DRAWN | DWW | 09/25/97 | DWG. NO. | SHEET 3 | REV |
| PROJ. | MD360D0 | | 125275 | CONT. ON SHEET 4 | (A) |

PARTS LIST

| C. P. N. | DESCRIPTION | QTY | REFERENCE DESIGNATION |
|----------|------------------------------|-----|--|
| C 2851-1 | RECTIFIER, 1N4004 SILICON T/ | 11 | D1, D129, D132, D2, D229, D232, D3, D4, D5, D6, D7 |
| C 3181-2 | DIODE, 1N4148 T/R | 57 | D10, D100, D101, D102, D103, D104, D105, D106, D107, D108, D109, D11, D111, D112, D115, D116, D118, D119, D12, D121, D122, D123, D124, D125, D127, D13, D130, D131, D133, D134, D200, D201, D202, D203, D204, D205, D206, D207, D208, D209, D211, D212, D215, D216, D218, D219, D221, D222, D223, D224, D225, D227, D230, D231, D233, D234, D9 |
| C 3451-9 | IC SOCKET, 8PIN DIP 2-640463 | 1 | U3X |
| C 3533-4 | DIODE, 1N966B 16V ZENER T/R | 2 | D128, D228 |
| C 3578-9 | MPSA93 200V PNP T/R | 6 | Q104, Q106, Q130, Q204, Q206, Q230 |
| C 3625-8 | 2N4125 30V PNP T/R | 22 | Q100, Q101, Q114, Q116, Q118, Q120, Q122, Q123, Q124, Q125, Q129, Q200, Q201, Q214, Q216, Q218, Q220, Q222, Q223, Q224, Q225, Q229 |
| C 3786-8 | MPS4250A 40V PNP T/R | 8 | Q103, Q108, Q111, Q115, Q203, Q208, Q211, Q215 |
| C 3810-6 | MPSA42 300V NPN T/R | 6 | Q105, Q109, Q127, Q205, Q209, Q227 |
| C 4303-1 | 1000UF 35V AXIAL CAP | 2 | C1, C2 |
| C 4345-2 | LM339N VOLT COMPARATOR | 2 | U107, U207 |
| C 5061-4 | DIODE, 1N3070 10K/T&R | 8 | D110, D113, D114, D117, D210, D213, D214, D217 |
| C 5062-2 | 100KOHM LINEAR TRIMPOT | 4 | R186, R286, R300, R400 |
| C 5082-0 | DIODE, 1N4733A 5.1V ZENER T | 1 | D8 |
| C 5095-2 | MC7815CT +15V. REG | 1 | U1 |
| C 5096-0 | MC7915CT -15V. REG | 1 | U2 |
| C 5215-6 | 22. MOHM .25W 5 THICK FILM T | 4 | R121, R164, R221, R264 |
| C 5311-3 | 22UF 50V 20% NP VERT T/A | 2 | C107, C207 |
| C 5362-6 | 2.2UF 50V VERT ELECT T/A | 3 | C151, C251, C4 |
| C 5891-4 | MTS105 THERMAL SENSE T/R | 4 | Q107, Q110, Q207, Q210 |
| C 6048-0 | 500 OHM PIHER TRIM | 2 | R361, R461 |
| C 6411-0 | H11C2 OPTO SCR | 2 | U106, U206 |
| C 6564-6 | 10P DBLROW UNSHRD HDR 87230- | 2 | TP100, TP200 |
| C 6781-6 | 6P3T MONO/STEREO SWITCH | 1 | S2 |
| C 6802-0 | .47UF 50V AXIAL CER T/R 474 | 2 | C152, C252 |
| C 6804-6 | .1UF 50V AXIAL CER T/R 104 | 24 | C134, C135, C136, C137, C138, C139, C141, C144, C145, C160, C161, C234, C235, C236, C237, |

INACTIVE

For Reference Use Only

| | | | |
|---------------------------------|---------|------------------------|----------|
| CROWN INTERNATIONAL INC. | | | |
| 1718 WEST MISHAWAKA ROAD | | ELKHART, INDIANA 46517 | |
| | | PHONE (219) 294-8000 | |
| DRAWN | DWW | 09/25/97 | DWG. NO. |
| PROJ. | MD360D0 | 125275 | |
| | | SHEET 4 | REV |
| | | CONT. ON | (A) |
| | | SHEET 5 | |

THESE DRAWINGS AND SPECIFICATIONS ARE THE PROPERTY OF CROWN INTERNATIONAL, INC. AND SHALL NOT BE REPRODUCED, COPIED, OR USED AS THE BASIS FOR THE MANUFACTURE OR SALE OF APPARATUS OR DEVICES WITHOUT PERMISSION.

PARTS LIST

| C. P. N. | DESCRIPTION | QTY | REFERENCE DESIGNATION |
|----------|------------------------------|-----|-------------------------------|
| | | | C238, C239, C241, C244, C245, |
| | | | C267, C268, C3, C5 |
| C 6805-3 | .022UF 100V AXIALCER T/R 223 | 8 | C103, C104, C115, C116, C215, |
| | | | C216, C265, C266 |
| C 6806-1 | .01UF 100V AXIAL CER T/R 103 | 6 | C117, C124, C131, C217, C224, |
| | | | C231 |
| C 6807-9 | .001UF 100V 10% AXL CER T/R | 4 | C122, C123, C222, C223 |
| C 6808-7 | 470.PF 100V 5% NPO AXL CER T | 2 | C120, C220 |
| C 6810-3 | 180PF 100V AXIAL CER T/R 181 | 2 | C121, C221 |
| C 6811-1 | 100PF 200V 10% NPO AXL CER T | 11 | C126, C158, C159, C162, C163, |
| | | | C226, C258, C259, C262, C263, |
| | | | C8 |
| C 6812-9 | 47PF 200V 10% NPO AXL CER | 16 | C106, C110, C111, C112, C113, |
| | | | C114, C128, C133, C206, C210, |
| | | | C211, C212, C213, C214, C228, |
| | | | C233 |
| C 6813-7 | 27PF 200V 10% NPO AXIAL CER | 8 | C100, C101, C102, C130, C200, |
| | | | C201, C202, C230 |
| C 6814-5 | 12PF 200V AXIAL CER T/R 120 | 6 | C118, C119, C129, C218, C219, |
| | | | C229 |
| C 6950-7 | 82PF 200V 5% NPO AXIAL CER T | 2 | C127, C227 |
| C 7444-0 | LM393 DUAL COMPARATOR | 2 | U101, U201 |
| C 7458-0 | 2N4123 30V NPN T/R | 12 | Q113, Q117, Q119, Q121, Q126, |
| | | | Q128, Q213, Q217, Q219, Q221, |
| | | | Q226, Q228 |
| C 7526-4 | 3POS .1 CENTER MTA HEADER | 1 | J1 |
| C 7558-7 | MC33079P QUAD LOW NOISE OP A | 2 | U103, U203 |
| C 7597-5 | J202 N-CHANNEL JFET | 2 | Q131, Q231 |
| C 7636-1 | MC33078P DUAL LOW NOISE OP A | 3 | U109, U209, U4 |
| C 7779-9 | 22. OHM .25W 5% FU/FP T/R | 8 | R309, R312, R314, R318, R409, |
| | | | R412, R414, R418 |
| C 7960-5 | DPDT 3POS PC SLIDE SWITCH | 1 | S1 |
| C 7964-7 | .22UF 100V AXIAL CER CAP T/R | 4 | C140, C146, C240, C246 |
| C 8182-5 | 1N753A 6.2V .5W ZENER DIODE | 2 | D120, D220 |
| C 8576-8 | 100UF 35V 10% ALUM ELECT T/A | 6 | C105, C149, C150, C205, C249, |
| | | | C250 |
| C 8812-7 | 5.5" CABLE TIE | 4 | HW10, HW7, HW8, HW9 |
| C 8836-6 | 100 OHM .5W 5% FU/FP T/R | 4 | R152, R155, R252, R255 |
| C 8897-8 | .1UF 100V 20% Z5U RAD CER T/ | 11 | C10, C109, C125, C132, C153, |
| | | | C209, C225, C232, C253, C6, |
| | | | C9 |
| C 9079-2 | 200.OHM TOP ADJ CERMET TRIMM | 2 | R103, R203 |
| C 9464-6 | 10PF 100V 5% NPO RAD CER T/R | 2 | C108, C208 |
| C 9494-3 | HEATSINK, T0220 PLUG IN | 2 | U1X, U2X |
| C 9857-1 | LED, RED T1 .1 LEAD SPACE T/ | 4 | E100, E101, E200, E201 |
| C10208-4 | 100.UF 25V 20% RAD ELECT T/R | 5 | C171, C172, C271, C272, C7, |
| C10570-7 | 20 PIN HDR PICO FLEX TIN | 1 | J2A |

INACTIVE

For Reference Use Only

CROWN INTERNATIONAL INC.

1718 WEST MISHAWAKA ROAD ELKHART, INDIANA 46517 PHONE (219) 294-8000

THESE DRAWINGS AND SPECIFICATIONS ARE THE PROPERTY OF CROWN INTERNATIONAL, INC. AND SHALL NOT BE REPRODUCED, COPIED, OR USED AS THE BASIS FOR THE MANUFACTURE OR SALE OF APPARATUS OR DEVICES WITHOUT PERMISSION.

| | | | | | |
|-------|---------|----------|----------|------------------|-----|
| DRAWN | DWW | 09/25/97 | DWG. NO. | SHEET 5 | REV |
| PROJ. | MD360D0 | | 125275 | CONT. ON SHEET 6 | (A) |

PARTS LIST

| REF DES | C. P. N. | DESCRIPTION | MAP LOC. |
|---------|----------|--------------------------------|----------|
| 1 | 125266-1 | PWB; CT'10A MAIN (DUAL POT) | |
| C1 | C 4303-1 | 1000UF 35V AXIAL CAP | H 4 |
| C2 | C 4303-1 | 1000UF 35V AXIAL CAP | I 4 |
| C3 | C 6804-6 | .1UF 50V AXIAL CER T/R 104 | J 5 |
| C4 | C 5362-6 | 2.2UF 50V VERT ELECT T/A | J 5 |
| C5 | C 6804-6 | .1UF 50V AXIAL CER T/R 104 | I 2 |
| C6 | C 8897-8 | .1UF 100V 20% Z5U RAD CER T/R | E 1 |
| C7 | C10208-4 | 100.UF 25V 20% RAD ELECT T/R | G 5 |
| C8 | C 6811-1 | 100PF 200V 10% NPO AXL CER T/R | E 6 |
| C9 | C 8897-8 | .1UF 100V 20% Z5U RAD CER T/R | I 6 |
| C10 | C 8897-8 | .1UF 100V 20% Z5U RAD CER T/R | H 5 |
| C100 | C 6813-7 | 27PF 200V 10% NPO AXIAL CER | J 3 |
| C101 | C 6813-7 | 27PF 200V 10% NPO AXIAL CER | J 2 |
| C102 | C 6813-7 | 27PF 200V 10% NPO AXIAL CER | J 2 |
| C103 | C 6805-3 | .022UF 100V AXIALCER T/R 223 | J 2 |
| C104 | C 6805-3 | .022UF 100V AXIALCER T/R 223 | K 3 |
| C105 | C 8576-8 | 100UF 35V 10% ALUM ELECT T/A | I 1 |
| C106 | C 6812-9 | 47PF 200V 10% NPO AXL CER | J 2 |
| C107 | C 5311-3 | 22UF 50V 20% NP VERT T/A | K 1 |
| C108 | C 9464-6 | 10PF 100V 5% NPO RAD CER T/R | K 2 |
| C109 | C 8897-8 | .1UF 100V 20% Z5U RAD CER T/R | J 2 |
| C110 | C 6812-9 | 47PF 200V 10% NPO AXL CER | K 2 |
| C111 | C 6812-9 | 47PF 200V 10% NPO AXL CER | L 3 |
| C112 | C 6812-9 | 47PF 200V 10% NPO AXL CER | L 2 |
| C113 | C 6812-9 | 47PF 200V 10% NPO AXL CER | L 3 |
| C114 | C 6812-9 | 47PF 200V 10% NPO AXL CER | L 3 |
| C115 | C 6805-3 | .022UF 100V AXIALCER T/R 223 | L 3 |
| C116 | C 6805-3 | .022UF 100V AXIALCER T/R 223 | L 2 |
| C117 | C 6806-1 | .01UF 100V AXIAL CER T/R 103 | M 3 |
| C118 | C 6814-5 | 12PF 200V AXIAL CER T/R 120 | M 2 |
| C119 | C 6814-5 | 12PF 200V AXIAL CER T/R 120 | M 3 |
| C120 | C 6808-7 | 470.PF 100V 5% NPO AXL CER T/R | P 5 |
| C121 | C 6810-3 | 180PF 100V AXIAL CER T/R 181 | M 4 |
| C122 | C 6807-9 | .001UF 100V 10% AXL CER T/R | P 5 |
| C123 | C 6807-9 | .001UF 100V 10% AXL CER T/R | O 5 |
| C124 | C 6806-1 | .01UF 100V AXIAL CER T/R 103 | K 4 |
| C125 | C 8897-8 | .1UF 100V 20% Z5U RAD CER T/R | K 4 |
| C126 | C 6811-1 | 100PF 200V 10% NPO AXL CER T/R | K 4 |
| C127 | C 6950-7 | 82PF 200V 5% NPO AXIAL CER T/R | K 4 |
| C128 | C 6812-9 | 47PF 200V 10% NPO AXL CER | K 3 |
| C129 | C 6814-5 | 12PF 200V AXIAL CER T/R 120 | K 3 |
| C130 | C 6813-7 | 27PF 200V 10% NPO AXIAL CER | K 3 |
| C131 | C 6806-1 | .01UF 100V AXIAL CER T/R 103 | K 3 |
| C132 | C 8897-8 | .1UF 100V 20% Z5U RAD CER T/R | K 3 |
| C133 | C 6812-9 | 47PF 200V 10% NPO AXL CER | K 3 |
| C134 | C 6804-6 | .1UF 50V AXIAL CER T/R 104 | P 3 |
| C135 | C 6804-6 | .1UF 50V AXIAL CER T/R 104 | O 3 |
| | | | |
| | | | |
| | | | |

INACTIVE

For Reference Use Only

CROWN INTERNATIONAL INC.

1718 WEST MISHAWAKA ROAD ELKHART, INDIANA 46517 PHONE (219) 294-8000

THESE DRAWINGS AND SPECIFICATIONS ARE THE PROPERTY OF CROWN INTERNATIONAL, INC. AND SHALL NOT BE REPRODUCED, COPIED, OR USED AS THE BASIS FOR THE MANUFACTURE OR SALE OF APPARATUS OR DEVICES WITHOUT PERMISSION.

| | | | | | |
|-------|---------|----------|----------|------------------|-----|
| DRAWN | DWW | 09/25/97 | DWG. NO. | SHEET 7 | REV |
| PROJ. | MD360D0 | | 125275 | CONT. ON SHEET 8 | (A) |

PARTS LIST

| REF DES | C.P.N. | DESCRIPTION | MAP LOC. |
|---------|--------------|--------------------------------|----------|
| C136 | C 6804-6 | .1UF 50V AXIAL CER T/R 104 | O 2 |
| C137 | C 6804-6 | .1UF 50V AXIAL CER T/R 104 | P 2 |
| C138 | C 6804-6 | .1UF 50V AXIAL CER T/R 104 | O 4 |
| C139 | C 6804-6 | .1UF 50V AXIAL CER T/R 104 | P 4 |
| C140 | C 7964-7 | .22UF 100V AXIAL CER CAP T/R | O 4 |
| C141 | C 6804-6 | .1UF 50V AXIAL CER T/R 104 | O 4 |
| C142 | C10588-9 | 15UF 35V 20% NP RAD ELECT T/R | N 4 |
| C143 | C10587-1 | 220UF 25V 20% NP RAD ELECT T/R | N 5 |
| C144 | C 6804-6 | .1UF 50V AXIAL CER T/R 104 | P 3 |
| C145 | C 6804-6 | .1UF 50V AXIAL CER T/R 104 | P 4 |
| C146 | C 7964-7 | .22UF 100V AXIAL CER CAP T/R | P 4 |
| C147 | C10588-9 | 15UF 35V 20% NP RAD ELECT T/R | P 4 |
| C148 | C10587-1 | 220UF 25V 20% NP RAD ELECT T/R | P 5 |
| C149 | C 8576-8 | 100UF 35V 10% ALUM ELECT T/A | M 5 |
| C150 | C 8576-8 | 100UF 35V 10% ALUM ELECT T/A | M 4 |
| C151 | C 5362-6 | 2.2UF 50V VERT ELECT T/A | L 5 |
| C152 | C 6802-0 | .47UF 50V AXIAL CER T/R 474 | L 5 |
| C153 | C 8897-8 | .1UF 100V 20% Z5U RAD CER T/R | K 5 |
| C156 | | DO NOT INSTALL | M 4 |
| C157 | | DO NOT INSTALL | M 4 |
| C158 | C 6811-1 | 100PF 200V 10% NPO AXL CER T/R | N 4 |
| C159 | C 6811-1 | 100PF 200V 10% NPO AXL CER T/R | N 3 |
| C160 | C 6804-6 | .1UF 50V AXIAL CER T/R 104 | N 4 |
| C161 | C 6804-6 | .1UF 50V AXIAL CER T/R 104 | N 3 |
| C162 | C 6811-1 | 100PF 200V 10% NPO AXL CER T/R | I 4 |
| C163 | C 6811-1 | 100PF 200V 10% NPO AXL CER T/R | I 4 |
| C164 | A10434-104JD | .1UF 250V 5% MTL POLY FILM T/A | O 6 |
| C171 | C10208-4 | 100.UF 25V 20% RAD ELECT T/R | J 1 |
| C172 | C10208-4 | 100.UF 25V 20% RAD ELECT T/R | J 1 |
| C200 | C 6813-7 | 27PF 200V 10% NPO AXIAL CER | G 3 |
| C201 | C 6813-7 | 27PF 200V 10% NPO AXIAL CER | G 2 |
| C202 | C 6813-7 | 27PF 200V 10% NPO AXIAL CER | G 2 |
| C205 | C 8576-8 | 100UF 35V 10% ALUM ELECT T/A | H 1 |
| C206 | C 6812-9 | 47PF 200V 10% NPO AXL CER | G 2 |
| C207 | C 5311-3 | 22UF 50V 20% NP VERT T/A | F 1 |
| C208 | C 9464-6 | 10PF 100V 5% NPO RAD CER T/R | F 2 |
| C209 | C 8897-8 | .1UF 100V 20% Z5U RAD CER T/R | G 2 |
| C210 | C 6812-9 | 47PF 200V 10% NPO AXL CER | F 2 |
| C211 | C 6812-9 | 47PF 200V 10% NPO AXL CER | E 3 |
| C212 | C 6812-9 | 47PF 200V 10% NPO AXL CER | E 2 |
| C213 | C 6812-9 | 47PF 200V 10% NPO AXL CER | E 3 |
| C214 | C 6812-9 | 47PF 200V 10% NPO AXL CER | E 3 |
| C215 | C 6805-3 | .022UF 100V AXIALCER T/R 223 | E 3 |
| C216 | C 6805-3 | .022UF 100V AXIALCER T/R 223 | E 2 |
| C217 | C 6806-1 | .01UF 100V AXIAL CER T/R 103 | D 3 |
| C218 | C 6814-5 | 12PF 200V AXIAL CER T/R 120 | D 2 |
| C219 | C 6814-5 | 12PF 200V AXIAL CER T/R 120 | D 3 |
| | | | |
| | | | |
| | | | |

INACTIVE

For Reference Use Only

CROWN INTERNATIONAL INC.

1718 WEST MISHAWAKA ROAD ELKHART, INDIANA 46517 PHONE (219) 294-8000

THESE DRAWINGS AND SPECIFICATIONS ARE THE PROPERTY OF CROWN INTERNATIONAL, INC. AND SHALL NOT BE REPRODUCED, COPIED, OR USED AS THE BASIS FOR THE MANUFACTURE OR SALE OF APPARATUS OR DEVICES WITHOUT PERMISSION.

| | | | | | |
|-------|---------|----------|----------|------------------|-----|
| DRAWN | DWW | 09/25/97 | DWG. NO. | SHEET 8 | REV |
| PROJ. | MD360D0 | | 125275 | CONT. ON SHEET 9 | (A) |

PARTS LIST

| REF DES | C.P.N. | DESCRIPTION | MAP LOC. |
|---------|--------------|--------------------------------|----------|
| C220 | C 6808-7 | 470.PF 100V 5% NPO AXL CER T/R | A 5 |
| C221 | C 6810-3 | 180PF 100V AXIAL CER T/R 181 | D 4 |
| C222 | C 6807-9 | .001UF 100V 10% AXL CER T/R | A 5 |
| C223 | C 6807-9 | .001UF 100V 10% AXL CER T/R | B 5 |
| C224 | C 6806-1 | .01UF 100V AXIAL CER T/R 103 | F 4 |
| C225 | C 8897-8 | .1UF 100V 20% Z5U RAD CER T/R | F 4 |
| C226 | C 6811-1 | 100PF 200V 10% NPO AXL CER T/R | F 4 |
| C227 | C 6950-7 | 82PF 200V 5% NPO AXIAL CER T/R | F 4 |
| C228 | C 6812-9 | 47PF 200V 10% NPO AXL CER | F 3 |
| C229 | C 6814-5 | 12PF 200V AXIAL CER T/R 120 | F 3 |
| C230 | C 6813-7 | 27PF 200V 10% NPO AXIAL CER | F 3 |
| C231 | C 6806-1 | .01UF 100V AXIAL CER T/R 103 | F 3 |
| C232 | C 8897-8 | .1UF 100V 20% Z5U RAD CER T/R | F 3 |
| C233 | C 6812-9 | 47PF 200V 10% NPO AXL CER | F 3 |
| C234 | C 6804-6 | .1UF 50V AXIAL CER T/R 104 | B 3 |
| C235 | C 6804-6 | .1UF 50V AXIAL CER T/R 104 | A 3 |
| C236 | C 6804-6 | .1UF 50V AXIAL CER T/R 104 | A 2 |
| C237 | C 6804-6 | .1UF 50V AXIAL CER T/R 104 | B 2 |
| C238 | C 6804-6 | .1UF 50V AXIAL CER T/R 104 | A 4 |
| C239 | C 6804-6 | .1UF 50V AXIAL CER T/R 104 | B 4 |
| C240 | C 7964-7 | .22UF 100V AXIAL CER CAP T/R | A 4 |
| C241 | C 6804-6 | .1UF 50V AXIAL CER T/R 104 | A 4 |
| C242 | C10588-9 | 15UF 35V 20% NP RAD ELECT T/R | A 4 |
| C243 | C10587-1 | 220UF 25V 20% NP RAD ELECT T/R | A 4 |
| C244 | C 6804-6 | .1UF 50V AXIAL CER T/R 104 | B 3 |
| C245 | C 6804-6 | .1UF 50V AXIAL CER T/R 104 | B 4 |
| C246 | C 7964-7 | .22UF 100V AXIAL CER CAP T/R | B 4 |
| C247 | C10588-9 | 15UF 35V 20% NP RAD ELECT T/R | C 4 |
| C248 | C10587-1 | 220UF 25V 20% NP RAD ELECT T/R | C 5 |
| C249 | C 8576-8 | 100UF 35V 10% ALUM ELECT T/A | D 5 |
| C250 | C 8576-8 | 100UF 35V 10% ALUM ELECT T/A | D 4 |
| C251 | C 5362-6 | 2.2UF 50V VERT ELECT T/A | E 5 |
| C252 | C 6802-0 | .47UF 50V AXIAL CER T/R 474 | E 5 |
| C253 | C 8897-8 | .1UF 100V 20% Z5U RAD CER T/R | F 5 |
| C256 | | DO NOT INSTALL | D 4 |
| C257 | | DO NOT INSTALL | D 4 |
| C258 | C 6811-1 | 100PF 200V 10% NPO AXL CER T/R | C 4 |
| C259 | C 6811-1 | 100PF 200V 10% NPO AXL CER T/R | C 3 |
| C262 | C 6811-1 | 100PF 200V 10% NPO AXL CER T/R | H 4 |
| C263 | C 6811-1 | 100PF 200V 10% NPO AXL CER T/R | H 4 |
| C264 | A10434-104JD | .1UF 250V 5% MTL POLY FILM T/A | B 6 |
| C265 | C 6805-3 | .022UF 100V AXIALCER T/R 223 | F 3 |
| C266 | C 6805-3 | .022UF 100V AXIALCER T/R 223 | G 2 |
| C267 | C 6804-6 | .1UF 50V AXIAL CER T/R 104 | C 3 |
| C268 | C 6804-6 | .1UF 50V AXIAL CER T/R 104 | C 3 |
| C271 | C10208-4 | 100.UF 25V 20% RAD ELECT T/R | G 1 |
| C272 | C10208-4 | 100.UF 25V 20% RAD ELECT T/R | G 1 |
| | | | |
| | | | |
| | | | |

INACTIVE

For Reference Use Only

| | | | |
|---------------------------------|---------|------------------------|----------------------|
| CROWN INTERNATIONAL INC. | | | |
| 1718 WEST MISHAWAKA ROAD | | ELKHART, INDIANA 46517 | PHONE (219) 294-8000 |
| DRAWN | DWW | 09/25/97 | DWG. NO. |
| PROJ. | MD360D0 | 125275 | |
| | | SHEET 9 | REV (A) |
| | | CONT. ON | |
| | | SHEET 10 | |

THESE DRAWINGS AND SPECIFICATIONS ARE THE PROPERTY OF CROWN INTERNATIONAL, INC. AND SHALL NOT BE REPRODUCED, COPIED, OR USED AS THE BASIS FOR THE MANUFACTURE OR SALE OF APPARATUS OR DEVICES WITHOUT PERMISSION.

PARTS LIST

| REF DES | C.P.N. | DESCRIPTION | MAP LOC. |
|---------|----------|-------------------------------|----------|
| D1 | C 2851-1 | RECTIFIER, 1N4004 SILICON T/R | G 4 |
| D2 | C 2851-1 | RECTIFIER, 1N4004 SILICON T/R | G 5 |
| D3 | C 2851-1 | RECTIFIER, 1N4004 SILICON T/R | G 4 |
| D4 | C 2851-1 | RECTIFIER, 1N4004 SILICON T/R | G 5 |
| D5 | C 2851-1 | RECTIFIER, 1N4004 SILICON T/R | J 4 |
| D6 | C 2851-1 | RECTIFIER, 1N4004 SILICON T/R | J 4 |
| D7 | C 2851-1 | RECTIFIER, 1N4004 SILICON T/R | J 5 |
| D8 | C 5082-0 | DIODE, 1N4733A 5.1V ZENER T/R | I 2 |
| D9 | C 3181-2 | DIODE, 1N4148 T/R | H 6 |
| D10 | C 3181-2 | DIODE, 1N4148 T/R | H 6 |
| D11 | C 3181-2 | DIODE, 1N4148 T/R | H 6 |
| D12 | C 3181-2 | DIODE, 1N4148 T/R | H 6 |
| D13 | C 3181-2 | DIODE, 1N4148 T/R | I 6 |
| D100 | C 3181-2 | DIODE, 1N4148 T/R | K 2 |
| D101 | C 3181-2 | DIODE, 1N4148 T/R | K 2 |
| D102 | C 3181-2 | DIODE, 1N4148 T/R | L 3 |
| D103 | C 3181-2 | DIODE, 1N4148 T/R | L 2 |
| D104 | C 3181-2 | DIODE, 1N4148 T/R | M 3 |
| D105 | C 3181-2 | DIODE, 1N4148 T/R | M 3 |
| D106 | C 3181-2 | DIODE, 1N4148 T/R | M 3 |
| D107 | C 3181-2 | DIODE, 1N4148 T/R | M 3 |
| D108 | C 3181-2 | DIODE, 1N4148 T/R | M 2 |
| D109 | C 3181-2 | DIODE, 1N4148 T/R | M 2 |
| D110 | C 5061-4 | DIODE, 1N3070 10K/T&R | M 2 |
| D111 | C 3181-2 | DIODE, 1N4148 T/R | O 5 |
| D112 | C 3181-2 | DIODE, 1N4148 T/R | P 5 |
| D113 | C 5061-4 | DIODE, 1N3070 10K/T&R | M 3 |
| D114 | C 5061-4 | DIODE, 1N3070 10K/T&R | K 4 |
| D115 | C 3181-2 | DIODE, 1N4148 T/R | K 4 |
| D116 | C 3181-2 | DIODE, 1N4148 T/R | K 3 |
| D117 | C 5061-4 | DIODE, 1N3070 10K/T&R | K 3 |
| D118 | C 3181-2 | DIODE, 1N4148 T/R | J 3 |
| D119 | C 3181-2 | DIODE, 1N4148 T/R | J 3 |
| D120 | C 8182-5 | 1N753A 6.2V .5W ZENER DIODE | O 3 |
| D121 | C 3181-2 | DIODE, 1N4148 T/R | L 5 |
| D122 | C 3181-2 | DIODE, 1N4148 T/R | L 5 |
| D123 | C 3181-2 | DIODE, 1N4148 T/R | L 6 |
| D124 | C 3181-2 | DIODE, 1N4148 T/R | L 6 |
| D125 | C 3181-2 | DIODE, 1N4148 T/R | L 6 |
| D127 | C 3181-2 | DIODE, 1N4148 T/R | L 6 |
| D128 | C 3533-4 | DIODE, 1N966B 16V ZENER T/R | L 5 |
| D129 | C 2851-1 | RECTIFIER, 1N4004 SILICON T/R | L 5 |
| D130 | C 3181-2 | DIODE, 1N4148 T/R | K 4 |
| D131 | C 3181-2 | DIODE, 1N4148 T/R | K 3 |
| D132 | C 2851-1 | RECTIFIER, 1N4004 SILICON T/R | L 5 |
| D133 | C 3181-2 | DIODE, 1N4148 T/R | J 1 |
| D134 | C 3181-2 | DIODE, 1N4148 T/R | J 2 |
| | | | |
| | | | |
| | | | |

INACTIVE

For Reference Use Only

CROWN INTERNATIONAL INC.

1718 WEST MISHAWAKA ROAD ELKHART, INDIANA 46517 PHONE (219) 294-8000

THESE DRAWINGS AND SPECIFICATIONS ARE THE PROPERTY OF CROWN INTERNATIONAL, INC. AND SHALL NOT BE REPRODUCED, COPIED, OR USED AS THE BASIS FOR THE MANUFACTURE OR SALE OF APPARATUS OR DEVICES WITHOUT PERMISSION.

| | | | | | |
|-------|---------|----------|----------|-------------------|----------|
| DRAWN | DWW | 09/25/97 | DWG. NO. | SHEET 10 | REV A |
| PROJ. | MD360D0 | | 125275 | CONT. ON SHEET 11 | |

PARTS LIST

| REF DES | C.P.N. | DESCRIPTION | MAP LOC. |
|---------|----------|-------------------------------|----------|
| D200 | C 3181-2 | DIODE, 1N4148 T/R | F 2 |
| D201 | C 3181-2 | DIODE, 1N4148 T/R | F 2 |
| D202 | C 3181-2 | DIODE, 1N4148 T/R | E 3 |
| D203 | C 3181-2 | DIODE, 1N4148 T/R | E 2 |
| D204 | C 3181-2 | DIODE, 1N4148 T/R | D 3 |
| D205 | C 3181-2 | DIODE, 1N4148 T/R | D 3 |
| D206 | C 3181-2 | DIODE, 1N4148 T/R | D 3 |
| D207 | C 3181-2 | DIODE, 1N4148 T/R | D 3 |
| D208 | C 3181-2 | DIODE, 1N4148 T/R | D 2 |
| D209 | C 3181-2 | DIODE, 1N4148 T/R | D 2 |
| D210 | C 5061-4 | DIODE, 1N3070 10K/T&R | D 2 |
| D211 | C 3181-2 | DIODE, 1N4148 T/R | B 5 |
| D212 | C 3181-2 | DIODE, 1N4148 T/R | A 5 |
| D213 | C 5061-4 | DIODE, 1N3070 10K/T&R | D 3 |
| D214 | C 5061-4 | DIODE, 1N3070 10K/T&R | F 4 |
| D215 | C 3181-2 | DIODE, 1N4148 T/R | F 4 |
| D216 | C 3181-2 | DIODE, 1N4148 T/R | F 3 |
| D217 | C 5061-4 | DIODE, 1N3070 10K/T&R | F 3 |
| D218 | C 3181-2 | DIODE, 1N4148 T/R | G 3 |
| D219 | C 3181-2 | DIODE, 1N4148 T/R | G 3 |
| D220 | C 8182-5 | 1N753A 6.2V .5W ZENER DIODE | A 3 |
| D221 | C 3181-2 | DIODE, 1N4148 T/R | E 5 |
| D222 | C 3181-2 | DIODE, 1N4148 T/R | E 5 |
| D223 | C 3181-2 | DIODE, 1N4148 T/R | E 6 |
| D224 | C 3181-2 | DIODE, 1N4148 T/R | E 6 |
| D225 | C 3181-2 | DIODE, 1N4148 T/R | E 6 |
| D227 | C 3181-2 | DIODE, 1N4148 T/R | E 6 |
| D228 | C 3533-4 | DIODE, 1N966B 16V ZENER T/R | E 5 |
| D229 | C 2851-1 | RECTIFIER, 1N4004 SILICON T/R | E 5 |
| D230 | C 3181-2 | DIODE, 1N4148 T/R | F 4 |
| D231 | C 3181-2 | DIODE, 1N4148 T/R | F 3 |
| D232 | C 2851-1 | RECTIFIER, 1N4004 SILICON T/R | E 5 |
| D233 | C 3181-2 | DIODE, 1N4148 T/R | G 1 |
| D234 | C 3181-2 | DIODE, 1N4148 T/R | G 2 |
| E100 | C 9857-1 | LED, RED T1 .1 LEAD SPACE T/R | M 5 |
| E101 | C 9857-1 | LED, RED T1 .1 LEAD SPACE T/R | M 5 |
| E200 | C 9857-1 | LED, RED T1 .1 LEAD SPACE T/R | D 5 |
| E201 | C 9857-1 | LED, RED T1 .1 LEAD SPACE T/R | D 5 |
| HW7 | C 8812-7 | 5.5" CABLE TIE | A 6 |
| HW8 | C 8812-7 | 5.5" CABLE TIE | C 6 |
| HW9 | C 8812-7 | 5.5" CABLE TIE | N 6 |
| HW10 | C 8812-7 | 5.5" CABLE TIE | P 6 |
| J1 | C 7526-4 | 3POS .1 CENTER MTA HEADER | I 6 |
| J2A | C10570-7 | 20 PIN HDR PICOFLEX TIN | I 3 |
| J2B | C10571-5 | 18 PIN HDR PICOFLEX TIN | I 2 |
| J700 | D 8681-5 | CABLE, 10 INCH 12 PIN MTA | P 6 |
| J701 | D 8680-7 | CABLE, 6 INCH 12 PIN MTA | N 6 |
| | | | |
| | | | |
| | | | |

INACTIVE

For Reference Use Only

CROWN INTERNATIONAL INC.

1718 WEST MISHAWAKA ROAD ELKHART, INDIANA 46517 PHONE (219) 294-8000

THESE DRAWINGS AND SPECIFICATIONS ARE THE PROPERTY OF CROWN INTERNATIONAL, INC. AND SHALL NOT BE REPRODUCED, COPIED, OR USED AS THE BASIS FOR THE MANUFACTURE OR SALE OF APPARATUS OR DEVICES WITHOUT PERMISSION.

| | | | | | |
|-------|---------|----------|----------|----------|-----|
| DRAWN | DWW | 09/25/97 | DWG. NO. | SHEET 11 | REV |
| PROJ. | MD360D0 | | 125275 | CONT. ON | (A) |
| | | | | SHEET 12 | |

PARTS LIST

| REF DES | C.P.N. | DESCRIPTION | MAP LOC. |
|---------|----------|------------------------------|----------|
| J800 | D 8680-7 | CABLE, 6 INCH 12 PIN MTA | B 6 |
| J801 | D 8681-5 | CABLE, 10 INCH 12 PIN MTA | A 6 |
| J901X | 100375-1 | HDR, 14PIN, VERT, DOUBLE ROW | H 4 |
| N100 | D 6082-8 | RESISTOR NETWORK-C | L 3 |
| N200 | D 6082-8 | RESISTOR NETWORK-C | E 3 |
| Q100 | C 3625-8 | 2N4125 30V PNP T/R | K 2 |
| Q101 | C 3625-8 | 2N4125 30V PNP T/R | K 2 |
| Q102 | D 2961-7 | SPS8010 60V NPN T/R | M 4 |
| Q103 | C 3786-8 | MPS4250A 40V PNP T/R | M 2 |
| Q104 | C 3578-9 | MPSA93 200V PNP T/R | M 3 |
| Q105 | C 3810-6 | MPSA42 300V NPN T/R | M 2 |
| Q106 | C 3578-9 | MPSA93 200V PNP T/R | M 2 |
| Q107 | C 5891-4 | MTS105 THERMAL SENSE T/R | O 5 |
| Q108 | C 3786-8 | MPS4250A 40V PNP T/R | O 5 |
| Q109 | C 3810-6 | MPSA42 300V NPN T/R | M 4 |
| Q110 | C 5891-4 | MTS105 THERMAL SENSE T/R | O 5 |
| Q111 | C 3786-8 | MPS4250A 40V PNP T/R | O 5 |
| Q112 | D 2962-5 | MPSA18 45V NPN T/R | K 4 |
| Q113 | C 7458-0 | 2N4123 30V NPN T/R | J 4 |
| Q114 | C 3625-8 | 2N4125 30V PNP T/R | J 3 |
| Q115 | C 3786-8 | MPS4250A 40V PNP T/R | K 3 |
| Q116 | C 3625-8 | 2N4125 30V PNP T/R | O 1 |
| Q117 | C 7458-0 | 2N4123 30V NPN T/R | O 1 |
| Q118 | C 3625-8 | 2N4125 30V PNP T/R | M 5 |
| Q119 | C 7458-0 | 2N4123 30V NPN T/R | M 5 |
| Q120 | C 3625-8 | 2N4125 30V PNP T/R | M 4 |
| Q121 | C 7458-0 | 2N4123 30V NPN T/R | M 4 |
| Q122 | C 3625-8 | 2N4125 30V PNP T/R | M 4 |
| Q123 | C 3625-8 | 2N4125 30V PNP T/R | M 5 |
| Q124 | C 3625-8 | 2N4125 30V PNP T/R | M 4 |
| Q125 | C 3625-8 | 2N4125 30V PNP T/R | M 4 |
| Q126 | C 7458-0 | 2N4123 30V NPN T/R | L 4 |
| Q127 | C 3810-6 | MPSA42 300V NPN T/R | K 4 |
| Q128 | C 7458-0 | 2N4123 30V NPN T/R | M 4 |
| Q129 | C 3625-8 | 2N4125 30V PNP T/R | M 4 |
| Q130 | C 3578-9 | MPSA93 200V PNP T/R | L 4 |
| Q131 | C 7597-5 | J202 N-CHANNEL JFET | J 6 |
| Q200 | C 3625-8 | 2N4125 30V PNP T/R | F 2 |
| Q201 | C 3625-8 | 2N4125 30V PNP T/R | F 2 |
| Q202 | D 2961-7 | SPS8010 60V NPN T/R | D 4 |
| Q203 | C 3786-8 | MPS4250A 40V PNP T/R | D 2 |
| Q204 | C 3578-9 | MPSA93 200V PNP T/R | D 3 |
| Q205 | C 3810-6 | MPSA42 300V NPN T/R | C 2 |
| Q206 | C 3578-9 | MPSA93 200V PNP T/R | C 2 |
| Q207 | C 5891-4 | MTS105 THERMAL SENSE T/R | A 5 |
| Q208 | C 3786-8 | MPS4250A 40V PNP T/R | A 5 |
| Q209 | C 3810-6 | MPSA42 300V NPN T/R | D 4 |
| | | | |
| | | | |
| | | | |

INACTIVE

For Reference Use Only

THESE DRAWINGS AND SPECIFICATIONS ARE THE PROPERTY OF CROWN INTERNATIONAL, INC. AND SHALL NOT BE REPRODUCED, COPIED, OR USED AS THE BASIS FOR THE MANUFACTURE OR SALE OF APPARATUS OR DEVICES WITHOUT PERMISSION.

| | | | |
|---------------------------------|---------|------------------------|----------------------|
| CROWN INTERNATIONAL INC. | | | |
| 1718 WEST MISHAWAKA ROAD | | ELKHART, INDIANA 46517 | PHONE (219) 294-8000 |
| DRAWN | DWW | 09/25/97 | DWG. NO. |
| PROJ. | MD360D0 | 125275 | |
| | | SHEET 12 | REV |
| | | CONT. ON | (A) |
| | | SHEET 13 | |

PARTS LIST

| REF DES | C.P.N. | DESCRIPTION | MAP LOC. |
|---------|--------------|----------------------------|----------|
| Q210 | C 5891-4 | MTS105 THERMAL SENSE T/R | A 5 |
| Q211 | C 3786-8 | MPS4250A 40V PNP T/R | B 5 |
| Q212 | D 2962-5 | MPSA18 45V NPN T/R | F 4 |
| Q213 | C 7458-0 | 2N4123 30V NPN T/R | G 4 |
| Q214 | C 3625-8 | 2N4125 30V PNP T/R | G 3 |
| Q215 | C 3786-8 | MPS4250A 40V PNP T/R | F 3 |
| Q216 | C 3625-8 | 2N4125 30V PNP T/R | B 1 |
| Q217 | C 7458-0 | 2N4123 30V NPN T/R | B 1 |
| Q218 | C 3625-8 | 2N4125 30V PNP T/R | C 5 |
| Q219 | C 7458-0 | 2N4123 30V NPN T/R | C 5 |
| Q220 | C 3625-8 | 2N4125 30V PNP T/R | C 4 |
| Q221 | C 7458-0 | 2N4123 30V NPN T/R | C 4 |
| Q222 | C 3625-8 | 2N4125 30V PNP T/R | C 4 |
| Q223 | C 3625-8 | 2N4125 30V PNP T/R | D 5 |
| Q224 | C 3625-8 | 2N4125 30V PNP T/R | D 4 |
| Q225 | C 3625-8 | 2N4125 30V PNP T/R | D 4 |
| Q226 | C 7458-0 | 2N4123 30V NPN T/R | E 4 |
| Q227 | C 3810-6 | MPSA42 300V NPN T/R | F 4 |
| Q228 | C 7458-0 | 2N4123 30V NPN T/R | D 4 |
| Q229 | C 3625-8 | 2N4125 30V PNP T/R | D 4 |
| Q230 | C 3578-9 | MPSA93 200V PNP T/R | E 4 |
| Q231 | C 7597-5 | J202 N-CHANNEL JFET | G 6 |
| R1 | A10265-46421 | 46.4 KOHM .25W 1% MF T/R | E 2 |
| R2 | A10265-53621 | 53.6 KOHM .25W 1% MF T/R | F 2 |
| R4 | A10265-10031 | 100. KOHM .25W 1 MF T/R | G 5 |
| R5 | A10265-24921 | 24.9 KOHM .25W 1% MF T/R | G 5 |
| R6 | A10265-24921 | 24.9 KOHM .25W 1% MF T/R | F 5 |
| R7 | A10265-10031 | 100. KOHM .25W 1 MF T/R | F 5 |
| R8 | A10266-1051 | 1.0 MOHM .25W 5 CF T/R | H 2 |
| R9 | A10266-1051 | 1.0 MOHM .25W 5 CF T/R | H 2 |
| R10 | A10266-1051 | 1.0 MOHM .25W 5 CF T/R | H 2 |
| R11 | A10266-9111 | 910. OHM .25W 5 CF T/R | I 2 |
| R12 | A10124-24 | WIRE, #24 SOLID BUS | J 6 |
| R13 | A10124-24 | WIRE, #24 SOLID BUS | H 6 |
| R14 | A10266-3921 | 3.9 KOHM .25W 5% CF T/R | G 5 |
| R15 | A10266-3921 | 3.9 KOHM .25W 5% CF T/R | G 6 |
| R16 | A10266-5641 | 560. KOHM .25W 5% CF T/R | G 6 |
| R17 | A10266-1051 | 1.0 MOHM .25W 5 CF T/R | E 6 |
| R18 | A10266-2421 | 2.4 KOHM .25W 5 CF T/R | E 6 |
| R19 | A10266-2421 | 2.4 KOHM .25W 5 CF T/R | E 6 |
| R20 | A10266-1041 | 100. KOHM .25W 5% CF25 T/R | E 6 |
| R21 | A10266-1041 | 100. KOHM .25W 5% CF25 T/R | E 6 |
| R22 | A10266-1051 | 1.0 MOHM .25W 5 CF T/R | H 5 |
| R23 | A10266-2051 | 2.0 MOHM .25W 5 CF T/R | H 5 |
| R24 | A10266-1031 | 10. KOHM .25W 5% CF T/R | I 6 |
| R25 | A10265-10011 | 1.0 KOHM .25W 1 MF T/R | I 6 |
| R100 | A10265-10021 | 10. KOHM .25W 1 MF T/R | J 3 |
| | | | |
| | | | |
| | | | |

INACTIVE

For Reference Use Only

CROWN INTERNATIONAL INC.

1718 WEST MISHAWAKA ROAD ELKHART, INDIANA 46517 PHONE (219) 294-8000

THESE DRAWINGS AND SPECIFICATIONS ARE THE PROPERTY OF CROWN INTERNATIONAL, INC. AND SHALL NOT BE REPRODUCED, COPIED, OR USED AS THE BASIS FOR THE MANUFACTURE OR SALE OF APPARATUS OR DEVICES WITHOUT PERMISSION.

| | | | | | |
|-------|---------|----------|----------|-------------------|-----|
| DRAWN | DWW | 09/25/97 | DWG. NO. | SHEET 13 | REV |
| PROJ. | MD360D0 | | 125275 | CONT. ON SHEET 14 | (A) |

PARTS LIST

| REF DES | C.P.N. | DESCRIPTION | MAP LOC. |
|---------|--------------|--------------------------------|----------|
| R101 | A10265-10021 | 10. KOHM .25W 1 MF T/R | J 3 |
| R102 | A10265-10021 | 10. KOHM .25W 1 MF T/R | J 3 |
| R103 | C 9079-2 | 200.OHM TOP ADJ CERMET TRIMMER | I 2 |
| R104 | A10265-10021 | 10. KOHM .25W 1 MF T/R | J 2 |
| R105 | A10265-49911 | 4.99KOHM .25W 1 MF T/R | I 3 |
| R106 | A10265-49911 | 4.99KOHM .25W 1 MF T/R | I 3 |
| R107 | 125263-1 | 5K. , 10%, LINEAR W/21 DETENT | J 2 |
| R108 | A10265-76811 | 7.68 KOHM .25W 1% MF T/R | I 1 |
| R109 | A10265-24921 | 24.9 KOHM .25W 1% MF T/R | I 1 |
| R110 | A10265-69811 | 6.98 KOHM .25W 1% MF T/R | I 1 |
| R111 | A10265-24921 | 24.9 KOHM .25W 1% MF T/R | K 2 |
| R112 | A10266-2201 | 22.0 OHM .25W 5 CF T/R | J 2 |
| R113 | A10265-49911 | 4.99KOHM .25W 1 MF T/R | K 2 |
| R114 | A10265-10031 | 100. KOHM .25W 1 MF T/R | K 2 |
| R115 | A10265-15031 | 150 KOHM .25 1% MF T/R | J 4 |
| R116 | A10265-10721 | 10.7KOHM .25W 1% MF T/R | I 4 |
| R117 | A10265-20031 | 200.KOHM .25W 1 MF T/R | I 3 |
| R118 | A10265-10521 | 10.5KOHM .25W 1% MF T/R | I 3 |
| R119 | A10265-10031 | 100. KOHM .25W 1 MF T/R | K 2 |
| R120 | A10266-5111 | 510. OHM .25W 5 CF T/R | K 2 |
| R121 | C 5215-6 | 22. MOHM .25W 5 THICK FILM T/R | K 2 |
| R122 | A10266-1321 | 1.3 KOHM .25W 5 CF T/R | K 2 |
| R123 | A10265-49911 | 4.99KOHM .25W 1 MF T/R | K 2 |
| R124 | A10266-1231 | 12.KOHM .25W 5% CF T/R | L 3 |
| R125 | A10266-1231 | 12.KOHM .25W 5% CF T/R | L 2 |
| R126 | A10266-2721 | 2.7 KOHM .25W 5 CF T/R | L 3 |
| R127 | A10266-2721 | 2.7 KOHM .25W 5 CF T/R | L 2 |
| R128 | A10266-6831 | 68. KOHM .25W 5% CF T/R | L 3 |
| R129 | A10266-6831 | 68. KOHM .25W 5% CF T/R | L 3 |
| R130 | A10265-10031 | 100. KOHM .25W 1 MF T/R | L 3 |
| R131 | A10265-10031 | 100. KOHM .25W 1 MF T/R | L 2 |
| R132 | A10266-4701 | 47.0 OHM .25W 5 CF T/R | L 4 |
| R133 | A10266-4701 | 47.0 OHM .25W 5 CF T/R | L 2 |
| R134 | A10266-4711 | 470. OHM .25W 5% CF T/R | M 3 |
| R135 | A10266-2201 | 22.0 OHM .25W 5 CF T/R | M 3 |
| R136 | A10266-8211 | 820. OHM .25W 5% CF T/R | M 3 |
| R137 | A10266-8211 | 820. OHM .25W 5% CF T/R | M 2 |
| R138 | A10266-2201 | 22.0 OHM .25W 5 CF T/R | M 2 |
| R139 | A10266-5601 | 56.0 OHM .25W 5% CF T/R | M 2 |
| R140 | A10266-4721 | 4.7 KOHM .25W 5% CF T/R | P 5 |
| R141 | A10266-5601 | 56.0 OHM .25W 5% CF T/R | M 4 |
| R142 | A10265-66501 | 665. OHM .25W 1 MF T/R | O 5 |
| R143 | A10265-27401 | 274. OHM .25W 1% MF T/R | P 5 |
| R144 | A10265-27401 | 274. OHM .25W 1% MF T/R | O 5 |
| R145 | A10265-66501 | 665. OHM .25W 1 MF T/R | O 5 |
| R146 | A10265-66501 | 665. OHM .25W 1 MF T/R | O 5 |
| R147 | A10265-66501 | 665. OHM .25W 1 MF T/R | O 5 |
| | | | |
| | | | |
| | | | |

INACTIVE

For Reference Use Only

CROWN INTERNATIONAL INC.

1718 WEST MISHAWAKA ROAD ELKHART, INDIANA 46517 PHONE (219) 294-8000

THESE DRAWINGS AND SPECIFICATIONS ARE THE PROPERTY OF CROWN INTERNATIONAL, INC. AND SHALL NOT BE REPRODUCED, COPIED, OR USED AS THE BASIS FOR THE MANUFACTURE OR SALE OF APPARATUS OR DEVICES WITHOUT PERMISSION.

| | | | |
|-------|---------|----------|----------|
| DRAWN | DWW | 09/25/97 | DWG. NO. |
| PROJ. | MD360D0 | | 125275 |

| | |
|----------|-----|
| SHEET 14 | REV |
| CONT. ON | (A) |
| SHEET 15 | |

PARTS LIST

| REF DES | C.P.N. | DESCRIPTION | MAP LOC. |
|---------|--------------|--------------------------------|----------|
| R148 | A10266-1041 | 100. KOHM .25W 5% CF25 T/R | P 5 |
| R149 | A10265-35711 | 3.57KOHM .25W 1 MF T/R | P 5 |
| R150 | A10265-35711 | 3.57KOHM .25W 1 MF T/R | O 5 |
| R151 | A10266-1041 | 100. KOHM .25W 5% CF25 T/R | O 5 |
| R152 | C 8836-6 | 100 OHM .5W 5% FU/FP T/R | K 4 |
| R153 | A10266-1031 | 10. KOHM .25W 5% CF T/R | K 4 |
| R154 | A10266-2721 | 2.7 KOHM .25W 5 CF T/R | K 3 |
| R155 | C 8836-6 | 100 OHM .5W 5% FU/FP T/R | K 3 |
| R156 | A10266-1031 | 10. KOHM .25W 5% CF T/R | K 3 |
| R157 | A10266-2721 | 2.7 KOHM .25W 5 CF T/R | K 3 |
| R158 | A10266-3021 | 3.0 KOHM .25W 5 CF T/R | J 4 |
| R159 | A10265-10011 | 1.0 KOHM .25W 1 MF T/R | K 3 |
| R160 | A10265-10021 | 10. KOHM .25W 1 MF T/R | J 3 |
| R161 | A10266-4721 | 4.7 KOHM .25W 5% CF T/R | J 3 |
| R162 | A10266-4721 | 4.7 KOHM .25W 5% CF T/R | J 3 |
| R163 | A10265-10021 | 10. KOHM .25W 1 MF T/R | J 3 |
| R164 | C 5215-6 | 22. MOHM .25W 5 THICK FILM T/R | K 3 |
| R165 | A10265-27431 | 274.KOHM .25W 1% MF T/R | J 4 |
| R166 | A10265-95311 | 9.53KOHM .25W 1% MF T/R | I 4 |
| R167 | A10266-1321 | 1.3 KOHM .25W 5 CF T/R | K 3 |
| R168 | A10124-24 | WIRE, #24 SOLID BUS | K 3 |
| R169 | A10265-27431 | 274.KOHM .25W 1% MF T/R | J 2 |
| R170 | A10265-95311 | 9.53KOHM .25W 1% MF T/R | J 2 |
| R171 | A10266-5621 | 5.6 KOHM .25W 5% CF T/R | P 3 |
| R172 | A10266-1541 | 150. KOHM .25W 5% CF T/R | O 3 |
| R173 | A10265-17821 | 17.8KOHM .25W 1% MF T/R | O 3 |
| R174 | A10265-24921 | 24.9 KOHM .25W 1% MF T/R | O 3 |
| R175 | A10265-49911 | 4.99KOHM .25W 1 MF T/R | O 3 |
| R176 | A10265-68111 | 6.81KOHM .25W 1% MF T/R | O 3 |
| R177 | A10265-33221 | 33.2KOHM .25W 1% MF T/R | O 4 |
| R178 | A10265-10021 | 10. KOHM .25W 1 MF T/R | O 4 |
| R179 | A10265-20011 | 2.0 KOHM .25W 1% MF T/R | O 3 |
| R180 | A10265-20011 | 2.0 KOHM .25W 1% MF T/R | O 3 |
| R181 | A10265-10001 | 100. OHM .25W 1 MF T/R | O 2 |
| R182 | A10265-51121 | 51.1 KOHM .25W 1% MF T/R | O 2 |
| R183 | A10265-68111 | 6.81KOHM .25W 1% MF T/R | O 2 |
| R184 | A10265-10001 | 100. OHM .25W 1 MF T/R | O 2 |
| R185 | A10266-2741 | 270. KOHM .25W 5% CF25 T/R | O 2 |
| R186 | C 5062-2 | 100KOHM LINEAR TRIMPOT | O 2 |
| R187 | A10265-14721 | 14.7 KOHM .25W 1% MF T/R | O 4 |
| R188 | A10265-30921 | 30.9 KOHM .25W 1% MF T/R | O 4 |
| R189 | A10265-19121 | 19.1KOHM .25W 1% MF T/R | O 4 |
| R190 | A10265-33221 | 33.2KOHM .25W 1% MF T/R | P 3 |
| R191 | A10265-10021 | 10. KOHM .25W 1 MF T/R | P 3 |
| R192 | A10265-20011 | 2.0 KOHM .25W 1% MF T/R | P 3 |
| R193 | A10265-20011 | 2.0 KOHM .25W 1% MF T/R | P 4 |
| R194 | A10265-68111 | 6.81KOHM .25W 1% MF T/R | P 3 |
| | | | |
| | | | |
| | | | |

INACTIVE

For Reference Use Only

CROWN INTERNATIONAL INC.

1718 WEST MISHAWAKA ROAD ELKHART, INDIANA 46517 PHONE (219) 294-8000

| | | | | | |
|-------|---------|----------|----------|-------------------|-----|
| DRAWN | DWW | 09/25/97 | DWG. NO. | SHEET 15 | REV |
| PROJ. | MD360D0 | | 125275 | CONT. ON SHEET 16 | (A) |

THESE DRAWINGS AND SPECIFICATIONS ARE THE PROPERTY OF CROWN INTERNATIONAL, INC. AND SHALL NOT BE REPRODUCED, COPIED, OR USED AS THE BASIS FOR THE MANUFACTURE OR SALE OF APPARATUS OR DEVICES WITHOUT PERMISSION.

PARTS LIST

| REF DES | C.P.N. | DESCRIPTION | MAP LOC. |
|---------|--------------|--------------------------------|----------|
| R195 | A10265-10001 | 100. OHM .25W 1 MF T/R | P 2 |
| R196 | A10265-51121 | 51.1 KOHM .25W 1% MF T/R | P 2 |
| R197 | A10265-68111 | 6.81KOHM .25W 1% MF T/R | P 2 |
| R198 | A10265-10001 | 100. OHM .25W 1 MF T/R | P 2 |
| R199 | A10266-2741 | 270. KOHM .25W 5% CF25 T/R | P 2 |
| R200 | A10265-10021 | 10. KOHM .25W 1 MF T/R | G 3 |
| R201 | A10265-10021 | 10. KOHM .25W 1 MF T/R | G 3 |
| R202 | A10265-10021 | 10. KOHM .25W 1 MF T/R | G 3 |
| R203 | C 9079-2 | 200.OHM TOP ADJ CERMET TRIMMER | H 1 |
| R204 | A10265-10021 | 10. KOHM .25W 1 MF T/R | G 2 |
| R205 | A10265-49911 | 4.99KOHM .25W 1 MF T/R | H 3 |
| R206 | A10265-49911 | 4.99KOHM .25W 1 MF T/R | H 3 |
| R207 | 125263-1 | 5K. , 10%, LINEAR W/21 DETENT | F 2 |
| R208 | A10265-76811 | 7.68 KOHM .25W 1% MF T/R | H 1 |
| R209 | A10265-24921 | 24.9 KOHM .25W 1% MF T/R | H 1 |
| R210 | A10265-69811 | 6.98 KOHM .25W 1% MF T/R | H 1 |
| R211 | A10265-24921 | 24.9 KOHM .25W 1% MF T/R | F 2 |
| R212 | A10266-2201 | 22.0 OHM .25W 5 CF T/R | G 2 |
| R213 | A10265-49911 | 4.99KOHM .25W 1 MF T/R | F 2 |
| R214 | A10265-10031 | 100. KOHM .25W 1 MF T/R | F 2 |
| R215 | A10265-15031 | 150 KOHM .25 1% MF T/R | G 4 |
| R216 | A10265-10721 | 10.7KOHM .25W 1% MF T/R | H 4 |
| R217 | A10265-20031 | 200.KOHM .25W 1 MF T/R | H 3 |
| R218 | A10265-10521 | 10.5KOHM .25W 1% MF T/R | H 3 |
| R219 | A10265-10031 | 100. KOHM .25W 1 MF T/R | F 2 |
| R220 | A10266-5111 | 510. OHM .25W 5 CF T/R | F 2 |
| R221 | C 5215-6 | 22. MOHM .25W 5 THICK FILM T/R | F 2 |
| R222 | A10266-1321 | 1.3 KOHM .25W 5 CF T/R | F 2 |
| R223 | A10265-49911 | 4.99KOHM .25W 1 MF T/R | F 2 |
| R224 | A10266-1231 | 12.KOHM .25W 5% CF T/R | E 3 |
| R225 | A10266-1231 | 12.KOHM .25W 5% CF T/R | E 2 |
| R226 | A10266-2721 | 2.7 KOHM .25W 5 CF T/R | E 3 |
| R227 | A10266-2721 | 2.7 KOHM .25W 5 CF T/R | E 2 |
| R228 | A10266-6831 | 68. KOHM .25W 5% CF T/R | E 3 |
| R229 | A10266-6831 | 68. KOHM .25W 5% CF T/R | E 3 |
| R230 | A10265-10031 | 100. KOHM .25W 1 MF T/R | E 3 |
| R231 | A10265-10031 | 100. KOHM .25W 1 MF T/R | E 2 |
| R232 | A10266-4701 | 47.0 OHM .25W 5 CF T/R | E 4 |
| R233 | A10266-4701 | 47.0 OHM .25W 5 CF T/R | E 2 |
| R234 | A10266-4711 | 470. OHM .25W 5% CF T/R | D 3 |
| R235 | A10266-2201 | 22.0 OHM .25W 5 CF T/R | D 3 |
| R236 | A10266-8211 | 820. OHM .25W 5% CF T/R | D 3 |
| R237 | A10266-8211 | 820. OHM .25W 5% CF T/R | D 2 |
| R238 | A10266-2201 | 22.0 OHM .25W 5 CF T/R | D 2 |
| R239 | A10266-5601 | 56.0 OHM .25W 5% CF T/R | D 2 |
| R240 | A10266-4721 | 4.7 KOHM .25W 5% CF T/R | A 5 |
| R241 | A10266-5601 | 56.0 OHM .25W 5% CF T/R | D 4 |
| | | | |
| | | | |
| | | | |

INACTIVE

For Reference Use Only

THESE DRAWINGS AND SPECIFICATIONS ARE THE PROPERTY OF CROWN INTERNATIONAL, INC. AND SHALL NOT BE REPRODUCED, COPIED, OR USED AS THE BASIS FOR THE MANUFACTURE OR SALE OF APPARATUS OR DEVICES WITHOUT PERMISSION.

CROWN INTERNATIONAL INC.

1718 WEST MISHAWAKA ROAD ELKHART, INDIANA 46517 PHONE (219) 294-9000

| | | | | | |
|-------|---------|----------|----------|----------|-----|
| DRAWN | DWW | 09/25/97 | DWG. NO. | SHEET 16 | REV |
| PROJ. | MD360D0 | | 125275 | CONT. ON | (A) |
| | | | | SHEET 17 | |

PARTS LIST

| REF DES | C.P.N. | DESCRIPTION | MAP LOC. |
|---------|--------------|--------------------------------|----------|
| R242 | A10265-66501 | 665. OHM .25W 1 MF T/R | B 5 |
| R243 | A10265-27401 | 274. OHM .25W 1% MF T/R | A 5 |
| R244 | A10265-27401 | 274. OHM .25W 1% MF T/R | B 5 |
| R245 | A10265-66501 | 665. OHM .25W 1 MF T/R | B 5 |
| R246 | A10265-66501 | 665. OHM .25W 1 MF T/R | B 5 |
| R247 | A10265-66501 | 665. OHM .25W 1 MF T/R | B 5 |
| R248 | A10266-1041 | 100. KOHM .25W 5% CF25 T/R | A 5 |
| R249 | A10265-35711 | 3.57KOHM .25W 1 MF T/R | A 5 |
| R250 | A10265-35711 | 3.57KOHM .25W 1 MF T/R | B 5 |
| R251 | A10266-1041 | 100. KOHM .25W 5% CF25 T/R | B 5 |
| R252 | C 8836-6 | 100 OHM .5W 5% FU/FP T/R | F 4 |
| R253 | A10266-1031 | 10. KOHM .25W 5% CF T/R | E 4 |
| R254 | A10266-2721 | 2.7 KOHM .25W 5 CF T/R | E 3 |
| R255 | C 8836-6 | 100 OHM .5W 5% FU/FP T/R | F 3 |
| R256 | A10266-1031 | 10. KOHM .25W 5% CF T/R | E 3 |
| R257 | A10266-2721 | 2.7 KOHM .25W 5 CF T/R | E 3 |
| R258 | A10266-3021 | 3.0 KOHM .25W 5 CF T/R | G 4 |
| R259 | A10265-10011 | 1.0 KOHM .25W 1 MF T/R | F 3 |
| R260 | A10265-10021 | 10. KOHM .25W 1 MF T/R | G 3 |
| R261 | A10266-4721 | 4.7 KOHM .25W 5% CF T/R | G 3 |
| R262 | A10266-4721 | 4.7 KOHM .25W 5% CF T/R | G 3 |
| R263 | A10265-10021 | 10. KOHM .25W 1 MF T/R | G 3 |
| R264 | C 5215-6 | 22. MOHM .25W 5 THICK FILM T/R | F 3 |
| R265 | A10265-27431 | 274.KOHM .25W 1% MF T/R | G 4 |
| R266 | A10265-95311 | 9.53KOHM .25W 1% MF T/R | H 4 |
| R267 | A10266-1321 | 1.3 KOHM .25W 5 CF T/R | F 3 |
| R268 | A10124-24 | WIRE, #24 SOLID BUS | F 3 |
| R269 | A10265-27431 | 274.KOHM .25W 1% MF T/R | G 2 |
| R270 | A10265-95311 | 9.53KOHM .25W 1% MF T/R | G 2 |
| R271 | A10266-5621 | 5.6 KOHM .25W 5% CF T/R | B 3 |
| R272 | A10266-1541 | 150. KOHM .25W 5% CF T/R | A 3 |
| R273 | A10265-17821 | 17.8KOHM .25W 1% MF T/R | A 3 |
| R274 | A10265-24921 | 24.9 KOHM .25W 1% MF T/R | A 3 |
| R275 | A10265-49911 | 4.99KOHM .25W 1 MF T/R | A 3 |
| R276 | A10265-68111 | 6.81KOHM .25W 1% MF T/R | A 3 |
| R277 | A10265-33221 | 33.2KOHM .25W 1% MF T/R | A 4 |
| R278 | A10265-10021 | 10. KOHM .25W 1 MF T/R | A 4 |
| R279 | A10265-20011 | 2.0 KOHM .25W 1% MF T/R | A 3 |
| R280 | A10265-20011 | 2.0 KOHM .25W 1% MF T/R | A 3 |
| R281 | A10265-10001 | 100. OHM .25W 1 MF T/R | A 2 |
| R282 | A10265-51121 | 51.1 KOHM .25W 1% MF T/R | A 2 |
| R283 | A10265-68111 | 6.81KOHM .25W 1% MF T/R | A 2 |
| R284 | A10265-10001 | 100. OHM .25W 1 MF T/R | A 2 |
| R285 | A10266-2741 | 270. KOHM .25W 5% CF25 T/R | A 2 |
| R286 | C 5062-2 | 100KOHM LINEAR TRIMPOT | A 2 |
| R287 | A10265-14721 | 14.7 KOHM .25W 1% MF T/R | A 4 |
| R288 | A10265-30921 | 30.9 KOHM .25W 1% MF T/R | A 4 |
| | | | |
| | | | |
| | | | |

INACTIVE

For Reference Use Only

CROWN INTERNATIONAL INC.

1718 WEST MISHAWAKA ROAD ELKHART, INDIANA 46517 PHONE (219) 294-8000

THESE DRAWINGS AND SPECIFICATIONS ARE THE PROPERTY OF CROWN INTERNATIONAL, INC. AND SHALL NOT BE REPRODUCED, COPIED, OR USED AS THE BASIS FOR THE MANUFACTURE OR SALE OF APPARATUS OR DEVICES WITHOUT PERMISSION.

| | | | | | |
|-------|---------|----------|----------|-------------------|-----|
| DRAWN | DWW | 09/25/97 | DWG. NO. | SHEET 17 | REV |
| PROJ. | MD360D0 | | 125275 | CONT. ON SHEET 18 | (A) |

PARTS LIST

| REF DES | C.P.N. | DESCRIPTION | MAP LOC. |
|---------|--------------|----------------------------|----------|
| R289 | A10265-19121 | 19.1KOHM .25W 1% MF T/R | A 4 |
| R290 | A10265-33221 | 33.2KOHM .25W 1% MF T/R | B 3 |
| R291 | A10265-10021 | 10. KOHM .25W 1 MF T/R | B 3 |
| R292 | A10265-20011 | 2.0 KOHM .25W 1% MF T/R | B 4 |
| R293 | A10265-20011 | 2.0 KOHM .25W 1% MF T/R | B 4 |
| R294 | A10265-68111 | 6.81KOHM .25W 1% MF T/R | B 3 |
| R295 | A10265-10001 | 100. OHM .25W 1 MF T/R | B 2 |
| R296 | A10265-51121 | 51.1 KOHM .25W 1% MF T/R | B 2 |
| R297 | A10265-68111 | 6.81KOHM .25W 1% MF T/R | B 2 |
| R298 | A10265-10001 | 100. OHM .25W 1 MF T/R | B 2 |
| R299 | A10266-2741 | 270. KOHM .25W 5% CF25 T/R | B 2 |
| R300 | C 5062-2 | 100KOHM LINEAR TRIMPOT | P 2 |
| R301 | A10265-14721 | 14.7 KOHM .25W 1% MF T/R | P 4 |
| R302 | A10265-30921 | 30.9 KOHM .25W 1% MF T/R | P 4 |
| R303 | A10265-19121 | 19.1KOHM .25W 1% MF T/R | P 4 |
| R304 | A10265-39221 | 39.2KOHM .25W 1% MF T/R | P 4 |
| R305 | A10265-35731 | 357. KOHM .25W 1 MF T/R | P 4 |
| R306 | A10266-3021 | 3.0 KOHM .25W 5 CF T/R | O 1 |
| R307 | A10266-1521 | 1.5 KOHM .25W 5% CF T/R | O 1 |
| R308 | A10266-1041 | 100. KOHM .25W 5% CF25 T/R | O 1 |
| R309 | C 7779-9 | 22. OHM .25W 5% FU/FP T/R | N 5 |
| R310 | A10266-4711 | 470. OHM .25W 5% CF T/R | N 5 |
| R311 | A10266-4711 | 470. OHM .25W 5% CF T/R | N 5 |
| R312 | C 7779-9 | 22. OHM .25W 5% FU/FP T/R | N 5 |
| R313 | A10266-4711 | 470. OHM .25W 5% CF T/R | N 5 |
| R314 | C 7779-9 | 22. OHM .25W 5% FU/FP T/R | N 4 |
| R315 | A10266-4711 | 470. OHM .25W 5% CF T/R | N 4 |
| R316 | A10266-4711 | 470. OHM .25W 5% CF T/R | N 4 |
| R317 | A10266-4711 | 470. OHM .25W 5% CF T/R | N 4 |
| R318 | C 7779-9 | 22. OHM .25W 5% FU/FP T/R | N 4 |
| R319 | A10266-2731 | 27. KOHM .25W 5 CF T/R | N 5 |
| R320 | A10266-3321 | 3.3 KOHM .25W 5% CF T/R | L 5 |
| R321 | A10266-3321 | 3.3 KOHM .25W 5% CF T/R | L 5 |
| R322 | A10266-2051 | 2.0 MOHM .25W 5 CF T/R | K 5 |
| R323 | A10266-1521 | 1.5 KOHM .25W 5% CF T/R | L 5 |
| R324 | A10266-4711 | 470. OHM .25W 5% CF T/R | K 5 |
| R325 | A10266-1041 | 100. KOHM .25W 5% CF25 T/R | K 5 |
| R326 | A10266-5121 | 5.1 KOHM .25W 5 CF T/R | K 5 |
| R327 | A10266-7521 | 7.5 KOHM .25W 5% CF T/R | K 5 |
| R328 | A10266-8231 | 82. KOHM .25W 5% CF T/R | L 5 |
| R329 | A10265-51121 | 51.1 KOHM .25W 1% MF T/R | L 6 |
| R330 | A10266-4741 | 470. KOHM .25W 5% CF T/R | L 5 |
| R331 | A10266-2751 | 2.7 MOHM .25W 5% CF T/R | L 5 |
| R338 | A10266-1041 | 100. KOHM .25W 5% CF25 T/R | J 6 |
| R339 | A10266-4731 | 47. KOHM .25W 5% CF25 T/R | J 6 |
| R340 | A10266-5121 | 5.1 KOHM .25W 5 CF T/R | L 6 |
| R341 | A10266-2031 | 20. KOHM .25W 5 CF T/R | L 6 |
| | | | |
| | | | |
| | | | |

INACTIVE

For Reference Use Only

CROWN INTERNATIONAL INC.

1718 WEST MISHAWAKA ROAD ELKHART, INDIANA 46517 PHONE (219) 294-8000

THESE DRAWINGS AND SPECIFICATIONS ARE THE PROPERTY OF CROWN INTERNATIONAL, INC. AND SHALL NOT BE REPRODUCED, COPIED, OR USED AS THE BASIS FOR THE MANUFACTURE OR SALE OF APPARATUS OR DEVICES WITHOUT PERMISSION.

| | | | | | |
|-------|---------|----------|----------|----------|-----|
| DRAWN | DWW | 09/25/97 | DWG. NO. | SHEET 18 | REV |
| PROJ. | MD360D0 | | 125275 | CONT. ON | (A) |
| | | | | SHEET 19 | |

PARTS LIST

| REF DES | C.P.N. | DESCRIPTION | MAP LOC. |
|---------|--------------|----------------------------|----------|
| R342 | A10266-3921 | 3.9 KOHM .25W 5% CF T/R | L 5 |
| R343 | A10266-1031 | 10. KOHM .25W 5% CF T/R | L 5 |
| R344 | A10266-4731 | 47. KOHM .25W 5% CF25 T/R | L 4 |
| R345 | A10266-1031 | 10. KOHM .25W 5% CF T/R | L 5 |
| R346 | A10266-4731 | 47. KOHM .25W 5% CF25 T/R | L 4 |
| R347 | A10266-1031 | 10. KOHM .25W 5% CF T/R | L 4 |
| R348 | A10266-1031 | 10. KOHM .25W 5% CF T/R | L 4 |
| R349 | A10266-1031 | 10. KOHM .25W 5% CF T/R | L 4 |
| R350 | A10266-4701 | 47.0 OHM .25W 5 CF T/R | L 5 |
| R351 | A10266-2031 | 20. KOHM .25W 5 CF T/R | K 4 |
| R352 | A10266-1031 | 10. KOHM .25W 5% CF T/R | L 4 |
| R353 | A10266-4731 | 47. KOHM .25W 5% CF25 T/R | L 4 |
| R354 | A10266-4731 | 47. KOHM .25W 5% CF25 T/R | L 4 |
| R355 | A10266-4731 | 47. KOHM .25W 5% CF25 T/R | L 4 |
| R356 | A10266-4731 | 47. KOHM .25W 5% CF25 T/R | L 4 |
| R357 | A10266-1031 | 10. KOHM .25W 5% CF T/R | L 5 |
| R358 | A10266-2031 | 20. KOHM .25W 5 CF T/R | L 4 |
| R359 | A10265-10R01 | 10.0 OHM .25W 1 MF T/R | N 4 |
| R360 | A10266-1211 | 120. OHM .25W 5 CF T/R | N 4 |
| R361 | C 6048-0 | 500 OHM PIHER TRIM | N 4 |
| R362 | A10265-10R01 | 10.0 OHM .25W 1 MF T/R | N 4 |
| R363 | A10265-30111 | 3.01KOHM .25W 1 MF T/R | N 3 |
| R364 | A10265-18221 | 18.2KOHM .25W 1% MF T/R | N 3 |
| R365 | A10265-30111 | 3.01KOHM .25W 1 MF T/R | N 3 |
| R366 | A10265-18221 | 18.2KOHM .25W 1% MF T/R | N 3 |
| R367 | A10265-10011 | 1.0 KOHM .25W 1 MF T/R | N 3 |
| R368 | A10266-4711 | 470. OHM .25W 5% CF T/R | J 4 |
| R369 | A10266-4711 | 470. OHM .25W 5% CF T/R | J 4 |
| R400 | C 5062-2 | 100KOHM LINEAR TRIMPOT | B 2 |
| R401 | A10265-14721 | 14.7 KOHM .25W 1% MF T/R | B 4 |
| R402 | A10265-30921 | 30.9 KOHM .25W 1% MF T/R | B 4 |
| R403 | A10265-19121 | 19.1KOHM .25W 1% MF T/R | B 4 |
| R404 | A10265-39221 | 39.2KOHM .25W 1% MF T/R | B 4 |
| R405 | A10265-35731 | 357. KOHM .25W 1 MF T/R | B 5 |
| R406 | A10266-3021 | 3.0 KOHM .25W 5 CF T/R | B 1 |
| R407 | A10266-1521 | 1.5 KOHM .25W 5% CF T/R | B 1 |
| R408 | A10266-1041 | 100. KOHM .25W 5% CF25 T/R | B 1 |
| R409 | C 7779-9 | 22. OHM .25W 5% FU/FP T/R | C 5 |
| R410 | A10266-4711 | 470. OHM .25W 5% CF T/R | C 5 |
| R411 | A10266-4711 | 470. OHM .25W 5% CF T/R | C 5 |
| R412 | C 7779-9 | 22. OHM .25W 5% FU/FP T/R | C 5 |
| R413 | A10266-4711 | 470. OHM .25W 5% CF T/R | C 5 |
| R414 | C 7779-9 | 22. OHM .25W 5% FU/FP T/R | C 4 |
| R415 | A10266-4711 | 470. OHM .25W 5% CF T/R | C 4 |
| R416 | A10266-4711 | 470. OHM .25W 5% CF T/R | C 4 |
| R417 | A10266-4711 | 470. OHM .25W 5% CF T/R | C 4 |
| R418 | C 7779-9 | 22. OHM .25W 5% FU/FP T/R | C 4 |
| | | | |
| | | | |
| | | | |

INACTIVE

For Reference Use Only

CROWN INTERNATIONAL INC.

1718 WEST MISHAWAKA ROAD ELKHART, INDIANA 46517 PHONE (219) 294-8000

THESE DRAWINGS AND SPECIFICATIONS ARE THE PROPERTY OF CROWN INTERNATIONAL, INC. AND SHALL NOT BE REPRODUCED, COPIED, OR USED AS THE BASIS FOR THE MANUFACTURE OR SALE OF APPARATUS OR DEVICES WITHOUT PERMISSION.

| | | | | | | |
|-------|---------|----------|----------|--------|----------|-----|
| DRAWN | DWW | 09/25/97 | DWG. NO. | 125275 | SHEET 19 | REV |
| PROJ. | MD360D0 | | | | CONT. ON | (A) |
| | | | | | SHEET 20 | |

PARTS LIST

| REF DES | C.P.N. | DESCRIPTION | MAP LOC. |
|---------|--------------|----------------------------|----------|
| R419 | A10266-2731 | 27. KOHM .25W 5 CF T/R | C 5 |
| R420 | A10266-3321 | 3.3 KOHM .25W 5% CF T/R | E 5 |
| R421 | A10266-3321 | 3.3 KOHM .25W 5% CF T/R | E 5 |
| R422 | A10266-2051 | 2.0 MOHM .25W 5 CF T/R | F 5 |
| R423 | A10266-1521 | 1.5 KOHM .25W 5% CF T/R | E 5 |
| R424 | A10266-4711 | 470. OHM .25W 5% CF T/R | F 5 |
| R425 | A10266-1041 | 100. KOHM .25W 5% CF25 T/R | F 5 |
| R426 | A10266-5121 | 5.1 KOHM .25W 5 CF T/R | F 5 |
| R427 | A10266-7521 | 7.5 KOHM .25W 5% CF T/R | F 5 |
| R428 | A10266-8231 | 82. KOHM .25W 5% CF T/R | E 5 |
| R429 | A10265-51121 | 51.1 KOHM .25W 1% MF T/R | E 6 |
| R430 | A10266-4741 | 470. KOHM .25W 5% CF T/R | E 5 |
| R431 | A10266-2751 | 2.7 MOHM .25W 5% CF T/R | E 5 |
| R438 | A10266-1041 | 100. KOHM .25W 5% CF25 T/R | G 6 |
| R439 | A10266-4731 | 47. KOHM .25W 5% CF25 T/R | G 6 |
| R440 | A10266-5121 | 5.1 KOHM .25W 5 CF T/R | E 6 |
| R441 | A10266-2031 | 20. KOHM .25W 5 CF T/R | E 6 |
| R442 | A10266-3921 | 3.9 KOHM .25W 5% CF T/R | E 5 |
| R443 | A10266-1031 | 10. KOHM .25W 5% CF T/R | E 5 |
| R444 | A10266-4731 | 47. KOHM .25W 5% CF25 T/R | E 4 |
| R445 | A10266-1031 | 10. KOHM .25W 5% CF T/R | E 5 |
| R446 | A10266-4731 | 47. KOHM .25W 5% CF25 T/R | E 4 |
| R447 | A10266-1031 | 10. KOHM .25W 5% CF T/R | E 4 |
| R448 | A10266-1031 | 10. KOHM .25W 5% CF T/R | E 4 |
| R449 | A10266-1031 | 10. KOHM .25W 5% CF T/R | E 4 |
| R450 | A10266-4701 | 47.0 OHM .25W 5 CF T/R | E 5 |
| R451 | A10266-2031 | 20. KOHM .25W 5 CF T/R | F 4 |
| R452 | A10266-1031 | 10. KOHM .25W 5% CF T/R | E 4 |
| R453 | A10266-4731 | 47. KOHM .25W 5% CF25 T/R | E 4 |
| R454 | A10266-4731 | 47. KOHM .25W 5% CF25 T/R | E 4 |
| R455 | A10266-4731 | 47. KOHM .25W 5% CF25 T/R | E 4 |
| R456 | A10266-4731 | 47. KOHM .25W 5% CF25 T/R | E 4 |
| R457 | A10266-1031 | 10. KOHM .25W 5% CF T/R | E 5 |
| R458 | A10266-2031 | 20. KOHM .25W 5 CF T/R | E 4 |
| R459 | A10265-10R01 | 10.0 OHM .25W 1 MF T/R | C 3 |
| R460 | A10266-1211 | 120. OHM .25W 5 CF T/R | C 3 |
| R461 | C 6048-0 | 500 OHM PIHER TRIM | C 4 |
| R462 | A10265-10R01 | 10.0 OHM .25W 1 MF T/R | C 4 |
| R463 | A10265-30111 | 3.01KOHM .25W 1 MF T/R | C 3 |
| R464 | A10265-18221 | 18.2KOHM .25W 1% MF T/R | C 3 |
| R465 | A10265-30111 | 3.01KOHM .25W 1 MF T/R | C 3 |
| R466 | A10265-18221 | 18.2KOHM .25W 1% MF T/R | C 3 |
| R467 | A10265-10011 | 1.0 KOHM .25W 1 MF T/R | C 3 |
| R468 | A10266-4711 | 470. OHM .25W 5% CF T/R | G 4 |
| R469 | A10266-4711 | 470. OHM .25W 5% CF T/R | G 4 |
| S1 | C 7960-5 | DPDT 3POS PC SLIDE SWITCH | I 1 |
| S2 | C 6781-6 | 6P3T MONO/STEREO SWITCH | C 1 |
| | | | |
| | | | |
| | | | |

INACTIVE

For Reference Use Only

CROWN INTERNATIONAL INC.

1718 WEST MISHAWAKA ROAD ELKHART, INDIANA 46517 PHONE (219) 294-8000

DRAWN DWW 09/25/97
 PROJ. MD360D0

DWG. NO. 125275

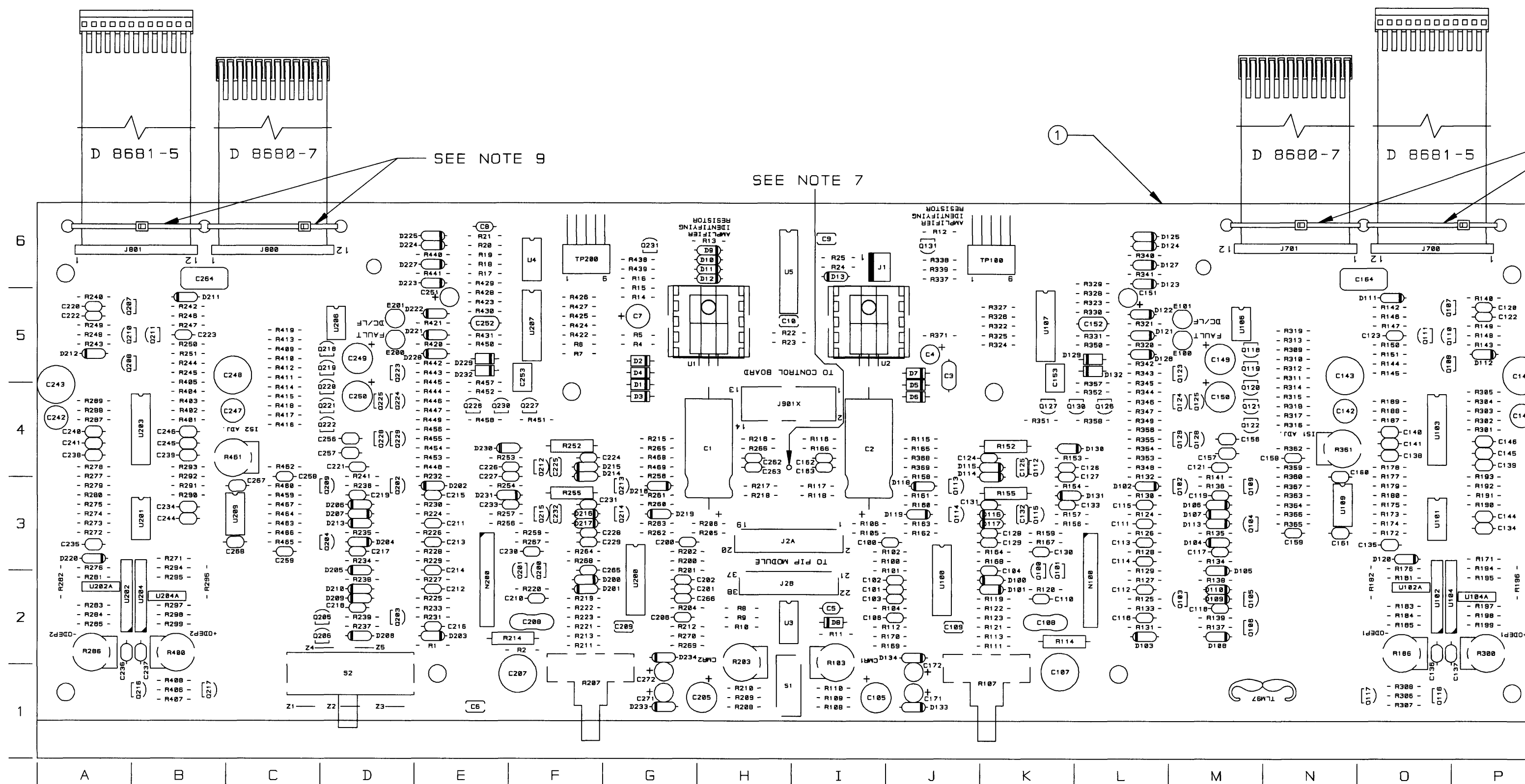
SHEET 20
 CONT. ON SHEET 21

REV (A)

THESE DRAWINGS AND SPECIFICATIONS ARE THE PROPERTY OF CROWN INTERNATIONAL, INC. AND SHALL NOT BE REPRODUCED, COPIED, OR USED AS THE BASIS FOR THE MANUFACTURE OR SALE OF APPARATUS OR DEVICES WITHOUT PERMISSION.

COMPONENT MAP

(COMPONENT SIDE VIEW)



INACTIVE
For Reference Use Only

| | | | |
|---------------------------------|---------|------------------------|---------------------------------|
| CROWN INTERNATIONAL INC. | | | |
| 1718 WEST MISHAWAKA ROAD | | ELKHART, INDIANA 46517 | |
| PHONE (219) 294-8000 | | | |
| DRAWN | DWW | 09/25/97 | DWG. NO. 125275 |
| PROJ. | MD360D0 | | SHEET 22 CONT. ON SHEET - |
| | | | REV (A) |

THESE DRAWINGS AND SPECIFICATIONS ARE THE PROPERTY OF CROWN INTERNATIONAL, INC. AND SHALL NOT BE REPRODUCED, COPIED, OR USED AS THE BASIS FOR THE MANUFACTURE OR SALE OF APPARATUS OR DEVICES WITHOUT PERMISSION.

**CT810 Control Module 100V Information On Following Pages
Documentation, Component Map, Schematic**

CROWN INTERNATIONAL

INACTIVE
For Reference Use Only

101130

| | | | | |
|----------|---------------|----------------------------------|-------------|-----|
| REVISION | B | TITLE: PWA, CT10 CONTROL 100V | PRINTS | K |
| MADE BY | TOM SZERENCSE | | SHEET NO. | 1 |
| DATE | 02-12-97 | | CONT. ON SH | 2 |
| PROJ. | D360 | FIRST MADE FOR: CT10 SERIES | DRAWN | KLW |

REVISION CONTROL SHEET FOR MULTI-SHEET DOCUMENTS

REVISION IN THE UPPER LEFT CORNER OF THIS SHEET IS THE REVISION FOR THE ENTIRE DOCUMENT

| REFERENCE ↔ | DATE ↔ | SHEET NO. ↓ | | | | | | | | | | | | | | | | | | |
|-------------|----------|-------------|--|--|--|--|--|--|--|--|--|--|--|--|--|--|--|--|--|--|
| | 10/29/96 | 02-12-97 | | | | | | | | | | | | | | | | | | |
| 3 | A | B | | | | | | | | | | | | | | | | | | |
| 4 | A | B | | | | | | | | | | | | | | | | | | |
| 5 | A | B | | | | | | | | | | | | | | | | | | |
| 6 | A | B | | | | | | | | | | | | | | | | | | |
| 7 | A | B | | | | | | | | | | | | | | | | | | |
| 8 | A | B | | | | | | | | | | | | | | | | | | |

THESE DRAWINGS AND SPECIFICATIONS ARE THE PROPERTY OF CROWN INTERNATIONAL, INC. AND SHALL NOT BE REPRODUCED, COPIED, OR USED AS THE BASIS FOR THE MANUFACTURE OR SALE OF APPARATUS OR DEVICES WITHOUT PERMISSION.

| APPROVALS | NAME | DATE |
|-----------|--------------------|---------|
| EE | <i>[Signature]</i> | 2-19-97 |
| PE | <i>[Signature]</i> | 2-19-97 |
| MFG | | |

CROWN INTERNATIONAL

101130

| | | | | |
|----------|---------------|----------------------------------|-------------|-----|
| REVISION | B | TITLE: PWA, CT10 CONTROL 100V | PRINTS | K |
| MADE BY | TOM SZERENCSE | | SHEET NO. | 2 |
| DATE | 02-12-97 | | CONT. ON SH | 3 |
| PROJ. | D360 | FIRST MADE FOR: CT10 SERIES | DRAWN | KLW |

REVISION CONTROL INFORMATION

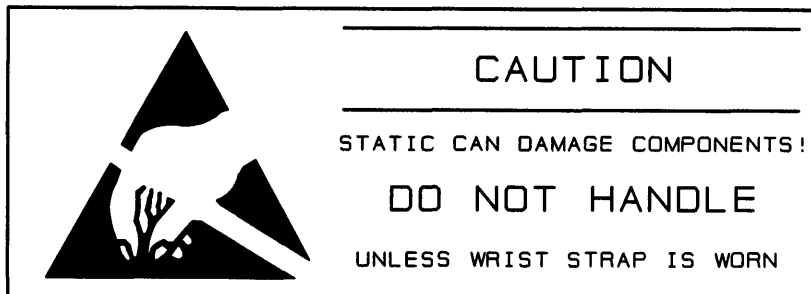
| NAME | SHEET NO. | SHEET REV. | ACTION |
|---------------|-----------|------------|---|
| PAT WIERS | 1-8 | A | INITIAL RELEASE |
| TOM SZERENCSE | 3 | B | INITIAL RELEASE OF 101130-2. NOTE 1 WAS 100285, NOTE 2 WAS 100283-1, NOTE 3 WAS 101130-1, DELETED NOTE 6 & 7, NOTE 8 ADDED K931. |
| | 4 | B | 100283-2 WAS 100283-1, A10124-24 QTY WAS 8", A10265-10021 QTY WAS 11, C 7873-0 QTY WAS 1, C 7817-7 QTY WAS 10, C10335-5 QTY WAS 1, 101031-1 WERE C 7817-7. ADDED C 9592-4. DELETED A10265-15011 AND C 8982-8. |
| | 5 | B | DELETED C930, C931, HW1, AND L930. C932 WAS NOT INSTALLED, ADDED J903 & K931. |
| | 6 | B | DELETED R954-R956, Z900, Z902, Z903. ADDED Z930-Z935, W11-W13, W1-W10 WERE C7817-7 |
| | 7 | B | DELETED FIGURE 1. |
| | 8 | B | REPLACED COMPONENT MAP WITH 100283C-TOPSIK. |

UNLESS OTHERWISE SPECIFIED, THE FINISHED PWA SHALL MEET:
IPC-A-610_ CLASS 2

NOTES:

1. SCHEMATIC DRAWING NUMBER 101526.
2. PWB PART NUMBER 100283-2.
3. PWA PART NUMBER 101130-2.
4. ALL LEADS SHALL BE TRIMMED TO 0.093" OR LESS.
5. POSITION COMPONENTS AS SHOWN ON COMPONENT MAP.
- 6.
- 7.

8. THE VENT HOLE ON TOP OF THE RELAY K930 AND K931 MUST BE OPENED AFTER THE CLEANING PROCESS. BY EITHER REMOVING THE SEALING TAPE OR CUTTING OFF THE CIRCULAR TAB WITH AN "EXACTO" KNIFE OR SIMILAR CUTTING TOOL. WARNING, THIS STEP MUST BE DONE AFTER THE CLEANING PROCESS NOT BEFORE!!! WATER OR CLEANING SOLVENTS ENTERING THE RELAY VENT HOLE WILL DAMAGE THE RELAY.
9. THE CROWN PART NUMBER FOR THIS MODULE SHALL BE MARKED ON THE PRINTED CIRCUIT BOARD AND SHALL BE PERMANENT.



CROWN INTERNATIONAL INC.

1718 WEST MISHAWAKA ROAD ELKHART, INDIANA 46517 PHONE (219) 294-8000

THESE DRAWINGS AND SPECIFICATIONS ARE THE PROPERTY OF CROWN INTERNATIONAL, INC. AND SHALL NOT BE REPRODUCED, COPIED, OR USED AS THE BASIS FOR THE MANUFACTURE OR SALE OF APPARATUS OR DEVICES WITHOUT PERMISSION.

DRAWN

KLW

02-12-97

DWG. NO.

101130

SHEET 3
CONT. ON
SHEET 4

REV

(B)

PROJ.

D360

PARTS LIST

| C. P. N. | DESCRIPTION | QTY | REFERENCE DESIGNATION |
|--------------|------------------------------|-----|---|
| 100283-2 | PWB, CT10 CONTROL, . . . | 1 | 1 |
| 101031-1 | FASTON, TAB .250 PC MNT | 13 | W1, W10, W2, W3, W4, W5, W6, W7, W8, W9, W11, W12, W13 |
| 101131-1 | NTC, INRUSH CURR LIMITER 4A | 1 | R958 |
| A10124-24 | WIRE, #24 SOLID BUS | 16" | R937, R959, Z930, Z931, Z932, Z933 Z934, Z935 |
| A10265-10021 | 10. KOHM .25W 1 MF T/R | 10 | R938, R945, R947, R948, R957, R963, R964, R965, R966, R967 |
| A10265-10031 | 100. KOHM .25W 1 MF T/R | 2 | R949, R968 |
| A10265-24921 | 24.9 KOHM .25W 1% MF T/R | 1 | R944 |
| A10265-27411 | 2.74KOHM .25W 1% MF T/R | 1 | R946 |
| A10266-1061 | 10. MOHM .25W 5% CF T/R | 1 | R936 |
| A10266-1231 | 12. KOHM .25W 5% CF T/R | 2 | R930, R933 |
| A10266-1811 | 180. OHM .25W 5% CF25 T/R | 1 | R943 |
| A10266-1831 | 18. KOHM .25W 5% CF T/R | 2 | R931, R934 |
| A10266-2051 | 2 MOHM .25W 5 CF T/R | 1 | R953 |
| A10266-2441 | 240. KOHM .25W 5% CF T/R | 3 | R932, R935, R952 |
| A10266-2722 | 2.7 KOHM .5W 5% CF T/R | 2 | R939, R940 |
| A10266-2731 | 27. KOHM .25W 5 CF T/R | 1 | R951 |
| A10266-4712 | 470, 0.50W, 5%, CF | 1 | R961 |
| A10266-5131 | 51. KOHM .25W 5 CF25 T/R | 1 | R950 |
| A10266-5612 | 560. OHM .5W 5% CF T/R | 1 | R960 |
| C 2851-1 | RECTIFIER, 1N4004 SILICON T/ | 1 | D934 |
| C 3181-2 | DIODE, 1N4148 T/R | 2 | D930, D931 |
| C 3533-4 | DIODE, 1N966B 16V ZENER T/R | 2 | D935, D936 |
| C 3625-8 | 2N4125 30V PNP T/R | 5 | Q930, Q932, Q933, Q934, Q935, |
| C 5311-3 | 22UF 50V 20% NP VERT T/A | 1 | C935 |
| C 6802-0 | .47UF 50V AXIAL CER T/R 474 | 1 | C939 |
| C 6804-6 | .1UF 50V AXIAL CER T/R 104 | 6 | C933, C934, C936, C937, C941, C942 |
| C 7444-0 | LM393 DUAL COMPARATOR | 1 | U931 |
| C 7558-7 | MC33079P QUAD LOW NOISE OP A | 1 | U930 |
| C 7662-7 | MAC218A6 8AMP 400V TRIAC | 1 | Q931 |
| C 7664-3 | MOC3031 ZERO OPTO TRIAC | 1 | U932 |
| C 7873-0 | 2POS .1 CENTER MTA HEADER TI | 2 | J902, J903 |
| C 8369-8 | 1N747A 3.6V 5% ZENER .5W | 2 | D932, D933 |
| C 8554-5 | .22UF 250V 10% POLYESTER | 1 | C938 |
| C 8894-5 | 1UF 50V VERT 10% NP ELECT T/ | 1 | C940 |
| C 9592-4 | .01 250VAC UL/CSA 20% FILM | 1 | C932 |
| C 9885-2 | 14PIN DUAL ROW HDR .1 X.1 CT | 1 | J901 |
| C 9930-6 | 11.8 OHM 3W 5% WW T/R | 2 | R941, R942 |
| C10335-5 | RELAY, 30A 24V T90 SEALED CE | 2 | K930, K931 |
| | | | |
| | | | |
| | | | |
| | | | |
| | | | |
| | | | |
| | | | |
| | | | |
| | | | |

| | | | |
|---------------------------------|------|------------------------|----------------------|
| CROWN INTERNATIONAL INC. | | | |
| 1718 WEST MISHAWAKA ROAD | | ELKHART, INDIANA 46517 | PHONE (219) 294-8000 |
| DRAWN | KLW | 02-12-97 | DWG. NO. |
| PROJ. | D360 | | 101130 |
| | | SHEET 4 | REV |
| | | CONT. ON | (B) |
| | | SHEET 5 | |

THESE DRAWINGS AND SPECIFICATIONS ARE THE PROPERTY OF CROWN INTERNATIONAL, INC. AND SHALL NOT BE REPRODUCED, COPIED, OR USED AS THE BASIS FOR THE MANUFACTURE OR SALE OF APPARATUS OR DEVICES WITHOUT PERMISSION.

PARTS LIST

| REF DES | C.P.N. | DESCRIPTION | MAP LOC. |
|---------|--------------|-------------------------------|----------|
| 1 | 100283-2 | PWB. CT10 CONTROL, , , | |
| C932 | C 9592-4 | .01 250VAC UL/CSA 20% FILM | D 3 |
| C933 | C 6804-6 | .1UF 50V AXIAL CER T/R 104 | B 3 |
| C934 | C 6804-6 | .1UF 50V AXIAL CER T/R 104 | A 3 |
| C935 | C 5311-3 | 22UF 50V 20% NP VERT T/A | B 2 |
| C936 | C 6804-6 | .1UF 50V AXIAL CER T/R 104 | A 2 |
| C937 | C 6804-6 | .1UF 50V AXIAL CER T/R 104 | B 2 |
| C938 | C 8554-5 | .22UF 250V 10% POLYESTER | C 1 |
| C939 | C 6802-0 | .47UF 50V AXIAL CER T/R 474 | B 3 |
| C940 | C 8894-5 | 1UF 50V VERT 10% NP ELECT T/R | A 2 |
| C941 | C 6804-6 | .1UF 50V AXIAL CER T/R 104 | A 5 |
| C942 | C 6804-6 | .1UF 50V AXIAL CER T/R 104 | B 5 |
| D930 | C 3181-2 | DIODE, 1N4148 T/R | B 3 |
| D931 | C 3181-2 | DIODE, 1N4148 T/R | B 4 |
| D932 | C 8369-8 | 1N747A 3.6V 5% ZENER .5W | A 4 |
| D933 | C 8369-8 | 1N747A 3.6V 5% ZENER .5W | A 4 |
| D934 | C 2851-1 | RECTIFIER, 1N4004 SILICON T/R | C 5 |
| D935 | C 3533-4 | DIODE, 1N966B 16V ZENER T/R | A 5 |
| D936 | C 3533-4 | DIODE, 1N966B 16V ZENER T/R | B 5 |
| J901 | C 9885-2 | 14PIN DUAL ROW HDR .1 X.1 CTR | B 5 |
| J902 | C 7873-0 | 2POS .1 CENTER MTA HEADER TIN | B 5 |
| J903 | C 7873-0 | 2POS .1 CENTER MTA HEADER TIN | C 2 |
| K930 | C10335-5 | RELAY, 30A 24V T90 SEALED CE | C 4 |
| K931 | C10335-5 | RELAY, 30A 24V T90 SEALED CE | C 2 |
| Q930 | C 3625-8 | 2N4125 30V PNP T/R | A 1 |
| Q931 | C 7662-7 | MAC218A6 8AMP 400V TRIAC | B 1 |
| Q932 | C 3625-8 | 2N4125 30V PNP T/R | A 2 |
| Q933 | C 3625-8 | 2N4125 30V PNP T/R | B 4 |
| Q934 | C 3625-8 | 2N4125 30V PNP T/R | B 4 |
| Q935 | C 3625-8 | 2N4125 30V PNP T/R | B 4 |
| R930 | A10266-1231 | 12.KOHM .25W 5% CF T/R | B 3 |
| R931 | A10266-1831 | 18. KOHM .25W 5% CF T/R | B 3 |
| R932 | A10266-2441 | 240. KOHM .25W 5% CF T/R | B 3 |
| R933 | A10266-1231 | 12.KOHM .25W 5% CF T/R | B 3 |
| R934 | A10266-1831 | 18. KOHM .25W 5% CF T/R | B 3 |
| R935 | A10266-2441 | 240. KOHM .25W 5% CF T/R | B 4 |
| R936 | A10266-1061 | 10. MOHM .25W 5 CF25 T/R | B 2 |
| R937 | A10124-24 | WIRE, #24 SOLID BUS | B 2 |
| R938 | A10265-10021 | 10. KOHM .25W 1 MF T/R | A 2 |
| R939 | A10266-2722 | 2.7 KOHM .5W 5% CF T/R | A 1 |
| R940 | A10266-2722 | 2.7 KOHM .5W 5% CF T/R | A 1 |
| R941 | C 9930-6 | 11.8 OHM 3W 5% WW T/R | C 1 |
| R942 | C 9930-6 | 11.8 OHM 3W 5% WW T/R | C 1 |
| R943 | A10266-1811 | 180. OHM .25W 5% CF25 T/R | B 1 |
| R944 | A10265-24921 | 24.9 KOHM .25W 1% MF T/R | A 4 |
| | | | |
| | | | |
| | | | |
| | | | |
| | | | |

CROWN INTERNATIONAL INC.

1718 WEST MISHAWAKA ROAD ELKHART, INDIANA 46517 PHONE (219) 294-9000

THESE DRAWINGS AND SPECIFICATIONS ARE THE PROPERTY OF CROWN INTERNATIONAL, INC. AND SHALL NOT BE REPRODUCED, COPIED, OR USED AS THE BASIS FOR THE MANUFACTURE OR SALE OF APPARATUS OR DEVICES WITHOUT PERMISSION.

| | | | | | |
|-------|------|----------|----------|------------------|-----|
| DRAWN | KLW | 02-12-97 | DWG. NO. | SHEET 5 | REV |
| PROJ. | D360 | | 101130 | CONT. ON SHEET 6 | (B) |

PARTS LIST

| REF DES | C. P. N. | DESCRIPTION | MAP LOC. |
|---------|--------------|--------------------------------|----------|
| R945 | A10265-10021 | 10. KOHM .25W 1 MF T/R | A 4 |
| R946 | A10265-27411 | 2.74KOHM .25W 1% MF T/R | A 4 |
| R947 | A10265-10021 | 10. KOHM .25W 1 MF T/R | A 4 |
| R948 | A10265-10021 | 10. KOHM .25W 1 MF T/R | A 3 |
| R949 | A10265-10031 | 100. KOHM .25W 1 MF T/R | A 3 |
| R950 | A10266-5131 | 51. KOHM .25W 5 CF25 T/R | B 3 |
| R951 | A10266-2731 | 27. KOHM .25W 5 CF T/R | B 2 |
| R952 | A10266-2441 | 240. KOHM .25W 5% CF T/R | B 2 |
| R953 | A10266-2051 | 2 MOHM .25W 5 CF T/R | A 2 |
| R957 | A10265-10021 | 10. KOHM .25W 1 MF T/R | A 2 |
| R958 | 101131-1 | NTC, INRUSH CURRENT LIMITER 4A | D 5 |
| R959 | A10124-24 | WIRE, #24 SOLID BUSS | D 4 |
| R960 | A10266-5612 | 560. OHM .5W 5% CF T/R | A 4 |
| R961 | A10266-4712 | 470, 0.50W, 5%, CF | B 4 |
| R962 | | DO NOT INSTALL | B 2 |
| R963 | A10265-10021 | 10. KOHM .25W 1 MF T/R | B 4 |
| R964 | A10265-10021 | 10. KOHM .25W 1 MF T/R | B 4 |
| R965 | A10265-10021 | 10. KOHM .25W 1 MF T/R | B 4 |
| R966 | A10265-10021 | 10. KOHM .25W 1 MF T/R | B 4 |
| R967 | A10265-10021 | 10. KOHM .25W 1 MF T/R | B 4 |
| R968 | A10265-10031 | 100. KOHM .25W 1 MF T/R | B 4 |
| U930 | C 7558-7 | MC33079P QUAD LOW NOISE OP AMP | B 3 |
| U931 | C 7444-0 | LM393 DUAL COMPARATOR | B 2 |
| U932 | C 7664-3 | MOC3031 ZERO OPTO TRIAC | B 1 |
| W1 | 101031-1 | FASTON, TAB .250 PC MNT | D 4 |
| W2 | 101031-1 | FASTON, TAB .250 PC MNT | D 5 |
| W3 | 101031-1 | FASTON, TAB .250 PC MNT | D 2 |
| W4 | 101031-1 | FASTON, TAB .250 PC MNT | D 2 |
| W5 | 101031-1 | FASTON, TAB .250 PC MNT | D 1 |
| W6 | 101031-1 | FASTON, TAB .250 PC MNT | D 1 |
| W7 | 101031-1 | FASTON, TAB .250 PC MNT | D 3 |
| W8 | 101031-1 | FASTON, TAB .250 PC MNT | D 1 |
| W9 | 101031-1 | FASTON, TAB .250 PC MNT | D 2 |
| W10 | 101031-1 | FASTON, TAB .250 PC MNT | D 1 |
| W11 | 101031-1 | FASTON, TAB .250 PC MNT | D 3 |
| W12 | 101031-1 | FASTON, TAB .250 PC MNT | D 2 |
| W13 | 101031-1 | FASTON, TAB .250 PC MNT | D 3 |
| Z930 | A10124-24 | WIRE, #24 SOLID BUSS | D 3 |
| Z931 | A10124-24 | WIRE, #24 SOLID BUSS | D 3 |
| Z932 | A10124-24 | WIRE, #24 SOLID BUSS | D 3 |
| Z933 | A10124-24 | WIRE, #24 SOLID BUSS | D 3 |
| Z934 | A10124-24 | WIRE, #24 SOLID BUSS | D 3 |
| Z935 | A10124-24 | WIRE, #24 SOLID BUSS | D 3 |
| | | | |
| | | | |
| | | | |
| | | | |
| | | | |
| | | | |
| | | | |
| | | | |
| | | | |

CROWN INTERNATIONAL INC.

1718 WEST MISHAWAKA ROAD ELKHART, INDIANA 46517

PHONE (219) 294-8000

THESE DRAWINGS AND SPECIFICATIONS ARE THE PROPERTY OF CROWN INTERNATIONAL, INC. AND SHALL NOT BE REPRODUCED, COPIED, OR USED AS THE BASIS FOR THE MANUFACTURE OR SALE OF APPARATUS OR DEVICES WITHOUT PERMISSION.

DRAWN

KLW

02-12-97

DWG. NO.

101130

PROJ.

D360

SHEET 6
CONT. ON
SHEET 7

REV

Ⓟ

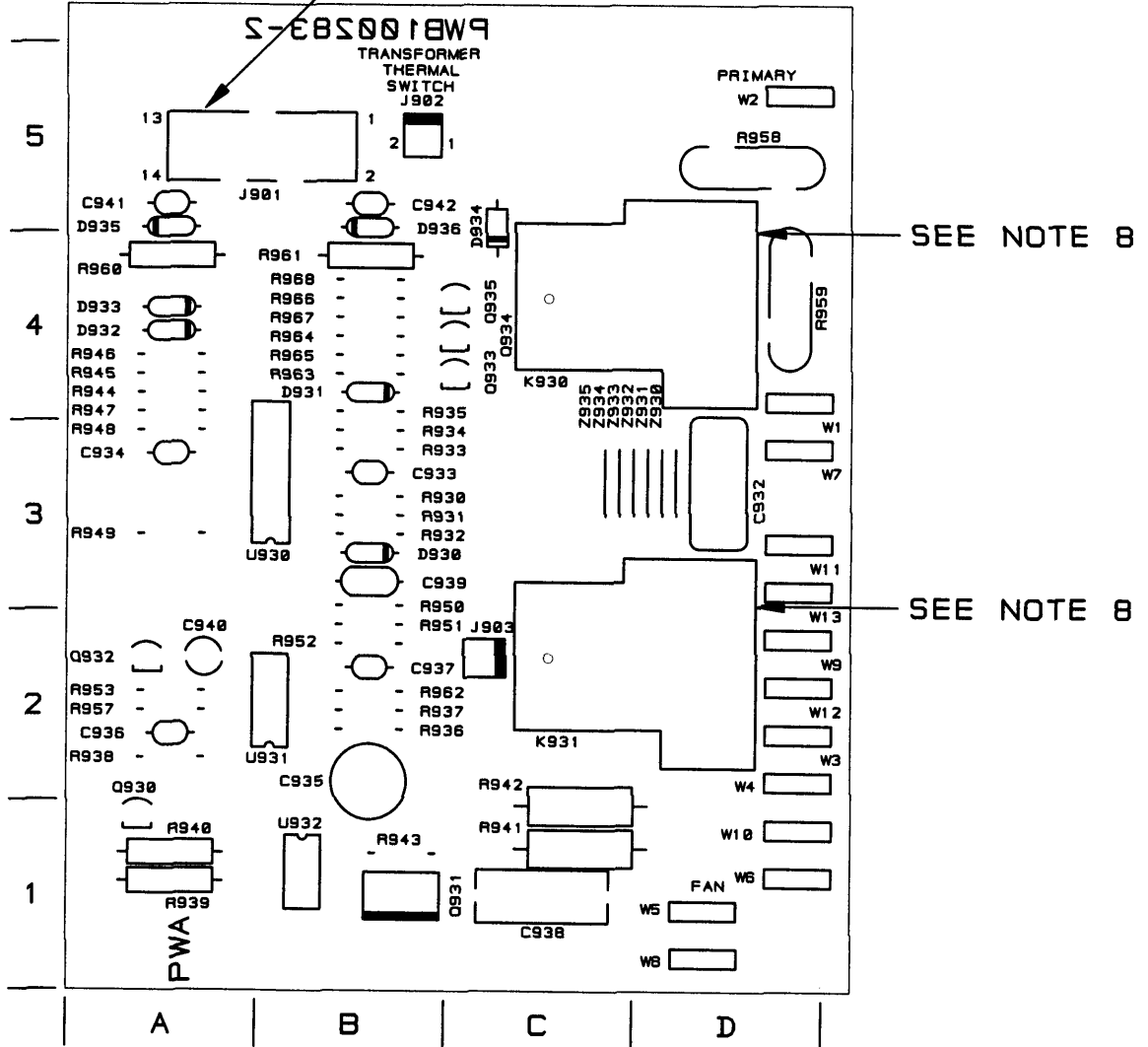
FIGURE 1

| | | | | |
|---------------------------------|------|------------------------|----------|----------------------|
| CROWN INTERNATIONAL INC. | | | | |
| 1718 WEST MISHAWAKA ROAD | | ELKHART, INDIANA 46517 | | PHONE (219) 294-8000 |
| DRAWN | KLW | 02-12-97 | DWG. NO. | SHEET 7 |
| PROJ. | D360 | | 101130 | CONT. ON SHEET 8 |
| | | | | REV (B) |

THESE DRAWINGS AND SPECIFICATIONS ARE THE PROPERTY OF CROWN INTERNATIONAL, INC. AND SHALL NOT BE REPRODUCED, COPIED, OR USED AS THE BASIS FOR THE MANUFACTURE OR SALE OF APPARATUS OR DEVICES WITHOUT PERMISSION.

COMPONENT MAP (COMPONENT SIDE VIEW)

NOTE: THIS IS THE LATCHING SIDE OF THE CONNECTOR



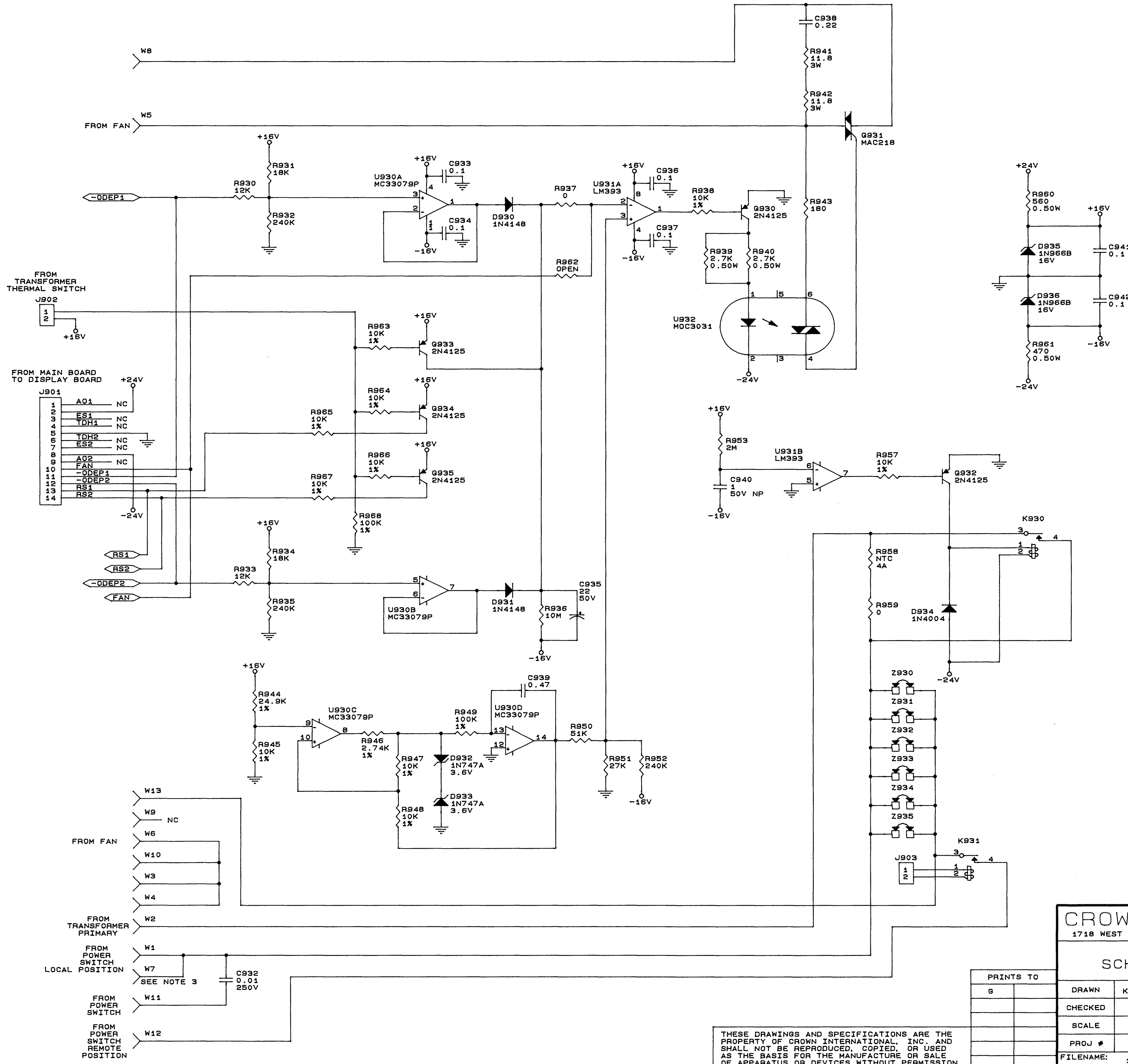
CROWN INTERNATIONAL INC.

1718 WEST MISHAWAKA ROAD ELKHART, INDIANA 46517 PHONE (219) 294-8000

THESE DRAWINGS AND SPECIFICATIONS ARE THE PROPERTY OF CROWN INTERNATIONAL, INC. AND SHALL NOT BE REPRODUCED, COPIED, OR USED AS THE BASIS FOR THE MANUFACTURE OR SALE OF APPARATUS OR DEVICES WITHOUT PERMISSION.

| | | | | | |
|-------|------|----------|----------|---------|-----|
| DRAWN | KLW | 02-12-97 | DWG. NO. | SHEET 8 | REV |
| PROJ. | D360 | | 101130 | | (B) |

| EAT # | ZONE | REV | DESCRIPTION | DATE | BY | APPROVALS |
|-------|------|-----|------------------|----------|-----|--------------------|
| | | (A) | INITIAL RELEASE. | 02-18-97 | KLW | CK ME EE PE RLC |



| LAST USED | NOT USED |
|-----------|----------|
| C942 | 930, 931 |
| D936 | |
| J903 | |
| K931 | |
| Q935 | |
| R968 | 954-956 |
| U932 | |
| W10 | |
| Z935 | |

- NOTES :
1. ALL RESISTORS ARE IN OHMS, 1/4W, 5% UNLESS OTHERWISE SPECIFIED.
 2. ALL CAPACITORS ARE IN MICROFARADS UNLESS OTHERWISE SPECIFIED.
 3. FOR ALL 120V UNITS CONNECT W7 TO W8 USING WIRE ASSEMBLY A11384-C050C.

CROWN INTERNATIONAL, INC.
 1718 WEST MISHAWAKA ROAD ELKHART, IN. 46517 PHONE (219) 294-8000

SCHEMATIC; CT10 CONTROL 100V

| PRINTS TO | | DRAWN | KLW | 02-18-97 | APPROVED BY : | DO NOT SCALE PRINT |
|-----------|--|-----------|--------------|----------------|---------------|--------------------|
| G | | | | | ME | SUPERSEDES 100285 |
| | | SCALE | NONE | EE | | E. C. |
| | | PROJ # | D360 | PE | 2-19-97 | DWG. NO. 101526 |
| | | FILENAME: | 1015261A.SCM | NEXT ASSEMBLY: | | REV (A) |

THESE DRAWINGS AND SPECIFICATIONS ARE THE PROPERTY OF CROWN INTERNATIONAL, INC. AND SHALL NOT BE REPRODUCED, COPIED, OR USED AS THE BASIS FOR THE MANUFACTURE OR SALE OF APPARATUS OR DEVICES WITHOUT PERMISSION.

**CT810 Control Module 120V Information On Following Pages
Documentation, Component Map, Schematic**

CROWN INTERNATIONAL

INACTIVE
For Reference Use Only

100284

| | | | | |
|----------|---------------|----------------------------------|-------------|-----|
| REVISION | C | TITLE: PWA, CT10 CONTROL 120V | PRINTS | K |
| MADE BY | TOM SZERENCSE | | SHEET NO. | 1 |
| DATE | 02-12-97 | | CONT. ON SH | 2 |
| PROJ. | D360 | FIRST MADE FOR: CT10 SERIES | DRAWN | KLW |

REVISION CONTROL SHEET FOR MULTI-SHEET DOCUMENTS

REVISION IN THE UPPER LEFT CORNER OF THIS SHEET IS THE REVISION FOR THE ENTIRE DOCUMENT

| REFERENCE | DATE | BY | REVISION | | | | | | | | | | | | | | | | | |
|-----------|----------|----|----------|--|--|--|--|--|--|--|--|--|--|--|--|--|--|--|--|--|
| | 08-07-96 | | | | | | | | | | | | | | | | | | | |
| | 10/16/96 | | | | | | | | | | | | | | | | | | | |
| | 02-12-97 | | | | | | | | | | | | | | | | | | | |
| SHEET NO. | | | | | | | | | | | | | | | | | | | | |
| 3 | A | B | C | | | | | | | | | | | | | | | | | |
| 4 | A | B | C | | | | | | | | | | | | | | | | | |
| 5 | A | B | C | | | | | | | | | | | | | | | | | |
| 6 | A | B | C | | | | | | | | | | | | | | | | | |
| 7 | A | A | B | | | | | | | | | | | | | | | | | |
| 8 | A | A | B | | | | | | | | | | | | | | | | | |

THESE DRAWINGS AND SPECIFICATIONS ARE THE PROPERTY OF CROWN INTERNATIONAL, INC. AND SHALL NOT BE REPRODUCED, COPIED, OR USED AS THE BASIS FOR THE MANUFACTURE OR SALE OF APPARATUS OR DEVICES WITHOUT PERMISSION.

| APPROVALS | NAME | DATE |
|-----------|--------------------|---------|
| EE | <i>[Signature]</i> | 2-19-97 |
| PE | <i>[Signature]</i> | 2-19-97 |
| MFG | | |

CROWN INTERNATIONAL

INACTIVE
For Reference Use Only

100284

| | | | | |
|----------|---------------|----------------------------------|-----------------------------|-------|
| REVISION | C | TITLE: PWA, CT10 CONTROL 120V | PRINTS | K |
| MADE BY | TOM SZERENCSE | | SHEET NO. | 2 |
| DATE | 02-12-97 | | CONT. ON SH | 3 |
| PROJ. | D360 | | FIRST MADE FOR: CT10 SERIES | DRAWN |

REVISION CONTROL INFORMATION

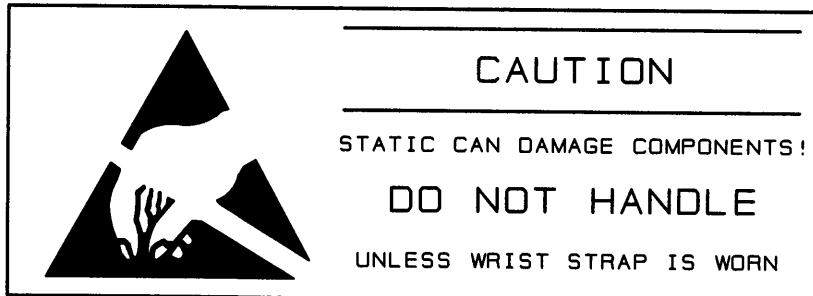
| NAME | SHEET NO. | SHEET REV. | ACTION |
|---------------|-----------|------------|--|
| PAT WIERS | 1-8 | A | INITIAL RELEASE |
| TOM SZERENCSE | 1 | B | TITLE CHANGE AND REV CHANGE |
| TOM SZERENCSE | 2 | B | TITLE CHANGE AND REV CHANGE |
| TOM SZERENCSE | 3 | B | CHANGE NOTE 3, INITIAL RELEASE 100284-2 |
| TOM SZERENCSE | 4 | B | DELETE Z900, A10265-10031 QTY. WAS 3, K930 WAS C 9787-0 R959 WAS NTC 100445-1 |
| TOM SZERENCSE | 5 | B | K930 WAS C 9787-0 |
| TOM SZERENCSE | 6 | B | R956 DO NOT INSTALL R959 WAS NTC 100445-1 Z900 DO NOT INSTALL |
| TOM SZERENCSE | 3 | C | INITIAL RELEASE OF 100284-3. NOTE 1 WAS 100285, NOTE 2 WAS 100283-1, NOTE 3 WAS 100284-2, DELETED NOTE 6 & 7, NOTE 8 ADDED K931. 100283-2 WAS 100283-1, A10124-24 QTY WAS 8", A10265-10021 QTY WAS 11, C 7873-0 QTY WAS 1, C 7817-7 QTY WAS 10, C10335-5 QTY WAS 1, 101031-1 WAS C 7817-7. ADDED C 9592-4. DELETED A10265-15011 AND C 8982-8, DELETED C930, C931, HW1, AND L930. C932 WAS NOT INSTALLED, ADDED J903 & K931. DELETED R954-R956, Z900, Z902, Z903. ADDED Z930-Z935, W11-W13, W1-W10 WERE C7871-7. DELETED FIGURE 1. REPLACED COMPONENT MAP WITH 100283C-TOPSILK. |
| | 4 | C | |
| | 5 | C | |
| | 6 | C | |
| | 7 | B | |
| 8 | B | | |

UNLESS OTHERWISE SPECIFIED, THE FINISHED PWA SHALL MEET:
IPC-A-610_ CLASS 2

NOTES:

1. SCHEMATIC DRAWING NUMBER 101527.
2. PWB PART NUMBER 100283-2.
3. PWA PART NUMBER 100284-3.
4. ALL LEADS SHALL BE TRIMMED TO 0.093" OR LESS.
5. POSITION COMPONENTS AS SHOWN ON COMPONENT MAP.
- 6.
- 7.

8. THE VENT HOLE ON TOP OF THE RELAY K930 AND K931 MUST BE OPENED AFTER THE CLEANING PROCESS. BY EITHER REMOVING THE SEALING TAPE OR CUTTING OFF THE CIRCULAR TAB WITH AN "EXACTO" KNIFE OR SIMILAR CUTTING TOOL. WARNING, THIS STEP MUST BE DONE AFTER THE CLEANING PROCESS NOT BEFORE!!! WATER OR CLEANING SOLVENTS ENTERING THE RELAY VENT HOLE WILL DAMAGE THE RELAY.
9. THE CROWN PART NUMBER FOR THIS MODULE SHALL BE MARKED ON THE PRINTED CIRCUIT BOARD AND SHALL BE PERMANENT.



INACTIVE
For Reference Use Only

THESE DRAWINGS AND SPECIFICATIONS ARE THE PROPERTY OF CROWN INTERNATIONAL, INC. AND SHALL NOT BE REPRODUCED, COPIED, OR USED AS THE BASIS FOR THE MANUFACTURE OR SALE OF APPARATUS OR DEVICES WITHOUT PERMISSION.

| | | | |
|---------------------------------|------|------------------------|--------------------------------|
| CROWN INTERNATIONAL INC. | | | |
| 1718 WEST MISHAWAKA ROAD | | ELKHART, INDIANA 46517 | PHONE (219) 294-8000 |
| DRAWN | KLW | 02-12-97 | DWG. NO. |
| PROJ. | D360 | | 100284 |
| | | | SHEET 3 CONT. ON SHEET 4 |
| | | | REV C |

PARTS LIST

| C.P.N. | DESCRIPTION | QTY | REFERENCE DESIGNATION |
|--------------|------------------------------|-----|--|
| 100283-2 | PWB, CT10 CONTROL, , , | 1 | 1 |
| 101031-1 | FASTON, TAB .250 PC MNT | 13 | W1, W10, W2, W3, W4, W5, W6, W7, W8, W9, W11, W12, W13 |
| 100445-1 | NTC, INRUSH CURR LIMITER 3A | 1 | R958 |
| A10124-24 | WIRE, #24 SOLID BUS | 16" | R937, R959, Z930, Z931, Z932, Z933, Z934, Z935 |
| A10265-10021 | 10. KOHM .25W 1 MF T/R | 10 | R938, R945, R947, R948, R957, R963, R964, R965, R966, R967 |
| A10265-10031 | 100. KOHM .25W 1 MF T/R | 2 | R949, R968 |
| A10265-24921 | 24.9 KOHM .25W 1% MF T/R | 1 | R944 |
| A10265-27411 | 2.74KOHM .25W 1% MF T/R | 1 | R946 |
| A10266-1061 | 10. MOHM .25W 5% CF T/R | 1 | R936 |
| A10266-1231 | 12. KOHM .25W 5% CF T/R | 2 | R930, R933 |
| A10266-1811 | 180. OHM .25W 5% CF25 T/R | 1 | R943 |
| A10266-1831 | 18. KOHM .25W 5% CF T/R | 2 | R931, R934 |
| A10266-2051 | 2 MOHM .25W 5 CF T/R | 1 | R953 |
| A10266-2441 | 240. KOHM .25W 5% CF T/R | 3 | R932, R935, R952 |
| A10266-2722 | 2.7 KOHM .5W 5% CF T/R | 2 | R939, R940 |
| A10266-2731 | 27. KOHM .25W 5 CF T/R | 1 | R951 |
| A10266-4712 | 470, 0.50W, 5%, CF | 1 | R961 |
| A10266-5131 | 51. KOHM .25W 5 CF25 T/R | 1 | R950 |
| A10266-5612 | 560. OHM .5W 5% CF T/R | 1 | R960 |
| C 2851-1 | RECTIFIER, 1N4004 SILICON T/ | 1 | D934 |
| C 3181-2 | DIODE, 1N4148 T/R | 2 | D930, D931 |
| C 3533-4 | DIODE, 1N966B 16V ZENER T/R | 2 | D935, D936 |
| C 3625-8 | 2N4125 30V PNP T/R | 5 | Q930, Q932, Q933, Q934, Q935, |
| C 5311-3 | 22UF 50V 20% NP VERT T/A | 1 | C935 |
| C 6802-0 | .47UF 50V AXIAL CER T/R 474 | 1 | C939 |
| C 6804-6 | .1UF 50V AXIAL CER T/R 104 | 6 | C933, C934, C936, C937, C941, C942 |
| C 7444-0 | LM393 DUAL COMPARATOR | 1 | U931 |
| C 7558-7 | MC33079P QUAD LOW NOISE OP A | 1 | U930 |
| C 7662-7 | MAC218A6 8AMP 400V TRIAC | 1 | Q931 |
| C 7664-3 | MOC3031 ZERO OPTO TRIAC | 1 | U932 |
| C 7873-0 | 2POS .1 CENTER MTA HEADER TI | 2 | J902, J903 |
| C 8369-8 | 1N747A 3.6V 5% ZENER .5W | 2 | D932, D933 |
| C 8554-5 | .22UF 250V 10% POLYESTER | 1 | C938 |
| C 8894-5 | 1UF 50V VERT 10% NP ELECT T/ | 1 | C940 |
| C 9592-4 | .01 250VAC UL/CSA 20% FILM | 1 | C932 |
| C 9885-2 | 14PIN DUAL ROW HDR .1 X.1 CT | 1 | J901 |
| C 9930-6 | 11.8 OHM 3W 5% WW T/R | 2 | R941, R942 |
| C10335-5 | RELAY, 30A 24V T90 SEALED CE | 2 | K930, K931 |

INACTIVE

For Reference Use Only

CROWN INTERNATIONAL INC.

1718 WEST MISHAWAKA ROAD ELKHART, INDIANA 46517 PHONE (219) 294-8000

THESE DRAWINGS AND SPECIFICATIONS ARE THE PROPERTY OF CROWN INTERNATIONAL, INC. AND SHALL NOT BE REPRODUCED, COPIED, OR USED AS THE BASIS FOR THE MANUFACTURE OR SALE OF APPARATUS OR DEVICES WITHOUT PERMISSION.

| | | |
|-------|------|----------|
| DRAWN | KLW | 02-12-97 |
| PROJ. | D360 | |

DWG. NO.

100284

| | |
|----------|---|
| SHEET | 4 |
| CONT. ON | 5 |
| SHEET | 5 |

REV **©**

PARTS LIST

| REF DES | C. P. N. | DESCRIPTION | MAP LOC. |
|---------|--------------|-------------------------------|----------|
| 1 | 100283-2 | PWB, CT10 CONTROL, . . . | |
| C932 | C 9592-4 | .01 250VAC UL/CSA 20% FILM | D 3 |
| C933 | C 6804-6 | .1UF 50V AXIAL CER T/R 104 | B 3 |
| C934 | C 6804-6 | .1UF 50V AXIAL CER T/R 104 | A 3 |
| C935 | C 5311-3 | 22UF 50V 20% NP VERT T/A | B 2 |
| C936 | C 6804-6 | .1UF 50V AXIAL CER T/R 104 | A 2 |
| C937 | C 6804-6 | .1UF 50V AXIAL CER T/R 104 | B 2 |
| C938 | C 8554-5 | .22UF 250V 10% POLYESTER | C 1 |
| C939 | C 6802-0 | .47UF 50V AXIAL CER T/R 474 | B 3 |
| C940 | C 8894-5 | 1UF 50V VERT 10% NP ELECT T/R | A 2 |
| C941 | C 6804-6 | .1UF 50V AXIAL CER T/R 104 | A 5 |
| C942 | C 6804-6 | .1UF 50V AXIAL CER T/R 104 | B 5 |
| D930 | C 3181-2 | DIODE, 1N4148 T/R | B 3 |
| D931 | C 3181-2 | DIODE, 1N4148 T/R | B 4 |
| D932 | C 8369-8 | 1N747A 3.6V 5% ZENER .5W | A 4 |
| D933 | C 8369-8 | 1N747A 3.6V 5% ZENER .5W | A 4 |
| D934 | C 2851-1 | RECTIFIER, 1N4004 SILICON T/R | C 5 |
| D935 | C 3533-4 | DIODE, 1N966B 16V ZENER T/R | A 5 |
| D936 | C 3533-4 | DIODE, 1N966B 16V ZENER T/R | B 5 |
| J901 | C 9885-2 | 14PIN DUAL ROW HDR .1 X.1 CTR | B 5 |
| J902 | C 7873-0 | 2POS .1 CENTER MTA HEADER TIN | B 5 |
| J903 | C 7873-0 | 2POS .1 CENTER MTA HEADER TIN | C 2 |
| K930 | C10335-5 | RELAY, 30A 24V T90 SEALED CE | C 4 |
| K931 | C10335-5 | RELAY, 30A 24V T90 SEALED CE | C 2 |
| Q930 | C 3625-8 | 2N4125 30V PNP T/R | A 1 |
| Q931 | C 7662-7 | MAC218A6 8AMP 400V TRIAC | B 1 |
| Q932 | C 3625-8 | 2N4125 30V PNP T/R | A 2 |
| Q933 | C 3625-8 | 2N4125 30V PNP T/R | B 4 |
| Q934 | C 3625-8 | 2N4125 30V PNP T/R | B 4 |
| Q935 | C 3625-8 | 2N4125 30V PNP T/R | B 4 |
| R930 | A10266-1231 | 12. KOHM .25W 5% CF T/R | B 3 |
| R931 | A10266-1831 | 18. KOHM .25W 5% CF T/R | B 3 |
| R932 | A10266-2441 | 240. KOHM .25W 5% CF T/R | B 3 |
| R933 | A10266-1231 | 12. KOHM .25W 5% CF T/R | B 3 |
| R934 | A10266-1831 | 18. KOHM .25W 5% CF T/R | B 3 |
| R935 | A10266-2441 | 240. KOHM .25W 5% CF T/R | B 4 |
| R936 | A10266-1061 | 10. MOHM .25W 5 CF25 T/R | B 2 |
| R937 | A10124-24 | WIRE, #24 SOLID BUS | B 2 |
| R938 | A10265-10021 | 10. KOHM .25W 1 MF T/R | A 2 |
| R939 | A10266-2722 | 2.7 KOHM .5W 5% CF T/R | A 1 |
| R940 | A10266-2722 | 2.7 KOHM .5W 5% CF T/R | A 1 |
| R941 | C 9930-6 | 11.8 OHM 3W 5% WW T/R | C 1 |
| R942 | C 9930-6 | 11.8 OHM 3W 5% WW T/R | C 1 |
| R943 | A10266-1811 | 180. OHM .25W 5% CF25 T/R | B 1 |
| R944 | A10265-24921 | 24.9 KOHM .25W 1% MF T/R | A 4 |
| | | | |
| | | | |
| | | | |
| | | | |

INACTIVE

For Reference Use Only

| | | | |
|---------------------------------|------|------------------------|--------------------------------|
| CROWN INTERNATIONAL INC. | | | |
| 1718 WEST MISHAWAKA ROAD | | ELKHART, INDIANA 46517 | PHONE (219) 294-8000 |
| DRAWN | KLW | 02-12-97 | DWG. NO. |
| PROJ. | D360 | 100284 | |
| | | | SHEET 5 CONT. ON SHEET 6 |
| | | | (C) |

THESE DRAWINGS AND SPECIFICATIONS ARE THE PROPERTY OF CROWN INTERNATIONAL, INC. AND SHALL NOT BE REPRODUCED, COPIED, OR USED AS THE BASIS FOR THE MANUFACTURE OR SALE OF APPARATUS OR DEVICES WITHOUT PERMISSION.

FIGURE 1

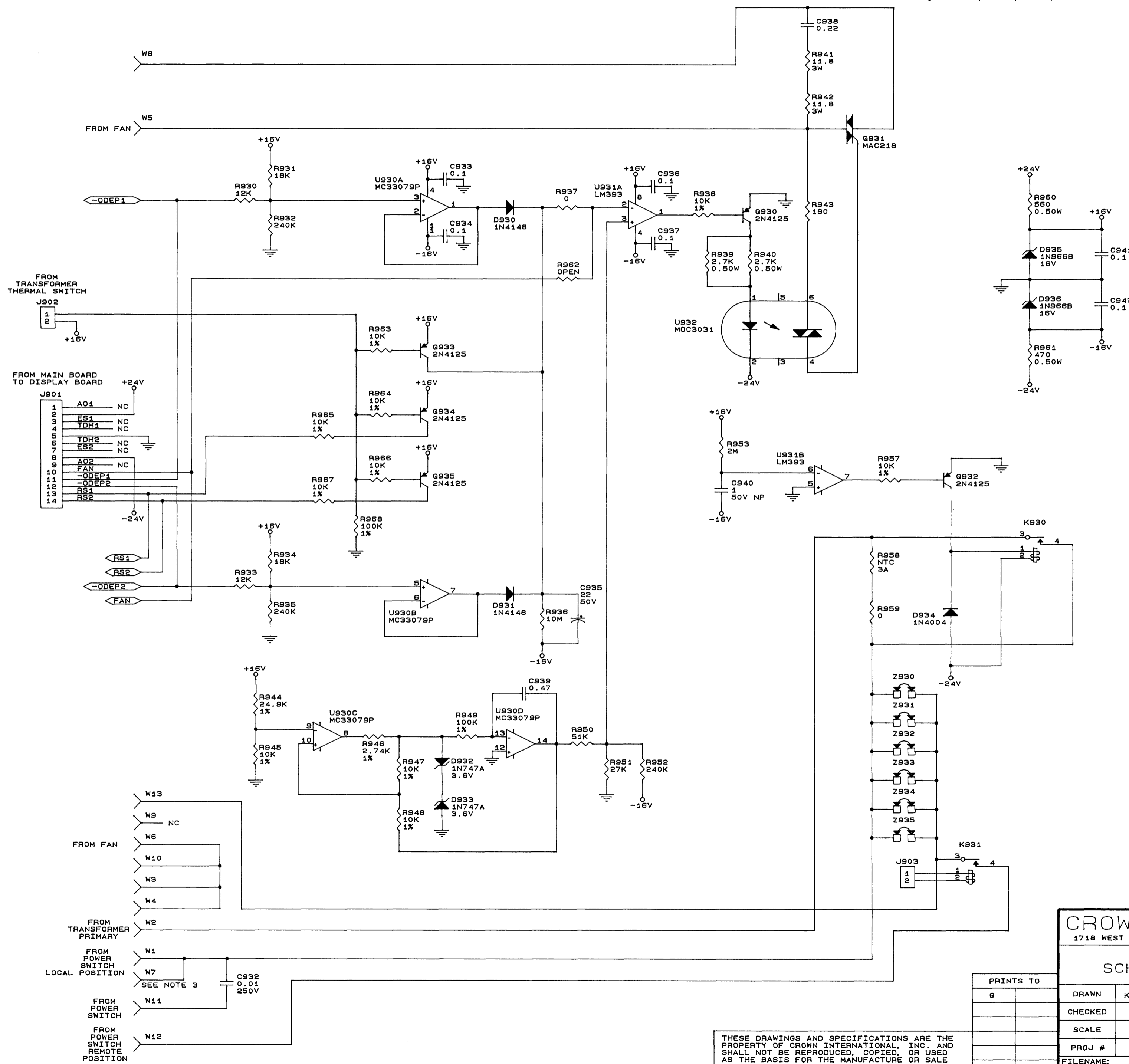
INACTIVE

For Reference Use Only

THESE DRAWINGS AND SPECIFICATIONS ARE THE PROPERTY OF CROWN INTERNATIONAL, INC. AND SHALL NOT BE REPRODUCED, COPIED, OR USED AS THE BASIS FOR THE MANUFACTURE OR SALE OF APPARATUS OR DEVICES WITHOUT PERMISSION.

| | | | | |
|---|---------------------|-------------------------|-------------------------|-------------------------|
| CROWN INTERNATIONAL INC. | | | | |
| <small>1718 WEST MISHAWAKA ROAD ELKHART, INDIANA 46517 PHONE (219) 294-8000</small> | | | | |
| <small>DRAWN</small> | <small>KLW</small> | <small>02-12-97</small> | <small>DWG. NO.</small> | <small>REV</small> |
| <small>PROJ.</small> | <small>D360</small> | 100284 | | <small>SHEET 7</small> |
| | | | | <small>CONT. ON</small> |
| | | | | <small>SHEET 8</small> |
| | | | | (B) |

| EAT # | ZONE | REV | DESCRIPTION | DATE | BY | APPROVALS |
|-------|------|-----|------------------|----------|-----|-----------------|
| | | (A) | INITIAL RELEASE. | 02-18-97 | KLW | CK ME EE RLC |



| LAST USED | NOT USED |
|-----------|----------|
| C942 | 930, 931 |
| D936 | |
| J903 | |
| K931 | |
| Q935 | |
| R968 | 954-956 |
| U932 | |
| W10 | |
| Z935 | |

- NOTES :
1. ALL RESISTORS ARE IN OHMS, 1/4W, 5% UNLESS OTHERWISE SPECIFIED.
 2. ALL CAPACITORS ARE IN MICROFARADS UNLESS OTHERWISE SPECIFIED.
 3. FOR ALL 120V UNITS CONNECT W7 TO W8 USING WIRE ASSEMBLY A11384-C050C.

CROWN INTERNATIONAL, INC.
 1718 WEST MISHAWAKA ROAD ELKHART, IN. 46517 PHONE (219) 294-8000

SCHEMATIC; CT10 CONTROL 120V

| PRINTS TO | | DRAWN | KLW | 02-18-97 | APPROVED BY : | DO NOT SCALE PRINT |
|-----------|--|-----------|--------------|----------------|---------------|--------------------|
| G | | | | | ME | SUPERSEDES 100285 |
| | | SCALE | NONE | EE | | E.C. |
| | | PROJ # | D360 | PE | 2-19-97 | DWG. NO. 101527 |
| | | FILENAME: | 1015271A.SCM | NEXT ASSEMBLY: | | REV (A) |

THESE DRAWINGS AND SPECIFICATIONS ARE THE PROPERTY OF CROWN INTERNATIONAL, INC. AND SHALL NOT BE REPRODUCED, COPIED, OR USED AS THE BASIS FOR THE MANUFACTURE OR SALE OF APPARATUS OR DEVICES WITHOUT PERMISSION.

**CT10 Control Module 220V/240V Information On Following Pages
Documentation, Component Map, Schematic**

CROWN INTERNATIONAL

101057

| | | | | |
|----------|---------------|--------------------------------------|-----------------------------|-------|
| REVISION | B | TITLE: PWA, CT10 CONTROL 220/240V | PRINTS | K |
| MADE BY | TOM SZERENCSE | | SHEET NO. | 2 |
| DATE | 02-12-97 | | CONT. ON SH | 3 |
| PROJ. | D360 | | FIRST MADE FOR: CT10 SERIES | DRAWN |

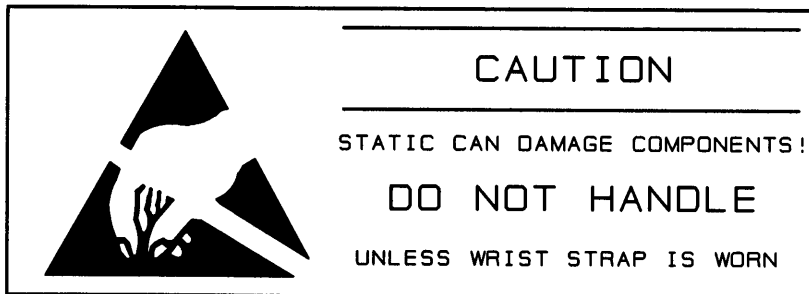
REVISION CONTROL INFORMATION

| NAME | SHEET NO. | SHEET REV. | ACTION |
|---------------|-----------|------------|---|
| PAT WIERS | 1-8 | A | INITIAL RELEASE |
| TOM SZERENCSE | 3 | B | INITIAL RELEASE OF 101057-2. NOTE 2 WAS 100283-1, NOTE 3 WAS 101057-1, DELETED NOTE 6 & 7, NOTE 8 ADDED K931. 100283-2 WAS 100283-1, A10124-24 QTY WAS 6", A10265-10021 QTY WAS 11, C 7873-0 QTY WAS 1, C 7817-7 QTY WAS 10, C10335-5 QTY WAS 1, 101031-1 WAS C 7871-7. ADDED C 9592-4. DELETED A10265-15011 AND C 8982-8. DELETED C930, C931, HW1, AND L930. C932 WAS NOT INSTALLED, ADDED J903 & K931. DELETED R954-R956, Z900, Z902, Z903. ADDED Z930-Z935, W11-W13, W1-W10 WAS C7817-7. DELETED FIGURE 1. REPLACED COMPONENT MAP WITH 100283C-TOPSILK. |
| | 4 | B | |
| | 5 | B | |
| | 6 | B | |
| | 7 | B | |
| | 8 | B | |

UNLESS OTHERWISE SPECIFIED, THE FINISHED PWA SHALL MEET:
IPC-A-610_ CLASS 2

NOTES:

1. SCHEMATIC DRAWING NUMBER 101058.
2. PWB PART NUMBER 100283-2.
3. PWA PART NUMBER 101057-2.
4. ALL LEADS SHALL BE TRIMMED TO 0.093" OR LESS.
5. POSITION COMPONENTS AS SHOWN ON COMPONENT MAP.
- 6.
- 7.
8. THE VENT HOLE ON TOP OF THE RELAY K930 AND K931 MUST BE OPENED AFTER THE CLEANING PROCESS, BY EITHER REMOVING THE SEALING TAPE OR CUTTING OFF THE CIRCULAR TAB WITH AN "EXACTO" KNIFE OR SIMILAR CUTTING TOOL. WARNING, THIS STEP MUST BE DONE AFTER THE CLEANING PROCESS NOT BEFORE!!! WATER OR CLEANING SOLVENTS ENTERING THE RELAY VENT HOLE WILL DAMAGE THE RELAY.
9. THE CROWN PART NUMBER FOR THIS MODULE SHALL BE MARKED ON THE PRINTED CIRCUIT BOARD AND SHALL BE PERMANENT.



CROWN INTERNATIONAL INC.

1718 WEST MISHAWAKA ROAD ELKHART, INDIANA 46517 PHONE (219) 294-8000

THESE DRAWINGS AND SPECIFICATIONS ARE THE PROPERTY OF CROWN INTERNATIONAL, INC. AND SHALL NOT BE REPRODUCED, COPIED, OR USED AS THE BASIS FOR THE MANUFACTURE OR SALE OF APPARATUS OR DEVICES WITHOUT PERMISSION.

DRAWN

KLW

02-12-97

DWG. NO.

SHEET 3
CONT. ON
SHEET 4

REV

PROJ.

D360

101057

(B)

PARTS LIST

| REF DES | C. P. N. | DESCRIPTION | MAP LOC. |
|---------|--------------|--------------------------------|----------|
| R945 | A10265-10021 | 10. KOHM .25W 1 MF T/R | A 4 |
| R946 | A10265-27411 | 2.74KOHM .25W 1% MF T/R | A 4 |
| R947 | A10265-10021 | 10. KOHM .25W 1 MF T/R | A 4 |
| R948 | A10265-10021 | 10. KOHM .25W 1 MF T/R | A 3 |
| R949 | A10265-10031 | 100. KOHM .25W 1 MF T/R | A 3 |
| R950 | A10266-5131 | 51. KOHM .25W 5 CF25 T/R | B 3 |
| R951 | A10266-2731 | 27. KOHM .25W 5 CF T/R | B 2 |
| R952 | A10266-2441 | 240. KOHM .25W 5% CF T/R | B 2 |
| R953 | A10266-2051 | 2 MOHM .25W 5 CF T/R | A 2 |
| R957 | A10265-10021 | 10. KOHM .25W 1 MF T/R | A 2 |
| R958 | 100445-1 | NTC, INRUSH CURRENT LIMITER 3A | D 5 |
| R959 | 100445-1 | NTC, INRUSH CURRENT LIMITER 3A | D 4 |
| R960 | A10266-5612 | 560. OHM .5W 5% CF T/R | A 4 |
| R961 | A10266-4712 | 470, 0.50W, 5%, CF | B 4 |
| R962 | | DO NOT INSTALL | B 2 |
| R963 | A10265-10021 | 10. KOHM .25W 1 MF T/R | B 4 |
| R964 | A10265-10021 | 10. KOHM .25W 1 MF T/R | B 4 |
| R965 | A10265-10021 | 10. KOHM .25W 1 MF T/R | B 4 |
| R966 | A10265-10021 | 10. KOHM .25W 1 MF T/R | B 4 |
| R967 | A10265-10021 | 10. KOHM .25W 1 MF T/R | B 4 |
| R968 | A10265-10031 | 100. KOHM .25W 1 MF T/R | B 4 |
| U930 | C 7558-7 | MC33079P QUAD LOW NOISE OP AMP | B 3 |
| U931 | C 7444-0 | LM393 DUAL COMPARATOR | B 2 |
| U932 | C 7664-3 | MOC3031 ZERO OPTO TRIAC | B 1 |
| W1 | 101031-1 | FASTON, TAB .250 PC MNT | D 4 |
| W2 | 101031-1 | FASTON, TAB .250 PC MNT | D 5 |
| W3 | 101031-1 | FASTON, TAB .250 PC MNT | D 2 |
| W4 | 101031-1 | FASTON, TAB .250 PC MNT | D 2 |
| W5 | 101031-1 | FASTON, TAB .250 PC MNT | D 1 |
| W6 | 101031-1 | FASTON, TAB .250 PC MNT | D 1 |
| W7 | 101031-1 | FASTON, TAB .250 PC MNT | D 3 |
| W8 | 101031-1 | FASTON, TAB .250 PC MNT | D 1 |
| W9 | 101031-1 | FASTON, TAB .250 PC MNT | D 2 |
| W10 | 101031-1 | FASTON, TAB .250 PC MNT | D 1 |
| W11 | 101031-1 | FASTON, TAB .250 PC MNT | D 3 |
| W12 | 101031-1 | FASTON, TAB .250 PC MNT | D 2 |
| W13 | 101031-1 | FASTON, TAB .250 PC MNT | D 3 |
| Z930 | A10124-24 | WIRE, #24 SOLID BUSS | D 3 |
| Z931 | A10124-24 | WIRE, #24 SOLID BUSS | D 3 |
| Z932 | A10124-24 | WIRE, #24 SOLID BUSS | D 3 |
| Z933 | A10124-24 | WIRE, #24 SOLID BUSS | D 3 |
| Z934 | A10124-24 | WIRE, #24 SOLID BUSS | D 3 |
| Z935 | A10124-24 | WIRE, #24 SOLID BUSS | D 3 |
| | | | |
| | | | |
| | | | |
| | | | |
| | | | |
| | | | |
| | | | |
| | | | |

CROWN INTERNATIONAL INC.

1718 WEST MISHAWAKA ROAD ELKHART, INDIANA 46517 PHONE (219) 294-8000

THESE DRAWINGS AND SPECIFICATIONS ARE THE PROPERTY OF CROWN INTERNATIONAL, INC. AND SHALL NOT BE REPRODUCED, COPIED, OR USED AS THE BASIS FOR THE MANUFACTURE OR SALE OF APPARATUS OR DEVICES WITHOUT PERMISSION.

| | | | | | | |
|-------|------|----------|----------|--------|------------------|-----|
| DRAWN | KLW | 02-12-97 | DWG. NO. | 101057 | SHEET 6 | REV |
| PROJ. | D360 | | | | CONT. ON SHEET 7 | (B) |

FIGURE 1

CROWN INTERNATIONAL INC.

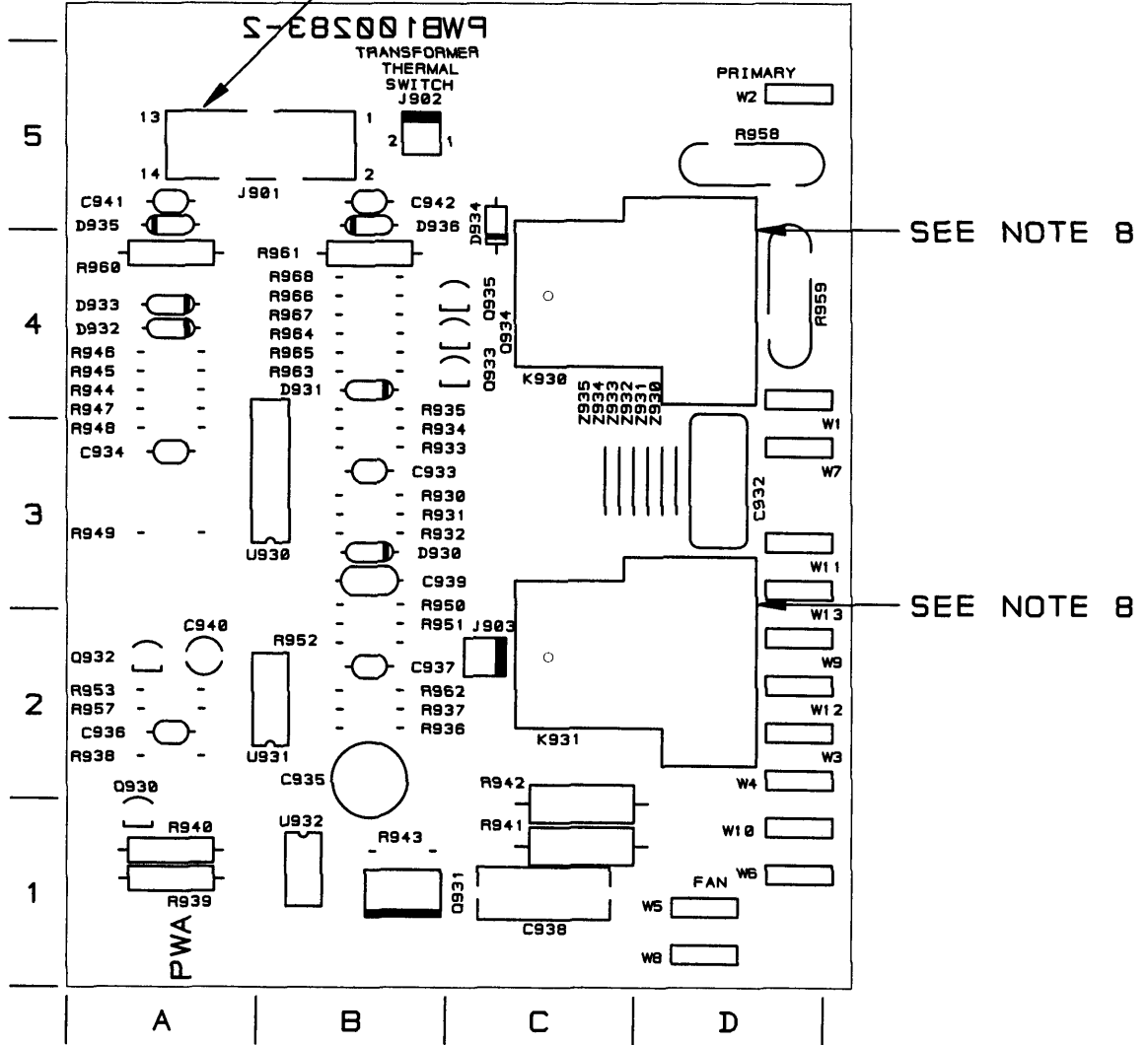
1718 WEST MISHAWAKA ROAD ELKHART, INDIANA 46517 PHONE (219) 294-8000

THESE DRAWINGS AND SPECIFICATIONS ARE THE PROPERTY OF CROWN INTERNATIONAL, INC. AND SHALL NOT BE REPRODUCED, COPIED, OR USED AS THE BASIS FOR THE MANUFACTURE OR SALE OF APPARATUS OR DEVICES WITHOUT PERMISSION.

| | | | | | |
|-------|------|----------|----------|------------------|-----|
| DRAWN | KLW | 02-12-97 | DWG. NO. | SHEET 7 | REV |
| PROJ. | D360 | | 101057 | CONT. ON SHEET 8 | (B) |

COMPONENT MAP (COMPONENT SIDE VIEW)

NOTE: THIS IS THE LATCHING SIDE OF THE CONNECTOR



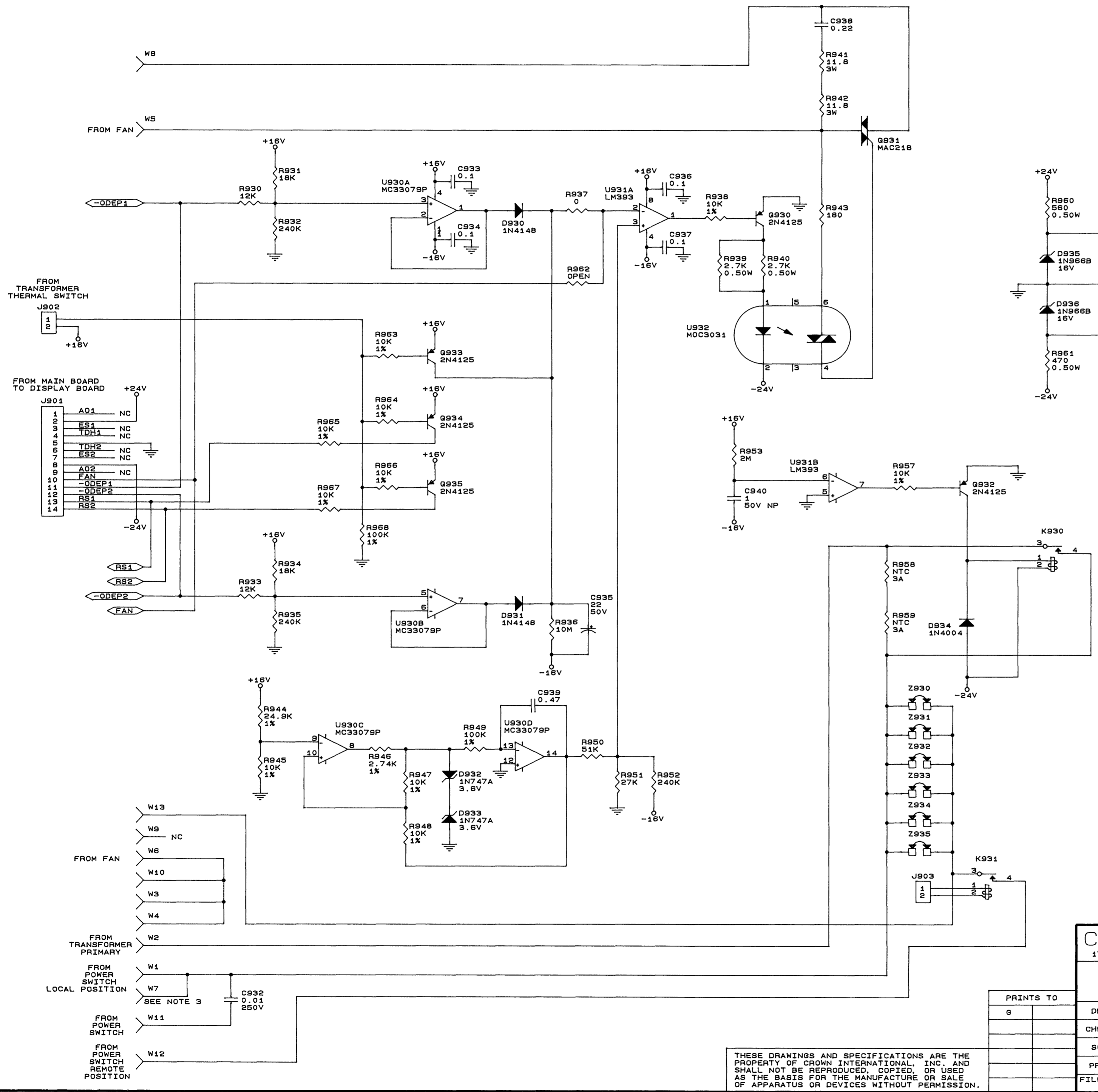
CROWN INTERNATIONAL INC.

1718 WEST MISHAWAKA ROAD ELKHART, INDIANA 46517 PHONE (219) 294-8000

THESE DRAWINGS AND SPECIFICATIONS ARE THE PROPERTY OF CROWN INTERNATIONAL, INC. AND SHALL NOT BE REPRODUCED, COPIED, OR USED AS THE BASIS FOR THE MANUFACTURE OR SALE OF APPARATUS OR DEVICES WITHOUT PERMISSION.

| | | | | | |
|-------|------|----------|----------|---------|-----|
| DRAWN | KLW | 02-12-97 | DWG. NO. | SHEET 8 | REV |
| PROJ. | D360 | | 101057 | | (B) |

| EAT # | ZONE | REV | DESCRIPTION | DATE | BY | APPROVALS | | | |
|--------|------|-----|---|----------|-----|-----------|----|----|-----|
| | | | | | | CK | ME | EE | PE |
| | | (A) | INITIAL RELEASE. | 10/16/96 | LCD | | | | TS |
| 97-101 | | (B) | DELETED C930, C931, L930, R954-R956, Z900, Z902, Z903. ADDED J903, K931, W11-W13, Z930-Z935. | 02-18-97 | KLW | | | | KLW |



| LAST USED | NOT USED |
|-----------|----------|
| C942 | 930, 931 |
| D936 | |
| J903 | |
| K931 | |
| Q935 | |
| R968 | 954-956 |
| U932 | |
| W10 | |
| Z935 | |

- NOTES :
- ALL RESISTORS ARE IN OHMS, 1/4W, 5% UNLESS OTHERWISE SPECIFIED.
 - ALL CAPACITORS ARE IN MICROFARADS UNLESS OTHERWISE SPECIFIED.

INACTIVE
For Reference Use Only

CROWN INTERNATIONAL, INC.
1718 WEST MISHAWAKA ROAD ELKHART, IN. 46517 PHONE (219) 294-8000

SCHEMATIC; CT10 CONTROL 220/240V

| PRINTS TO | | DRAWN | LCD | 10/16/96 | APPROVED BY : | DO NOT SCALE PRINT |
|-----------|--------------|-------|-----|----------|---------------|--------------------|
| G | | | | | | |
| CHECKED | | | | ME | | SUPERSEDES |
| SCALE | NONE | | | EE | | E.C. |
| PROJ # | D360 | | | PE | TS | 10-30-96 |
| FILENAME: | 1010581B.SCM | | | | | DWG. NO. |
| | | | | | | 101058 |
| | | | | | | REV (B) |

THESE DRAWINGS AND SPECIFICATIONS ARE THE PROPERTY OF CROWN INTERNATIONAL, INC. AND SHALL NOT BE REPRODUCED, COPIED, OR USED AS THE BASIS FOR THE MANUFACTURE OR SALE OF APPARATUS OR DEVICES WITHOUT PERMISSION.


**CT810A Control Module 100V 102833 Information On Following Pages
Documentation, Component Map, Schematic**

| E. C. N. | ZONE | REV. | DESCRIPTION | DATE | BY | APPROVALS | | | |
|----------|------|------|-----------------|----------|-----|-----------|----|----|----|
| | | | | | | CHK | ME | EE | PE |
| | | A | INITIAL RELEASE | 06/03/97 | LCD | Kw | | | |

UNLESS OTHERWISE SPECIFIED, THE FINISHED PWA SHALL MEET:
IPC-A-610 CLASS 2

NOTES:

1. SCHEMATIC DRAWING NUMBER 102834.
2. PWB PART NUMBER 102824-1.
3. PWA PART NUMBER 102833-1.
4. ALL LEADS SHALL BE TRIMMED TO 0.093" OR LESS.
5. POSITION COMPONENTS AS SHOWN ON COMPONENT MAP.
6. THE VENT HOLE ON TOP OF THE RELAY K930 AND K931 MUST BE OPENED AFTER THE CLEANING PROCESS, BY EITHER REMOVING THE SEALING TAPE OR CUTTING OFF THE CIRCULAR TAB WITH AN "EXACTO" KNIFE OR SIMILAR CUTTING TOOL. WARNING, THIS STEP MUST BE DONE AFTER THE CLEANING PROCESS NOT BEFORE!!! WATER OR CLEANING SOLVENTS ENTERING THE RELAY VENT HOLE WILL DAMAGE THE RELAY.
7. THE CROWN PART NUMBER FOR THIS MODULE SHALL BE MARKED ON THE PRINTED CIRCUIT BOARD AND SHALL BE PERMANENT.



CAUTION

STATIC CAN DAMAGE COMPONENTS!

DO NOT HANDLE

UNLESS WRIST STRAP IS WORN

INACTIVE
For Reference Use Only

| | | | | | | | | | |
|---------------------------------|--|---|----------|--------------|--|----------------------|-----------------------|-----------------------|-----|
| CROWN INTERNATIONAL INC. | | | | | | | | | |
| PRINTS | | 1718 WEST MISHAWAKA ROAD ELKHART, INDIANA 46517 | | | | PHONE (219) 294-8000 | | | |
| K | | PWA CT10A CONTROL 100V | | | | | | TOL. UNLESS SPECIFIED | |
| | | | | | | | | X.XX = ± 0.020 | |
| | | | | | | | | X.XXX = ± 0.010 | |
| | | | | | | | | DRILLS = ± 0.003 | |
| DRAWN | | LCD | 06/03/97 | APPROVED BY: | | DO NOT SCALE PRINT | | | |
| CHECKED | | Kw | 06-04-97 | ME | | SUPERSEDES | | | |
| SCALE | | NONE | | EE | | E. C. N. | | | |
| PROJ # | | MD360D0 | | PE | | 6-4-97 | DWG. NO. SHEET 1 OF 5 | | REV |
| NEXT ASSEMBLY | | | | | | 102833 | | (A) | |

THESE DRAWINGS AND SPECIFICATIONS ARE THE PROPERTY OF CROWN INTERNATIONAL, INC. AND SHALL NOT BE REPRODUCED, COPIED, OR USED AS THE BASIS FOR THE MANUFACTURE OR SALE OF APPARATUS OR DEVICES WITHOUT PERMISSION.

PARTS LIST

| C. P. N. | DESCRIPTION | QTY | REFERENCE DESIGNATION |
|--------------|------------------------------|-----|--|
| 102824-1 | PWB, CT10A CONTROL, , , | 1 | 1 |
| 101031-1 | FASTON, TAB .250 PC MNT | 13 | W1, W10, W2, W3, W4, W5, W6, W7, W8, W9, W11, W12, W13 |
| 101131-1 | NTC, INRUSH CURR LIMITER 4A | 1 | R958 |
| A10124-24 | WIRE, #24 SOLID BUS | 16" | R937, R959, Z930, Z931, Z932, Z933, Z934, Z935 |
| A10265-10021 | 10. KOHM .25W 1 MF T/R | 10 | R938, R945, R947, R948, R957, R963, R964, R965, R966, R967 |
| A10265-10031 | 100. KOHM .25W 1 MF T/R | 2 | R949, R968 |
| A10265-24921 | 24.9 KOHM .25W 1% MF T/R | 1 | R944 |
| A10265-27411 | 2.74KOHM .25W 1% MF T/R | 1 | R946 |
| A10266-1061 | 10. MOHM .25W 5% CF T/R | 1 | R936 |
| A10266-1231 | 12. KOHM .25W 5% CF T/R | 2 | R930, R933 |
| A10266-1811 | 180. OHM .25W 5% CF25 T/R | 1 | R943 |
| A10266-1831 | 18. KOHM .25W 5% CF T/R | 2 | R931, R934 |
| A10266-2051 | 2 MOHM .25W 5 CF T/R | 1 | R953 |
| A10266-2441 | 240. KOHM .25W 5% CF T/R | 3 | R932, R935, R952 |
| A10266-2722 | 2.7 KOHM .5W 5% CF T/R | 2 | R939, R940 |
| A10266-2731 | 27. KOHM .25W 5 CF T/R | 1 | R951 |
| A10266-4712 | 470, 0.50W, 5%, CF | 1 | R961 |
| A10266-5131 | 51. KOHM .25W 5 CF25 T/R | 1 | R950 |
| A10266-5612 | 560. OHM .5W 5% CF T/R | 1 | R960 |
| C 2851-1 | RECTIFIER, 1N4004 SILICON T/ | 1 | D934 |
| C 3181-2 | DIODE, 1N4148 T/R | 2 | D930, D931 |
| C 3533-4 | DIODE, 1N966B 16V ZENER T/R | 2 | D935, D936 |
| C 3625-8 | 2N4125 30V PNP T/R | 5 | Q930, Q932, Q933, Q934, Q935, |
| C 5311-3 | 22UF 50V 20% NP VERT T/A | 1 | C935 |
| C 6802-0 | .47UF 50V AXIAL CER T/R 474 | 1 | C939 |
| C 6804-6 | .1UF 50V AXIAL CER T/R 104 | 6 | C933, C934, C936, C937, C941, C942 |
| C 7444-0 | LM393 DUAL COMPARATOR | 1 | U931 |
| C 7558-7 | MC33079P QUAD LOW NOISE OP A | 1 | U930 |
| C 7662-7 | MAC218A6 8AMP 400V TRIAC | 1 | Q931 |
| C 7664-3 | MOC3031 ZERO OPTO TRIAC | 1 | U932 |
| C 7873-0 | 2POS .1 CENTER MTA HEADER TI | 2 | J902, J903 |
| C 8369-8 | 1N747A 3.6V 5% ZENER .5W | 2 | D932, D933 |
| C 8554-5 | .22UF 250V 10% POLYESTER | 1 | C938 |
| C 8894-5 | 1UF 50V VERT 10% NP ELECT T/ | 1 | C940 |
| C 9592-4 | .01 250VAC UL/CSA 20% FILM | 1 | C932 |
| C 9885-2 | 14PIN DUAL ROW HDR .1 X.1 CT | 1 | J901 |
| C 9930-6 | 11.8 OHM 3W 5% WW T/R | 2 | R941, R942 |
| C10335-5 | RELAY, 30A 24V T90 SEALED CE | 2 | K930, K931 |
| | | | |
| | | | |
| | | | |
| | | | |
| | | | |
| | | | |
| | | | |
| | | | |
| | | | |
| | | | |
| | | | |
| | | | |
| | | | |
| | | | |
| | | | |

INACTIVE

For Reference Use Only

CROWN INTERNATIONAL INC.

1718 WEST MISHAWAKA ROAD ELKHART, INDIANA 46517 PHONE (219) 294-8000

THESE DRAWINGS AND SPECIFICATIONS ARE THE PROPERTY OF CROWN INTERNATIONAL, INC. AND SHALL NOT BE REPRODUCED, COPIED, OR USED AS THE BASIS FOR THE MANUFACTURE OR SALE OF APPARATUS OR DEVICES WITHOUT PERMISSION.

| | | | | | |
|-------|---------|----------|----------|--------------|-----|
| DRAWN | LCD | 06/03/97 | DWG. NO. | SHEET 2 OF 5 | REV |
| PROJ. | MD360D0 | | 102833 | | (A) |

PARTS LIST

| REF DES | C.P.N. | DESCRIPTION | MAP LOC. |
|---------|--------------|-------------------------------|----------|
| 1 | 102824-1 | PWB, CT10 CONTROL, , , | |
| C932 | C 9592-4 | .01 250VAC UL/CSA 20% FILM | D 3 |
| C933 | C 6804-6 | .1UF 50V AXIAL CER T/R 104 | B 3 |
| C934 | C 6804-6 | .1UF 50V AXIAL CER T/R 104 | A 3 |
| C935 | C 5311-3 | 22UF 50V 20% NP VERT T/A | B 2 |
| C936 | C 6804-6 | .1UF 50V AXIAL CER T/R 104 | A 2 |
| C937 | C 6804-6 | .1UF 50V AXIAL CER T/R 104 | B 2 |
| C938 | C 8554-5 | .22UF 250V 10% POLYESTER | C 1 |
| C939 | C 6802-0 | .47UF 50V AXIAL CER T/R 474 | B 3 |
| C940 | C 8894-5 | 1UF 50V VERT 10% NP ELECT T/R | A 2 |
| C941 | C 6804-6 | .1UF 50V AXIAL CER T/R 104 | A 5 |
| C942 | C 6804-6 | .1UF 50V AXIAL CER T/R 104 | B 5 |
| D930 | C 3181-2 | DIODE, 1N4148 T/R | B 3 |
| D931 | C 3181-2 | DIODE, 1N4148 T/R | B 4 |
| D932 | C 8369-8 | 1N747A 3.6V 5% ZENER .5W | A 4 |
| D933 | C 8369-8 | 1N747A 3.6V 5% ZENER .5W | A 4 |
| D934 | C 2851-1 | RECTIFIER, 1N4004 SILICON T/R | C 5 |
| D935 | C 3533-4 | DIODE, 1N966B 16V ZENER T/R | A 5 |
| D936 | C 3533-4 | DIODE, 1N966B 16V ZENER T/R | B 5 |
| J901 | C 9885-2 | 14PIN DUAL ROW HDR .1 X.1 CTR | B 5 |
| J902 | C 7873-0 | 2POS .1 CENTER MTA HEADER TIN | B 5 |
| J903 | C 7873-0 | 2POS .1 CENTER MTA HEADER TIN | C 2 |
| K930 | C10335-5 | RELAY, 30A 24V T90 SEALED CE | C 4 |
| K931 | C10335-5 | RELAY, 30A 24V T90 SEALED CE | C 2 |
| Q930 | C 3625-8 | 2N4125 30V PNP T/R | A 1 |
| Q931 | C 7662-7 | MAC218A6 8AMP 400V TRIAC | B 1 |
| Q932 | C 3625-8 | 2N4125 30V PNP T/R | A 2 |
| Q933 | C 3625-8 | 2N4125 30V PNP T/R | B 4 |
| Q934 | C 3625-8 | 2N4125 30V PNP T/R | B 4 |
| Q935 | C 3625-8 | 2N4125 30V PNP T/R | B 4 |
| R930 | A10266-1231 | 12.KOHM .25W 5% CF T/R | B 3 |
| R931 | A10266-1831 | 18. KOHM .25W 5% CF T/R | B 3 |
| R932 | A10266-2441 | 240. KOHM .25W 5% CF T/R | B 3 |
| R933 | A10266-1231 | 12.KOHM .25W 5% CF T/R | B 3 |
| R934 | A10266-1831 | 18. KOHM .25W 5% CF T/R | B 3 |
| R935 | A10266-2441 | 240. KOHM .25W 5% CF T/R | B 4 |
| R936 | A10266-1061 | 10. MOHM .25W 5 CF25 T/R | B 2 |
| R937 | A10124-24 | WIRE, #24 SOLID BUS | B 2 |
| R938 | A10265-10021 | 10. KOHM .25W 1 MF T/R | A 2 |
| R939 | A10266-2722 | 2.7 KOHM .5W 5% CF T/R | A 1 |
| R940 | A10266-2722 | 2.7 KOHM .5W 5% CF T/R | A 1 |
| R941 | C 9930-6 | 11.8 OHM 3W 5% WW T/R | C 1 |
| R942 | C 9930-6 | 11.8 OHM 3W 5% WW T/R | C 1 |
| R943 | A10266-1811 | 180. OHM .25W 5% CF25 T/R | B 1 |
| R944 | A10265-24921 | 24.9 KOHM .25W 1% MF T/R | A 4 |
| | | | |
| | | | |
| | | | |
| | | | |

INACTIVE

For Reference Use Only

CROWN INTERNATIONAL INC.

1718 WEST MISHAWAKA ROAD ELKHART, INDIANA 46517 PHONE (219) 294-8000

DRAWN

LCD 06/03/97

DWG. NO.

SHEET 3 OF 5

REV

PROJ.

MD360D0

102833

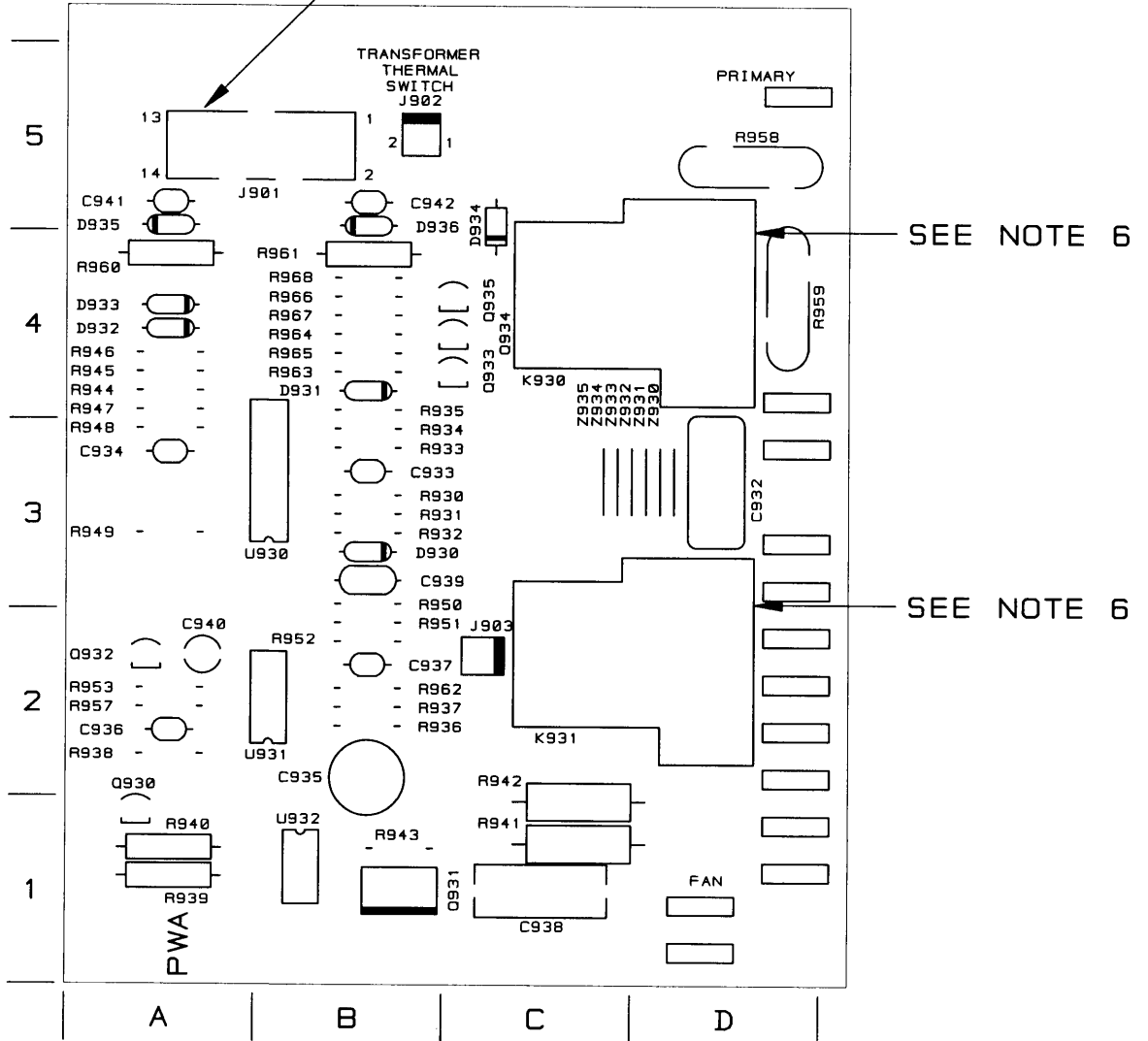
A

THESE DRAWINGS AND SPECIFICATIONS ARE THE PROPERTY OF CROWN INTERNATIONAL, INC. AND SHALL NOT BE REPRODUCED, COPIED, OR USED AS THE BASIS FOR THE MANUFACTURE OR SALE OF APPARATUS OR DEVICES WITHOUT PERMISSION.

COMPONENT MAP

(COMPONENT SIDE VIEW)

NOTE: THIS IS THE LATCHING SIDE OF THE CONNECTOR



INACTIVE

For Reference Use Only

CROWN INTERNATIONAL INC.

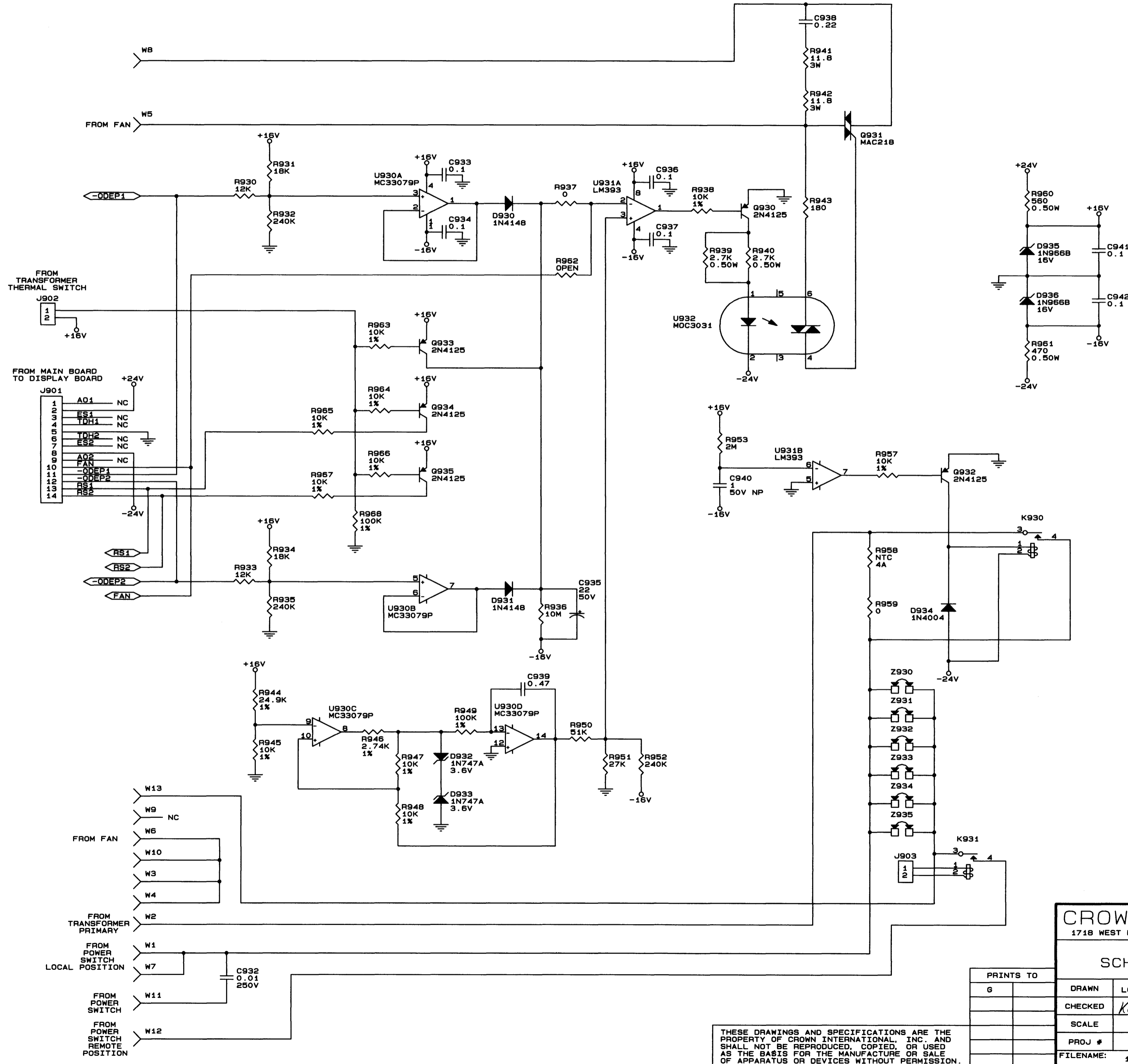
1718 WEST MISHAWAKA ROAD ELKHART, INDIANA 46517

PHONE (219) 294-8000

THESE DRAWINGS AND SPECIFICATIONS ARE THE PROPERTY OF CROWN INTERNATIONAL, INC. AND SHALL NOT BE REPRODUCED, COPIED, OR USED AS THE BASIS FOR THE MANUFACTURE OR SALE OF APPARATUS OR DEVICES WITHOUT PERMISSION.

| | | | | | |
|-------|---------|----------|----------|--------------|-----|
| DRAWN | LCD | 06/03/97 | DWG. NO. | SHEET 5 OF 5 | REV |
| PROJ. | MD360D0 | | 102833 | | (A) |

| EAT # | ZONE | REV | DESCRIPTION | DATE | BY | APPROVALS |
|-------|------|-----|------------------|----------|-----|-------------|
| | | (A) | INITIAL RELEASE. | 06/04/97 | LCD | CK ME EE PE |



| LAST USED | NOT USED |
|-----------|----------|
| C942 | 930, 931 |
| D936 | |
| J903 | |
| K931 | |
| Q935 | |
| R968 | 954-956 |
| U932 | |
| W10 | |
| Z935 | |

- NOTES :
- ALL RESISTORS ARE IN OHMS, 1/4W, 5% UNLESS OTHERWISE SPECIFIED.
 - ALL CAPACITORS ARE IN MICROFARADS UNLESS OTHERWISE SPECIFIED.

INACTIVE
For Reference Use Only

CROWN INTERNATIONAL, INC.
1718 WEST MISHAWAKA ROAD ELKHART, IN. 46517 PHONE (219) 294-8000

SCHEMATIC; CT10A CONTROL 100V

| | | | | | | |
|-----------|---|-----------|--------------|----------------|---------------|--------------------|
| PRINTS TO | G | DRAWN | LCD | 05/04/97 | APPROVED BY : | DO NOT SCALE PRINT |
| | | CHECKED | Kw | 06-04-97 | ME | SUPERSEDES |
| | | SCALE | NONE | EE | | E. C. |
| | | PROJ # | MD36000 | PE | 6-4-97 | DWG. NO. |
| | | FILENAME: | 1028341A.SCM | NEXT ASSEMBLY: | | 102834 |

THESE DRAWINGS AND SPECIFICATIONS ARE THE PROPERTY OF CROWN INTERNATIONAL, INC. AND SHALL NOT BE REPRODUCED, COPIED, OR USED AS THE BASIS FOR THE MANUFACTURE OR SALE OF APPARATUS OR DEVICES WITHOUT PERMISSION.

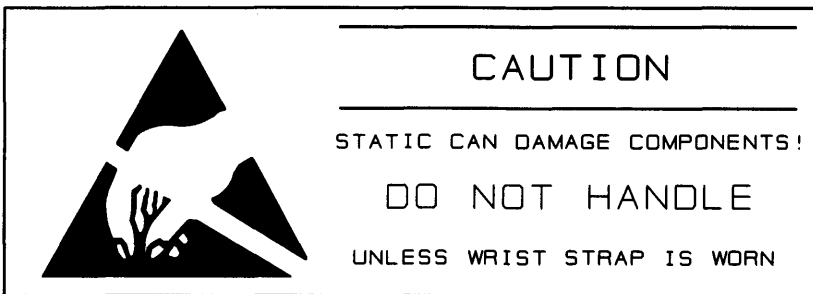
**CT810A Control Module 100V 125420 Information On Following Pages
Documentation, Component Map, Schematic**

| E.C.N. | ZONE | REV. | DESCRIPTION | DATE | BY | APPROVALS | | | |
|--------|------|------|-----------------|----------|-----|-----------|----|----|----|
| | | | | | | CHK | ME | EE | PE |
| | | A | INITIAL RELEASE | 11-04-97 | KLW | JM | | | EB |

UNLESS OTHERWISE SPECIFIED, THE FINISHED PWA SHALL MEET:
IPC-A-610 CLASS 2

NOTES:

1. SCHEMATIC DRAWING NUMBER 125425.
2. PRINTED WIRING BOARD PART NUMBER 125415-1.
3. PRINTED WIRING ASSEMBLY PART NUMBER 125420-1.
4. ALL LEADS SHALL BE TRIMMED TO 0.093" OR LESS.
5. POSITION COMPONENTS AS SHOWN ON COMPONENT MAP.
6. THE VENT HOLE ON TOP OF THE RELAY K930 AND K931 MUST BE OPENED AFTER THE CLEANING PROCESS, BY EITHER REMOVING THE SEALING TAPE OR CUTTING OFF THE CIRCULAR TAB WITH AN "EXACTO" KNIFE OR SIMILAR CUTTING TOOL. WARNING, THIS STEP MUST BE DONE AFTER THE CLEANING PROCESS NOT BEFORE!!! WATER OR CLEANING SOLVENTS ENTERING THE RELAY VENT HOLE WILL DAMAGE THE RELAY.
7. THE CROWN PART NUMBER FOR THIS MODULE SHALL BE MARKED ON THE PRINTED CIRCUIT BOARD AND SHALL BE PERMANENT.



| | | | | | | | | | |
|---------------------------------|---|---------|----------|--------------|----------------------|----------|--|--------------|-----|
| CROWN INTERNATIONAL INC. | | | | | | | | | |
| PRINTS | 1718 WEST MISHAWAKA ROAD ELKHART, INDIANA 46517 | | | | PHONE (219) 294-8000 | | | | |
| K | PWA CT10A CONTROL 100V | | | | | | TOL. UNLESS SPECIFIED X.XX - ± 0.020 X.XXX - ± 0.010 DRILLS - ± 0.003 | | |
| | DRAWN | KLW | 11-04-97 | APPROVED BY: | DO NOT SCALE PRINT | | | | |
| | CHECKED | JM | 11-11-97 | ME | SUPERSEDES | | | | |
| | SCALE | NONE | | EE | E.C.N. | | | | |
| | PROJ # | MD360D0 | | PE | EB | 11-11-97 | DWG. NO. | SHEET 1 OF 5 | REV |
| | NEXT ASSEMBLY | | | | | | 125420 | | (A) |

INACTIVE
For Reference Use Only

THESE DRAWINGS AND SPECIFICATIONS ARE THE PROPERTY OF CROWN INTERNATIONAL, INC. AND SHALL NOT BE REPRODUCED, COPIED, OR USED AS THE BASIS FOR THE MANUFACTURE OR SALE OF APPARATUS OR DEVICES WITHOUT PERMISSION.

PARTS LIST

| C. P. N. | DESCRIPTION | QTY | REFERENCE DESIGNATION |
|--------------|------------------------------|-----|--|
| A10124-24 | WIRE, #24 SOLID BUS | 18" | R959, Z902, Z903, Z930, Z931, Z932, Z933, Z934, Z935 |
| A10265-10021 | 10K OHM 0.25W 1% MF T/R | 10 | R930, R933, R938, R957, R963, R964, R966, R969, R972, R975 |
| A10265-10031 | 100K OHM 0.25W 1% MF T/R | 1 | R968 |
| A10265-12121 | 12.1K OHM 0.25W 1% MF T/R | 2 | R970, R971 |
| A10265-20011 | 2K OHM 0.25W 1% MF T/R | 1 | R978 |
| A10265-20021 | 20K OHM 0.25W 1% MF T/R | 2 | R931, R934 |
| A10265-60431 | 604K OHM 0.25W 1% MF T/R | 1 | R977 |
| A10266-1241 | 120K OHM 0.25W 5% CF T/R | 1 | R973 |
| A10266-1811 | 180 OHM 0.25W 5% CF25 T/R | 1 | R943 |
| A10266-2051 | 2M OHM 0.25W 5% CF T/R | 1 | R953 |
| A10266-2721 | 2.7K OHM 0.25W 5% CF T/R | 2 | R965, R967 |
| A10266-2722 | 2.7K OHM 0.50W 5% CF T/R | 2 | R939, R940 |
| A10266-3351 | 3.3M OHM 0.25W 5% CF T/R | 1 | R936 |
| A10266-4321 | 4.3K OHM 0.25W 5% CF T/R | 2 | R974, R976 |
| A10266-4712 | 470 OHM 0.50W 5% CF | 1 | R961 |
| A10266-5612 | 560 OHM 0.50W 5% CF T/R | 1 | R960 |
| C 2851-1 | RECTIFIER, 1N4004 SILICON T/ | 5 | D934, D937, D938, D939, D940 |
| C 3181-2 | DIODE, 1N4148 T/R | 2 | D930, D931 |
| C 3533-4 | DIODE, 1N966B 16V ZENER T/R | 2 | D935, D936 |
| C 3549-0 | DIODE, ZENER 10V 1N5240B T/R | 1 | D941 |
| C 3625-8 | 2N4125 30V PNP T/R | 6 | Q930, Q932, Q933, Q934, Q935, Q936 |
| C 5311-3 | 22UF 50V 20% NP VERT T/A | 1 | C935 |
| C 6804-6 | .1UF 50V AXIAL CER T/R 104 | 7 | C933, C934, C936, C937, C941, C942, C943 |
| C 6812-9 | 47PF 200V 10% NPO AXL CER | 2 | C939, C944 |
| C 7444-0 | LM393 DUAL COMPARATOR | 1 | U931 |
| C 7636-1 | MC33078P DUAL LOW NOISE OP A | 1 | U930 |
| C 7665-0 | MOC3011 OPTO TRIAC | 1 | U932 |
| C 7746-8 | 3POS SGLROW HDR .025 POST G | 1 | J905 |
| C 7873-0 | 2POS .1 CENTER MTA HEADER TI | 2 | J902, J903 |
| C 8554-5 | .22UF 250V 10% POLYESTER | 1 | C938 |
| C 8894-5 | 1UF 50V VERT 10% NP ELECT T/ | 1 | C940 |
| C 9255-8 | 4N37 PHOTXSISTOR OPTO ISOLR | 1 | U933 |
| C 9592-4 | .01 250VAC UL/CSA 20% FILM | 1 | C932 |
| C 9885-2 | 14PIN DUAL ROW HDR .1 X.1 CT | 1 | J901 |
| C 9930-6 | 11.8 OHM 3W 5% WW T/R | 2 | R941, R942 |
| C10325-6 | 2200.PF 250VAC 20% FILM Y2 | 2 | C929, C931 |
| C10326-4 | .1UF 250VAC 20% FILM X2 | 1 | C930 |
| C10335-5 | RELAY, 30A 24V T90 SEALED CE | 2 | K930, K931 |
| 101031-1 | FASTON, TAB .250 PC MNT | 13 | W1, W2, W3, W4, W5, W6, W7, W8, W9, W10, W11, W12, W13 |
| 101131-1 | NTC, INRUSH CURR LIMITER 4A | 1 | R958 |
| 125106-1 | MAC9D 8A 400V TRIAC | 1 | Q931 |
| 125158-1 | 6.8K OHM 3W 5% WW T/R | 1 | R944 |
| 125415-1 | PWB, CT10A CONTROL, , , | 1 | |

INACTIVE

For Reference Use Only

CROWN INTERNATIONAL INC.

1718 WEST MISHAWAKA ROAD ELKHART, INDIANA 46517 PHONE (219) 294-8000

THESE DRAWINGS AND SPECIFICATIONS ARE THE PROPERTY OF CROWN INTERNATIONAL, INC. AND SHALL NOT BE REPRODUCED, COPIED, OR USED AS THE BASIS FOR THE MANUFACTURE OR SALE OF APPARATUS OR DEVICES WITHOUT PERMISSION.

| | | | | | |
|-------|---------|----------|----------|--------------|-----|
| DRAWN | KLW | 11-04-97 | DWG. NO. | SHEET 2 OF 5 | REV |
| PROJ. | MD360D0 | | 125420 | | A |

PARTS LIST

| REF DES | C.P.N. | DESCRIPTION | MAP LOC. |
|---------|--------------|--------------------------------|----------|
| C929 | C10325-6 | 2200.PF 250VAC 20% FILM Y2 | |
| C930 | C10326-4 | .1UF 250VAC 20% FILM X2 | |
| C931 | C10325-6 | 2200.PF 250VAC 20% FILM Y2 | |
| C932 | C 9592-4 | .01 250VAC UL/CSA 20% FILM | |
| C933 | C 6804-6 | .1UF 50V AXIAL CER T/R 104 | |
| C934 | C 6804-6 | .1UF 50V AXIAL CER T/R 104 | |
| C935 | C 5311-3 | 22UF 50V 20% NP VERT T/A | |
| C936 | C 6804-6 | .1UF 50V AXIAL CER T/R 104 | |
| C937 | C 6804-6 | .1UF 50V AXIAL CER T/R 104 | |
| C938 | C 8554-5 | .22UF 250V 10% POLYESTER | |
| C939 | C 6812-9 | 47PF 200V 10% NPO AXL CER | |
| C940 | C 8894-5 | 1UF 50V VERT 10% NP ELECT T/R | |
| C941 | C 6804-6 | .1UF 50V AXIAL CER T/R 104 | |
| C942 | C 6804-6 | .1UF 50V AXIAL CER T/R 104 | |
| C943 | C 6804-6 | .1UF 50V AXIAL CER T/R 104 | |
| C944 | C 6812-9 | 47PF 200V 10% NPO AXL CER | |
| D930 | C 3181-2 | DIODE, 1N4148 T/R | |
| D931 | C 3181-2 | DIODE, 1N4148 T/R | |
| D934 | C 2851-1 | RECTIFIER, 1N4004 SILICON T/R | |
| D935 | C 3533-4 | DIODE, 1N966B 16V ZENER T/R | |
| D936 | C 3533-4 | DIODE, 1N966B 16V ZENER T/R | |
| D937 | C 2851-1 | RECTIFIER, 1N4004 SILICON T/R | |
| D938 | C 2851-1 | RECTIFIER, 1N4004 SILICON T/R | |
| D939 | C 2851-1 | RECTIFIER, 1N4004 SILICON T/R | |
| D940 | C 2851-1 | RECTIFIER, 1N4004 SILICON T/R | |
| D941 | C 3549-0 | DIODE, ZENER 10V 1N5240B T/R | |
| J901 | C 9885-2 | 14PIN DUAL ROW HDR .1 X.1 CTR | |
| J902 | C 7873-0 | 2POS .1 CENTER MTA HEADER TIN | |
| J903 | C 7873-0 | 2POS .1 CENTER MTA HEADER TIN | |
| J905 | C 7746-8 | 3POS SGLROW HDR .025 POST GOLD | |
| K930 | C10335-5 | RELAY, 30A 24V T90 SEALED CE | |
| K931 | C10335-5 | RELAY, 30A 24V T90 SEALED CE | |
| L930 | | --- OPEN --- | |
| Q930 | C 3625-8 | 2N4125 30V PNP T/R | |
| Q931 | 125106-1 | MAC9D 8AMP 400V TRIAC | |
| Q932 | C 3625-8 | 2N4125 30V PNP T/R | |
| Q933 | C 3625-8 | 2N4125 30V PNP T/R | |
| Q934 | C 3625-8 | 2N4125 30V PNP T/R | |
| Q935 | C 3625-8 | 2N4125 30V PNP T/R | |
| Q936 | C 3625-8 | 2N4125 30V PNP T/R | |
| R930 | A10265-10021 | 10K OHM 0.25W 1% MF T/R | |
| R931 | A10265-20021 | 20K OHM 0.25W 1% MF T/R | |
| R933 | A10265-10021 | 10K OHM 0.25W 1% MF T/R | |
| R934 | A10265-20021 | 20K OHM 0.25W 1% MF T/R | |
| R936 | A10266-3351 | 3.3M OHM 0.25W 5% CF25 T/R | |
| R938 | A10265-10021 | 10K OHM 0.25W 1% MF T/R | |
| R939 | A10266-2722 | 2.7K OHM 0.50W 5% CF T/R | |
| R940 | A10266-2722 | 2.7K OHM 0.50W 5% CF T/R | |
| R941 | C 9930-6 | 11.8 OHM 3W 5% WW T/R | |
| R942 | C 9930-6 | 11.8 OHM 3W 5% WW T/R | |

INACTIVE

For Reference Use Only

CROWN INTERNATIONAL INC.

1718 WEST MISHAWAKA ROAD ELKHART, INDIANA 46517 PHONE (219) 294-8000

THESE DRAWINGS AND SPECIFICATIONS ARE THE PROPERTY OF CROWN INTERNATIONAL, INC. AND SHALL NOT BE REPRODUCED, COPIED, OR USED AS THE BASIS FOR THE MANUFACTURE OR SALE OF APPARATUS OR DEVICES WITHOUT PERMISSION.

| | | | |
|-------|---------|----------|----------|
| DRAWN | KLW | 11-04-97 | DWG. NO. |
| PROJ. | MD360D0 | | 125420 |

SHEET 3 OF 5

REV

A

PARTS LIST

| REF DES | C.P.N. | DESCRIPTION | MAP LOC. |
|---------|--------------|--------------------------------|----------|
| R943 | A10266-1811 | 180 OHM 0.25W 5% CF25 T/R | |
| R944 | 125158-1 | 6.8K OHM 3W 5% MF T/R | |
| R953 | A10266-2051 | 2M OHM 0.25W 5% CF T/R | |
| R957 | A10265-10021 | 10K OHM 0.25W 1% MF T/R | |
| R958 | 101131-1 | NTC, INRUSH CURRENT LIMITER 4A | |
| R959 | A10124-24 | WIRE, #24 SOLID BUSS | |
| R960 | A10266-5612 | 560 OHM 0.50W 5% CF T/R | |
| R961 | A10266-4712 | 470 OHM 0.50W 5% CF | |
| R963 | A10265-10021 | 10K OHM 0.25W 1% MF T/R | |
| R964 | A10265-10021 | 10K OHM 0.25W 1% MF T/R | |
| R965 | A10266-2721 | 2.7K OHM 0.25W 5% CF T/R | |
| R966 | A10265-10021 | 10K OHM 0.25W 1% MF T/R | |
| R967 | A10266-2721 | 2.7K OHM 0.25W 5% CF T/R | |
| R968 | A10265-10031 | 100K OHM 0.25W 1% MF T/R | |
| R969 | A10265-10021 | 10K OHM 0.25W 1% MF T/R | |
| R970 | A10265-12121 | 12.1K OHM 0.25W 1% CF25 T/R | |
| R971 | A10265-12121 | 12.1K OHM 0.25W 1% CF25 T/R | |
| R972 | A10265-10021 | 10K OHM 0.25W 1% MF T/R | |
| R973 | A10266-1241 | 120K OHM 0.25W 5% CF T/R | |
| R974 | A10266-4321 | 4.3K OHM 0.25W 5% CF T/R | |
| R975 | A10265-10021 | 10K OHM 0.25W 1% MF T/R | |
| R976 | A10266-4321 | 4.3K OHM 0.25W 5% CF T/R | |
| R977 | A10265-60431 | 604K OHM 0.25W 1% MF T/R | |
| R978 | A10265-20011 | 2K OHM 0.25W 1% MF T/R | |
| U930 | C 7636-1 | MC33078P DUAL LOW NOISE OP AMP | |
| U931 | C 7444-0 | LM393 DUAL COMPARATOR | |
| U932 | C 7665-0 | MOC3011 OPTO TRIAC | |
| U933 | C 9255-8 | 4N37 PHOTOXSISTOR OPTO ISOLR | |
| W1 | 101031-1 | FASTON, TAB .250 PC MNT | |
| W2 | 101031-1 | FASTON, TAB .250 PC MNT | |
| W3 | 101031-1 | FASTON, TAB .250 PC MNT | |
| W4 | 101031-1 | FASTON, TAB .250 PC MNT | |
| W5 | 101031-1 | FASTON, TAB .250 PC MNT | |
| W6 | 101031-1 | FASTON, TAB .250 PC MNT | |
| W7 | 101031-1 | FASTON, TAB .250 PC MNT | |
| W8 | 101031-1 | FASTON, TAB .250 PC MNT | |
| W9 | 101031-1 | FASTON, TAB .250 PC MNT | |
| W10 | 101031-1 | FASTON, TAB .250 PC MNT | |
| W11 | 101031-1 | FASTON, TAB .250 PC MNT | |
| W12 | 101031-1 | FASTON, TAB .250 PC MNT | |
| W13 | 101031-1 | FASTON, TAB .250 PC MNT | |
| Z902 | A10124-24 | WIRE, #24 SOLID BUSS | |
| Z903 | A10124-24 | WIRE, #24 SOLID BUSS | |
| Z930 | A10124-24 | WIRE, #24 SOLID BUSS | |
| Z931 | A10124-24 | WIRE, #24 SOLID BUSS | |
| Z932 | A10124-24 | WIRE, #24 SOLID BUSS | |
| Z933 | A10124-24 | WIRE, #24 SOLID BUSS | |
| Z934 | A10124-24 | WIRE, #24 SOLID BUSS | |
| Z935 | A10124-24 | WIRE, #24 SOLID BUSS | |
| | 125415-1 | PWB, CT10A CONTROL, . | |

INACTIVE

For Reference Use Only

CROWN INTERNATIONAL INC.

1718 WEST MISHAWAKA ROAD ELKHART, INDIANA 46517 PHONE (219) 294-8000

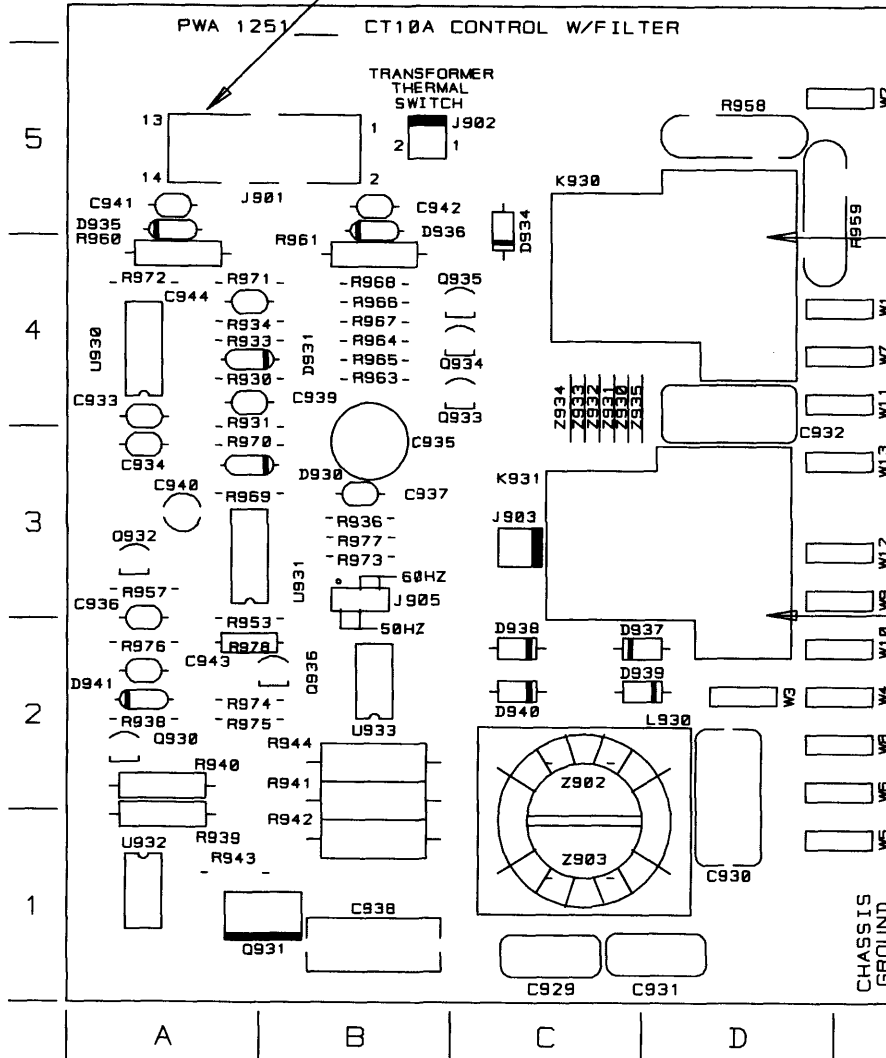
THESE DRAWINGS AND SPECIFICATIONS ARE THE PROPERTY OF CROWN INTERNATIONAL, INC. AND SHALL NOT BE REPRODUCED, COPIED, OR USED AS THE BASIS FOR THE MANUFACTURE OR SALE OF APPARATUS OR DEVICES WITHOUT PERMISSION.

| | | | | | |
|-------|---------|----------|----------|--------------|-----|
| DRAWN | KLW | 11-04-97 | DWG. NO. | SHEET 4 OF 5 | REV |
| PROJ. | MD360D0 | | 125420 | | (A) |

COMPONENT MAP

(COMPONENT SIDE VIEW)

NOTE: THIS IS THE LATCHING
SIDE OF THE CONNECTOR



SEE NOTE 6

SEE NOTE 6

INACTIVE
For Reference Use Only

CROWN INTERNATIONAL INC.

1718 WEST MISHAWAKA ROAD ELKHART, INDIANA 46517 PHONE (219) 294-8000

THESE DRAWINGS AND SPECIFICATIONS ARE THE PROPERTY OF CROWN INTERNATIONAL, INC. AND SHALL NOT BE REPRODUCED, COPIED, OR USED AS THE BASIS FOR THE MANUFACTURE OR SALE OF APPARATUS OR DEVICES WITHOUT PERMISSION.

DRAWN KLW 11-04-97 DWG. NO.

SHEET 5 OF 5

REV

PROJ. MD360D0

125420


(A)

| E.C.N. | ZONE | REV. | DESCRIPTION | DATE | BY | APPROVALS | | | |
|---------|------|------|---------------------------------|----------|-----|-----------|-----|-----|----|
| | | | | | | CHK | CM | EE | PE |
| 99E0212 | | A | INITIAL RELEASE FOR PRODUCTION. | 05-21-99 | KLW | JAW | JAW | N/A | EB |

UNLESS OTHERWISE SPECIFIED, THE FINISHED PWA SHALL MEET:
IPC-A-610_ CLASS 2

NOTES:

1. SCHEMATIC DRAWING NUMBER 125425.
2. PRINTED WIRING BOARD PART NUMBER 125415-1.
3. ALL LEADS SHALL BE TRIMMED TO 0.093" OR LESS.
4. POSITION COMPONENTS AS SHOWN ON COMPONENT MAP.
5. THE VENT HOLE ON TOP OF THE RELAY K930 AND K931 MUST BE OPENED AFTER THE CLEANING PROCESS, BY EITHER REMOVING THE SEALING TAPE OR CUTTING OFF THE CIRCULAR TAB WITH AN "EXACTO" KNIFE OR SIMILAR CUTTING TOOL. WARNING, THIS STEP MUST BE DONE AFTER THE CLEANING PROCESS NOT BEFORE!!! WATER OR CLEANING SOLVENTS ENTERING THE RELAY VENT HOLE WILL DAMAGE THE RELAY.
6. THE CROWN PART NUMBER FOR THIS MODULE SHALL BE MARKED ON THE PRINTED CIRCUIT BOARD AND SHALL BE PERMANENT.
7. SOLDER C945 (C 6806-1) ACROSS R976 AS SHOWN ON THE COMPONENT MAP.



CAUTION

STATIC CAN DAMAGE COMPONENTS!

DO NOT HANDLE

UNLESS WRIST STRAP IS WORN

INACTIVE
For Reference Use Only

| | | | | | | | | | |
|---------------------------------|---|---------|----------|----------------------|-----|---------|--|--------------|-----|
| CROWN INTERNATIONAL INC. | | | | | | | | | |
| PRINTS | 1718 WEST MISHAWAKA ROAD ELKHART, INDIANA 46517 | | | PHONE (219) 294-0000 | | | | | |
| K | PWA CT10A CONTROL 100V | | | | | | TOL. UNLESS SPECIFIED X.XX - ± 0.020 X.XXX - ± 0.010 DRILLS - ± 0.003 | | |
| | DRAWN | KLW | 05-21-99 | APPROVED BY: | | | DO NOT SCALE PRINT | | |
| | CHECKED | JAW | 05/21/99 | ME | EJW | 5-24-99 | SUPERSEDES | | |
| | SCALE | NONE | | EE | N/A | | E.C.N. | | |
| | PROJ # | MD360D0 | | PE | EB | 5-21-99 | DWG. NO. | SHEET 1 OF 5 | REV |
| NEXT ASSEMBLY | | | | | | | 125420-2 | (A) | |

THESE DRAWINGS AND SPECIFICATIONS ARE THE PROPERTY OF CROWN INTERNATIONAL, INC. AND SHALL NOT BE REPRODUCED, COPIED, OR USED AS THE BASIS FOR THE MANUFACTURE OR SALE OF APPARATUS OR DEVICES WITHOUT PERMISSION.

PARTS LIST

| C. P. N. | DESCRIPTION | QTY | REFERENCE DESIGNATION |
|--------------|------------------------------|-----|--|
| A10124-24 | WIRE, #24 SOLID BUS | 18" | R959, Z902, Z903, Z930, Z931, Z932, Z933, Z934, Z935 |
| A10265-10021 | 10K OHM 0.25W 1% MF T/R | 10 | R930, R933, R938, R957, R963, R964, R966, R969, R972, R975 |
| A10265-10031 | 100K OHM 0.25W 1% MF T/R | 1 | R968 |
| A10265-12121 | 12.1K OHM 0.25W 1% MF T/R | 2 | R970, R971 |
| A10265-20011 | 2K OHM 0.25W 1% MF T/R | 1 | R978 |
| A10265-20021 | 20K OHM 0.25W 1% MF T/R | 2 | R931, R934 |
| A10265-60431 | 604K OHM 0.25W 1% MF T/R | 1 | R977 |
| A10266-1241 | 120K OHM 0.25W 5% CF T/R | 1 | R973 |
| A10266-1811 | 180 OHM 0.25W 5% CF25 T/R | 1 | R943 |
| A10266-2051 | 2M OHM 0.25W 5% CF T/R | 1 | R953 |
| A10266-2721 | 2.7K OHM 0.25W 5% CF T/R | 2 | R965, R967 |
| A10266-2722 | 2.7K OHM 0.50W 5% CF T/R | 2 | R939, R940 |
| A10266-3351 | 3.3M OHM 0.25W 5% CF T/R | 1 | R936 |
| A10266-4321 | 4.3K OHM 0.25W 5% CF T/R | 2 | R974, R976 |
| A10266-4712 | 470 OHM 0.50W 5% CF | 1 | R961 |
| A10266-5612 | 560 OHM 0.50W 5% CF T/R | 1 | R960 |
| C 2851-1 | RECTIFIER, 1N4004 SILICON T/ | 5 | D934, D937, D938, D939, D940 |
| C 3181-2 | DIODE, 1N4148 T/R | 2 | D930, D931 |
| C 3533-4 | DIODE, 1N966B 16V ZENER T/R | 2 | D935, D936 |
| C 3549-0 | DIODE, ZENER 10V 1N5240B T/R | 1 | D941 |
| C 3625-8 | 2N4125 30V PNP T/R | 6 | Q930, Q932, Q933, Q934, Q935, Q936 |
| C 5311-3 | 22UF 50V 20% NP VERT T/A | 1 | C935 |
| C 6804-6 | .1UF 50V AXIAL CER T/R 104 | 7 | C933, C934, C936, C937, C941, C942, C943 |
| C 6806-1 | .01UF 100V AXIAL CER T/R | 1 | C945 |
| C 6812-9 | 47PF 200V 10% NPO AXL CER | 2 | C939, C944 |
| C 7444-0 | LM393 DUAL COMPARATOR | 1 | U931 |
| C 7636-1 | MC33078P DUAL LOW NOISE OP A | 1 | U930 |
| C 7665-0 | MOC3011 OPTO TRIAC | 1 | U932 |
| C 7746-8 | 3POS SGLROW HDR .025 POST G | 1 | J905 |
| C 7873-0 | 2POS .1 CENTER MTA HEADER TI | 2 | J902, J903 |
| C 8554-5 | .22UF 250V 10% POLYESTER | 1 | C938 |
| C 8894-5 | 1UF 50V VERT 10% NP ELECT T/ | 1 | C940 |
| C 9255-8 | 4N37 PHOTODIODE OPTO ISOLR | 1 | U933 |
| C 9592-4 | .01 250VAC UL/CSA 20% FILM | 1 | C932 |
| C 9885-2 | 14PIN DUAL ROW HDR .1 X.1 CT | 1 | J901 |
| C 9930-6 | 11.8 OHM 3W 5% WW T/R | 2 | R941, R942 |
| C10325-6 | 2200.PF 250VAC 20% FILM Y2 | 2 | C929, C931 |
| C10326-4 | .1UF 250VAC 20% FILM X2 | 1 | C930 |
| C10335-5 | RELAY, 30A 24V T90 SEALED CE | 2 | K930, K931 |
| 101031-1 | FASTON, TAB .250 PC MNT | 13 | W1, W2, W3, W4, W5, W6, W7, W8, W9, W10, W11, W12, W13 |
| 101131-1 | NTC, INRUSH CURR LIMITER 4A | 1 | R958 |
| 125106-1 | MAC9D 8A 400V TRIAC | 1 | Q931 |
| 125158-1 | 6.8K OHM 3W 5% WW T/R | 1 | R944 |
| 125415-1 | PWB, CT10A CONTROL, , , | 1 | |

INACTIVE

For Reference Use Only

| | | | |
|---------------------------------|---------|------------------------|----------|
| CROWN INTERNATIONAL INC. | | | |
| 1718 WEST MISHAWAKA ROAD | | ELKHART, INDIANA 46517 | |
| PHONE (219) 294-8000 | | SHEET 2 OF 5 | |
| DRAWN | KLW | 05-21-99 | DWG. NO. |
| PROJ. | MD360D0 | 125420-2 | |
| | | | REV (A) |

THESE DRAWINGS AND SPECIFICATIONS ARE THE PROPERTY OF CROWN INTERNATIONAL, INC. AND SHALL NOT BE REPRODUCED, COPIED, OR USED AS THE BASIS FOR THE MANUFACTURE OR SALE OF APPARATUS OR DEVICES WITHOUT PERMISSION.

PARTS LIST

| REF DES | C. P. N. | DESCRIPTION | MAP LOC. |
|---------|--------------|--------------------------------|----------|
| C929 | C10325-6 | 2200.PF 250VAC 20% FILM Y2 | |
| C930 | C10326-4 | .1UF 250VAC 20% FILM X2 | |
| C931 | C10325-6 | 2200.PF 250VAC 20% FILM Y2 | |
| C932 | C 9592-4 | .01 250VAC UL/CSA 20% FILM | |
| C933 | C 6804-6 | .1UF 50V AXIAL CER T/R 104 | |
| C934 | C 6804-6 | .1UF 50V AXIAL CER T/R 104 | |
| C935 | C 5311-3 | 22UF 50V 20% NP VERT T/A | |
| C936 | C 6804-6 | .1UF 50V AXIAL CER T/R 104 | |
| C937 | C 6804-6 | .1UF 50V AXIAL CER T/R 104 | |
| C938 | C 8554-5 | .22UF 250V 10% POLYESTER | |
| C939 | C 6812-9 | 47PF 200V 10% NPO AXL CER | |
| C940 | C 8894-5 | 1UF 50V VERT 10% NP ELECT T/R | |
| C941 | C 6804-6 | .1UF 50V AXIAL CER T/R 104 | |
| C942 | C 6804-6 | .1UF 50V AXIAL CER T/R 104 | |
| C943 | C 6804-6 | .1UF 50V AXIAL CER T/R 104 | |
| C944 | C 6812-9 | 47PF 200V 10% NPO AXL CER | |
| C945 | C 6806-1 | .01UF 100V AXIAL CER T/R | |
| D930 | C 3181-2 | DIODE, 1N4148 T/R | |
| D931 | C 3181-2 | DIODE, 1N4148 T/R | |
| D934 | C 2851-1 | RECTIFIER, 1N4004 SILICON T/R | |
| D935 | C 3533-4 | DIODE, 1N966B 16V ZENER T/R | |
| D936 | C 3533-4 | DIODE, 1N966B 16V ZENER T/R | |
| D937 | C 2851-1 | RECTIFIER, 1N4004 SILICON T/R | |
| D938 | C 2851-1 | RECTIFIER, 1N4004 SILICON T/R | |
| D939 | C 2851-1 | RECTIFIER, 1N4004 SILICON T/R | |
| D940 | C 2851-1 | RECTIFIER, 1N4004 SILICON T/R | |
| D941 | C 3549-0 | DIODE, ZENER 10V 1N5240B T/R | |
| J901 | C 9885-2 | 14PIN DUAL ROW HDR .1 X.1 CTR | |
| J902 | C 7873-0 | 2POS .1 CENTER MTA HEADER TIN | |
| J903 | C 7873-0 | 2POS .1 CENTER MTA HEADER TIN | |
| J905 | C 7746-8 | 3POS SGLROW HDR .025 POST GOLD | |
| K930 | C10335-5 | RELAY, 30A 24V T90 SEALED CE | |
| K931 | C10335-5 | RELAY, 30A 24V T90 SEALED CE | |
| L930 | | --- OPEN --- | |
| Q930 | C 3625-8 | 2N4125 30V PNP T/R | |
| Q931 | 125106-1 | MAC9D 8AMP 400V TRIAC | |
| Q932 | C 3625-8 | 2N4125 30V PNP T/R | |
| Q933 | C 3625-8 | 2N4125 30V PNP T/R | |
| Q934 | C 3625-8 | 2N4125 30V PNP T/R | |
| Q935 | C 3625-8 | 2N4125 30V PNP T/R | |
| Q936 | C 3625-8 | 2N4125 30V PNP T/R | |
| R930 | A10265-10021 | 10K OHM 0.25W 1% MF T/R | |
| R931 | A10265-20021 | 20K OHM 0.25W 1% MF T/R | |
| R933 | A10265-10021 | 10K OHM 0.25W 1% MF T/R | |
| R934 | A10265-20021 | 20K OHM 0.25W 1% MF T/R | |
| R936 | A10266-3351 | 3.3M OHM 0.25W 5% CF25 T/R | |
| R938 | A10265-10021 | 10K OHM 0.25W 1% MF T/R | |
| R939 | A10266-2722 | 2.7K OHM 0.50W 5% CF T/R | |
| R940 | A10266-2722 | 2.7K OHM 0.50W 5% CF T/R | |
| R941 | C 9930-6 | 11.8 OHM 3W 5% WW T/R | |
| R942 | C 9930-6 | 11.8 OHM 3W 5% WW T/R | |

INACTIVE

For Reference Use Only

CROWN INTERNATIONAL INC.

1718 WEST MISHAWAKA ROAD ELKHART, INDIANA 46517 PHONE (219) 294-8000

THESE DRAWINGS AND SPECIFICATIONS ARE THE PROPERTY OF CROWN INTERNATIONAL, INC. AND SHALL NOT BE REPRODUCED, COPIED, OR USED AS THE BASIS FOR THE MANUFACTURE OR SALE OF APPARATUS OR DEVICES WITHOUT PERMISSION.

| | | | |
|-------|---------|----------|----------|
| DRAWN | KLW | 05-21-99 | DWG. NO. |
| PROJ. | MD360D0 | | |

SHEET 3 OF 5

125420-2

REV

(A)

PARTS LIST

| REF DES | C.P.N. | DESCRIPTION | MAP LOC. |
|---------|--------------|--------------------------------|----------|
| R943 | A10266-1811 | 180 OHM 0.25W 5% CF25 T/R | |
| R944 | 125158-1 | 6.8K OHM 3W 5% MF T/R | |
| R953 | A10266-2051 | 2M OHM 0.25W 5% CF T/R | |
| R957 | A10265-10021 | 10K OHM 0.25W 1% MF T/R | |
| R958 | 101131-1 | NTC, INRUSH CURRENT LIMITER 4A | |
| R959 | A10124-24 | WIRE, #24 SOLID BUSS | |
| R960 | A10266-5612 | 560 OHM 0.50W 5% CF T/R | |
| R961 | A10266-4712 | 470 OHM 0.50W 5% CF | |
| R963 | A10265-10021 | 10K OHM 0.25W 1% MF T/R | |
| R964 | A10265-10021 | 10K OHM 0.25W 1% MF T/R | |
| R965 | A10266-2721 | 2.7K OHM 0.25W 5% CF T/R | |
| R966 | A10265-10021 | 10K OHM 0.25W 1% MF T/R | |
| R967 | A10266-2721 | 2.7K OHM 0.25W 5% CF T/R | |
| R968 | A10265-10031 | 100K OHM 0.25W 1% MF T/R | |
| R969 | A10265-10021 | 10K OHM 0.25W 1% MF T/R | |
| R970 | A10265-12121 | 12.1K OHM 0.25W 1% CF25 T/R | |
| R971 | A10265-12121 | 12.1K OHM 0.25W 1% CF25 T/R | |
| R972 | A10265-10021 | 10K OHM 0.25W 1% MF T/R | |
| R973 | A10266-1241 | 120K OHM 0.25W 5% CF T/R | |
| R974 | A10266-4321 | 4.3K OHM 0.25W 5% CF T/R | |
| R975 | A10265-10021 | 10K OHM 0.25W 1% MF T/R | |
| R976 | A10266-4321 | 4.3K OHM 0.25W 5% CF T/R | |
| R977 | A10265-60431 | 604K OHM 0.25W 1% MF T/R | |
| R978 | A10265-20011 | 2K OHM 0.25W 1% MF T/R | |
| U930 | C 7636-1 | MC33078P DUAL LOW NOISE OP AMP | |
| U931 | C 7444-0 | LM393 DUAL COMPARATOR | |
| U932 | C 7665-0 | MOC3011 OPTO TRIAC | |
| U933 | C 9255-8 | 4N37 PHOTOXSISTOR OPTO ISOLR | |
| W1 | 101031-1 | FASTON, TAB .250 PC MNT | |
| W2 | 101031-1 | FASTON, TAB .250 PC MNT | |
| W3 | 101031-1 | FASTON, TAB .250 PC MNT | |
| W4 | 101031-1 | FASTON, TAB .250 PC MNT | |
| W5 | 101031-1 | FASTON, TAB .250 PC MNT | |
| W6 | 101031-1 | FASTON, TAB .250 PC MNT | |
| W7 | 101031-1 | FASTON, TAB .250 PC MNT | |
| W8 | 101031-1 | FASTON, TAB .250 PC MNT | |
| W9 | 101031-1 | FASTON, TAB .250 PC MNT | |
| W10 | 101031-1 | FASTON, TAB .250 PC MNT | |
| W11 | 101031-1 | FASTON, TAB .250 PC MNT | |
| W12 | 101031-1 | FASTON, TAB .250 PC MNT | |
| W13 | 101031-1 | FASTON, TAB .250 PC MNT | |
| Z902 | A10124-24 | WIRE, #24 SOLID BUSS | |
| Z903 | A10124-24 | WIRE, #24 SOLID BUSS | |
| Z930 | A10124-24 | WIRE, #24 SOLID BUSS | |
| Z931 | A10124-24 | WIRE, #24 SOLID BUSS | |
| Z932 | A10124-24 | WIRE, #24 SOLID BUSS | |
| Z933 | A10124-24 | WIRE, #24 SOLID BUSS | |
| Z934 | A10124-24 | WIRE, #24 SOLID BUSS | |
| Z935 | A10124-24 | WIRE, #24 SOLID BUSS | |
| | 125415-1 | PWB, CT10A CONTROL, , | |

INACTIVE

For Reference Use Only

CROWN INTERNATIONAL INC.

1718 WEST MISHAWAKA ROAD ELKHART, INDIANA 46517 PHONE (219) 294-8000

DRAWN K LW 05-21-99 DWG. NO.

SHEET 4 OF 5

REV

PROJ. MD360D0

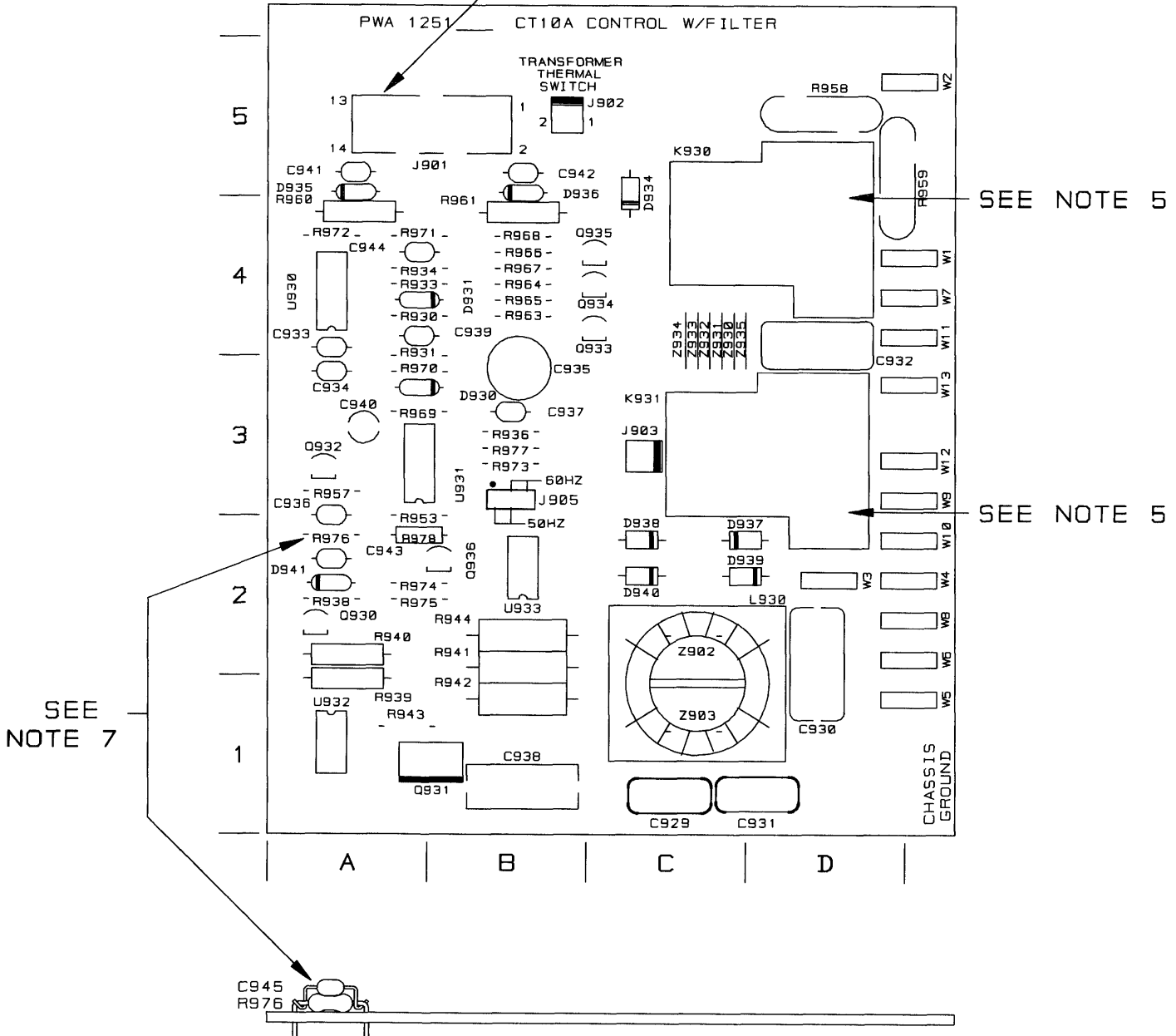
125420-2

A

THESE DRAWINGS AND SPECIFICATIONS ARE THE PROPERTY OF CROWN INTERNATIONAL, INC. AND SHALL NOT BE REPRODUCED, COPIED, OR USED AS THE BASIS FOR THE MANUFACTURE OR SALE OF APPARATUS OR DEVICES WITHOUT PERMISSION.

COMPONENT MAP (COMPONENT SIDE VIEW)

NOTE: THIS IS THE LATCHING
SIDE OF THE CONNECTOR



SEE NOTE 5

SEE NOTE 5

SEE NOTE 7

EDGE VIEW

MOST COMPONENTS OMITTED FOR CLARITY.

INACTIVE
For Reference Use Only

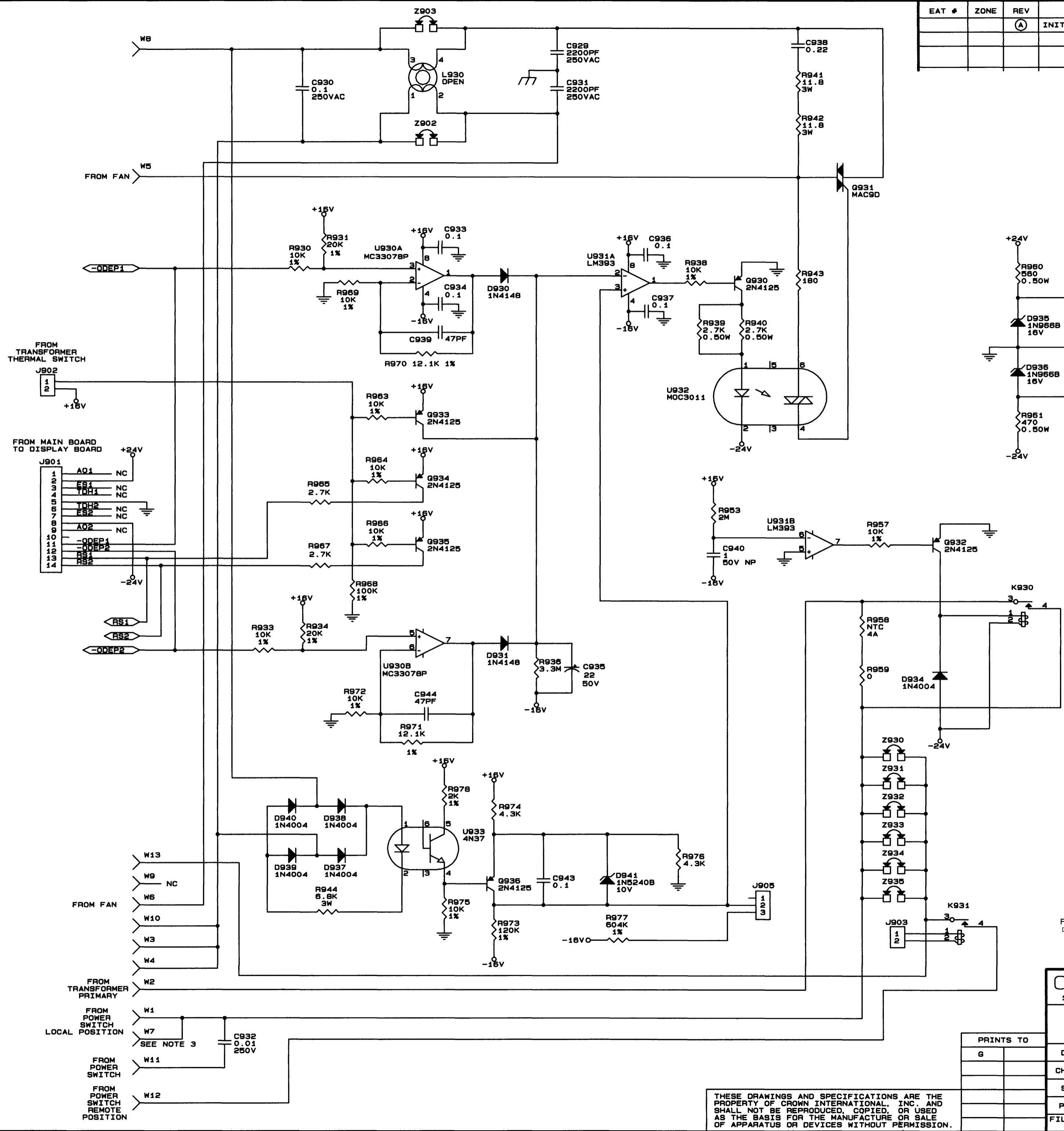
CROWN INTERNATIONAL INC.

1718 WEST MISHAWAKA ROAD ELKHART, INDIANA 46517 PHONE (219) 294-8000

THESE DRAWINGS AND SPECIFICATIONS ARE THE PROPERTY OF CROWN INTERNATIONAL, INC. AND SHALL NOT BE REPRODUCED, COPIED, OR USED AS THE BASIS FOR THE MANUFACTURE OR SALE OF APPARATUS OR DEVICES WITHOUT PERMISSION.

| | | | | | |
|-------|---------|----------|----------|--------------|-----|
| DRAWN | KLW | 05-21-99 | DWG. NO. | SHEET 5 OF 5 | REV |
| PROJ. | MD360D0 | | 125420-2 | (A) | |

| EAT # | ZONE | REV | DESCRIPTION | DATE | BY | APPROVALS | | | | | | | | |
|-------|------|-----|------------------|----------|-----|--|----|----|----|----|--|--|--|-----|
| | | (A) | INITIAL RELEASE. | 11-10-97 | KLW | <table border="1"> <tr> <th>CK</th> <th>ME</th> <th>EE</th> <th>PE</th> </tr> <tr> <td></td> <td></td> <td></td> <td>123</td> </tr> </table> | CK | ME | EE | PE | | | | 123 |
| CK | ME | EE | PE | | | | | | | | | | | |
| | | | 123 | | | | | | | | | | | |



| LAST USED | NOT USED |
|-----------|--------------------------------------|
| C944 | 900-928 |
| D941 | 900-929, 932, 933 |
| J905 | 900, 904 |
| K931 | 900-929 |
| Q936 | 900-929 |
| R978 | 932, 935, 937, 945-952, 954-956, 962 |
| U933 | 900-929 |
| W13 | |
| Z935 | 900, 901, 904-929 |

- NOTES :
- ALL RESISTORS ARE IN OHMS, 1/4W, 5% UNLESS OTHERWISE SPECIFIED.
 - ALL CAPACITORS ARE IN MICROFARADS UNLESS OTHERWISE SPECIFIED.
 - FOR ALL 120V UNITS CONNECT W7 TO W8 USING WIRE ASSEMBLY A11384-C050C.

INACTIVE
For Reference Use Only
Document Has Been Replaced
with a Newer Version

CROWN INTERNATIONAL, INC.
1718 WEST MISHAWAKA ROAD ELKHART, IN. 46517 PHONE (219) 294-8000

SCH. CONTROL CT10A 100V

| | | | | | |
|-----------|--------------|----------|----------------|--------------------|----------|
| PRINTS TO | G | | | | |
| DRAWN | KLW | 11-10-97 | APPROVED BY : | DO NOT SCALE PRINT | |
| CHECKED | KLW | 11-13-97 | ME | SUPERSEDES | |
| SCALE | NONE | | EE | E.C. | |
| PROJ # | MD36000 | | PE | 11-14-97 | DWG. NO. |
| FILENAME: | 1254251A.SCM | | NEXT ASSEMBLY: | 125425 | |

THESE DRAWINGS AND SPECIFICATIONS ARE THE PROPERTY OF CROWN INTERNATIONAL, INC. AND SHALL NOT BE REPRODUCED, COPIED, OR USED AS THE BASIS FOR THE MANUFACTURE OR SALE OF APPARATUS OR DEVICES WITHOUT PERMISSION.


**CT10A Control Module 120V 125416 Information On Following Pages
Documentation, Component Map, Schematic**

| E.C.N. | ZONE | REV. | DESCRIPTION | DATE | BY | APPROVALS | | | |
|---------|------|------|---------------------------------|----------|-----|------------|------------|------------|-----------|
| | | | | | | CHK | CM | EE | PE |
| 99E0216 | | A | INITIAL RELEASE FOR PRODUCTION. | 05-21-99 | KLW | <i>JAW</i> | <i>N/A</i> | <i>N/A</i> | <i>EB</i> |

UNLESS OTHERWISE SPECIFIED, THE FINISHED PWA SHALL MEET:
IPC-A-610_ CLASS 2

NOTES:

1. SCHEMATIC DRAWING NUMBER 125421.
2. PRINTED WIRING BOARD PART NUMBER 125415-1.
3. ALL LEADS SHALL BE TRIMMED TO 0.093" OR LESS.
4. POSITION COMPONENTS AS SHOWN ON COMPONENT MAP.
5. THE VENT HOLE ON TOP OF THE RELAY K930 AND K931 MUST BE OPENED AFTER THE CLEANING PROCESS, BY EITHER REMOVING THE SEALING TAPE OR CUTTING OFF THE CIRCULAR TAB WITH AN "EXACTO" KNIFE OR SIMILAR CUTTING TOOL. WARNING, THIS STEP MUST BE DONE AFTER THE CLEANING PROCESS NOT BEFORE!!! WATER OR CLEANING SOLVENTS ENTERING THE RELAY VENT HOLE WILL DAMAGE THE RELAY.
6. THE CROWN PART NUMBER FOR THIS MODULE SHALL BE MARKED ON THE PRINTED CIRCUIT BOARD AND SHALL BE PERMANENT.
7. SOLDER C945 (C 6806-1) ACROSS R976 AS SHOWN ON THE COMPONENT MAP.



CAUTION

STATIC CAN DAMAGE COMPONENTS!

DO NOT HANDLE

UNLESS WRIST STRAP IS WORN

INACTIVE
For Reference Use Only

| | | | | | | | | | | |
|---|---|------------|----------|---------------|------------|--------------------|--|-----------|---------|-----------------------|
| CROWN INTERNATIONAL INC. | | | | | | | | | | |
| PRINTS | 1718 WEST MISHAWAKA ROAD ELKHART, INDIANA 46517 | | | | | | PHONE (219) 294-8000 | | | |
| K | PWA CT10A CONTROL 120V | | | | | | TOL. UNLESS SPECIFIED X.XX - ± 0.020 X.XXX - ± 0.010 DRILLS - ± 0.003 | | | |
| | DRAWN | KLW | 05-21-99 | APPROVED BY: | | DO NOT SCALE PRINT | | | | |
| | CHECKED | <i>JAW</i> | 05/21/99 | ME | <i>exh</i> | 5-21-99 | SUPERSEDES | | | |
| | SCALE | NONE | | EE | <i>N/A</i> | | E.C.N. | | | |
| THESE DRAWINGS AND SPECIFICATIONS ARE THE PROPERTY OF CROWN INTERNATIONAL, INC. AND SHALL NOT BE REPRODUCED, COPIED, OR USED AS THE BASIS FOR THE MANUFACTURE OR SALE OF APPARATUS OR DEVICES WITHOUT PERMISSION. | | | | PROJ # | MD360D0 | | PE | <i>EB</i> | 5-21-99 | DWG. NO. SHEET 1 OF 5 |
| | | | | NEXT ASSEMBLY | | | | | | 125416-2 |

| PARTS LIST | | | |
|--------------|------------------------------|-----|--|
| C. P. N. | DESCRIPTION | QTY | REFERENCE DESIGNATION |
| A10124-24 | WIRE, #24 SOLID BUS | 18" | R959, Z902, Z903, Z930, Z931, Z932, Z933, Z934, Z935 |
| A10265-10021 | 10K OHM 0.25W 1% MF T/R | 10 | R930, R933, R938, R957, R963, R964, R966, R969, R972, R975 |
| A10265-10031 | 100K OHM 0.25W 1% MF T/R | 1 | R968 |
| A10265-12121 | 12.1K OHM 0.25W 1% MF T/R | 2 | R970, R971 |
| A10265-20011 | 2K OHM 0.25W 1% MF T/R | 1 | R978 |
| A10265-20021 | 20K OHM 0.25W 1% MF T/R | 2 | R931, R934 |
| A10265-60431 | 604K OHM 0.25W 1% MF T/R | 1 | R977 |
| A10266-1241 | 120K OHM 0.25W 5% CF T/R | 1 | R973 |
| A10266-1811 | 180 OHM 0.25W 5% CF25 T/R | 1 | R943 |
| A10266-2051 | 2M OHM 0.25W 5% CF T/R | 1 | R953 |
| A10266-2721 | 2.7K OHM 0.25W 5% CF T/R | 2 | R965, R967 |
| A10266-2722 | 2.7K OHM 0.50W 5% CF T/R | 2 | R939, R940 |
| A10266-3351 | 3.3M OHM 0.25W 5% CF T/R | 1 | R936 |
| A10266-4321 | 4.3K OHM 0.25W 5% CF T/R | 2 | R974, R976 |
| A10266-4712 | 470 OHM 0.50W 5% CF | 1 | R961 |
| A10266-5612 | 560 OHM 0.50W 5% CF T/R | 1 | R960 |
| C 2851-1 | RECTIFIER, 1N4004 SILICON T/ | 5 | D934, D937, D938, D939, D940 |
| C 3181-2 | DIODE, 1N4148 T/R | 2 | D930, D931 |
| C 3533-4 | DIODE, 1N966B 16V ZENER T/R | 2 | D935, D936 |
| C 3549-0 | DIODE, ZENER 10V 1N5240B T/R | 1 | D941 |
| C 3625-8 | 2N4125 30V PNP T/R | 6 | Q930, Q932, Q933, Q934, Q935, Q936 |
| C 5311-3 | 22UF 50V 20% NP VERT T/A | 1 | C935 |
| C 6804-6 | .1UF 50V AXIAL CER T/R 104 | 7 | C933, C934, C936, C937, C941, C942, C943 |
| C 6806-1 | .01UF 100V AXIAL CER T/R | 1 | C945 |
| C 6812-9 | 47PF 200V 10% NPO AXL CER | 2 | C939, C944 |
| C 7444-0 | LM393 DUAL COMPARATOR | 1 | U931 |
| C 7636-1 | MC33078P DUAL LOW NOISE OP A | 1 | U930 |
| C 7665-0 | MOC3011 OPTO TRIAC | 1 | U932 |
| C 7746-8 | 3POS SGLROW HDR .025 POST G | 1 | J905 |
| C 7873-0 | 2POS .1 CENTER MTA HEADER TI | 2 | J902, J903 |
| C 8554-5 | .22UF 250V 10% POLYESTER | 1 | C938 |
| C 8894-5 | 1UF 50V VERT 10% NP ELECT T/ | 1 | C940 |
| C 9255-8 | 4N37 PHOTOXSISTOR OPTO ISOLR | 1 | U933 |
| C 9592-4 | .01 250VAC UL/CSA 20% FILM | 1 | C932 |
| C 9885-2 | 14PIN DUAL ROW HDR .1 X.1 CT | 1 | J901 |
| C 9930-6 | 11.8 OHM 3W 5% WW T/R | 2 | R941, R942 |
| C10325-6 | 2200.PF 250VAC 20% FILM Y2 | 2 | C929, C931 |
| C10326-4 | .1UF 250VAC 20% FILM X2 | 1 | C930 |
| C10335-5 | RELAY, 30A 24V T90 SEALED CE | 2 | K930, K931 |
| 100445-1 | NTC, INRUSH CURR LIMITER 3A | 1 | R958 |
| 101031-1 | FASTON, TAB .250 PC MNT | 13 | W1, W2, W3, W4, W5, W6, W7, W8, W9, W10, W11, W12, W13 |
| 125106-1 | MAC9D 8A 400V TRIAC | 1 | Q931 |
| 125158-1 | 6.8K OHM 3W 5% WW T/R | 1 | R944 |
| 125415-1 | PWB, CT10A CONTROL, . . . | 1 | |

INACTIVE

For Reference Use Only

THESE DRAWINGS AND SPECIFICATIONS ARE THE PROPERTY OF CROWN INTERNATIONAL, INC. AND SHALL NOT BE REPRODUCED, COPIED, OR USED AS THE BASIS FOR THE MANUFACTURE OR SALE OF APPARATUS OR DEVICES WITHOUT PERMISSION.

CROWN INTERNATIONAL INC.

1718 WEST MISHAWAKA ROAD ELKHART, INDIANA 46517 PHONE (219) 294-8000

| | | | | | |
|-------|---------|----------|----------|--------------|-----|
| DRAWN | KLW | 05-21-99 | DWG. NO. | SHEET 2 OF 5 | REV |
| PROJ. | MD360D0 | | 125416-2 | | (A) |

PARTS LIST

| REF DES | C.P.N. | DESCRIPTION | MAP LOC. |
|---------|--------------|--------------------------------|----------|
| C929 | C10325-6 | 2200.PF 250VAC 20% FILM Y2 | |
| C930 | C10326-4 | .1UF 250VAC 20% FILM X2 | |
| C931 | C10325-6 | 2200.PF 250VAC 20% FILM Y2 | |
| C932 | C 9592-4 | .01 250VAC UL/CSA 20% FILM | |
| C933 | C 6804-6 | .1UF 50V AXIAL CER T/R 104 | |
| C934 | C 6804-6 | .1UF 50V AXIAL CER T/R 104 | |
| C935 | C 5311-3 | 22UF 50V 20% NP VERT T/A | |
| C936 | C 6804-6 | .1UF 50V AXIAL CER T/R 104 | |
| C937 | C 6804-6 | .1UF 50V AXIAL CER T/R 104 | |
| C938 | C 8554-5 | .22UF 250V 10% POLYESTER | |
| C939 | C 6812-9 | 47PF 200V 10% NPO AXL CER | |
| C940 | C 8894-5 | 1UF 50V VERT 10% NP ELECT T/R | |
| C941 | C 6804-6 | .1UF 50V AXIAL CER T/R 104 | |
| C942 | C 6804-6 | .1UF 50V AXIAL CER T/R 104 | |
| C943 | C 6804-6 | .1UF 50V AXIAL CER T/R 104 | |
| C944 | C 6812-9 | 47PF 200V 10% NPO AXL CER | |
| C945 | C 6806-1 | .01UF 100V AXIAL CER T/R | |
| D930 | C 3181-2 | DIODE, 1N4148 T/R | |
| D931 | C 3181-2 | DIODE, 1N4148 T/R | |
| D934 | C 2851-1 | RECTIFIER, 1N4004 SILICON T/R | |
| D935 | C 3533-4 | DIODE, 1N966B 16V ZENER T/R | |
| D936 | C 3533-4 | DIODE, 1N966B 16V ZENER T/R | |
| D937 | C 2851-1 | RECTIFIER, 1N4004 SILICON T/R | |
| D938 | C 2851-1 | RECTIFIER, 1N4004 SILICON T/R | |
| D939 | C 2851-1 | RECTIFIER, 1N4004 SILICON T/R | |
| D940 | C 2851-1 | RECTIFIER, 1N4004 SILICON T/R | |
| D941 | C 3549-0 | DIODE, ZENER 10V 1N5240B T/R | |
| J901 | C 9885-2 | 14PIN DUAL ROW HDR .1 X.1 CTR | |
| J902 | C 7873-0 | 2POS .1 CENTER MTA HEADER TIN | |
| J903 | C 7873-0 | 2POS .1 CENTER MTA HEADER TIN | |
| J905 | C 7746-8 | 3POS SGLROW HDR .025 POST GOLD | |
| K930 | C10335-5 | RELAY, 30A 24V T90 SEALED CE | |
| K931 | C10335-5 | RELAY, 30A 24V T90 SEALED CE | |
| L930 | | --- OPEN --- | |
| Q930 | C 3625-8 | 2N4125 30V PNP T/R | |
| Q931 | 125106-1 | MAC9D 8AMP 400V TRIAC | |
| Q932 | C 3625-8 | 2N4125 30V PNP T/R | |
| Q933 | C 3625-8 | 2N4125 30V PNP T/R | |
| Q934 | C 3625-8 | 2N4125 30V PNP T/R | |
| Q935 | C 3625-8 | 2N4125 30V PNP T/R | |
| Q936 | C 3625-8 | 2N4125 30V PNP T/R | |
| R930 | A10265-10021 | 10K OHM 0.25W 1% MF T/R | |
| R931 | A10265-20021 | 20K OHM 0.25W 1% MF T/R | |
| R933 | A10265-10021 | 10K OHM 0.25W 1% MF T/R | |
| R934 | A10265-20021 | 20K OHM 0.25W 1% MF T/R | |
| R936 | A10266-3351 | 3.3M OHM 0.25W 5% CF25 T/R | |
| R938 | A10265-10021 | 10K OHM 0.25W 1% MF T/R | |
| R939 | A10266-2722 | 2.7K OHM 0.50W 5% CF T/R | |
| R940 | A10266-2722 | 2.7K OHM 0.50W 5% CF T/R | |
| R941 | C 9930-6 | 11.8 OHM 3W 5% WW T/R | |
| R942 | C 9930-6 | 11.8 OHM 3W 5% WW T/R | |

INACTIVE

For Reference Use Only

THESE DRAWINGS AND SPECIFICATIONS ARE THE PROPERTY OF CROWN INTERNATIONAL, INC. AND SHALL NOT BE REPRODUCED, COPIED, OR USED AS THE BASIS FOR THE MANUFACTURE OR SALE OF APPARATUS OR DEVICES WITHOUT PERMISSION.

CROWN INTERNATIONAL INC.

1718 WEST MISHAWAKA ROAD ELKHART, INDIANA 46517 PHONE (219) 294-8000

DRAWN

KLW

05-21-99

DWG. NO.

SHEET 3 OF 5

REV

PROJ.

MD360D0

125416-2

(A)

PARTS LIST

| REF DES | C. P. N. | DESCRIPTION | MAP LOC. |
|---------|--------------|--------------------------------|----------|
| R943 | A10266-1811 | 180 OHM 0.25W 5% CF25 T/R | |
| R944 | 125158-1 | 6.8K OHM 3W 5% MF T/R | |
| R953 | A10266-2051 | 2M OHM 0.25W 5% CF T/R | |
| R957 | A10265-10021 | 10K OHM 0.25W 1% MF T/R | |
| R958 | 100445-1 | NTC, INRUSH CURRENT LIMITER 3A | |
| R959 | A10124-24 | WIRE, #24 SOLID BUSS | |
| R960 | A10266-5612 | 560 OHM 0.50W 5% CF T/R | |
| R961 | A10266-4712 | 470 OHM 0.50W 5% CF | |
| R963 | A10265-10021 | 10K OHM 0.25W 1% MF T/R | |
| R964 | A10265-10021 | 10K OHM 0.25W 1% MF T/R | |
| R965 | A10266-2721 | 2.7K OHM 0.25W 5% CF T/R | |
| R966 | A10265-10021 | 10K OHM 0.25W 1% MF T/R | |
| R967 | A10266-2721 | 2.7K OHM 0.25W 5% CF T/R | |
| R968 | A10265-10031 | 100K OHM 0.25W 1% MF T/R | |
| R969 | A10265-10021 | 10K OHM 0.25W 1% MF T/R | |
| R970 | A10265-12121 | 12.1K OHM 0.25W 1% CF25 T/R | |
| R971 | A10265-12121 | 12.1K OHM 0.25W 1% CF25 T/R | |
| R972 | A10265-10021 | 10K OHM 0.25W 1% MF T/R | |
| R973 | A10266-1241 | 120K OHM 0.25W 5% CF T/R | |
| R974 | A10266-4321 | 4.3K OHM 0.25W 5% CF T/R | |
| R975 | A10265-10021 | 10K OHM 0.25W 1% MF T/R | |
| R976 | A10266-4321 | 4.3K OHM 0.25W 5% CF T/R | |
| R977 | A10265-60431 | 604K OHM 0.25W 1% MF T/R | |
| R978 | A10265-20011 | 2K OHM 0.25W 1% MF T/R | |
| U930 | C 7636-1 | MC33078P DUAL LOW NOISE OP AMP | |
| U931 | C 7444-0 | LM393 DUAL COMPARATOR | |
| U932 | C 7665-0 | MOC3011 OPTO TRIAC | |
| U933 | C 9255-8 | 4N37 PHOTOXSISTOR OPTO ISOLR | |
| W1 | 101031-1 | FASTON, TAB .250 PC MNT | |
| W2 | 101031-1 | FASTON, TAB .250 PC MNT | |
| W3 | 101031-1 | FASTON, TAB .250 PC MNT | |
| W4 | 101031-1 | FASTON, TAB .250 PC MNT | |
| W5 | 101031-1 | FASTON, TAB .250 PC MNT | |
| W6 | 101031-1 | FASTON, TAB .250 PC MNT | |
| W7 | 101031-1 | FASTON, TAB .250 PC MNT | |
| W8 | 101031-1 | FASTON, TAB .250 PC MNT | |
| W9 | 101031-1 | FASTON, TAB .250 PC MNT | |
| W10 | 101031-1 | FASTON, TAB .250 PC MNT | |
| W11 | 101031-1 | FASTON, TAB .250 PC MNT | |
| W12 | 101031-1 | FASTON, TAB .250 PC MNT | |
| W13 | 101031-1 | FASTON, TAB .250 PC MNT | |
| Z902 | A10124-24 | WIRE, #24 SOLID BUSS | |
| Z903 | A10124-24 | WIRE, #24 SOLID BUSS | |
| Z930 | A10124-24 | WIRE, #24 SOLID BUSS | |
| Z931 | A10124-24 | WIRE, #24 SOLID BUSS | |
| Z932 | A10124-24 | WIRE, #24 SOLID BUSS | |
| Z933 | A10124-24 | WIRE, #24 SOLID BUSS | |
| Z934 | A10124-24 | WIRE, #24 SOLID BUSS | |
| Z935 | A10124-24 | WIRE, #24 SOLID BUSS | |
| | 125415-1 | PWB, CT10A CONTROL, . | |

INACTIVE

For Reference Use Only

CROWN INTERNATIONAL INC.

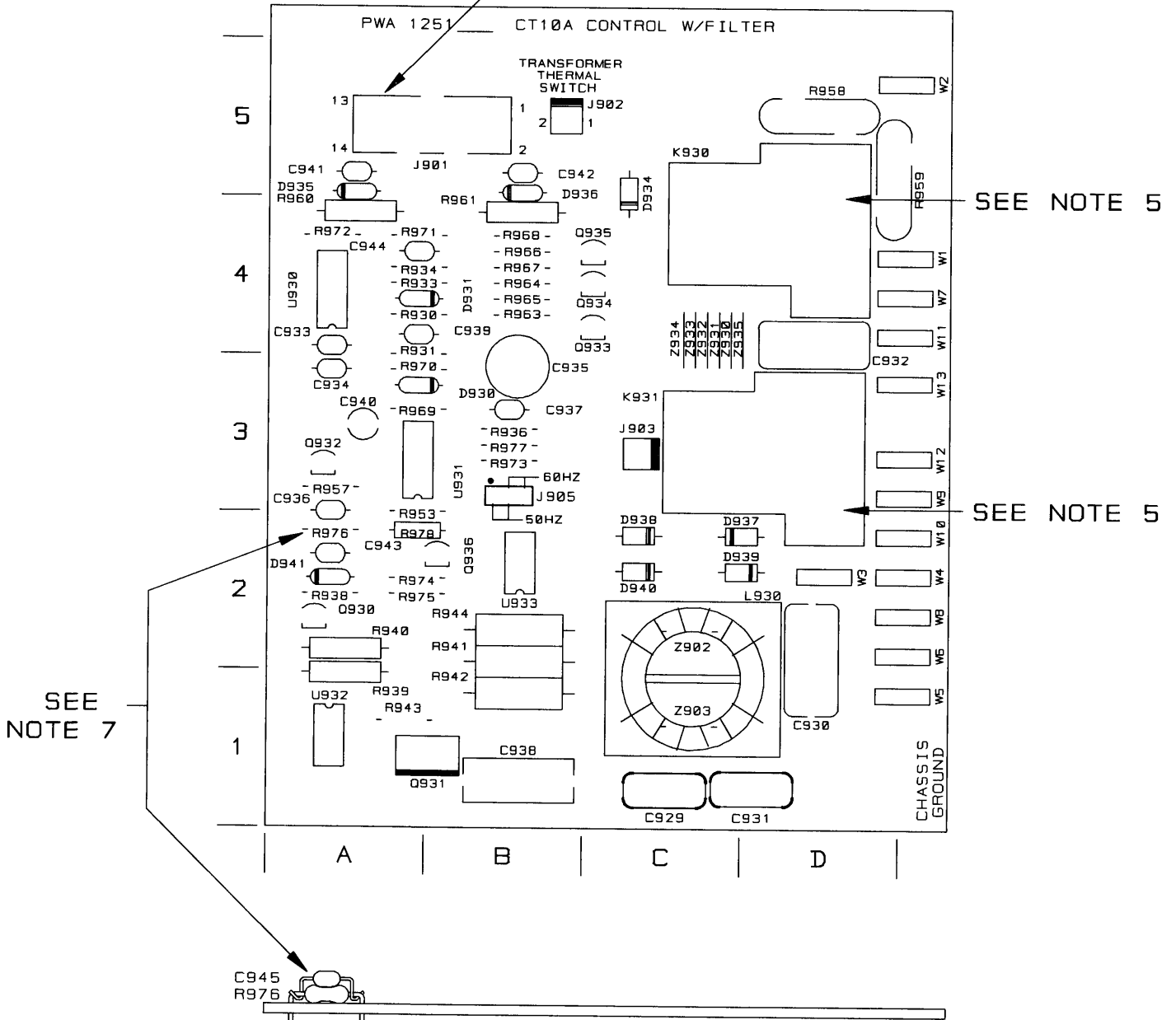
1718 WEST MISHAWAKA ROAD ELKHART, INDIANA 46517 PHONE (219) 294-8000

THESE DRAWINGS AND SPECIFICATIONS ARE THE PROPERTY OF CROWN INTERNATIONAL, INC. AND SHALL NOT BE REPRODUCED, COPIED, OR USED AS THE BASIS FOR THE MANUFACTURE OR SALE OF APPARATUS OR DEVICES WITHOUT PERMISSION.

| | | | | | |
|-------|---------|----------|----------|--------------|-----|
| DRAWN | KLW | 05-21-99 | DWG. NO. | SHEET 4 OF 5 | REV |
| PROJ. | MD360D0 | | 125416-2 | | (A) |

COMPONENT MAP (COMPONENT SIDE VIEW)

NOTE: THIS IS THE LATCHING
SIDE OF THE CONNECTOR



EDGE VIEW

MOST COMPONENTS OMITTED FOR CLARITY.

INACTIVE
For Reference Use Only

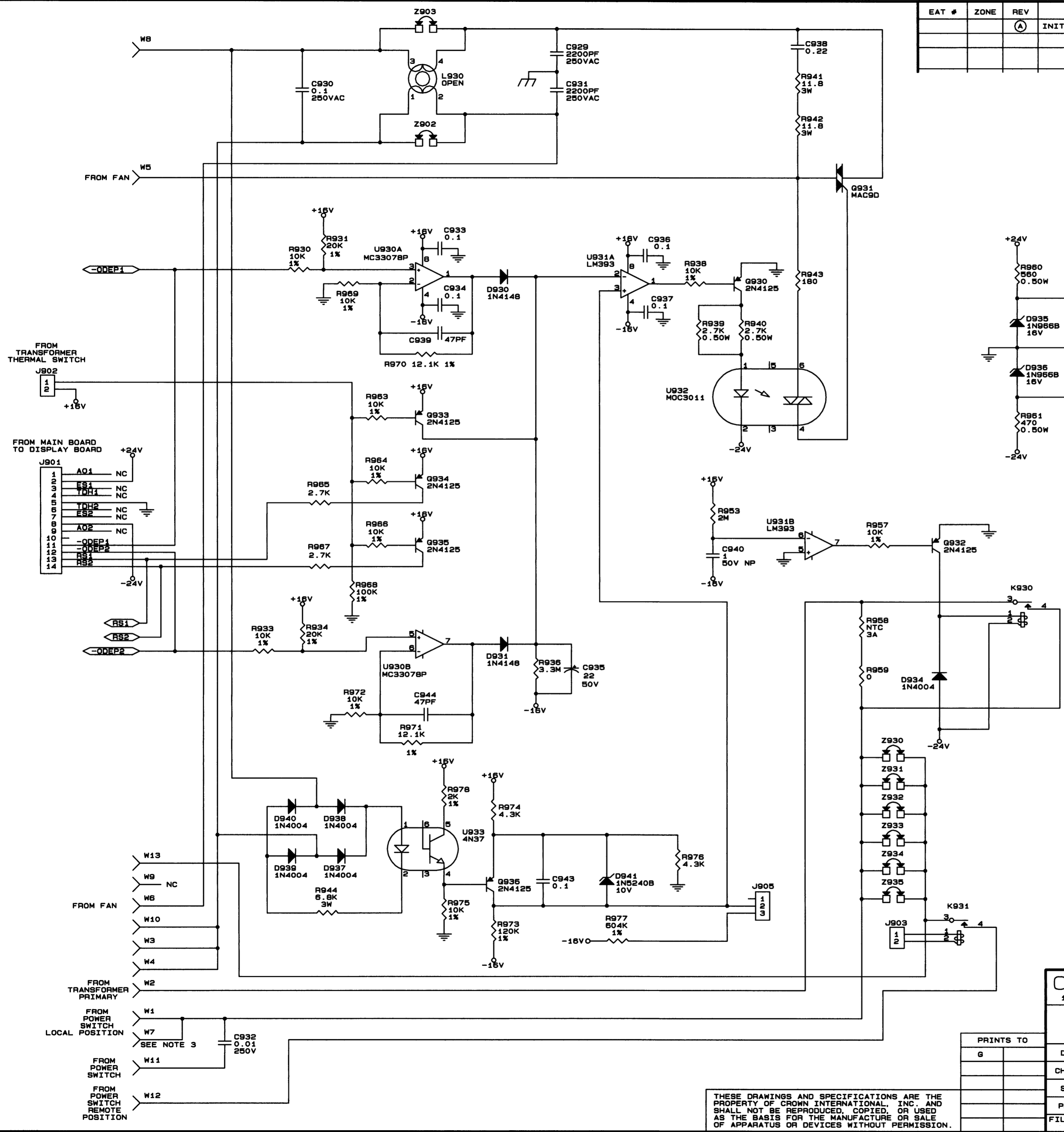
CROWN INTERNATIONAL INC.

1718 WEST MISHAWAKA ROAD ELKHART, INDIANA 46517 PHONE (219) 294-8000

THESE DRAWINGS AND SPECIFICATIONS ARE THE PROPERTY OF CROWN INTERNATIONAL, INC. AND SHALL NOT BE REPRODUCED, COPIED, OR USED AS THE BASIS FOR THE MANUFACTURE OR SALE OF APPARATUS OR DEVICES WITHOUT PERMISSION.

| | | | | | |
|-------|---------|----------|----------|--------------|-----|
| DRAWN | KLW | 05-21-99 | DWG. NO. | SHEET 5 OF 5 | REV |
| PROJ. | MD360D0 | | 125416-2 | | (A) |

| EAT # | ZONE | REV | DESCRIPTION | DATE | BY | APPROVALS |
|-------|------|-----|------------------|----------|-----|-------------|
| | | (A) | INITIAL RELEASE. | 11-10-97 | KLW | CK ME EE PE |



| LAST USED | NOT USED |
|-----------|--------------------------------------|
| C944 | 900-928 |
| D941 | 900-929, 932, 933 |
| J905 | 900, 904 |
| K931 | 900-929 |
| Q936 | 900-929 |
| R978 | 932, 935, 937, 945-952, 954-956, 962 |
| U933 | 900-929 |
| W13 | |
| Z935 | 900, 901, 904-929 |

- NOTES :
1. ALL RESISTORS ARE IN OHMS, 1/4W, 5% UNLESS OTHERWISE SPECIFIED.
 2. ALL CAPACITORS ARE IN MICROFARADS UNLESS OTHERWISE SPECIFIED.
 3. FOR ALL 120V UNITS CONNECT W7 TO W8 USING WIRE ASSEMBLY A11384-C050C.

INACTIVE
For Reference Use Only
Document Has Been Replaced
with a Newer Version

CROWN INTERNATIONAL, INC.
1718 WEST MISHAWAKA ROAD ELKHART, IN. 46517 PHONE (219) 294-8000

SCH. CONTROL CT10A 120V

| PRINTS TO | | DRAWN | KLW | 11-10-97 | APPROVED BY : | DO NOT SCALE PRINT |
|-----------|--|-----------|-------------|----------|----------------|--------------------|
| G | | CHECKED | KLW | 11-13-97 | ME | SUPERSEDES |
| | | SCALE | NONE | | EE | E.C. |
| | | PROJ # | MD36000 | | PE | EWB 11-14-97 |
| | | FILENAME: | 125421A.SCM | | NEXT ASSEMBLY: | |
| | | | | | | DWG. NO. 125421 |
| | | | | | | REV (A) |

THESE DRAWINGS AND SPECIFICATIONS ARE THE PROPERTY OF CROWN INTERNATIONAL, INC. AND SHALL NOT BE REPRODUCED, COPIED, OR USED AS THE BASIS FOR THE MANUFACTURE OR SALE OF APPARATUS OR DEVICES WITHOUT PERMISSION.

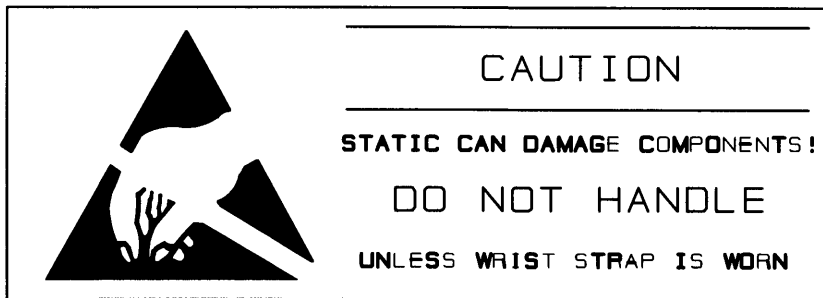
**CT10A Control Module 220V/240V 102831 Information On Following Pages
Documentation, Component Map, Schematic**

| E.C.N. | ZONE | REV. | DESCRIPTION | DATE | BY | APPROVALS | | | |
|--------|------|------|-----------------|----------|-----|-----------|----|----|----|
| | | | | | | CHK | ME | EE | PE |
| | | A | INITIAL RELEASE | 06/03/97 | LCD | KW | | | KS |

UNLESS OTHERWISE SPECIFIED, THE FINISHED PWA SHALL MEET:
IPC-A-610_ CLASS 2

NOTES:

1. SCHEMATIC DRAWING NUMBER 102832.
2. PWB PART NUMBER 102824-1.
3. PWA PART NUMBER 102831-1.
4. ALL LEADS SHALL BE TRIMMED TO 0.093" OR LESS.
5. POSITION COMPONENTS AS SHOWN ON COMPONENT MAP.
6. THE VENT HOLE ON TOP OF THE RELAY K930 AND K931 MUST BE OPENED AFTER THE CLEANING PROCESS, BY EITHER REMOVING THE SEALING TAPE OR CUTTING OFF THE CIRCULAR TAB WITH AN "EXACTO" KNIFE OR SIMILAR CUTTING TOOL. WARNING, THIS STEP MUST BE DONE AFTER THE CLEANING PROCESS NOT BEFORE!!! WATER OR CLEANING SOLVENTS ENTERING THE RELAY VENT HOLE WILL DAMAGE THE RELAY.
7. THE CROWN PART NUMBER FOR THIS MODULE SHALL BE MARKED ON THE PRINTED CIRCUIT BOARD AND SHALL BE PERMANENT.



| | | | | | | | | | |
|---------------------------------|---|---------|----------|----------------------|-----------|-----------------------|--|-----|--|
| CROWN INTERNATIONAL INC. | | | | | | | | | |
| PRINTS | 1718 WEST MISHAWAKA ROAD ELKHART, INDIANA 46517 | | | PHONE (219) 294-8000 | | | | | |
| K | PWA CT10A CONTROL 220/240V | | | | | | TOL. UNLESS SPECIFIED X.XX - ± 0.020 X.XXX - ± 0.010 DRILLS - ± 0.003 | | |
| | DRAWN | LCD | 06/03/97 | APPROVED BY: | | DO NOT SCALE PRINT | | | |
| | CHECKED | KW | 06-04-97 | ME | | SUPERSEDES | | | |
| | SCALE | NONE | | EE | | E.C.N. | | | |
| | PROJ # | MD360D0 | | PE | KS 6-4-97 | DWG. NO. SHEET 1 OF 5 | | REV | |
| | NEXT ASSEMBLY | | | | | 102831 | | (A) | |

INACTIVE
For Reference Use Only

THESE DRAWINGS AND SPECIFICATIONS ARE THE PROPERTY OF CROWN INTERNATIONAL, INC. AND SHALL NOT BE REPRODUCED, COPIED, OR USED AS THE BASIS FOR THE MANUFACTURE OR SALE OF APPARATUS OR DEVICES WITHOUT PERMISSION.

| PARTS LIST | | | |
|--------------|------------------------------|-----|--|
| C.P.N. | DESCRIPTION | QTY | REFERENCE DESIGNATION |
| 102824-1 | PWB, CT10A CONTROL, , , | 1 | 1 |
| 101031-1 | FASTON, TAB .250 PC MNT | 13 | W1, W10, W2, W3, W4, W5, W6, W7, W8, W9, W11, W12, W13 |
| 100445-1 | NTC, INRUSH CURR LIMITER 3A | 2 | R958, R959 |
| A10124-24 | WIRE, #24 SOLID BUS | 14" | R937, Z930, Z931, Z932, Z933, Z934, Z935 |
| A10265-10021 | 10. KOHM .25W 1 MF T/R | 10 | R938, R945, R947, R948, R957, R963, R964, R965, R966, R967 |
| A10265-10031 | 100. KOHM .25W 1 MF T/R | 2 | R949, R968 |
| A10265-24921 | 24.9 KOHM .25W 1% MF T/R | 1 | R944 |
| A10265-27411 | 2.74KOHM .25W 1% MF T/R | 1 | R946 |
| A10266-1061 | 10. MOHM .25W 5% CF T/R | 1 | R936 |
| A10266-1231 | 12.KOHM .25W 5% CF T/R | 2 | R930, R933 |
| A10266-1811 | 180. OHM .25W 5% CF25 T/R | 1 | R943 |
| A10266-1831 | 18. KOHM .25W 5% CF T/R | 2 | R931, R934 |
| A10266-2051 | 2 MOHM .25W 5 CF T/R | 1 | R953 |
| A10266-2441 | 240. KOHM .25W 5% CF T/R | 3 | R932, R935, R952 |
| A10266-2722 | 2.7 KOHM .5W 5% CF T/R | 2 | R939, R940 |
| A10266-2731 | 27. KOHM .25W 5 CF T/R | 1 | R951 |
| A10266-4712 | 470, 0.50W, 5%, CF | 1 | R961 |
| A10266-5131 | 51. KOHM .25W 5 CF25 T/R | 1 | R950 |
| A10266-5612 | 560. OHM .5W 5% CF T/R | 1 | R960 |
| C 2851-1 | RECTIFIER, 1N4004 SILICON T/ | 1 | D934 |
| C 3181-2 | DIODE, 1N4148 T/R | 2 | D930, D931 |
| C 3533-4 | DIODE, 1N966B 16V ZENER T/R | 2 | D935, D936 |
| C 3625-8 | 2N4125 30V PNP T/R | 5 | Q930, Q932, Q933, Q934, Q935, |
| C 5311-3 | 22UF 50V 20% NP VERT T/A | 1 | C935 |
| C 6802-0 | .47UF 50V AXIAL CER T/R 474 | 1 | C939 |
| C 6804-6 | .1UF 50V AXIAL CER T/R 104 | 6 | C933, C934, C936, C937, C941, C942 |
| C 7444-0 | LM393 DUAL COMPARATOR | 1 | U931 |
| C 7558-7 | MC33079P QUAD LOW NOISE OP A | 1 | U930 |
| C 7662-7 | MAC218A6 8AMP 400V TRIAC | 1 | Q931 |
| C 7664-3 | MOC3031 ZERO OPTO TRIAC | 1 | U932 |
| C 7873-0 | 2POS .1 CENTER MTA HEADER TI | 2 | J902, J903 |
| C 8369-8 | 1N747A 3.6V 5% ZENER .5W | 2 | D932, D933 |
| C 8554-5 | .22UF 250V 10% POLYESTER | 1 | C938 |
| C 8894-5 | 1UF 50V VERT 10% NP ELECT T/ | 1 | C940 |
| C 9592-4 | .01 250VAC UL/CSA 20% FILM | 1 | C932 |
| C 9885-2 | 14PIN DUAL ROW HDR .1 X.1 CT | 1 | J901 |
| C 9930-6 | 11.8 OHM 3W 5% WW T/R | 2 | R941, R942 |
| C10335-5 | RELAY, 30A 24V T90 SEALED CE | 2 | K930, K931 |
| | | | |
| | | | |
| | | | |
| | | | |
| | | | |
| | | | |
| | | | |
| | | | |
| | | | |

INACTIVE

For Reference Use Only

THESE DRAWINGS AND SPECIFICATIONS ARE THE PROPERTY OF CROWN INTERNATIONAL, INC. AND SHALL NOT BE REPRODUCED, COPIED, OR USED AS THE BASIS FOR THE MANUFACTURE OR SALE OF APPARATUS OR DEVICES WITHOUT PERMISSION.

| | | | |
|---------------------------------|---------|------------------------|----------------------|
| CROWN INTERNATIONAL INC. | | | |
| 1718 WEST MISHAWAKA ROAD | | ELKHART, INDIANA 46517 | PHONE (219) 294-8000 |
| DRAWN | LCD | 06/03/97 | DWG. NO. |
| PROJ. | MD360D0 | 102831 | |
| | | | SHEET 2 OF 5 |
| | | | REV (A) |

PARTS LIST

| REF DES | C. P. N. | DESCRIPTION | MAP LOC. |
|---------|--------------|-------------------------------|----------|
| 1 | 102824-1 | PWB, CT10A CONTROL, , | |
| C932 | C 9592-4 | .01 250VAC UL/CSA 20% FILM | D 3 |
| C933 | C 6804-6 | .1UF 50V AXIAL CER T/R 104 | B 3 |
| C934 | C 6804-6 | .1UF 50V AXIAL CER T/R 104 | A 3 |
| C935 | C 5311-3 | 22UF 50V 20% NP VERT T/A | B 2 |
| C936 | C 6804-6 | .1UF 50V AXIAL CER T/R 104 | A 2 |
| C937 | C 6804-6 | .1UF 50V AXIAL CER T/R 104 | B 2 |
| C938 | C 8554-5 | .22UF 250V 10% POLYESTER | C 1 |
| C939 | C 6802-0 | .47UF 50V AXIAL CER T/R 474 | B 3 |
| C940 | C 8894-5 | 1UF 50V VERT 10% NP ELECT T/R | A 2 |
| C941 | C 6804-6 | .1UF 50V AXIAL CER T/R 104 | A 5 |
| C942 | C 6804-6 | .1UF 50V AXIAL CER T/R 104 | B 5 |
| D930 | C 3181-2 | DIODE, 1N4148 T/R | B 3 |
| D931 | C 3181-2 | DIODE, 1N4148 T/R | B 4 |
| D932 | C 8369-8 | 1N747A 3.6V 5% ZENER .5W | A 4 |
| D933 | C 8369-8 | 1N747A 3.6V 5% ZENER .5W | A 4 |
| D934 | C 2851-1 | RECTIFIER, 1N4004 SILICON T/R | C 5 |
| D935 | C 3533-4 | DIODE, 1N966B 16V ZENER T/R | A 5 |
| D936 | C 3533-4 | DIODE, 1N966B 16V ZENER T/R | B 5 |
| J901 | C 9885-2 | 14PIN DUAL ROW HDR .1 X.1 CTR | B 5 |
| J902 | C 7873-0 | 2POS .1 CENTER MTA HEADER TIN | B 5 |
| J903 | C 7873-0 | 2POS .1 CENTER MTA HEADER TIN | C 2 |
| K930 | C10335-5 | RELAY, 30A 24V T90 SEALED CE | C 4 |
| K931 | C10335-5 | RELAY, 30A 24V T90 SEALED CE | C 2 |
| Q930 | C 3625-8 | 2N4125 30V PNP T/R | A 1 |
| Q931 | C 7662-7 | MAC218A6 8AMP 400V TRIAC | B 1 |
| Q932 | C 3625-8 | 2N4125 30V PNP T/R | A 2 |
| Q933 | C 3625-8 | 2N4125 30V PNP T/R | B 4 |
| Q934 | C 3625-8 | 2N4125 30V PNP T/R | B 4 |
| Q935 | C 3625-8 | 2N4125 30V PNP T/R | B 4 |
| R930 | A10266-1231 | 12.KOHM .25W 5% CF T/R | B 3 |
| R931 | A10266-1831 | 18. KOHM .25W 5% CF T/R | B 3 |
| R932 | A10266-2441 | 240. KOHM .25W 5% CF T/R | B 3 |
| R933 | A10266-1231 | 12.KOHM .25W 5% CF T/R | B 3 |
| R934 | A10266-1831 | 18. KOHM .25W 5% CF T/R | B 3 |
| R935 | A10266-2441 | 240. KOHM .25W 5% CF T/R | B 4 |
| R936 | A10266-1061 | 10. MOHM .25W 5 CF25 T/R | B 2 |
| R937 | A10124-24 | WIRE, #24 SOLID BUS | B 2 |
| R938 | A10265-10021 | 10. KOHM .25W 1 MF T/R | A 2 |
| R939 | A10266-2722 | 2.7 KOHM .5W 5% CF T/R | A 1 |
| R940 | A10266-2722 | 2.7 KOHM .5W 5% CF T/R | A 1 |
| R941 | C 9930-6 | 11.8 OHM 3W 5% WW T/R | C 1 |
| R942 | C 9930-6 | 11.8 OHM 3W 5% WW T/R | C 1 |
| R943 | A10266-1811 | 180. OHM .25W 5% CF25 T/R | B 1 |
| R944 | A10265-24921 | 24.9 KOHM .25W 1% MF T/R | A 4 |
| | | | |
| | | | |
| | | | |
| | | | |
| | | | |

INACTIVE

For Reference Use Only

THESE DRAWINGS AND SPECIFICATIONS ARE THE PROPERTY OF CROWN INTERNATIONAL, INC. AND SHALL NOT BE REPRODUCED, COPIED, OR USED AS THE BASIS FOR THE MANUFACTURE OR SALE OF APPARATUS OR DEVICES WITHOUT PERMISSION.

CROWN INTERNATIONAL INC.

1718 WEST MISHAWAKA ROAD ELKHART, INDIANA 46517 PHONE (219) 294-8000

| | | | | | |
|-------|---------|----------|----------|--------------|-----|
| DRAWN | LCD | 06/03/97 | DWG. NO. | SHEET 3 OF 5 | REV |
| PROJ. | MD360D0 | | 102831 | | (A) |

PARTS LIST

| REF DES | C. P. N. | DESCRIPTION | MAP LOC. |
|---------|--------------|--------------------------------|----------|
| R945 | A10265-10021 | 10. KOHM .25W 1 MF T/R | A 4 |
| R946 | A10265-27411 | 2.74KOHM .25W 1% MF T/R | A 4 |
| R947 | A10265-10021 | 10. KOHM .25W 1 MF T/R | A 4 |
| R948 | A10265-10021 | 10. KOHM .25W 1 MF T/R | A 3 |
| R949 | A10265-10031 | 100. KOHM .25W 1 MF T/R | A 3 |
| R950 | A10266-5131 | 51. KOHM .25W 5 CF25 T/R | B 3 |
| R951 | A10266-2731 | 27. KOHM .25W 5 CF T/R | B 2 |
| R952 | A10266-2441 | 240. KOHM .25W 5% CF T/R | B 2 |
| R953 | A10266-2051 | 2 MOHM .25W 5 CF T/R | A 2 |
| R957 | A10265-10021 | 10. KOHM .25W 1 MF T/R | A 2 |
| R958 | 100445-1 | NTC, INRUSH CURRENT LIMITER 3A | D 5 |
| R959 | 100445-1 | NTC, INRUSH CURRENT LIMITER 3A | D 4 |
| R960 | A10266-5612 | 560. OHM .5W 5% CF T/R | A 4 |
| R961 | A10266-4712 | 470, 0.50W, 5%, CF | B 4 |
| R962 | | DO NOT INSTALL | B 2 |
| R963 | A10265-10021 | 10. KOHM .25W 1 MF T/R | B 4 |
| R964 | A10265-10021 | 10. KOHM .25W 1 MF T/R | B 4 |
| R965 | A10265-10021 | 10. KOHM .25W 1 MF T/R | B 4 |
| R966 | A10265-10021 | 10. KOHM .25W 1 MF T/R | B 4 |
| R967 | A10265-10021 | 10. KOHM .25W 1 MF T/R | B 4 |
| R968 | A10265-10031 | 100. KOHM .25W 1 MF T/R | B 4 |
| U930 | C 7558-7 | MC33079P QUAD LOW NOISE OP AMP | B 3 |
| U931 | C 7444-0 | LM393 DUAL COMPARATOR | B 2 |
| U932 | C 7664-3 | MOC3031 ZERO OPTO TRIAC | B 1 |
| W1 | 101031-1 | FASTON, TAB .250 PC MNT | D 4 |
| W2 | 101031-1 | FASTON, TAB .250 PC MNT | D 5 |
| W3 | 101031-1 | FASTON, TAB .250 PC MNT | D 2 |
| W4 | 101031-1 | FASTON, TAB .250 PC MNT | D 2 |
| W5 | 101031-1 | FASTON, TAB .250 PC MNT | D 1 |
| W6 | 101031-1 | FASTON, TAB .250 PC MNT | D 1 |
| W7 | 101031-1 | FASTON, TAB .250 PC MNT | D 3 |
| W8 | 101031-1 | FASTON, TAB .250 PC MNT | D 1 |
| W9 | 101031-1 | FASTON, TAB .250 PC MNT | D 2 |
| W10 | 101031-1 | FASTON, TAB .250 PC MNT | D 1 |
| W11 | 101031-1 | FASTON, TAB .250 PC MNT | D 3 |
| W12 | 101031-1 | FASTON, TAB .250 PC MNT | D 2 |
| W13 | 101031-1 | FASTON, TAB .250 PC MNT | D 3 |
| Z930 | A10124-24 | WIRE, #24 SOLID BUSS | D 3 |
| Z931 | A10124-24 | WIRE, #24 SOLID BUSS | D 3 |
| Z932 | A10124-24 | WIRE, #24 SOLID BUSS | D 3 |
| Z933 | A10124-24 | WIRE, #24 SOLID BUSS | D 3 |
| Z934 | A10124-24 | WIRE, #24 SOLID BUSS | D 3 |
| Z935 | A10124-24 | WIRE, #24 SOLID BUSS | D 3 |
| | | | |
| | | | |
| | | | |
| | | | |
| | | | |
| | | | |
| | | | |
| | | | |
| | | | |

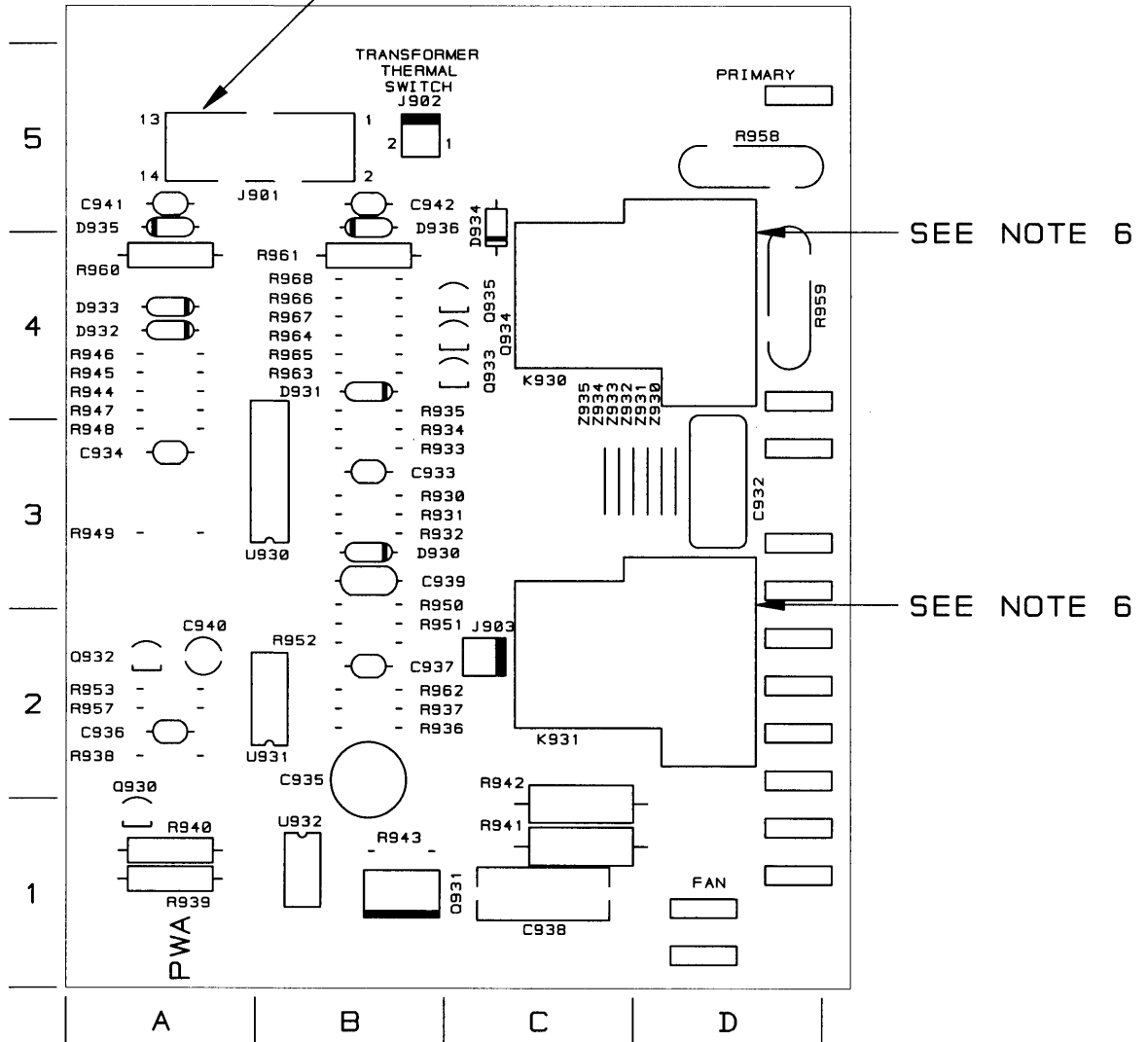
INACTIVE
For Reference Use Only

THESE DRAWINGS AND SPECIFICATIONS ARE THE PROPERTY OF CROWN INTERNATIONAL, INC. AND SHALL NOT BE REPRODUCED, COPIED, OR USED AS THE BASIS FOR THE MANUFACTURE OR SALE OF APPARATUS OR DEVICES WITHOUT PERMISSION.

| | | | |
|---------------------------------|---------|------------------------|----------------------|
| CROWN INTERNATIONAL INC. | | | |
| 1718 WEST MISHAWAKA ROAD | | ELKHART, INDIANA 46517 | PHONE (219) 294-8000 |
| DRAWN | LCD | 06/03/97 | DWG. NO. |
| PROJ. | MD360D0 | | 102831 |
| | | | SHEET 4 OF 5 |
| | | | REV (A) |

COMPONENT MAP (COMPONENT SIDE VIEW)

NOTE: THIS IS THE LATCHING SIDE OF THE CONNECTOR



INACTIVE
For Reference Use Only

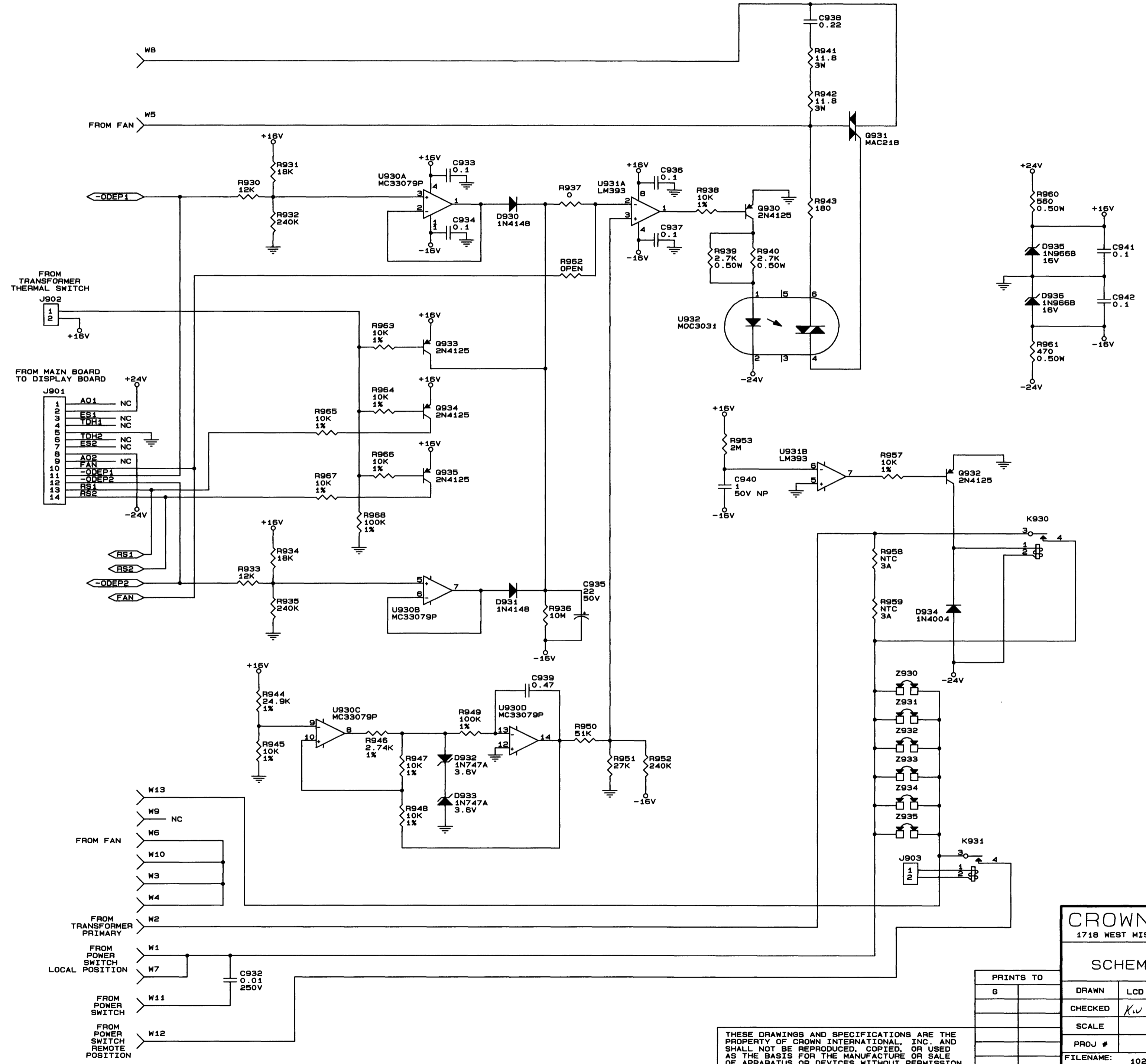
CROWN INTERNATIONAL INC.

1718 WEST MISHAWAKA ROAD ELKHART, INDIANA 46517 PHONE (219) 294-8000

THESE DRAWINGS AND SPECIFICATIONS ARE THE PROPERTY OF CROWN INTERNATIONAL, INC. AND SHALL NOT BE REPRODUCED, COPIED, OR USED AS THE BASIS FOR THE MANUFACTURE OR SALE OF APPARATUS OR DEVICES WITHOUT PERMISSION.

| | | | | | |
|-------|---------|----------|----------|--------------|-----|
| DRAWN | LCD | 06/03/97 | DWG. NO. | SHEET 5 OF 5 | REV |
| PROJ. | MD360D0 | | 102831 | | (A) |

| EAT # | ZONE | REV | DESCRIPTION | DATE | BY | APPROVALS |
|-------|------|-----|------------------|----------|-----|---------------|
| | | (A) | INITIAL RELEASE. | 06/04/97 | LCD | K.W. ME EE PE |



| LAST USED | NOT USED |
|-----------|----------|
| C942 | 930, 931 |
| D936 | |
| J903 | |
| K931 | |
| Q935 | |
| R968 | 954-956 |
| U932 | |
| W10 | |
| Z935 | |

- NOTES :
1. ALL RESISTORS ARE IN OHMS, 1/4W, 5% UNLESS OTHERWISE SPECIFIED.
 2. ALL CAPACITORS ARE IN MICROFARADS UNLESS OTHERWISE SPECIFIED.

INACTIVE
For Reference Use Only

CROWN INTERNATIONAL, INC.
1718 WEST MISHAWAKA ROAD ELKHART, IN. 46517 PHONE (219) 294-8000

SCHEMATIC; CT10A CONTROL 220/240V

| PRINTS TO | | DRAWN | | CHECKED | | SCALE | | PROJ # | | FILENAME: | |
|-----------|--|----------------|----------|--------------------|----------|----------|--|---------|--------------|-----------|--|
| G | | LCD | 06/04/97 | K.W. | 06-04-97 | NONE | | MD36000 | 1028321A.SCM | | |
| | | APPROVED BY : | | DO NOT SCALE PRINT | | | | | | | |
| | | ME | | SUPERSEDES | | E.C. | | | | | |
| | | EE | | | | | | | | REV (A) | |
| | | PE | | 6-4-97 | | DWG. NO. | | 102832 | | | |
| | | NEXT ASSEMBLY: | | | | | | | | | |

THESE DRAWINGS AND SPECIFICATIONS ARE THE PROPERTY OF CROWN INTERNATIONAL, INC. AND SHALL NOT BE REPRODUCED, COPIED, OR USED AS THE BASIS FOR THE MANUFACTURE OR SALE OF APPARATUS OR DEVICES WITHOUT PERMISSION.

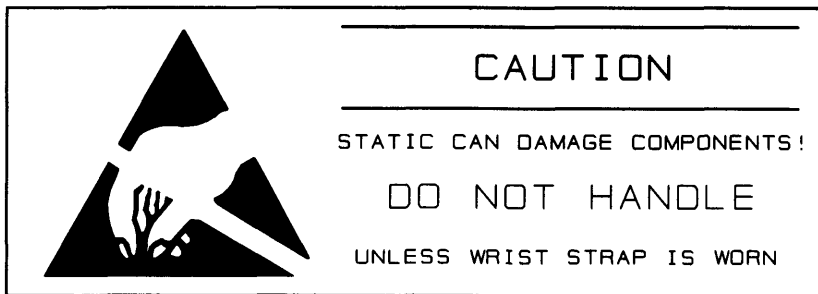
**CT10A Control Module 220V/240V 125419 Information On Following Pages
Documentation, Component Map, Schematic**

| E. C. N. | ZONE | REV. | DESCRIPTION | DATE | BY | APPROVALS | | | |
|----------|------|------|-----------------|----------|-----|-----------|----|----|----|
| | | | | | | CHK | ME | EE | PE |
| | | A | INITIAL RELEASE | 11-04-97 | KLW | AM | | | EB |

UNLESS OTHERWISE SPECIFIED, THE FINISHED PWA SHALL MEET:
IPC-A-610_ CLASS 2

NOTES:

1. SCHEMATIC DRAWING NUMBER 125424.
2. PRINTED WIRING BOARD PART NUMBER 125415-1.
3. PRINTED WIRING ASSEMBLY PART NUMBER 125419-1.
4. ALL LEADS SHALL BE TRIMMED TO 0.093" OR LESS.
5. POSITION COMPONENTS AS SHOWN ON COMPONENT MAP.
6. THE VENT HOLE ON TOP OF THE RELAY K930 AND K931 MUST BE OPENED AFTER THE CLEANING PROCESS, BY EITHER REMOVING THE SEALING TAPE OR CUTTING OFF THE CIRCULAR TAB WITH AN "EXACTO" KNIFE OR SIMILAR CUTTING TOOL. WARNING, THIS STEP MUST BE DONE AFTER THE CLEANING PROCESS NOT BEFORE!!! WATER OR CLEANING SOLVENTS ENTERING THE RELAY VENT HOLE WILL DAMAGE THE RELAY.
7. THE CROWN PART NUMBER FOR THIS MODULE SHALL BE MARKED ON THE PRINTED CIRCUIT BOARD AND SHALL BE PERMANENT.



| | | | | | | | | | |
|---------------------------------|---|---------|----------|----------------------|----|--------------------|--|--|-----|
| CROWN INTERNATIONAL INC. | | | | | | | | | |
| PRINTS | 1718 WEST MISHAWAKA ROAD ELKHART, INDIANA 46517 | | | PHONE (219) 294-8000 | | | | | |
| K | PWA CT10A CONTROL 220/240V | | | | | | TOL. UNLESS SPECIFIED X.XX - ± 0.020 X.XXX - ± 0.010 DRILLS - ± 0.003 | | |
| | DRAWN | KLW | 11-04-97 | APPROVED BY: | | DO NOT SCALE PRINT | | | |
| | CHECKED | AM | 11-11-97 | ME | | SUPERSEDES | | | |
| | SCALE | NONE | | EE | | E. C. N. | | | |
| | PROJ # | MD360D0 | | PE | EB | 11-11-97 | DWG. NO. SHEET 1 OF 5 | | REV |
| NEXT ASSEMBLY | | | | | | | 125419 | | (A) |

INACTIVE
For Reference Use Only

THESE DRAWINGS AND SPECIFICATIONS ARE THE PROPERTY OF CROWN INTERNATIONAL, INC. AND SHALL NOT BE REPRODUCED, COPIED, OR USED AS THE BASIS FOR THE MANUFACTURE OR SALE OF APPARATUS OR DEVICES WITHOUT PERMISSION.

PARTS LIST

| C. P. N. | DESCRIPTION | QTY | REFERENCE DESIGNATION |
|--------------|------------------------------|-----|--|
| A10124-24 | WIRE, #24 SOLID BUS | 16" | Z902, Z903, Z930, Z931, Z932, Z933, Z934, Z935 |
| A10265-10021 | 10K OHM 0.25W 1% MF T/R | 10 | R930, R933, R938, R957, R963, R964, R966, R969, R972, R975 |
| A10265-10031 | 100K OHM 0.25W 1% MF T/R | 1 | R968 |
| A10265-12121 | 12.1K OHM 0.25W 1% MF T/R | 2 | R970, R971 |
| A10265-20011 | 2K OHM 0.25W 1% MF T/R | 1 | R978 |
| A10265-20021 | 20K OHM 0.25W 1% MF T/R | 2 | R931, R934 |
| A10265-60431 | 604K OHM 0.25W 1% MF T/R | 1 | R977 |
| A10266-1241 | 120K OHM 0.25W 5% CF T/R | 1 | R973 |
| A10266-1811 | 180 OHM 0.25W 5% CF25 T/R | 1 | R943 |
| A10266-2051 | 2M OHM 0.25W 5% CF T/R | 1 | R953 |
| A10266-2721 | 2.7K OHM 0.25W 5% CF T/R | 2 | R965, R967 |
| A10266-2722 | 2.7K OHM 0.50W 5% CF T/R | 2 | R939, R940 |
| A10266-3351 | 3.3M OHM 0.25W 5% CF T/R | 1 | R936 |
| A10266-4321 | 4.3K OHM 0.25W 5% CF T/R | 2 | R974, R976 |
| A10266-4712 | 470 OHM 0.50W 5% CF | 1 | R961 |
| A10266-5612 | 560 OHM 0.50W 5% CF T/R | 1 | R960 |
| C 2851-1 | RECTIFIER, 1N4004 SILICON T/ | 5 | D934, D937, D938, D939, D940 |
| C 3181-2 | DIODE, 1N4148 T/R | 2 | D930, D931 |
| C 3533-4 | DIODE, 1N966B 16V ZENER T/R | 2 | D935, D936 |
| C 3549-0 | DIODE, ZENER 10V 1N5240B T/R | 1 | D941 |
| C 3625-8 | 2N4125 30V PNP T/R | 6 | Q930, Q932, Q933, Q934, Q935, Q936 |
| C 5311-3 | 22UF 50V 20% NP VERT T/A | 1 | C935 |
| C 6804-6 | .1UF 50V AXIAL CER T/R 104 | 7 | C933, C934, C936, C937, C941, C942, C943 |
| C 6812-9 | 47PF 200V 10% NPO AXL CER | 2 | C939, C944 |
| C 7444-0 | LM393 DUAL COMPARATOR | 1 | U931 |
| C 7636-1 | MC33078P DUAL LOW NOISE OP A | 1 | U930 |
| C 7665-0 | MOC3011 OPTO TRIAC | 1 | U932 |
| C 7746-8 | 3POS SGLROW HDR .025 POST G | 1 | J905 |
| C 7873-0 | 2POS .1 CENTER MTA HEADER TI | 2 | J902, J903 |
| C 8554-5 | .22UF 250V 10% POLYESTER | 1 | C938 |
| C 8894-5 | 1UF 50V VERT 10% NP ELECT T/ | 1 | C940 |
| C 9255-8 | 4N37 PHOTOXSISTOR OPTO ISOLR | 1 | U933 |
| C 9592-4 | .01 250VAC UL/CSA 20% FILM | 1 | C932 |
| C 9885-2 | 14PIN DUAL ROW HDR .1 X.1 CT | 1 | J901 |
| C 9930-6 | 11.8 OHM 3W 5% WW T/R | 2 | R941, R942 |
| C10325-6 | 2200.PF 250VAC 20% FILM Y2 | 2 | C929, C931 |
| C10326-4 | .1UF 250VAC 20% FILM X2 | 1 | C930 |
| C10335-5 | RELAY, 30A 24V T90 SEALED CE | 2 | K930, K931 |
| 100445-1 | NTC, INRUSH CURR LIMITER 3A | 2 | R958, R959 |
| 101031-1 | FASTON, TAB .250 PC MNT | 13 | W1, W2, W3, W4, W5, W6, W7, W8, W9, W10, W11, W12, W13 |
| 125106-1 | MAC9D 8A 400V TRIAC | 1 | Q931 |
| 125158-1 | 6.8K OHM 3W 5% WW T/R | 1 | R944 |
| 125415-1 | PWB, CT10A CONTRQL, , , | 1 | |

INACTIVE

For Reference Use Only

CROWN INTERNATIONAL INC.

1718 WEST MISHAWAKA ROAD ELKHART, INDIANA 46517 PHONE (219) 294-8000

THESE DRAWINGS AND SPECIFICATIONS ARE THE PROPERTY OF CROWN INTERNATIONAL, INC. AND SHALL NOT BE REPRODUCED, COPIED, OR USED AS THE BASIS FOR THE MANUFACTURE OR SALE OF APPARATUS OR DEVICES WITHOUT PERMISSION.

| | | | | | |
|-------|---------|----------|----------|--------------|-----|
| DRAWN | KLW | 11-04-97 | DWG. NO. | SHEET 2 OF 5 | REV |
| PROJ. | MD360D0 | | 125419 | | (A) |

PARTS LIST

| REF DES | C.P.N. | DESCRIPTION | MAP LOC. |
|---------|--------------|--------------------------------|----------|
| C929 | C10325-6 | 2200.PF 250VAC 20% FILM Y2 | |
| C930 | C10326-4 | .1UF 250VAC 20% FILM X2 | |
| C931 | C10325-6 | 2200.PF 250VAC 20% FILM Y2 | |
| C932 | C 9592-4 | .01 250VAC UL/CSA 20% FILM | |
| C933 | C 6804-6 | .1UF 50V AXIAL CER T/R 104 | |
| C934 | C 6804-6 | .1UF 50V AXIAL CER T/R 104 | |
| C935 | C 5311-3 | 22UF 50V 20% NP VERT T/A | |
| C936 | C 6804-6 | .1UF 50V AXIAL CER T/R 104 | |
| C937 | C 6804-6 | .1UF 50V AXIAL CER T/R 104 | |
| C938 | C 8554-5 | .22UF 250V 10% POLYESTER | |
| C939 | C 6812-9 | 47PF 200V 10% NPO AXL CER | |
| C940 | C 8894-5 | 1UF 50V VERT 10% NP ELECT T/R | |
| C941 | C 6804-6 | .1UF 50V AXIAL CER T/R 104 | |
| C942 | C 6804-6 | .1UF 50V AXIAL CER T/R 104 | |
| C943 | C 6804-6 | .1UF 50V AXIAL CER T/R 104 | |
| C944 | C 6812-9 | 47PF 200V 10% NPO AXL CER | |
| D930 | C 3181-2 | DIODE, 1N4148 T/R | |
| D931 | C 3181-2 | DIODE, 1N4148 T/R | |
| D934 | C 2851-1 | RECTIFIER, 1N4004 SILICON T/R | |
| D935 | C 3533-4 | DIODE, 1N966B 16V ZENER T/R | |
| D936 | C 3533-4 | DIODE, 1N966B 16V ZENER T/R | |
| D937 | C 2851-1 | RECTIFIER, 1N4004 SILICON T/R | |
| D938 | C 2851-1 | RECTIFIER, 1N4004 SILICON T/R | |
| D939 | C 2851-1 | RECTIFIER, 1N4004 SILICON T/R | |
| D940 | C 2851-1 | RECTIFIER, 1N4004 SILICON T/R | |
| D941 | C 3549-0 | DIODE, ZENER 10V 1N5240B T/R | |
| J901 | C 9885-2 | 14PIN DUAL ROW HDR .1 X.1 CTR | |
| J902 | C 7873-0 | 2POS .1 CENTER MTA HEADER TIN | |
| J903 | C 7873-0 | 2POS .1 CENTER MTA HEADER TIN | |
| J905 | C 7746-8 | 3POS SGLROW HDR .025 POST GOLD | |
| K930 | C10335-5 | RELAY, 30A 24V T90 SEALED CE | |
| K931 | C10335-5 | RELAY, 30A 24V T90 SEALED CE | |
| L930 | | --- OPEN --- | |
| Q930 | C 3625-8 | 2N4125 30V PNP T/R | |
| Q931 | 125106-1 | MAC9D 8AMP 400V TRIAC | |
| Q932 | C 3625-8 | 2N4125 30V PNP T/R | |
| Q933 | C 3625-8 | 2N4125 30V PNP T/R | |
| Q934 | C 3625-8 | 2N4125 30V PNP T/R | |
| Q935 | C 3625-8 | 2N4125 30V PNP T/R | |
| Q936 | C 3625-8 | 2N4125 30V PNP T/R | |
| R930 | A10265-10021 | 10K OHM 0.25W 1% MF T/R | |
| R931 | A10265-20021 | 20K OHM 0.25W 1% MF T/R | |
| R933 | A10265-10021 | 10K OHM 0.25W 1% MF T/R | |
| R934 | A10265-20021 | 20K OHM 0.25W 1% MF T/R | |
| R936 | A10266-3351 | 3.3M OHM 0.25W 5% CF25 T/R | |
| R938 | A10265-10021 | 10K OHM 0.25W 1% MF T/R | |
| R939 | A10266-2722 | 2.7K OHM 0.50W 5% CF T/R | |
| R940 | A10266-2722 | 2.7K OHM 0.50W 5% CF T/R | |
| R941 | C 9930-6 | 11.8 OHM 3W 5% WW T/R | |
| R942 | C 9930-6 | 11.8 OHM 3W 5% WW T/R | |

INACTIVE

For Reference Use Only

CROWN INTERNATIONAL INC.

1718 WEST MISHAWAKA ROAD ELKHART, INDIANA 46517 PHONE (219) 294-8000

THESE DRAWINGS AND SPECIFICATIONS ARE THE PROPERTY OF CROWN INTERNATIONAL, INC. AND SHALL NOT BE REPRODUCED, COPIED, OR USED AS THE BASIS FOR THE MANUFACTURE OR SALE OF APPARATUS OR DEVICES WITHOUT PERMISSION.

| | | | |
|-------|---------|----------|----------|
| DRAWN | KLW | 11-04-97 | DWG. NO. |
| PROJ. | MD360D0 | | 125419 |

SHEET 3 OF 5

REV

A

PARTS LIST

| REF DES | C. P. N. | DESCRIPTION | MAP LOC. |
|---------|--------------|--------------------------------|----------|
| R943 | A10266-1811 | 180 OHM 0.25W 5% CF25 T/R | |
| R944 | 125158-1 | 6.8K OHM 3W 5% MF T/R | |
| R953 | A10266-2051 | 2M OHM 0.25W 5% CF T/R | |
| R957 | A10265-10021 | 10K OHM 0.25W 1% MF T/R | |
| R958 | 100445-1 | NTC, INRUSH CURRENT LIMITER 3A | |
| R959 | 100445-1 | NTC, INRUSH CURRENT LIMITER 3A | |
| R960 | A10266-5612 | 560 OHM 0.50W 5% CF T/R | |
| R961 | A10266-4712 | 470 OHM 0.50W 5% CF | |
| R963 | A10265-10021 | 10K OHM 0.25W 1% MF T/R | |
| R964 | A10265-10021 | 10K OHM 0.25W 1% MF T/R | |
| R965 | A10266-2721 | 2.7K OHM 0.25W 5% CF T/R | |
| R966 | A10265-10021 | 10K OHM 0.25W 1% MF T/R | |
| R967 | A10266-2721 | 2.7K OHM 0.25W 5% CF T/R | |
| R968 | A10265-10031 | 100K OHM 0.25W 1% MF T/R | |
| R969 | A10265-10021 | 10K OHM 0.25W 1% MF T/R | |
| R970 | A10265-12121 | 12.1K OHM 0.25W 1% CF25 T/R | |
| R971 | A10265-12121 | 12.1K OHM 0.25W 1% CF25 T/R | |
| R972 | A10265-10021 | 10K OHM 0.25W 1% MF T/R | |
| R973 | A10266-1241 | 120K OHM 0.25W 5% CF T/R | |
| R974 | A10266-4321 | 4.3K OHM 0.25W 5% CF T/R | |
| R975 | A10265-10021 | 10K OHM 0.25W 1% MF T/R | |
| R976 | A10266-4321 | 4.3K OHM 0.25W 5% CF T/R | |
| R977 | A10265-60431 | 604K OHM 0.25W 1% MF T/R | |
| R978 | A10265-20011 | 2K OHM 0.25W 1% MF T/R | |
| U930 | C 7636-1 | MC33078P DUAL LOW NOISE OP AMP | |
| U931 | C 7444-0 | LM393 DUAL COMPARATOR | |
| U932 | C 7665-0 | MOC3011 OPTO TRIAC | |
| U933 | C 9255-8 | 4N37 PHOTOXSISTOR OPTO ISOLR | |
| W1 | 101031-1 | FASTON, TAB .250 PC MNT | |
| W2 | 101031-1 | FASTON, TAB .250 PC MNT | |
| W3 | 101031-1 | FASTON, TAB .250 PC MNT | |
| W4 | 101031-1 | FASTON, TAB .250 PC MNT | |
| W5 | 101031-1 | FASTON, TAB .250 PC MNT | |
| W6 | 101031-1 | FASTON, TAB .250 PC MNT | |
| W7 | 101031-1 | FASTON, TAB .250 PC MNT | |
| W8 | 101031-1 | FASTON, TAB .250 PC MNT | |
| W9 | 101031-1 | FASTON, TAB .250 PC MNT | |
| W10 | 101031-1 | FASTON, TAB .250 PC MNT | |
| W11 | 101031-1 | FASTON, TAB .250 PC MNT | |
| W12 | 101031-1 | FASTON, TAB .250 PC MNT | |
| W13 | 101031-1 | FASTON, TAB .250 PC MNT | |
| Z902 | A10124-24 | WIRE, #24 SOLID BUSS | |
| Z903 | A10124-24 | WIRE, #24 SOLID BUSS | |
| Z930 | A10124-24 | WIRE, #24 SOLID BUSS | |
| Z931 | A10124-24 | WIRE, #24 SOLID BUSS | |
| Z932 | A10124-24 | WIRE, #24 SOLID BUSS | |
| Z933 | A10124-24 | WIRE, #24 SOLID BUSS | |
| Z934 | A10124-24 | WIRE, #24 SOLID BUSS | |
| Z935 | A10124-24 | WIRE, #24 SOLID BUSS | |
| | 125415-1 | PWB, CT10A CONTROL, , | |

INACTIVE

For Reference Use Only

CROWN INTERNATIONAL INC.

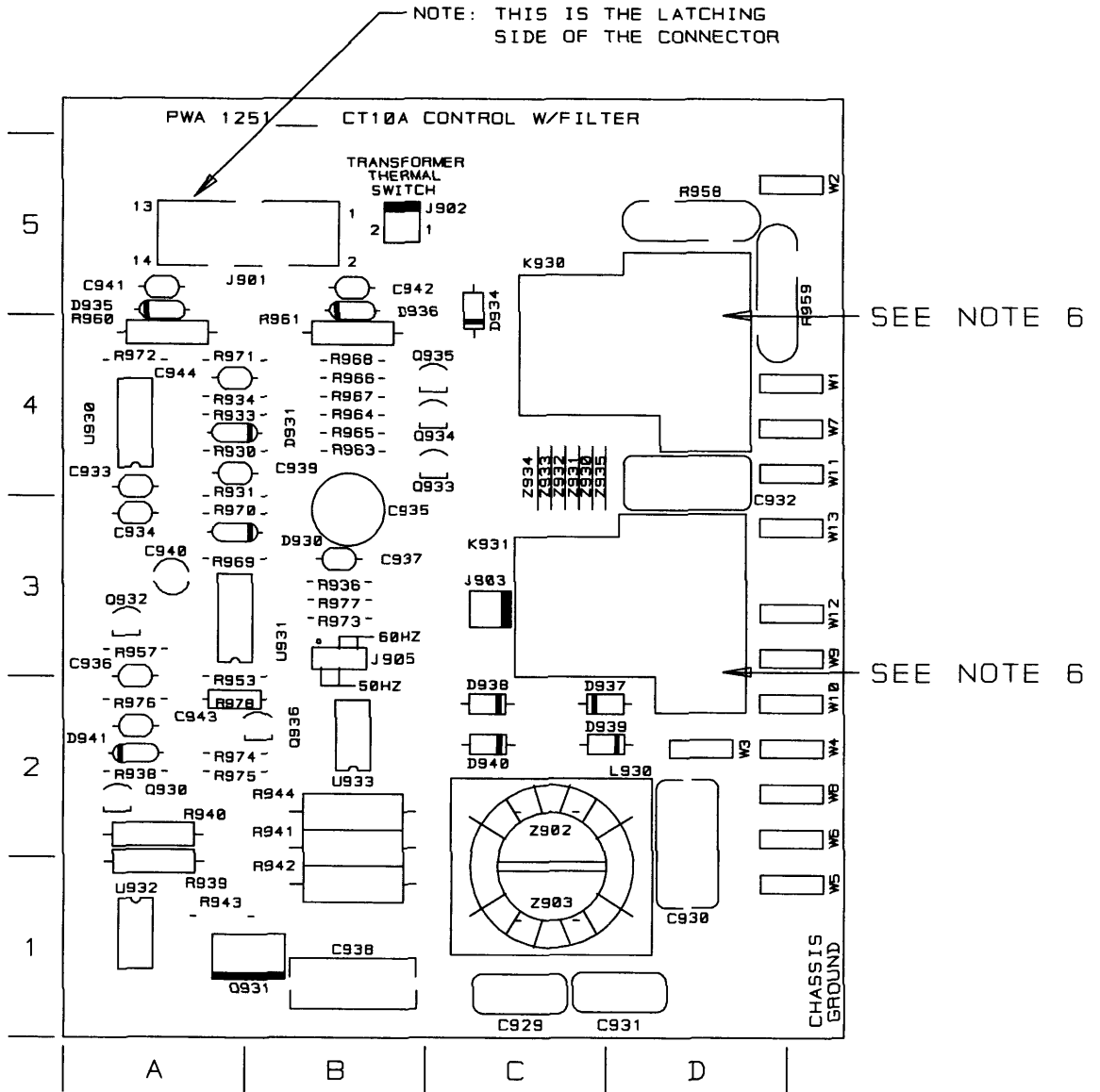
1718 WEST MISHAWAKA ROAD ELKHART, INDIANA 46517 PHONE (219) 294-0000

THESE DRAWINGS AND SPECIFICATIONS ARE THE PROPERTY OF CROWN INTERNATIONAL, INC. AND SHALL NOT BE REPRODUCED, COPIED, OR USED AS THE BASIS FOR THE MANUFACTURE OR SALE OF APPARATUS OR DEVICES WITHOUT PERMISSION.

| | | | | | |
|-------|---------|----------|----------|--------------|-----|
| DRAWN | KLW | 11-04-97 | DWG. NO. | SHEET 4 OF 5 | REV |
| PROJ. | MD360D0 | | 125419 | | (A) |

COMPONENT MAP

(COMPONENT SIDE VIEW)



INACTIVE

For Reference Use Only

CROWN INTERNATIONAL INC.

1718 WEST MISHAWAKA ROAD ELKHART, INDIANA 46517 PHONE (219) 294-8000

THESE DRAWINGS AND SPECIFICATIONS ARE THE PROPERTY OF CROWN INTERNATIONAL, INC. AND SHALL NOT BE REPRODUCED, COPIED, OR USED AS THE BASIS FOR THE MANUFACTURE OR SALE OF APPARATUS OR DEVICES WITHOUT PERMISSION.


| | | | | | |
|-------|---------|----------|----------|--------------|-----|
| DRAWN | KLW | 11-04-97 | DWG. NO. | SHEET 5 OF 5 | REV |
| PROJ. | MD360D0 | | 125419 | | (A) |

| E. C. N. | ZONE | REV. | DESCRIPTION | DATE | BY | APPROVALS | | | |
|----------|------|------|---------------------------------|----------|-----|--------------------|--------------------|-----|--------------------|
| | | | | | | CHK | CM | EE | PE |
| 99E0213 | | A | INITIAL RELEASE FOR PRODUCTION. | 05-21-99 | KLW | <i>[Signature]</i> | <i>[Signature]</i> | N/A | <i>[Signature]</i> |

UNLESS OTHERWISE SPECIFIED, THE FINISHED PWA SHALL MEET:
IPC-A-610_ CLASS 2

NOTES:

1. SCHEMATIC DRAWING NUMBER 125424.
2. PRINTED WIRING BOARD PART NUMBER 125415-1.
3. ALL LEADS SHALL BE TRIMMED TO 0.093" OR LESS.
4. POSITION COMPONENTS AS SHOWN ON COMPONENT MAP.
5. THE VENT HOLE ON TOP OF THE RELAY K930 AND K931 MUST BE OPENED AFTER THE CLEANING PROCESS, BY EITHER REMOVING THE SEALING TAPE OR CUTTING OFF THE CIRCULAR TAB WITH AN "EXACTO" KNIFE OR SIMILAR CUTTING TOOL. WARNING, THIS STEP MUST BE DONE AFTER THE CLEANING PROCESS NOT BEFORE!!! WATER OR CLEANING SOLVENTS ENTERING THE RELAY VENT HOLE WILL DAMAGE THE RELAY.
6. THE CROWN PART NUMBER FOR THIS MODULE SHALL BE MARKED ON THE PRINTED CIRCUIT BOARD AND SHALL BE PERMANENT.
7. SOLDER C945 (C 6806-1) ACROSS R976 AS SHOWN ON THE COMPONENT MAP.



CAUTION

STATIC CAN DAMAGE COMPONENTS!

DO NOT HANDLE

UNLESS WRIST STRAP IS WORN

INACTIVE
For Reference Use Only

| | | | | | | | | | |
|--------------------------|----------------------------|--------------------|----------|------------------------|--------------------|---------|--|--------------|-----|
| CROWN INTERNATIONAL INC. | | | | | | | | | |
| PRINTS | 1718 WEST MISHAWAKA ROAD | | | ELKHART, INDIANA 48517 | | | PHONE (219) 294-8000 | | |
| K | PWA CT10A CONTROL 220/240V | | | | | | TOL. UNLESS SPECIFIED X.XX - ± 0.020 X.XXX - ± 0.010 DRILLS - ± 0.003 | | |
| | DRAWN | KLW | 05-21-99 | APPROVED BY: | | | DO NOT SCALE PRINT | | |
| | CHECKED | <i>[Signature]</i> | 05/21/99 | ME | <i>[Signature]</i> | 5-21-99 | SUPERSEDES | | |
| | SCALE | NONE | | EE | N/A | | E. C. N. | | |
| | PROJ # | MD360D0 | | PE | <i>[Signature]</i> | 5-21-99 | DWG. NO. | SHEET 1 OF 5 | REV |
| NEXT ASSEMBLY | | | | | | | 125419-2 | A | |

THESE DRAWINGS AND SPECIFICATIONS ARE THE PROPERTY OF CROWN INTERNATIONAL, INC. AND SHALL NOT BE REPRODUCED, COPIED, OR USED AS THE BASIS FOR THE MANUFACTURE OR SALE OF APPARATUS OR DEVICES WITHOUT PERMISSION.

PARTS LIST

| C.P.N. | DESCRIPTION | QTY | REFERENCE DESIGNATION |
|--------------|------------------------------|-----|--|
| A10124-24 | WIRE, #24 SOLID BUS | 16" | Z902, Z903, Z930, Z931, Z932, Z933, Z934, Z935 |
| A10265-10021 | 10K OHM 0.25W 1% MF T/R | 10 | R930, R933, R938, R957, R963, R964, R966, R969, R972, R975 |
| A10265-10031 | 100K OHM 0.25W 1% MF T/R | 1 | R968 |
| A10265-12121 | 12.1K OHM 0.25W 1% MF T/R | 2 | R970, R971 |
| A10265-20011 | 2K OHM 0.25W 1% MF T/R | 1 | R978 |
| A10265-20021 | 20K OHM 0.25W 1% MF T/R | 2 | R931, R934 |
| A10265-60431 | 604K OHM 0.25W 1% MF T/R | 1 | R977 |
| A10266-1241 | 120K OHM 0.25W 5% CF T/R | 1 | R973 |
| A10266-1811 | 180 OHM 0.25W 5% CF25 T/R | 1 | R943 |
| A10266-2051 | 2M OHM 0.25W 5% CF T/R | 1 | R953 |
| A10266-2721 | 2.7K OHM 0.25W 5% CF T/R | 2 | R965, R967 |
| A10266-2722 | 2.7K OHM 0.50W 5% CF T/R | 2 | R939, R940 |
| A10266-3351 | 3.3M OHM 0.25W 5% CF T/R | 1 | R936 |
| A10266-4321 | 4.3K OHM 0.25W 5% CF T/R | 2 | R974, R976 |
| A10266-4712 | 470 OHM 0.50W 5% CF | 1 | R961 |
| A10266-5612 | 560 OHM 0.50W 5% CF T/R | 1 | R960 |
| C 2851-1 | RECTIFIER, 1N4004 SILICON T/ | 5 | D934, D937, D938, D939, D940 |
| C 3181-2 | DIODE, 1N4148 T/R | 2 | D930, D931 |
| C 3533-4 | DIODE, 1N966B 16V ZENER T/R | 2 | D935, D936 |
| C 3549-0 | DIODE, ZENER 10V 1N5240B T/R | 1 | D941 |
| C 3625-8 | 2N4125 30V PNP T/R | 6 | Q930, Q932, Q933, Q934, Q935, Q936 |
| C 5311-3 | 22UF 50V 20% NP VERT T/A | 1 | C935 |
| C 6804-6 | .1UF 50V AXIAL CER T/R 104 | 7 | C933, C934, C936, C937, C941, C942, C943 |
| C 6806-1 | .01UF 100V AXIAL CER T/R | 1 | C945 |
| C 6812-9 | 47PF 200V 10% NPO AXL CER | 2 | C939, C944 |
| C 7444-0 | LM393 DUAL COMPARATOR | 1 | U931 |
| C 7636-1 | MC33078P DUAL LOW NOISE OP A | 1 | U930 |
| C 7665-0 | MOC3011 OPTO TRIAC | 1 | U932 |
| C 7746-8 | 3POS SGLROW HDR .025 POST G | 1 | J905 |
| C 7873-0 | 2POS .1 CENTER MTA HEADER TI | 2 | J902, J903 |
| C 8554-5 | .22UF 250V 10% POLYESTER | 1 | C938 |
| C 8894-5 | 1UF 50V VERT 10% NP ELECT T/ | 1 | C940 |
| C 9255-8 | 4N37 PHOTODIODE OPTO ISOLR | 1 | U933 |
| C 9592-4 | .01 250VAC UL/CSA 20% FILM | 1 | C932 |
| C 9885-2 | 14PIN DUAL ROW HDR .1 X.1 CT | 1 | J901 |
| C 9930-6 | 11.8 OHM 3W 5% WW T/R | 2 | R941, R942 |
| C10325-6 | 2200 PF 250VAC 20% FILM Y2 | 2 | C929, C931 |
| C10326-4 | .1UF 250VAC 20% FILM X2 | 1 | C930 |
| C10335-5 | RELAY, 30A 24V T90 SEALED CE | 2 | K930, K931 |
| 100445-1 | NTC, INRUSH CURR LIMITER 3A | 2 | R958, R959 |
| 101031-1 | FASTON, TAB .250 PC MNT | 13 | W1, W2, W3, W4, W5, W6, W7, W8, W9, W10, W11, W12, W13 |
| 125106-1 | MAC9D 8A 400V TRIAC | 1 | Q931 |
| 125158-1 | 6.8K OHM 3W 5% WW T/R | 1 | R944 |
| 125415-1 | PWB, CT10A CONTROL, , , | 1 | |

INACTIVE

For Reference Use Only

CROWN INTERNATIONAL INC.

1718 WEST MISHAWAKA ROAD ELKHART, INDIANA 46517 PHONE (219) 294-8000

THESE DRAWINGS AND SPECIFICATIONS ARE THE PROPERTY OF CROWN INTERNATIONAL, INC. AND SHALL NOT BE REPRODUCED, COPIED, OR USED AS THE BASIS FOR THE MANUFACTURE OR SALE OF APPARATUS OR DEVICES WITHOUT PERMISSION.

| | | | | | |
|-------|---------|----------|----------|--------------|-----|
| DRAWN | KLW | 05-21-99 | DWG. NO. | SHEET 2 OF 5 | REV |
| PROJ. | MD360D0 | | 125419-2 | | A |

PARTS LIST

| REF DES | C. P. N. | DESCRIPTION | MAP LOC. |
|---------|--------------|--------------------------------|----------|
| C929 | C10325-6 | 2200. PF 250VAC 20% FILM Y2 | |
| C930 | C10326-4 | .1UF 250VAC 20% FILM X2 | |
| C931 | C10325-6 | 2200. PF 250VAC 20% FILM Y2 | |
| C932 | C 9592-4 | .01 250VAC UL/CSA 20% FILM | |
| C933 | C 6804-6 | .1UF 50V AXIAL CER T/R 104 | |
| C934 | C 6804-6 | .1UF 50V AXIAL CER T/R 104 | |
| C935 | C 5311-3 | 22UF 50V 20% NP VERT T/A | |
| C936 | C 6804-6 | .1UF 50V AXIAL CER T/R 104 | |
| C937 | C 6804-6 | .1UF 50V AXIAL CER T/R 104 | |
| C938 | C 8554-5 | .22UF 250V 10% POLYESTER | |
| C939 | C 6812-9 | 47PF 200V 10% NPO AXL CER | |
| C940 | C 8894-5 | 1UF 50V VERT 10% NP ELECT T/R | |
| C941 | C 6804-6 | .1UF 50V AXIAL CER T/R 104 | |
| C942 | C 6804-6 | .1UF 50V AXIAL CER T/R 104 | |
| C943 | C 6804-6 | .1UF 50V AXIAL CER T/R 104 | |
| C944 | C 6812-9 | 47PF 200V 10% NPO AXL CER | |
| C945 | C 6806-1 | .01UF 100V AXIAL CER T/R | |
| D930 | C 3181-2 | DIODE, 1N4148 T/R | |
| D931 | C 3181-2 | DIODE, 1N4148 T/R | |
| D934 | C 2851-1 | RECTIFIER, 1N4004 SILICON T/R | |
| D935 | C 3533-4 | DIODE, 1N966B 16V ZENER T/R | |
| D936 | C 3533-4 | DIODE, 1N966B 16V ZENER T/R | |
| D937 | C 2851-1 | RECTIFIER, 1N4004 SILICON T/R | |
| D938 | C 2851-1 | RECTIFIER, 1N4004 SILICON T/R | |
| D939 | C 2851-1 | RECTIFIER, 1N4004 SILICON T/R | |
| D940 | C 2851-1 | RECTIFIER, 1N4004 SILICON T/R | |
| D941 | C 3549-0 | DIODE, ZENER 10V 1N5240B T/R | |
| J901 | C 9885-2 | 14PIN DUAL ROW HDR .1 X.1 CTR | |
| J902 | C 7873-0 | 2POS .1 CENTER MTA HEADER TIN | |
| J903 | C 7873-0 | 2POS .1 CENTER MTA HEADER TIN | |
| J905 | C 7746-8 | 3POS SGLROW HDR .025 POST GOLD | |
| K930 | C10335-5 | RELAY, 30A 24V T90 SEALED CE | |
| K931 | C10335-5 | RELAY, 30A 24V T90 SEALED CE | |
| L930 | | --- OPEN --- | |
| Q930 | C 3625-8 | 2N4125 30V PNP T/R | |
| Q931 | 125106-1 | MAC9D 8AMP 400V TRIAC | |
| Q932 | C 3625-8 | 2N4125 30V PNP T/R | |
| Q933 | C 3625-8 | 2N4125 30V PNP T/R | |
| Q934 | C 3625-8 | 2N4125 30V PNP T/R | |
| Q935 | C 3625-8 | 2N4125 30V PNP T/R | |
| Q936 | C 3625-8 | 2N4125 30V PNP T/R | |
| R930 | A10265-10021 | 10K OHM 0.25W 1% MF T/R | |
| R931 | A10265-20021 | 20K OHM 0.25W 1% MF T/R | |
| R933 | A10265-10021 | 10K OHM 0.25W 1% MF T/R | |
| R934 | A10265-20021 | 20K OHM 0.25W 1% MF T/R | |
| R936 | A10266-3351 | 3.3M OHM 0.25W 5% CF25 T/R | |
| R938 | A10265-10021 | 10K OHM 0.25W 1% MF T/R | |
| R939 | A10266-2722 | 2.7K OHM 0.50W 5% CF T/R | |
| R940 | A10266-2722 | 2.7K OHM 0.50W 5% CF T/R | |
| R941 | C 9930-6 | 11.8 OHM 3W 5% WW T/R | |
| R942 | C 9930-6 | 11.8 OHM 3W 5% WW T/R | |

INACTIVE

For Reference Use Only

CROWN INTERNATIONAL INC.

1718 WEST MISHAWAKA ROAD ELKHART, INDIANA 46517 PHONE (219) 294-8000

DRAWN

KLW

05-21-99

DWG. NO.

SHEET 3 OF 5

REV

PROJ.

MD360D0

125419-2

A

THESE DRAWINGS AND SPECIFICATIONS ARE THE PROPERTY OF CROWN INTERNATIONAL, INC. AND SHALL NOT BE REPRODUCED, COPIED, OR USED AS THE BASIS FOR THE MANUFACTURE OR SALE OF APPARATUS OR DEVICES WITHOUT PERMISSION.

PARTS LIST

| REF DES | C.P.N. | DESCRIPTION | MAP LOC. |
|---------|--------------|--------------------------------|----------|
| R943 | A10266-1811 | 180 OHM 0.25W 5% CF25 T/R | |
| R944 | 125158-1 | 6.8K OHM 3W 5% MF T/R | |
| R953 | A10266-2051 | 2M OHM 0.25W 5% CF T/R | |
| R957 | A10265-10021 | 10K OHM 0.25W 1% MF T/R | |
| R958 | 100445-1 | NTC, INRUSH CURRENT LIMITER 3A | |
| R959 | 100445-1 | NTC, INRUSH CURRENT LIMITER 3A | |
| R960 | A10266-5612 | 560 OHM 0.50W 5% CF T/R | |
| R961 | A10266-4712 | 470 OHM 0.50W 5% CF | |
| R963 | A10265-10021 | 10K OHM 0.25W 1% MF T/R | |
| R964 | A10265-10021 | 10K OHM 0.25W 1% MF T/R | |
| R965 | A10266-2721 | 2.7K OHM 0.25W 5% CF T/R | |
| R966 | A10265-10021 | 10K OHM 0.25W 1% MF T/R | |
| R967 | A10266-2721 | 2.7K OHM 0.25W 5% CF T/R | |
| R968 | A10265-10031 | 100K OHM 0.25W 1% MF T/R | |
| R969 | A10265-10021 | 10K OHM 0.25W 1% MF T/R | |
| R970 | A10265-12121 | 12.1K OHM 0.25W 1% CF25 T/R | |
| R971 | A10265-12121 | 12.1K OHM 0.25W 1% CF25 T/R | |
| R972 | A10265-10021 | 10K OHM 0.25W 1% MF T/R | |
| R973 | A10266-1241 | 120K OHM 0.25W 5% CF T/R | |
| R974 | A10266-4321 | 4.3K OHM 0.25W 5% CF T/R | |
| R975 | A10265-10021 | 10K OHM 0.25W 1% MF T/R | |
| R976 | A10266-4321 | 4.3K OHM 0.25W 5% CF T/R | |
| R977 | A10265-60431 | 604K OHM 0.25W 1% MF T/R | |
| R978 | A10265-20011 | 2K OHM 0.25W 1% MF T/R | |
| U930 | C 7636-1 | MC33078P DUAL LOW NOISE OP AMP | |
| U931 | C 7444-0 | LM393 DUAL COMPARATOR | |
| U932 | C 7665-0 | MOC3011 OPTO TRIAC | |
| U933 | C 9255-8 | 4N37 PHOTOXSISTOR OPTO ISOLR | |
| W1 | 101031-1 | FASTON, TAB .250 PC MNT | |
| W2 | 101031-1 | FASTON, TAB .250 PC MNT | |
| W3 | 101031-1 | FASTON, TAB .250 PC MNT | |
| W4 | 101031-1 | FASTON, TAB .250 PC MNT | |
| W5 | 101031-1 | FASTON, TAB .250 PC MNT | |
| W6 | 101031-1 | FASTON, TAB .250 PC MNT | |
| W7 | 101031-1 | FASTON, TAB .250 PC MNT | |
| W8 | 101031-1 | FASTON, TAB .250 PC MNT | |
| W9 | 101031-1 | FASTON, TAB .250 PC MNT | |
| W10 | 101031-1 | FASTON, TAB .250 PC MNT | |
| W11 | 101031-1 | FASTON, TAB .250 PC MNT | |
| W12 | 101031-1 | FASTON, TAB .250 PC MNT | |
| W13 | 101031-1 | FASTON, TAB .250 PC MNT | |
| Z902 | A10124-24 | WIRE, #24 SOLID BUSS | |
| Z903 | A10124-24 | WIRE, #24 SOLID BUSS | |
| Z930 | A10124-24 | WIRE, #24 SOLID BUSS | |
| Z931 | A10124-24 | WIRE, #24 SOLID BUSS | |
| Z932 | A10124-24 | WIRE, #24 SOLID BUSS | |
| Z933 | A10124-24 | WIRE, #24 SOLID BUSS | |
| Z934 | A10124-24 | WIRE, #24 SOLID BUSS | |
| Z935 | A10124-24 | WIRE, #24 SOLID BUSS | |
| | 125415-1 | PWB, CT10A CONTROL, , | |

INACTIVE

For Reference Use Only

CROWN INTERNATIONAL INC.

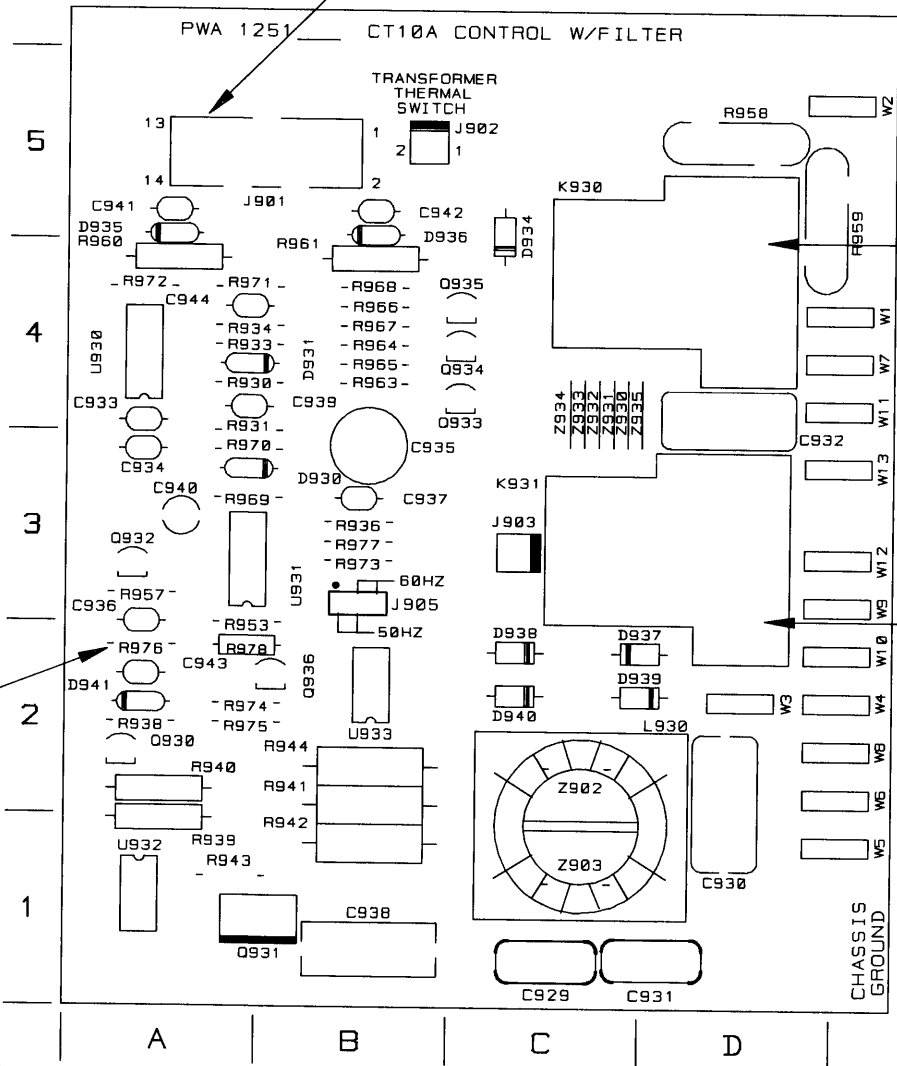
1718 WEST MISHAWAKA ROAD ELKHART, INDIANA 46517 PHONE (219) 294-8000

THESE DRAWINGS AND SPECIFICATIONS ARE THE PROPERTY OF CROWN INTERNATIONAL, INC. AND SHALL NOT BE REPRODUCED, COPIED, OR USED AS THE BASIS FOR THE MANUFACTURE OR SALE OF APPARATUS OR DEVICES WITHOUT PERMISSION.

| | | | | | |
|-------|---------|----------|----------|--------------|-----|
| DRAWN | KLW | 05-21-99 | DWG. NO. | SHEET 4 OF 5 | REV |
| PROJ. | MD360D0 | | 125419-2 | | (A) |

COMPONENT MAP (COMPONENT SIDE VIEW)

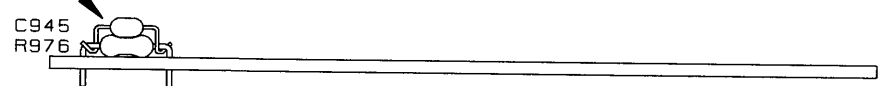
NOTE: THIS IS THE LATCHING
SIDE OF THE CONNECTOR



SEE NOTE 5

SEE NOTE 5

SEE
NOTE 7



EDGE VIEW

MOST COMPONENTS OMITTED FOR CLARITY.

INACTIVE
For Reference Use Only

CROWN INTERNATIONAL INC.

1718 WEST MISHAWAKA ROAD ELKHART, INDIANA 46517 PHONE (219) 294-8000

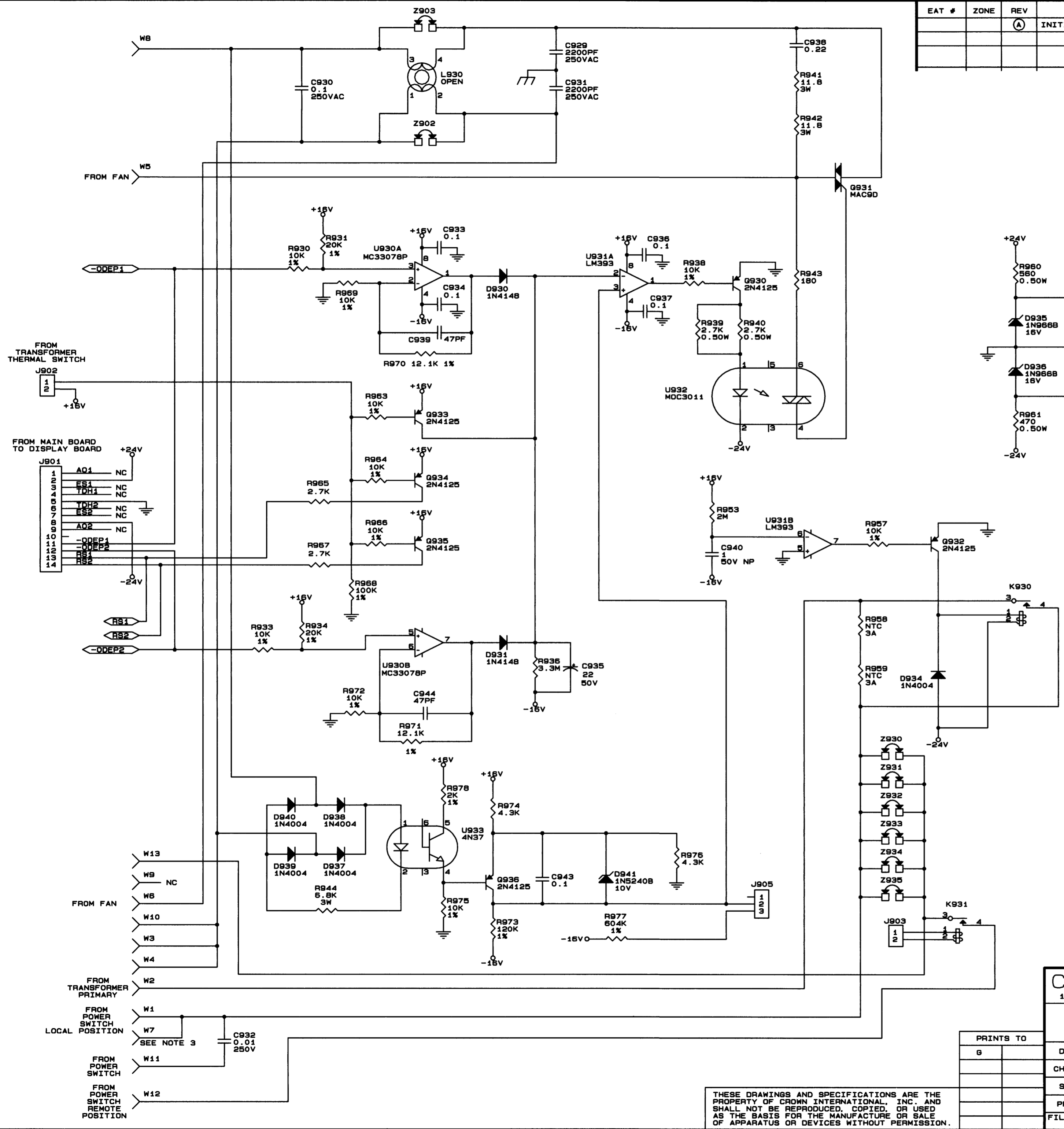
THESE DRAWINGS AND SPECIFICATIONS ARE THE PROPERTY OF CROWN INTERNATIONAL, INC. AND SHALL NOT BE REPRODUCED, COPIED, OR USED AS THE BASIS FOR THE MANUFACTURE OR SALE OF APPARATUS OR DEVICES WITHOUT PERMISSION.

| | | | |
|-------|---------|----------|----------|
| DRAWN | KLW | 05-21-99 | DWG. NO. |
| PROJ. | MD360D0 | | |

SHEET 5 OF 5
125419-2

REV
(A)

| EAT # | ZONE | REV | DESCRIPTION | DATE | BY | APPROVALS |
|-------|------|-----|------------------|----------|-----|-------------|
| | | (A) | INITIAL RELEASE. | 11-10-97 | KLW | CK ME EE PE |



| LAST USED | NOT USED |
|-----------|--------------------------------------|
| C944 | 900-928 |
| D941 | 900-929, 932, 933 |
| J905 | 900, 904 |
| K931 | 900-929 |
| Q936 | 900-929 |
| R978 | 932, 935, 937, 945-952, 954-956, 962 |
| U933 | 900-929 |
| W13 | |
| Z935 | 900, 901, 904-929 |

- NOTES :**
1. ALL RESISTORS ARE IN OHMS, 1/4W, 5% UNLESS OTHERWISE SPECIFIED.
 2. ALL CAPACITORS ARE IN MICROFARADS UNLESS OTHERWISE SPECIFIED.
 3. FOR ALL 120V UNITS CONNECT W7 TO W8 USING WIRE ASSEMBLY A11364-C050C.

INACTIVE
For Reference Use Only
Document Has Been Replaced
with a Newer Version

CROWN INTERNATIONAL, INC.
1718 WEST MISHAWAKA ROAD ELKHART, IN. 46517 PHONE (219) 294-8000

SCH, CONTROL CT10A 220/240V

| PRINTS TO | | DRAWN | | APPROVED BY : | | DO NOT SCALE PRINT | |
|-----------|--|-----------|--------------|----------------|--------------|--------------------|------------|
| G | | KLW | 11-10-97 | ME | | | SUPERSEDES |
| | | SCALE | NONE | EE | | | E.C. |
| | | PROJ # | MD36000 | PE | EDW 11-14-97 | DWG. NO. | 125424 |
| | | FILENAME: | 1254241A.SCM | NEXT ASSEMBLY: | | REV | (A) |

THESE DRAWINGS AND SPECIFICATIONS ARE THE PROPERTY OF CROWN INTERNATIONAL, INC. AND SHALL NOT BE REPRODUCED, COPIED, OR USED AS THE BASIS FOR THE MANUFACTURE OR SALE OF APPARATUS OR DEVICES WITHOUT PERMISSION.

**CT1610 Control Module 100V Information On Following Pages
Documentation, Component Map, Schematic**

CROWN INTERNATIONAL

101530

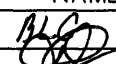
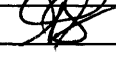
| | | | | |
|----------|---------------|------------------------------------|------------------------|-------|
| REVISION | A | TITLE: PWA, CT1610 CONTROL 100V | PRINTS | K |
| MADE BY | TOM SZERENCSE | | SHEET NO. | 1 |
| DATE | 01-27-97 | | CONT. ON SH | 2 |
| PROJ. | D360 | | FIRST MADE FOR: CT1610 | DRAWN |

REVISION CONTROL SHEET FOR MULTI-SHEET DOCUMENTS

REVISION IN THE UPPER LEFT CORNER OF THIS SHEET IS THE REVISION FOR THE ENTIRE DOCUMENT

| | | | | | | | | | | | | | | | | | | | |
|-------------|----------|--|--|--|--|--|--|--|--|--|--|--|--|--|--|--|--|--|--|
| REFERENCE → | | | | | | | | | | | | | | | | | | | |
| DATE → | 01-27-97 | | | | | | | | | | | | | | | | | | |
| SHEET NO. ↓ | | | | | | | | | | | | | | | | | | | |
| 3 | A | | | | | | | | | | | | | | | | | | |
| 4 | A | | | | | | | | | | | | | | | | | | |
| 5 | A | | | | | | | | | | | | | | | | | | |
| 6 | A | | | | | | | | | | | | | | | | | | |
| 7 | A | | | | | | | | | | | | | | | | | | |

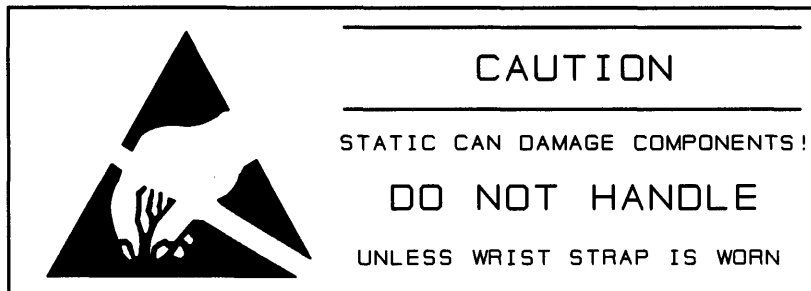
THESE DRAWINGS AND SPECIFICATIONS ARE THE PROPERTY OF CROWN INTERNATIONAL, INC. AND SHALL NOT BE REPRODUCED, COPIED, OR USED AS THE BASIS FOR THE MANUFACTURE OR SALE OF APPARATUS OR DEVICES WITHOUT PERMISSION.

| APPROVALS | NAME | DATE |
|-----------|---|---------|
| EE |  | 2-19-97 |
| PE |  | 2-19-97 |
| MFG | | |

UNLESS OTHERWISE SPECIFIED, THE FINISHED PWA SHALL MEET:
IPC-A-610 CLASS 2

NOTES:

1. SCHEMATIC DRAWING NUMBER 101528.
2. PWB PART NUMBER 100283-2.
3. PWA PART NUMBER 101530-1.
4. ALL LEADS SHALL BE TRIMMED TO 0.093" OR LESS.
5. POSITION COMPONENTS AS SHOWN ON COMPONENT MAP.
6. THE VENT HOLE ON TOP OF THE RELAY K930 AND K931 MUST BE OPENED AFTER THE CLEANING PROCESS. BY EITHER REMOVING THE SEALING TAPE OR CUTTING OFF THE CIRCULAR TAB WITH AN "EXACTO" KNIFE OR SIMILAR CUTTING TOOL. WARNING, THIS STEP MUST BE DONE AFTER THE CLEANING PROCESS NOT BEFORE!!! WATER OR CLEANING SOLVENTS ENTERING THE RELAY VENT HOLE WILL DAMAGE THE RELAY.
7. THE CROWN PART NUMBER FOR THIS MODULE SHALL BE MARKED ON THE PRINTED CIRCUIT BOARD AND SHALL BE PERMANENT.



CROWN INTERNATIONAL INC.

1718 WEST MISHAWAKA ROAD ELKHART, INDIANA 46517 PHONE (219) 294-8000

THESE DRAWINGS AND SPECIFICATIONS ARE THE PROPERTY OF CROWN INTERNATIONAL, INC. AND SHALL NOT BE REPRODUCED, COPIED, OR USED AS THE BASIS FOR THE MANUFACTURE OR SALE OF APPARATUS OR DEVICES WITHOUT PERMISSION.

DRAWN

KLW

01-27-97

DWG. NO.

PROJ.

D360

101530

SHEET 3
CONT. ON
SHEET 4

REV
A

PARTS LIST

| C.P.N. | DESCRIPTION | QTY | REFERENCE DESIGNATION |
|--------------|------------------------------|-----|---|
| 100283-2 | PWB, CT10 CONTROL, , , | 1 | 1 |
| 101031-1 | FASTON, TAB .250 PC MNT | 13 | W1, W10, W2, W3, W4, W5, W6, W7, W8, W9, W11, W12, W13 |
| 101131-1 | NTC, INRUSH CURR LIMITER 4A | 1 | R958 |
| A10124-24 | WIRE, #24 SOLID BUS | 4" | R937, R959 |
| A10265-10021 | 10. KOHM .25W 1 MF T/R | 10 | R938, R945, R947, R948, R957, R963, R964, R965, R966, R967 |
| A10265-10031 | 100. KOHM .25W 1 MF T/R | 2 | R949, R968 |
| A10265-24921 | 24.9 KOHM .25W 1% MF T/R | 1 | R944 |
| A10265-27411 | 2.74KOHM .25W 1% MF T/R | 1 | R946 |
| A10266-1061 | 10. MOHM .25W 5% CF T/R | 1 | R936 |
| A10266-1231 | 12. KOHM .25W 5% CF T/R | 2 | R930, R933 |
| A10266-1811 | 180. OHM .25W 5% CF25 T/R | 1 | R943 |
| A10266-1831 | 18. KOHM .25W 5% CF T/R | 2 | R931, R934 |
| A10266-2051 | 2 MOHM .25W 5 CF T/R | 1 | R953 |
| A10266-2441 | 240. KOHM .25W 5% CF T/R | 3 | R932, R935, R952 |
| A10266-2722 | 2.7 KOHM .5W 5% CF T/R | 2 | R939, R940 |
| A10266-2731 | 27. KOHM .25W 5 CF T/R | 1 | R951 |
| A10266-4712 | 470, 0.50W, 5%, CF | 1 | R961 |
| A10266-5131 | 51. KOHM .25W 5 CF25 T/R | 1 | R950 |
| A10266-5612 | 560. OHM .5W 5% CF T/R | 1 | R960 |
| C 2851-1 | RECTIFIER, 1N4004 SILICON T/ | 1 | D934 |
| C 3181-2 | DIODE, 1N4148 T/R | 2 | D930, D931 |
| C 3533-4 | DIODE, 1N966B 16V ZENER T/R | 2 | D935, D936 |
| C 3625-8 | 2N4125 30V PNP T/R | 5 | Q930, Q932, Q933, Q934, Q935, |
| C 5311-3 | 22UF 50V 20% NP VERT T/A | 1 | C935 |
| C 6802-0 | .47UF 50V AXIAL CER T/R 474 | 1 | C939 |
| C 6804-6 | .1UF 50V AXIAL CER T/R 104 | 6 | C933, C934, C936, C937, C941, C942 |
| C 7444-0 | LM393 DUAL COMPARATOR | 1 | U931 |
| C 7558-7 | MC33079P QUAD LOW NOISE OP A | 1 | U930 |
| C 7662-7 | MAC218A6 8AMP 400V TRIAC | 1 | Q931 |
| C 7664-3 | MOC3031 ZERO OPTO TRIAC | 1 | U932 |
| C 7873-0 | 2POS .1 CENTER MTA HEADER TI | 2 | J902, J903 |
| C 8369-8 | 1N747A 3.6V 5% ZENER .5W | 2 | D932, D933 |
| C 8554-5 | .22UF 250V 10% POLYESTER | 1 | C938 |
| C 8894-5 | 1UF 50V VERT 10% NP ELECT T/ | 1 | C940 |
| C 9592-4 | .01 250VAC UL/CSA 20% FILM | 1 | C932 |
| C 9885-2 | 14PIN DUAL ROW HDR .1 X.1 CT | 1 | J901 |
| C 9930-6 | 11.8 OHM 3W 5% WW T/R | 2 | R941, R942 |
| C10335-5 | RELAY, 30A 24V T90 SEALED CE | 2 | K930, K931 |
| | | | |
| | | | |
| | | | |
| | | | |
| | | | |
| | | | |
| | | | |
| | | | |
| | | | |
| | | | |

CROWN INTERNATIONAL INC.

1718 WEST MISHAWAKA ROAD

ELKHART, INDIANA 46517

PHONE (219) 294-8000

THESE DRAWINGS AND SPECIFICATIONS ARE THE PROPERTY OF CROWN INTERNATIONAL, INC. AND SHALL NOT BE REPRODUCED, COPIED, OR USED AS THE BASIS FOR THE MANUFACTURE OR SALE OF APPARATUS OR DEVICES WITHOUT PERMISSION.

DRAWN

KLW

01-27-97

DWG. NO.

PROJ.

D360

101530

SHEET 4
CONT. ON
SHEET 5

REV
A

PARTS LIST

| REF DES | C. P. N. | DESCRIPTION | MAP LOC. |
|---------|--------------|-------------------------------|----------|
| 1 | 100283-2 | PWB, CT10 CONTROL, . . . | |
| C932 | C 9592-4 | .01 250VAC UL/CSA 20% FILM | D 3 |
| C933 | C 6804-6 | .1UF 50V AXIAL CER T/R 104 | B 3 |
| C934 | C 6804-6 | .1UF 50V AXIAL CER T/R 104 | A 3 |
| C935 | C 5311-3 | 22UF 50V 20% NP VERT T/A | B 2 |
| C936 | C 6804-6 | .1UF 50V AXIAL CER T/R 104 | A 2 |
| C937 | C 6804-6 | .1UF 50V AXIAL CER T/R 104 | B 2 |
| C938 | C 8554-5 | .22UF 250V 10% POLYESTER | C 1 |
| C939 | C 6802-0 | .47UF 50V AXIAL CER T/R 474 | B 3 |
| C940 | C 8894-5 | 1UF 50V VERT 10% NP ELECT T/R | A 2 |
| C941 | C 6804-6 | .1UF 50V AXIAL CER T/R 104 | A 5 |
| C942 | C 6804-6 | .1UF 50V AXIAL CER T/R 104 | B 5 |
| D930 | C 3181-2 | DIODE, 1N4148 T/R | B 3 |
| D931 | C 3181-2 | DIODE, 1N4148 T/R | B 4 |
| D932 | C 8369-8 | 1N747A 3.6V 5% ZENER .5W | A 4 |
| D933 | C 8369-8 | 1N747A 3.6V 5% ZENER .5W | A 4 |
| D934 | C 2851-1 | RECTIFIER, 1N4004 SILICON T/R | C 5 |
| D935 | C 3533-4 | DIODE, 1N966B 16V ZENER T/R | A 5 |
| D936 | C 3533-4 | DIODE, 1N966B 16V ZENER T/R | B 5 |
| J901 | C 9885-2 | 14PIN DUAL ROW HDR .1 X.1 CTR | B 5 |
| J902 | C 7873-0 | 2POS .1 CENTER MTA HEADER TIN | B 5 |
| J903 | C 7873-0 | 2POS .1 CENTER MTA HEADER TIN | C 2 |
| K930 | C10335-5 | RELAY, 30A 24V T90 SEALED CE | C 4 |
| K931 | C10335-5 | RELAY, 30A 24V T90 SEALED CE | C 2 |
| Q930 | C 3625-8 | 2N4125 30V PNP T/R | A 1 |
| Q931 | C 7662-7 | MAC218A6 8AMP 400V TRIAC | B 1 |
| Q932 | C 3625-8 | 2N4125 30V PNP T/R | A 2 |
| Q933 | C 3625-8 | 2N4125 30V PNP T/R | B 4 |
| Q934 | C 3625-8 | 2N4125 30V PNP T/R | B 4 |
| Q935 | C 3625-8 | 2N4125 30V PNP T/R | B 4 |
| R930 | A10266-1231 | 12. KOHM .25W 5% CF T/R | B 3 |
| R931 | A10266-1831 | 18. KOHM .25W 5% CF T/R | B 3 |
| R932 | A10266-2441 | 240. KOHM .25W 5% CF T/R | B 3 |
| R933 | A10266-1231 | 12. KOHM .25W 5% CF T/R | B 3 |
| R934 | A10266-1831 | 18. KOHM .25W 5% CF T/R | B 3 |
| R935 | A10266-2441 | 240. KOHM .25W 5% CF T/R | B 4 |
| R936 | A10266-1061 | 10. MOHM .25W 5 CF25 T/R | B 2 |
| R937 | A10124-24 | WIRE, #24 SOLID BUS | B 2 |
| R938 | A10265-10021 | 10. KOHM .25W 1 MF T/R | A 2 |
| R939 | A10266-2722 | 2.7 KOHM .5W 5% CF T/R | A 1 |
| R940 | A10266-2722 | 2.7 KOHM .5W 5% CF T/R | A 1 |
| R941 | C 9930-6 | 11.8 OHM 3W 5% WW T/R | C 1 |
| R942 | C 9930-6 | 11.8 OHM 3W 5% WW T/R | C 1 |
| R943 | A10266-1811 | 180. OHM .25W 5% CF25 T/R | B 1 |
| R944 | A10265-24921 | 24.9 KOHM .25W 1% MF T/R | A 4 |
| | | | |
| | | | |
| | | | |
| | | | |
| | | | |

CROWN INTERNATIONAL INC.

1718 WEST MISHAWAKA ROAD ELKHART, INDIANA 46517 PHONE (219) 294-8000

DRAWN

KLW

01-27-97

DWG. NO.

101530

SHEET 5
CONT. ON
SHEET 6

REV

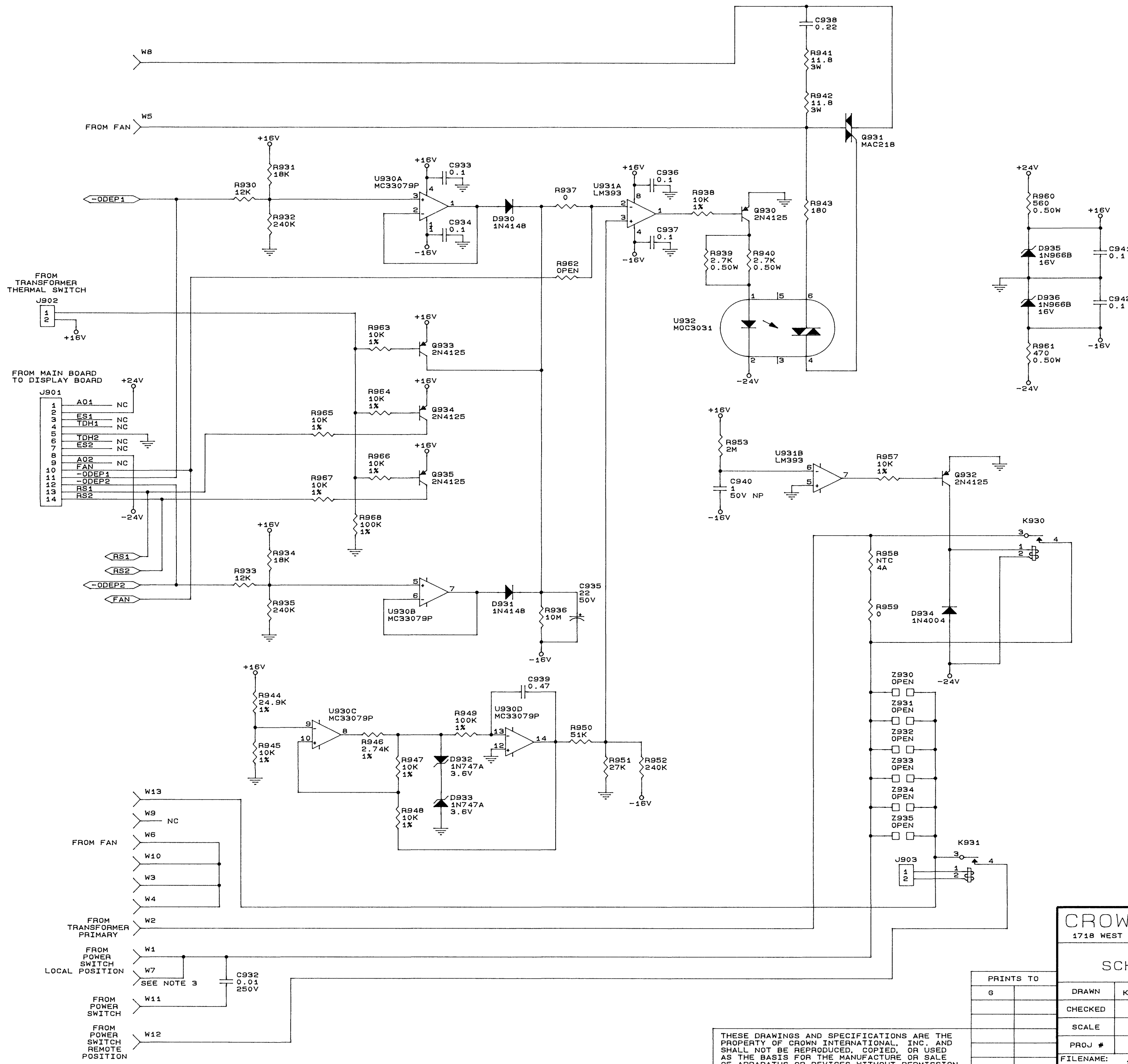
A

THESE DRAWINGS AND SPECIFICATIONS ARE THE PROPERTY OF CROWN INTERNATIONAL, INC. AND SHALL NOT BE REPRODUCED, COPIED, OR USED AS THE BASIS FOR THE MANUFACTURE OR SALE OF APPARATUS OR DEVICES WITHOUT PERMISSION.

PROJ.

D360

| EAT # | ZONE | REV | DESCRIPTION | DATE | BY | APPROVALS |
|-------|------|-----|------------------|----------|-----|--------------------|
| | | (A) | INITIAL RELEASE. | 02-18-97 | KLW | CK ME EE PE ALC |



| LAST USED | NOT USED |
|-----------|----------|
| C942 | 930, 931 |
| D936 | |
| J903 | |
| K931 | |
| Q935 | |
| R968 | 954-956 |
| U932 | |
| W10 | |
| Z935 | |

- NOTES :
1. ALL RESISTORS ARE IN OHMS, 1/4W, 5% UNLESS OTHERWISE SPECIFIED.
 2. ALL CAPACITORS ARE IN MICROFARADS UNLESS OTHERWISE SPECIFIED.
 3. FOR ALL 120V UNITS CONNECT W7 TO W8 USING WIRE ASSEMBLY A11384-C050C.

CROWN INTERNATIONAL, INC.
1718 WEST MISHAWAKA ROAD ELKHART, IN. 46517 PHONE (219) 294-8000

SCHEMATIC; CT1610 CONTROL 100V

| PRINTS TO | DRAWN | KLW | 02-18-97 | APPROVED BY : | DO NOT SCALE PRINT |
|-----------|-----------|--------------|----------|----------------|--------------------|
| G | | | | ME | SUPERSEDES 100285 |
| | CHECKED | | | EE | E.C. |
| | SCALE | NONE | | PE | DWG. NO. |
| | PROJ # | D360 | | 2-19-97 | 101528 |
| | FILENAME: | 1015281A.SCM | | NEXT ASSEMBLY: | REV (A) |

THESE DRAWINGS AND SPECIFICATIONS ARE THE PROPERTY OF CROWN INTERNATIONAL, INC. AND SHALL NOT BE REPRODUCED, COPIED, OR USED AS THE BASIS FOR THE MANUFACTURE OR SALE OF APPARATUS OR DEVICES WITHOUT PERMISSION.

**CT1610 Control Module 120V Information On Following Pages
Documentation, Component Map, Schematic**

CROWN INTERNATIONAL

101531

| | | | | |
|----------|---------------|------------------------------------|-------------|-----|
| REVISION | A | TITLE: PWA, CT1610 CONTROL 120V | PRINTS | K |
| MADE BY | TOM SZERENCSE | | SHEET NO. | 1 |
| DATE | 01-27-97 | | CONT. ON SH | 2 |
| PROJ. | D360 | FIRST MADE FOR: CT1610 | DRAWN | KLW |

REVISION CONTROL SHEET FOR MULTI-SHEET DOCUMENTS

REVISION IN THE UPPER LEFT CORNER OF THIS SHEET IS THE REVISION FOR THE ENTIRE DOCUMENT

| REFERENCE ⇨ | DATE ⇨ | SHEET NO. ↓ | | | | | | | | | | | | | | | | | | |
|-------------|----------|-------------|--|--|--|--|--|--|--|--|--|--|--|--|--|--|--|--|--|--|
| | 01-27-97 | | | | | | | | | | | | | | | | | | | |
| 3 | | A | | | | | | | | | | | | | | | | | | |
| 4 | | A | | | | | | | | | | | | | | | | | | |
| 5 | | A | | | | | | | | | | | | | | | | | | |
| 6 | | A | | | | | | | | | | | | | | | | | | |
| 7 | | A | | | | | | | | | | | | | | | | | | |

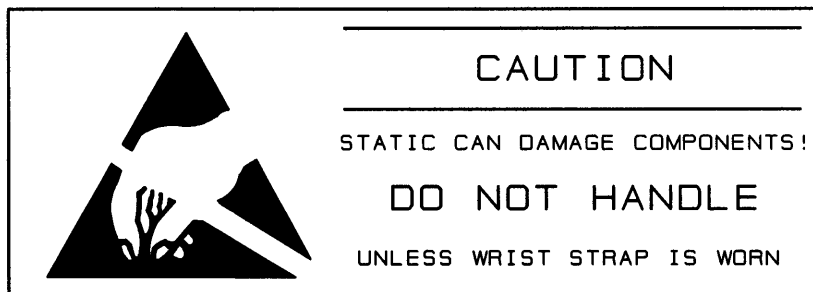
THESE DRAWINGS AND SPECIFICATIONS ARE THE PROPERTY OF CROWN INTERNATIONAL, INC. AND SHALL NOT BE REPRODUCED, COPIED, OR USED AS THE BASIS FOR THE MANUFACTURE OR SALE OF APPARATUS OR DEVICES WITHOUT PERMISSION.

| APPROVALS | NAME | DATE |
|-----------|--------------------|---------|
| EE | <i>[Signature]</i> | 2-19-97 |
| PE | <i>[Signature]</i> | 2-19-97 |
| MFG | | |

UNLESS OTHERWISE SPECIFIED, THE FINISHED PWA SHALL MEET:
IPC-A-610 CLASS 2

NOTES:

1. SCHEMATIC DRAWING NUMBER 101529.
2. PWB PART NUMBER 100283-2.
3. PWA PART NUMBER 101531-1.
4. ALL LEADS SHALL BE TRIMMED TO 0.093" OR LESS.
5. POSITION COMPONENTS AS SHOWN ON COMPONENT MAP.
6. THE VENT HOLE ON TOP OF THE RELAY K930 AND K931 MUST BE OPENED AFTER THE CLEANING PROCESS, BY EITHER REMOVING THE SEALING TAPE OR CUTTING OFF THE CIRCULAR TAB WITH AN "EXACTO" KNIFE OR SIMILAR CUTTING TOOL. WARNING, THIS STEP MUST BE DONE AFTER THE CLEANING PROCESS NOT BEFORE!!! WATER OR CLEANING SOLVENTS ENTERING THE RELAY VENT HOLE WILL DAMAGE THE RELAY.
7. THE CROWN PART NUMBER FOR THIS MODULE SHALL BE MARKED ON THE PRINTED CIRCUIT BOARD AND SHALL BE PERMANENT.



| | | | | |
|--|------|----------|----------|----------|
| CROWN INTERNATIONAL INC. | | | | |
| 1718 WEST MISHAWAKA ROAD ELKHART, INDIANA 46517 PHONE (219) 294-8000 | | | | |
| DRAWN | KLW | 01-27-97 | DWG. NO. | REV |
| PROJ. | D360 | | 101531 | (A) |
| | | | SHEET 3 | CONT. ON |
| | | | SHEET 4 | |

THESE DRAWINGS AND SPECIFICATIONS ARE THE PROPERTY OF CROWN INTERNATIONAL, INC. AND SHALL NOT BE REPRODUCED, COPIED, OR USED AS THE BASIS FOR THE MANUFACTURE OR SALE OF APPARATUS OR DEVICES WITHOUT PERMISSION.

PARTS LIST

| C.P.N. | DESCRIPTION | QTY | REFERENCE DESIGNATION |
|--------------|------------------------------|-----|--|
| 100283-2 | PWB, CT10 CONTROL, . . . | 1 | 1 |
| 101031-1 | FASTON, TAB .250 PC MNT | 13 | W1, W10, W2, W3, W4, W5, W6, W7, W8, W9, W11, W12, W13 |
| 100445-1 | NTC, INRUSH CURR LIMITER 3A | 1 | R958 |
| A10124-24 | WIRE, #24 SOLID BUS | 4" | R937, R959 |
| A10265-10021 | 10. KOHM .25W 1 MF T/R | 10 | R938, R945, R947, R948, R957, R963, R964, R965, R966, R967 |
| A10265-10031 | 100. KOHM .25W 1 MF T/R | 2 | R949, R968 |
| A10265-24921 | 24.9 KOHM .25W 1% MF T/R | 1 | R944 |
| A10265-27411 | 2.74KOHM .25W 1% MF T/R | 1 | R946 |
| A10266-1061 | 10. MOHM .25W 5% CF T/R | 1 | R936 |
| A10266-1231 | 12. KOHM .25W 5% CF T/R | 2 | R930, R933 |
| A10266-1811 | 180. OHM .25W 5% CF25 T/R | 1 | R943 |
| A10266-1831 | 18. KOHM .25W 5% CF T/R | 2 | R931, R934 |
| A10266-2051 | 2 MOHM .25W 5 CF T/R | 1 | R953 |
| A10266-2441 | 240. KOHM .25W 5% CF T/R | 3 | R932, R935, R952 |
| A10266-2722 | 2.7 KOHM .5W 5% CF T/R | 2 | R939, R940 |
| A10266-2731 | 27. KOHM .25W 5 CF T/R | 1 | R951 |
| A10266-4712 | 470, 0.50W, 5%, CF | 1 | R961 |
| A10266-5131 | 51. KOHM .25W 5 CF25 T/R | 1 | R950 |
| A10266-5612 | 560. OHM .5W 5% CF T/R | 1 | R960 |
| C 2851-1 | RECTIFIER, 1N4004 SILICON T/ | 1 | D934 |
| C 3181-2 | DIODE, 1N4148 T/R | 2 | D930, D931 |
| C 3533-4 | DIODE, 1N966B 16V ZENER T/R | 2 | D935, D936 |
| C 3625-8 | 2N4125 30V PNP T/R | 5 | Q930, Q932, Q933, Q934, Q935, |
| C 5311-3 | 22UF 50V 20% NP VERT T/A | 1 | C935 |
| C 6802-0 | .47UF 50V AXIAL CER T/R 474 | 1 | C939 |
| C 6804-6 | .1UF 50V AXIAL CER T/R 104 | 6 | C933, C934, C936, C937, C941, C942 |
| C 7444-0 | LM393 DUAL COMPARATOR | 1 | U931 |
| C 7558-7 | MC33079P QUAD LOW NOISE OP A | 1 | U930 |
| C 7662-7 | MAC218A6 8AMP 400V TRIAC | 1 | Q931 |
| C 7664-3 | MOC3031 ZERO OPTO TRIAC | 1 | U932 |
| C 7873-0 | 2POS .1 CENTER MTA HEADER TI | 2 | J902, J903 |
| C 8369-8 | 1N747A 3.6V 5% ZENER .5W | 2 | D932, D933 |
| C 8554-5 | .22UF 250V 10% POLYESTER | 1 | C938 |
| C 8894-5 | 1UF 50V VERT 10% NP ELECT T/ | 1 | C940 |
| C 9592-4 | .01 250VAC UL/CSA 20% FILM | 1 | C932 |
| C 9885-2 | 14PIN DUAL ROW HDR .1 X.1 CT | 1 | J901 |
| C 9930-6 | 11.8 OHM 3W 5% WW T/R | 2 | R941, R942 |
| C10335-5 | RELAY, 30A 24V T90 SEALED CE | 2 | K930, K931 |
| | | | |
| | | | |
| | | | |
| | | | |
| | | | |
| | | | |
| | | | |
| | | | |
| | | | |
| | | | |

| | | | |
|---------------------------------|------|------------------------|----------------------|
| CROWN INTERNATIONAL INC. | | | |
| 1718 WEST MISHAWAKA ROAD | | ELKHART, INDIANA 46517 | PHONE (219) 294-8000 |
| DRAWN | KLW | 01-27-97 | DWG. NO. |
| PROJ. | D360 | | 101531 |
| | | SHEET 4 | REV (A) |
| | | CONT. ON | |
| | | SHEET 5 | |

THESE DRAWINGS AND SPECIFICATIONS ARE THE PROPERTY OF CROWN INTERNATIONAL, INC. AND SHALL NOT BE REPRODUCED, COPIED, OR USED AS THE BASIS FOR THE MANUFACTURE OR SALE OF APPARATUS OR DEVICES WITHOUT PERMISSION.

PARTS LIST

| REF DES | C. P. N. | DESCRIPTION | MAP LOC. |
|---------|--------------|-------------------------------|----------|
| 1 | 100283-2 | PWB, CT10 CONTROL, . . . | |
| C932 | C 9592-4 | .01 250VAC UL/CSA 20% FILM | D 3 |
| C933 | C 6804-6 | .1UF 50V AXIAL CER T/R 104 | B 3 |
| C934 | C 6804-6 | .1UF 50V AXIAL CER T/R 104 | A 3 |
| C935 | C 5311-3 | 22UF 50V 20% NP VERT T/A | B 2 |
| C936 | C 6804-6 | .1UF 50V AXIAL CER T/R 104 | A 2 |
| C937 | C 6804-6 | .1UF 50V AXIAL CER T/R 104 | B 2 |
| C938 | C 8554-5 | .22UF 250V 10% POLYESTER | C 1 |
| C939 | C 6802-0 | .47UF 50V AXIAL CER T/R 474 | B 3 |
| C940 | C 8894-5 | 1UF 50V VERT 10% NP ELECT T/R | A 2 |
| C941 | C 6804-6 | .1UF 50V AXIAL CER T/R 104 | A 5 |
| C942 | C 6804-6 | .1UF 50V AXIAL CER T/R 104 | B 5 |
| D930 | C 3181-2 | DIODE, 1N4148 T/R | B 3 |
| D931 | C 3181-2 | DIODE, 1N4148 T/R | B 4 |
| D932 | C 8369-8 | 1N747A 3.6V 5% ZENER .5W | A 4 |
| D933 | C 8369-8 | 1N747A 3.6V 5% ZENER .5W | A 4 |
| D934 | C 2851-1 | RECTIFIER, 1N4004 SILICON T/R | C 5 |
| D935 | C 3533-4 | DIODE, 1N966B 16V ZENER T/R | A 5 |
| D936 | C 3533-4 | DIODE, 1N966B 16V ZENER T/R | B 5 |
| J901 | C 9885-2 | 14PIN DUAL ROW HDR .1 X.1 CTR | B 5 |
| J902 | C 7873-0 | 2POS .1 CENTER MTA HEADER TIN | B 5 |
| J903 | C 7873-0 | 2POS .1 CENTER MTA HEADER TIN | C 2 |
| K930 | C10335-5 | RELAY, 30A 24V T90 SEALED CE | C 4 |
| K931 | C10335-5 | RELAY, 30A 24V T90 SEALED CE | C 2 |
| Q930 | C 3625-8 | 2N4125 30V PNP T/R | A 1 |
| Q931 | C 7662-7 | MAC218A6 8AMP 400V TRIAC | B 1 |
| Q932 | C 3625-8 | 2N4125 30V PNP T/R | A 2 |
| Q933 | C 3625-8 | 2N4125 30V PNP T/R | B 4 |
| Q934 | C 3625-8 | 2N4125 30V PNP T/R | B 4 |
| Q935 | C 3625-8 | 2N4125 30V PNP T/R | B 4 |
| R930 | A10266-1231 | 12. KOHM .25W 5% CF T/R | B 3 |
| R931 | A10266-1831 | 18. KOHM .25W 5% CF T/R | B 3 |
| R932 | A10266-2441 | 240. KOHM .25W 5% CF T/R | B 3 |
| R933 | A10266-1231 | 12. KOHM .25W 5% CF T/R | B 3 |
| R934 | A10266-1831 | 18. KOHM .25W 5% CF T/R | B 3 |
| R935 | A10266-2441 | 240. KOHM .25W 5% CF T/R | B 4 |
| R936 | A10266-1061 | 10. MOHM .25W 5 CF25 T/R | B 2 |
| R937 | A10124-24 | WIRE, #24 SOLID BUS | B 2 |
| R938 | A10265-10021 | 10. KOHM .25W 1 MF T/R | A 2 |
| R939 | A10266-2722 | 2.7 KOHM .5W 5% CF T/R | A 1 |
| R940 | A10266-2722 | 2.7 KOHM .5W 5% CF T/R | A 1 |
| R941 | C 9930-6 | 11.8 OHM 3W 5% WW T/R | C 1 |
| R942 | C 9930-6 | 11.8 OHM 3W 5% WW T/R | C 1 |
| R943 | A10266-1811 | 180. OHM .25W 5% CF25 T/R | B 1 |
| R944 | A10265-24921 | 24.9 KOHM .25W 1% MF T/R | A 4 |
| | | | |
| | | | |
| | | | |
| | | | |
| | | | |

CROWN INTERNATIONAL INC.

1718 WEST MISHAWAKA ROAD ELKHART, INDIANA 46517 PHONE (219) 294-8000

THESE DRAWINGS AND SPECIFICATIONS ARE THE PROPERTY OF CROWN INTERNATIONAL, INC. AND SHALL NOT BE REPRODUCED, COPIED, OR USED AS THE BASIS FOR THE MANUFACTURE OR SALE OF APPARATUS OR DEVICES WITHOUT PERMISSION.

DRAWN

KLW

01-27-97

DWG. NO.

101531

SHEET 5
CONT. ON
SHEET 6

REV

A

PARTS LIST

| REF DES | C. P. N. | DESCRIPTION | MAP LOC. |
|---------|--------------|--------------------------------|----------|
| R945 | A10265-10021 | 10. KOHM .25W 1 MF T/R | A 4 |
| R946 | A10265-27411 | 2.74KOHM .25W 1% MF T/R | A 4 |
| R947 | A10265-10021 | 10. KOHM .25W 1 MF T/R | A 4 |
| R948 | A10265-10021 | 10. KOHM .25W 1 MF T/R | A 3 |
| R949 | A10265-10031 | 100. KOHM .25W 1 MF T/R | A 3 |
| R950 | A10266-5131 | 51. KOHM .25W 5 CF25 T/R | B 3 |
| R951 | A10266-2731 | 27. KOHM .25W 5 CF T/R | B 2 |
| R952 | A10266-2441 | 240. KOHM .25W 5% CF T/R | B 2 |
| R953 | A10266-2051 | 2 MOHM .25W 5 CF T/R | A 2 |
| R957 | A10265-10021 | 10. KOHM .25W 1 MF T/R | A 2 |
| R958 | 100445-1 | NTC, INRUSH CURRENT LIMITER 3A | D 5 |
| R959 | A10124-24 | WIRE, #24 SOLID BUSS | D 4 |
| R960 | A10266-5612 | 560. OHM .5W 5% CF T/R | A 4 |
| R961 | A10266-4712 | 470, 0.50W, 5%, CF | B 4 |
| R962 | | DO NOT INSTALL | B 2 |
| R963 | A10265-10021 | 10. KOHM .25W 1 MF T/R | B 4 |
| R964 | A10265-10021 | 10. KOHM .25W 1 MF T/R | B 4 |
| R965 | A10265-10021 | 10. KOHM .25W 1 MF T/R | B 4 |
| R966 | A10265-10021 | 10. KOHM .25W 1 MF T/R | B 4 |
| R967 | A10265-10021 | 10. KOHM .25W 1 MF T/R | B 4 |
| R968 | A10265-10031 | 100. KOHM .25W 1 MF T/R | B 4 |
| U930 | C 7558-7 | MC33079P QUAD LOW NOISE OP AMP | B 3 |
| U931 | C 7444-0 | LM393 DUAL COMPARATOR | B 2 |
| U932 | C 7664-3 | MOC3031 ZERO OPTO TRIAC | B 1 |
| W1 | 101031-1 | FASTON, TAB .250 PC MNT | D 4 |
| W2 | 101031-1 | FASTON, TAB .250 PC MNT | D 5 |
| W3 | 101031-1 | FASTON, TAB .250 PC MNT | D 2 |
| W4 | 101031-1 | FASTON, TAB .250 PC MNT | D 2 |
| W5 | 101031-1 | FASTON, TAB .250 PC MNT | D 1 |
| W6 | 101031-1 | FASTON, TAB .250 PC MNT | D 1 |
| W7 | 101031-1 | FASTON, TAB .250 PC MNT | D 3 |
| W8 | 101031-1 | FASTON, TAB .250 PC MNT | D 1 |
| W9 | 101031-1 | FASTON, TAB .250 PC MNT | D 2 |
| W10 | 101031-1 | FASTON, TAB .250 PC MNT | D 1 |
| W11 | 101031-1 | FASTON, TAB .250 PC MNT | D 3 |
| W12 | 101031-1 | FASTON, TAB .250 PC MNT | D 2 |
| W13 | 101031-1 | FASTON, TAB .250 PC MNT | D 3 |
| Z930 | | --- NOT USED --- | D 3 |
| Z931 | | --- NOT USED --- | D 3 |
| Z932 | | --- NOT USED --- | D 3 |
| Z933 | | --- NOT USED --- | D 3 |
| Z934 | | --- NOT USED --- | D 3 |
| Z935 | | --- NOT USED --- | D 3 |
| | | | |
| | | | |
| | | | |
| | | | |
| | | | |
| | | | |
| | | | |
| | | | |
| | | | |
| | | | |

CROWN INTERNATIONAL INC.

1718 WEST MISHAWAKA ROAD ELKHART, INDIANA 46517 PHONE (219) 294-8000

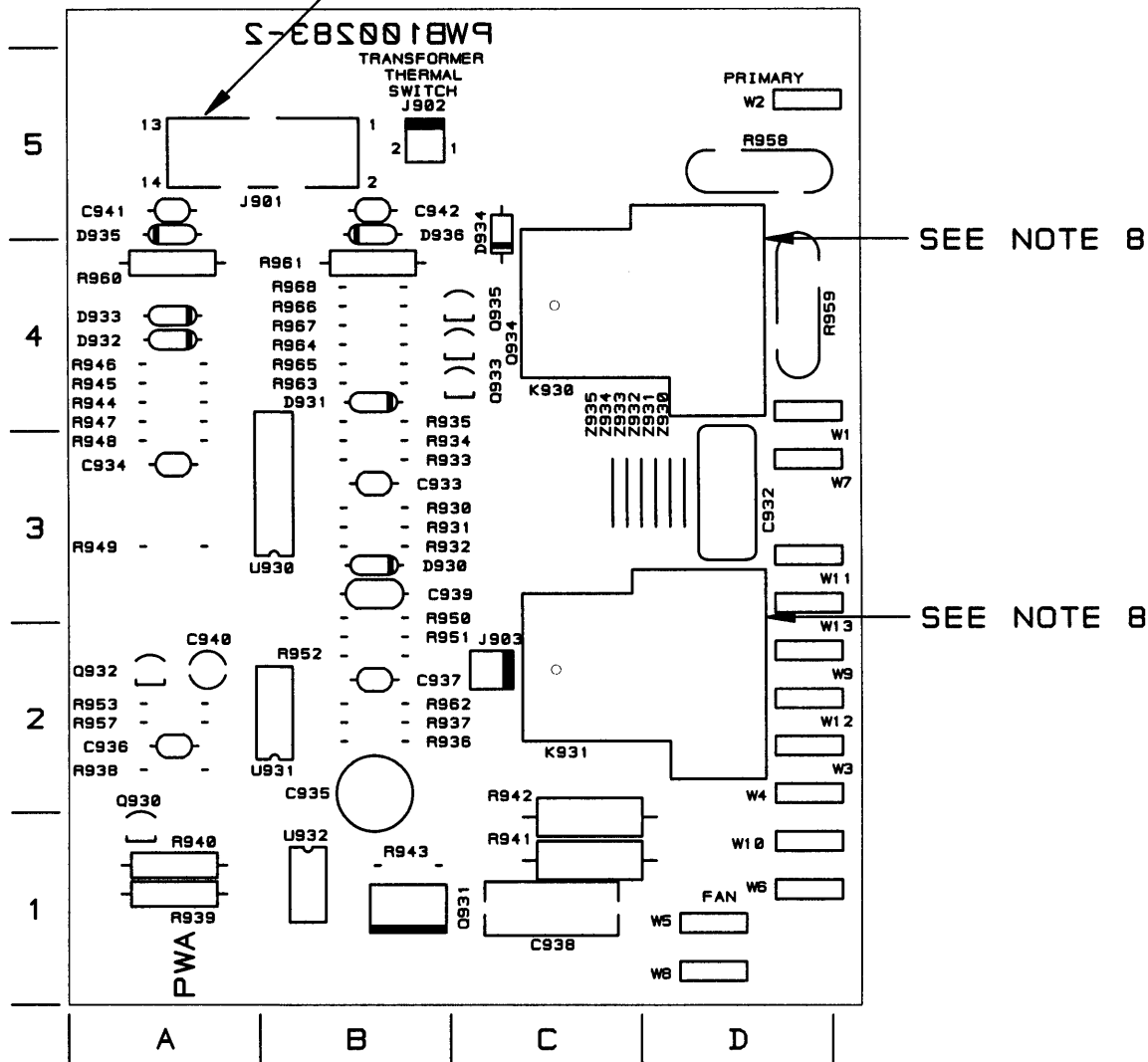
THESE DRAWINGS AND SPECIFICATIONS ARE THE PROPERTY OF CROWN INTERNATIONAL, INC. AND SHALL NOT BE REPRODUCED, COPIED, OR USED AS THE BASIS FOR THE MANUFACTURE OR SALE OF APPARATUS OR DEVICES WITHOUT PERMISSION.

| | | | | | |
|-------|------|----------|----------|------------------|-----|
| DRAWN | KLW | 01-27-97 | DWG. NO. | SHEET 6 | REV |
| PROJ. | D360 | | 101531 | CONT. ON SHEET 7 | (A) |

COMPONENT MAP

(COMPONENT SIDE VIEW)

NOTE: THIS IS THE LATCHING SIDE OF THE CONNECTOR



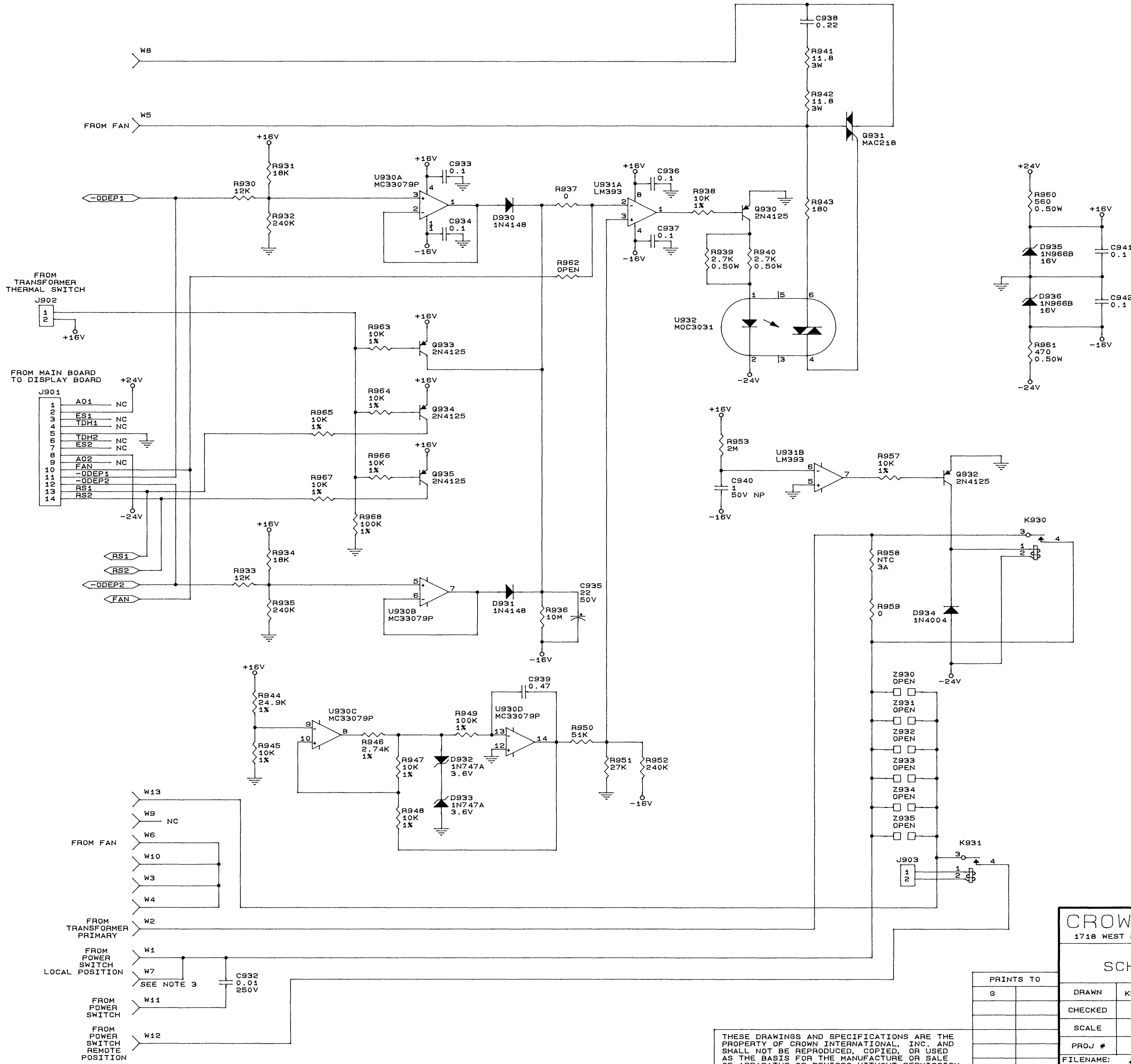
CROWN INTERNATIONAL INC.

1718 WEST MISHAWAKA ROAD ELKHART, INDIANA 46517 PHONE (219) 294-8000

THESE DRAWINGS AND SPECIFICATIONS ARE THE PROPERTY OF CROWN INTERNATIONAL, INC. AND SHALL NOT BE REPRODUCED, COPIED, OR USED AS THE BASIS FOR THE MANUFACTURE OR SALE OF APPARATUS OR DEVICES WITHOUT PERMISSION.

| | | | | | |
|-------|------|----------|----------|---------|-----|
| DRAWN | KLW | 01-27-97 | DWG. NO. | SHEET 7 | REV |
| PROJ. | D360 | | 101531 | | (A) |

| EAT # | ZONE | REV | DESCRIPTION | DATE | BY | APPROVALS |
|-------|------|-----|------------------|----------|-----|-----------------------|
| | | (A) | INITIAL RELEASE. | 02-18-97 | KLW | ME EE PE b.c. J.P. |



| LAST USED | NOT USED |
|-----------|----------|
| C942 | 930, 931 |
| D936 | |
| J903 | |
| K931 | |
| Q935 | |
| R968 | 954-956 |
| U932 | |
| W10 | |
| Z935 | |

- NOTES :
1. ALL RESISTORS ARE IN OHMS, 1/4W, 5% UNLESS OTHERWISE SPECIFIED.
 2. ALL CAPACITORS ARE IN MICROFARADS UNLESS OTHERWISE SPECIFIED.
 3. FOR ALL 120V UNITS CONNECT W7 TO W8 USING WIRE ASSEMBLY A11384-C050C.

CROWN INTERNATIONAL, INC.
1718 WEST MISHAWAKA ROAD ELKHART, IN. 46517 PHONE (219) 294-8000

SCHEMATIC; CT1610 CONTROL 120V

| PRINTS TO | | DRAWN | KLW | 02-18-97 | APPROVED BY : | DO NOT SCALE PRINT |
|-----------|--|-----------|---------------|----------|----------------|--------------------|
| 6 | | CHECKED | | | ME | SUPERSEDES 100285 |
| | | SCALE | NONE | | EE | E.C. |
| | | PROJ # | D360 | | PE | DWG. NO. 101529 |
| | | FILENAME: | 1015291A.SCMB | | NEXT ASSEMBLY: | REV (A) |

THESE DRAWINGS AND SPECIFICATIONS ARE THE PROPERTY OF CROWN INTERNATIONAL, INC. AND SHALL NOT BE REPRODUCED, COPIED, OR USED AS THE BASIS FOR THE MANUFACTURE OR SALE OF APPARATUS OR DEVICES WITHOUT PERMISSION.

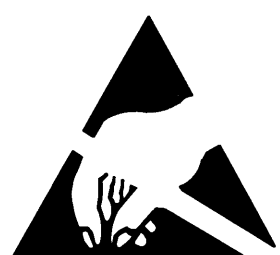
**CT1610A Control Module 100V 102827 Information On Following Pages
Documentation, Component Map, Schematic**

| E. C. N. | ZONE | REV. | DESCRIPTION | DATE | BY | APPROVALS | | | |
|----------|------|------|-----------------|----------|-----|-----------|----|----|----|
| | | | | | | CHK | ME | EE | PE |
| | | A | INITIAL RELEASE | 06/03/97 | LCD | | | | |

UNLESS OTHERWISE SPECIFIED, THE FINISHED PWA SHALL MEET:
IPC-A-610 CLASS 2

NOTES:

1. SCHEMATIC DRAWING NUMBER 102828.
2. PWB PART NUMBER 102824-1.
3. PWA PART NUMBER 102827-1.
4. ALL LEADS SHALL BE TRIMMED TO 0.093" OR LESS.
5. POSITION COMPONENTS AS SHOWN ON COMPONENT MAP.
6. THE VENT HOLE ON TOP OF THE RELAY K930 AND K931 MUST BE OPENED AFTER THE CLEANING PROCESS, BY EITHER REMOVING THE SEALING TAPE OR CUTTING OFF THE CIRCULAR TAB WITH AN "EXACTO" KNIFE OR SIMILAR CUTTING TOOL. WARNING, THIS STEP MUST BE DONE AFTER THE CLEANING PROCESS NOT BEFORE!!! WATER OR CLEANING SOLVENTS ENTERING THE RELAY VENT HOLE WILL DAMAGE THE RELAY.
7. THE CROWN PART NUMBER FOR THIS MODULE SHALL BE MARKED ON THE PRINTED CIRCUIT BOARD AND SHALL BE PERMANENT.



CAUTION

STATIC CAN DAMAGE COMPONENTS!

DO NOT HANDLE

UNLESS WRIST STRAP IS WORN

| | | | | | | | | | |
|---------------------------------|--|---|-----------------|--------------|------------------|-----------------------|--|-----------------------|--|
| CROWN INTERNATIONAL INC. | | | | | | | | | |
| PRINTS | | 1718 WEST MISHAWAKA ROAD ELKHART, INDIANA 46517 | | | | PHONE (219) 294-8000 | | | |
| K | | PWA CT1610A CONTROL 100V | | | | | | TOL. UNLESS SPECIFIED | |
| | | | | | | | | X.XX - ± 0.020 | |
| | | | | | | | | X.XXX - ± 0.010 | |
| | | | | | | | | DRILLS - ± 0.003 | |
| DRAWN | | LCD | 06/03/97 | APPROVED BY: | | DO NOT SCALE PRINT | | | |
| CHECKED | | <i>KW</i> | <i>06/04/97</i> | ME | | SUPERSEDES | | | |
| SCALE | | NONE | | EE | | E. C. N. | | | |
| PROJ # | | MD360D0 | | PE | <i>FS 6 4 97</i> | DWG. NO. SHEET 1 OF 5 | | REV | |
| NEXT ASSEMBLY | | | | | | 102827 | | (A) | |

INACTIVE
For Reference Use Only

THESE DRAWINGS AND SPECIFICATIONS ARE THE PROPERTY OF CROWN INTERNATIONAL, INC. AND SHALL NOT BE REPRODUCED, COPIED, OR USED AS THE BASIS FOR THE MANUFACTURE OR SALE OF APPARATUS OR DEVICES WITHOUT PERMISSION.

PARTS LIST

| C.P.N. | DESCRIPTION | QTY | REFERENCE DESIGNATION |
|--------------|------------------------------|-----|--|
| 102824-1 | PWB, CT10A CONTROL, . . . | 1 | 1 |
| 101031-1 | FASTON, TAB .250 PC MNT | 13 | W1, W10, W2, W3, W4, W5, W6, W7, W8, W9, W11, W12, W13 |
| 101131-1 | NTC, INRUSH CURR LIMITER 4A | 1 | R958 |
| A10124-24 | WIRE, #24 SOLID BUS | 4" | R937, R959 |
| A10265-10021 | 10. KOHM .25W 1 MF T/R | 10 | R938, R945, R947, R948, R957, R963, R964, R965, R966, R967 |
| A10265-10031 | 100. KOHM .25W 1 MF T/R | 2 | R949, R968 |
| A10265-24921 | 24.9 KOHM .25W 1% MF T/R | 1 | R944 |
| A10265-27411 | 2.74KOHM .25W 1% MF T/R | 1 | R946 |
| A10266-1061 | 10. MOHM .25W 5% CF T/R | 1 | R936 |
| A10266-1231 | 12. KOHM .25W 5% CF T/R | 2 | R930, R933 |
| A10266-1811 | 180. OHM .25W 5% CF25 T/R | 1 | R943 |
| A10266-1831 | 18. KOHM .25W 5% CF T/R | 2 | R931, R934 |
| A10266-2051 | 2 MOHM .25W 5 CF T/R | 1 | R953 |
| A10266-2441 | 240. KOHM .25W 5% CF T/R | 3 | R932, R935, R952 |
| A10266-2722 | 2.7 KOHM .5W 5% CF T/R | 2 | R939, R940 |
| A10266-2731 | 27. KOHM .25W 5 CF T/R | 1 | R951 |
| A10266-4712 | 470, 0.50W, 5%, CF | 1 | R961 |
| A10266-5131 | 51. KOHM .25W 5 CF25 T/R | 1 | R950 |
| A10266-5612 | 560. OHM .5W 5% CF T/R | 1 | R960 |
| C 2851-1 | RECTIFIER, 1N4004 SILICON T/ | 1 | D934 |
| C 3181-2 | DIODE, 1N4148 T/R | 2 | D930, D931 |
| C 3533-4 | DIODE, 1N966B 16V ZENER T/R | 2 | D935, D936 |
| C 3625-8 | 2N4125 30V PNP T/R | 5 | Q930, Q932, Q933, Q934, Q935, |
| C 5311-3 | 22UF 50V 20% NP VERT T/A | 1 | C935 |
| C 6802-0 | .47UF 50V AXIAL CER T/R 474 | 1 | C939 |
| C 6804-6 | .1UF 50V AXIAL CER T/R 104 | 6 | C933, C934, C936, C937, C941, C942 |
| C 7444-0 | LM393 DUAL COMPARATOR | 1 | U931 |
| C 7558-7 | MC33079P QUAD LOW NOISE OP A | 1 | U930 |
| C 7662-7 | MAC218A6 8AMP 400V TRIAC | 1 | Q931 |
| C 7664-3 | MOC3031 ZERO OPTO TRIAC | 1 | U932 |
| C 7873-0 | 2POS .1 CENTER MTA HEADER TI | 2 | J902, J903 |
| C 8369-8 | 1N747A 3.6V 5% ZENER .5W | 2 | D932, D933 |
| C 8554-5 | .22UF 250V 10% POLYESTER | 1 | C938 |
| C 8894-5 | 1UF 50V VERT 10% NP ELECT T/ | 1 | C940 |
| C 9592-4 | .01 250VAC UL/CSA 20% FILM | 1 | C932 |
| C 9885-2 | 14PIN DUAL ROW HDR .1 X.1 CT | 1 | J901 |
| C 9930-6 | 11.8 OHM 3W 5% WW T/R | 2 | R941, R942 |
| C10335-5 | RELAY, 30A 24V T90 SEALED CE | 2 | K930, K931 |
| | | | |
| | | | |
| | | | |
| | | | |
| | | | |
| | | | |
| | | | |
| | | | |
| | | | |
| | | | |
| | | | |
| | | | |
| | | | |
| | | | |
| | | | |
| | | | |
| | | | |
| | | | |

INACTIVE

For Reference Use Only

CROWN INTERNATIONAL INC.

1718 WEST MISHAWAKA ROAD ELKHART, INDIANA 46517 PHONE (219) 294-8000

THESE DRAWINGS AND SPECIFICATIONS ARE THE PROPERTY OF CROWN INTERNATIONAL, INC. AND SHALL NOT BE REPRODUCED, COPIED, OR USED AS THE BASIS FOR THE MANUFACTURE OR SALE OF APPARATUS OR DEVICES WITHOUT PERMISSION.

DRAWN

LCD

06/03/97

DWG. NO.

SHEET 2 OF 5

REV

PROJ.

MD360D0

102827

(A)

PARTS LIST

| REF DES | C. P. N. | DESCRIPTION | MAP LOC. |
|---------|--------------|-------------------------------|----------|
| 1 | 102824-1 | PWB, CT10 CONTROL, , , | |
| C932 | C 9592-4 | .01 250VAC UL/CSA 20% FILM | D 3 |
| C933 | C 6804-6 | .1UF 50V AXIAL CER T/R 104 | B 3 |
| C934 | C 6804-6 | .1UF 50V AXIAL CER T/R 104 | A 3 |
| C935 | C 5311-3 | 22UF 50V 20% NP VERT T/A | B 2 |
| C936 | C 6804-6 | .1UF 50V AXIAL CER T/R 104 | A 2 |
| C937 | C 6804-6 | .1UF 50V AXIAL CER T/R 104 | B 2 |
| C938 | C 8554-5 | .22UF 250V 10% POLYESTER | C 1 |
| C939 | C 6802-0 | .47UF 50V AXIAL CER T/R 474 | B 3 |
| C940 | C 8894-5 | 1UF 50V VERT 10% NP ELECT T/R | A 2 |
| C941 | C 6804-6 | .1UF 50V AXIAL CER T/R 104 | A 5 |
| C942 | C 6804-6 | .1UF 50V AXIAL CER T/R 104 | B 5 |
| D930 | C 3181-2 | DIODE, 1N4148 T/R | B 3 |
| D931 | C 3181-2 | DIODE, 1N4148 T/R | B 4 |
| D932 | C 8369-8 | 1N747A 3.6V 5% ZENER .5W | A 4 |
| D933 | C 8369-8 | 1N747A 3.6V 5% ZENER .5W | A 4 |
| D934 | C 2851-1 | RECTIFIER, 1N4004 SILICON T/R | C 5 |
| D935 | C 3533-4 | DIODE, 1N966B 16V ZENER T/R | A 5 |
| D936 | C 3533-4 | DIODE, 1N966B 16V ZENER T/R | B 5 |
| J901 | C 9885-2 | 14PIN DUAL ROW HDR .1 X.1 CTR | B 5 |
| J902 | C 7873-0 | 2POS .1 CENTER MTA HEADER TIN | B 5 |
| J903 | C 7873-0 | 2POS .1 CENTER MTA HEADER TIN | C 2 |
| K930 | C10335-5 | RELAY, 30A 24V T90 SEALED CE | C 4 |
| K931 | C10335-5 | RELAY, 30A 24V T90 SEALED CE | C 2 |
| Q930 | C 3625-8 | 2N4125 30V PNP T/R | A 1 |
| Q931 | C 7662-7 | MAC218A6 8AMP 400V TRIAC | B 1 |
| Q932 | C 3625-8 | 2N4125 30V PNP T/R | A 2 |
| Q933 | C 3625-8 | 2N4125 30V PNP T/R | B 4 |
| Q934 | C 3625-8 | 2N4125 30V PNP T/R | B 4 |
| Q935 | C 3625-8 | 2N4125 30V PNP T/R | B 4 |
| R930 | A10266-1231 | 12.KOHM .25W 5% CF T/R | B 3 |
| R931 | A10266-1831 | 18. KOHM .25W 5% CF T/R | B 3 |
| R932 | A10266-2441 | 240. KOHM .25W 5% CF T/R | B 3 |
| R933 | A10266-1231 | 12.KOHM .25W 5% CF T/R | B 3 |
| R934 | A10266-1831 | 18. KOHM .25W 5% CF T/R | B 3 |
| R935 | A10266-2441 | 240. KOHM .25W 5% CF T/R | B 4 |
| R936 | A10266-1061 | 10. MOHM .25W 5 CF25 T/R | B 2 |
| R937 | A10124-24 | WIRE, #24 SOLID BUS | B 2 |
| R938 | A10265-10021 | 10. KOHM .25W 1 MF T/R | A 2 |
| R939 | A10266-2722 | 2.7 KOHM .5W 5% CF T/R | A 1 |
| R940 | A10266-2722 | 2.7 KOHM .5W 5% CF T/R | A 1 |
| R941 | C 9930-6 | 11.8 OHM 3W 5% WW T/R | C 1 |
| R942 | C 9930-6 | 11.8 OHM 3W 5% WW T/R | C 1 |
| R943 | A10266-1811 | 180. OHM .25W 5% CF25 T/R | B 1 |
| R944 | A10265-24921 | 24.9 KOHM .25W 1% MF T/R | A 4 |
| | | | |
| | | | |
| | | | |
| | | | |
| | | | |
| | | | |
| | | | |
| | | | |
| | | | |

INACTIVE

For Reference Use Only

CROWN INTERNATIONAL INC.

1718 WEST MISHAWAKA ROAD ELKHART, INDIANA 46517 PHONE (219) 294-8000

THESE DRAWINGS AND SPECIFICATIONS ARE THE PROPERTY OF CROWN INTERNATIONAL, INC. AND SHALL NOT BE REPRODUCED, COPIED, OR USED AS THE BASIS FOR THE MANUFACTURE OR SALE OF APPARATUS OR DEVICES WITHOUT PERMISSION.

| | | | | | |
|-------|---------|----------|----------|--------------|-----|
| DRAWN | LCD | 06/03/97 | DWG. NO. | SHEET 3 OF 5 | REV |
| PROJ. | MD360D0 | | 102827 | | (A) |

PARTS LIST

| REF DES | C. P. N. | DESCRIPTION | MAP LOC. |
|---------|--------------|--------------------------------|----------|
| R945 | A10265-10021 | 10. KOHM .25W 1 MF T/R | A 4 |
| R946 | A10265-27411 | 2.74KOHM .25W 1% MF T/R | A 4 |
| R947 | A10265-10021 | 10. KOHM .25W 1 MF T/R | A 4 |
| R948 | A10265-10021 | 10. KOHM .25W 1 MF T/R | A 3 |
| R949 | A10265-10031 | 100. KOHM .25W 1 MF T/R | A 3 |
| R950 | A10266-5131 | 51. KOHM .25W 5 CF25 T/R | B 3 |
| R951 | A10266-2731 | 27. KOHM .25W 5 CF T/R | B 2 |
| R952 | A10266-2441 | 240. KOHM .25W 5% CF T/R | B 2 |
| R953 | A10266-2051 | 2 MOHM .25W 5 CF T/R | A 2 |
| R957 | A10265-10021 | 10. KOHM .25W 1 MF T/R | A 2 |
| R958 | 101131-1 | NTC, INRUSH CURRENT LIMITER 4A | D 5 |
| R959 | A10124-24 | WIRE, #24 SOLID BUSS | D 4 |
| R960 | A10266-5612 | 560. OHM .5W 5% CF T/R | A 4 |
| R961 | A10266-4712 | 470, 0.50W, 5%, CF | B 4 |
| R962 | | DO NOT INSTALL | B 2 |
| R963 | A10265-10021 | 10. KOHM .25W 1 MF T/R | B 4 |
| R964 | A10265-10021 | 10. KOHM .25W 1 MF T/R | B 4 |
| R965 | A10265-10021 | 10. KOHM .25W 1 MF T/R | B 4 |
| R966 | A10265-10021 | 10. KOHM .25W 1 MF T/R | B 4 |
| R967 | A10265-10021 | 10. KOHM .25W 1 MF T/R | B 4 |
| R968 | A10265-10031 | 100. KOHM .25W 1 MF T/R | B 4 |
| U930 | C 7558-7 | MC33079P QUAD LOW NOISE OP AMP | B 3 |
| U931 | C 7444-0 | LM393 DUAL COMPARATOR | B 2 |
| U932 | C 7664-3 | MOC3031 ZERO OPTO TRIAC | B 1 |
| W1 | 101031-1 | FASTON, TAB .250 PC MNT | D 4 |
| W2 | 101031-1 | FASTON, TAB .250 PC MNT | D 5 |
| W3 | 101031-1 | FASTON, TAB .250 PC MNT | D 2 |
| W4 | 101031-1 | FASTON, TAB .250 PC MNT | D 2 |
| W5 | 101031-1 | FASTON, TAB .250 PC MNT | D 1 |
| W6 | 101031-1 | FASTON, TAB .250 PC MNT | D 1 |
| W7 | 101031-1 | FASTON, TAB .250 PC MNT | D 3 |
| W8 | 101031-1 | FASTON, TAB .250 PC MNT | D 1 |
| W9 | 101031-1 | FASTON, TAB .250 PC MNT | D 2 |
| W10 | 101031-1 | FASTON, TAB .250 PC MNT | D 1 |
| W11 | 101031-1 | FASTON, TAB .250 PC MNT | D 3 |
| W12 | 101031-1 | FASTON, TAB .250 PC MNT | D 2 |
| W13 | 101031-1 | FASTON, TAB .250 PC MNT | D 3 |
| Z930 | | --- NOT USED --- | D 3 |
| Z931 | | --- NOT USED --- | D 3 |
| Z932 | | --- NOT USED --- | D 3 |
| Z933 | | --- NOT USED --- | D 3 |
| Z934 | | --- NOT USED --- | D 3 |
| Z935 | | --- NOT USED --- | D 3 |
| | | | |
| | | | |
| | | | |
| | | | |
| | | | |
| | | | |
| | | | |
| | | | |
| | | | |

INACTIVE
For Reference Use Only

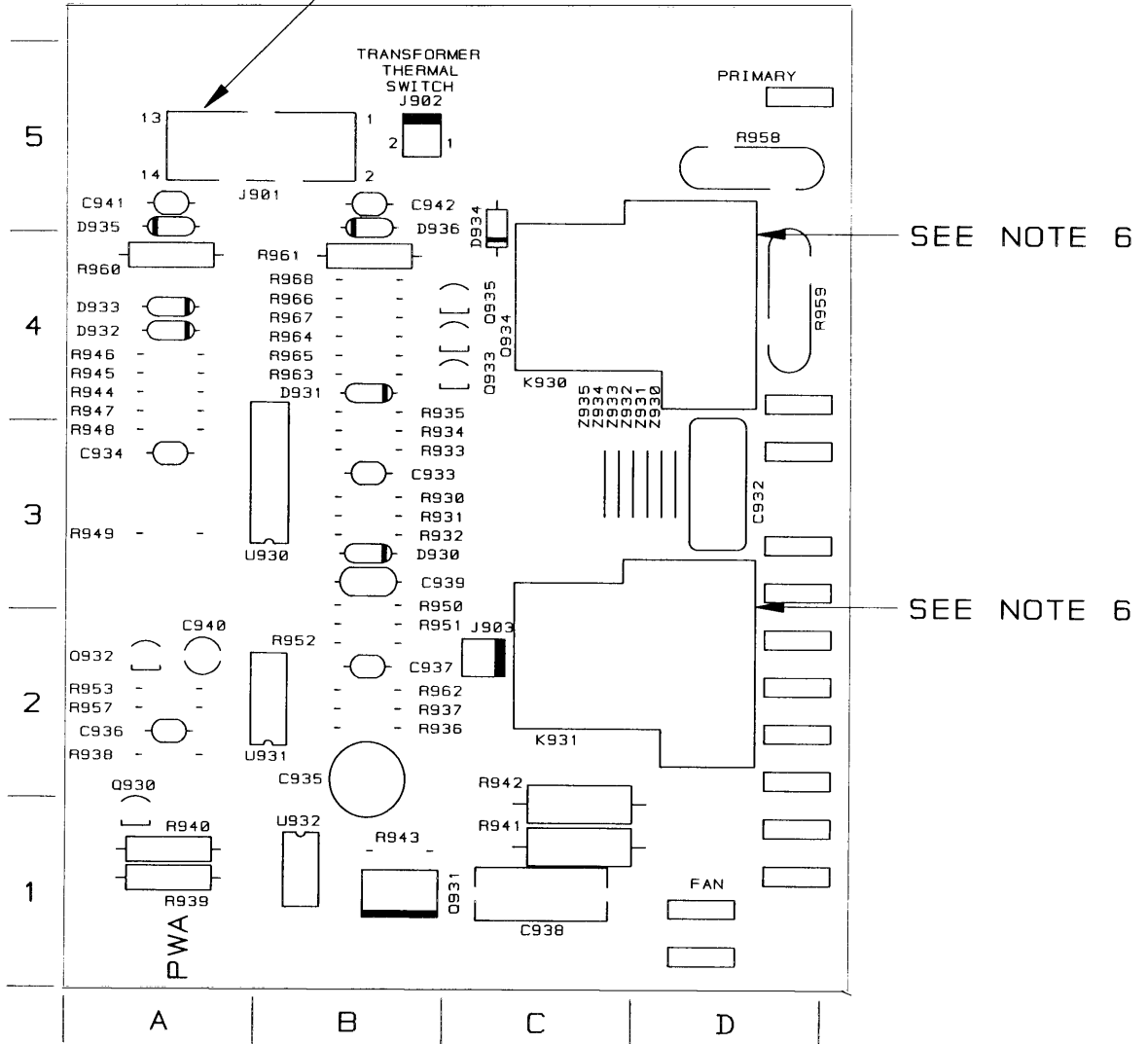
THESE DRAWINGS AND SPECIFICATIONS ARE THE PROPERTY OF CROWN INTERNATIONAL, INC. AND SHALL NOT BE REPRODUCED, COPIED, OR USED AS THE BASIS FOR THE MANUFACTURE OR SALE OF APPARATUS OR DEVICES WITHOUT PERMISSION.

| | | | | |
|---------------------------------|---------|------------------------|----------|----------------------|
| CROWN INTERNATIONAL INC. | | | | |
| 1718 WEST MISHAWAKA ROAD | | ELKHART, INDIANA 46517 | | PHONE (219) 294-8000 |
| DRAWN | LCD | 06/03/97 | DWG. NO. | SHEET 4 OF 5 |
| PROJ. | MD360D0 | | 102827 | REV (A) |

COMPONENT MAP

(COMPONENT SIDE VIEW)

NOTE: THIS IS THE LATCHING SIDE OF THE CONNECTOR



SEE NOTE 6

SEE NOTE 6

INACTIVE

For Reference Use Only

CROWN INTERNATIONAL INC.

1718 WEST MISHAWAKA ROAD ELKHART, INDIANA 46517

PHONE (219) 294-8000

THESE DRAWINGS AND SPECIFICATIONS ARE THE PROPERTY OF CROWN INTERNATIONAL, INC. AND SHALL NOT BE REPRODUCED, COPIED, OR USED AS THE BASIS FOR THE MANUFACTURE OR SALE OF APPARATUS OR DEVICES WITHOUT PERMISSION.

DRAWN LCD 06/03/97

DWG. NO.

SHEET 5 OF 5

REV

PROJ. MD360D0

102827

A


**CT1610A Control Module 100V 125417 Information On Following Pages
Documentation, Component Map, Schematic**

| E.C.N. | ZONE | REV. | DESCRIPTION | DATE | BY | APPROVALS | | | |
|---------|------|------|-------------------------|----------|-----|-----------|-----|-----|----|
| | | | | | | CHK | CM | EE | PE |
| T991758 | | A | RELEASE FOR PRODUCTION. | 09-13-99 | JAW | JIM | DSU | NIA | EB |
| | | | | | | | | | |

UNLESS OTHERWISE SPECIFIED, THE FINISHED PWA SHALL MEET:
IPC-A-610_ CLASS 2

NOTES:

1. SCHEMATIC DRAWING NUMBER 125422.
2. PRINTED WIRING BOARD PART NUMBER 125415-1.
3. ALL LEADS SHALL BE TRIMMED TO 0.093" OR LESS.
4. POSITION COMPONENTS AS SHOWN ON COMPONENT MAP.
5. THE VENT HOLE ON TOP OF THE RELAY K930 AND K931 MUST BE OPENED AFTER THE CLEANING PROCESS, BY EITHER REMOVING THE SEALING TAPE OR CUTTING OFF THE CIRCULAR TAB WITH AN "EXACTO" KNIFE OR SIMILAR CUTTING TOOL. WARNING, THIS STEP MUST BE DONE AFTER THE CLEANING PROCESS NOT BEFORE!!! WATER OR CLEANING SOLVENTS ENTERING THE RELAY VENT HOLE WILL DAMAGE THE RELAY.
6. THE CROWN PART NUMBER FOR THIS MODULE SHALL BE MARKED ON THE PRINTED CIRCUIT BOARD AND SHALL BE PERMANENT.
7. SOLDER C945 (C 6806-1) ACROSS R976 AS SHOWN ON THE COMPONENT MAP.



CAUTION

STATIC CAN DAMAGE COMPONENTS!

DO NOT HANDLE

UNLESS WRIST STRAP IS WORN

| | | | | | | | | | |
|---------------------------------|---------------------------------|---------|----------|------------------------|-----|---------|--|--------------|-----|
| CROWN INTERNATIONAL INC. | | | | | | | | | |
| PRINTS | 1718 WEST MISHAWAKA ROAD | | | ELKHART, INDIANA 46517 | | | PHONE (219) 294-8000 | | |
| K | PWA CT1610A CONTROL 100V | | | | | | TOL. UNLESS SPECIFIED X.XX = ± 0.020 X.XXX = ± 0.010 DRILLS = ± 0.003 | | |
| | DRAWN | JAW | 09-13-99 | APPROVED BY: | | | DO NOT SCALE PRINT | | |
| | CHECKED | JIM | 9-14-99 | ME | NIA | | SUPERSEDES | | |
| | SCALE | NONE | | EE | NIA | | E.C.N. | | |
| | PROJ # | MD360D0 | | PE | EB | 9-15-99 | DWG. NO. | SHEET 1 OF 5 | REV |
| NEXT ASSEMBLY | | | | | | | 125417-3 | | (A) |

THESE DRAWINGS AND SPECIFICATIONS ARE THE PROPERTY OF CROWN INTERNATIONAL, INC. AND SHALL NOT BE REPRODUCED, COPIED, OR USED AS THE BASIS FOR THE MANUFACTURE OR SALE OF APPARATUS OR DEVICES WITHOUT PERMISSION.

PARTS LIST

| C. P. N. | DESCRIPTION | QTY | REFERENCE DESIGNATION |
|--------------|------------------------------|-----|---|
| A10124-24 | WIRE, #24 SOLID BUS | 4" | R959, Z902 |
| A10265-10021 | 10K OHM 0.25W 1% MF T/R | 10 | R930, R933, R938, R957, R963, R964, R966, R969, R972, R975 |
| A10265-10031 | 100K OHM 0.25W 1% MF T/R | 1 | R968 |
| A10265-12121 | 12.1K OHM 0.25W 1% MF T/R | 2 | R970, R971 |
| A10265-20011 | 2K OHM 0.25W 1% MF T/R | 1 | R978 |
| A10265-20021 | 20K OHM 0.25W 1% MF T/R | 2 | R931, R934 |
| A10265-60431 | 604K OHM 0.25W 1% MF T/R | 1 | R977 |
| A10266-1241 | 120K OHM 0.25W 5% CF T/R | 1 | R973 |
| A10266-1811 | 180 OHM 0.25W 5% CF25 T/R | 1 | R943 |
| A10266-2051 | 2M OHM 0.25W 5% CF T/R | 1 | R953 |
| A10266-2721 | 2.7K OHM 0.25W 5% CF T/R | 2 | R965, R967 |
| A10266-2722 | 2.7K OHM 0.50W 5% CF T/R | 2 | R939, R940 |
| A10266-3351 | 3.3M OHM 0.25W 5% CF T/R | 1 | R936 |
| A10266-4321 | 4.3K OHM 0.25W 5% CF T/R | 2 | R974, R976 |
| A10266-4712 | 470 OHM 0.50W 5% CF | 1 | R961 |
| A10266-5612 | 560 OHM 0.50W 5% CF T/R | 1 | R960 |
| C 2851-1 | RECTIFIER, 1N4004 SILICON T/ | 5 | D934, D937, D938, D939, D940 |
| C 3181-2 | DIODE, 1N4148 T/R | 2 | D930, D931 |
| C 3533-4 | DIODE, 1N966B 16V ZENER T/R | 2 | D935, D936 |
| C 3549-0 | DIODE, ZENER 10V 1N5240B T/R | 1 | D941 |
| C 3625-8 | 2N4125 30V PNP T/R | 6 | Q930, Q932, Q933, Q934, Q935, Q936 |
| C 5311-3 | 22UF 50V 20% NP VERT T/A | 1 | C935 |
| C 5868-2 | 0 OHM 0.25W 20MILOHM MAX T/R | 1 | Z903 |
| C 6804-6 | .1UF 50V AXIAL CER T/R 104 | 7 | C933, C934, C936, C937, C941, C942, C943 |
| C 6806-1 | .01UF 100V AXIAL CER T/R | 1 | C945 |
| C 6812-9 | 47PF 200V 10% NPO AXL CER | 2 | C939, C944 |
| C 7444-0 | LM393 DUAL COMPARATOR | 1 | U931 |
| C 7636-1 | MC33078P DUAL LOW NOISE OP A | 1 | U930 |
| C 7665-0 | MOC3011 OPTO TRIAC | 1 | U932 |
| C 7746-8 | 3POS SGLROW HDR .025 POST G | 1 | J905 |
| C 7873-0 | 2POS .1 CENTER MTA HEADER TI | 2 | J902, J903 |
| C 8554-5 | .22UF 250V 10% POLYESTER | 1 | C938 |
| C 8894-5 | 1UF 50V VERT 10% NP ELECT T/ | 1 | C940 |
| C 9255-8 | 4N37 PHOTOXSISTOR OPTO ISOLR | 1 | U933 |
| C 9592-4 | .01 250VAC UL/CSA 20% FILM | 1 | C932 |
| C 9885-2 | 14PIN DUAL ROW HDR .1 X.1 CT | 1 | J901 |
| C 9930-6 | 11.8 OHM 3W 5% WW T/R | 2 | R941, R942 |
| C10325-6 | 2200.PF 250VAC 20% FILM Y2 | 2 | C929, C931 |
| C10326-4 | .1UF 250VAC 20% FILM X2 | 1 | C930 |
| C10335-5 | RELAY, 30A 24V T90 SEALED CE | 2 | K930, K931 |
| 101031-1 | FASTON, TAB .250 PC MNT | 13 | W1, W2, W3, W4, W5, W6, W7, W8, W9, W10, W11, W12, W13 |
| 101131-1 | NTC, INRUSH CURR LIMITER 4A | 1 | R958 |
| 125106-1 | MAC9D 8A 400V TRIAC | 1 | Q931 |
| 125158-1 | 6.8K OHM 3W 5% WW T/R | 1 | R944 |
| 125415-1 | PWB, CT10A CONTROL, . . . | 1 | |

CROWN INTERNATIONAL INC.

1718 WEST MISHAWAKA ROAD ELKHART, INDIANA 46517 PHONE (219) 294-8000

THESE DRAWINGS AND SPECIFICATIONS ARE THE PROPERTY OF CROWN INTERNATIONAL, INC. AND SHALL NOT BE REPRODUCED, COPIED, OR USED AS THE BASIS FOR THE MANUFACTURE OR SALE OF APPARATUS OR DEVICES WITHOUT PERMISSION.

| | | | |
|-------|---------|----------|----------|
| DRAWN | JAW | 09-13-99 | DWG. NO. |
| PROJ. | MD360D0 | | |

SHEET 2 OF 5

125417-3

REV

A

PARTS LIST

| REF DES | C. P. N. | DESCRIPTION | MAP LOC. |
|---------|--------------|--------------------------------|----------|
| C929 | C10325-6 | 2200.PF 250VAC 20% FILM Y2 | |
| C930 | C10326-4 | .1UF 250VAC 20% FILM X2 | |
| C931 | C10325-6 | 2200.PF 250VAC 20% FILM Y2 | |
| C932 | C 9592-4 | .01 250VAC UL/CSA 20% FILM | |
| C933 | C 6804-6 | .1UF 50V AXIAL CER T/R 104 | |
| C934 | C 6804-6 | .1UF 50V AXIAL CER T/R 104 | |
| C935 | C 5311-3 | 22UF 50V 20% NP VERT T/A | |
| C936 | C 6804-6 | .1UF 50V AXIAL CER T/R 104 | |
| C937 | C 6804-6 | .1UF 50V AXIAL CER T/R 104 | |
| C938 | C 8554-5 | .22UF 250V 10% POLYESTER | |
| C939 | C 6812-9 | 47PF 200V 10% NPO AXL CER | |
| C940 | C 8894-5 | 1UF 50V VERT 10% NP ELECT T/R | |
| C941 | C 6804-6 | .1UF 50V AXIAL CER T/R 104 | |
| C942 | C 6804-6 | .1UF 50V AXIAL CER T/R 104 | |
| C943 | C 6804-6 | .1UF 50V AXIAL CER T/R 104 | |
| C944 | C 6812-9 | 47PF 200V 10% NPO AXL CER | |
| C945 | C 6806-1 | .01UF 100V AXIAL CER T/R | |
| D930 | C 3181-2 | DIODE, 1N4148 T/R | |
| D931 | C 3181-2 | DIODE, 1N4148 T/R | |
| D934 | C 2851-1 | RECTIFIER, 1N4004 SILICON T/R | |
| D935 | C 3533-4 | DIODE, 1N966B 16V ZENER T/R | |
| D936 | C 3533-4 | DIODE, 1N966B 16V ZENER T/R | |
| D937 | C 2851-1 | RECTIFIER, 1N4004 SILICON T/R | |
| D938 | C 2851-1 | RECTIFIER, 1N4004 SILICON T/R | |
| D939 | C 2851-1 | RECTIFIER, 1N4004 SILICON T/R | |
| D940 | C 2851-1 | RECTIFIER, 1N4004 SILICON T/R | |
| D941 | C 3549-0 | DIODE, ZENER 10V 1N5240B T/R | |
| J901 | C 9885-2 | 14PIN DUAL ROW HDR .1 X.1 CTR | |
| J902 | C 7873-0 | 2POS .1 CENTER MTA HEADER TIN | |
| J903 | C 7873-0 | 2POS .1 CENTER MTA HEADER TIN | |
| J905 | C 7746-8 | 3POS SGLROW HDR .025 POST GOLD | |
| K930 | C10335-5 | RELAY, 30A 24V T90 SEALED CE | |
| K931 | C10335-5 | RELAY, 30A 24V T90 SEALED CE | |
| L930 | | --- OPEN --- | |
| Q930 | C 3625-8 | 2N4125 30V PNP T/R | |
| Q931 | 125106-1 | MAC9D 8AMP 400V TRIAC | |
| Q932 | C 3625-8 | 2N4125 30V PNP T/R | |
| Q933 | C 3625-8 | 2N4125 30V PNP T/R | |
| Q934 | C 3625-8 | 2N4125 30V PNP T/R | |
| Q935 | C 3625-8 | 2N4125 30V PNP T/R | |
| Q936 | C 3625-8 | 2N4125 30V PNP T/R | |
| R930 | A10265-10021 | 10K OHM 0.25W 1% MF T/R | |
| R931 | A10265-20021 | 20K OHM 0.25W 1% MF T/R | |
| R933 | A10265-10021 | 10K OHM 0.25W 1% MF T/R | |
| R934 | A10265-20021 | 20K OHM 0.25W 1% MF T/R | |
| R936 | A10266-3351 | 3.3M OHM 0.25W 5% CF25 T/R | |
| R938 | A10265-10021 | 10K OHM 0.25W 1% MF T/R | |
| R939 | A10266-2722 | 2.7K OHM 0.50W 5% CF T/R | |
| R940 | A10266-2722 | 2.7K OHM 0.50W 5% CF T/R | |
| R941 | C 9930-6 | 11.8 OHM 3W 5% WW T/R | |
| R942 | C 9930-6 | 11.8 OHM 3W 5% WW T/R | |

CROWN INTERNATIONAL INC.

1718 WEST MISHAWAKA ROAD ELKHART, INDIANA 46517 PHONE (219) 294-8000

THESE DRAWINGS AND SPECIFICATIONS ARE THE PROPERTY OF CROWN INTERNATIONAL, INC. AND SHALL NOT BE REPRODUCED, COPIED, OR USED AS THE BASIS FOR THE MANUFACTURE OR SALE OF APPARATUS OR DEVICES WITHOUT PERMISSION.

| | | | | | |
|-------|---------|----------|----------|--------------|-----|
| DRAWN | JAW | 09-13-99 | DWG. NO. | SHEET 3 OF 5 | REV |
| PROJ. | MD360D0 | | 125417-3 | | (A) |

PARTS LIST

| REF DES | C. P. N. | DESCRIPTION | MAP LOC. |
|---------|--------------|--------------------------------|----------|
| R943 | A10266-1811 | 180 OHM 0.25W 5% CF25 T/R | |
| R944 | 125158-1 | 6.8K OHM 3W 5% MF T/R | |
| R953 | A10266-2051 | 2M OHM 0.25W 5% CF T/R | |
| R957 | A10265-10021 | 10K OHM 0.25W 1% MF T/R | |
| R958 | 101131-1 | NTC, INRUSH CURRENT LIMITER 4A | |
| R959 | A10124-24 | WIRE, #24 SOLID BUSS | |
| R960 | A10266-5612 | 560 OHM 0.50W 5% CF T/R | |
| R961 | A10266-4712 | 470 OHM 0.50W 5% CF | |
| R963 | A10265-10021 | 10K OHM 0.25W 1% MF T/R | |
| R964 | A10265-10021 | 10K OHM 0.25W 1% MF T/R | |
| R965 | A10266-2721 | 2.7K OHM 0.25W 5% CF T/R | |
| R966 | A10265-10021 | 10K OHM 0.25W 1% MF T/R | |
| R967 | A10266-2721 | 2.7K OHM 0.25W 5% CF T/R | |
| R968 | A10265-10031 | 100K OHM 0.25W 1% MF T/R | |
| R969 | A10265-10021 | 10K OHM 0.25W 1% MF T/R | |
| R970 | A10265-12121 | 12.1K OHM 0.25W 1% CF25 T/R | |
| R971 | A10265-12121 | 12.1K OHM 0.25W 1% CF25 T/R | |
| R972 | A10265-10021 | 10K OHM 0.25W 1% MF T/R | |
| R973 | A10266-1241 | 120K OHM 0.25W 5% CF T/R | |
| R974 | A10266-4321 | 4.3K OHM 0.25W 5% CF T/R | |
| R975 | A10265-10021 | 10K OHM 0.25W 1% MF T/R | |
| R976 | A10266-4321 | 4.3K OHM 0.25W 5% CF T/R | |
| R977 | A10265-60431 | 604K OHM 0.25W 1% MF T/R | |
| R978 | A10265-20011 | 2K OHM 0.25W 1% MF T/R | |
| U930 | C 7636-1 | MC33078P DUAL LOW NOISE OP AMP | |
| U931 | C 7444-0 | LM393 DUAL COMPARATOR | |
| U932 | C 7665-0 | MOC3011 OPTO TRIAC | |
| U933 | C 9255-8 | 4N37 PHOTOXSISTOR OPTO ISOLR | |
| W1 | 101031-1 | FASTON, TAB .250 PC MNT | |
| W2 | 101031-1 | FASTON, TAB .250 PC MNT | |
| W3 | 101031-1 | FASTON, TAB .250 PC MNT | |
| W4 | 101031-1 | FASTON, TAB .250 PC MNT | |
| W5 | 101031-1 | FASTON, TAB .250 PC MNT | |
| W6 | 101031-1 | FASTON, TAB .250 PC MNT | |
| W7 | 101031-1 | FASTON, TAB .250 PC MNT | |
| W8 | 101031-1 | FASTON, TAB .250 PC MNT | |
| W9 | 101031-1 | FASTON, TAB .250 PC MNT | |
| W10 | 101031-1 | FASTON, TAB .250 PC MNT | |
| W11 | 101031-1 | FASTON, TAB .250 PC MNT | |
| W12 | 101031-1 | FASTON, TAB .250 PC MNT | |
| W13 | 101031-1 | FASTON, TAB .250 PC MNT | |
| Z902 | A10124-24 | WIRE, #24 SOLID BUSS | |
| Z903 | C 5868-2 | 0 OHM 0.25W 20MILOHM MAX T/R | |
| Z930 | | --- OPEN --- | |
| Z931 | | --- OPEN --- | |
| Z932 | | --- OPEN --- | |
| Z933 | | --- OPEN --- | |
| Z934 | | --- OPEN --- | |
| Z935 | | --- OPEN --- | |
| | 125415-1 | PWB, CT10A CONTROL, , | |

CROWN INTERNATIONAL INC.

1718 WEST MISHAWAKA ROAD ELKHART, INDIANA 46517 PHONE (219) 294-8000

THESE DRAWINGS AND SPECIFICATIONS ARE THE PROPERTY OF CROWN INTERNATIONAL, INC. AND SHALL NOT BE REPRODUCED, COPIED, OR USED AS THE BASIS FOR THE MANUFACTURE OR SALE OF APPARATUS OR DEVICES WITHOUT PERMISSION.

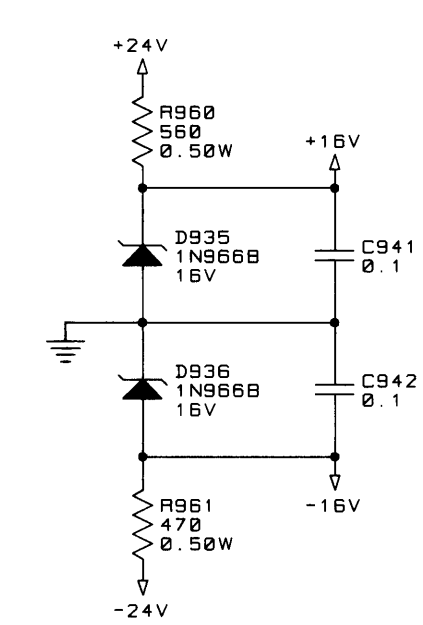
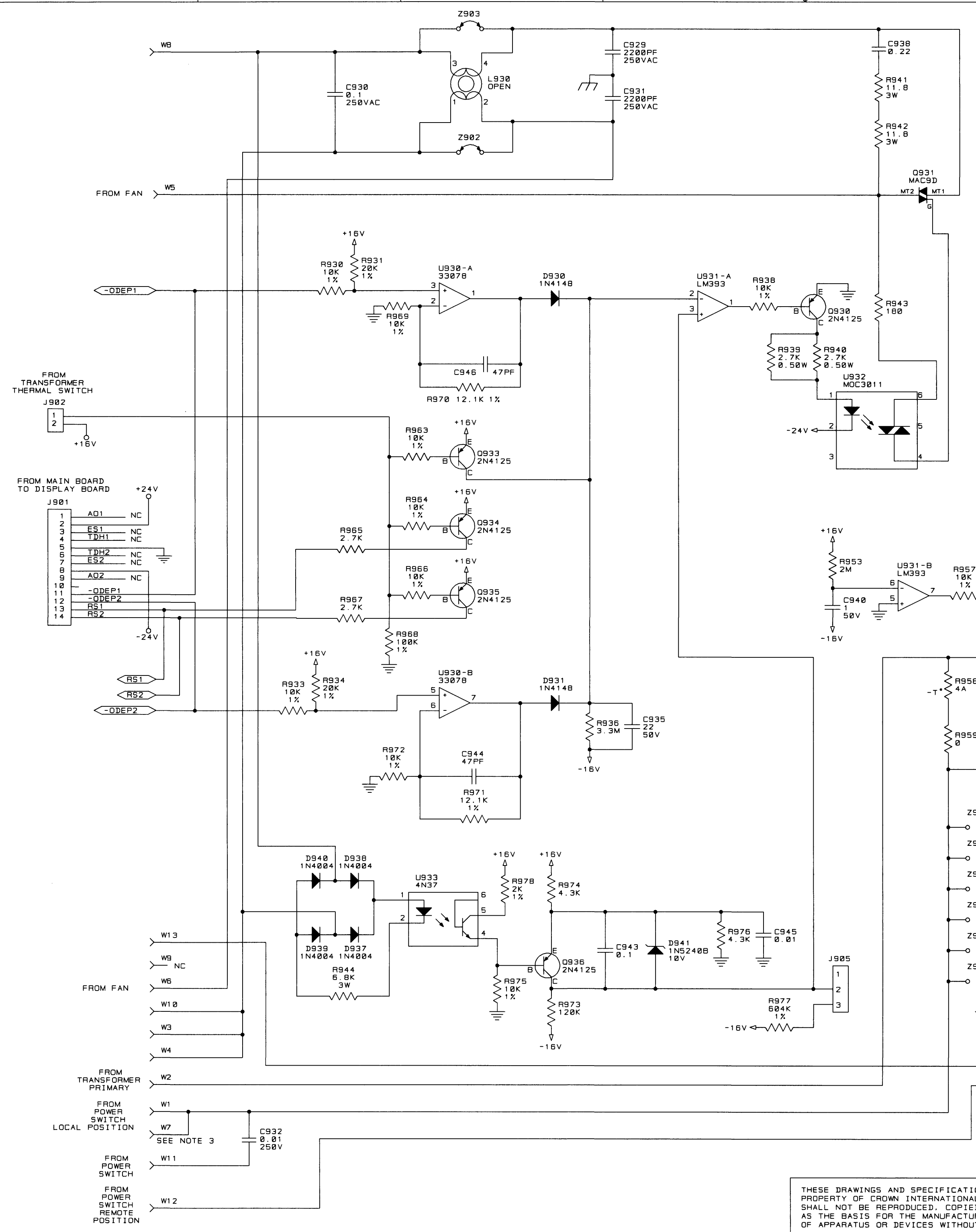
DRAWN JAW 09-13-99 DWG. NO. PROJ. MD360D0

SHEET 4 OF 5 REV

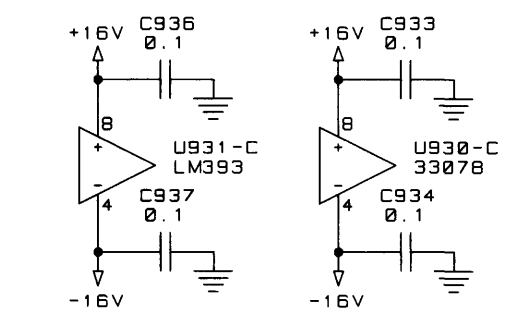
125417-3



| E. C. N. | ZONE | REV | DESCRIPTION | DATE | BY | APPROVAL | | | |
|----------|------|-----|--|----------|-----|----------|----|----|-----|
| | | | | | | CK | CM | EE | PE |
| | | A | INITIAL RELEASE. | 11-10-97 | KLW | TLM | | | EB |
| 99E0235 | | B | ADDED C945. CONVERTED SCH FROM ORCAD TO CADSTAR. | 05-27-99 | KLW | | | | N/A |



- NOTES:**
1. ALL RESISTORS ARE IN OHMS, 1/4W, 5% UNLESS OTHERWISE SPECIFIED.
 2. ALL CAPACITORS ARE IN MICROFARADS UNLESS OTHERWISE SPECIFIED.
 3. FOR ALL 120V UNITS CONNECT W7 TO W8 USING WIRE ASSEMBLY A11384-C050C.



CROWN INTERNATIONAL, INC.
 1718 W. MISHAWAKA RD. ELKHART IN. 46517 PHONE (219) 294-8000

SCHEM. CT1610A CONTROL 100V
 TOL. UNLESS SPECIFIED
 X.XX - ±0.02"
 X.XXX - ±0.010"
 DRILLS - ±0.003"

| | | | | | |
|-----------|-----------|--------------|----------|----------------|--------------------|
| PRINTS TO | DRAWN BY | KLW | 11-10-97 | APPROVED BY: | DO NOT SCALE PRINT |
| G | CHECKED | TLM | 11-13-97 | ME N/A | SUPERSEDES |
| | SCALE | NONE | | EE N/A | E.C. |
| | PROJ. # | MD36000 | | PE EB 11-14-97 | DWG. NO. |
| | FILENAME: | 125422_B.SCM | | NEXT ASSEMBLY: | 125422 |

THESE DRAWINGS AND SPECIFICATIONS ARE THE PROPERTY OF CROWN INTERNATIONAL, INC. AND SHALL NOT BE REPRODUCED, COPIED, OR USED AS THE BASIS FOR THE MANUFACTURE OR SALE OF APPARATUS OR DEVICES WITHOUT PERMISSION.

REV (B)

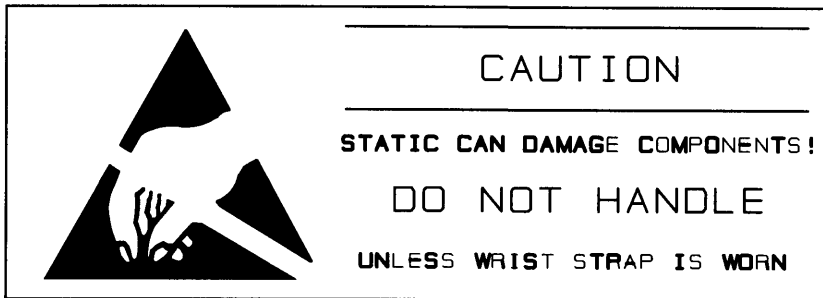
**CT1610A Control Module 120V 102829 Information On Following Pages
Documentation, Component Map, Schematic**

| E.C.N. | ZONE | REV. | DESCRIPTION | DATE | BY | APPROVALS | | | |
|--------|------|------|-----------------|----------|-----|-----------|----|----|----|
| | | | | | | CHK | ME | EE | PE |
| | | A | INITIAL RELEASE | 06/03/97 | LCD | KW | | | |

UNLESS OTHERWISE SPECIFIED, THE FINISHED PWA SHALL MEET:
IPC-A-610_ CLASS 2

NOTES:

1. SCHEMATIC DRAWING NUMBER 102830.
2. PWB PART NUMBER 102824-1.
3. PWA PART NUMBER 102829-1.
4. ALL LEADS SHALL BE TRIMMED TO 0.093" OR LESS.
5. POSITION COMPONENTS AS SHOWN ON COMPONENT MAP.
6. THE VENT HOLE ON TOP OF THE RELAY K930 AND K931 MUST BE OPENED AFTER THE CLEANING PROCESS, BY EITHER REMOVING THE SEALING TAPE OR CUTTING OFF THE CIRCULAR TAB WITH AN "EXACTO" KNIFE OR SIMILAR CUTTING TOOL. WARNING, THIS STEP MUST BE DONE AFTER THE CLEANING PROCESS NOT BEFORE!!! WATER OR CLEANING SOLVENTS ENTERING THE RELAY VENT HOLE WILL DAMAGE THE RELAY.
7. THE CROWN PART NUMBER FOR THIS MODULE SHALL BE MARKED ON THE PRINTED CIRCUIT BOARD AND SHALL BE PERMANENT.



INACTIVE
For Reference Use Only

| | | | | | | | | | |
|---------------------------------|--|---|----------|--------------|--|-----------------------|--|-----------------------|--|
| CROWN INTERNATIONAL INC. | | | | | | | | | |
| PRINTS | | 1718 WEST MISHAWAKA ROAD ELKHART, INDIANA 46517 | | | | PHONE (219) 294-8000 | | | |
| K | | PWA CT1610A CONTROL 120V | | | | | | TOL. UNLESS SPECIFIED | |
| | | | | | | X.XX = ± 0.020 | | | |
| | | | | | | X.XXX = ± 0.010 | | | |
| | | | | | | DRILLS = ± 0.003 | | | |
| DRAWN | | LCD | 06/03/97 | APPROVED BY: | | DO NOT SCALE PRINT | | | |
| CHECKED | | KW | 06-04-97 | ME | | SUPERSEDES | | | |
| SCALE | | NONE | | EE | | E.C.N. | | | |
| PROJ # | | MD360D0 | | PE | | DWG. NO. SHEET 1 OF 5 | | REV | |
| NEXT ASSEMBLY | | | | | | 102829 | | A | |

THESE DRAWINGS AND SPECIFICATIONS ARE THE PROPERTY OF CROWN INTERNATIONAL, INC. AND SHALL NOT BE REPRODUCED, COPIED, OR USED AS THE BASIS FOR THE MANUFACTURE OR SALE OF APPARATUS OR DEVICES WITHOUT PERMISSION.

PARTS LIST

| C.P.N. | DESCRIPTION | QTY | REFERENCE DESIGNATION |
|--------------|------------------------------|-----|--|
| 102824-1 | PWB, CT10A CONTROL, , , | 1 | 1 |
| 101031-1 | FASTON, TAB .250 PC MNT | 13 | W1, W10, W2, W3, W4, W5, W6, W7, W8, W9, W11, W12, W13 |
| 100445-1 | NTC, INRUSH CURR LIMITER 3A | 1 | R958 |
| A10124-24 | WIRE, #24 SOLID BUS | 4" | R937, R959 |
| A10265-10021 | 10. KOHM .25W 1 MF T/R | 10 | R938, R945, R947, R948, R957, R963, R964, R965, R966, R967 |
| A10265-10031 | 100. KOHM .25W 1 MF T/R | 2 | R949, R968 |
| A10265-24921 | 24.9 KOHM .25W 1% MF T/R | 1 | R944 |
| A10265-27411 | 2.74KOHM .25W 1% MF T/R | 1 | R946 |
| A10266-1061 | 10. MOHM .25W 5% CF T/R | 1 | R936 |
| A10266-1231 | 12.KOHM .25W 5% CF T/R | 2 | R930, R933 |
| A10266-1811 | 180. OHM .25W 5% CF25 T/R | 1 | R943 |
| A10266-1831 | 18. KOHM .25W 5% CF T/R | 2 | R931, R934 |
| A10266-2051 | 2 MOHM .25W 5 CF T/R | 1 | R953 |
| A10266-2441 | 240. KOHM .25W 5% CF T/R | 3 | R932, R935, R952 |
| A10266-2722 | 2.7 KOHM .5W 5% CF T/R | 2 | R939, R940 |
| A10266-2731 | 27. KOHM .25W 5 CF T/R | 1 | R951 |
| A10266-4712 | 470, 0.50W, 5%, CF | 1 | R961 |
| A10266-5131 | 51. KOHM .25W 5 CF25 T/R | 1 | R950 |
| A10266-5612 | 560. OHM .5W 5% CF T/R | 1 | R960 |
| C 2851-1 | RECTIFIER, 1N4004 SILICON T/ | 1 | D934 |
| C 3181-2 | DIODE, 1N4148 T/R | 2 | D930, D931 |
| C 3533-4 | DIODE, 1N966B 16V ZENER T/R | 2 | D935, D936 |
| C 3625-8 | 2N4125 30V PNP T/R | 5 | Q930, Q932, Q933, Q934, Q935, |
| C 5311-3 | 22UF 50V 20% NP VERT T/A | 1 | C935 |
| C 6802-0 | .47UF 50V AXIAL CER T/R 474 | 1 | C939 |
| C 6804-6 | .1UF 50V AXIAL CER T/R 104 | 6 | C933, C934, C936, C937, C941, C942 |
| C 7444-0 | LM393 DUAL COMPARATOR | 1 | U931 |
| C 7558-7 | MC33079P QUAD LOW NOISE OP A | 1 | U930 |
| C 7662-7 | MAC218A6 8AMP 400V TRIAC | 1 | Q931 |
| C 7664-3 | MOC3031 ZERO OPTO TRIAC | 1 | U932 |
| C 7873-0 | 2POS .1 CENTER MTA HEADER TI | 2 | J902, J903 |
| C 8369-8 | 1N747A 3.6V 5% ZENER .5W | 2 | D932, D933 |
| C 8554-5 | .22UF 250V 10% POLYESTER | 1 | C938 |
| C 8894-5 | 1UF 50V VERT 10% NP ELECT T/ | 1 | C940 |
| C 9592-4 | .01 250VAC UL/CSA 20% FILM | 1 | C932 |
| C 9885-2 | 14PIN DUAL ROW HDR .1 X.1 CT | 1 | J901 |
| C 9930-6 | 11.8 OHM 3W 5% WW T/R | 2 | R941, R942 |
| C10335-5 | RELAY, 30A 24V T90 SEALED CE | 2 | K930, K931 |
| | | | |
| | | | |
| | | | |
| | | | |
| | | | |
| | | | |
| | | | |
| | | | |
| | | | |
| | | | |
| | | | |
| | | | |
| | | | |
| | | | |
| | | | |
| | | | |
| | | | |

INACTIVE

For Reference Use Only

| | | | |
|---------------------------------|---------|------------------------|----------------------|
| CROWN INTERNATIONAL INC. | | | |
| 1718 WEST MISHAWAKA ROAD | | ELKHART, INDIANA 46517 | PHONE (219) 294-8000 |
| DRAWN | LCD | 06/03/97 | DWG. NO. |
| PROJ. | MD360D0 | | 102829 |
| | | | SHEET 2 OF 5 |
| | | | REV (A) |

THESE DRAWINGS AND SPECIFICATIONS ARE THE PROPERTY OF CROWN INTERNATIONAL, INC. AND SHALL NOT BE REPRODUCED, COPIED, OR USED AS THE BASIS FOR THE MANUFACTURE OR SALE OF APPARATUS OR DEVICES WITHOUT PERMISSION.

PARTS LIST

| REF DES | C. P. N. | DESCRIPTION | MAP LOC. |
|---------|--------------|-------------------------------|----------|
| 1 | 102824-1 | PWB. CT10A CONTROL, . . . | |
| C932 | C 9592-4 | .01 250VAC UL/CSA 20% FILM | D 3 |
| C933 | C 6804-6 | .1UF 50V AXIAL CER T/R 104 | B 3 |
| C934 | C 6804-6 | .1UF 50V AXIAL CER T/R 104 | A 3 |
| C935 | C 5311-3 | 22UF 50V 20% NP VERT T/A | B 2 |
| C936 | C 6804-6 | .1UF 50V AXIAL CER T/R 104 | A 2 |
| C937 | C 6804-6 | .1UF 50V AXIAL CER T/R 104 | B 2 |
| C938 | C 8554-5 | .22UF 250V 10% POLYESTER | C 1 |
| C939 | C 6802-0 | .47UF 50V AXIAL CER T/R 474 | B 3 |
| C940 | C 8894-5 | 1UF 50V VERT 10% NP ELECT T/R | A 2 |
| C941 | C 6804-6 | .1UF 50V AXIAL CER T/R 104 | A 5 |
| C942 | C 6804-6 | .1UF 50V AXIAL CER T/R 104 | B 5 |
| D930 | C 3181-2 | DIODE, 1N4148 T/R | B 3 |
| D931 | C 3181-2 | DIODE, 1N4148 T/R | B 4 |
| D932 | C 8369-8 | 1N747A 3.6V 5% ZENER .5W | A 4 |
| D933 | C 8369-8 | 1N747A 3.6V 5% ZENER .5W | A 4 |
| D934 | C 2851-1 | RECTIFIER, 1N4004 SILICON T/R | C 5 |
| D935 | C 3533-4 | DIODE, 1N966B 16V ZENER T/R | A 5 |
| D936 | C 3533-4 | DIODE, 1N966B 16V ZENER T/R | B 5 |
| J901 | C 9885-2 | 14PIN DUAL ROW HDR .1 X.1 CTR | B 5 |
| J902 | C 7873-0 | 2POS .1 CENTER MTA HEADER TIN | B 5 |
| J903 | C 7873-0 | 2POS .1 CENTER MTA HEADER TIN | C 2 |
| K930 | C10335-5 | RELAY, 30A 24V T90 SEALED CE | C 4 |
| K931 | C10335-5 | RELAY, 30A 24V T90 SEALED CE | C 2 |
| Q930 | C 3625-8 | 2N4125 30V PNP T/R | A 1 |
| Q931 | C 7662-7 | MAC218A6 8AMP 400V TRIAC | B 1 |
| Q932 | C 3625-8 | 2N4125 30V PNP T/R | A 2 |
| Q933 | C 3625-8 | 2N4125 30V PNP T/R | B 4 |
| Q934 | C 3625-8 | 2N4125 30V PNP T/R | B 4 |
| Q935 | C 3625-8 | 2N4125 30V PNP T/R | B 4 |
| R930 | A10266-1231 | 12.KOHM .25W 5% CF T/R | B 3 |
| R931 | A10266-1831 | 18. KOHM .25W 5% CF T/R | B 3 |
| R932 | A10266-2441 | 240. KOHM .25W 5% CF T/R | B 3 |
| R933 | A10266-1231 | 12.KOHM .25W 5% CF T/R | B 3 |
| R934 | A10266-1831 | 18. KOHM .25W 5% CF T/R | B 3 |
| R935 | A10266-2441 | 240. KOHM .25W 5% CF T/R | B 4 |
| R936 | A10266-1061 | 10. MOHM .25W 5 CF25 T/R | B 2 |
| R937 | A10124-24 | WIRE, #24 SOLID BUS | B 2 |
| R938 | A10265-10021 | 10. KOHM .25W 1 MF T/R | A 2 |
| R939 | A10266-2722 | 2.7 KOHM .5W 5% CF T/R | A 1 |
| R940 | A10266-2722 | 2.7 KOHM .5W 5% CF T/R | A 1 |
| R941 | C 9930-6 | 11.8 OHM 3W 5% WW T/R | C 1 |
| R942 | C 9930-6 | 11.8 OHM 3W 5% WW T/R | C 1 |
| R943 | A10266-1811 | 180. OHM .25W 5% CF25 T/R | B 1 |
| R944 | A10265-24921 | 24.9 KOHM .25W 1% MF T/R | A 4 |
| | | | |
| | | | |
| | | | |
| | | | |
| | | | |

INACTIVE

For Reference Use Only

CROWN INTERNATIONAL INC.

1718 WEST MISHAWAKA ROAD ELKHART, INDIANA 46517 PHONE (219) 294-8000

THESE DRAWINGS AND SPECIFICATIONS ARE THE PROPERTY OF CROWN INTERNATIONAL, INC. AND SHALL NOT BE REPRODUCED, COPIED, OR USED AS THE BASIS FOR THE MANUFACTURE OR SALE OF APPARATUS OR DEVICES WITHOUT PERMISSION.

| | | | | | |
|-------|---------|----------|----------|--------------|-----|
| DRAWN | LCD | 06/03/97 | DWG. NO. | SHEET 3 OF 5 | REV |
| PROJ. | MD360D0 | | 102829 | | (A) |

PARTS LIST

| REF DES | C. P. N. | DESCRIPTION | MAP LOC. |
|---------|--------------|--------------------------------|----------|
| R945 | A10265-10021 | 10. KOHM .25W 1 MF T/R | A 4 |
| R946 | A10265-27411 | 2.74KOHM .25W 1% MF T/R | A 4 |
| R947 | A10265-10021 | 10. KOHM .25W 1 MF T/R | A 4 |
| R948 | A10265-10021 | 10. KOHM .25W 1 MF T/R | A 3 |
| R949 | A10265-10031 | 100. KOHM .25W 1 MF T/R | A 3 |
| R950 | A10266-5131 | 51. KOHM .25W 5 CF25 T/R | B 3 |
| R951 | A10266-2731 | 27. KOHM .25W 5 CF T/R | B 2 |
| R952 | A10266-2441 | 240. KOHM .25W 5% CF T/R | B 2 |
| R953 | A10266-2051 | 2 MOHM .25W 5 CF T/R | A 2 |
| R957 | A10265-10021 | 10. KOHM .25W 1 MF T/R | A 2 |
| R958 | 100445-1 | NTC, INRUSH CURRENT LIMITER 3A | D 5 |
| R959 | A10124-24 | WIRE, #24 SOLID BUSS | D 4 |
| R960 | A10266-5612 | 560. OHM .5W 5% CF T/R | A 4 |
| R961 | A10266-4712 | 470, 0.50W, 5%, CF | B 4 |
| R962 | | DO NOT INSTALL | B 2 |
| R963 | A10265-10021 | 10. KOHM .25W 1 MF T/R | B 4 |
| R964 | A10265-10021 | 10. KOHM .25W 1 MF T/R | B 4 |
| R965 | A10265-10021 | 10. KOHM .25W 1 MF T/R | B 4 |
| R966 | A10265-10021 | 10. KOHM .25W 1 MF T/R | B 4 |
| R967 | A10265-10021 | 10. KOHM .25W 1 MF T/R | B 4 |
| R968 | A10265-10031 | 100. KOHM .25W 1 MF T/R | B 4 |
| U930 | C 7558-7 | MC33079P QUAD LOW NOISE OP AMP | B 3 |
| U931 | C 7444-0 | LM393 DUAL COMPARATOR | B 2 |
| U932 | C 7664-3 | MOC3031 ZERO OPTO TRIAC | B 1 |
| W1 | 101031-1 | FASTON, TAB .250 PC MNT | D 4 |
| W2 | 101031-1 | FASTON, TAB .250 PC MNT | D 5 |
| W3 | 101031-1 | FASTON, TAB .250 PC MNT | D 2 |
| W4 | 101031-1 | FASTON, TAB .250 PC MNT | D 2 |
| W5 | 101031-1 | FASTON, TAB .250 PC MNT | D 1 |
| W6 | 101031-1 | FASTON, TAB .250 PC MNT | D 1 |
| W7 | 101031-1 | FASTON, TAB .250 PC MNT | D 3 |
| W8 | 101031-1 | FASTON, TAB .250 PC MNT | D 1 |
| W9 | 101031-1 | FASTON, TAB .250 PC MNT | D 2 |
| W10 | 101031-1 | FASTON, TAB .250 PC MNT | D 1 |
| W11 | 101031-1 | FASTON, TAB .250 PC MNT | D 3 |
| W12 | 101031-1 | FASTON, TAB .250 PC MNT | D 2 |
| W13 | 101031-1 | FASTON, TAB .250 PC MNT | D 3 |
| Z930 | | --- NOT USED --- | D 3 |
| Z931 | | --- NOT USED --- | D 3 |
| Z932 | | --- NOT USED --- | D 3 |
| Z933 | | --- NOT USED --- | D 3 |
| Z934 | | --- NOT USED --- | D 3 |
| Z935 | | --- NOT USED --- | D 3 |
| | | | |
| | | | |
| | | | |
| | | | |
| | | | |
| | | | |
| | | | |
| | | | |

INACTIVE

For Reference Use Only

CROWN INTERNATIONAL INC.

1718 WEST MISHAWAKA ROAD ELKHART, INDIANA 46517 PHONE (219) 294-8000

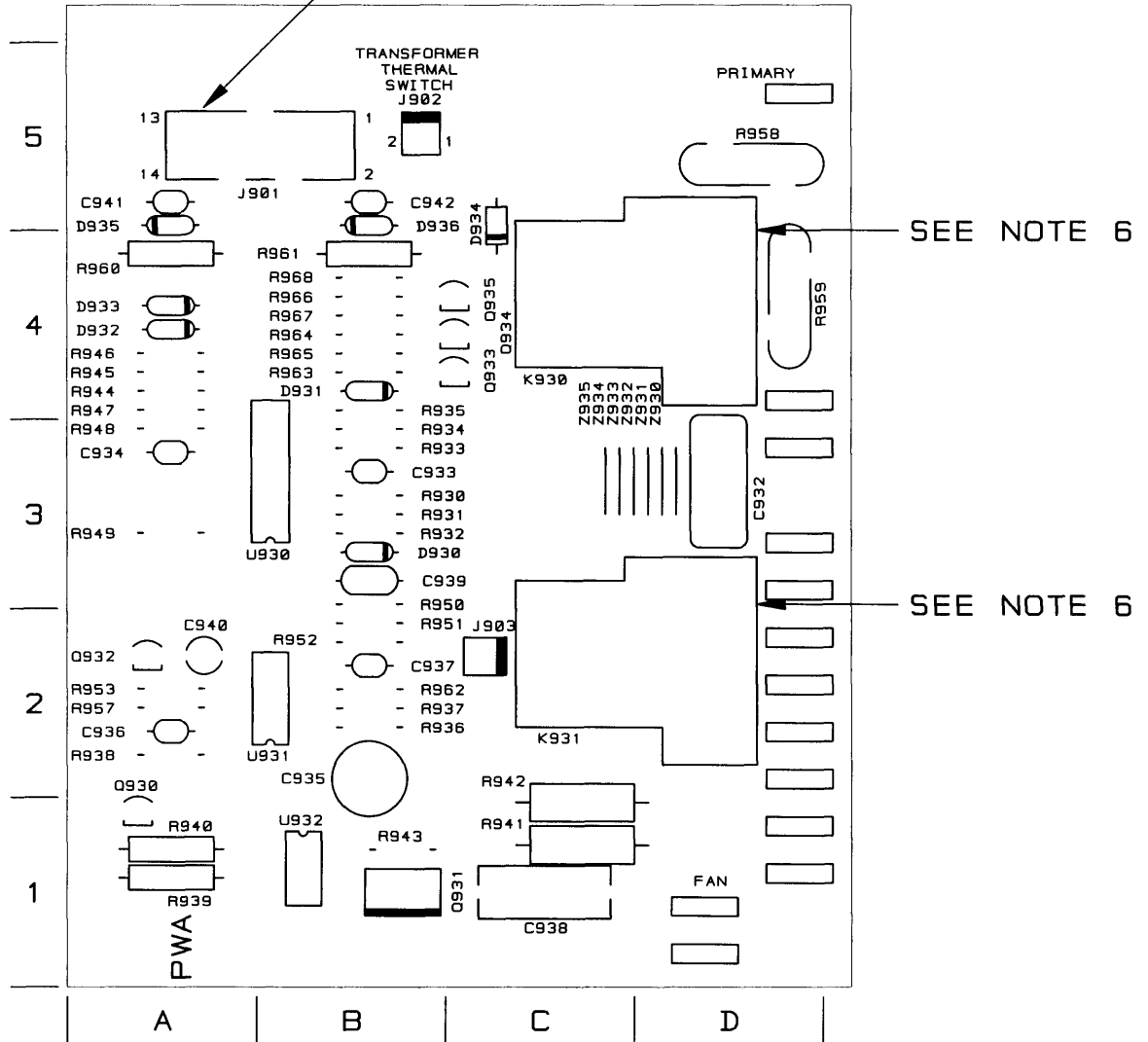
THESE DRAWINGS AND SPECIFICATIONS ARE THE PROPERTY OF CROWN INTERNATIONAL, INC. AND SHALL NOT BE REPRODUCED, COPIED, OR USED AS THE BASIS FOR THE MANUFACTURE OR SALE OF APPARATUS OR DEVICES WITHOUT PERMISSION.

| | | | | | |
|-------|---------|----------|----------|--------------|-----|
| DRAWN | LCD | 06/03/97 | DWG. NO. | SHEET 4 OF 5 | REV |
| PROJ. | MD360D0 | | 102829 | | (A) |

COMPONENT MAP

(COMPONENT SIDE VIEW)

NOTE: THIS IS THE LATCHING SIDE OF THE CONNECTOR



INACTIVE
For Reference Use Only

| | | | | |
|---------------------------------|---------|------------------------|----------|----------------------|
| CROWN INTERNATIONAL INC. | | | | |
| 1718 WEST MISHAWAKA ROAD | | ELKHART, INDIANA 46517 | | PHONE (219) 294-8000 |
| DRAWN | LCD | 06/03/97 | DWG. NO. | SHEET 5 OF 5 |
| PROJ. | MD360D0 | 102829 | | REV (A) |

THESE DRAWINGS AND SPECIFICATIONS ARE THE PROPERTY OF CROWN INTERNATIONAL, INC. AND SHALL NOT BE REPRODUCED, COPIED, OR USED AS THE BASIS FOR THE MANUFACTURE OR SALE OF APPARATUS OR DEVICES WITHOUT PERMISSION.


**CT1610A Control Module 120V 125418 Information On Following Pages
Documentation, Component Map, Schematic**

| E.C.N. | ZONE | REV. | DESCRIPTION | DATE | BY | APPROVALS | | | |
|--------|------|------|-----------------|----------|-----|------------|----|----|-----------|
| | | | | | | CHK | ME | EE | PE |
| | | A | INITIAL RELEASE | 11-04-97 | KLW | <i>KLW</i> | | | <i>EB</i> |

UNLESS OTHERWISE SPECIFIED, THE FINISHED PWA SHALL MEET:
IPC-A-610 CLASS 2

NOTES:

1. SCHEMATIC DRAWING NUMBER 125423.
2. PRINTED WIRING BOARD PART NUMBER 125415-1.
3. PRINTED WIRING ASSEMBLY PART NUMBER 125418-1.
4. ALL LEADS SHALL BE TRIMMED TO 0.093" OR LESS.
5. POSITION COMPONENTS AS SHOWN ON COMPONENT MAP.
6. THE VENT HOLE ON TOP OF THE RELAY K930 AND K931 MUST BE OPENED AFTER THE CLEANING PROCESS, BY EITHER REMOVING THE SEALING TAPE OR CUTTING OFF THE CIRCULAR TAB WITH AN "EXACTO" KNIFE OR SIMILAR CUTTING TOOL. WARNING, THIS STEP MUST BE DONE AFTER THE CLEANING PROCESS NOT BEFORE!!! WATER OR CLEANING SOLVENTS ENTERING THE RELAY VENT HOLE WILL DAMAGE THE RELAY.
7. THE CROWN PART NUMBER FOR THIS MODULE SHALL BE MARKED ON THE PRINTED CIRCUIT BOARD AND SHALL BE PERMANENT.



CAUTION

STATIC CAN DAMAGE COMPONENTS!

DO NOT HANDLE

UNLESS WRIST STRAP IS WORN

| | | | | | | | | | |
|---------------------------------|---|---------------------|----------|--------------|--------------------|----------------------|-----------------------|---|-----|
| CROWN INTERNATIONAL INC. | | | | | | | | | |
| PRINTS | 1718 WEST MISHAWAKA ROAD ELKHART, INDIANA 46517 | | | | | PHONE (219) 294-8000 | | | |
| K | PWA CT1610A CONTROL 120V | | | | | | TOL. UNLESS SPECIFIED | | |
| | | | | | | X.XX - ± 0.020 | | | |
| | | | | | | X.XXX - ± 0.010 | | | |
| | | | | | | DRILLS - ± 0.003 | | | |
| | DRAWN | KLW | 11-04-97 | APPROVED BY: | | DO NOT SCALE PRINT | | | |
| | CHECKED | <i>KLW</i> 11-11-97 | | ME | | SUPERSEDES | | | |
| | SCALE | NONE | | | EE | E.C.N. | | | |
| | PROJ # | MD360D0 | | PE | <i>EB</i> 11-11-97 | | DWG. NO. SHEET 1 OF 5 | | REV |
| NEXT ASSEMBLY | | | | | | 125418 | | A | |

INACTIVE
For Reference Use Only

THESE DRAWINGS AND SPECIFICATIONS ARE THE PROPERTY OF CROWN INTERNATIONAL, INC. AND SHALL NOT BE REPRODUCED, COPIED, OR USED AS THE BASIS FOR THE MANUFACTURE OR SALE OF APPARATUS OR DEVICES WITHOUT PERMISSION.

PARTS LIST

| C.P.N. | DESCRIPTION | QTY | REFERENCE DESIGNATION |
|--------------|------------------------------|-----|--|
| A10124-24 | WIRE, #24 SOLID BUS | 6" | R959, Z902, Z903 |
| A10265-10021 | 10K OHM 0.25W 1% MF T/R | 10 | R930, R933, R938, R957, R963, R964, R966, R969, R972, R975 |
| A10265-10031 | 100K OHM 0.25W 1% MF T/R | 1 | R968 |
| A10265-12121 | 12.1K OHM 0.25W 1% MF T/R | 2 | R970, R971 |
| A10265-20011 | 2K OHM 0.25W 1% MF T/R | 1 | R978 |
| A10265-20021 | 20K OHM 0.25W 1% MF T/R | 2 | R931, R934 |
| A10265-60431 | 604K OHM 0.25W 1% MF T/R | 1 | R977 |
| A10266-1241 | 120K OHM 0.25W 5% CF T/R | 1 | R973 |
| A10266-1811 | 180 OHM 0.25W 5% CF25 T/R | 1 | R943 |
| A10266-2051 | 2M OHM 0.25W 5% CF T/R | 1 | R953 |
| A10266-2721 | 2.7K OHM 0.25W 5% CF T/R | 2 | R965, R967 |
| A10266-2722 | 2.7K OHM 0.50W 5% CF T/R | 2 | R939, R940 |
| A10266-3351 | 3.3M OHM 0.25W 5% CF T/R | 1 | R936 |
| A10266-4321 | 4.3K OHM 0.25W 5% CF T/R | 2 | R974, R976 |
| A10266-4712 | 470 OHM 0.50W 5% CF | 1 | R961 |
| A10266-5612 | 560 OHM 0.50W 5% CF T/R | 1 | R960 |
| C 2851-1 | RECTIFIER, 1N4004 SILICON T/ | 5 | D934, D937, D938, D939, D940 |
| C 3181-2 | DIODE, 1N4148 T/R | 2 | D930, D931 |
| C 3533-4 | DIODE, 1N966B 16V ZENER T/R | 2 | D935, D936 |
| C 3549-0 | DIODE, ZENER 10V 1N5240B T/R | 1 | D941 |
| C 3625-8 | 2N4125 30V PNP T/R | 6 | Q930, Q932, Q933, Q934, Q935, Q936 |
| C 5311-3 | 22UF 50V 20% NP VERT T/A | 1 | C935 |
| C 6804-6 | .1UF 50V AXIAL CER T/R 104 | 7 | C933, C934, C936, C937, C941, C942, C943 |
| C 6812-9 | 47PF 200V 10% NPO AXL CER | 2 | C939, C944 |
| C 7444-0 | LM393 DUAL COMPARATOR | 1 | U931 |
| C 7636-1 | MC33078P DUAL LOW NOISE OP A | 1 | U930 |
| C 7665-0 | MOC3011 OPTO TRIAC | 1 | U932 |
| C 7746-8 | 3POS SGLROW HDR .025 POST G | 1 | J905 |
| C 7873-0 | 2POS .1 CENTER MTA HEADER TI | 2 | J902, J903 |
| C 8554-5 | .22UF 250V 10% POLYESTER | 1 | C938 |
| C 8894-5 | 1UF 50V VERT 10% NP ELECT T/ | 1 | C940 |
| C 9255-8 | 4N37 PHOTOXSISTOR OPTO ISOLR | 1 | U933 |
| C 9592-4 | .01 250VAC UL/CSA 20% FILM | 1 | C932 |
| C 9885-2 | 14PIN DUAL ROW HDR .1 X.1 CT | 1 | J901 |
| C 9930-6 | 11.8 OHM 3W 5% WW T/R | 2 | R941, R942 |
| C10325-6 | 2200.PF 250VAC 20% FILM Y2 | 2 | C929, C931 |
| C10326-4 | .1UF 250VAC 20% FILM X2 | 1 | C930 |
| C10335-5 | RELAY, 30A 24V T90 SEALED CE | 2 | K930, K931 |
| 100445-1 | NTC, INRUSH CURR LIMITER 3A | 1 | R958 |
| 101031-1 | FASTON, TAB .250 PC MNT | 13 | W1, W2, W3, W4, W5, W6, W7, W8, W9, W10, W11, W12, W13 |
| 125106-1 | MAC9D 8A 400V TRIAC | 1 | Q931 |
| 125158-1 | 6.8K OHM 3W 5% WW T/R | 1 | R944 |
| 125415-1 | PWB, CT10A CONTROL, , , | 1 | |

INACTIVE

For Reference Use Only

CROWN INTERNATIONAL INC.

1718 WEST MISHAWAKA ROAD ELKHART, INDIANA 46517 PHONE (219) 294-8000

THESE DRAWINGS AND SPECIFICATIONS ARE THE PROPERTY OF CROWN INTERNATIONAL, INC. AND SHALL NOT BE REPRODUCED, COPIED, OR USED AS THE BASIS FOR THE MANUFACTURE OR SALE OF APPARATUS OR DEVICES WITHOUT PERMISSION.

| | | | | | |
|-------|---------|----------|----------|--------------|-----|
| DRAWN | KLW | 11-04-97 | DWG. NO. | SHEET 2 OF 5 | REV |
| PROJ. | MD360D0 | | 125418 | | (A) |

PARTS LIST

| REF DES | C. P. N. | DESCRIPTION | MAP LOC. |
|---------|--------------|--------------------------------|----------|
| C929 | C10325-6 | 2200.PF 250VAC 20% FILM Y2 | |
| C930 | C10326-4 | .1UF 250VAC 20% FILM X2 | |
| C931 | C10325-6 | 2200.PF 250VAC 20% FILM Y2 | |
| C932 | C 9592-4 | .01 250VAC UL/CSA 20% FILM | |
| C933 | C 6804-6 | .1UF 50V AXIAL CER T/R 104 | |
| C934 | C 6804-6 | .1UF 50V AXIAL CER T/R 104 | |
| C935 | C 5311-3 | 22UF 50V 20% NP VERT T/A | |
| C936 | C 6804-6 | .1UF 50V AXIAL CER T/R 104 | |
| C937 | C 6804-6 | .1UF 50V AXIAL CER T/R 104 | |
| C938 | C 8554-5 | .22UF 250V 10% POLYESTER | |
| C939 | C 6812-9 | 47PF 200V 10% NPO AXL CER | |
| C940 | C 8894-5 | 1UF 50V VERT 10% NP ELECT T/R | |
| C941 | C 6804-6 | .1UF 50V AXIAL CER T/R 104 | |
| C942 | C 6804-6 | .1UF 50V AXIAL CER T/R 104 | |
| C943 | C 6804-6 | .1UF 50V AXIAL CER T/R 104 | |
| C944 | C 6812-9 | 47PF 200V 10% NPO AXL CER | |
| D930 | C 3181-2 | DIODE, 1N4148 T/R | |
| D931 | C 3181-2 | DIODE, 1N4148 T/R | |
| D934 | C 2851-1 | RECTIFIER, 1N4004 SILICON T/R | |
| D935 | C 3533-4 | DIODE, 1N966B 16V ZENER T/R | |
| D936 | C 3533-4 | DIODE, 1N966B 16V ZENER T/R | |
| D937 | C 2851-1 | RECTIFIER, 1N4004 SILICON T/R | |
| D938 | C 2851-1 | RECTIFIER, 1N4004 SILICON T/R | |
| D939 | C 2851-1 | RECTIFIER, 1N4004 SILICON T/R | |
| D940 | C 2851-1 | RECTIFIER, 1N4004 SILICON T/R | |
| D941 | C 3549-0 | DIODE, ZENER 10V 1N5240B T/R | |
| J901 | C 9885-2 | 14PIN DUAL ROW HDR .1 X.1 CTR | |
| J902 | C 7873-0 | 2POS .1 CENTER MTA HEADER TIN | |
| J903 | C 7873-0 | 2POS .1 CENTER MTA HEADER TIN | |
| J905 | C 7746-8 | 3POS SGLROW HDR .025 POST GOLD | |
| K930 | C10335-5 | RELAY, 30A 24V T90 SEALED CE | |
| K931 | C10335-5 | RELAY, 30A 24V T90 SEALED CE | |
| L930 | | --- OPEN --- | |
| Q930 | C 3625-8 | 2N4125 30V PNP T/R | |
| Q931 | 125106-1 | MAC9D 8AMP 400V TRIAC | |
| Q932 | C 3625-8 | 2N4125 30V PNP T/R | |
| Q933 | C 3625-8 | 2N4125 30V PNP T/R | |
| Q934 | C 3625-8 | 2N4125 30V PNP T/R | |
| Q935 | C 3625-8 | 2N4125 30V PNP T/R | |
| Q936 | C 3625-8 | 2N4125 30V PNP T/R | |
| R930 | A10265-10021 | 10K OHM 0.25W 1% MF T/R | |
| R931 | A10265-20021 | 20K OHM 0.25W 1% MF T/R | |
| R933 | A10265-10021 | 10K OHM 0.25W 1% MF T/R | |
| R934 | A10265-20021 | 20K OHM 0.25W 1% MF T/R | |
| R936 | A10266-3351 | 3.3M OHM 0.25W 5% CF25 T/R | |
| R938 | A10265-10021 | 10K OHM 0.25W 1% MF T/R | |
| R939 | A10266-2722 | 2.7K OHM 0.50W 5% CF T/R | |
| R940 | A10266-2722 | 2.7K OHM 0.50W 5% CF T/R | |
| R941 | C 9930-6 | 11.8 OHM 3W 5% WW T/R | |
| R942 | C 9930-6 | 11.8 OHM 3W 5% WW T/R | |

INACTIVE

For Reference Use Only

CROWN INTERNATIONAL INC.

1718 WEST MISHAWAKA ROAD

ELKHART, INDIANA 46517

PHONE (219) 294-8000

THESE DRAWINGS AND SPECIFICATIONS ARE THE PROPERTY OF CROWN INTERNATIONAL, INC. AND SHALL NOT BE REPRODUCED, COPIED, OR USED AS THE BASIS FOR THE MANUFACTURE OR SALE OF APPARATUS OR DEVICES WITHOUT PERMISSION.

DRAWN

KLW

11-04-97

DWG. NO.

SHEET 3 OF 5

REV

PROJ.

MD360D0

125418

A

PARTS LIST

| REF DES | C.P.N. | DESCRIPTION | MAP LOC. |
|---------|--------------|--------------------------------|----------|
| R943 | A10266-1811 | 180 OHM 0.25W 5% CF25 T/R | |
| R944 | 125158-1 | 6.8K OHM 3W 5% MF T/R | |
| R953 | A10266-2051 | 2M OHM 0.25W 5% CF T/R | |
| R957 | A10265-10021 | 10K OHM 0.25W 1% MF T/R | |
| R958 | 100445-1 | NTC, INRUSH CURRENT LIMITER 3A | |
| R959 | A10124-24 | WIRE, #24 SOLID BUSS | |
| R960 | A10266-5612 | 560 OHM 0.50W 5% CF T/R | |
| R961 | A10266-4712 | 470 OHM 0.50W 5% CF | |
| R963 | A10265-10021 | 10K OHM 0.25W 1% MF T/R | |
| R964 | A10265-10021 | 10K OHM 0.25W 1% MF T/R | |
| R965 | A10266-2721 | 2.7K OHM 0.25W 5% CF T/R | |
| R966 | A10265-10021 | 10K OHM 0.25W 1% MF T/R | |
| R967 | A10266-2721 | 2.7K OHM 0.25W 5% CF T/R | |
| R968 | A10265-10031 | 100K OHM 0.25W 1% MF T/R | |
| R969 | A10265-10021 | 10K OHM 0.25W 1% MF T/R | |
| R970 | A10265-12121 | 12.1K OHM 0.25W 1% CF25 T/R | |
| R971 | A10265-12121 | 12.1K OHM 0.25W 1% CF25 T/R | |
| R972 | A10265-10021 | 10K OHM 0.25W 1% MF T/R | |
| R973 | A10266-1241 | 120K OHM 0.25W 5% CF T/R | |
| R974 | A10266-4321 | 4.3K OHM 0.25W 5% CF T/R | |
| R975 | A10265-10021 | 10K OHM 0.25W 1% MF T/R | |
| R976 | A10266-4321 | 4.3K OHM 0.25W 5% CF T/R | |
| R977 | A10265-60431 | 604K OHM 0.25W 1% MF T/R | |
| R978 | A10265-20011 | 2K OHM 0.25W 1% MF T/R | |
| U930 | C 7636-1 | MC33078P DUAL LOW NOISE OP AMP | |
| U931 | C 7444-0 | LM393 DUAL COMPARATOR | |
| U932 | C 7665-0 | MOC3011 OPTO TRIAC | |
| U933 | C 9255-8 | 4N37 PHOTOXSISTOR OPTO ISOLR | |
| W1 | 101031-1 | FASTON, TAB .250 PC MNT | |
| W2 | 101031-1 | FASTON, TAB .250 PC MNT | |
| W3 | 101031-1 | FASTON, TAB .250 PC MNT | |
| W4 | 101031-1 | FASTON, TAB .250 PC MNT | |
| W5 | 101031-1 | FASTON, TAB .250 PC MNT | |
| W6 | 101031-1 | FASTON, TAB .250 PC MNT | |
| W7 | 101031-1 | FASTON, TAB .250 PC MNT | |
| W8 | 101031-1 | FASTON, TAB .250 PC MNT | |
| W9 | 101031-1 | FASTON, TAB .250 PC MNT | |
| W10 | 101031-1 | FASTON, TAB .250 PC MNT | |
| W11 | 101031-1 | FASTON, TAB .250 PC MNT | |
| W12 | 101031-1 | FASTON, TAB .250 PC MNT | |
| W13 | 101031-1 | FASTON, TAB .250 PC MNT | |
| Z902 | A10124-24 | WIRE, #24 SOLID BUSS | |
| Z903 | A10124-24 | WIRE, #24 SOLID BUSS | |
| Z930 | | --- OPEN --- | |
| Z931 | | --- OPEN --- | |
| Z932 | | --- OPEN --- | |
| Z933 | | --- OPEN --- | |
| Z934 | | --- OPEN --- | |
| Z935 | | --- OPEN --- | |
| | 125415-1 | PWB, CT10A CONTROL, , | |

INACTIVE

For Reference Use Only

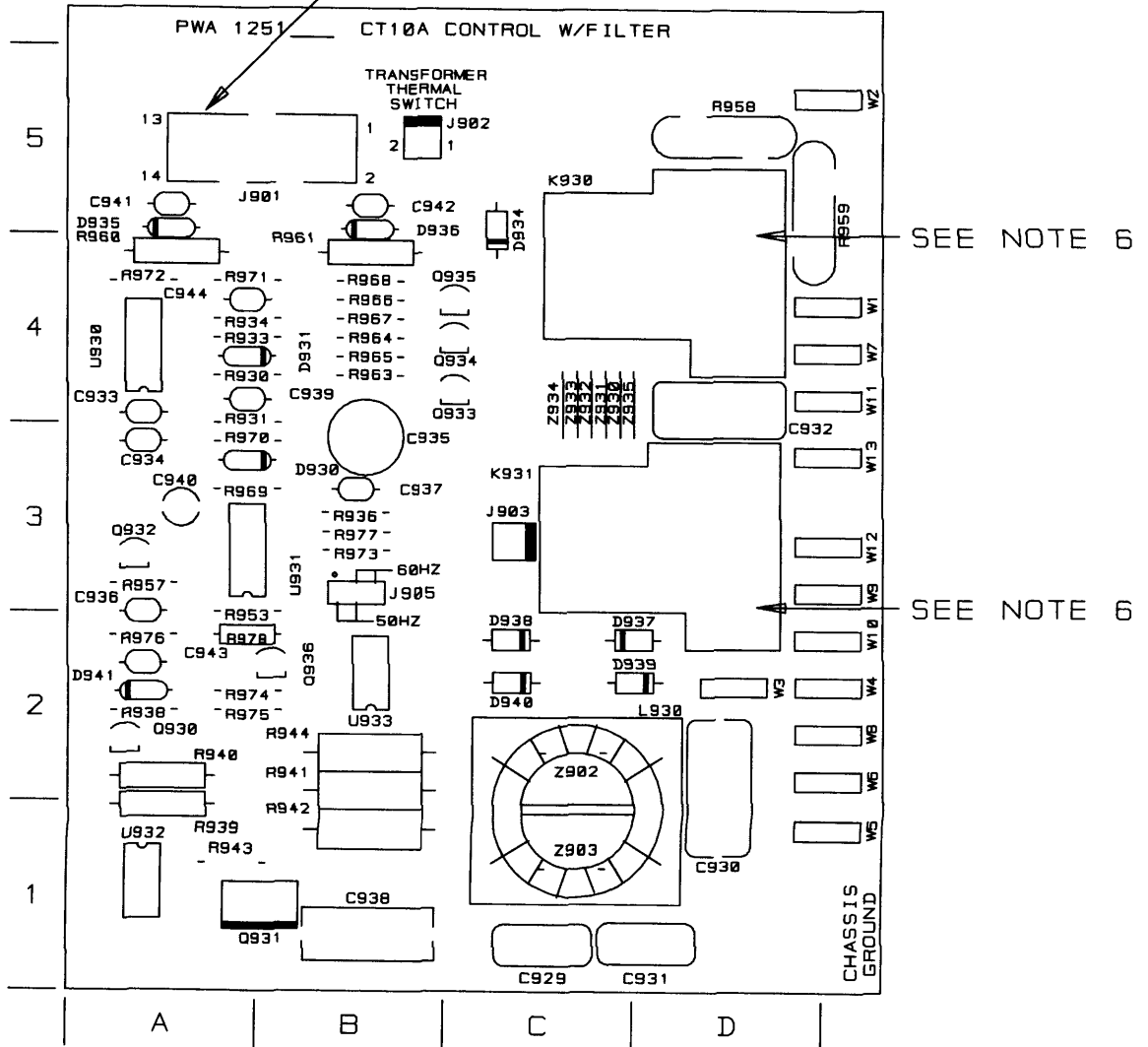
THESE DRAWINGS AND SPECIFICATIONS ARE THE PROPERTY OF CROWN INTERNATIONAL, INC. AND SHALL NOT BE REPRODUCED, COPIED, OR USED AS THE BASIS FOR THE MANUFACTURE OR SALE OF APPARATUS OR DEVICES WITHOUT PERMISSION.

| | | | |
|---------------------------------|---------|------------------------|----------------------|
| CROWN INTERNATIONAL INC. | | | |
| 1718 WEST MISHAWAKA ROAD | | ELKHART, INDIANA 46517 | PHONE (219) 294-8000 |
| DRAWN | KLW | 11-04-97 | DWG. NO. |
| PROJ. | MD360D0 | 125418 | |
| | | | SHEET 4 OF 5 |
| | | | REV (A) |

COMPONENT MAP

(COMPONENT SIDE VIEW)

NOTE: THIS IS THE LATCHING SIDE OF THE CONNECTOR



INACTIVE

For Reference Use Only

CROWN INTERNATIONAL INC.

1718 WEST MISHAWAKA ROAD ELKHART, INDIANA 46517 PHONE (219) 294-8000

THESE DRAWINGS AND SPECIFICATIONS ARE THE PROPERTY OF CROWN INTERNATIONAL, INC. AND SHALL NOT BE REPRODUCED, COPIED, OR USED AS THE BASIS FOR THE MANUFACTURE OR SALE OF APPARATUS OR DEVICES WITHOUT PERMISSION.

DRAWN K LW 11-04-97 DWG. NO.

SHEET 5 OF 5

REV

PROJ. MD360D0

125418


(A)

| E.C.N. | ZONE | REV. | DESCRIPTION | DATE | BY | APPROVALS | | | |
|---------|------|------|---------------------------------|----------|-----|-----------|----|-----|----|
| | | | | | | CHK | CM | EE | PE |
| 99E0214 | | A | INITIAL RELEASE FOR PRODUCTION. | 05-21-99 | KLW | alw | ml | N/A | EB |

UNLESS OTHERWISE SPECIFIED, THE FINISHED PWA SHALL MEET:
IPC-A-610_ CLASS 2

NOTES:

1. SCHEMATIC DRAWING NUMBER 125423.
2. PRINTED WIRING BOARD PART NUMBER 125415-1.
3. ALL LEADS SHALL BE TRIMMED TO 0.093" OR LESS.
4. POSITION COMPONENTS AS SHOWN ON COMPONENT MAP.
5. THE VENT HOLE ON TOP OF THE RELAY K930 AND K931 MUST BE OPENED AFTER THE CLEANING PROCESS, BY EITHER REMOVING THE SEALING TAPE OR CUTTING OFF THE CIRCULAR TAB WITH AN "EXACTO" KNIFE OR SIMILAR CUTTING TOOL. WARNING, THIS STEP MUST BE DONE AFTER THE CLEANING PROCESS NOT BEFORE!!! WATER OR CLEANING SOLVENTS ENTERING THE RELAY VENT HOLE WILL DAMAGE THE RELAY.
6. THE CROWN PART NUMBER FOR THIS MODULE SHALL BE MARKED ON THE PRINTED CIRCUIT BOARD AND SHALL BE PERMANENT.
7. SOLDER C945 (C 6806-1) ACROSS R976 AS SHOWN ON THE COMPONENT MAP.



CAUTION

STATIC CAN DAMAGE COMPONENTS!

DO NOT HANDLE

UNLESS WRIST STRAP IS WORN

INACTIVE
For Reference Use Only

| | | | | | | | | | |
|---------------------------------|--------------------------|---------------------------------|----------|------------------------|-------------|--|----------------------|--|-----|
| CROWN INTERNATIONAL INC. | | | | | | | | | |
| PRINTS | 1718 WEST MISHAWAKA ROAD | | | ELKHART, INDIANA 46517 | | | PHONE (219) 294-8000 | | |
| | K | PWA CT1610A CONTROL 120V | | | | | | TOL. UNLESS SPECIFIED X.XX - ± 0.020 X.XXX - ± 0.010 DRILLS - ± 0.003 | |
| | DRAWN | KLW | 05-21-99 | APPROVED BY: | | | DO NOT SCALE PRINT | | |
| | CHECKED | alw | 05/21/99 | ME | CSH 5-24-99 | | SUPERSEDES | | |
| | SCALE | NONE | | EE | N/A | | E.C.N. | | |
| | PROJ # | MD360D0 | | PE | EB 5-21-99 | | DWG. NO. | SHEET 1 OF 5 | REV |
| NEXT ASSEMBLY | | | | | | | 125418-2 | | (A) |

THESE DRAWINGS AND SPECIFICATIONS ARE THE PROPERTY OF CROWN INTERNATIONAL, INC. AND SHALL NOT BE REPRODUCED, COPIED, OR USED AS THE BASIS FOR THE MANUFACTURE OR SALE OF APPARATUS OR DEVICES WITHOUT PERMISSION.

PARTS LIST

| C. P. N. | DESCRIPTION | QTY | REFERENCE DESIGNATION |
|--------------|------------------------------|-----|---|
| A10124-24 | WIRE, #24 SOLID BUS | 6" | R959, Z902, Z903 |
| A10265-10021 | 10K OHM 0.25W 1% MF T/R | 10 | R930, R933, R938, R957, R963, R964, R966, R969, R972, R975 |
| A10265-10031 | 100K OHM 0.25W 1% MF T/R | 1 | R968 |
| A10265-12121 | 12.1K OHM 0.25W 1% MF T/R | 2 | R970, R971 |
| A10265-20011 | 2K OHM 0.25W 1% MF T/R | 1 | R978 |
| A10265-20021 | 20K OHM 0.25W 1% MF T/R | 2 | R931, R934 |
| A10265-60431 | 604K OHM 0.25W 1% MF T/R | 1 | R977 |
| A10266-1241 | 120K OHM 0.25W 5% CF T/R | 1 | R973 |
| A10266-1811 | 180 OHM 0.25W 5% CF25 T/R | 1 | R943 |
| A10266-2051 | 2M OHM 0.25W 5% CF T/R | 1 | R953 |
| A10266-2721 | 2.7K OHM 0.25W 5% CF T/R | 2 | R965, R967 |
| A10266-2722 | 2.7K OHM 0.50W 5% CF T/R | 2 | R939, R940 |
| A10266-3351 | 3.3M OHM 0.25W 5% CF T/R | 1 | R936 |
| A10266-4321 | 4.3K OHM 0.25W 5% CF T/R | 2 | R974, R976 |
| A10266-4712 | 470 OHM 0.50W 5% CF | 1 | R961 |
| A10266-5612 | 560 OHM 0.50W 5% CF T/R | 1 | R960 |
| C 2851-1 | RECTIFIER, 1N4004 SILICON T/ | 5 | D934, D937, D938, D939, D940 |
| C 3181-2 | DIODE, 1N4148 T/R | 2 | D930, D931 |
| C 3533-4 | DIODE, 1N966B 16V ZENER T/R | 2 | D935, D936 |
| C 3549-0 | DIODE, ZENER 10V 1N5240B T/R | 1 | D941 |
| C 3625-8 | 2N4125 30V PNP T/R | 6 | Q930, Q932, Q933, Q934, Q935, Q936 |
| C 5311-3 | 22UF 50V 20% NP VERT T/A | 1 | C935 |
| C 6804-6 | .1UF 50V AXIAL CER T/R 104 | 7 | C933, C934, C936, C937, C941, C942, C943 |
| C 6806-1 | .01UF 100V AXIAL CER T/R | 1 | C945 |
| C 6812-9 | 47PF 200V 10% NPO AXL CER | 2 | C939, C944 |
| C 7444-0 | LM393 DUAL COMPARATOR | 1 | U931 |
| C 7636-1 | MC33078P DUAL LOW NOISE OP A | 1 | U930 |
| C 7665-0 | MOC3011 OPTO TRIAC | 1 | U932 |
| C 7746-8 | 3POS SGLROW HDR .025 POST G | 1 | J905 |
| C 7873-0 | 2POS .1 CENTER MTA HEADER TI | 2 | J902, J903 |
| C 8554-5 | .22UF 250V 10% POLYESTER | 1 | C938 |
| C 8894-5 | 1UF 50V VERT 10% NP ELECT T/ | 1 | C940 |
| C 9255-8 | 4N37 PHOTOXSISTOR OPTO ISOLR | 1 | U933 |
| C 9592-4 | .01 250VAC UL/CSA 20% FILM | 1 | C932 |
| C 9885-2 | 14PIN DUAL ROW HDR .1 X.1 CT | 1 | J901 |
| C 9930-6 | 11.8 OHM 3W 5% WW T/R | 2 | R941, R942 |
| C10325-6 | 2200.PF 250VAC 20% FILM Y2 | 2 | C929, C931 |
| C10326-4 | .1UF 250VAC 20% FILM X2 | 1 | C930 |
| C10335-5 | RELAY, 30A 24V T90 SEALED CE | 2 | K930, K931 |
| 100445-1 | NTC, INRUSH CURR LIMITER 3A | 1 | R958 |
| 101031-1 | FASTON, TAB .250 PC MNT | 13 | W1, W2, W3, W4, W5, W6, W7, W8, W9, W10, W11, W12, W13 |
| 125106-1 | MAC9D 8A 400V TRIAC | 1 | Q931 |
| 125158-1 | 6.8K OHM 3W 5% WW T/R | 1 | R944 |
| 125415-1 | PWB, CT10A CONTROL, , , | 1 | |

INACTIVE

For Reference Use Only

THESE DRAWINGS AND SPECIFICATIONS ARE THE PROPERTY OF CROWN INTERNATIONAL, INC. AND SHALL NOT BE REPRODUCED, COPIED, OR USED AS THE BASIS FOR THE MANUFACTURE OR SALE OF APPARATUS OR DEVICES WITHOUT PERMISSION.

| | | | |
|---------------------------------|---------|------------------------|-------------------|
| CROWN INTERNATIONAL INC. | | | |
| 1718 WEST MISHAWAKA ROAD | | ELKHART, INDIANA 46517 | |
| PHONE (219) 294-8000 | | | |
| DRAWN | KLW | 05-21-99 | DWG. NO. |
| PROJ. | MD360D0 | | |
| 125418-2 | | | SHEET 2 OF 5 |
| | | | REV (A) |

PARTS LIST

| REF DES | C. P. N. | DESCRIPTION | MAP LOC. |
|---------|--------------|--------------------------------|----------|
| C929 | C10325-6 | 2200.PF 250VAC 20% FILM Y2 | |
| C930 | C10326-4 | .1UF 250VAC 20% FILM X2 | |
| C931 | C10325-6 | 2200.PF 250VAC 20% FILM Y2 | |
| C932 | C 9592-4 | .01 250VAC UL/CSA 20% FILM | |
| C933 | C 6804-6 | .1UF 50V AXIAL CER T/R 104 | |
| C934 | C 6804-6 | .1UF 50V AXIAL CER T/R 104 | |
| C935 | C 5311-3 | 22UF 50V 20% NP VERT T/A | |
| C936 | C 6804-6 | .1UF 50V AXIAL CER T/R 104 | |
| C937 | C 6804-6 | .1UF 50V AXIAL CER T/R 104 | |
| C938 | C 8554-5 | .22UF 250V 10% POLYESTER | |
| C939 | C 6812-9 | 47PF 200V 10% NPO AXL CER | |
| C940 | C 8894-5 | 1UF 50V VERT 10% NP ELECT T/R | |
| C941 | C 6804-6 | .1UF 50V AXIAL CER T/R 104 | |
| C942 | C 6804-6 | .1UF 50V AXIAL CER T/R 104 | |
| C943 | C 6804-6 | .1UF 50V AXIAL CER T/R 104 | |
| C944 | C 6812-9 | 47PF 200V 10% NPO AXL CER | |
| C945 | C 6806-1 | .01UF 100V AXIAL CER T/R | |
| D930 | C 3181-2 | DIODE, 1N4148 T/R | |
| D931 | C 3181-2 | DIODE, 1N4148 T/R | |
| D934 | C 2851-1 | RECTIFIER, 1N4004 SILICON T/R | |
| D935 | C 3533-4 | DIODE, 1N966B 16V ZENER T/R | |
| D936 | C 3533-4 | DIODE, 1N966B 16V ZENER T/R | |
| D937 | C 2851-1 | RECTIFIER, 1N4004 SILICON T/R | |
| D938 | C 2851-1 | RECTIFIER, 1N4004 SILICON T/R | |
| D939 | C 2851-1 | RECTIFIER, 1N4004 SILICON T/R | |
| D940 | C 2851-1 | RECTIFIER, 1N4004 SILICON T/R | |
| D941 | C 3549-0 | DIODE, ZENER 10V 1N5240B T/R | |
| J901 | C 9885-2 | 14PIN DUAL ROW HDR .1 X.1 CTR | |
| J902 | C 7873-0 | 2POS .1 CENTER MTA HEADER TIN | |
| J903 | C 7873-0 | 2POS .1 CENTER MTA HEADER TIN | |
| J905 | C 7746-8 | 3POS SGLROW HDR .025 POST GOLD | |
| K930 | C10335-5 | RELAY, 30A 24V T90 SEALED CE | |
| K931 | C10335-5 | RELAY, 30A 24V T90 SEALED CE | |
| L930 | | --- OPEN --- | |
| Q930 | C 3625-8 | 2N4125 30V PNP T/R | |
| Q931 | 125106-1 | MAC9D 8AMP 400V TRIAC | |
| Q932 | C 3625-8 | 2N4125 30V PNP T/R | |
| Q933 | C 3625-8 | 2N4125 30V PNP T/R | |
| Q934 | C 3625-8 | 2N4125 30V PNP T/R | |
| Q935 | C 3625-8 | 2N4125 30V PNP T/R | |
| Q936 | C 3625-8 | 2N4125 30V PNP T/R | |
| R930 | A10265-10021 | 10K OHM 0.25W 1% MF T/R | |
| R931 | A10265-20021 | 20K OHM 0.25W 1% MF T/R | |
| R933 | A10265-10021 | 10K OHM 0.25W 1% MF T/R | |
| R934 | A10265-20021 | 20K OHM 0.25W 1% MF T/R | |
| R936 | A10266-3351 | 3.3M OHM 0.25W 5% CF25 T/R | |
| R938 | A10265-10021 | 10K OHM 0.25W 1% MF T/R | |
| R939 | A10266-2722 | 2.7K OHM 0.50W 5% CF T/R | |
| R940 | A10266-2722 | 2.7K OHM 0.50W 5% CF T/R | |
| R941 | C 9930-6 | 11.8 OHM 3W 5% WW T/R | |
| R942 | C 9930-6 | 11.8 OHM 3W 5% WW T/R | |

INACTIVE

For Reference Use Only

CROWN INTERNATIONAL INC.

1718 WEST MISHAWAKA ROAD ELKHART, INDIANA 46517 PHONE (219) 294-8000

THESE DRAWINGS AND SPECIFICATIONS ARE THE PROPERTY OF CROWN INTERNATIONAL, INC. AND SHALL NOT BE REPRODUCED, COPIED, OR USED AS THE BASIS FOR THE MANUFACTURE OR SALE OF APPARATUS OR DEVICES WITHOUT PERMISSION.

DRAWN

KLW

05-21-99

DWG. NO.

SHEET 3 OF 5

REV

PROJ.

MD360D0

125418-2

(A)

| PARTS LIST | | | |
|------------|--------------|--------------------------------|----------|
| REF DES | C.P.N. | DESCRIPTION | MAP LOC. |
| R943 | A10266-1811 | 180 OHM 0.25W 5% CF25 T/R | |
| R944 | 125158-1 | 6.8K OHM 3W 5% MF T/R | |
| R953 | A10266-2051 | 2M OHM 0.25W 5% CF T/R | |
| R957 | A10265-10021 | 10K OHM 0.25W 1% MF T/R | |
| R958 | 100445-1 | NTC, INRUSH CURRENT LIMITER 3A | |
| R959 | A10124-24 | WIRE, #24 SOLID BUSS | |
| R960 | A10266-5612 | 560 OHM 0.50W 5% CF T/R | |
| R961 | A10266-4712 | 470 OHM 0.50W 5% CF | |
| R963 | A10265-10021 | 10K OHM 0.25W 1% MF T/R | |
| R964 | A10265-10021 | 10K OHM 0.25W 1% MF T/R | |
| R965 | A10266-2721 | 2.7K OHM 0.25W 5% CF T/R | |
| R966 | A10265-10021 | 10K OHM 0.25W 1% MF T/R | |
| R967 | A10266-2721 | 2.7K OHM 0.25W 5% CF T/R | |
| R968 | A10265-10031 | 100K OHM 0.25W 1% MF T/R | |
| R969 | A10265-10021 | 10K OHM 0.25W 1% MF T/R | |
| R970 | A10265-12121 | 12.1K OHM 0.25W 1% CF25 T/R | |
| R971 | A10265-12121 | 12.1K OHM 0.25W 1% CF25 T/R | |
| R972 | A10265-10021 | 10K OHM 0.25W 1% MF T/R | |
| R973 | A10266-1241 | 120K OHM 0.25W 5% CF T/R | |
| R974 | A10266-4321 | 4.3K OHM 0.25W 5% CF T/R | |
| R975 | A10265-10021 | 10K OHM 0.25W 1% MF T/R | |
| R976 | A10266-4321 | 4.3K OHM 0.25W 5% CF T/R | |
| R977 | A10265-60431 | 604K OHM 0.25W 1% MF T/R | |
| R978 | A10265-20011 | 2K OHM 0.25W 1% MF T/R | |
| U930 | C 7636-1 | MC33078P DUAL LOW NOISE OP AMP | |
| U931 | C 7444-0 | LM393 DUAL COMPARATOR | |
| U932 | C 7665-0 | MOC3011 OPTO TRIAC | |
| U933 | C 9255-8 | 4N37 PHOTOXSISTOR OPTO ISOLR | |
| W1 | 101031-1 | FASTON, TAB .250 PC MNT | |
| W2 | 101031-1 | FASTON, TAB .250 PC MNT | |
| W3 | 101031-1 | FASTON, TAB .250 PC MNT | |
| W4 | 101031-1 | FASTON, TAB .250 PC MNT | |
| W5 | 101031-1 | FASTON, TAB .250 PC MNT | |
| W6 | 101031-1 | FASTON, TAB .250 PC MNT | |
| W7 | 101031-1 | FASTON, TAB .250 PC MNT | |
| W8 | 101031-1 | FASTON, TAB .250 PC MNT | |
| W9 | 101031-1 | FASTON, TAB .250 PC MNT | |
| W10 | 101031-1 | FASTON, TAB .250 PC MNT | |
| W11 | 101031-1 | FASTON, TAB .250 PC MNT | |
| W12 | 101031-1 | FASTON, TAB .250 PC MNT | |
| W13 | 101031-1 | FASTON, TAB .250 PC MNT | |
| Z902 | A10124-24 | WIRE, #24 SOLID BUSS | |
| Z903 | A10124-24 | WIRE, #24 SOLID BUSS | |
| Z930 | | --- OPEN --- | |
| Z931 | | --- OPEN --- | |
| Z932 | | --- OPEN --- | |
| Z933 | | --- OPEN --- | |
| Z934 | | --- OPEN --- | |
| Z935 | | --- OPEN --- | |
| | 125415-1 | PWB, CT10A CONTROL, . | |

INACTIVE

For Reference Use Only

THESE DRAWINGS AND SPECIFICATIONS ARE THE PROPERTY OF CROWN INTERNATIONAL, INC. AND SHALL NOT BE REPRODUCED, COPIED, OR USED AS THE BASIS FOR THE MANUFACTURE OR SALE OF APPARATUS OR DEVICES WITHOUT PERMISSION.

CROWN INTERNATIONAL INC.

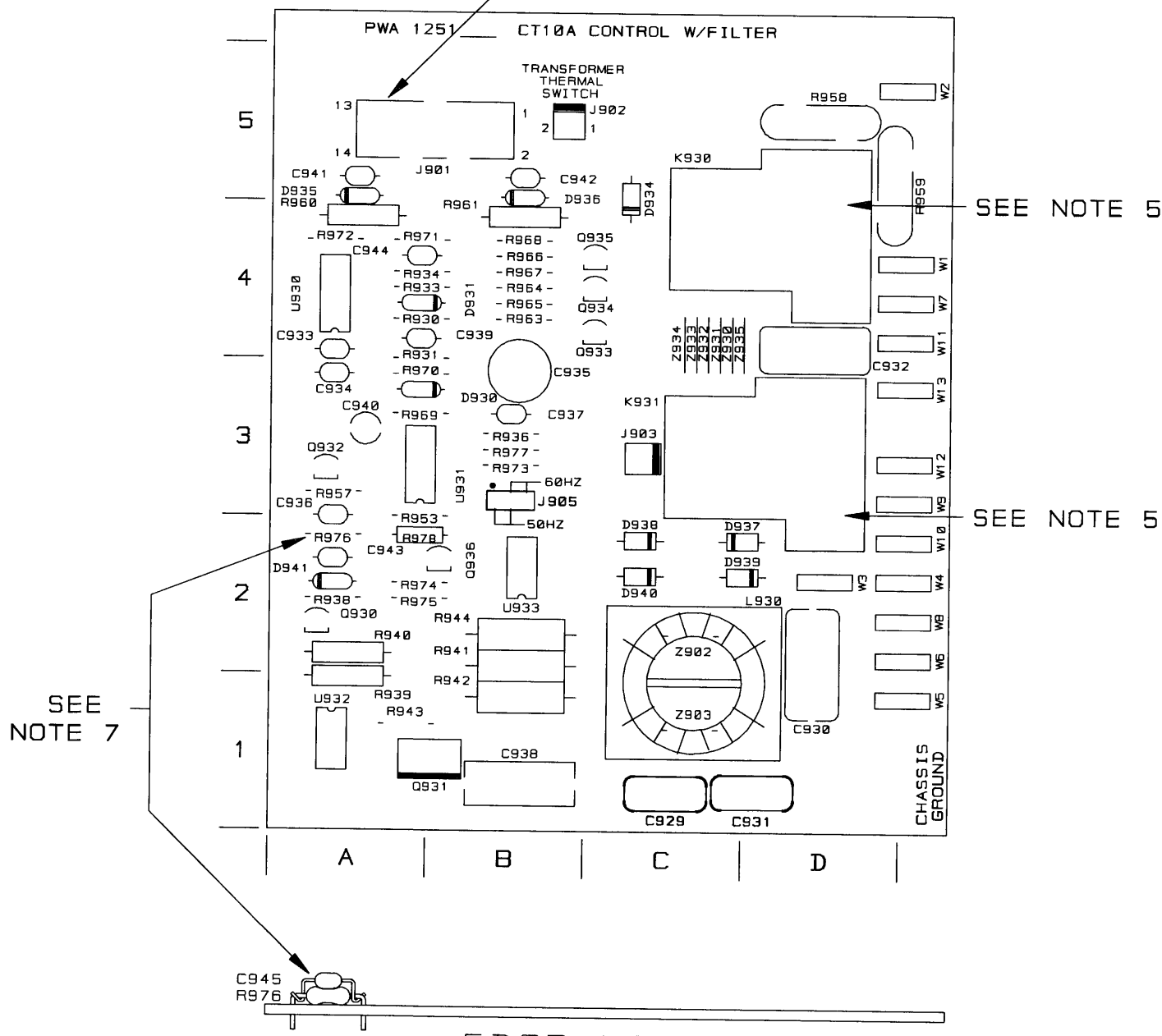
1718 WEST MISHAWAKA ROAD ELKHART, INDIANA 46517 PHONE (219) 294-8000

| | | | | | |
|-------|---------|----------|----------|--------------|-----|
| DRAWN | KLW | 05-21-99 | DWG. NO. | SHEET 4 OF 5 | REV |
| PROJ. | MD360D0 | | 125418-2 | | (A) |

COMPONENT MAP

(COMPONENT SIDE VIEW)

NOTE: THIS IS THE LATCHING SIDE OF THE CONNECTOR



EDGE VIEW

MOST COMPONENTS OMITTED FOR CLARITY.

INACTIVE
For Reference Use Only

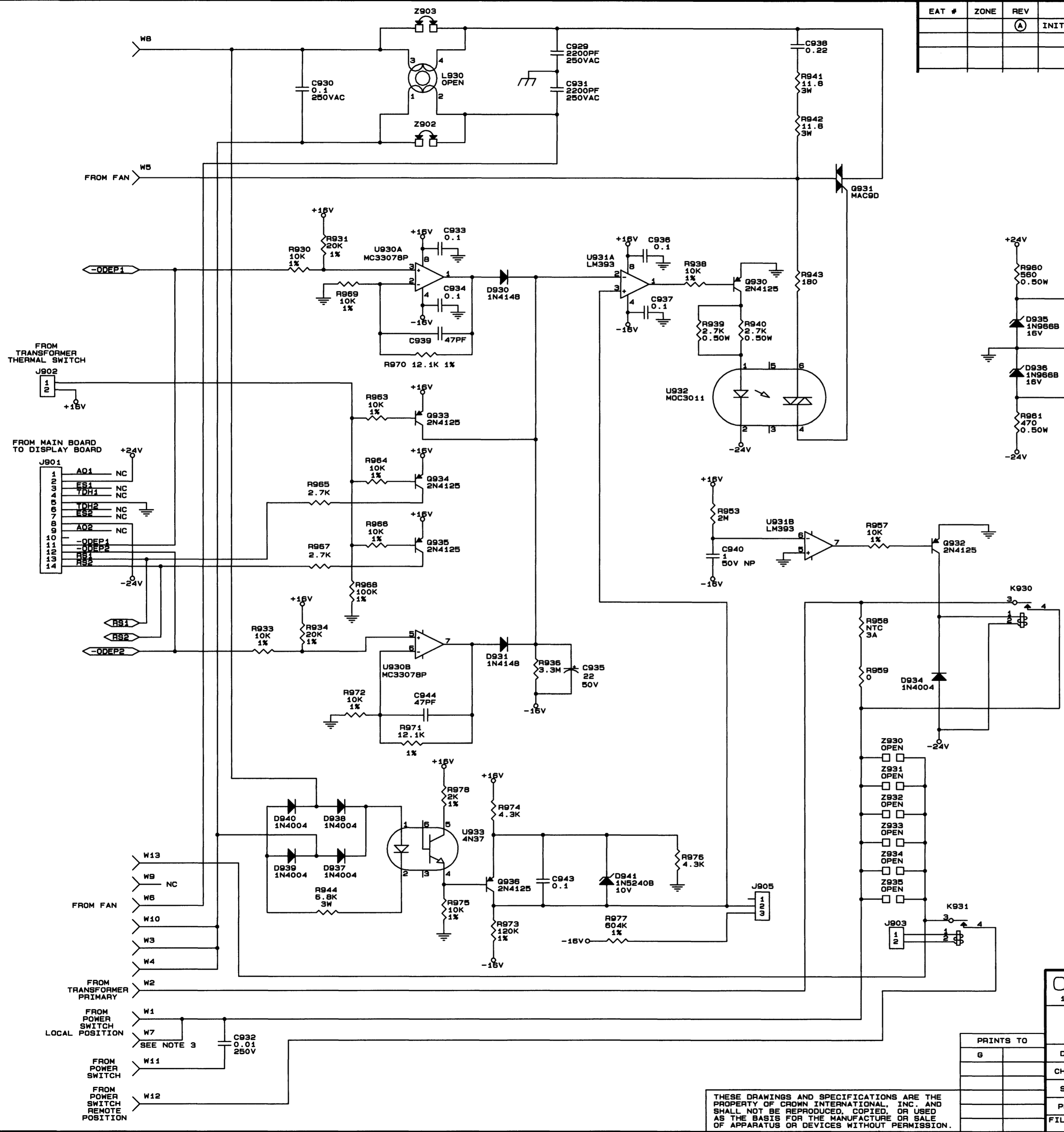
CROWN INTERNATIONAL INC.

1718 WEST MISHAWAKA ROAD ELKHART, INDIANA 46517 PHONE (219) 294-8000

THESE DRAWINGS AND SPECIFICATIONS ARE THE PROPERTY OF CROWN INTERNATIONAL, INC. AND SHALL NOT BE REPRODUCED, COPIED, OR USED AS THE BASIS FOR THE MANUFACTURE OR SALE OF APPARATUS OR DEVICES WITHOUT PERMISSION.

| | | | | | |
|-------|---------|----------|----------|--------------|-----|
| DRAWN | KLW | 05-21-99 | DWG. NO. | SHEET 5 OF 5 | REV |
| PROJ. | MD360D0 | | 125418-2 | | (A) |

| EAT # | ZONE | REV | DESCRIPTION | DATE | BY | CK | ME | TE | PE | APPROVALS |
|-------|------|-----|------------------|----------|-----|----|----|----|----|-----------|
| | | (A) | INITIAL RELEASE. | 11-10-97 | KLW | LM | | | | EB |



| LAST USED | NOT USED |
|-----------|--------------------------------------|
| C944 | 900-928 |
| D941 | 900-929, 932, 933 |
| J905 | 900, 904 |
| K931 | 900-929 |
| Q936 | 900-929 |
| R978 | 932, 935, 937, 945-952, 954-956, 962 |
| U933 | 900-929 |
| W13 | |
| Z935 | 900, 901, 904-929 |

- NOTES :
1. ALL RESISTORS ARE IN OHMS, 1/4W, 5% UNLESS OTHERWISE SPECIFIED.
 2. ALL CAPACITORS ARE IN MICROFARADS UNLESS OTHERWISE SPECIFIED.
 3. FOR ALL 120V UNITS CONNECT W7 TO W8 USING WIRE ASSEMBLY A11384-C050C.

INACTIVE
For Reference Use Only
Document Has Been Replaced
with a Newer Version

CROWN INTERNATIONAL, INC.
1718 WEST MISHAWAKA ROAD ELKHART, IN. 46517 PHONE (219) 294-8000

SCH, CONTROL CT1610A 120V

| PRINTS TO | | DRAWN | | CHECKED | | SCALE | | PROJ # | | FILENAME: | |
|-----------|--|---------------|----------|--------------------|----------|------------|---------|---------|--------------|-----------|--|
| G | | KLW | 11-10-97 | KLW | 11-13-97 | NONE | MD36000 | MD36000 | 1254231A.SCM | | |
| | | APPROVED BY : | | DO NOT SCALE PRINT | | SUPERSEDES | | E.C. | | DWG. NO. | |
| | | | | | | | | | | 125423 | |
| | | | | | | | | | | REV (A) | |

THESE DRAWINGS AND SPECIFICATIONS ARE THE PROPERTY OF CROWN INTERNATIONAL, INC. AND SHALL NOT BE REPRODUCED, COPIED, OR USED AS THE BASIS FOR THE MANUFACTURE OR SALE OF APPARATUS OR DEVICES WITHOUT PERMISSION.

**CT10 Display Module Information On Following Pages
Documentation, Component Map, Schematic**

| | | | | |
|----------|---------------|---|-------------|-----|
| REVISION | A | TITLE: PWA, CT10 DISPLAY FIRST MADE FOR: CT10 SERIES | PRINTS | K |
| MADE BY | TOM SZERENCSE | | SHEET NO. | 2 |
| DATE | 08-07-96 | | CONT. ON SH | 3 |
| PROJ. | D360 | | DRAWN | TLM |

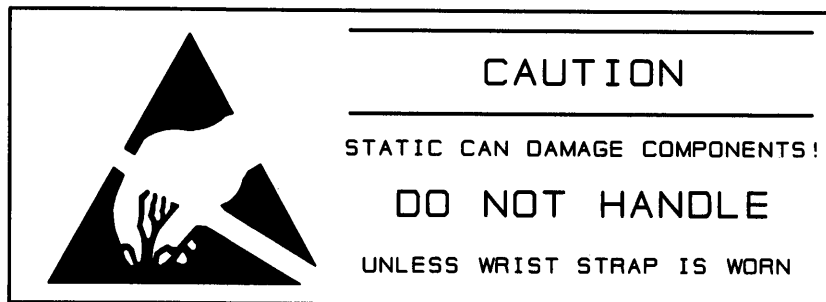
REVISION CONTROL INFORMATION

| NAME | SHEET NO. | SHEET REV. | ACTION |
|-----------|-----------|------------|-----------------|
| PAT WIERS | 1-7 | A | INITIAL RELEASE |
| | | | |

UNLESS OTHERWISE SPECIFIED, THE FINISHED PWA SHALL MEET:
IPC-A-610_ CLASS 2

NOTES:

1. SCHEMATIC DRAWING NUMBER 100282.
2. PWB PART NUMBER 100280-1.
3. PWA PART NUMBER 100281-1.
4. ALL LEADS SHALL BE TRIMMED TO 0.093" OR LESS.
5. POSITION COMPONENTS AS SHOWN ON COMPONENT MAP.
6. REMOVE SOLDER OR PREVENT SOLDER FROM ACCUMULATING IN HOLES AT REFERENCE DESIGNATION LOCATIONS J900.
SEE COMPONENT MAP.
7. INSTALL J900 ON THE SOLDER SIDE OF THE BOARD.
SEE COMPONENT MAP.



INACTIVE

For Reference Use Only

THESE DRAWINGS AND SPECIFICATIONS ARE THE PROPERTY OF CROWN INTERNATIONAL, INC. AND SHALL NOT BE REPRODUCED, COPIED, OR USED AS THE BASIS FOR THE MANUFACTURE OR SALE OF APPARATUS OR DEVICES WITHOUT PERMISSION.

| | | | | |
|---------------------------------|------|------------------------|----------|----------------------|
| CROWN INTERNATIONAL INC. | | | | |
| 1718 WEST MISHAWAKA ROAD | | ELKHART, INDIANA 46517 | | PHONE (219) 294-8000 |
| DRAWN | TLM | 08-06-96 | DWG. NO. | SHEET 3 |
| PROJ. | D360 | | 100281 | CONT. ON SHEET 4 |
| | | | | REV (A) |

PARTS LIST

| REF DES | C. P. N. | DESCRIPTION | MAP LOC. |
|---------|--------------|-------------------------------|----------|
| 1 | 100282-1 | PWB, CT10 DISPLAY, , , | |
| C901 | C 6804-6 | .1UF 50V AXIAL CER T/R 104 | F 1 |
| C902 | C 6804-6 | .1UF 50V AXIAL CER T/R 104 | E 1 |
| C903 | C 6804-6 | .1UF 50V AXIAL CER T/R 104 | B 1 |
| C904 | C 6804-6 | .1UF 50V AXIAL CER T/R 104 | B 1 |
| C905 | C 6804-6 | .1UF 50V AXIAL CER T/R 104 | B 2 |
| C906 | C 6804-6 | .1UF 50V AXIAL CER T/R 104 | B 2 |
| C907 | C 6804-6 | .1UF 50V AXIAL CER T/R 104 | E 1 |
| D900 | C 3533-4 | DIODE, 1N966B 16V ZENER T/R | F 1 |
| D901 | C 3533-4 | DIODE, 1N966B 16V ZENER T/R | E 1 |
| E900 | D 9117-9 | LED, T 1.75 GREEN T/R | A 1 |
| E901 | D 9118-7 | LED, T 1.75 YELLOW T/R | A 2 |
| E902 | D 9117-9 | LED, T 1.75 GREEN T/R | A 2 |
| E903 | D 9119-5 | LED, T 1.75 ORANGE T/R | F 2 |
| E1000 | D 9117-9 | LED, T 1.75 GREEN T/R | C 1 |
| E1001 | D 9118-7 | LED, T 1.75 YELLOW T/R | C 2 |
| E1002 | D 9117-9 | LED, T 1.75 GREEN T/R | C 2 |
| J900 | C 9885-2 | 14PIN DUAL ROW HDR .1 X.1 CTR | D 2 |
| Q900 | C 3625-8 | 2N4125 30V PNP T/R | A 1 |
| Q901 | C 3625-8 | 2N4125 30V PNP T/R | A 1 |
| Q1000 | C 3625-8 | 2N4125 30V PNP T/R | C 1 |
| Q1001 | C 3625-8 | 2N4125 30V PNP T/R | C 1 |
| R900 | A10266-1031 | 10. KOHM .25W 5% CF T/R | B 1 |
| R901 | A10266-3322 | 3.3 KOHM .5W 5% CF T/R | A 1 |
| R902 | A10266-1031 | 10. KOHM .25W 5% CF T/R | B 2 |
| R903 | A10266-2222 | 2.2 KOHM .5W 5% CF T/R | A 1 |
| R904 | A10266-1051 | 1.0 MOHM .25W 5 CF T/R | D 1 |
| R905 | A10266-2751 | 2.7 MOHM .25W 5% CF T/R | D 1 |
| R906 | A10266-4751 | 4.7 MOHM .25W 5 CF T/R | D 1 |
| R907 | A10266-3322 | 3.3 KOHM .5W 5% CF T/R | A 1 |
| R908 | A10266-2222 | 2.2 KOHM .5W 5% CF T/R | F 2 |
| R909 | A10266-8211 | 820. OHM .25W 5% CF T/R | F 1 |
| R910 | A10265-34002 | 340. OHM .5W 1% MF T/R | E 2 |
| R911 | A10265-39221 | 39.2KOHM .25W 1% MF T/R | F 1 |
| R912 | A10265-39221 | 39.2KOHM .25W 1% MF T/R | E 1 |
| R913 | A10265-39221 | 39.2KOHM .25W 1% MF T/R | E 1 |
| R914 | A10265-12731 | 127 KOHM .25W 1 MF T/R | F 1 |
| R915 | A10266-2711 | 270. OHM .25W 5% CF T/R | F 1 |
| R1000 | A10266-1031 | 10. KOHM .25W 5% CF T/R | C 1 |
| R1001 | A10266-3322 | 3.3 KOHM .5W 5% CF T/R | C 1 |
| R1002 | A10266-1031 | 10. KOHM .25W 5% CF T/R | C 2 |
| R1003 | A10266-2222 | 2.2 KOHM .5W 5% CF T/R | C 1 |
| R1004 | A10266-1051 | 1.0 MOHM .25W 5 CF T/R | E 1 |
| R1005 | A10266-2751 | 2.7 MOHM .25W 5% CF T/R | E 1 |
| R1006 | A10266-4751 | 4.7 MOHM .25W 5 CF T/R | E 1 |
| R1007 | A10266-3322 | 3.3 KOHM .5W 5% CF T/R | C 1 |
| U900 | C 7444-0 | LM393 DUAL COMPARATOR | B 1 |
| | | | |
| | | | |
| | | | |

INACTIVE

For Reference Use Only

THESE DRAWINGS AND SPECIFICATIONS ARE THE PROPERTY OF CROWN INTERNATIONAL, INC. AND SHALL NOT BE REPRODUCED, COPIED, OR USED AS THE BASIS FOR THE MANUFACTURE OR SALE OF APPARATUS OR DEVICES WITHOUT PERMISSION.

CROWN INTERNATIONAL INC.

1718 WEST MISHAWAKA ROAD ELKHART, INDIANA 46517 PHONE (219) 294-8000

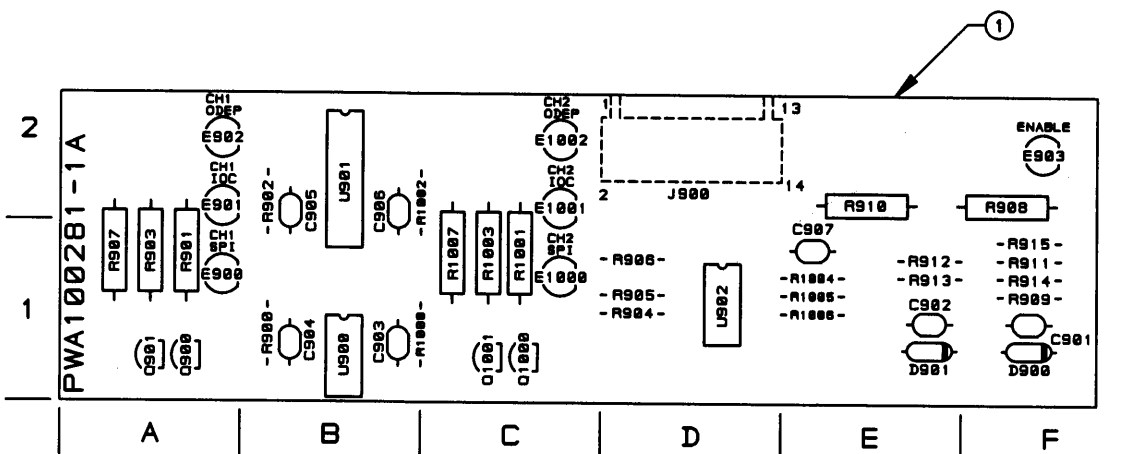
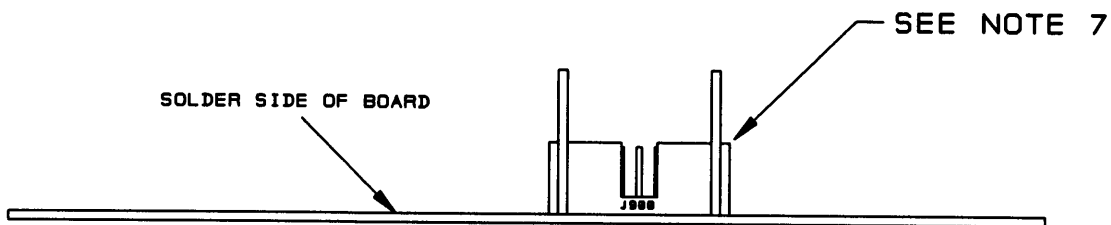
| | | | | | |
|-------|------|----------|----------|------------------|-----|
| DRAWN | TLM | 08-06-96 | DWG. NO. | SHEET 5 | REV |
| PROJ. | D360 | | 100281 | CONT. ON SHEET 6 | (A) |

COMPONENT MAP

(COMPONENT SIDE VIEW)

DWG. NO. 100281

REV (A)



INACTIVE

For Reference Use Only

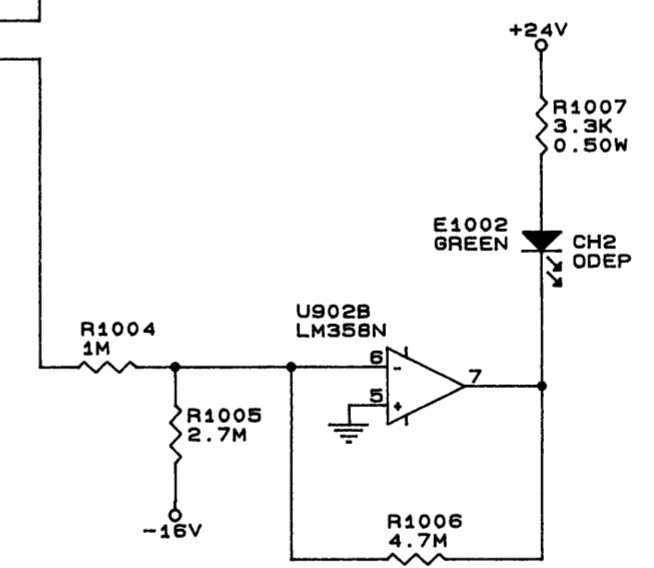
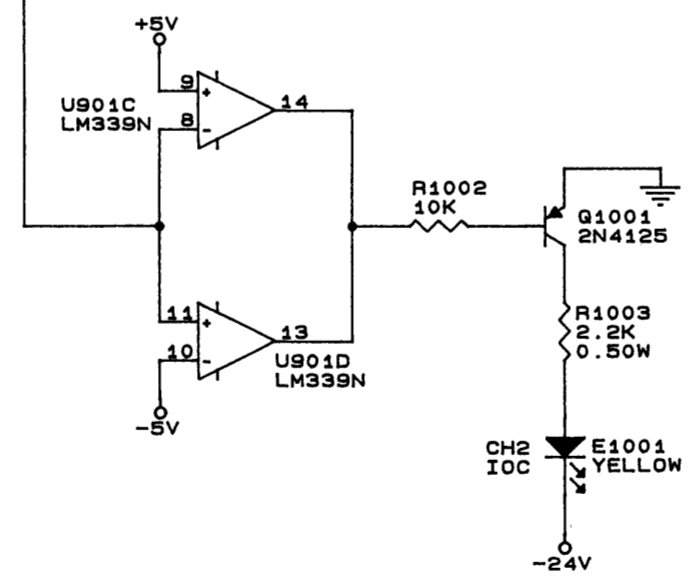
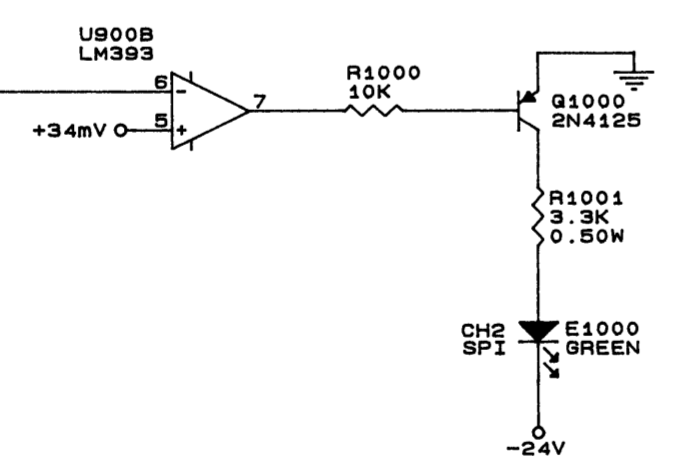
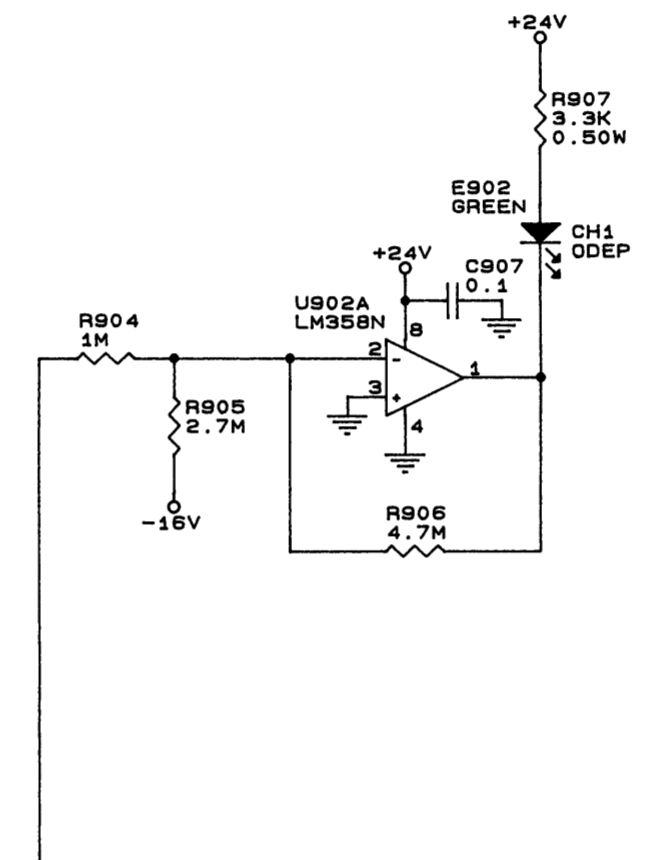
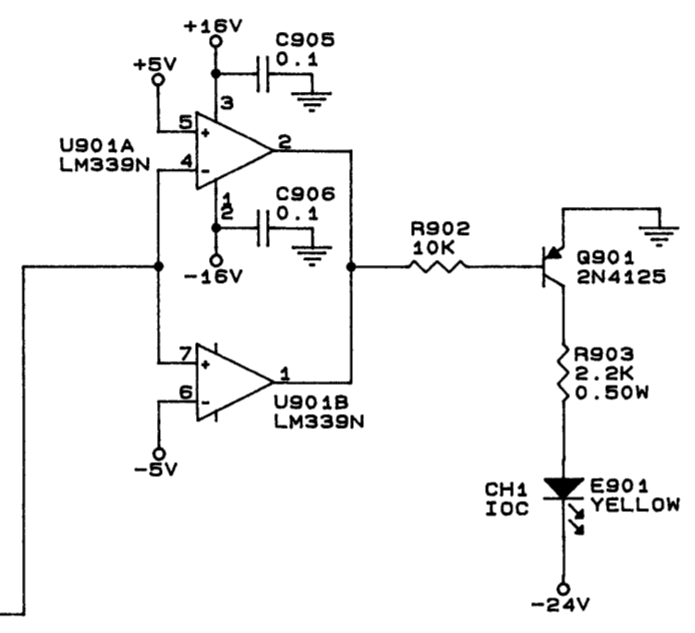
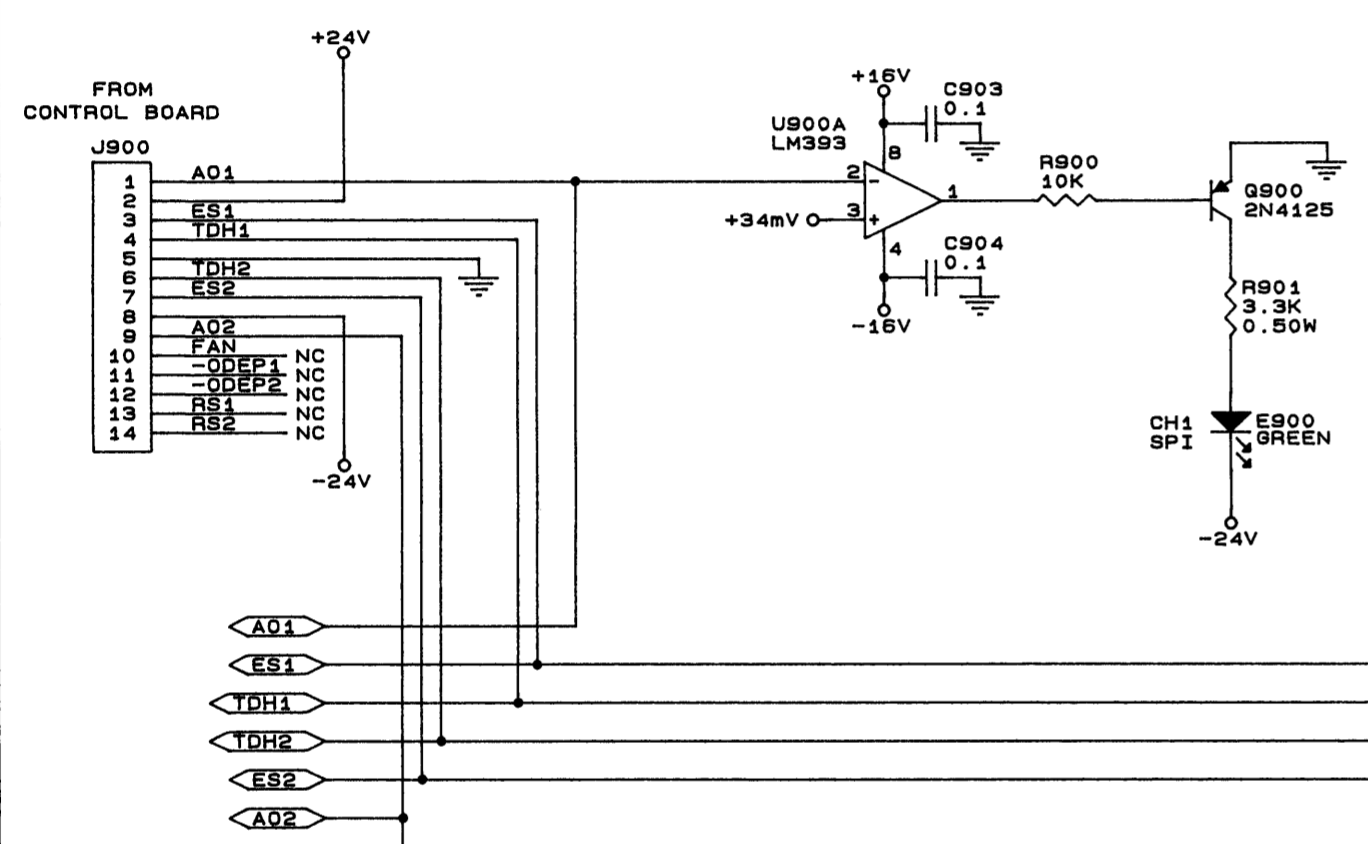
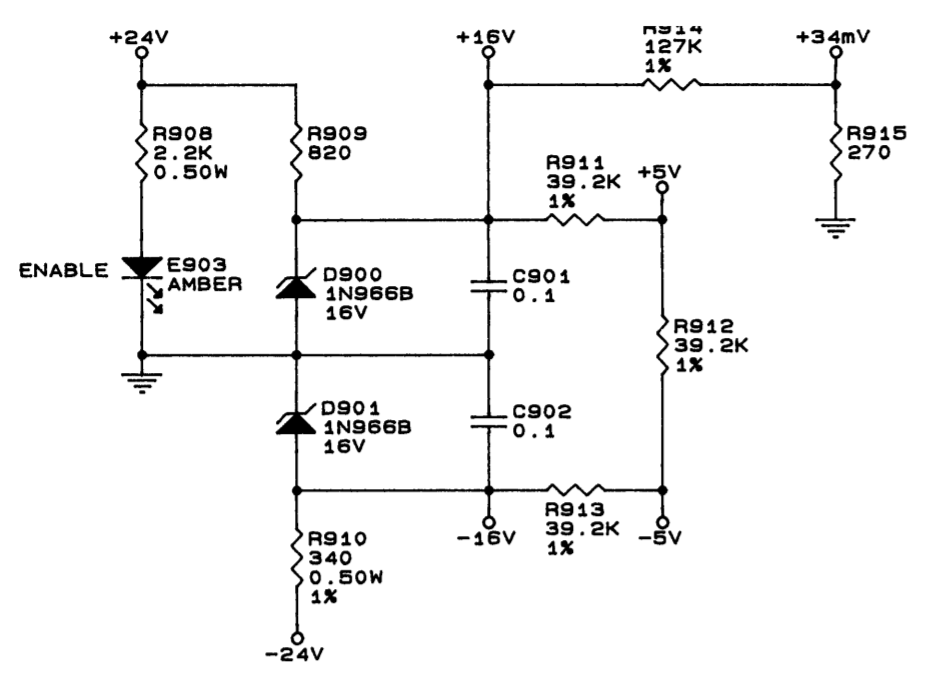
CROWN INTERNATIONAL INC.

1718 WEST MISHAWAKA RD. ELKHART, INDIANA 46517 PHONE (219)294-8000

THESE DRAWINGS AND SPECIFICATIONS ARE THE PROPERTY OF CROWN INTERNATIONAL INC. AND SHALL NOT BE REPRODUCED, COPIED, OR USED AS THE BASIS FOR THE MANUFACTURE OR SALE OF APPARATUS OR DEVICES WITHOUT PERMISSION.

| | | | | |
|-------|------|----------|----------|-----|
| SCALE | NONE | DWG. NO. | SHEET 7 | REV |
| PROJ | D360 | 100281 | CONT. ON | (A) |
| | | | SHEET - | |

| E.C. | ZONE | REV | DESCRIPTION | DATE | BY | APPROVALS |
|------|------|-----|-----------------|----------|-----|----------------|
| | | (A) | INITIAL RELEASE | 07/30/96 | TLM | CK ME EE PE PW |
| | | | | | | |
| | | | | | | |



| LAST USED | OBSOLETE |
|-----------|----------|
| C906 | |
| D901 | |
| E903 | |
| E1002 | |
| Q901 | |
| Q1001 | |
| R915 | |
| R1007 | |
| U902 | |

- NOTES :
- ALL RESISTORS ARE IN OHMS, 1/4W, 5% UNLESS OTHERWISE SPECIFIED.
 - ALL CAPACITORS ARE IN MICROFARADS UNLESS OTHERWISE SPECIFIED.

INACTIVE
For Reference Use Only

CROWN INTERNATIONAL, INC.
1718 WEST MISHAWAKA ROAD ELKHART, IN. 46517 PHONE (219) 294-8000

SCHEMATIC; CT10 DISPLAY

| PRINTS TO | | DRAWN | TLM | 07/30/96 | APPROVED BY : | DO NOT SCALE PRINT |
|-----------|--|-------------|-----|----------------|-------------------|-----------------------|
| G | | | | | | SUPERSEDES |
| CHECKED | | | | ME | | E.C. |
| SCALE | | NONE | | EE | <i>PW 8/30/96</i> | DWG. NO. SHEET 1 OF 1 |
| PROJ # | | D360 | | PE | <i>PW 8/30/96</i> | 100282 (A) |
| FILENAME: | | 1002820.SCM | | NEXT ASSEMBLY: | | |

THESE DRAWINGS AND SPECIFICATIONS ARE THE PROPERTY OF CROWN INTERNATIONAL, INC. AND SHALL NOT BE REPRODUCED, COPIED, OR USED AS THE BASIS FOR THE MANUFACTURE OR SALE OF APPARATUS OR DEVICES WITHOUT PERMISSION.

**CT10A Display Module 102682 Information On Following Pages
Documentation, Component Map, Schematic**

CROWN INTERNATIONAL

INACTIVE
For Reference Use Only

102682

| | | | | |
|----------|---------------|----------------------------|-------------------------------|-------|
| REVISION | A | TITLE: PWA, CT'10A DISPLAY | PRINTS | K |
| MADE BY | TOM SZERENCSE | | SHEET NO. | 1 |
| DATE | 05-27-97 | | CONT. ON SH | 2 |
| PROJ. | MD360D0 | | FIRST MADE FOR: CT'10A SERIES | DRAWN |

REVISION CONTROL SHEET FOR MULTI-SHEET DOCUMENTS

REVISION IN THE UPPER LEFT CORNER OF THIS SHEET IS THE REVISION FOR THE ENTIRE DOCUMENT

| | | | | | | | | | | | |
|-------------|----------|--|--|--|--|--|--|--|--|--|--|
| REFERENCE → | | | | | | | | | | | |
| DATE → | 05-27-97 | | | | | | | | | | |
| SHEET NO. ↓ | | | | | | | | | | | |
| 3 | A | | | | | | | | | | |
| 4 | A | | | | | | | | | | |
| 5 | A | | | | | | | | | | |
| 6 | A | | | | | | | | | | |
| 7 | A | | | | | | | | | | |
| | | | | | | | | | | | |
| | | | | | | | | | | | |
| | | | | | | | | | | | |
| | | | | | | | | | | | |
| | | | | | | | | | | | |
| | | | | | | | | | | | |
| | | | | | | | | | | | |
| | | | | | | | | | | | |
| | | | | | | | | | | | |
| | | | | | | | | | | | |
| | | | | | | | | | | | |
| | | | | | | | | | | | |
| | | | | | | | | | | | |
| | | | | | | | | | | | |
| | | | | | | | | | | | |
| | | | | | | | | | | | |
| | | | | | | | | | | | |
| | | | | | | | | | | | |
| | | | | | | | | | | | |
| | | | | | | | | | | | |
| | | | | | | | | | | | |
| | | | | | | | | | | | |
| | | | | | | | | | | | |
| | | | | | | | | | | | |
| | | | | | | | | | | | |
| | | | | | | | | | | | |
| | | | | | | | | | | | |

THESE DRAWINGS AND SPECIFICATIONS ARE THE PROPERTY OF CROWN INTERNATIONAL, INC. AND SHALL NOT BE REPRODUCED, COPIED, OR USED AS THE BASIS FOR THE MANUFACTURE OR SALE OF APPARATUS OR DEVICES WITHOUT PERMISSION.

| APPROVALS | NAME | DATE |
|-----------|---------------|---------|
| EE | <i>R. ...</i> | 5-28-97 |
| PE | <i>TS</i> | 5-28-97 |
| MFG | | |

CROWN INTERNATIONAL

102682

| | | | | |
|----------|---------------|----------------------------|-------------------------------|-------|
| REVISION | A | TITLE: PWA, CT'10A DISPLAY | PRINTS | K |
| MADE BY | TOM SZERENCSE | | SHEET NO. | 2 |
| DATE | 05-27-97 | | CONT. ON SH | 3 |
| PROJ. | MD360D0 | | FIRST MADE FOR: CT'10A SERIES | DRAWN |

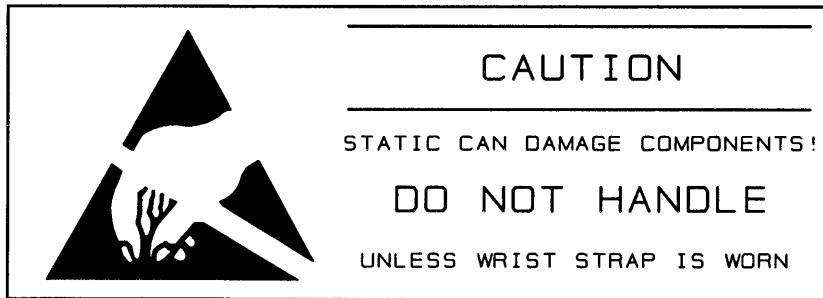
REVISION CONTROL INFORMATION

| NAME | SHEET NO. | SHEET REV. | ACTION |
|---------------|-----------|------------|-----------------|
| TOM SZERENCSE | 1-7 | A | INITIAL RELEASE |
| | | | |

UNLESS OTHERWISE SPECIFIED, THE FINISHED PWA SHALL MEET:
IPC-A-610_ CLASS 2

NOTES:

1. SCHEMATIC DRAWING NUMBER 102684.
2. PWB PART NUMBER 102683-1.
3. PWA PART NUMBER 102682-1.
4. ALL LEADS SHALL BE TRIMMED TO 0.093" OR LESS.
5. POSITION COMPONENTS AS SHOWN ON COMPONENT MAP.
6. REMOVE SOLDER OR PREVENT SOLDER FROM ACCUMULATING IN HOLES AT REFERENCE DESIGNATION LOCATIONS J900. SEE COMPONENT MAP.
7. INSTALL J900 ON THE SOLDER SIDE OF THE BOARD. SEE COMPONENT MAP.



THESE DRAWINGS AND SPECIFICATIONS ARE THE PROPERTY OF CROWN INTERNATIONAL, INC. AND SHALL NOT BE REPRODUCED, COPIED, OR USED AS THE BASIS FOR THE MANUFACTURE OR SALE OF APPARATUS OR DEVICES WITHOUT PERMISSION.

| | | | | |
|--------------------------|---------|------------------------|----------|----------------------|
| CROWN INTERNATIONAL INC. | | | | |
| 1718 WEST MISHAWAKA ROAD | | ELKHART, INDIANA 46517 | | PHONE (219) 294-8000 |
| DRAWN | TLM | 05-27-97 | DWG. NO. | SHEET 3 |
| PROJ. | MD360D0 | | 102682 | CONT. ON SHEET 4 |
| | | | | REV (A) |

| PARTS LIST | | | |
|--------------|------------------------------|-----|--|
| C. P. N. | DESCRIPTION | QTY | REFERENCE DESIGNATION |
| 102683-1 | PWB. CT 10A DISPLAY. . . | 1 | 1 |
| A10265-12731 | 127 KOHM .25W 1 MF T/R | 2 | R1014, R914 |
| A10265-34002 | 340. OHM .5W 1% MF T/R | 1 | R910 |
| A10265-39221 | 39.2KOHM .25W 1% MF T/R | 3 | R911, R912, R913 |
| A10266-1031 | 10. KOHM .25W 5% CF T/R | 4 | R1000, R1002, R900, R902 |
| A10266-1051 | 1.0 MOHM .25W 5 CF T/R | 2 | R1004, R904 |
| A10266-1641 | 160. KOHM .25W 5% CF T/R | 2 | R1016, R916 |
| A10266-2222 | 2.2 KOHM .5W 5% CF T/R | 3 | R1003, R903, R908 |
| A10266-2711 | 270. OHM .25W 5% CF T/R | 2 | R1015, R915 |
| A10266-2751 | 2.7 MOHM .25W 5% CF T/R | 2 | R1005, R905 |
| A10266-3322 | 3.3 KOHM .5W 5% CF T/R | 4 | R1001, R1007, R901, R907 |
| A10266-4751 | 4.7 MOHM .25W 5 CF T/R | 2 | R1006, R906 |
| A10266-8211 | 820. OHM .25W 5% CF T/R | 1 | R909 |
| C 3533-4 | DIODE, 1N966B 16V ZENER T/R | 2 | D900, D901 |
| C 3625-8 | 2N4125 30V PNP T/R | 4 | Q1000, Q1001, Q900, Q901 |
| C 4345-2 | LM339N VOLT COMPARATOR | 1 | U901 |
| C 6804-6 | .1UF 50V AXIAL CER T/R 104 | 7 | C901, C902, C903, C904, C905, C906, C907 |
| C 7444-0 | LM393 DUAL COMPARATOR | 1 | U900 |
| C 7661-9 | LM358N DUAL OP AMP | 1 | U902 |
| C 9885-2 | 14PIN DUAL ROW HDR .1 X.1 CT | 1 | J900 |
| D 9117-9 | LED, T 1.75 GREEN T/R | 4 | E1000, E1002, E900, E902 |
| D 9118-7 | LED, T 1.75 YELLOW T/R | 2 | E1001, E901 |
| D 9119-5 | LED, T 1.75 ORANGE T/R | 1 | E903 |
| | | | |
| | | | |
| | | | |
| | | | |
| | | | |
| | | | |
| | | | |
| | | | |
| | | | |
| | | | |
| | | | |
| | | | |
| | | | |
| | | | |
| | | | |
| | | | |
| | | | |
| | | | |
| | | | |
| | | | |
| | | | |
| | | | |
| | | | |
| | | | |
| | | | |
| | | | |
| | | | |
| | | | |
| | | | |
| | | | |
| | | | |
| | | | |
| | | | |
| | | | |
| | | | |
| | | | |
| | | | |
| | | | |
| | | | |
| | | | |
| | | | |
| | | | |
| | | | |
| | | | |
| | | | |
| | | | |
| | | | |
| | | | |

| | | | |
|--|---------|----------|--|
| CROWN INTERNATIONAL INC. | | | |
| 1718 WEST MISHAWAKA ROAD ELKHART, INDIANA 46517 PHONE (219) 294-8000 | | | |
| DRAWN | TLM | 05-27-97 | DWG. NO. |
| PROJ. | MD360D0 | | 102682 |
| | | | SHEET 4 CONT. ON SHEET 5 |
| | | | REV A |

THESE DRAWINGS AND SPECIFICATIONS ARE THE PROPERTY OF CROWN INTERNATIONAL, INC. AND SHALL NOT BE REPRODUCED, COPIED, OR USED AS THE BASIS FOR THE MANUFACTURE OR SALE OF APPARATUS OR DEVICES WITHOUT PERMISSION.

PARTS LIST

| REF DES | C.P.N. | DESCRIPTION | MAP LOC. |
|---------|--------------|-------------------------------|----------|
| 1 | 102683-1 | PWB, CT'10A DISPLAY, . . . | |
| C901 | C 6804-6 | .1UF 50V AXIAL CER T/R 104 | F 1 |
| C902 | C 6804-6 | .1UF 50V AXIAL CER T/R 104 | E 1 |
| C903 | C 6804-6 | .1UF 50V AXIAL CER T/R 104 | C 1 |
| C904 | C 6804-6 | .1UF 50V AXIAL CER T/R 104 | B 1 |
| C905 | C 6804-6 | .1UF 50V AXIAL CER T/R 104 | B 2 |
| C906 | C 6804-6 | .1UF 50V AXIAL CER T/R 104 | B 2 |
| C907 | C 6804-6 | .1UF 50V AXIAL CER T/R 104 | E 1 |
| D900 | C 3533-4 | DIODE, 1N966B 16V ZENER T/R | F 1 |
| D901 | C 3533-4 | DIODE, 1N966B 16V ZENER T/R | E 1 |
| E900 | D 9117-9 | LED, T 1.75 GREEN T/R | A 1 |
| E901 | D 9118-7 | LED, T 1.75 YELLOW T/R | A 2 |
| E902 | D 9117-9 | LED, T 1.75 GREEN T/R | A 2 |
| E903 | D 9119-5 | LED, T 1.75 ORANGE T/R | F 2 |
| E1000 | D 9117-9 | LED, T 1.75 GREEN T/R | C 1 |
| E1001 | D 9118-7 | LED, T 1.75 YELLOW T/R | C 2 |
| E1002 | D 9117-9 | LED, T 1.75 GREEN T/R | C 2 |
| J900 | C 9885-2 | 14PIN DUAL ROW HDR .1 X.1 CTR | D 2 |
| Q900 | C 3625-8 | 2N4125 30V PNP T/R | A 1 |
| Q901 | C 3625-8 | 2N4125 30V PNP T/R | A 1 |
| Q1000 | C 3625-8 | 2N4125 30V PNP T/R | C 1 |
| Q1001 | C 3625-8 | 2N4125 30V PNP T/R | C 1 |
| R900 | A10266-1031 | 10. KOHM .25W 5% CF T/R | B 1 |
| R901 | A10266-3322 | 3.3 KOHM .5W 5% CF T/R | A 1 |
| R902 | A10266-1031 | 10. KOHM .25W 5% CF T/R | B 2 |
| R903 | A10266-2222 | 2.2 KOHM .5W 5% CF T/R | A 1 |
| R904 | A10266-1051 | 1.0 MOHM .25W 5 CF T/R | D 1 |
| R905 | A10266-2751 | 2.7 MOHM .25W 5% CF T/R | D 1 |
| R906 | A10266-4751 | 4.7 MOHM .25W 5 CF T/R | D 1 |
| R907 | A10266-3322 | 3.3 KOHM .5W 5% CF T/R | A 1 |
| R908 | A10266-2222 | 2.2 KOHM .5W 5% CF T/R | F 2 |
| R909 | A10266-8211 | 820. OHM .25W 5% CF T/R | F 1 |
| R910 | A10265-34002 | 340. OHM .5W 1% MF T/R | E 2 |
| R911 | A10265-39221 | 39.2KOHM .25W 1% MF T/R | F 1 |
| R912 | A10265-39221 | 39.2KOHM .25W 1% MF T/R | E 1 |
| R913 | A10265-39221 | 39.2KOHM .25W 1% MF T/R | E 1 |
| R914 | A10265-12731 | 127 KOHM .25W 1 MF T/R | B 1 |
| R915 | A10266-2711 | 270. OHM .25W 5% CF T/R | B 1 |
| R916 | A10266-1641 | 160.KOHM .25W 5% CF T/R | B 1 |
| R1000 | A10266-1031 | 10. KOHM .25W 5% CF T/R | C 1 |
| R1001 | A10266-3322 | 3.3 KOHM .5W 5% CF T/R | C 2 |
| R1002 | A10266-1031 | 10. KOHM .25W 5% CF T/R | C 2 |
| R1003 | A10266-2222 | 2.2 KOHM .5W 5% CF T/R | C 2 |
| R1004 | A10266-1051 | 1.0 MOHM .25W 5 CF T/R | E 1 |
| R1005 | A10266-2751 | 2.7 MOHM .25W 5% CF T/R | E 1 |
| R1006 | A10266-4751 | 4.7 MOHM .25W 5 CF T/R | E 1 |
| R1007 | A10266-3322 | 3.3 KOHM .5W 5% CF T/R | C 2 |
| | | | |
| | | | |
| | | | |

CROWN INTERNATIONAL INC.

1718 WEST MISHAWAKA ROAD ELKHART, INDIANA 46517 PHONE (219) 294-8000

THESE DRAWINGS AND SPECIFICATIONS ARE THE PROPERTY OF CROWN INTERNATIONAL, INC. AND SHALL NOT BE REPRODUCED, COPIED, OR USED AS THE BASIS FOR THE MANUFACTURE OR SALE OF APPARATUS OR DEVICES WITHOUT PERMISSION.

| | | | | | |
|-------|---------|----------|----------|------------------|-----|
| DRAWN | TLM | 05-27-97 | DWG. NO. | SHEET 5 | REV |
| PROJ. | MD360D0 | | 102682 | CONT. ON SHEET 6 | (A) |

1

2

COMPONENT MAP (COMPONENT SIDE VIEW)

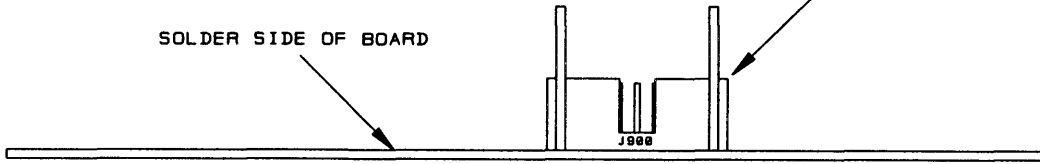
DWG. NO. 102682

REV (A)

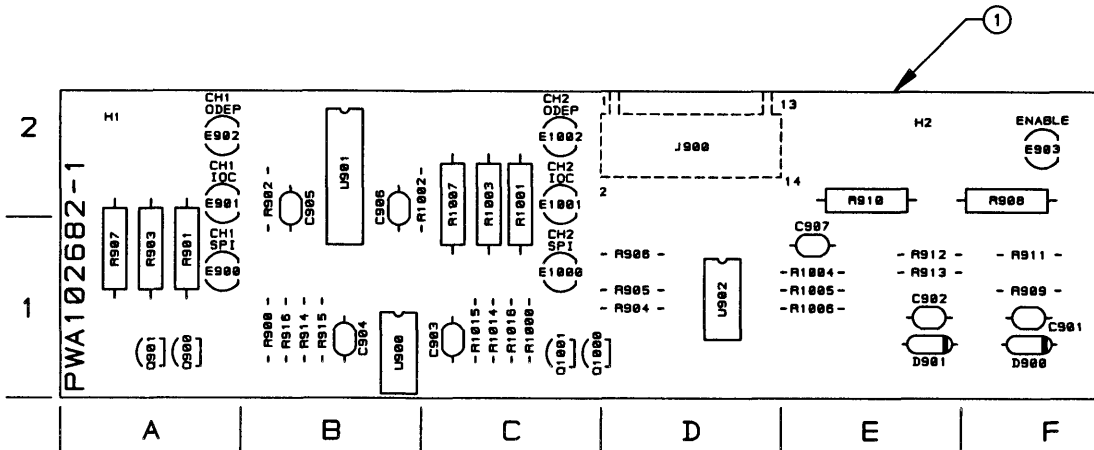
C

SEE NOTE 7

SOLDER SIDE OF BOARD



A



A

A

CROWN INTERNATIONAL INC.
 1718 WEST MISHAWAKA RD. ELKHART, INDIANA 46517 PHONE (219)294-8000

THESE DRAWINGS AND SPECIFICATIONS ARE THE PROPERTY OF CROWN INTERNATIONAL, INC. AND SHALL NOT BE REPRODUCED, COPIED, OR USED AS THE BASIS FOR THE MANUFACTURE OR SALE OF APPARATUS OR DEVICES WITHOUT PERMISSION.

| | |
|-------|---------|
| SCALE | NONE |
| PROJ | MD360D0 |

| | |
|----------|--------|
| DWG. NO. | 102682 |
|----------|--------|

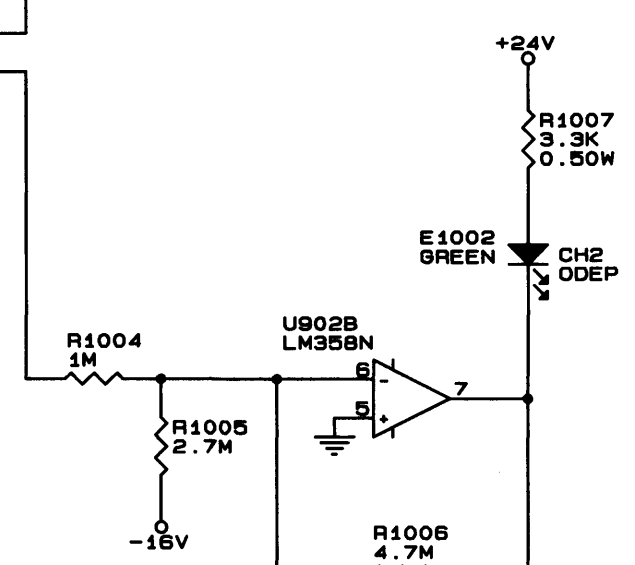
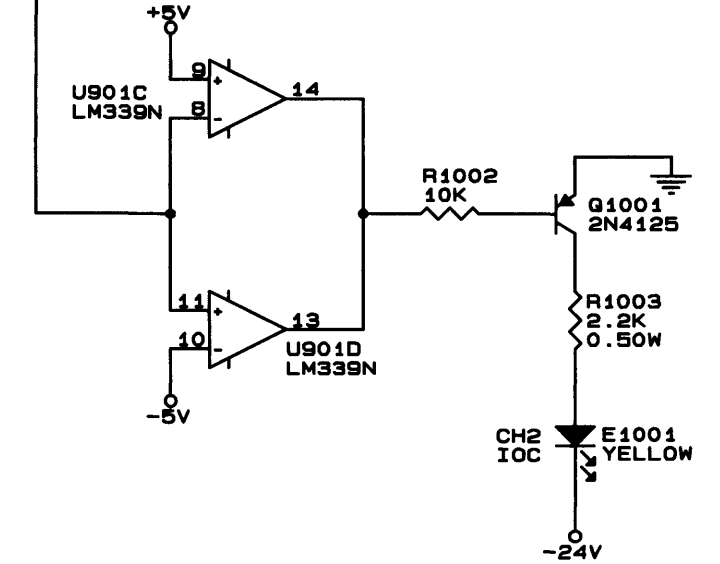
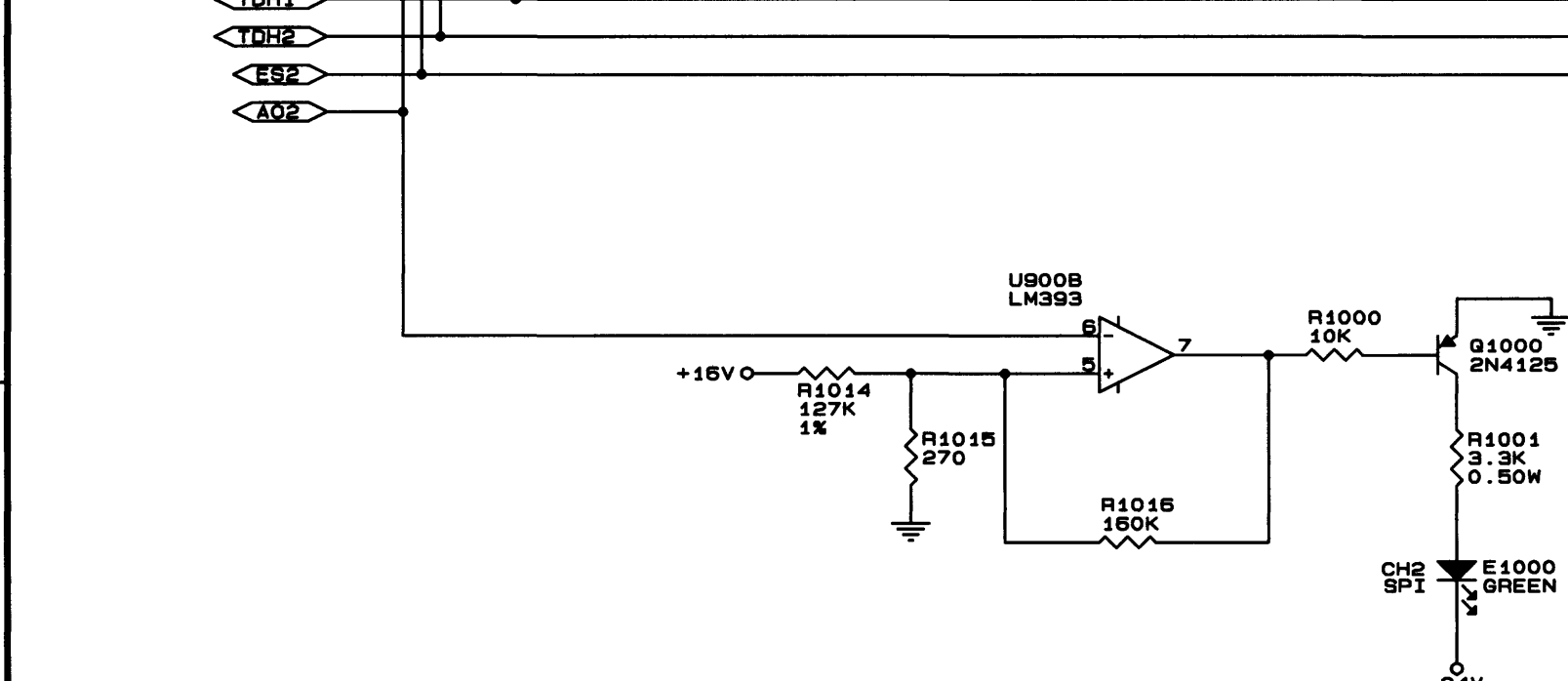
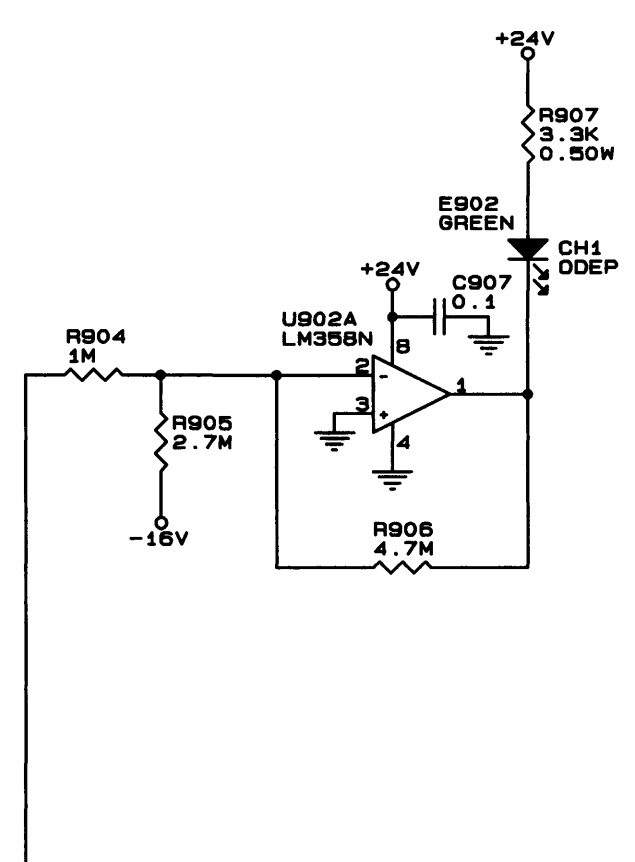
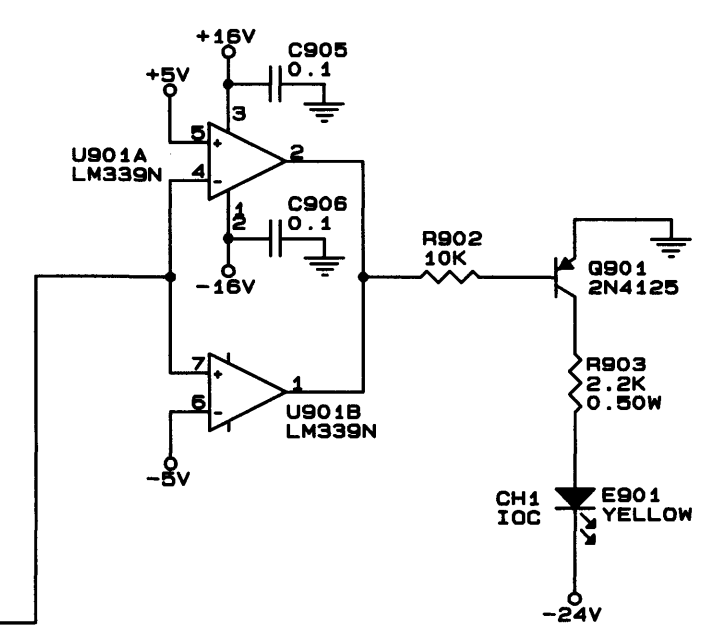
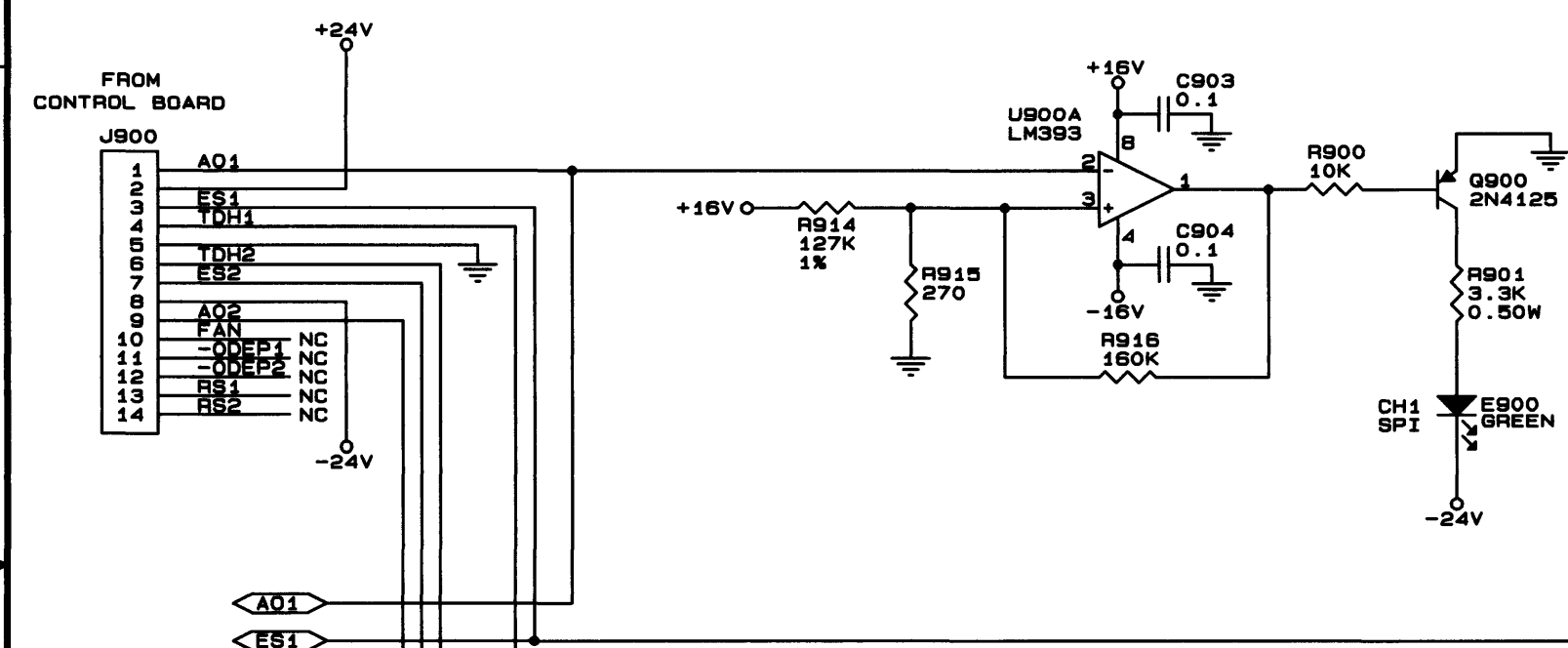
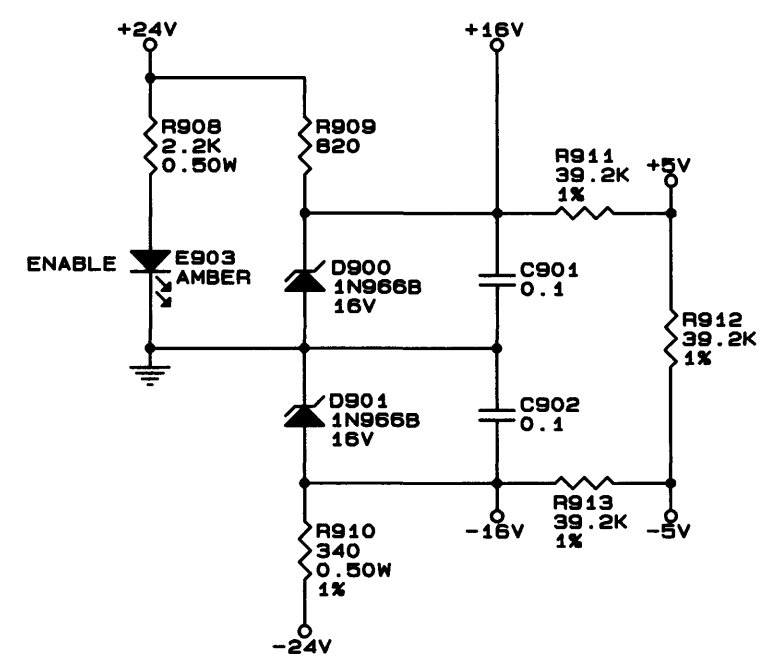
| | |
|----------|---|
| SHEET | 7 |
| CONT. ON | - |
| SHEET | - |

REV (A)

1

2

| E.C. | ZONE | REV | DESCRIPTION | DATE | BY | APPROVALS |
|------|------|-----|-----------------|----------|-----|-----------|
| | | (A) | INITIAL RELEASE | 05/23/97 | TLM | CK ME |
| | | ○ | | | | |
| | | ○ | | | | |



| LAST USED | NOT USED |
|-----------|------------------------------------|
| C907 | |
| D901 | |
| E903 | |
| E1002 | |
| Q901 | |
| G1001 | |
| R916 | |
| R1016 | 1008, 1009, 1010, 1011, 1012, 1013 |
| U902 | |

- NOTES :
- ALL RESISTORS ARE IN OHMS, 1/4W, 5% UNLESS OTHERWISE SPECIFIED.
 - ALL CAPACITORS ARE IN MICROFARADS UNLESS OTHERWISE SPECIFIED.

INACTIVE
For Reference Use Only

THESE DRAWINGS AND SPECIFICATIONS ARE THE PROPERTY OF CROWN INTERNATIONAL, INC. AND SHALL NOT BE REPRODUCED, COPIED, OR USED AS THE BASIS FOR THE MANUFACTURE OR SALE OF APPARATUS OR DEVICES WITHOUT PERMISSION.

CROWN INTERNATIONAL, INC.
1718 WEST MISHAWAKA ROAD ELKHART, IN. 46517 PHONE (219) 294-8000

SCHEMATIC; CT'10A DISPLAY

| PRINTS TO | | DRAWN | | TLM | | 05/23/97 | | APPROVED BY : | | DO NOT SCALE PRINT | |
|-----------|--|-----------|--------------|----------------|--|----------|---------|---------------|--|--------------------|--------------|
| G | | | | | | | | | | | |
| | | CHECKED | | ME | | | | | | | SUPERSEDES |
| | | SCALE | NONE | EE | | | 6-16-97 | | | | E.C. |
| | | PROJ # | MD36000 | PE | | | 6-16-97 | | | DWG. NO. | SHEET 1 OF 1 |
| | | FILENAME: | 1026840A.SCM | NEXT ASSEMBLY: | | | | | | 102684 | REV (A) |


**CT10A Display Module 125402 Information On Following Pages
Documentation, Component Map, Schematic**

| E.C. | ZONE | REV. | DESCRIPTION | DATE | BY | APPROVALS | | | |
|------|------|------|-----------------|----------|-----|-----------|----|----|----|
| | | | | | | CHK | ME | EE | PE |
| | | A | INITIAL RELEASE | 10/28/97 | TLM | KW | | | EB |
| | | | | | | | | | |
| | | | | | | | | | |

UNLESS OTHERWISE SPECIFIED, THE FINISHED PWA SHALL MEET:
IPC-A-610 CLASS 2

NOTES:

1. SCHEMATIC DRAWING NUMBER 125404.
2. PWB PART NUMBER 125403-1.
3. PWA PART NUMBER 125402-1.
4. ALL LEADS SHALL BE TRIMMED TO 0.093" OR LESS.
5. POSITION COMPONENTS AS SHOWN ON COMPONENT MAP.
6. REMOVE SOLDER OR PREVENT SOLDER FROM ACCUMULATING IN HOLES AT REFERENCE DESIGNATION LOCATIONS J900. SEE COMPONENT MAP.
7. INSTALL J900 ON THE SOLDER SIDE OF THE BOARD. SEE COMPONENT MAP.



CAUTION

STATIC CAN DAMAGE COMPONENTS!

DO NOT HANDLE

UNLESS WRIST STRAP IS WORN

INACTIVE
For Reference Use Only

THESE DRAWINGS AND SPECIFICATIONS ARE THE PROPERTY OF CROWN INTERNATIONAL, INC. AND SHALL NOT BE REPRODUCED, COPIED, OR USED AS THE BASIS FOR THE MANUFACTURE OR SALE OF APPARATUS OR DEVICES WITHOUT PERMISSION.

| | | | | | |
|--------------------------|---|---|-----------|----------------------|--|
| CROWN INTERNATIONAL INC. | | 1718 WEST MISHAWAKA ROAD ELKHART, INDIANA 46517 | | PHONE (219) 294-8000 | |
| PRINTS TO | K | PWA, CT10A DISPLAY | | | TOL. UNLESS SPECIFIED X.XX = ± 0.020 X.XXX = ± 0.010 DRILLS = ± 0.003 |
| | | DRAWN | TLM | 10-28-97 | APPROVED BY: |
| | | CHECKED | KW | 10-28-97 | ME |
| | | SCALE | NONE | | EE |
| | | PROJ # | MD390D0 | | PE |
| | | FILENAME: 125402A.001 | NEXT ASM: | | 125402 |
| | | | | | DO NOT SCALE PRINT |
| | | | | | SUPERSEDES |
| | | | | | E.C. |
| | | | | DWG. NO. | SHEET 1 |
| | | | | 125402 | CONT. ON |
| | | | | NEXT ASM: | SHEET 2 |
| | | | | | REV (A) |

PARTS LIST

| C.P.N. | DESCRIPTION | QTY | REFERENCE DESIGNATION |
|--------------|------------------------------|-----|---|
| A10265-12731 | 127 KOHM .25W 1 MF T/R | 2 | R914, R1014 |
| A10265-34002 | 340. OHM .5W 1% MF T/R | 1 | R910 |
| A10265-39221 | 39.2KOHM .25W 1% MF T/R | 3 | R911, R912, R913 |
| A10266-1031 | 10. KOHM .25W 5% CF T/R | 4 | R1000, R1002, R900, R902 |
| A10266-1051 | 1.0 MOHM .25W 5 CF T/R | 2 | R1004, R904 |
| A10266-1641 | 160 KOHM .25W 5 CF T/R | 2 | R1016, R916 |
| A10266-2222 | 2.2 KOHM .5W 5% CF T/R | 3 | R1003, R903, R908 |
| A10266-2711 | 270. OHM .25W 5% CF T/R | 2 | R1015, R915 |
| A10266-2751 | 2.7 MOHM .25W 5% CF T/R | 2 | R1005, R905 |
| A10266-3322 | 3.3 KOHM .5W 5% CF T/R | 4 | R1001, R1007, R901, R907 |
| A10266-4751 | 4.7 MOHM .25W 5 CF T/R | 2 | R1006, R906 |
| A10266-5621 | 5.6 KOHM .25W 5% CF T/R | 2 | R918, R920 |
| A10266-8211 | 820. OHM .25W 5% CF T/R | 1 | R909 |
| C 3533-4 | DIODE, 1N966B 16V ZENER T/R | 2 | D900, D901 |
| C 3625-8 | 2N4125 30V PNP T/R | 5 | Q1000, Q1001, Q900, Q901, Q902 |
| C 4345-2 | LM339N VOLT COMPARATOR | 1 | U901 |
| C 5900-3 | DIODE, 1N960B 9.1V ZENER T/R | 1 | D902 |
| C 6804-6 | .1UF 50V AXIAL CER T/R 104 | 7 | C901, C902, C903, C904, C905, C906, C907 |
| C 7444-0 | LM393 DUAL COMPARATOR | 1 | U900 |
| C 7661-9 | LM358N DUAL OP AMP | 1 | U902 |
| C 9885-2 | 14PIN DUAL ROW HDR .1 X.1 CT | 1 | J900 |
| D 9117-9 | LED, T 1.75 GREEN T/R | 4 | E1000, E1002, E900, E902 |
| D 9118-7 | LED, T 1.75 YELLOW T/R | 2 | E1001, E901 |
| D 9119-5 | LED, T 1.75 ORANGE T/R | 1 | E903 |
| 125403-1 | PWB, CT10 DISPLAY, , , | 1 | 1 |
| | | | |
| | | | |
| | | | |
| | | | |
| | | | |
| | | | |
| | | | |
| | | | |
| | | | |
| | | | |
| | | | |
| | | | |
| | | | |
| | | | |
| | | | |
| | | | |
| | | | |
| | | | |
| | | | |
| | | | |
| | | | |
| | | | |
| | | | |
| | | | |
| | | | |
| | | | |
| | | | |

CROWN INTERNATIONAL INC.

1718 WEST MISHAWAKA ROAD ELKHART, INDIANA 46517

PHONE (219) 294-8000

THESE DRAWINGS AND SPECIFICATIONS ARE THE PROPERTY OF CROWN INTERNATIONAL, INC. AND SHALL NOT BE REPRODUCED, COPIED, OR USED AS THE BASIS FOR THE MANUFACTURE OR SALE OF APPARATUS OR DEVICES WITHOUT PERMISSION.

DRAWN

TLM

10-28-97

DWG. NO.

PROJ.

MD360D0

125402

| | |
|----------|---|
| SHEET | 2 |
| CONT. ON | |
| SHEET | 3 |

REV

| |
|-----|
| (A) |
|-----|

PARTS LIST

| REF DES | C. P. N. | DESCRIPTION | MAP LOC. |
|---------|--------------|-------------------------------|----------|
| 1 | 125403-1 | PWB, CT10 DISPLAY, , , | |
| C901 | C 6804-6 | .1UF 50V AXIAL CER T/R 104 | F 1 |
| C902 | C 6804-6 | .1UF 50V AXIAL CER T/R 104 | E 1 |
| C903 | C 6804-6 | .1UF 50V AXIAL CER T/R 104 | B 1 |
| C904 | C 6804-6 | .1UF 50V AXIAL CER T/R 104 | B 1 |
| C905 | C 6804-6 | .1UF 50V AXIAL CER T/R 104 | B 2 |
| C906 | C 6804-6 | .1UF 50V AXIAL CER T/R 104 | B 2 |
| C907 | C 6804-6 | .1UF 50V AXIAL CER T/R 104 | E 1 |
| D900 | C 3533-4 | DIODE, 1N966B 16V ZENER T/R | F 1 |
| D901 | C 3533-4 | DIODE, 1N966B 16V ZENER T/R | E 1 |
| D902 | C 5900-3 | DIODE, 1N960B 9.1V ZENER T/R | E 2 |
| E900 | D 9117-9 | LED, T 1.75 GREEN T/R | A 1 |
| E901 | D 9118-7 | LED, T 1.75 YELLOW T/R | A 2 |
| E902 | D 9117-9 | LED, T 1.75 GREEN T/R | A 2 |
| E903 | D 9119-5 | LED, T 1.75 ORANGE T/R | F 2 |
| E1000 | D 9117-9 | LED, T 1.75 GREEN T/R | C 1 |
| E1001 | D 9118-7 | LED, T 1.75 YELLOW T/R | C 2 |
| E1002 | D 9117-9 | LED, T 1.75 GREEN T/R | C 2 |
| J900 | C 9885-2 | 14PIN DUAL ROW HDR .1 X.1 CTR | D 2 |
| Q900 | C 3625-8 | 2N4125 30V PNP T/R | A 1 |
| Q901 | C 3625-8 | 2N4125 30V PNP T/R | A 1 |
| Q902 | C 3625-8 | 2N4125 30V PNP T/R | F 2 |
| Q1000 | C 3625-8 | 2N4125 30V PNP T/R | C 1 |
| Q1001 | C 3625-8 | 2N4125 30V PNP T/R | C 1 |
| R900 | A10266-1031 | 10. KOHM .25W 5% CF T/R | B 1 |
| R901 | A10266-3322 | 3.3 KOHM .5W 5% CF T/R | A 1 |
| R902 | A10266-1031 | 10. KOHM .25W 5% CF T/R | B 2 |
| R903 | A10266-2222 | 2.2 KOHM .5W 5% CF T/R | A 1 |
| R904 | A10266-1051 | 1.0 MOHM .25W 5 CF T/R | D 1 |
| R905 | A10266-2751 | 2.7 MOHM .25W 5% CF T/R | D 1 |
| R906 | A10266-4751 | 4.7 MOHM .25W 5 CF T/R | D 1 |
| R907 | A10266-3322 | 3.3 KOHM .5W 5% CF T/R | A 1 |
| R908 | A10266-2222 | 2.2 KOHM .5W 5% CF T/R | F 1 |
| R909 | A10266-8211 | 820. OHM .25W 5% CF T/R | F 1 |
| R910 | A10265-34002 | 340. OHM .5W 1% MF T/R | E 1 |
| R911 | A10265-39221 | 39.2KOHM .25W 1% MF T/R | F 1 |
| R912 | A10265-39221 | 39.2KOHM .25W 1% MF T/R | E 1 |
| R913 | A10265-39221 | 39.2KOHM .25W 1% MF T/R | E 1 |
| R914 | A10265-12731 | 127 KOHM .25W 1 MF T/R | B 1 |
| R915 | A10266-2711 | 270. OHM .25W 5% CF T/R | B 1 |
| R916 | A10266-1641 | 160 KOHM .25W 5% CF T/R | B 1 |
| R918 | A10266-5621 | 5.6 KOHM .25W 5% CF T/R | E 2 |
| R920 | A10266-5621 | 5.6 KOHM .25W 5% CF T/R | F 2 |
| R1000 | A10266-1031 | 10. KOHM .25W 5% CF T/R | C 1 |
| R1001 | A10266-3322 | 3.3 KOHM .5W 5% CF T/R | C 1 |
| R1002 | A10266-1031 | 10. KOHM .25W 5% CF T/R | C 2 |
| R1003 | A10266-2222 | 2.2 KOHM .5W 5% CF T/R | C 1 |
| | | | |
| | | | |
| | | | |

CROWN INTERNATIONAL INC.

1718 WEST MISHAWAKA ROAD ELKHART, INDIANA 46517 PHONE (219) 294-8000

THESE DRAWINGS AND SPECIFICATIONS ARE THE PROPERTY OF CROWN INTERNATIONAL, INC. AND SHALL NOT BE REPRODUCED, COPIED, OR USED AS THE BASIS FOR THE MANUFACTURE OR SALE OF APPARATUS OR DEVICES WITHOUT PERMISSION.

| | | | | | |
|-------|---------|----------|----------|----------|-----|
| DRAWN | TLM | 10-28-97 | DWG. NO. | SHEET 3 | REV |
| PROJ. | MD360D0 | | 125402 | CONT. ON | (A) |
| | | | | SHEET 4 | |

1

2

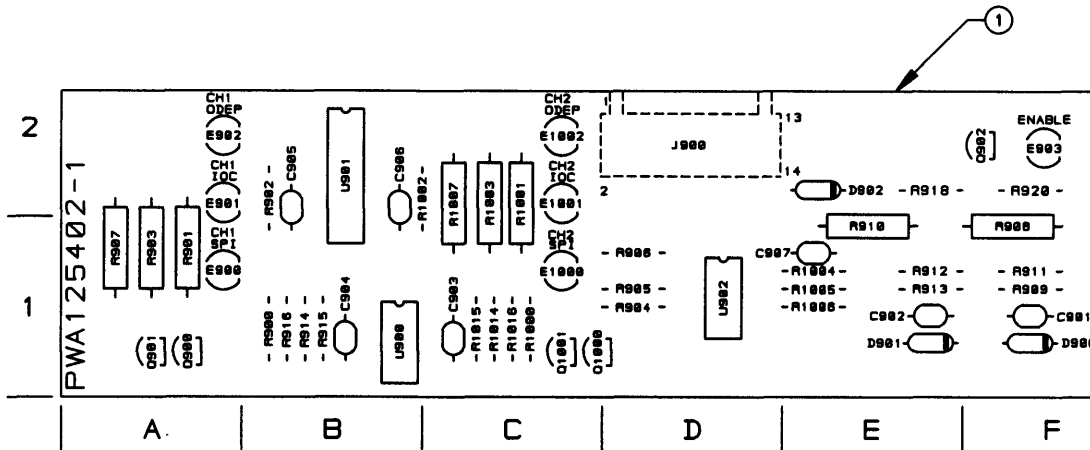
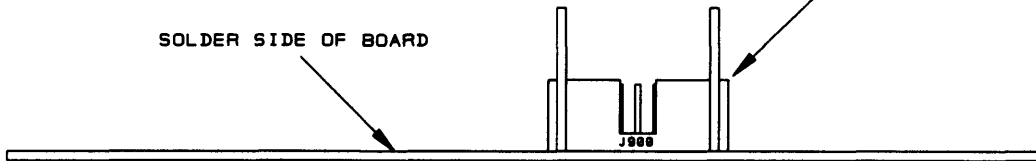
COMPONENT MAP (COMPONENT SIDE VIEW)

DWG. NO. 125402

REV (A)

SOLDER SIDE OF BOARD

SEE NOTE 7



CROWN INTERNATIONAL INC.

1718 WEST MISHAWAKA RD. ELKHART, INDIANA 46517 PHONE (219)294-8000

THESE DRAWINGS AND SPECIFICATIONS ARE THE PROPERTY OF CROWN INTERNATIONAL, INC. AND SHALL NOT BE REPRODUCED, COPIED, OR USED AS THE BASIS FOR THE MANUFACTURE OR SALE OF APPARATUS OR DEVICES WITHOUT PERMISSION.

| | |
|-------|---------|
| SCALE | NONE |
| PROJ | MD360D8 |

DWG. NO.

125402

SHEET 5
CONT. ON
SHEET -

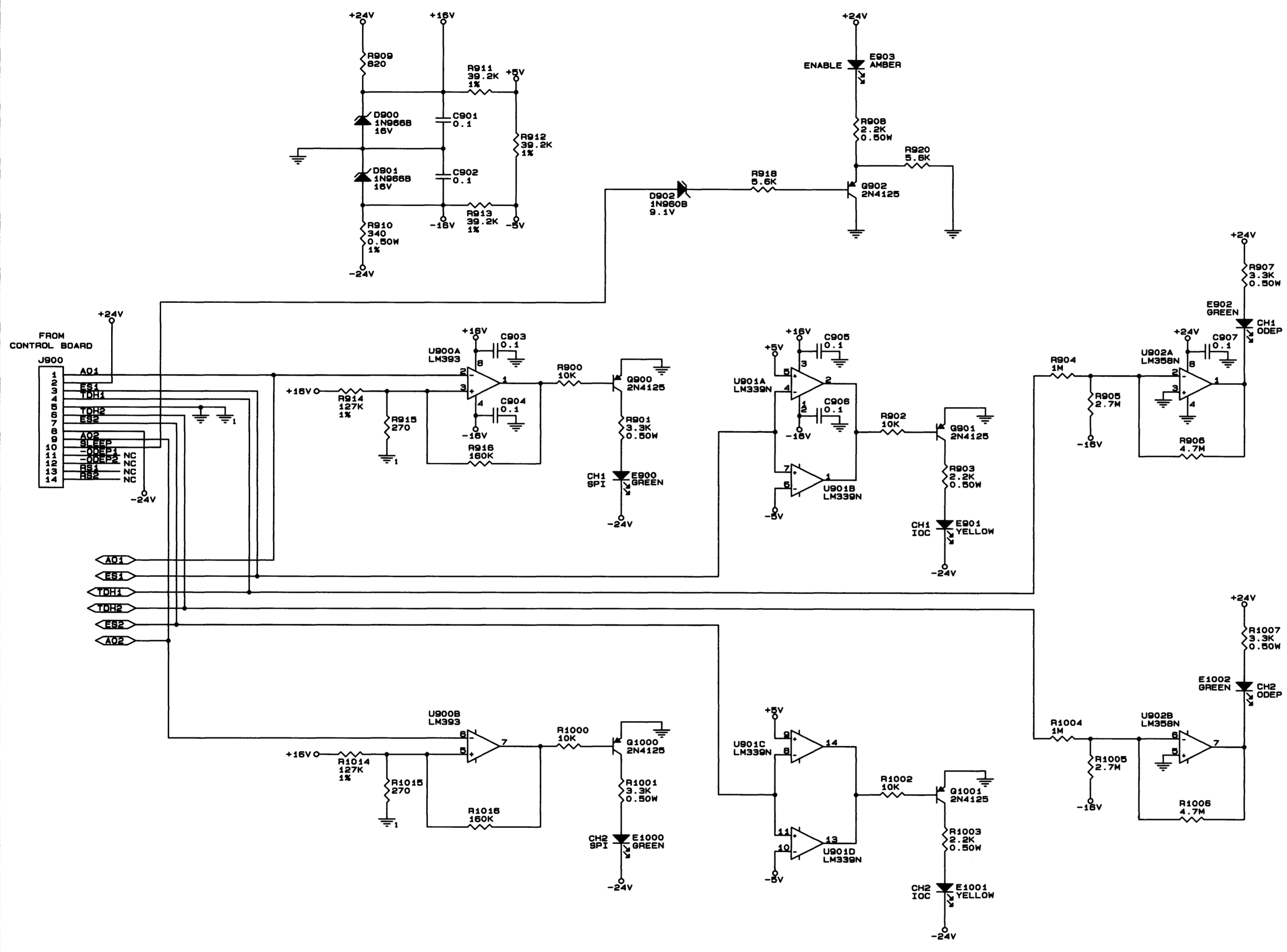
REV

(A)

1

2

| E.C. | ZONE | REV | DESCRIPTION | DATE | BY | APPROVALS |
|------|------|-----|-----------------|----------|-----|-------------|
| | | (A) | INITIAL RELEASE | 10/28/97 | TLM | Kw ME EE PE |
| | | | | | | |
| | | | | | | |



| LAST USED | NOT USED |
|-----------|------------------------------------|
| C907 | |
| D902 | |
| E903 | |
| E1002 | |
| G902 | |
| G1001 | |
| R920 | 917, 919 |
| R1016 | 1008, 1009, 1010, 1011, 1012, 1013 |
| U902 | |

- NOTES :
- ALL RESISTORS ARE IN OHMS, 1/4W, 5% UNLESS OTHERWISE SPECIFIED.
 - ALL CAPACITORS ARE IN MICROFARADS UNLESS OTHERWISE SPECIFIED.

INACTIVE
For Reference Use Only

CROWN INTERNATIONAL, INC.
1718 WEST MISHAWAKA ROAD ELKHART, IN. 46517 PHONE (219) 294-8000

SCHEMATIC; CT '10A DISPLAY W/SLEEP

| | | | | | |
|-----------|-------------|----------|----------------|--------------------|-----------------------|
| PRINTS TO | G | | | | |
| DRAWN | TLM | 10/28/97 | APPROVED BY : | DO NOT SCALE PRINT | |
| CHECKED | Kw | 10-28-97 | ME | SUPERSEDES | |
| SCALE | NONE | | EE | E.C. | |
| PROJ # | M036000 | | PE | 10-28-97 | DWG. NO. SHEET 1 OF 1 |
| FILENAME: | 125404A.SCM | | NEXT ASSEMBLY: | 125404 | REV (A) |

THESE DRAWINGS AND SPECIFICATIONS ARE THE PROPERTY OF CROWN INTERNATIONAL, INC. AND SHALL NOT BE REPRODUCED, COPIED, OR USED AS THE BASIS FOR THE MANUFACTURE OR SALE OF APPARATUS OR DEVICES WITHOUT PERMISSION.

**CT810/1610 Output Module Information On Following Pages
Documentation, Component map, Schematic**

CROWN INTERNATIONAL

INACTIVE
For Reference Use Only

100289

| | | | | |
|----------|---------------|---|-----------------------------|-------|
| REVISION | A | TITLE: PWA; CT810/1610 OUTPUT | PRINTS | K |
| MADE BY | TOM SZERENCSE | | SHEET NO. | 1 |
| DATE | 08-08-96 | | CONT. ON SH | 2 |
| PROJ. | D360 | | FIRST MADE FOR: CT10 SERIES | DRAWN |

REVISION CONTROL SHEET FOR MULTI-SHEET DOCUMENTS

REVISION IN THE UPPER LEFT CORNER OF THIS SHEET IS THE REVISION FOR THE ENTIRE DOCUMENT

| | | | | | | | | | | | | | | | | | | | | | |
|-------------|----------|--|--|--|--|--|--|--|--|--|--|--|--|--|--|--|--|--|--|--|--|
| REFERENCE ⇌ | | | | | | | | | | | | | | | | | | | | | |
| DATE ⇌ | 08-08-96 | | | | | | | | | | | | | | | | | | | | |
| SHEET NO. ↓ | | | | | | | | | | | | | | | | | | | | | |
| 3 | A | | | | | | | | | | | | | | | | | | | | |
| 4 | A | | | | | | | | | | | | | | | | | | | | |
| 5 | A | | | | | | | | | | | | | | | | | | | | |
| 6 | A | | | | | | | | | | | | | | | | | | | | |
| 7 | A | | | | | | | | | | | | | | | | | | | | |
| 8 | A | | | | | | | | | | | | | | | | | | | | |

| | | | |
|--|-----------|--------------------|---------|
| <p>THESE DRAWINGS AND SPECIFICATIONS ARE THE PROPERTY OF CROWN INTERNATIONAL, INC. AND SHALL NOT BE REPRODUCED, COPIED, OR USED AS THE BASIS FOR THE MANUFACTURE OR SALE OF APPARATUS OR DEVICES WITHOUT PERMISSION.</p> | APPROVALS | NAME | DATE |
| | EE | <i>[Signature]</i> | 8/27/96 |
| | PE | <i>[Signature]</i> | 8-29-96 |
| | MFG | | |

CROWN INTERNATIONAL

100289

| | | | | |
|----------|---------------|---|-------------|-----|
| REVISION | A | TITLE: PWA; CT810/1610 OUTPUT FIRST MADE FOR: CT10 SERIES | PRINTS | K |
| MADE BY | TOM SZERENCSE | | SHEET NO. | 2 |
| DATE | 08-08-96 | | CONT. ON SH | 3 |
| PROJ. | D360 | | DRAWN | TLM |


REVISION CONTROL INFORMATION

| NAME | SHEET NO. | SHEET REV. | ACTION |
|-----------|-----------|------------|-----------------|
| PAT WIERS | 1-8 | A | INITIAL RELEASE |
| | | | |

UNLESS OTHERWISE SPECIFIED, THE FINISHED PWA SHALL MEET:
IPC-A-610L CLASS 2

NOTES:

1. SCHEMATIC DRAWING NUMBER 100290.
2. PWB PART NUMBER 100286-1.
3. PWA PART NUMBER 100289-1.
4. ALL LEADS SHALL BE TRIMMED ACCORDING TO ILLUSTRATION 2 OF DRAWING T10131-0 REV. A.
5. POSITION COMPONENTS AS SHOWN ON COMPONENT MAP.
6. AFTER WAVE SOLDERING REMOVE BREAK OUT OVAL. SEE COMPONENT MAP.
7. AFTER WAVE SOLDERING, INSTALL COMPONENTS Q01, Q02, Q01X AND Q02X AS FOLLOWS:
 - LAY THE CIRCUIT BOARD ON 0.032" SPACERS THAT ARE PLACED ON A FLAT SURFACE.
 - PLACE THE TRANSISTOR IN THE OPENING OF THE PWB. WITH THE TRANSISTOR LAYING AGAINST THE FLAT SURFACE. FORM THE TRANSISTOR LEADS TO THE PWB. THIS WILL REDUCE THE STRAIN ON THE COMPONENT LEADS.
 - SOLDER THE TRANSISTOR LEADS TO THE PADS ON THE BOARD.
 - SOLDER Q01X AND Q02X HOLD DOWN CLIPS (D 6414-3) TO THE PADS ON THE PWB AS SHOWN ON THE COMPONENT MAP TOP VIEW.
8. AFTER WAVE SOLDERING INSTALL COMPONENTS P00, P01 AND L02 AS SHOWN ON COMPONENT MAP SIDE VIEW. NOTE ORIENTATION OF THE COMPONENTS.
9. THE CROWN PART NUMBER FOR THIS MODULE SHALL BE MARKED ON THE PRINTED CIRCUIT BOARD IN THE PROVIDED BOX AND SHALL BE PERMANENT.

| | |
|---|--|
|  | <p>CAUTION</p> <hr/> <p>STATIC CAN DAMAGE COMPONENTS!</p> <p>DO NOT HANDLE</p> <p>UNLESS WRIST STRAP IS WORN</p> |
|---|--|

THESE DRAWINGS AND SPECIFICATIONS ARE THE PROPERTY OF CROWN INTERNATIONAL, INC. AND SHALL NOT BE REPRODUCED, COPIED, OR USED AS THE BASIS FOR THE MANUFACTURE OR SALE OF APPARATUS OR DEVICES WITHOUT PERMISSION.

| | | | |
|---------------------------------|------|------------------------|--------------------------------|
| CROWN INTERNATIONAL INC. | | | |
| 1718 WEST MISHAWAKA ROAD | | ELKHART, INDIANA 46517 | PHONE (219) 294-8000 |
| DRAWN | TLM | 08-08-96 | DWG. NO. |
| PROJ. | D360 | 100289 | |
| | | | SHEET 3 CONT. ON SHEET 4 |
| | | | REV (A) |

PARTS LIST

| C. P. N. | DESCRIPTION | QTY | REFERENCE DESIGNATION |
|--------------|------------------------------|-----|---|
| 100286-1 | PWB, CT10 OUTPUT, , , | 1 | 1 |
| A10265-11301 | 113 OHM .25W 1% MF T/R | 1 | R35 |
| A10266-1011 | 100. OHM .25W 5% CF T/R | 2 | R08, R19 |
| A10266-1331 | 13.0KOHM .25W 5% CF T/R | 2 | R04, R06 |
| A10266-2201 | 22.0 OHM .25W 5 CF T/R | 3 | R10, R11, R12 |
| A10266-2221 | 2.2 KOHM .25W 5% CF T/R | 1 | R00 |
| A10266-2721 | 2.7 KOHM .25W 5 CF T/R | 2 | R34, R36 |
| A10266-2R74 | 2.7 OHM 2W 5% CF T/R | 3 | R21, R23, R24 |
| A10266-3911 | 390. OHM .25W 5% CF T/R | 1 | R01 |
| A10266-5101 | 51.0 OHM .25W 5% CF T/R | 1 | R03 |
| A10266-7501 | 75.0 OHM .25W 5 CF T/R | 2 | R05, R07 |
| C 2851-1 | RECTIFIER, 1N4004 SILICON T/ | 10 | D00, D01, D02, D03, D04, D05, D10, D11, D12, D13 |
| C 2941-0 | DIODE, 1N5402 3A 200V | 4 | D06, D07, D08, D09 |
| C 3510-2 | CHOKE, 10% AXIAL 470 UH TR | 2 | L00, L01 |
| C 5868-2 | 0 OHM.25W 20 MILOHM MAX T/R | 14 | Z1, Z10, Z11, Z12, Z13, Z14, Z2, Z3, Z4, Z5, Z6, Z7, Z8, Z9, |
| C 6486-2 | 0.2 OHM 5W 5% WIRE | 12 | R13, R14, R15, R16, R17, R18, R26, R27, R28, R30, R31, R32, |
| C 6806-1 | .01UF 100V AXIAL CER T/R 103 | 3 | C01, C04, C05 |
| C 6807-9 | .001UF 100V 10% AXL CER T/R | 1 | C00 |
| C 6809-5 | 220PF 100V AXIAL CER T/R 221 | 1 | C02 |
| C 6810-3 | 180PF 100V AXIAL CER T/R 181 | 1 | C03 |
| C 6844-2 | 250 OHM LNR VERT ADJ TRIMPOT | 2 | R02, R33 |
| C 7697-3 | .01 UF 500V 1.5" LEADS DISC | 1 | C06 |
| C 7778-1 | 5.6 OHM .5W 5% FU/ FP T/ | 2 | R09, R25 |
| C 7779-9 | 22. OHM .25W 5% FU/FP T/R | 2 | R20, R29 |
| C 8426-6 | .1UF 250V 10% MET POLY RADIA | 2 | C08, C09 |
| C 8511-5 | 0.047UF 250V 5% FILM | 1 | C07 |
| C 9828-2 | 12 PIN MTA HDR, R/A PC MNT T | 2 | P00, P01 |
| C10155-7 | 2SC4793 PWR NPN XSISTOR | 1 | Q01 |
| C10156-5 | 2SA1837 PWR PNP XSISTOR | 1 | Q02 |
| C10444-5 | .02 OHM 5W 3% WW RES AXL MOU | 1 | R22 |
| D 6414-3 | CLIP CT/MA/MT/PB PRED HOLDDO | 2 | Q01X, Q02X |
| D 6592-6 | COIL, MICROTECH OUTPUT 414W1 | 1 | L02 |
| | | | |
| | | | |
| | | | |
| | | | |
| | | | |
| | | | |
| | | | |
| | | | |
| | | | |
| | | | |
| | | | |
| | | | |
| | | | |
| | | | |

CROWN INTERNATIONAL INC.

1718 WEST MISHAWAKA ROAD ELKHART, INDIANA 46517 PHONE (219) 294-8000

THESE DRAWINGS AND SPECIFICATIONS ARE THE PROPERTY OF CROWN INTERNATIONAL, INC. AND SHALL NOT BE REPRODUCED, COPIED, OR USED AS THE BASIS FOR THE MANUFACTURE OR SALE OF APPARATUS OR DEVICES WITHOUT PERMISSION.

DRAWN

TLM

08-08-96

DWG. NO.

PROJ.

D360

100289

SHEET 4
CONT. ON
SHEET 5REV
(A)

PARTS LIST

| REF DES | C. P. N. | DESCRIPTION | MAP LOC. |
|---------|----------|--------------------------------|----------|
| 1 | 100286-1 | PWB, CT10 OUTPUT, . . . | |
| C00 | C 6807-9 | .001UF 100V 10% AXL CER T/R | H 3 |
| C01 | C 6806-1 | .01UF 100V AXIAL CER T/R 103 | H 3 |
| C02 | C 6809-5 | 220PF 100V AXIAL CER T/R 221 | N 4 |
| C03 | C 6810-3 | 180PF 100V AXIAL CER T/R 181 | A 3 |
| C04 | C 6806-1 | .01UF 100V AXIAL CER T/R 103 | D 4 |
| C05 | C 6806-1 | .01UF 100V AXIAL CER T/R 103 | K 4 |
| C06 | C 7697-3 | .01 UF 500V 1.5" LEADS DISC | H 3 |
| C07 | C 8511-5 | 0.047UF 250V 5% FILM | H 3 |
| C08 | C 8426-6 | .1UF 250V 10% MET POLY RADIAL | E 2 |
| C09 | C 8426-6 | .1UF 250V 10% MET POLY RADIAL | J 2 |
| D00 | C 2851-1 | RECTIFIER, 1N4004 SILICON T/R | E 4 |
| D01 | C 2851-1 | RECTIFIER, 1N4004 SILICON T/R | F 4 |
| D02 | C 2851-1 | RECTIFIER, 1N4004 SILICON T/R | G 4 |
| D03 | C 2851-1 | RECTIFIER, 1N4004 SILICON T/R | H 4 |
| D04 | C 2851-1 | RECTIFIER, 1N4004 SILICON T/R | C 2 |
| D05 | C 2851-1 | RECTIFIER, 1N4004 SILICON T/R | K 2 |
| D06 | C 2941-0 | DIODE, 1N5402 3A 200V | C 3 |
| D07 | C 2941-0 | DIODE, 1N5402 3A 200V | D 3 |
| D08 | C 2941-0 | DIODE, 1N5402 3A 200V | L 3 |
| D09 | C 2941-0 | DIODE, 1N5402 3A 200V | L 3 |
| D10 | C 2851-1 | RECTIFIER, 1N4004 SILICON T/R | E 3 |
| D11 | C 2851-1 | RECTIFIER, 1N4004 SILICON T/R | F 3 |
| D12 | C 2851-1 | RECTIFIER, 1N4004 SILICON T/R | F 3 |
| D13 | C 2851-1 | RECTIFIER, 1N4004 SILICON T/R | I 3 |
| L00 | C 3510-2 | CHOKE, 10% AXIAL 470 UH TR | E 4 |
| L01 | C 3510-2 | CHOKE, 10% AXIAL 470 UH TR | K 4 |
| L02 | D 6592-6 | COIL, MICROTECH OUTPUT 414W1 | G 2 |
| P00 | C 9828-2 | 12 PIN MTA HDR, R/A PC MNT TIN | B 3 |
| P01 | C 9828-2 | 12 PIN MTA HDR, R/A PC MNT TIN | M 3 |
| Q00 | | INSTALLED ON NEXT ASSEMBLY | G 3 |
| Q01 | C10155-7 | 2SC4793 PWR NPN XSISTOR | B 4 |
| Q01X | D 6414-3 | CLIP CT/MA/MT/PB PRED HOLDDOWN | B 4 |
| Q02 | C10156-5 | 2SA1837 PWR PNP XSISTOR | K 4 |
| Q02X | D 6414-3 | CLIP CT/MA/MT/PB PRED HOLDDOWN | K 4 |
| Q03 | | INSTALLED ON NEXT ASSEMBLY | E 3 |
| Q04 | | INSTALLED ON NEXT ASSEMBLY | C 2 |
| Q05 | | INSTALLED ON NEXT ASSEMBLY | E 2 |
| Q06 | | INSTALLED ON NEXT ASSEMBLY | A 2 |
| Q07 | | INSTALLED ON NEXT ASSEMBLY | J 3 |
| Q08 | | INSTALLED ON NEXT ASSEMBLY | L 2 |
| Q09 | | INSTALLED ON NEXT ASSEMBLY | I 2 |
| Q10 | | INSTALLED ON NEXT ASSEMBLY | N 2 |
| Q11 | | INSTALLED ON NEXT ASSEMBLY | F 3 |
| Q12 | | INSTALLED ON NEXT ASSEMBLY | D 2 |
| Q13 | | INSTALLED ON NEXT ASSEMBLY | G 2 |
| Q14 | | INSTALLED ON NEXT ASSEMBLY | B 2 |
| | | | |
| | | | |
| | | | |

CROWN INTERNATIONAL INC.

1718 WEST MISHAWAKA ROAD ELKHART, INDIANA 46517 PHONE (219) 294-8000

THESE DRAWINGS AND SPECIFICATIONS ARE THE PROPERTY OF CROWN INTERNATIONAL, INC. AND SHALL NOT BE REPRODUCED, COPIED, OR USED AS THE BASIS FOR THE MANUFACTURE OR SALE OF APPARATUS OR DEVICES WITHOUT PERMISSION.

DRAWN TLM 08-08-96 DWG. NO.

PROJ. D360

100289

SHEET 5
CONT. ON
SHEET 6REV
(A)

PARTS LIST

| REF DES | C.P.N. | DESCRIPTION | MAP LOC. |
|---------|--------------|--------------------------------|----------|
| Q15 | | INSTALLED ON NEXT ASSEMBLY | I 3 |
| Q16 | | INSTALLED ON NEXT ASSEMBLY | K 2 |
| Q17 | | INSTALLED ON NEXT ASSEMBLY | H 2 |
| Q18 | | INSTALLED ON NEXT ASSEMBLY | M 2 |
| R00 | A10266-2221 | 2.2 KOHM .25W 5% CF T/R | G 4 |
| R01 | A10266-3911 | 390. OHM .25W 5% CF T/R | H 3 |
| R02 | C 6844-2 | 250 OHM LNR VERT ADJ TRIMPOT | H 4 |
| R03 | A10266-5101 | 51.0 OHM .25W 5% CF T/R | B 4 |
| R04 | A10266-1331 | 13.0KOHM .25W 5% CF T/R | D 4 |
| R05 | A10266-7501 | 75.0 OHM .25W 5 CF T/R | D 4 |
| R06 | A10266-1331 | 13.0KOHM .25W 5% CF T/R | K 4 |
| R07 | A10266-7501 | 75.0 OHM .25W 5 CF T/R | K 4 |
| R08 | A10266-1011 | 100. OHM .25W 5% CF T/R | E 3 |
| R09 | C 7778-1 | 5.6 OHM .5W 5% FU/ FP T/R | E 3 |
| R10 | A10266-2201 | 22.0 OHM .25W 5 CF T/R | C 3 |
| R11 | A10266-2201 | 22.0 OHM .25W 5 CF T/R | E 3 |
| R12 | A10266-2201 | 22.0 OHM .25W 5 CF T/R | A 3 |
| R13 | C 6486-2 | 0.2 OHM 5W 5% WIRE | C 2 |
| R14 | C 6486-2 | 0.2 OHM 5W 5% WIRE | E 2 |
| R15 | C 6486-2 | 0.2 OHM 5W 5% WIRE | A 2 |
| R16 | C 6486-2 | 0.2 OHM 5W 5% WIRE | L 2 |
| R17 | C 6486-2 | 0.2 OHM 5W 5% WIRE | I 2 |
| R18 | C 6486-2 | 0.2 OHM 5W 5% WIRE | N 2 |
| R19 | A10266-1011 | 100. OHM .25W 5% CF T/R | J 3 |
| R20 | C 7779-9 | 22. OHM .25W 5% FU/FP T/R | J 3 |
| R21 | A10266-2R74 | 2.7 OHM 2W 5% CF T/R | G 3 |
| R22 | C10444-5 | .02 OHM 5W 3% WW RES AXL MOUNT | H 1 |
| R23 | A10266-2R74 | 2.7 OHM 2W 5% CF T/R | E 2 |
| R24 | A10266-2R74 | 2.7 OHM 2W 5% CF T/R | J 1 |
| R25 | C 7778-1 | 5.6 OHM .5W 5% FU/ FP T/R | F 2 |
| R26 | C 6486-2 | 0.2 OHM 5W 5% WIRE | D 1 |
| R27 | C 6486-2 | 0.2 OHM 5W 5% WIRE | F 1 |
| R28 | C 6486-2 | 0.2 OHM 5W 5% WIRE | B 1 |
| R29 | C 7779-9 | 22. OHM .25W 5% FU/FP T/R | H 2 |
| R30 | C 6486-2 | 0.2 OHM 5W 5% WIRE | J 1 |
| R31 | C 6486-2 | 0.2 OHM 5W 5% WIRE | H 1 |
| R32 | C 6486-2 | 0.2 OHM 5W 5% WIRE | L 1 |
| R33 | C 6844-2 | 250 OHM LNR VERT ADJ TRIMPOT | I 3 |
| R34 | A10266-2721 | 2.7 KOHM .25W 5 CF T/R | C 3 |
| R35 | A10265-11301 | 113 OHM .25W 1% MF T/R | C 3 |
| R36 | A10266-2721 | 2.7 KOHM .25W 5 CF T/R | C 3 |
| R37 | | DO NOT INSTALL | C 2 |
| R38 | | DO NOT INSTALL | L 2 |
| R39 | | DO NOT INSTALL | D 2 |
| R40 | | DO NOT INSTALL | K 2 |
| U00 | | INSTALLED ON NEXT ASSEMBLY | C 3 |
| | | | |
| | | | |
| | | | |
| | | | |

CROWN INTERNATIONAL INC.

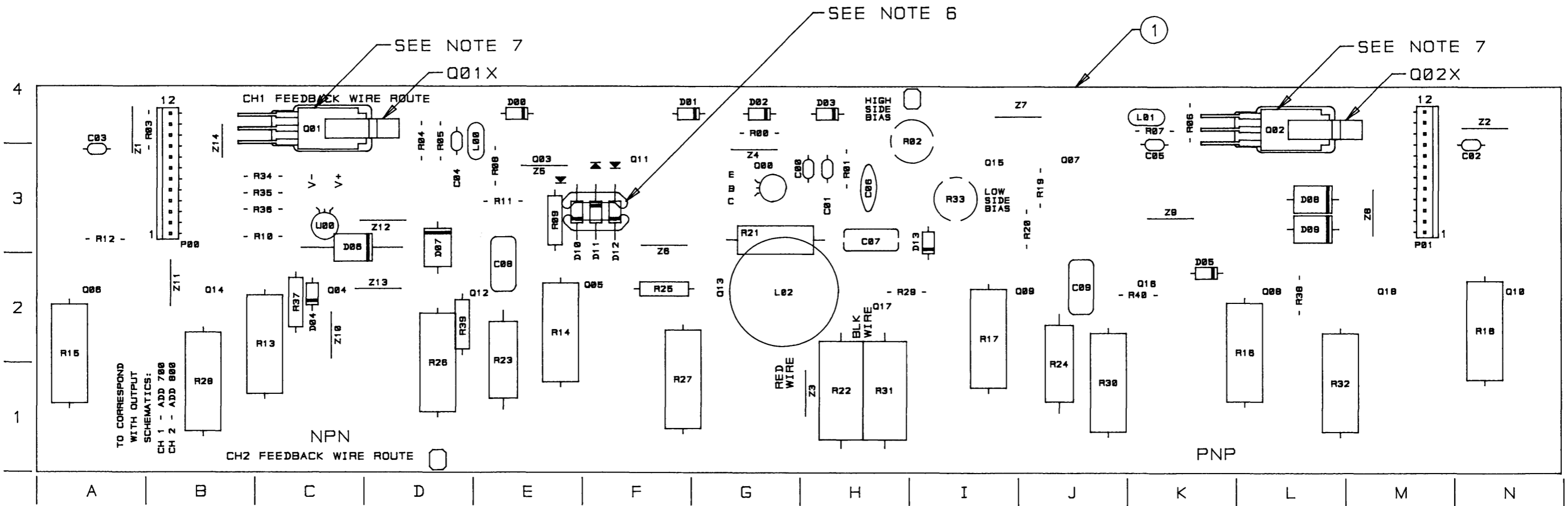
1718 WEST MISHAWAKA ROAD ELKHART, INDIANA 46517 PHONE (219) 294-8000

THESE DRAWINGS AND SPECIFICATIONS ARE THE PROPERTY OF CROWN INTERNATIONAL, INC. AND SHALL NOT BE REPRODUCED, COPIED, OR USED AS THE BASIS FOR THE MANUFACTURE OR SALE OF APPARATUS OR DEVICES WITHOUT PERMISSION.

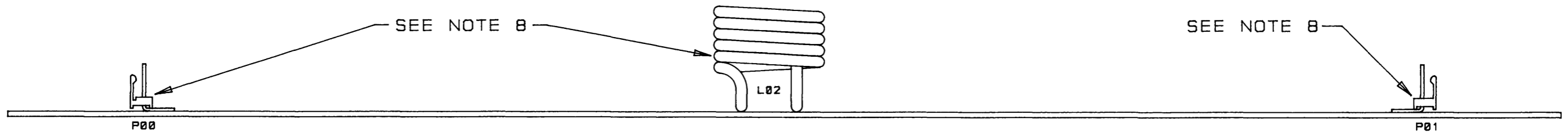
| | | | | | |
|-------|------|----------|----------|------------------|-----|
| DRAWN | TLM | 08-08-96 | DWG. NO. | SHEET 6 | REV |
| PROJ. | D360 | | 100289 | CONT. ON SHEET 7 | (A) |

COMPONENT MAP

TOP VIEW



SIDE VIEW



CROWN INTERNATIONAL INC.

1718 WEST MISHAWAKA ROAD ELKHART, INDIANA 46517 PHONE (219) 294-8000

THESE DRAWINGS AND SPECIFICATIONS ARE THE PROPERTY OF CROWN INTERNATIONAL, INC. AND SHALL NOT BE REPRODUCED, COPIED, OR USED AS THE BASIS FOR THE MANUFACTURE OR SALE OF APPARATUS OR DEVICES WITHOUT PERMISSION.

| | | | | | |
|-------|------|----------|--------|------------------|---------|
| SCALE | NONE | DWG. NO. | 100289 | SHEET 8 | REV (A) |
| PROJ | D360 | | | CONT. ON SHEET - | |

DWG. NO. 100289

REV (A)

B

A

6

5

4

3

2

1

6

5

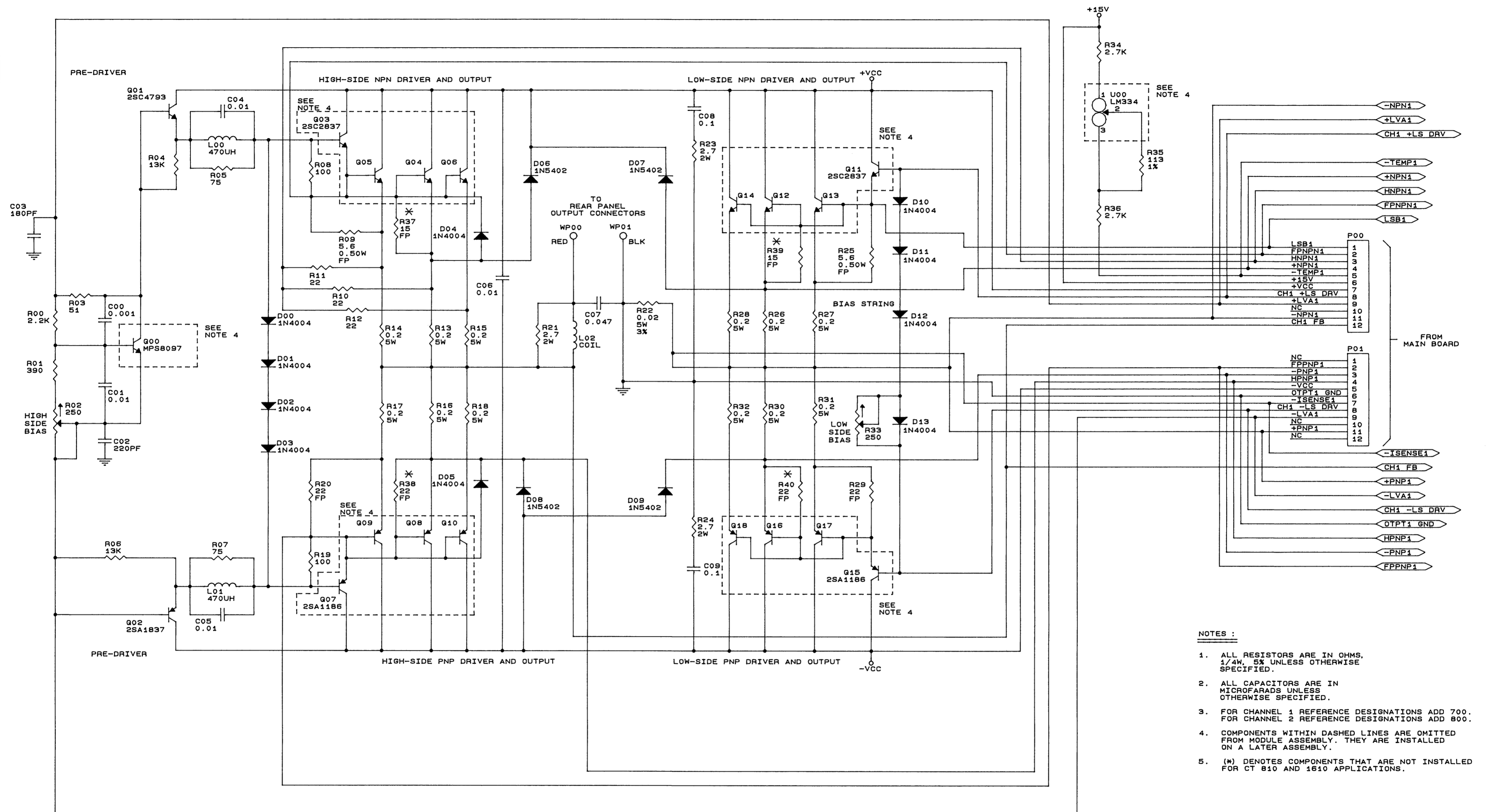
4

3

2

1

| E.C. | ZONE | REV | DESCRIPTION | DATE | BY | APPROVALS |
|------|------|-----|-----------------|----------|-----|-----------|
| | | (A) | INITIAL RELEASE | 07/29/96 | TLM | CK ME EE |
| | | (O) | | | | |
| | | (O) | | | | |



- NOTES :**
1. ALL RESISTORS ARE IN OHMS, 1/4W, 5% UNLESS OTHERWISE SPECIFIED.
 2. ALL CAPACITORS ARE IN MICROFARADS UNLESS OTHERWISE SPECIFIED.
 3. FOR CHANNEL 1 REFERENCE DESIGNATIONS ADD 700. FOR CHANNEL 2 REFERENCE DESIGNATIONS ADD 800.
 4. COMPONENTS WITHIN DASHED LINES ARE OMITTED FROM MODULE ASSEMBLY. THEY ARE INSTALLED ON A LATER ASSEMBLY.
 5. (*) DENOTES COMPONENTS THAT ARE NOT INSTALLED FOR CT 810 AND 1610 APPLICATIONS.

| LAST USED | OBSOLETE |
|-----------|----------|
| C09 | |
| D13 | |
| L02 | |
| Q18 | |
| R40 | |
| U00 | |

INACTIVE
For Reference Use Only

CROWN INTERNATIONAL, INC.
1718 WEST MISHAWAKA ROAD ELKHART, IN. 46517 PHONE (219) 294-8000

SCHEMATIC; CT810/1610 OUTPUT

| | | | | |
|-----------|-------------|----------|----------------|-----------------------|
| DRAWN | TLM | 07/29/96 | APPROVED BY : | DO NOT SCALE PRINT |
| CHECKED | | | ME | SUPERSEDES |
| SCALE | NONE | | EE PD 8/27/96 | E.C. |
| PROJ # | D360 | | PE 8-29-96 | DWG. NO. SHEET 1 OF 1 |
| FILENAME: | 1002900.SCM | | NEXT ASSEMBLY: | 100290 |

THESE DRAWINGS AND SPECIFICATIONS ARE THE PROPERTY OF CROWN INTERNATIONAL, INC. AND SHALL NOT BE REPRODUCED, COPIED, OR USED AS THE BASIS FOR THE MANUFACTURE OR SALE OF APPARATUS OR DEVICES WITHOUT PERMISSION.

| PRINTS TO | |
|-----------|--|
| G | |

(A)

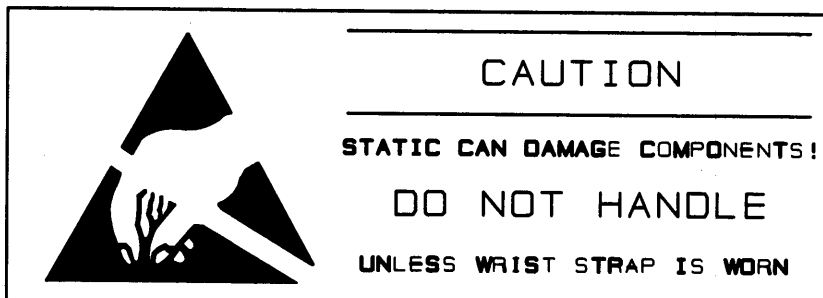
**CT810A/1610A Output Module Information On Following Pages
Documentation, Component Map, Schematic**

| E.C.N. | ZONE | REV. | DESCRIPTION | DATE | BY | APPROVALS | | | |
|--------|------|------|-----------------|----------|-----|-----------|----|----|----|
| | | | | | | CHK | ME | EE | PE |
| | | A | INITIAL RELEASE | 05/30/97 | LCD | KW | | | ES |

UNLESS OTHERWISE SPECIFIED, THE FINISHED PWA SHALL MEET:
IPC-A-610 CLASS 2

NOTES:

1. SCHEMATIC DRAWING NUMBER 102773.
2. PWB PART NUMBER 102770-1.
3. PWA PART NUMBER 102774-1.
4. ALL LEADS SHALL BE TRIMMED ACCORDING TO ILLUSTRATION 2 OF DRAWING T10131-0 REV.A.
5. POSITION COMPONENTS AS SHOWN ON COMPONENT MAP.
6. AFTER WAVE SOLDERING REMOVE BREAK OUT OVAL. SEE COMPONENT MAP.
7. AFTER WAVE SOLDERING, INSTALL COMPONENTS Q01, Q02, Q01X AND Q02X AS FOLLOWS:
 - LAY THE CIRCUIT BOARD ON 0.032" SPACERS THAT ARE PLACED ON A FLAT SURFACE.
 - PLACE THE TRANSISTOR IN THE OPENING OF THE PWB. WITH THE TRANSISTOR LAYING AGAINST THE FLAT SURFACE, FORM THE TRANSISTOR LEADS TO THE PWB. THIS WILL REDUCE THE STRAIN ON THE COMPONENT LEADS.
 - SOLDER THE TRANSISTOR LEADS TO THE PADS ON THE BOARD.
 - SOLDER Q01X AND Q02X HOLD DOWN CLIPS (D 6414-3) TO THE PADS ON THE PWB AS SHOWN ON THE COMPONENT MAP TOP VIEW.
8. AFTER WAVE SOLDERING INSTALL COMPONENTS P00, P01 AND L02 AS SHOWN ON COMPONENT MAP SIDE VIEW. NOTE ORIENTATION OF THE COMPONENTS.
9. THE CROWN PART NUMBER FOR THIS MODULE SHALL BE MARKED ON THE PRINTED CIRCUIT BOARD IN THE PROVIDED BOX AND SHALL BE PERMANENT.



INACTIVE

For Reference Use Only
Document Has Been Replaced
with a Newer Version

| | | | | | | | | | |
|---------------------------------|---|---------|----------|--------------|----------------------|--------------------|--|--|-----|
| CROWN INTERNATIONAL INC. | | | | | | | | | |
| PRINTS | 1718 WEST MISHAWAKA ROAD ELKHART, INDIANA 46517 | | | | PHONE (219) 294-8000 | | | | |
| K | PWA CT810A/1610A OUTPUT | | | | | | TOL. UNLESS SPECIFIED X.XX = ± 0.020 X.XXX = ± 0.010 DRILLS = ± 0.003 | | |
| | DRAWN | LCD | 05/30/97 | APPROVED BY: | | DO NOT SCALE PRINT | | | |
| | CHECKED | KW | 05-30-97 | ME | | SUPERSEDES | | | |
| | SCALE | NONE | | EE | | E.C.N. | | | |
| | PROJ # | MD360D0 | | PE | ES 6-2-97 | DWG. NO. | SHEET 1 | | REV |
| | NEXT ASSEMBLY | | | | 102774 | | CONT. ON SHEET 2 | | (A) |

THESE DRAWINGS AND SPECIFICATIONS ARE THE PROPERTY OF CROWN INTERNATIONAL, INC. AND SHALL NOT BE REPRODUCED, COPIED, OR USED AS THE BASIS FOR THE MANUFACTURE OR SALE OF APPARATUS OR DEVICES WITHOUT PERMISSION.

| PARTS LIST | | | |
|--------------|------------------------------|-----|---|
| C.P.N. | DESCRIPTION | QTY | REFERENCE DESIGNATION |
| 102770-1 | PWB, CT10A OUTPUT, . . . | 1 | 1 |
| A10265-11301 | 113 OHM .25W 1% MF T/R | 1 | R35 |
| A10266-1011 | 100. OHM .25W 5% CF T/R | 2 | R08, R19 |
| A10266-1331 | 13.0 KOHM .25W 5% CF T/R | 2 | R04, R06 |
| A10266-2201 | 22.0 OHM .25W 5% CF T/R | 3 | R10, R11, R12 |
| A10266-2221 | 2.2 KOHM .25W 5% CF T/R | 1 | R00 |
| A10266-2721 | 2.7 KOHM .25W 5% CF T/R | 2 | R34, R36 |
| A10266-2R74 | 2.7 OHM 2W 5% CF T/R | 3 | R21, R23, R24 |
| A10266-3911 | 390. OHM .25W 5% CF T/R | 1 | R01 |
| A10266-5101 | 51.0 OHM .25W 5% CF T/R | 1 | R03 |
| A10266-7501 | 75.0 OHM .25W 5% CF T/R | 2 | R05, R07 |
| C 2851-1 | RECTIFIER, 1N4004 SILICON T/ | 10 | D00, D01, D02, D03, D04, D05, D10, D11, D12, D13 |
| C 2941-0 | DIODE, 1N5402 3A 200V | 4 | D06, D07, D08, D09 |
| C 3510-2 | CHOKE, 10% AXIAL 470 UH TR | 2 | L00, L01 |
| C 5868-2 | 0 OHM .25W 20 MILOHM MAX T/R | 14 | Z1, Z10, Z11, Z12, Z13, Z14, Z2, Z3, Z4, Z5, Z6, Z7, Z8, Z9. |
| C 6486-2 | 0.2 OHM 5W 5% WIRE | 12 | R13, R14, R15, R16, R17, R18, R26, R27, R28, R30, R31, R32. |
| C 6806-1 | .01UF 100V AXIAL CER T/R 103 | 3 | C01, C04, C05 |
| C 6807-9 | .001UF 100V 10% AXL CER T/R | 1 | C00 |
| C 6809-5 | 220PF 100V AXIAL CER T/R 221 | 1 | C02 |
| C 6810-3 | 180PF 100V AXIAL CER T/R 181 | 1 | C03 |
| C 6844-2 | 250 OHM LNR VERT ADJ TRIMPOT | 2 | R02, R33 |
| C 7697-3 | .01 UF 500V 1.5" LEADS DISC | 1 | C06 |
| C 7778-1 | 5.6 OHM .5W 5% FU/ FP T/ | 2 | R09, R25 |
| C 7779-9 | 22. OHM .25W 5% FU/FP T/R | 2 | R20, R29 |
| C 8426-6 | .1UF 250V 10% MET POLY RADIA | 2 | C08, C09 |
| C 8511-5 | 0.047UF 250V 5% FILM | 1 | C07 |
| C 9828-2 | 12 PIN MTA HDR, R/A PC MNT T | 2 | P00, P01 |
| C10155-7 | 25C4793 PWR NPN XSISTOR | 1 | Q01 |
| C10156-5 | 25A1837 PWR PNP XSISTOR | 1 | Q02 |
| C10444-5 | .02 OHM 5W 3% WW RES AXL MOU | 1 | R22 |
| D 6414-3 | CLIP CT/MA/MT/PB PRED HOLDDO | 2 | Q01X, Q02X |
| D 6592-6 | COIL, MICROTECH OUTPUT 414W1 | 1 | L02 |
| | | | |
| | | | |
| | | | |
| | | | |
| | | | |
| | | | |
| | | | |
| | | | |
| | | | |
| | | | |
| | | | |
| | | | |
| | | | |
| | | | |
| | | | |
| | | | |
| | | | |
| | | | |
| | | | |
| | | | |
| | | | |
| | | | |
| | | | |
| | | | |
| | | | |
| | | | |
| | | | |
| | | | |
| | | | |
| | | | |
| | | | |
| | | | |
| | | | |
| | | | |

INACTIVE

For Reference Use Only
 Document Has Been Replaced
 with a Newer Version

CROWN INTERNATIONAL INC.

1718 WEST MISHAWAKA ROAD ELKHART, INDIANA 46517 PHONE (219) 294-8000

THESE DRAWINGS AND SPECIFICATIONS ARE THE PROPERTY OF CROWN INTERNATIONAL, INC. AND SHALL NOT BE REPRODUCED, COPIED, OR USED AS THE BASIS FOR THE MANUFACTURE OR SALE OF APPARATUS OR DEVICES WITHOUT PERMISSION.

| | | |
|-------|---------|----------|
| DRAWN | LCD | 05/30/97 |
| PROJ. | MD360D0 | |

DWG. NO. **102774**

| | |
|----------|-----|
| SHEET 2 | REV |
| CONT. ON | (A) |
| SHEET 3 | |

PARTS LIST

| REF DES | C. P. N. | DESCRIPTION | MAP LOC. |
|---------|----------|--------------------------------|----------|
| 1 | 102770-1 | PWB, CT10A OUTPUT, , | |
| C00 | C 6807-9 | .001UF 100V 10% AXL CER T/R | H 3 |
| C01 | C 6806-1 | .01UF 100V AXIAL CER T/R 103 | H 3 |
| C02 | C 6809-5 | 220PF 100V AXIAL CER T/R 221 | N 4 |
| C03 | C 6810-3 | 180PF 100V AXIAL CER T/R 181 | A 3 |
| C04 | C 6806-1 | .01UF 100V AXIAL CER T/R 103 | D 4 |
| C05 | C 6806-1 | .01UF 100V AXIAL CER T/R 103 | K 4 |
| C06 | C 7697-3 | .01 UF 500V 1.5" LEADS DISC | H 3 |
| C07 | C 8511-5 | 0.047UF 250V 5% FILM | H 3 |
| C08 | C 8426-6 | .1UF 250V 10% MET POLY RADIAL | E 2 |
| C09 | C 8426-6 | .1UF 250V 10% MET POLY RADIAL | J 2 |
| D00 | C 2851-1 | RECTIFIER, 1N4004 SILICON T/R | E 4 |
| D01 | C 2851-1 | RECTIFIER, 1N4004 SILICON T/R | F 4 |
| D02 | C 2851-1 | RECTIFIER, 1N4004 SILICON T/R | G 4 |
| D03 | C 2851-1 | RECTIFIER, 1N4004 SILICON T/R | H 4 |
| D04 | C 2851-1 | RECTIFIER, 1N4004 SILICON T/R | C 2 |
| D05 | C 2851-1 | RECTIFIER, 1N4004 SILICON T/R | K 2 |
| D06 | C 2941-0 | DIODE, 1N5402 3A 200V | C 3 |
| D07 | C 2941-0 | DIODE, 1N5402 3A 200V | D 3 |
| D08 | C 2941-0 | DIODE, 1N5402 3A 200V | L 3 |
| D09 | C 2941-0 | DIODE, 1N5402 3A 200V | L 3 |
| D10 | C 2851-1 | RECTIFIER, 1N4004 SILICON T/R | E 3 |
| D11 | C 2851-1 | RECTIFIER, 1N4004 SILICON T/R | F 3 |
| D12 | C 2851-1 | RECTIFIER, 1N4004 SILICON T/R | F 3 |
| D13 | C 2851-1 | RECTIFIER, 1N4004 SILICON T/R | I 3 |
| L00 | C 3510-2 | CHOKE, 10% AXIAL 470 UH TR | E 4 |
| L01 | C 3510-2 | CHOKE, 10% AXIAL 470 UH TR | K 4 |
| L02 | D 6592-6 | COIL, MICROTECH OUTPUT 414W1 | G 2 |
| P00 | C 9828-2 | 12 PIN MTA HDR, R/A PC MNT TIN | B 3 |
| P01 | C 9828-2 | 12 PIN MTA HDR, R/A PC MNT TIN | M 3 |
| Q00 | | INSTALLED ON NEXT ASSEMBLY | G 3 |
| Q01 | C10155-7 | 2SC4793 PWR NPN XSISTOR | B 4 |
| Q01X | D 6414-3 | CLIP CT/MA/MT/PB PRED HOLDDOWN | B 4 |
| Q02 | C10156-5 | 2SA1837 PWR PNP XSISTOR | K 4 |
| Q02X | D 6414-3 | CLIP CT/MA/MT/PB PRED HOLDDOWN | K 4 |
| Q03 | | INSTALLED ON NEXT ASSEMBLY | E 3 |
| Q04 | | INSTALLED ON NEXT ASSEMBLY | C 2 |
| Q05 | | INSTALLED ON NEXT ASSEMBLY | E 2 |
| Q06 | | INSTALLED ON NEXT ASSEMBLY | A 2 |
| Q07 | | INSTALLED ON NEXT ASSEMBLY | J 3 |
| Q08 | | INSTALLED ON NEXT ASSEMBLY | L 2 |
| Q09 | | INSTALLED ON NEXT ASSEMBLY | I 2 |
| Q10 | | INSTALLED ON NEXT ASSEMBLY | N 2 |
| Q11 | | INSTALLED ON NEXT ASSEMBLY | F 3 |
| Q12 | | INSTALLED ON NEXT ASSEMBLY | F 3 |
| Q13 | | INSTALLED ON NEXT ASSEMBLY | G 2 |
| Q14 | | INSTALLED ON NEXT ASSEMBLY | B 2 |
| | | | |
| | | | |
| | | | |

INACTIVE

For Reference Use Only
Document Has Been Replaced
with a Newer Version

CROWN INTERNATIONAL INC.

1718 WEST MISHAWAKA ROAD ELKHART, INDIANA 46517 PHONE (219) 294-8000

THESE DRAWINGS AND SPECIFICATIONS ARE THE PROPERTY OF CROWN INTERNATIONAL, INC. AND SHALL NOT BE REPRODUCED, COPIED, OR USED AS THE BASIS FOR THE MANUFACTURE OR SALE OF APPARATUS OR DEVICES WITHOUT PERMISSION.

| | | | | | | |
|-------|---------|----------|----------|--------|------------------|-----|
| DRAWN | LCD | 05/30/97 | DWG. NO. | 102774 | SHEET 3 | REV |
| PROJ. | MD360D0 | | | | CONT. ON SHEET 4 | (A) |

PARTS LIST

| REF DES | C. P. N. | DESCRIPTION | MAP LOC. |
|---------|--------------|--------------------------------|----------|
| Q15 | | INSTALLED ON NEXT ASSEMBLY | I 3 |
| Q16 | | INSTALLED ON NEXT ASSEMBLY | K 2 |
| Q17 | | INSTALLED ON NEXT ASSEMBLY | H 2 |
| Q18 | | INSTALLED ON NEXT ASSEMBLY | M 2 |
| R00 | A10266-2221 | 2.2 KOHM .25W 5% CF T/R | G 4 |
| R01 | A10266-3911 | 390. OHM .25W 5% CF T/R | H 3 |
| R02 | C 6844-2 | 250 OHM LNR VERT ADJ TRIMPOT | H 4 |
| R03 | A10266-5101 | 51.0 OHM .25W 5% CF T/R | B 4 |
| R04 | A10266-1331 | 13.0KOHM .25W 5% CF T/R | D 4 |
| R05 | A10266-7501 | 75.0 OHM .25W 5 CF T/R | D 4 |
| R06 | A10266-1331 | 13.0KOHM .25W 5% CF T/R | K 4 |
| R07 | A10266-7501 | 75.0 OHM .25W 5 CF T/R | K 4 |
| R08 | A10266-1011 | 100. OHM .25W 5% CF T/R | E 3 |
| R09 | C 7778-1 | 5.6 OHM .5W 5% FU/ FP T/R | E 3 |
| R10 | A10266-2201 | 22.0 OHM .25W 5 CF T/R | C 3 |
| R11 | A10266-2201 | 22.0 OHM .25W 5 CF T/R | E 3 |
| R12 | A10266-2201 | 22.0 OHM .25W 5 CF T/R | A 3 |
| R13 | C 6486-2 | 0.2 OHM 5W 5% WIRE | C 2 |
| R14 | C 6486-2 | 0.2 OHM 5W 5% WIRE | E 2 |
| R15 | C 6486-2 | 0.2 OHM 5W 5% WIRE | A 2 |
| R16 | C 6486-2 | 0.2 OHM 5W 5% WIRE | L 2 |
| R17 | C 6486-2 | 0.2 OHM 5W 5% WIRE | I 2 |
| R18 | C 6486-2 | 0.2 OHM 5W 5% WIRE | N 2 |
| R19 | A10266-1011 | 100. OHM .25W 5% CF T/R | J 3 |
| R20 | C 7779-9 | 22. OHM .25W 5% FU/FP T/R | J 3 |
| R21 | A10266-2R74 | 2.7 OHM 2W 5% CF T/R | G 3 |
| R22 | C10444-5 | .02 OHM 5W 3% WW RES AXL MOUNT | H 1 |
| R23 | A10266-2R74 | 2.7 OHM 2W 5% CF T/R | E 2 |
| R24 | A10266-2R74 | 2.7 OHM 2W 5% CF T/R | J 1 |
| R25 | C 7778-1 | 5.6 OHM .5W 5% FU/ FP T/R | F 2 |
| R26 | C 6486-2 | 0.2 OHM 5W 5% WIRE | D 1 |
| R27 | C 6486-2 | 0.2 OHM 5W 5% WIRE | F 1 |
| R28 | C 6486-2 | 0.2 OHM 5W 5% WIRE | B 1 |
| R29 | C 7779-9 | 22. OHM .25W 5% FU/FP T/R | H 2 |
| R30 | C 6486-2 | 0.2 OHM 5W 5% WIRE | J 1 |
| R31 | C 6486-2 | 0.2 OHM 5W 5% WIRE | H 1 |
| R32 | C 6486-2 | 0.2 OHM 5W 5% WIRE | L 1 |
| R33 | C 6844-2 | 250 OHM LNR VERT ADJ TRIMPOT | I 3 |
| R34 | A10266-2721 | 2.7 KOHM .25W 5 CF T/R | C 3 |
| R35 | A10265-11301 | 113 OHM .25W 1% MF T/R | C 3 |
| R36 | A10266-2721 | 2.7 KOHM .25W 5 CF T/R | C 3 |
| R37 | | DO NOT INSTALL | C 2 |
| R38 | | DO NOT INSTALL | L 2 |
| R39 | | DO NOT INSTALL | D 2 |
| R40 | | DO NOT INSTALL | K 2 |
| U00 | | INSTALLED ON NEXT ASSEMBLY | C 3 |
| | | | |
| | | | |
| | | | |
| | | | |

INACTIVE

For Reference Use Only
Document Has Been Replaced
with a Newer Version

CROWN INTERNATIONAL INC.

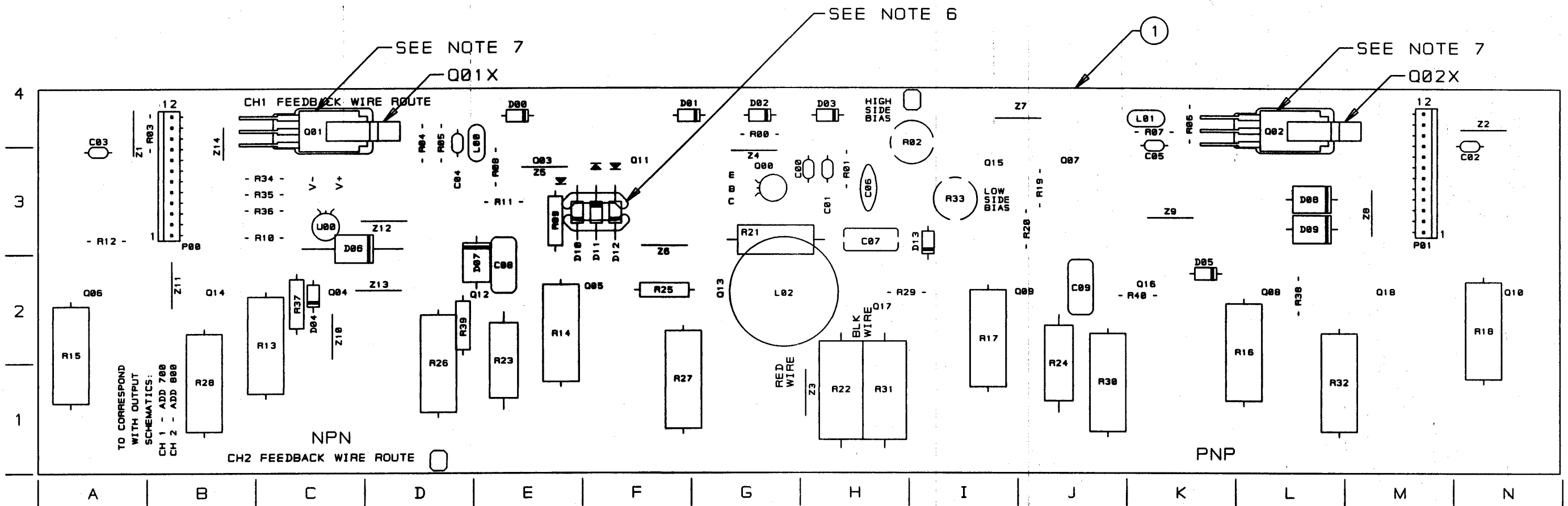
1718 WEST MISHAWAKA ROAD ELKHART, INDIANA 46517 PHONE (219) 294-8000

| | | | | | |
|-------|---------|----------|----------|------------------|-----|
| DRAWN | LCD | 05/30/97 | DWG. NO. | SHEET 4 | REV |
| PROJ. | MD360D0 | | 102774 | CONT. ON SHEET 5 | (A) |

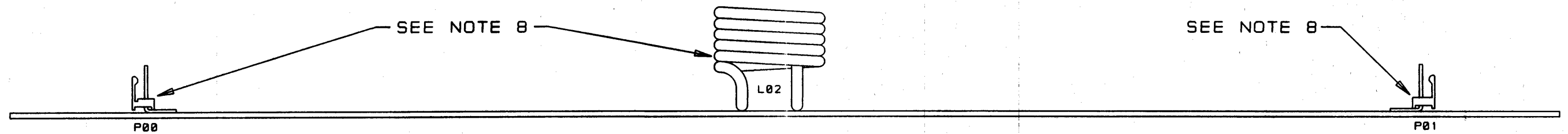
THESE DRAWINGS AND SPECIFICATIONS ARE THE PROPERTY OF CROWN INTERNATIONAL, INC. AND SHALL NOT BE REPRODUCED, COPIED, OR USED AS THE BASIS FOR THE MANUFACTURE OR SALE OF APPARATUS OR DEVICES WITHOUT PERMISSION.

COMPONENT MAP

TOP VIEW



SIDE VIEW



INACTIVE
For Reference Use Only
Document Has Been Replaced
with a Newer Version

CROWN INTERNATIONAL INC.

1718 WEST MISHAWAKA ROAD ELKHART, INDIANA 46517 PHONE (219) 294-8000

THESE DRAWINGS AND SPECIFICATIONS ARE THE PROPERTY OF CROWN INTERNATIONAL, INC. AND SHALL NOT BE REPRODUCED, COPIED, OR USED AS THE BASIS FOR THE MANUFACTURE OR SALE OF APPARATUS OR DEVICES WITHOUT PERMISSION.


| | | | | | |
|-------|---------|----------|--------|--------------------------------|----------|
| SCALE | NONE | DWG. NO. | 102774 | SHEET 6 CONT. ON SHEET - | REV A |
| PROJ | MD360D0 | | | | |

| E. C. N. | ZONE | REV. | DESCRIPTION | DATE | BY | APPROVALS | | | |
|----------|------|------|--|----------|-----|-----------|----|----|-----------|
| | | | | | | CHK | ME | EE | PE |
| | | A | INITIAL RELEASE | 05/30/97 | LCD | KW | | | TS |
| | | B | ADDED Z16 AND Z17 0 OHM RESISTORS. NOTE 2 WAS 102770-1. NOTE 3 WAS 102774-1. | 12/02/97 | TLM | <i>lu</i> | | | <i>LB</i> |

UNLESS OTHERWISE SPECIFIED, THE FINISHED PWA SHALL MEET:
IPC-A-610 CLASS 2

NOTES:

1. SCHEMATIC DRAWING NUMBER 102773.
2. PWB PART NUMBER 102770-2.
3. PWA PART NUMBER 102774-2.
4. ALL LEADS SHALL BE TRIMMED ACCORDING TO ILLUSTRATION 2 OF DRAWING T10131-0 REV.A.
5. POSITION COMPONENTS AS SHOWN ON COMPONENT MAP.
6. AFTER WAVE SOLDERING REMOVE BREAK OUT OVAL. SEE COMPONENT MAP.
7. AFTER WAVE SOLDERING, INSTALL COMPONENTS Q01, Q02, Q01X AND Q02X AS FOLLOWS:
 - LAY THE CIRCUIT BOARD ON 0.032" SPACERS THAT ARE PLACED ON A FLAT SURFACE.
 - PLACE THE TRANSISTOR IN THE OPENING OF THE PWB. WITH THE TRANSISTOR LAYING AGAINST THE FLAT SURFACE, FORM THE TRANSISTOR LEADS TO THE PWB. THIS WILL REDUCE THE STRAIN ON THE COMPONENT LEADS.
 - SOLDER THE TRANSISTOR LEADS TO THE PADS ON THE BOARD.
 - SOLDER Q01X AND Q02X HOLD DOWN CLIPS (D 6414-3) TO THE PADS ON THE PWB AS SHOWN ON THE COMPONENT MAP TOP VIEW.
8. AFTER WAVE SOLDERING INSTALL COMPONENTS P00, P01 AND L02 AS SHOWN ON COMPONENT MAP SIDE VIEW. NOTE ORIENTATION OF THE COMPONENTS.
9. THE CROWN PART NUMBER FOR THIS MODULE SHALL BE MARKED ON THE PRINTED CIRCUIT BOARD IN THE PROVIDED BOX AND SHALL BE PERMANENT.



CAUTION

STATIC CAN DAMAGE COMPONENTS!

DO NOT HANDLE

UNLESS WRIST STRAP IS WORN

INACTIVE
For Reference Use Only

| | | | | | | | | | |
|---------------------------------|---|---------|----------|----------------------|----|--------------------|--|---------|-----|
| CROWN INTERNATIONAL INC. | | | | | | | | | |
| PRINTS | 1718 WEST MISHAWAKA ROAD ELKHART, INDIANA 46517 | | | PHONE (219) 294-0000 | | | | | |
| K | PWA CT810A/1610A OUTPUT | | | | | | TOL. UNLESS SPECIFIED X.XX = ± 0.020 X.XXX = ± 0.010 DRILLS = ± 0.003 | | |
| | DRAWN | LCD | 05/30/97 | APPROVED BY: | | DO NOT SCALE PRINT | | | |
| | CHECKED | KW | 05/30/97 | ME | | SUPERSEDES | | | |
| | SCALE | NONE | | EE | | E. C. N. | | | |
| PROJ # | | MD360D0 | | PE | TS | 06/02/97 | DWG. NO. | SHEET 1 | REV |
| NEXT ASSEMBLY | | | | | | 102774 | CONT. ON SHEET 2 | (B) | |

THESE DRAWINGS AND SPECIFICATIONS ARE THE PROPERTY OF CROWN INTERNATIONAL, INC. AND SHALL NOT BE REPRODUCED, COPIED, OR USED AS THE BASIS FOR THE MANUFACTURE OR SALE OF APPARATUS OR DEVICES WITHOUT PERMISSION.

PARTS LIST

| REF DES | C. P. N. | DESCRIPTION | MAP LOC. |
|---------|----------|--------------------------------|----------|
| 1 | 102770-2 | PWB, CT10A OUTPUT, . | |
| C00 | C 6807-9 | .001UF 100V 10% AXL CER T/R | H 3 |
| C01 | C 6806-1 | .01UF 100V AXIAL CER T/R 103 | H 3 |
| C02 | C 6809-5 | 220PF 100V AXIAL CER T/R 221 | N 4 |
| C03 | C 6810-3 | 180PF 100V AXIAL CER T/R 181 | A 3 |
| C04 | C 6806-1 | .01UF 100V AXIAL CER T/R 103 | D 4 |
| C05 | C 6806-1 | .01UF 100V AXIAL CER T/R 103 | K 4 |
| C06 | C 7697-3 | .01 UF 500V 1.5" LEADS DISC | H 3 |
| C07 | C 8511-5 | 0.047UF 250V 5% FILM | H 3 |
| C08 | C 8426-6 | .1UF 250V 10% MET POLY RADIAL | E 2 |
| C09 | C 8426-6 | .1UF 250V 10% MET POLY RADIAL | J 2 |
| D00 | C 2851-1 | RECTIFIER, 1N4004 SILICON T/R | E 4 |
| D01 | C 2851-1 | RECTIFIER, 1N4004 SILICON T/R | F 4 |
| D02 | C 2851-1 | RECTIFIER, 1N4004 SILICON T/R | G 4 |
| D03 | C 2851-1 | RECTIFIER, 1N4004 SILICON T/R | H 4 |
| D04 | C 2851-1 | RECTIFIER, 1N4004 SILICON T/R | C 2 |
| D05 | C 2851-1 | RECTIFIER, 1N4004 SILICON T/R | K 2 |
| D06 | C 2941-0 | DIODE, 1N5402 3A 200V | C 3 |
| D07 | C 2941-0 | DIODE, 1N5402 3A 200V | D 3 |
| D08 | C 2941-0 | DIODE, 1N5402 3A 200V | L 3 |
| D09 | C 2941-0 | DIODE, 1N5402 3A 200V | L 3 |
| D10 | C 2851-1 | RECTIFIER, 1N4004 SILICON T/R | E 3 |
| D11 | C 2851-1 | RECTIFIER, 1N4004 SILICON T/R | F 3 |
| D12 | C 2851-1 | RECTIFIER, 1N4004 SILICON T/R | F 3 |
| D13 | C 2851-1 | RECTIFIER, 1N4004 SILICON T/R | I 3 |
| L00 | C 3510-2 | CHOKE, 10% AXIAL 470 UH TR | E 4 |
| L01 | C 3510-2 | CHOKE, 10% AXIAL 470 UH TR | K 4 |
| L02 | D 6592-6 | COIL, MICROTECH OUTPUT 414W1 | G 2 |
| P00 | C 9828-2 | 12 PIN MTA HDR, R/A PC MNT TIN | B 3 |
| P01 | C 9828-2 | 12 PIN MTA HDR, R/A PC MNT TIN | M 3 |
| Q00 | | INSTALLED ON NEXT ASSEMBLY | G 3 |
| Q01 | C10155-7 | 2SC4793 PWR NPN XSISTOR | B 4 |
| Q01X | D 6414-3 | CLIP CT/MA/MT/PB PRED HOLDDOWN | B 4 |
| Q02 | C10156-5 | 2SA1837 PWR PNP XSISTOR | K 4 |
| Q02X | D 6414-3 | CLIP CT/MA/MT/PB PRED HOLDDOWN | K 4 |
| Q03 | | INSTALLED ON NEXT ASSEMBLY | E 3 |
| Q04 | | INSTALLED ON NEXT ASSEMBLY | C 2 |
| Q05 | | INSTALLED ON NEXT ASSEMBLY | E 2 |
| Q06 | | INSTALLED ON NEXT ASSEMBLY | A 2 |
| Q07 | | INSTALLED ON NEXT ASSEMBLY | J 3 |
| Q08 | | INSTALLED ON NEXT ASSEMBLY | L 2 |
| Q09 | | INSTALLED ON NEXT ASSEMBLY | I 2 |
| Q10 | | INSTALLED ON NEXT ASSEMBLY | N 2 |
| Q11 | | INSTALLED ON NEXT ASSEMBLY | F 3 |
| Q12 | | INSTALLED ON NEXT ASSEMBLY | D 2 |
| Q13 | | INSTALLED ON NEXT ASSEMBLY | G 2 |
| Q14 | | INSTALLED ON NEXT ASSEMBLY | B 2 |
| | | | |
| | | | |
| | | | |

INACTIVE

For Reference Use Only

THESE DRAWINGS AND SPECIFICATIONS ARE THE PROPERTY OF CROWN INTERNATIONAL, INC. AND SHALL NOT BE REPRODUCED, COPIED, OR USED AS THE BASIS FOR THE MANUFACTURE OR SALE OF APPARATUS OR DEVICES WITHOUT PERMISSION.

| | | | |
|---------------------------------|---------|------------------------|----------------------|
| CROWN INTERNATIONAL INC. | | | |
| 1718 WEST MISHAWAKA ROAD | | ELKHART, INDIANA 46517 | PHONE (219) 294-8000 |
| DRAWN | LCD | 05/30/97 | DWG. NO. |
| PROJ. | MD360D0 | 102774 | |
| | | SHEET 3 | REV |
| | | CONT. ON | (B) |
| | | SHEET 4 | |

PARTS LIST

| REF DES | C.P.N. | DESCRIPTION | MAP LOC. |
|---------|--------------|--------------------------------|----------|
| Q15 | | INSTALLED ON NEXT ASSEMBLY | I 3 |
| Q16 | | INSTALLED ON NEXT ASSEMBLY | K 2 |
| Q17 | | INSTALLED ON NEXT ASSEMBLY | H 2 |
| Q18 | | INSTALLED ON NEXT ASSEMBLY | M 2 |
| R00 | A10266-2221 | 2.2 KOHM .25W 5% CF T/R | G 4 |
| R01 | A10266-3911 | 390. OHM .25W 5% CF T/R | H 3 |
| R02 | C 6844-2 | 250 OHM LNR VERT ADJ TRIMPOT | H 4 |
| R03 | A10266-5101 | 51.0 OHM .25W 5% CF T/R | B 4 |
| R04 | A10266-1331 | 13.0KOHM .25W 5% CF T/R | D 4 |
| R05 | A10266-7501 | 75.0 OHM .25W 5 CF T/R | D 4 |
| R06 | A10266-1331 | 13.0KOHM .25W 5% CF T/R | K 4 |
| R07 | A10266-7501 | 75.0 OHM .25W 5 CF T/R | K 4 |
| R08 | A10266-1011 | 100. OHM .25W 5% CF T/R | E 3 |
| R09 | C 7778-1 | 5.6 OHM .5W 5% FU/ FP T/R | E 3 |
| R10 | A10266-2201 | 22.0 OHM .25W 5 CF T/R | C 3 |
| R11 | A10266-2201 | 22.0 OHM .25W 5 CF T/R | E 3 |
| R12 | A10266-2201 | 22.0 OHM .25W 5 CF T/R | A 3 |
| R13 | C 6486-2 | 0.2 OHM 5W 5% WIRE | C 2 |
| R14 | C 6486-2 | 0.2 OHM 5W 5% WIRE | E 2 |
| R15 | C 6486-2 | 0.2 OHM 5W 5% WIRE | A 2 |
| R16 | C 6486-2 | 0.2 OHM 5W 5% WIRE | L 2 |
| R17 | C 6486-2 | 0.2 OHM 5W 5% WIRE | I 2 |
| R18 | C 6486-2 | 0.2 OHM 5W 5% WIRE | N 2 |
| R19 | A10266-1011 | 100. OHM .25W 5% CF T/R | J 3 |
| R20 | C 7779-9 | 22. OHM .25W 5% FU/FP T/R | J 3 |
| R21 | A10266-2R74 | 2.7 OHM 2W 5% CF T/R | G 3 |
| R22 | C10444-5 | .02 OHM 5W 3% WW RES AXL MOUNT | H 1 |
| R23 | A10266-2R74 | 2.7 OHM 2W 5% CF T/R | E 2 |
| R24 | A10266-2R74 | 2.7 OHM 2W 5% CF T/R | J 1 |
| R25 | C 7778-1 | 5.6 OHM .5W 5% FU/ FP T/R | F 2 |
| R26 | C 6486-2 | 0.2 OHM 5W 5% WIRE | D 1 |
| R27 | C 6486-2 | 0.2 OHM 5W 5% WIRE | F 1 |
| R28 | C 6486-2 | 0.2 OHM 5W 5% WIRE | B 1 |
| R29 | C 7779-9 | 22. OHM .25W 5% FU/FP T/R | H 2 |
| R30 | C 6486-2 | 0.2 OHM 5W 5% WIRE | J 1 |
| R31 | C 6486-2 | 0.2 OHM 5W 5% WIRE | H 1 |
| R32 | C 6486-2 | 0.2 OHM 5W 5% WIRE | L 1 |
| R33 | C 6844-2 | 250 OHM LNR VERT ADJ TRIMPOT | I 3 |
| R34 | A10266-2721 | 2.7 KOHM .25W 5 CF T/R | C 3 |
| R35 | A10265-11301 | 113 OHM .25W 1% MF T/R | C 3 |
| R36 | A10266-2721 | 2.7 KOHM .25W 5 CF T/R | C 3 |
| R37 | | DO NOT INSTALL | C 2 |
| R38 | | DO NOT INSTALL | L 2 |
| R39 | | DO NOT INSTALL | D 2 |
| R40 | | DO NOT INSTALL | K 2 |
| U00 | | INSTALLED ON NEXT ASSEMBLY | C 3 |
| | | | |
| | | | |
| | | | |
| | | | |

INACTIVE

For Reference Use Only

CROWN INTERNATIONAL INC.

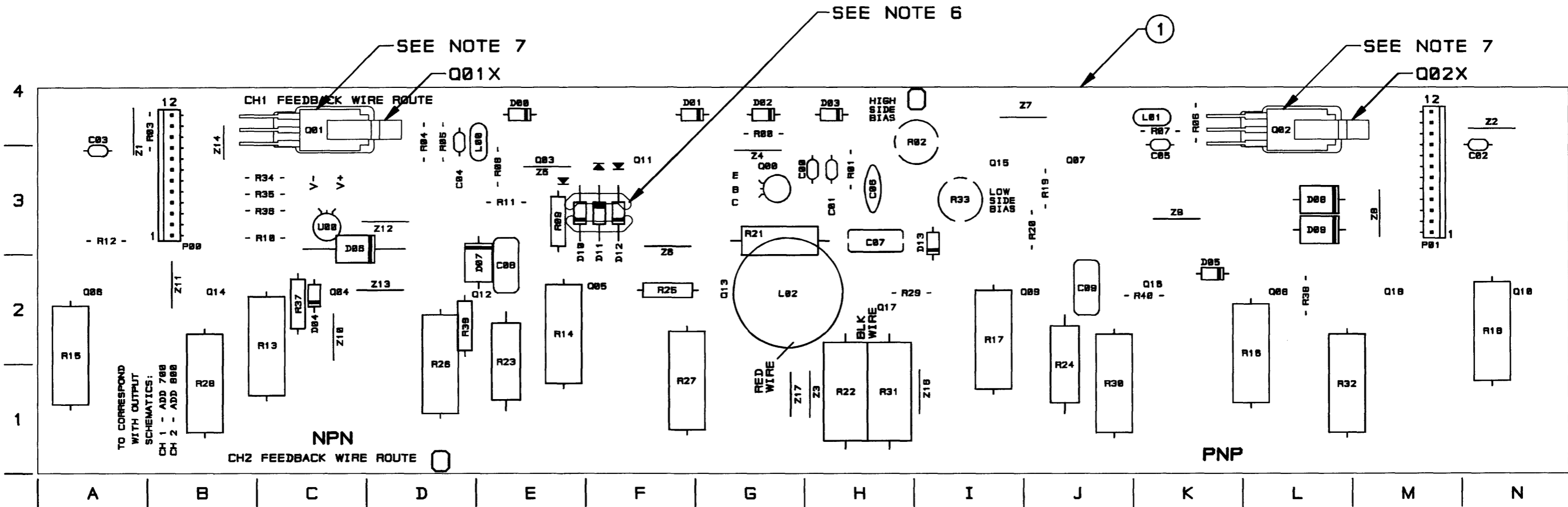
1718 WEST MISHAWAKA ROAD ELKHART, INDIANA 46517 PHONE (219) 294-8000

THESE DRAWINGS AND SPECIFICATIONS ARE THE PROPERTY OF CROWN INTERNATIONAL, INC. AND SHALL NOT BE REPRODUCED, COPIED, OR USED AS THE BASIS FOR THE MANUFACTURE OR SALE OF APPARATUS OR DEVICES WITHOUT PERMISSION.

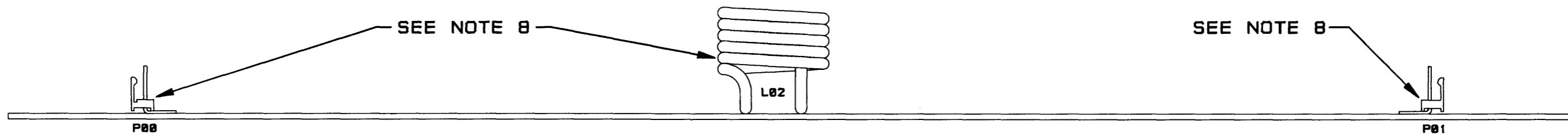
| | | | | | |
|-------|---------|----------|----------|------------------|-----|
| DRAWN | LCD | 05/30/97 | DWG. NO. | SHEET 4 | REV |
| PROJ. | MD360D0 | | 102774 | CONT. ON SHEET 5 | (B) |

COMPONENT MAP

TOP VIEW



SIDE VIEW



INACTIVE
For Reference Use Only

CROWN INTERNATIONAL INC.

1718 WEST MISHAWAKA ROAD ELKHART, INDIANA 48517 PHONE (219) 294-8000

THESE DRAWINGS AND SPECIFICATIONS ARE THE PROPERTY OF CROWN INTERNATIONAL, INC. AND SHALL NOT BE REPRODUCED, COPIED, OR USED AS THE BASIS FOR THE MANUFACTURE OR SALE OF APPARATUS OR DEVICES WITHOUT PERMISSION.

| | | | | | |
|-------|---------|----------|--------|------------------|---------|
| SCALE | NONE | DWG. NO. | 102774 | SHEET 8 | REV (B) |
| PROJ | MD360D8 | | | CONT. ON SHEET - | |

DWG. NO. 102774 REV (B)

C B A

A

6

5

4

3

2

1

D

C

B

A

6

5

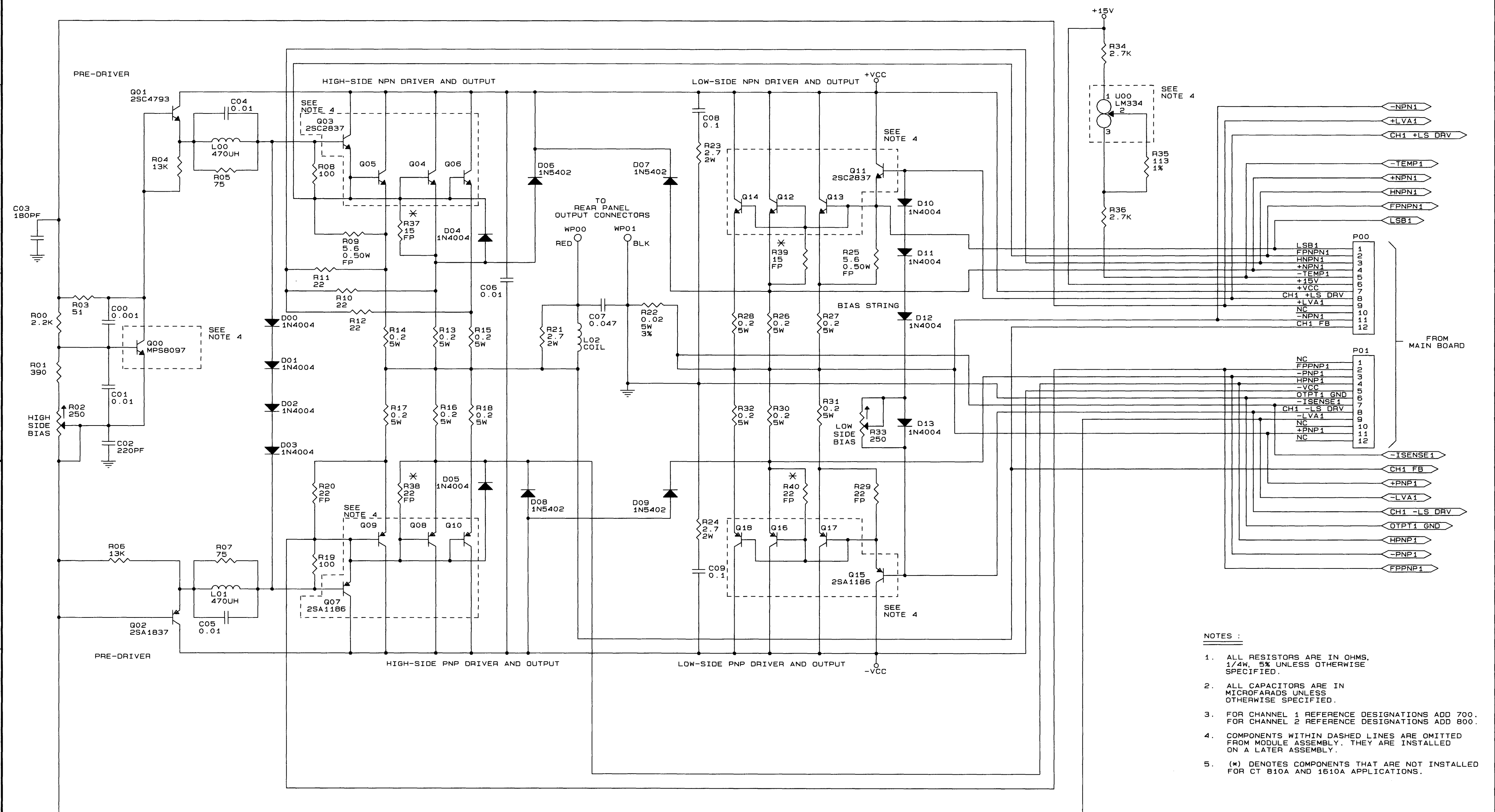
4

3

2

1

| E.C. | ZONE | REV | DESCRIPTION | DATE | BY | APPROVALS | | | | |
|------|------|-----|----------------------------------|----------|-----|-----------|----|----|----|----|
| | | (A) | INITIAL RELEASE | 05/30/97 | LCD | KW | ME | EE | PE | TS |
| | | (B) | RECONNECTED R23 & R24 TO GROUND. | 12-02-97 | TLM | | | | | LS |
| | | (C) | | | | | | | | |



- NOTES :**
1. ALL RESISTORS ARE IN OHMS, 1/4W, 5% UNLESS OTHERWISE SPECIFIED.
 2. ALL CAPACITORS ARE IN MICROFARADS UNLESS OTHERWISE SPECIFIED.
 3. FOR CHANNEL 1 REFERENCE DESIGNATIONS ADD 700. FOR CHANNEL 2 REFERENCE DESIGNATIONS ADD 800.
 4. COMPONENTS WITHIN DASHED LINES ARE OMITTED FROM MODULE ASSEMBLY. THEY ARE INSTALLED ON A LATER ASSEMBLY.
 5. (*) DENOTES COMPONENTS THAT ARE NOT INSTALLED FOR CT 810A AND 1610A APPLICATIONS.

| LAST USED | OBSOLETE |
|-----------|----------|
| C09 | |
| D13 | |
| L02 | |
| Q18 | |
| R40 | |
| U00 | |

INACTIVE
For Reference Use Only

CROWN INTERNATIONAL, INC.
1718 WEST MISHAWAKA ROAD ELKHART, IN. 46517 PHONE (219) 294-8000

SCHEMATIC; CT810A/1610A OUTPUT

| | | | | |
|-----------|--------------|----------------|---------------|--------------------|
| DRAWN | LCD | 05/30/97 | APPROVED BY : | DO NOT SCALE PRINT |
| CHECKED | KW | 05-30-97 | ME | SUPERSEDES |
| SCALE | NONE | EE | PW | 06-02-97 |
| PROJ # | MD36000 | PE | TS | 06-02-97 |
| FILENAME: | 1027730B.SCM | NEXT ASSEMBLY: | | 102773 |

DWG. NO. SHEET 1 OF 1 REV (B)

THESE DRAWINGS AND SPECIFICATIONS ARE THE PROPERTY OF CROWN INTERNATIONAL, INC. AND SHALL NOT BE REPRODUCED, COPIED, OR USED AS THE BASIS FOR THE MANUFACTURE OR SALE OF APPARATUS OR DEVICES WITHOUT PERMISSION.

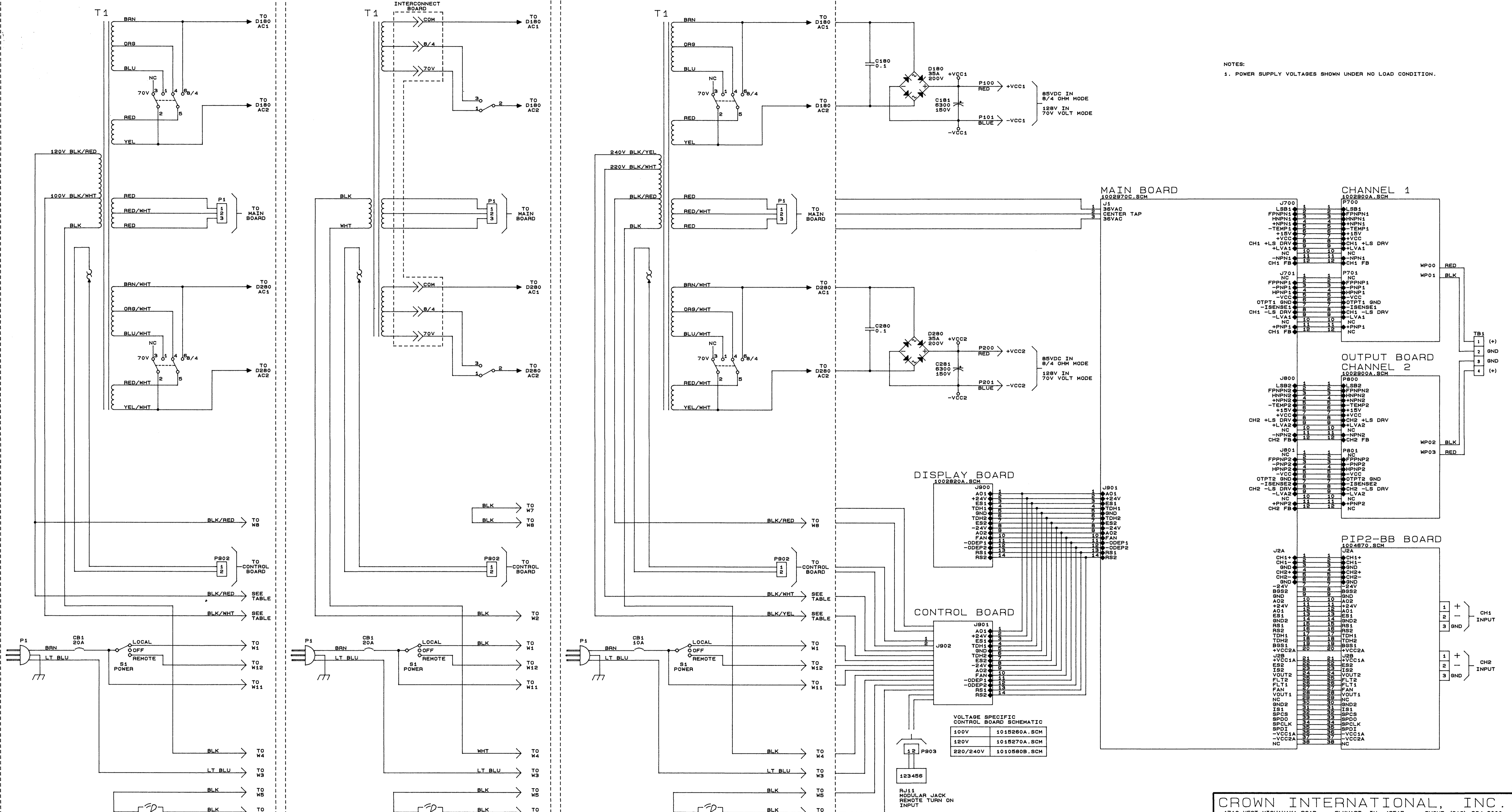
CT810 Interconnect Diagram

| E.C.N. | ZONE | REV | DESCRIPTION | DATE | BY | APPROVALS |
|--------|------|-----|---|----------|-----|-----------|
| 97-101 | | (A) | UPDATED MAIN & CONTROL BOARD SCHEM. FILENAMES. | 11/11/96 | TLM | CK RE TS |
| | | (B) | DELETED C1 (3 PLCS) S1 POWER SWITCH WAS SPST. ADDED W1 & W2 (3 PLCS). P903, RJ11. | 02-18-97 | KLM | CK RE TS |

INTERNATIONAL 100V/120V WIRING

120V 60HZ WIRING

INTERNATIONAL 240V WIRING SHOWN



NOTES:
1. POWER SUPPLY VOLTAGES SHOWN UNDER NO LOAD CONDITION.

CONTROL BOARD WIRING

| LINE | WIRE CONNECTIONS |
|---------|------------------|
| VOLTAGE | BLK/RED BLK/WHT |
| 100V | W9 W2 |
| 120V | W2 W9 |

CONTROL BOARD WIRING

| LINE | WIRE CONNECTIONS |
|---------|------------------|
| VOLTAGE | BLK/YEL BLK/WHT |
| 220V | W9 W2 |
| 240V | W2 W9 |

VOLTAGE SPECIFIC CONTROL BOARD SCHEMATIC

| | |
|----------|--------------|
| 100V | 1015260A.SCM |
| 120V | 1015270A.SCM |
| 220/240V | 1010580B.SCM |

CROWN INTERNATIONAL, INC.
1718 WEST MISHAWAKA ROAD ELKHART, IN. 46517 PHONE (219) 294-8000

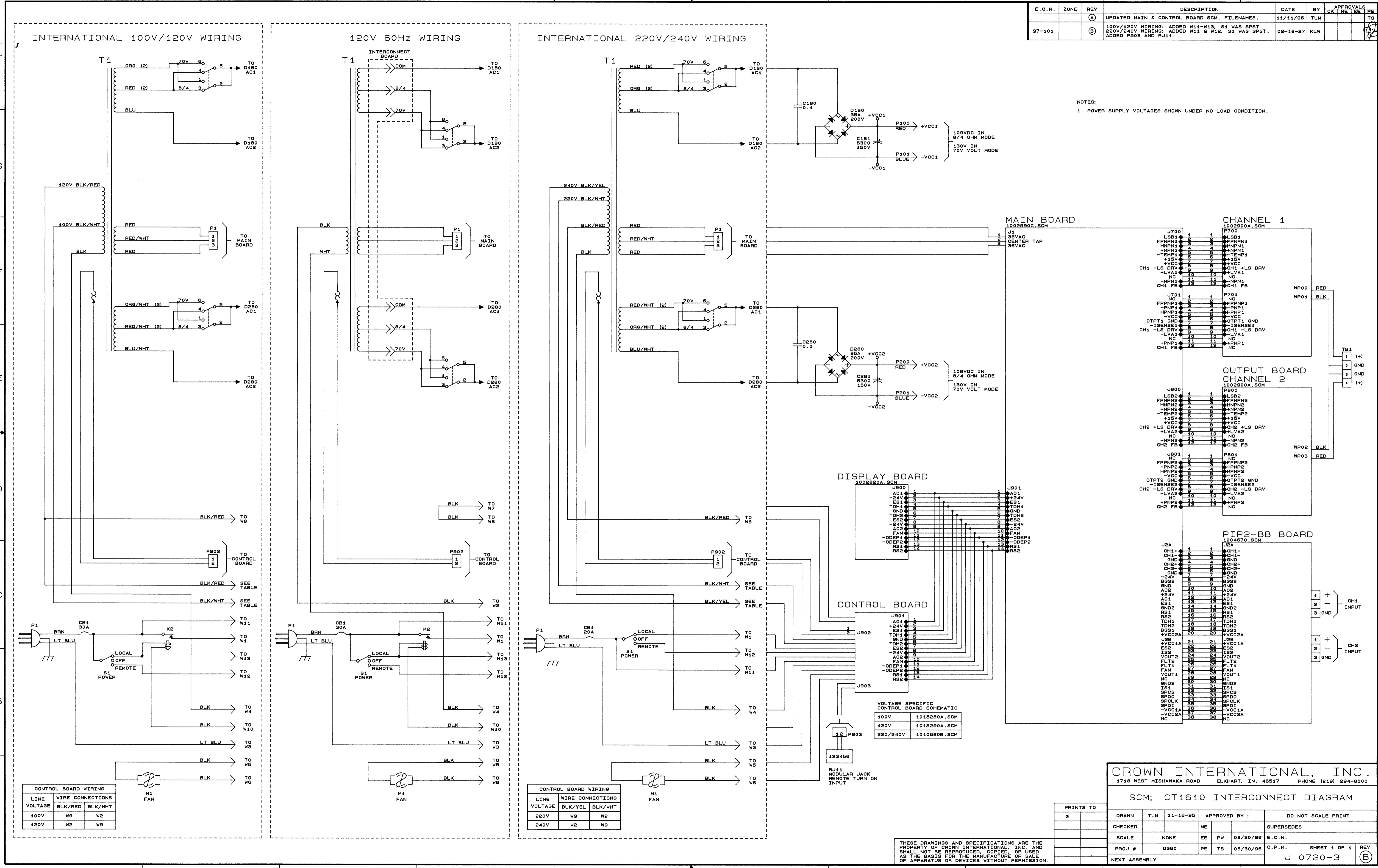
SCHEMATIC; CT810 INTERCONNECT DIAGRAM

| DRAWN | TLM | 11-18-95 | APPROVED BY : | DO NOT SCALE PRINT |
|---------------|------|----------|---------------|--------------------|
| CHECKED | | | ME | SUPERSEDES |
| SCALE | NONE | | EE PW | E.C.N. |
| PROJ # | D360 | | PE TS | C.P.N. |
| NEXT ASSEMBLY | | | | |

THESE DRAWINGS AND SPECIFICATIONS ARE THE PROPERTY OF CROWN INTERNATIONAL, INC. AND SHALL NOT BE REPRODUCED, COPIED, OR USED AS THE BASIS FOR THE MANUFACTURE OR SALE OF APPARATUS OR DEVICES WITHOUT PERMISSION.

CT1610 Interconnect Diagram

| E.C.N. | ZONE | REV | DESCRIPTION | DATE | BY | APPROVALS |
|--------|------|-----|--|----------|-----|---------------|
| 97-101 | | (A) | UPDATED MAIN & CONTROL BOARD SCHEM. FILENAMES. | 11/11/96 | TLM | CK TRH LEE TS |
| | | (B) | 100V/120V WIRING: ADDED W11-W13, S1 WAS SPST. 220V/240V WIRING: ADDED W11 & W12, S1 WAS SPST. ADDED P903 AND RJ11. | 02-18-97 | KLM | |



NOTES:
1. POWER SUPPLY VOLTAGES SHOWN UNDER NO LOAD CONDITION.

| CONTROL BOARD WIRINGS | | | |
|-----------------------|------------------|----|----|
| LINE VOLTAGE | WIRE CONNECTIONS | W1 | W2 |
| 100V | WB | W2 | |
| 120V | WE | W9 | |

| CONTROL BOARD WIRING | | | |
|----------------------|------------------|----|----|
| LINE VOLTAGE | WIRE CONNECTIONS | W9 | W2 |
| 220V | W9 | W2 | |
| 240V | W2 | W9 | |

| VOLTAGE SPECIFIC CONTROL BOARD SCHEMATIC | | |
|--|--------------|--|
| 100V | 1015280A.SCH | |
| 120V | 1015280A.SCH | |
| 220/240V | 1010580B.SCH | |

CROWN INTERNATIONAL, INC.
1718 WEST MISHANAKA ROAD ELKHART, IN. 46517 PHONE (219) 294-8000

SCM; CT1610 INTERCONNECT DIAGRAM

| PRINTS TO | DRAWN | TLM | 11-16-95 | APPROVED BY : | DO NOT SCALE PRINT |
|-----------|---------------|------|----------|---------------|--------------------|
| g | CHECKED | ME | | | SUPERSEDES |
| | SCALE | NONE | EE | PH | 08/30/95 |
| | PROJ # | D360 | PE | TS | 08/30/95 |
| | NEXT ASSEMBLY | | | | |

THESE DRAWINGS AND SPECIFICATIONS ARE THE PROPERTY OF CROWN INTERNATIONAL, INC. AND SHALL NOT BE REPRODUCED, COPIED, OR USED AS THE BASIS FOR THE MANUFACTURE OR SALE OF APPARATUS OR DEVICES WITHOUT PERMISSION.

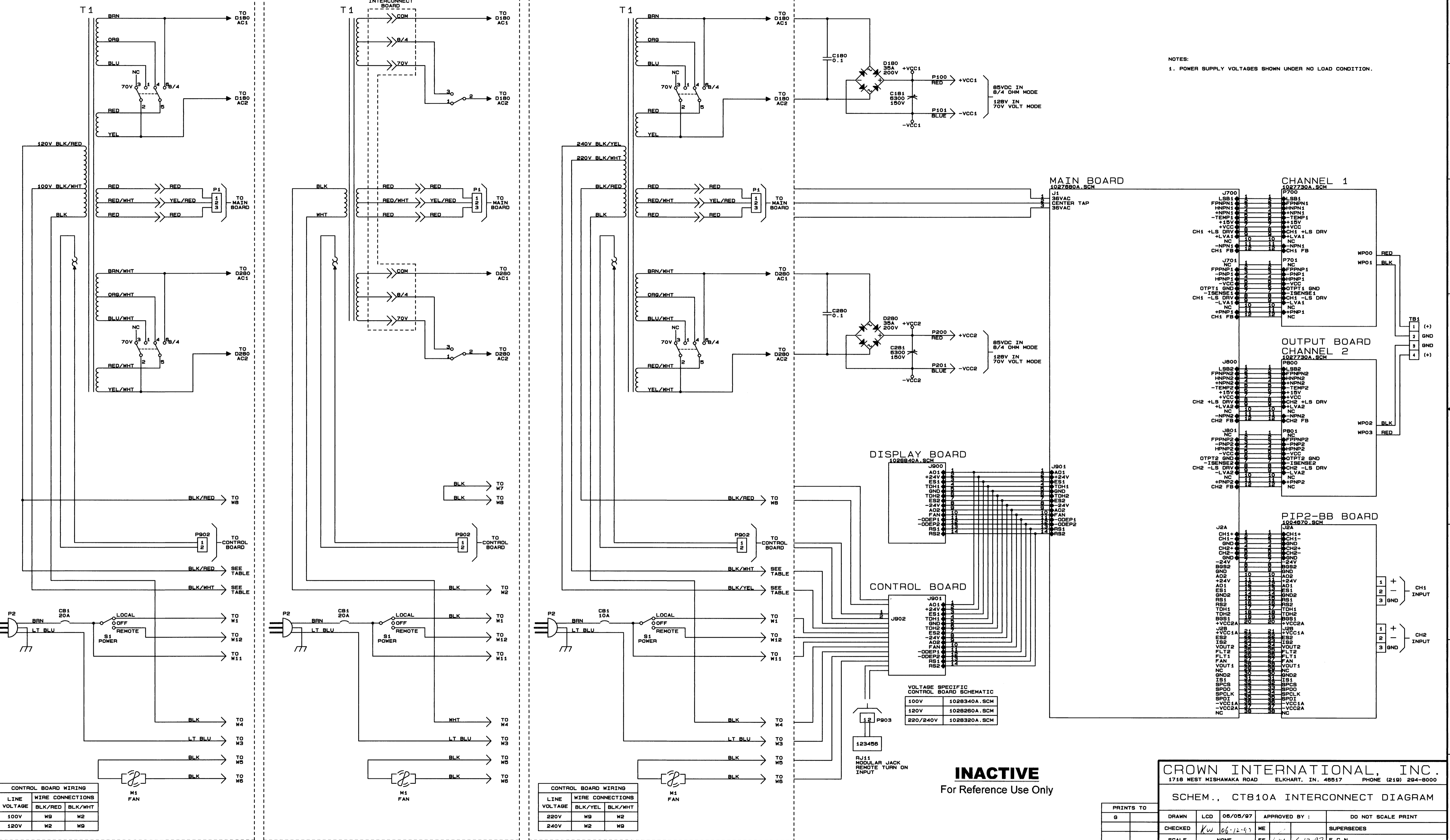
CT810A Interconnect Diagram

| E.C.N. | ZONE | REV | DESCRIPTION | DATE | BY | APPROVALS |
|--------|------|-----|-----------------|----------|-----|-----------|
| | | ① | INITIAL RELEASE | 06/05/97 | LCD | Kw |

INTERNATIONAL 100V/120V WIRING

120V 60HZ WIRING

INTERNATIONAL 240V WIRING SHOWN



NOTES:
1. POWER SUPPLY VOLTAGES SHOWN UNDER NO LOAD CONDITION.

CONTROL BOARD WIRING

| LINE | WIRE CONNECTIONS | |
|---------|------------------|---------|
| VOLTAGE | BLK/RED | BLK/WHT |
| 100V | W9 | W2 |
| 120V | W2 | W9 |

CONTROL BOARD WIRING

| LINE | WIRE CONNECTIONS | |
|---------|------------------|---------|
| VOLTAGE | BLK/YEL | BLK/WHT |
| 220V | W9 | W2 |
| 240V | W2 | W9 |

VOLTAGE SPECIFIC CONTROL BOARD SCHEMATIC

| | |
|----------|--------------|
| 100V | 1028340A.SCH |
| 120V | 1028280A.SCH |
| 220/240V | 1028320A.SCH |

INACTIVE
For Reference Use Only

CROWN INTERNATIONAL, INC.
1718 WEST MISHAWAKA ROAD ELKHART, IN. 46517 PHONE (219) 294-8000

SCHEM., CTB10A INTERCONNECT DIAGRAM

| PRINTS TO | | DRAWN | | DATE | | APPROVED BY : | | DO NOT SCALE PRINT | |
|---------------|--------|----------|----------|---------|--|---------------|--|--------------------|------------|
| G | | LCD | 06/05/97 | ME | | | | | |
| CHECKED | Kw | 06-12-97 | | | | | | | SUPERSEDES |
| SCALE | NONE | EE | 1/16 | 6-12-97 | | | | | E.C.N. |
| PRQJ # | MD3800 | PE | 08 | 6-12-97 | | | | | C.P.N. |
| NEXT ASSEMBLY | | | | | | | | | 102847 |

THESE DRAWINGS AND SPECIFICATIONS ARE THE PROPERTY OF CROWN INTERNATIONAL, INC. AND SHALL NOT BE REPRODUCED, COPIED, OR USED AS THE BASIS FOR THE MANUFACTURE OR SALE OF APPARATUS OR DEVICES WITHOUT PERMISSION.

REV ①

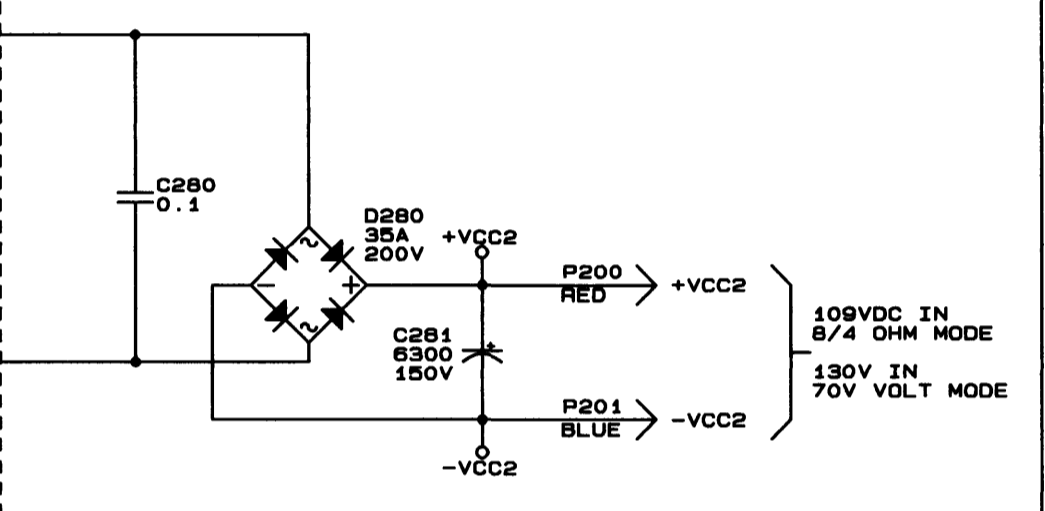
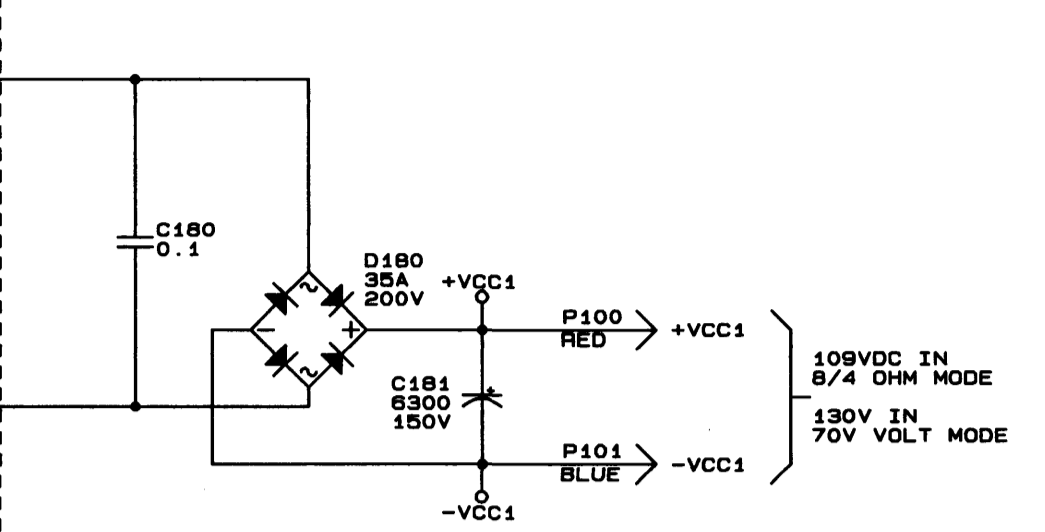
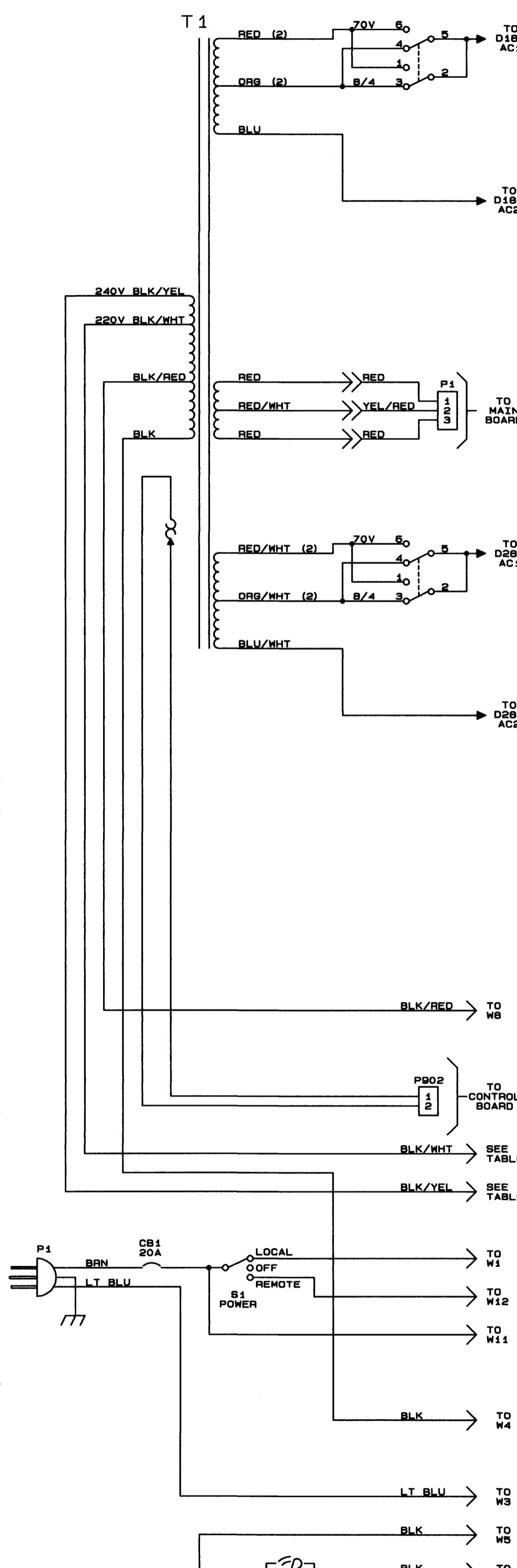
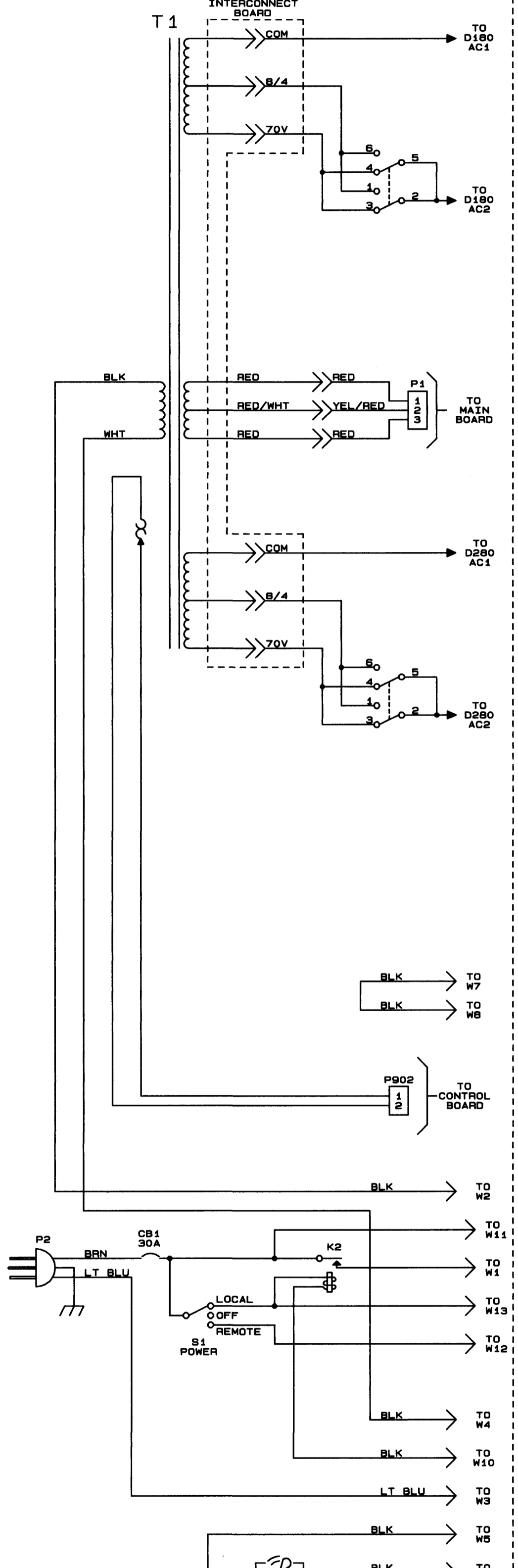
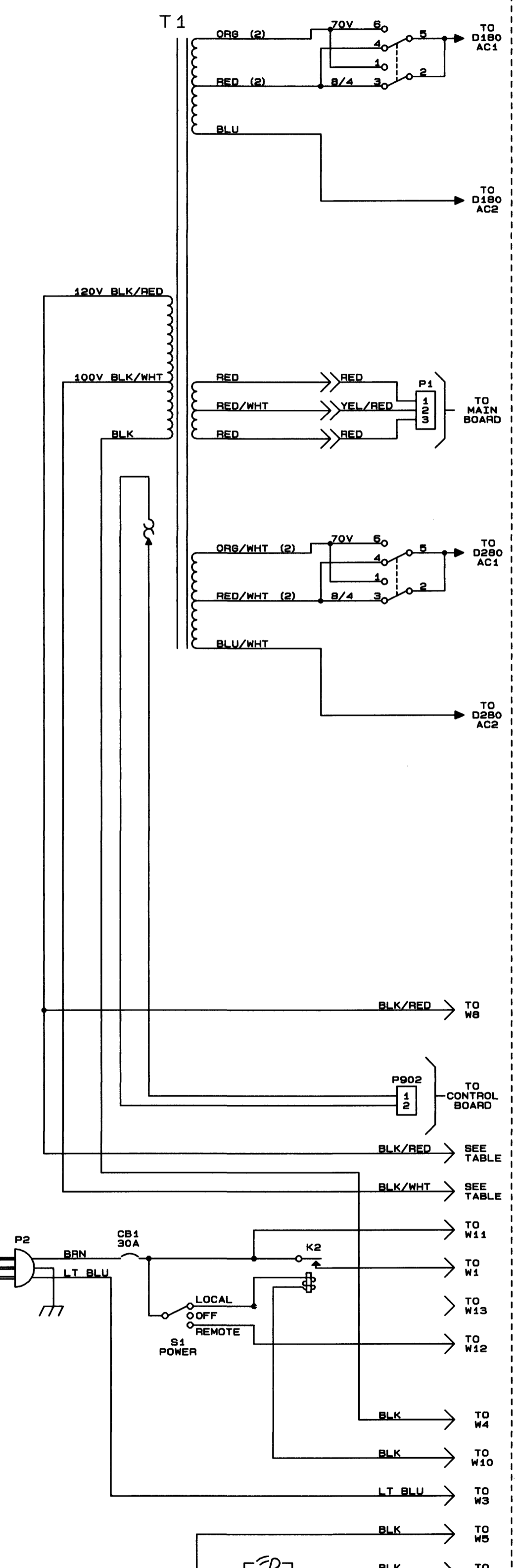
CT1610A Interconnect Diagram

| E.C.N. | ZONE | REV | DESCRIPTION | DATE | BY | APPROVAL |
|--------|------|-----|-----------------|----------|-----|----------|
| | | ① | INITIAL RELEASE | 06/05/97 | LCD | KW |

INTERNATIONAL 100V/120V WIRING

120V 60Hz WIRING

INTERNATIONAL 220V/240V WIRING



NOTES:
1. POWER SUPPLY VOLTAGES SHOWN UNDER NO LOAD CONDITION.

CONTROL BOARD WIRING

| LINE | WIRE CONNECTIONS | |
|---------|------------------|---------|
| VOLTAGE | BLK/RED | BLK/WHT |
| 100V | W8 | W2 |
| 120V | W2 | W8 |

CONTROL BOARD WIRING

| LINE | WIRE CONNECTIONS | |
|---------|------------------|---------|
| VOLTAGE | BLK/YEL | BLK/WHT |
| 220V | W8 | W2 |
| 240V | W2 | W8 |

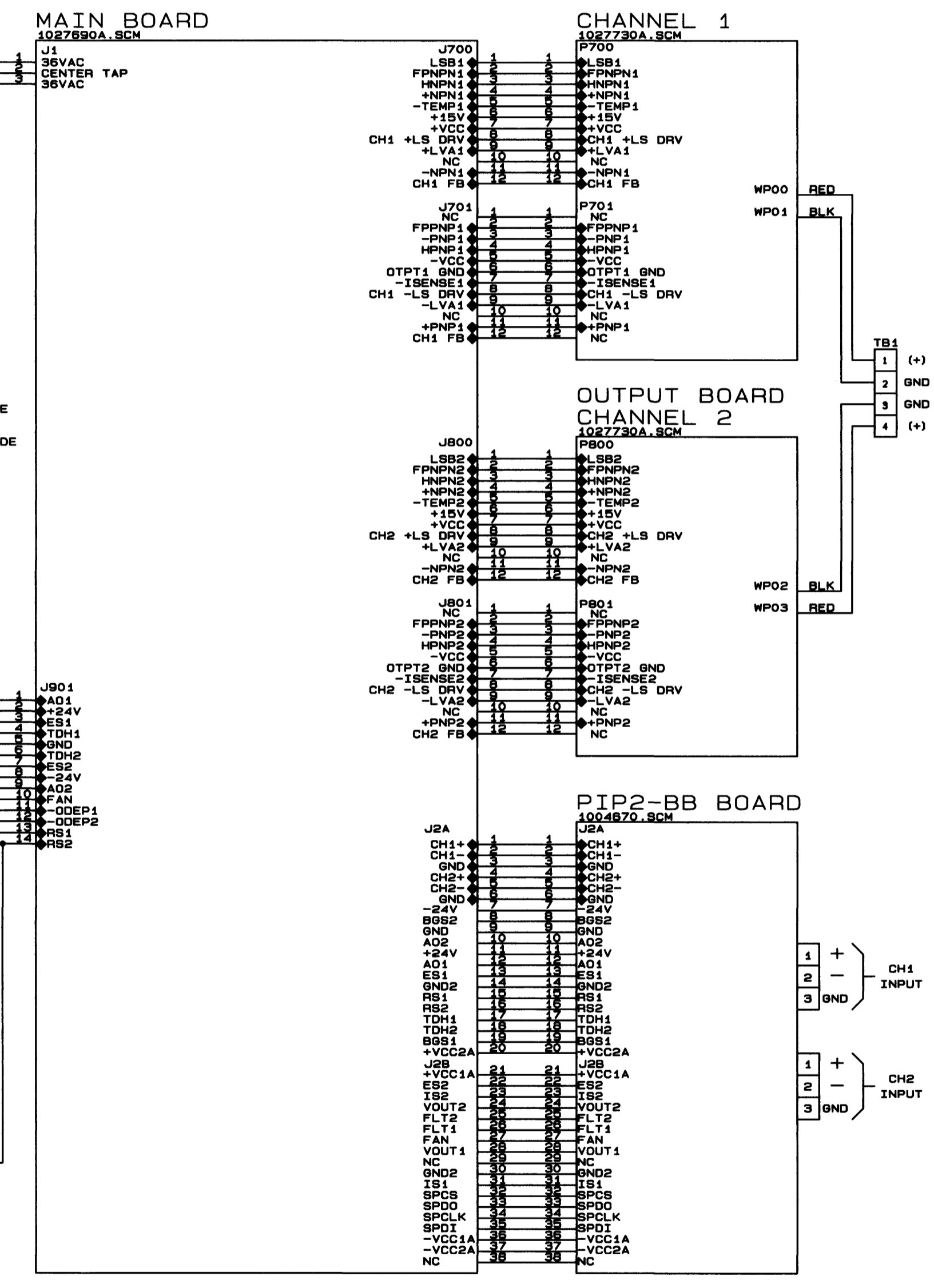
DISPLAY BOARD

CONTROL BOARD

VOLTAGE SPECIFIC CONTROL BOARD SCHEMATIC

| | |
|----------|--------------|
| 100V | 1028280A.SCM |
| 120V | 1028300A.SCM |
| 220/240V | 1028320A.SCM |

INACTIVE
For Reference Use Only



CROWN INTERNATIONAL, INC.
1718 WEST MISHAWAKA ROAD ELKHART, IN. 46517 PHONE (219) 294-8000

SCM; CT1610A INTERCONNECT DIAGRAM

| PRINTS TO | DRAWN | LCD | DATE | APPROVED BY : | DO NOT SCALE PRINT |
|---------------|--------|----------|----------|---------------|--------------------|
| G | | | 06/05/97 | | |
| CHECKED | KW | 06-12-97 | ME | | SUPERSEDES |
| SCALE | NONE | | EE | 6-12-97 | E.C.N. |
| PROJ # | MD3600 | | FE | 6-12-97 | C.P.N. |
| NEXT ASSEMBLY | | | | | 102848 |

THESE DRAWINGS AND SPECIFICATIONS ARE THE PROPERTY OF CROWN INTERNATIONAL, INC. AND SHALL NOT BE REPRODUCED, COPIED, OR USED AS THE BASIS FOR THE MANUFACTURE OR SALE OF APPARATUS OR DEVICES WITHOUT PERMISSION.