



E.C.N.	ZONE	REV	DESCRIPTION	DATE	BY	APPROVALS
		①	REVISED PER MARKED SCHEMATIC OF 3/8/91	3/13/91	TLM	TE
H7, E7, H8, E8		②	ADDED DIODES D198-132 AND D899-232 ADDED RESISTORS R818, R819 AND R100, H101B D187, D897, D897 HAS IN4004 S; R147, T49, T47, T49 T49 HAS 10K VALUE HERE 10K	8/24/91	TLM	TE
H1, H2, H3, H4, H5, H6, H9, H10		③	DELETE R100 AND R101 R100-R101, R100-1000 HERE 150K L300, L400 HERE 1, 6UH ADD D114, E18, D14, D18 ADD T91-1 T91J T91-0 ADD R114, R14, R8 ADD H517-R81, D1017-L081	10/05/92	LCD	JM
H6, H10		④	REMOVE R100 BETWEEN P900-3 AND P900-1 AND P900 BETWEEN P901-1 AND P900-2	04-10-93	LCD	JM

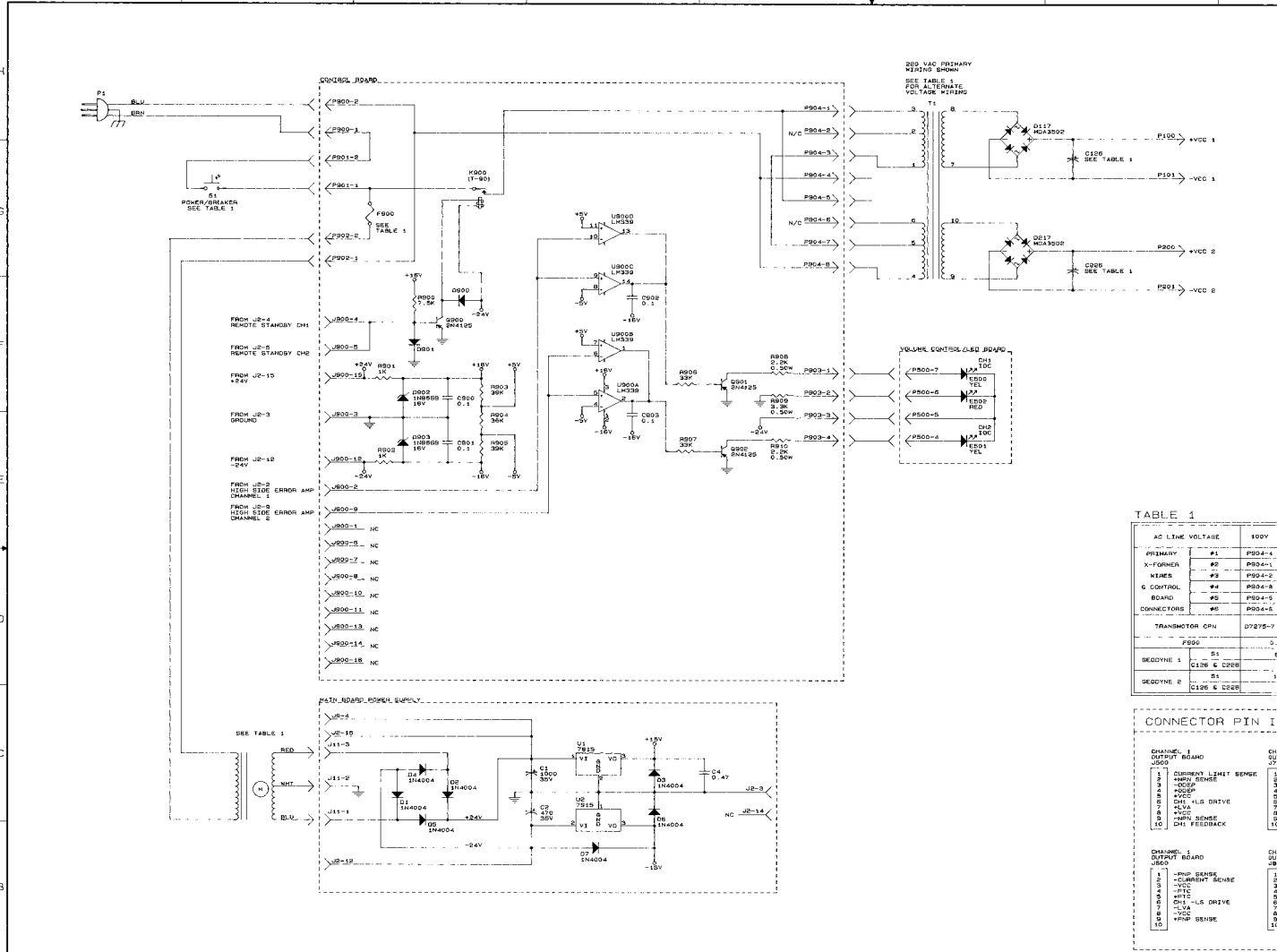


TABLE 1

AC LINE VOLTAGE	100V	120V	220/230V	240V
PRIMARY	#1 P904-4	P904-4	P904-3	P904-3
X-FORMER	#2 P904-1	P904-2	P904-2	P904-2
WIRES	#3 P904-2	P904-1	P904-1	P904-1
S CONTROL BOARD	#4 P904-4	P904-4	P904-4	P904-4
CONNECTORS	#5 P904-5	P904-5	P904-7	P904-7
TRANSFORMER C04	D7875-7	D6603-7	D6604-5	
P900	0.5A	0.25A	0.25A	
GEODYNE 1	S1	8A	4A	
GEODYNE 2	C106 & C206	7800 / 80V		
GEODYNE 3	S1	15A	8A	
	C106 & C206	10000 / 110V		

COMMON

LAST USED	OBSOLETE
07	C3
R18	R2, 3, 5, 6, 11-15
S4	S1, 2
U2	

CHANNEL 1

LAST USED	OBSOLETE
C157	C102, 121, 125, 127, 128, 131, 132, 140, 143
C130	C100-107, 114+116, 119, 119
N102	
E192	D114
H190	H100, 112, 114, 115, 118, 117, 149, 172, 174
H216	H900-905
U164	

CHANNEL 2

LAST USED	OBSOLETE
D257	C202, 221, 225, 227, 228, 231, 230, 242, 243
D293	D200-207, 214-216, 219, 219
H202	
H202	D214
H990	H900, 212, 214, 215, 216, 217, 269, 272, 274
H1015	H1000-1005
U204	

CONNECTOR PIN IDENTIFICATION

CHANNEL 1 INPUT BOARD J900	CHANNEL 2 OUTPUT BOARD J700
1 - CURRENT LIMIT SENSE	1 - CURRENT LIMIT SENSE
2 - +MPP SENSE	2 - +MPP SENSE
3 - -MPP SENSE	3 - -MPP SENSE
4 - +OCP	4 - +OCP
5 - -OCP	5 - -OCP
6 - +MPP SENSE	6 - +MPP SENSE
7 - +MPP SENSE	7 - +MPP SENSE
8 - +MPP SENSE	8 - +MPP SENSE
9 - +MPP SENSE	9 - +MPP SENSE
10 - +MPP SENSE	10 - +MPP SENSE

**CROWN INTERNATIONAL, INC.**  
1719 WEST NICHAMAKA ROAD ELKHART, IN. 46517 PHONE (317) 284-8000

**SCHEMATIC: GEODYNE MAIN**

PRINTS TO	CHANN	TLM	8/24/91	APPROVED BY	DO NOT SCALE PRINT
GA					
CHECKED					SUPP/SEDES J0435-B REV. D
SCALE		NONE	EE		E.C.N. J0435-B 8/24/91
PAID #		2287	FE TS	8/8/91	C.P.N. SHEET 2 OF 2
NEXT ASSEMBLY					J0435-B REV. D