

# Technical Manual

# JBL 2227H/HPL



## SPECIFICATIONS

### ACOUSTIC & ELECTRICAL SPECIFICATIONS:

- Nominal Impedance: 8 ohm
- Power Capacity: 600W
- Frequency Range: 50 Hz – 3 kHz
- Sensitivity: 100 dB SPL\*
- Crossover Frequency: N/A

### SYSTEM COMPONENTS:

- Cabinet: N/A
- Grille: N/A
- Low Frequency Transducer: 380mm (15 in.) Cone Transducer (2227H/HPL)
- DC Resistance: 4.7 ohm  $\pm 10\%$  Aluminum Wire

### AURAL SWEEP TEST SPECIFICATIONS:

- L.F. Aural Sweep Test: 10.0V Input, 20 Hz – 1.2 kHz

### PHYSICAL SPECIFICATIONS:

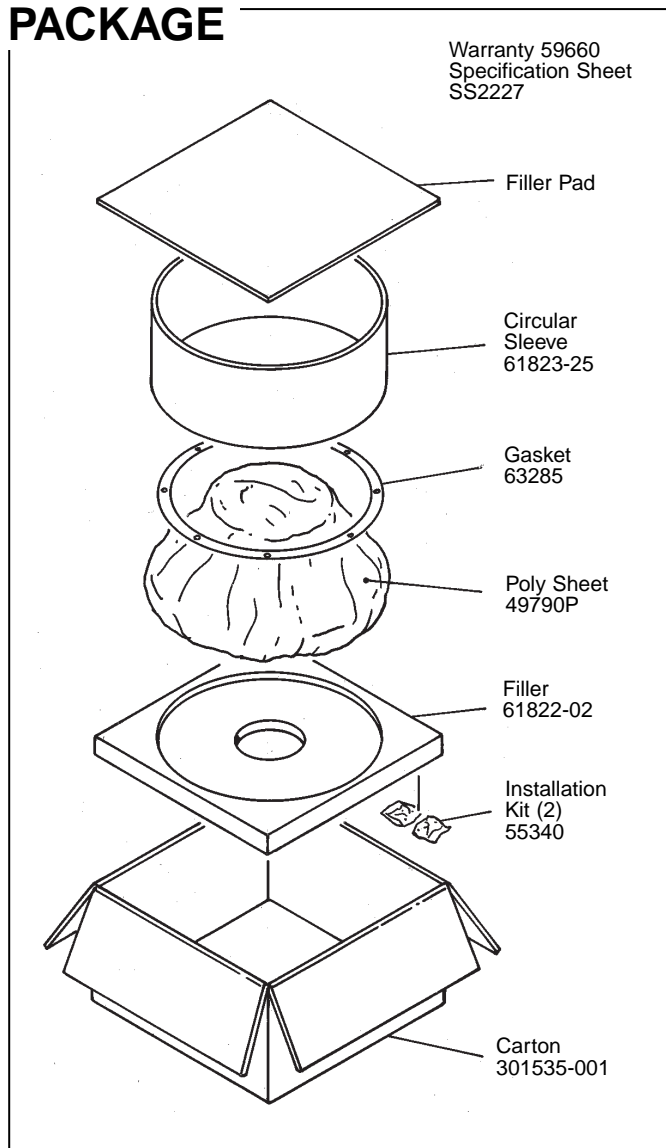
- Enclosure Dimensions: 388mm DIA x 163mm D (15.25 DIA x 6.43 in. D)
- Shipping Weight: 29 lbs. (13.2 kg.)

### WARRANTY INFORMATION:

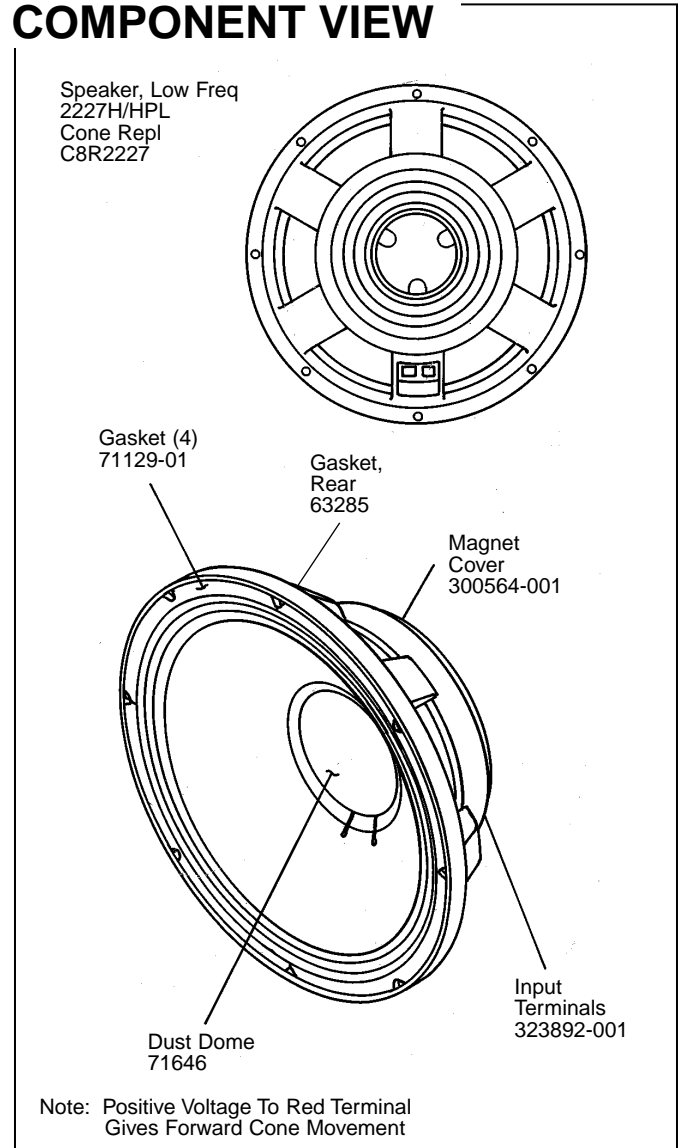
- Refer to Warranty Statement packed with each product.

\*1 Watt (2.83 V RMS) @ 1 Meter

## PACKAGE



## COMPONENT VIEW

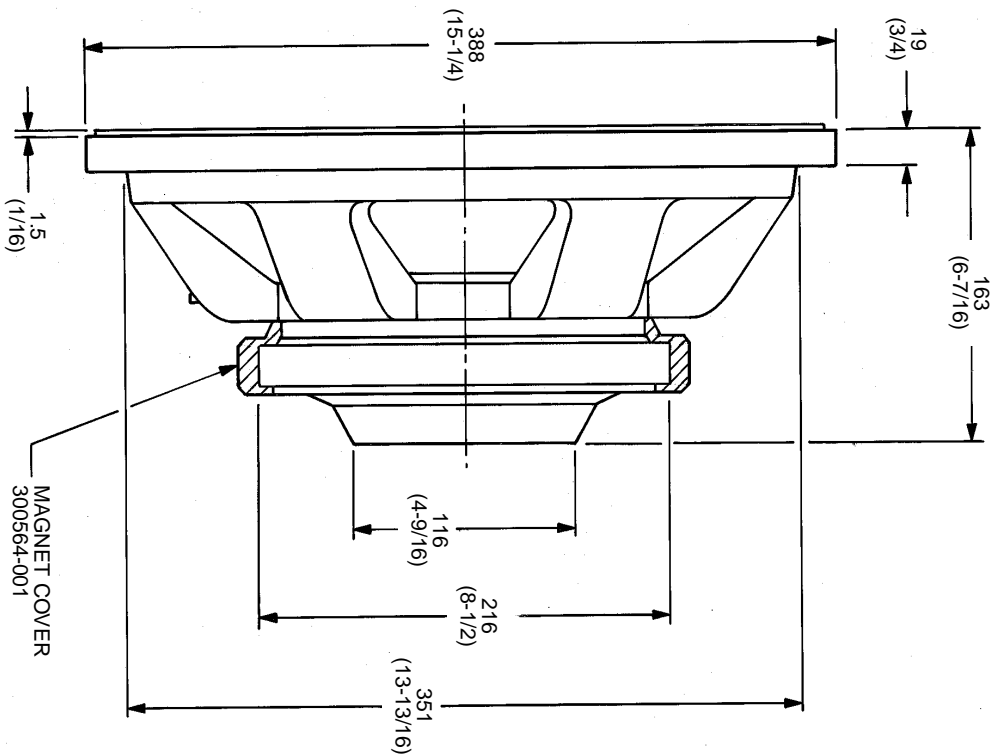


JBL 2227H/HPL REV D

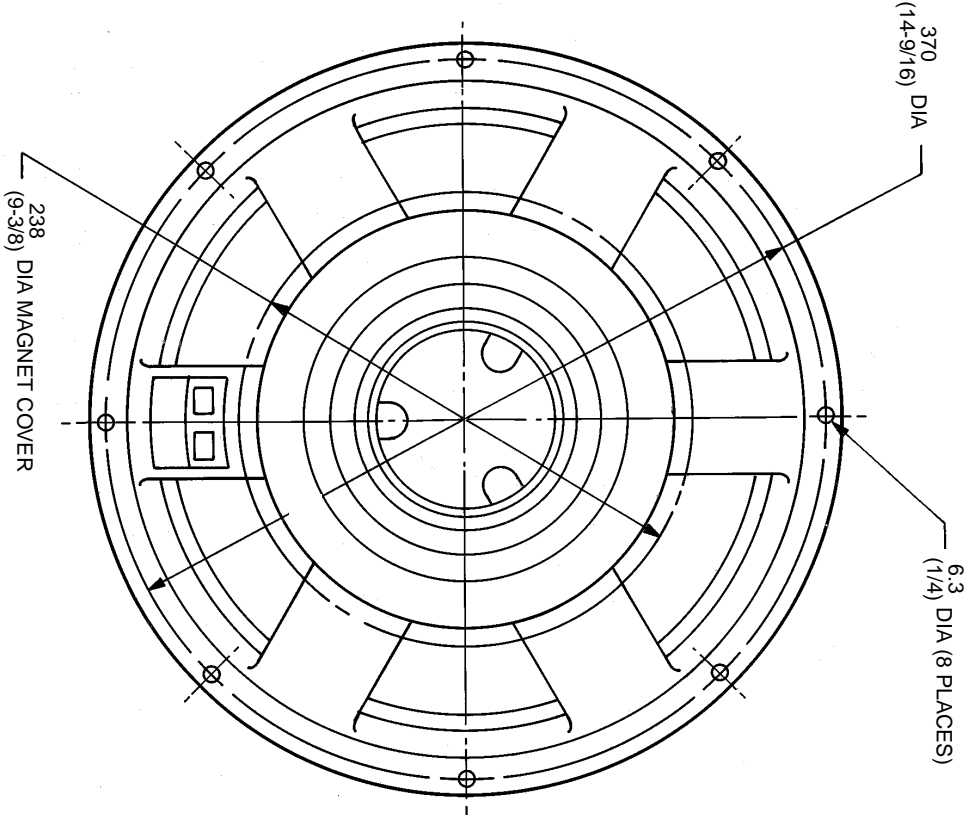
# JBL2227H/HPL

## MECHANICAL DRAWING

THESE DRAWINGS AND SPECIFICATIONS ARE THE PROPERTY OF JBL INCORPORATED AND SHALL NOT BE REPRODUCED, COPIED, OR USED AS THE BASIS FOR MANUFACTURE OR SALE OF APPARATUS WITHOUT WRITTEN PERMISSION.



MAGNET COVER  
300564-001



ALL DIMENSIONS ARE REF ONLY  
NOTE: DIMENSIONS IN ( ) ARE IN INCHES