

Technical Manual

3622N

SPECIFICATIONS



ACOUSTIC & ELECTRICAL SPECIFICATIONS:

- Nominal Impedance: 4 ohms
- Power Capacity: 400W
- Frequency Range: 30 Hz – 20 kHz
- Sensitivity: 101 dB 2V @ 1 Meter
- Crossover Frequency: 1300 Hz

SYSTEM COMPONENTS:

- Cabinet: 4509
- Low Frequency Transducer: 380mm (15 in.) M115-8A Cone Transducer (2) (124-67001-01X)
- DC Resistance: 5.3 ohms
- High Frequency Transducer: 2418H-1 (44mm) 1.75 Diaphragm Compression Driver (2418H-1)
- DC Resistance: 3.7 ohms ± 5 %

SYSTEM COMPONENTS: (Cont'd)

- Crossover Network 336966-001
- Terminal Cup: 396-00013-00

AURAL SWEEP TEST SPECIFICATIONS:

- A. System Aural Sweep Test: 7.0V Input, 500 Hz to 20 kHz
- B. L.F. Aural Sweep Test: 7.0V Input, 20 Hz to 1.2 kHz
- C. H.F. Aural Sweep Test: 1.0V Input, 200 Hz to 1200 Hz

PHYSICAL SPECIFICATIONS:

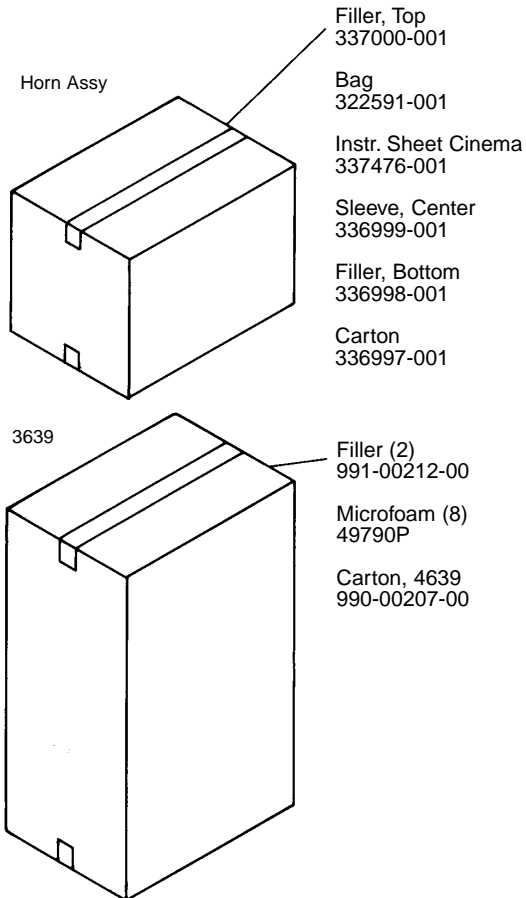
- Enclosure Dimensions: 1289mm x 762mm x 450mm D (50.75 x 30.0 x 17.75 in. D)
- Shipping Weight: 166 lbs. (75.4 kg.)

WARRANTY INFORMATION:

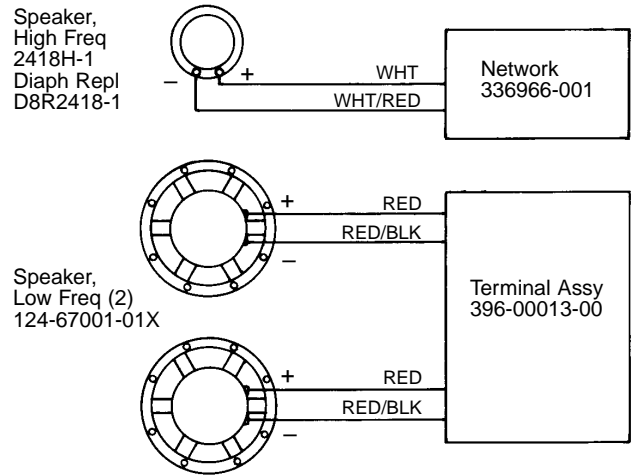
- Refer to Warranty Statement packed with each product.

PACKAGE

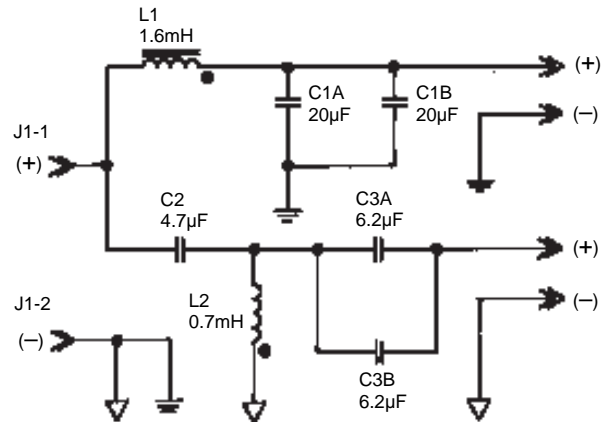
Warranty 59660



WIRING DIAGRAM



SCHEMATIC, CROSSOVER NETWORK (336966-001)



3622N REV H

3622N

COMPONENT EXPLODED VIEW

