

Technical Manual

JBL3678-LF



SPECIFICATIONS

ACOUSTIC & ELECTRICAL SPECIFICATIONS:

- Nominal Impedance: 8 ohm
- Power Capacity: 300W (Passive) IEC Noise HF: 50W LF: 600W (Bi-Amp)
- Frequency Range: 30 Hz to 20 kHz (-10dB) w/3678HF - Passive Mode
- Sensitivity: 98 dB SPL*
- Crossover Frequency: 1 kHz

SYSTEM COMPONENTS:

- Cabinet: C3678
- Grille: None
- Low Frequency Transducer: 380mm (15 in.) Paper Cone Transducer (2226HPL)
- DC Resistance: 5.0 ohm \pm 10% Aluminum Wire

SYSTEM COMPONENTS: (cont'd)

- Crossover Network: N3678-LF (129-20015-00)

AURAL SWEEP TEST SPECIFICATIONS:

- A. System Aural Sweep Test: (w/3678HF Connected) 7.0V Input, 20 Hz to 20 kHz (Passive Mode)
- B. L.F. Aural Sweep Test: 10.0V Input, 20 Hz to 1.2 kHz

PHYSICAL SPECIFICATIONS:

- Enclosure Dimensions: 765mm x 651mm x 292mm D (30.13 x 25.63 x 11.5 in. D)
- Shipping Weight: 98 lbs. (44 kg.)

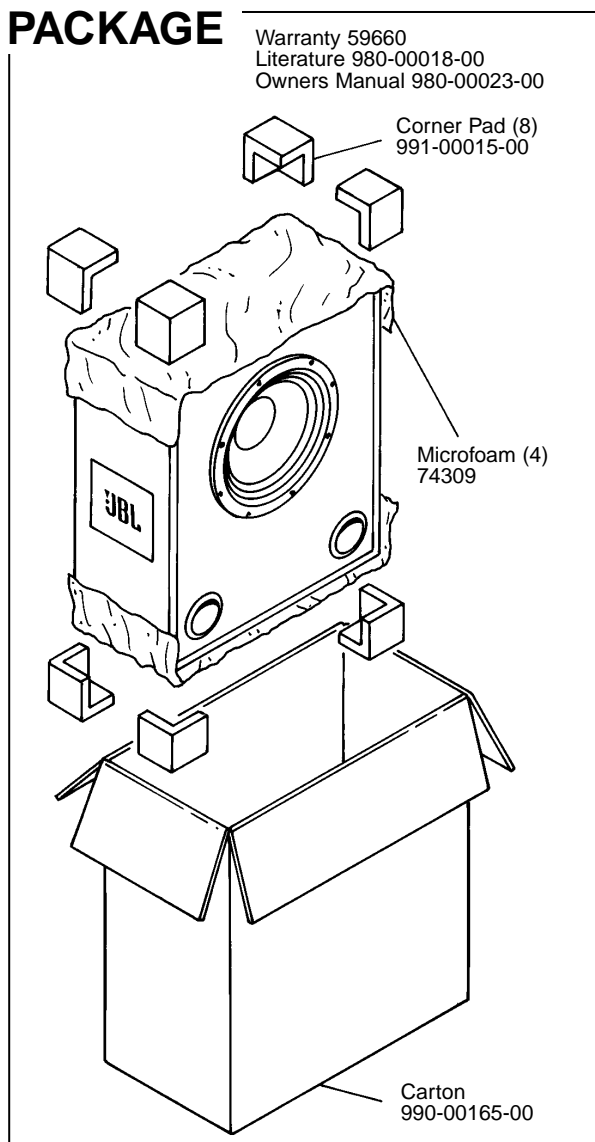
WARRANTY INFORMATION:

- Refer to Warranty Statement packed with each product.

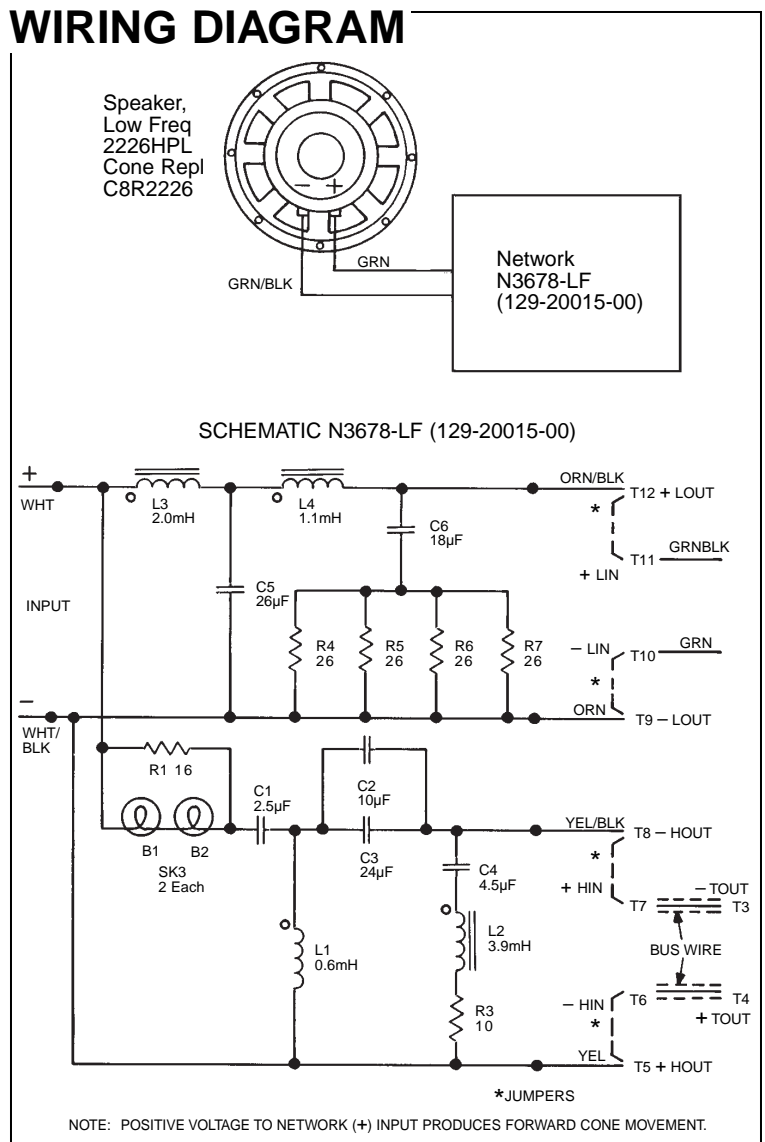
*1 Watt (2.83 V RMS) @ 1 Meter

PACKAGE

Warranty 59660
Literature 980-00018-00
Owners Manual 980-00023-00



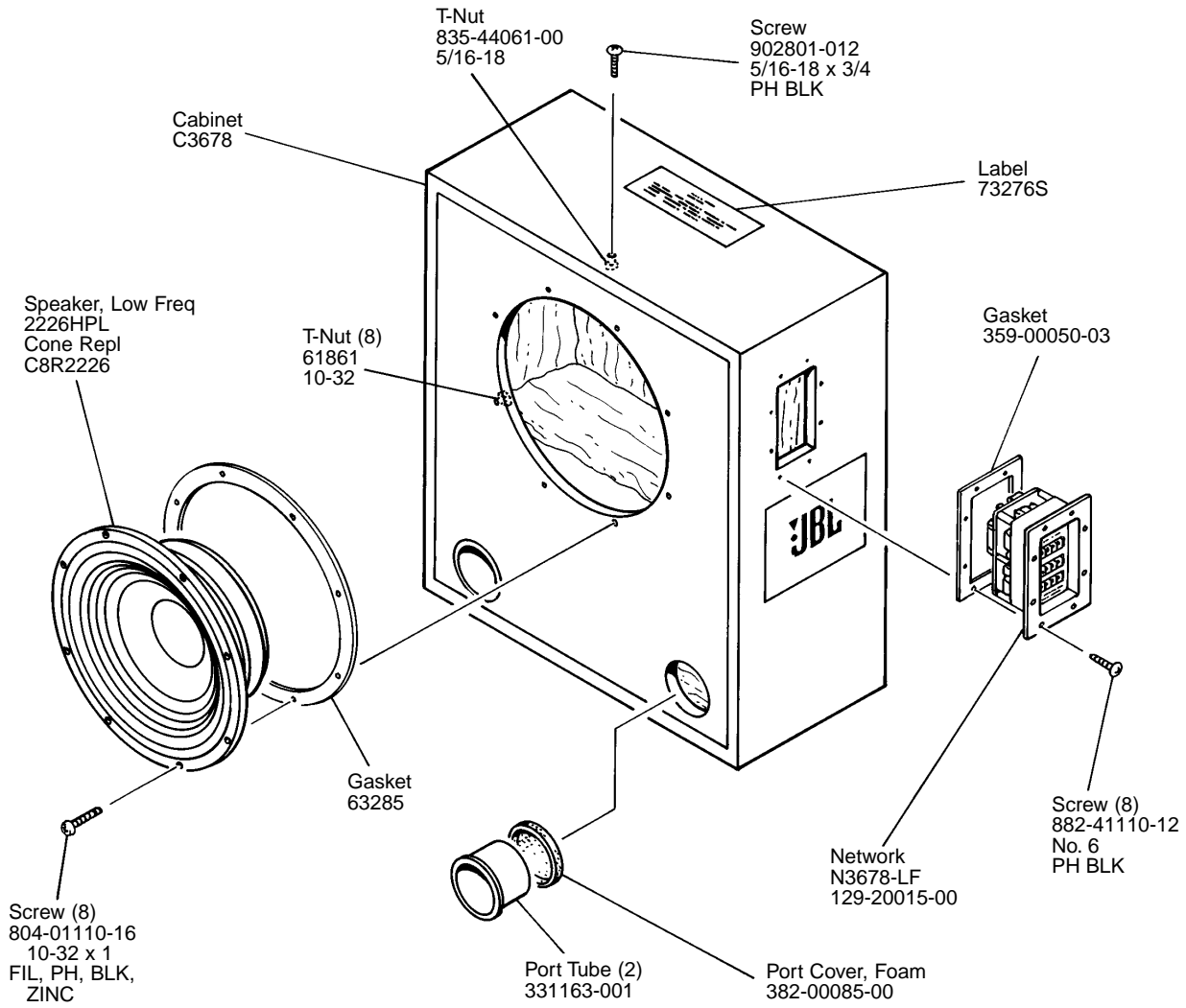
WIRING DIAGRAM



JBL3678-LF REV H

JBL3678-LF

COMPONENT EXPLODED VIEW

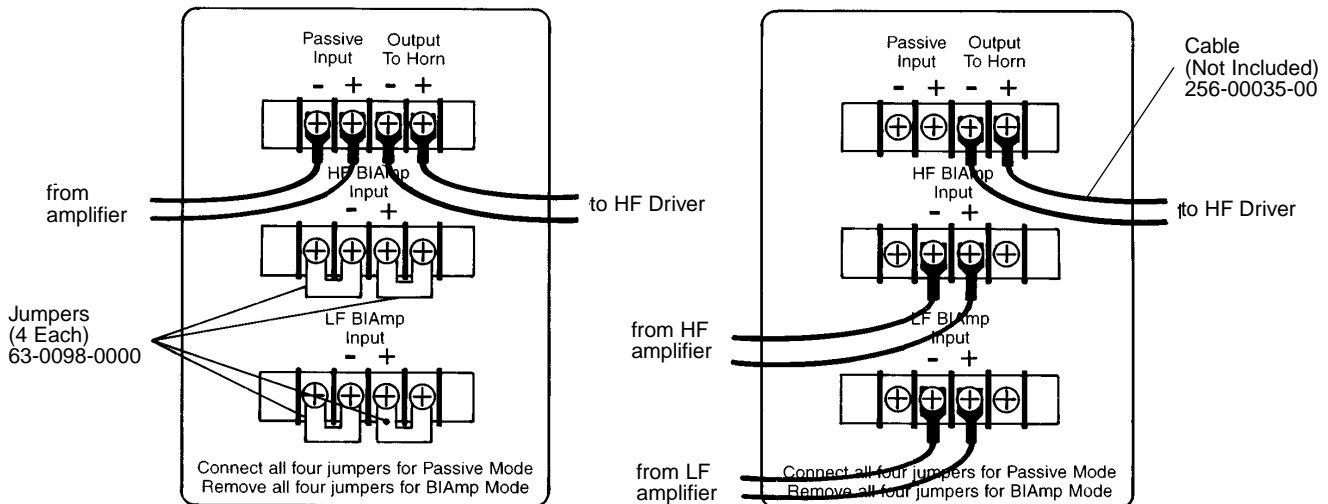


3678-LF NETWORK WIRING INSTRUCTIONS:

The internal network of the 3678-LF (low frequency section) can be used to operate the system in either passive or bi-amplified mode.

The network comes pre-configured for passive crossover operation, with four jumpers in place, as shown:

To bypass the internal passive crossover network for bi-amplified operation, remove all four jumpers and connect as shown:



Note that in both passive and bi-amplified mode, the same HF driver cable connection is made.