

Technical Manual

JBL4639

SPECIFICATIONS



ACOUSTIC & ELECTRICAL SPECIFICATIONS:

- Nominal Impedance: 4 ohm
- Power Capacity: 800W AES; 1200W Recommended Amplifier
- Frequency Range: 30 Hz – 250 Hz
- Sensitivity: 100 dB SPL, 1 Watt @ 1 Meter
- Crossover Frequency: 250Hz

SYSTEM COMPONENTS:

- Cabinet: 4639 (Not For Sale)
- Low Frequency Transducer: 380mm (15 in.) Paper Cone Transducer (2035HPL-1)(2)
- DC Resistance: 2.45 ohm ±10%
- Terminal Assy: 396-00012-00

AURAL SWEEP TEST SPECIFICATIONS:

- A. System Aural Sweep Test: 10.0V Input, 20 Hz to 1.2 kHz
- B. L.F. Aural Sweep Test: 10.0V Input, 20 Hz to 1.2 kHz

PHYSICAL SPECIFICATIONS:

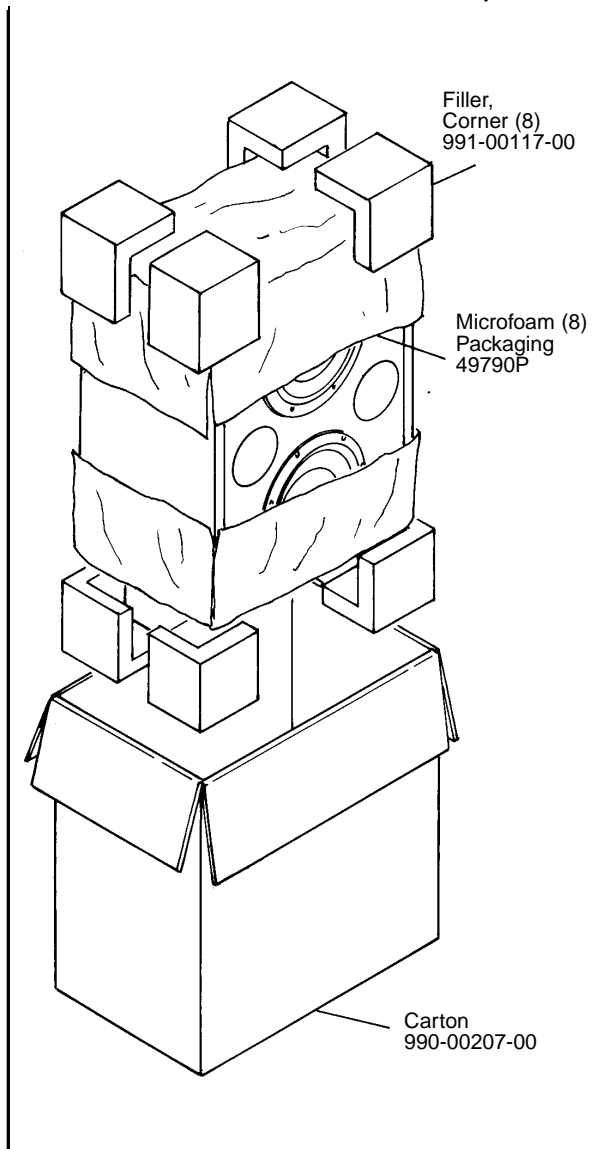
- Enclosure Dimensions: 883mm x 762mm x 450mm D (34.75 x 30.0 x 17.75 in. D)
- Shipping Weight: 104 lbs. (47.2 kg.)

WARRANTY INFORMATION:

- Refer to Warranty Statement packed with each product.

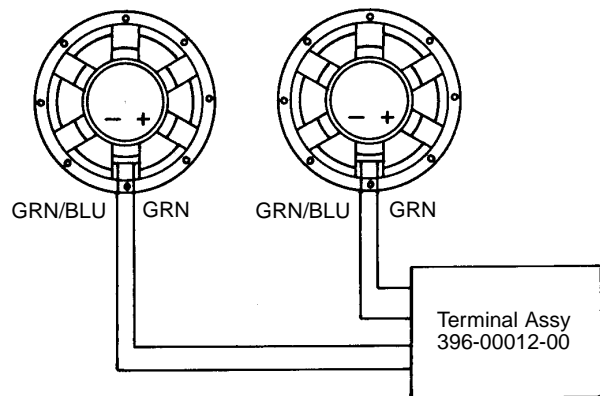
PACKAGE

Warranty 59660



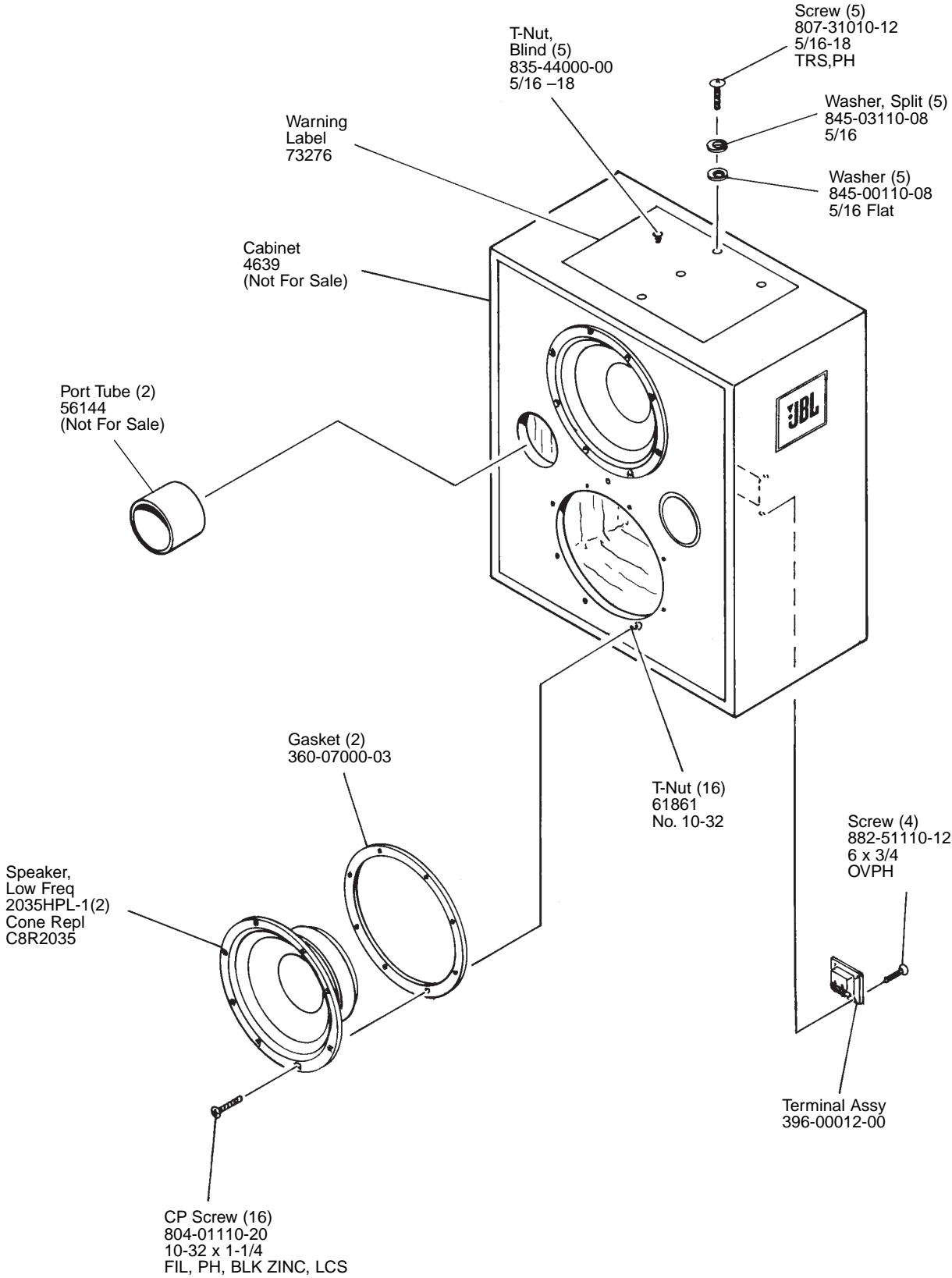
WIRING DIAGRAM

Speaker, Low Freq
2035HPL-1 (2)
Cone Repl
C8R2035



JBL4639

COMPONENT EXPLODED VIEW



JBL4639