

# Technical Manual

# JBL 6208

## SPECIFICATIONS



### ACOUSTIC & ELECTRICAL SPECIFICATIONS:

- Nominal Impedance: 10K Line Level
- Frequency Range: 45 Hz to 20 kHz (-10 dB)
- Sensitivity: +4/-10 dBV (1.23V/0.25V)
- Crossover Frequencies: 2.6 kHz

### SYSTEM COMPONENTS:

- Cabinet: C6208
- Grille: (330867-001)
- Low Frequency Transducer: 200mm (8 in.) Cone Transducer 508G-3S (73284-01X)
- DC Resistance: 5.9 ohm ±5% Copper Wire
- High Frequency Transducer: 25mm (1 in.) Gold Titanium/Hybrid Dome 031TiS-1 (330862-001)
- DC Resistance: 3.5 ohm to 4.2 ohm Copper Wire

### SYSTEM COMPONENTS: (cont'd)

- Power Amp: (See Page 2)

### AURAL SWEEP TEST SPECIFICATIONS:

- A. L.F. Aural Sweep Test: 4.0V Input, 20 Hz to 1.2 kHz
- B. H.F. Aural Sweep Test: 2.0V Input, 2.0 kHz to 20 kHz

### PHYSICAL SPECIFICATIONS:

- Enclosure Dimensions: 451mm x 286mm x 326mm D (17.75 x 11.25 x 12.85 in. D)

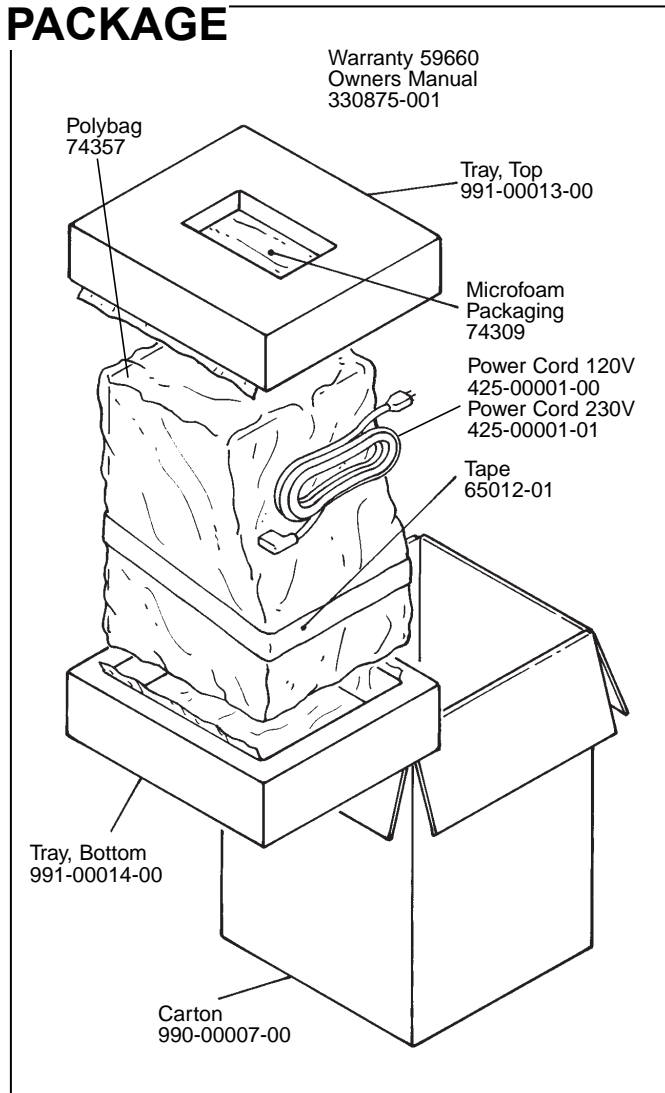
### SHIPPING WEIGHT:

34 lbs. (15.4 kg.)

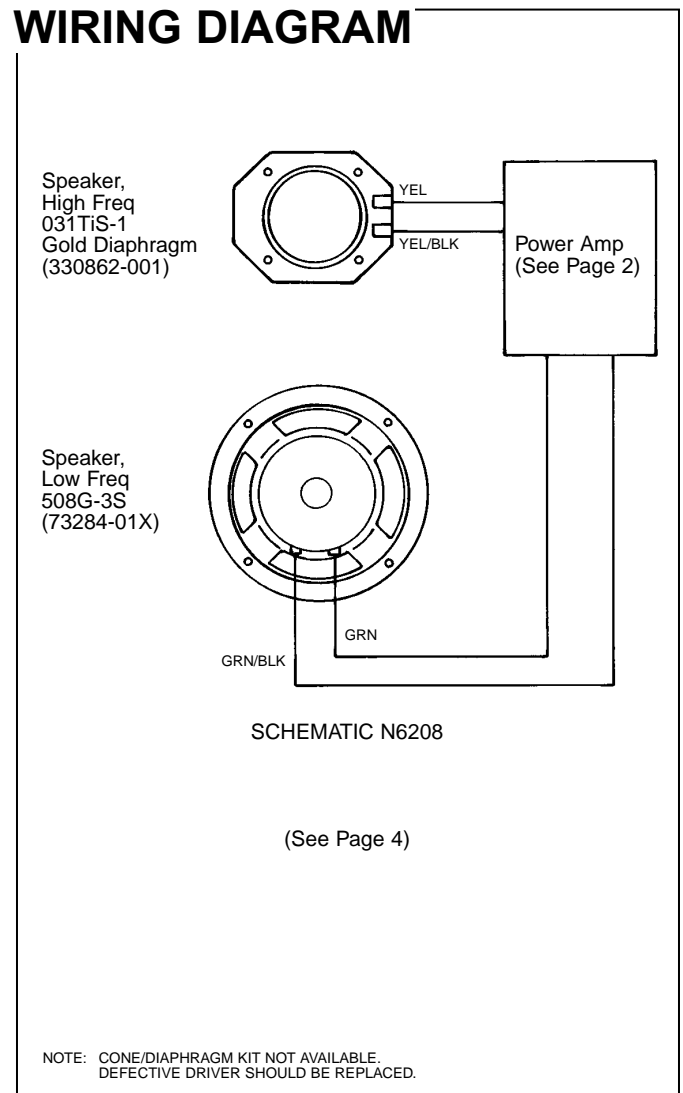
### WARRANTY INFORMATION:

- Refer to the Warranty Statement packed with each product.

## PACKAGE

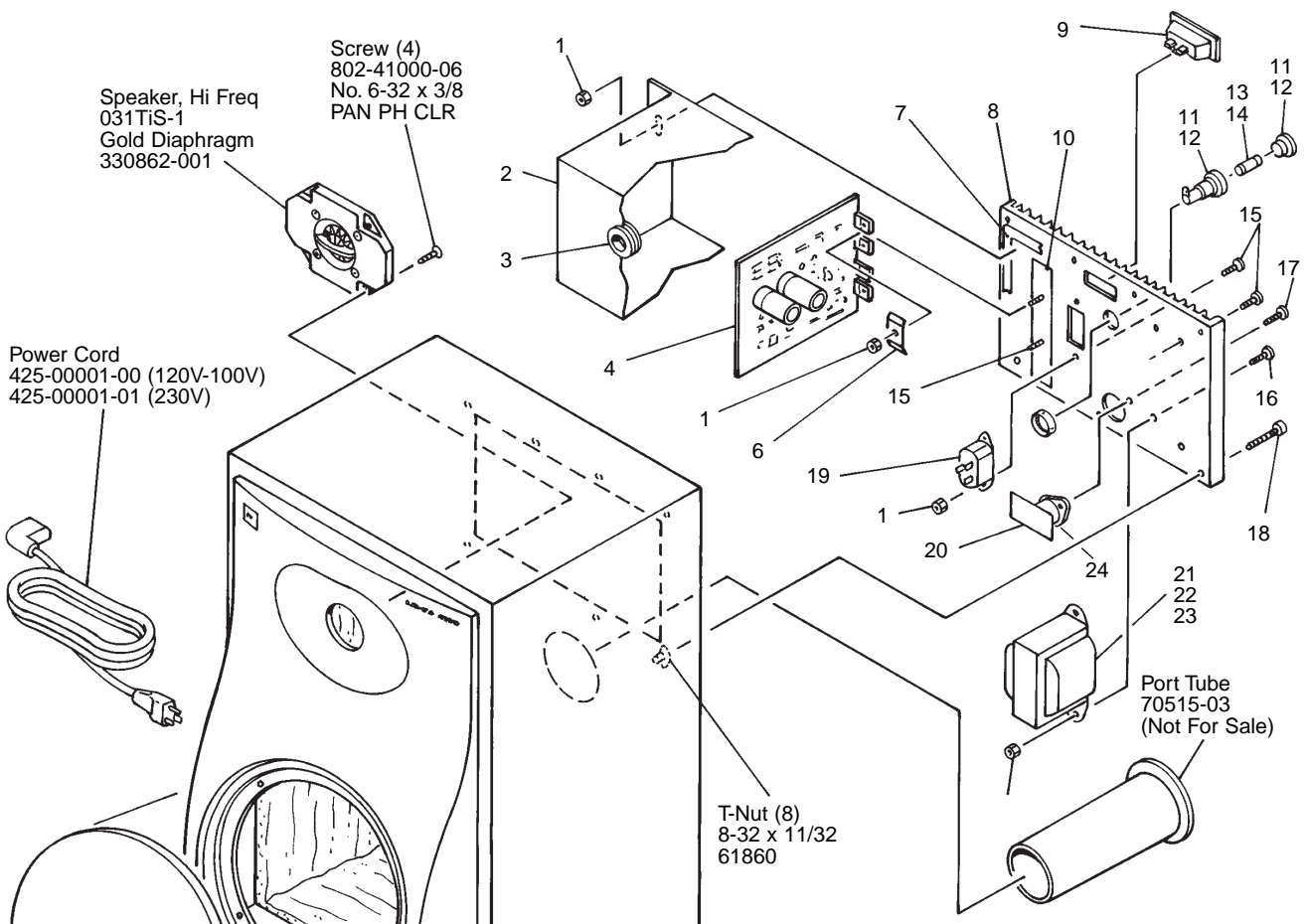


## WIRING DIAGRAM



# JBL 6208

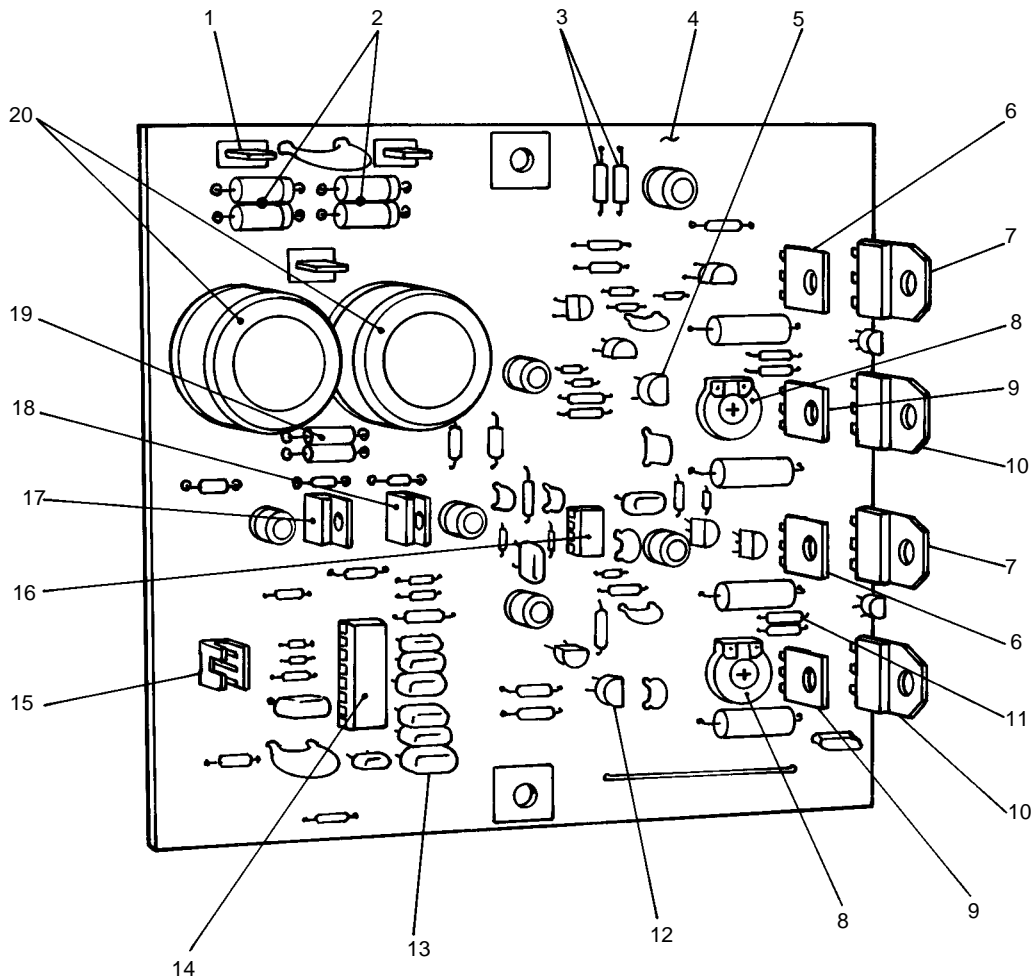
## COMPONENT EXPLODED VIEW



### POWER AMPLIFIER

-	140-00006-00	M/I 6208/120
-	140-00006-01	M/I 6208/230
-	140-00006-02	M/I 6208/100
-	160-00001-10	Power Amp/120
-	160-00001-11	Power Amp/230
-	160-00001-12	Power Amp/100
1	800-36000-00	Nut, 4-40 (8)
2	260-00000-00	Cover Assy 126-00006-00
3	880-02102-00	Grommet
4	513-00016-00	PCB, Final
5	801-36000-00	Nut, 6-32 (2)
6	423-00004-00	Clamp (2)
7	395-00011-13	Tape, Foam
8	460-00012-00	Heatsink
9	546-00001-00	SW, Power
10	472-00002-00	Insulator
11	452-00001-00	Fuse Holder, 3AG
12	452-00002-00	Fuse Holder, 5 x 2mm
13	453-53302-00	Fuse, 3A, 3AG
14	453-13152-00	Fuse, 1.5A, 5 x 20mm
15	701-41110-10	Screw, 4-40 x 5/8 BLK (8)
16	702-41010-08	Screw, 6-32 x 1/2 BLK (2)
17	701-41810-10	Screw, 3mm x 10mm (2)
18	703-41010-10	Screw, No. 8-32 x 1 OVHD PH (8)
19	424-00079-00	CON, Power
20	513-00018-01	PCA-Signal Input
21	562-00017-00	X-Former, 120V
22	562-00018-00	X-Former, 230V
23	562-00019-00	X-Former, 100V
24	424-00080-00	XLR 1/4" Jack

## CIRCUIT BOARD



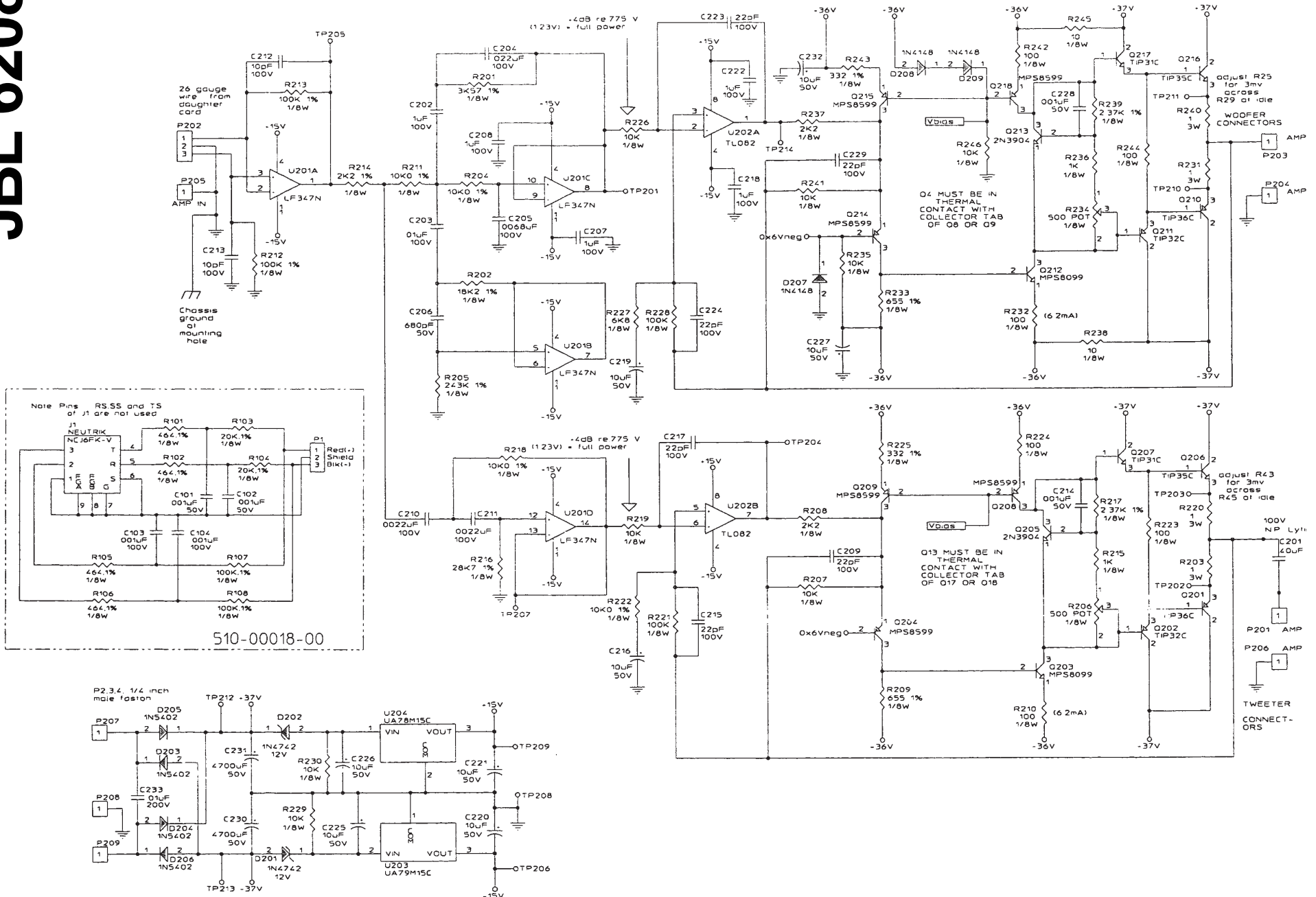
## COMPONENT PARTS LIST

ITEM NO.	QTY.	PART NO.	DESCRIPTION
1	3	560 00000 00	CONN, FASTON, 0.25
2	4	676 00009 00	SEMI, DIODE, RECT, 200V, 3A, 1N5402, 267-02
3	3	675 00000 00	SEMI, DIODE, SIG, 75V, 200mA, 1N4148, DO-35
4	1	510 00016 02	PCB, RAW, 6208, Main Board
5	2	680 00013 00	SEMI, X-ISTOR, NPN, SIG, MPS8099, TO-92
6	2	680 00014 00	SEMI, X-ISTOR, NPN, Sig, TIP31C, TO-220
7	2	680 00016 00	SEMI, X-ISTOR, NPN, SIG, TIP35C, TO-218AC
8	2	660 00025 00	POT, 500 OHM, 1/8W
9	2	680 00015 00	SEMI, X-ISTOR, PNP, SIG, TIP32C, TO-220
10	2	680 00017 00	SEMI, X-ISTOR, PNP, SIG, TIP36C, TO-218AC

ITEM NO.	QTY.	PART NO.	DESCRIPTION
11	6	606 05102 50	CAP, FILM, 50V, .0010μF, 5%, RADIAL*
12	6	680 00011 00	SEMI, X-ISTOR, PNP, SIG, MPS8599, TO-92
13	5	608 08104 50	CAP, SMFILM, 100V, .10μF, 5%, RADIAL
14	1	684 00022 00	SEMI, IC-ANA, LF347N, DIP14
15	1	424 00081 00	HDR, 3X1, Polarized
16	1	684 00023 00	SEMI, IC-ANA, TL082CP, DIP8
17	1	684 00018 00	SEMI, IC-ANA, NJM7915FA, -5V REG, ISOL, TO220F
18	1	684 00021 00	SEMI, IC-ANA, NJM7815FA, +15V REG, ISOL, TO220F
19	2	677 00057 00	SEMI, DIODE, ZENER, 12V, 1W, 1N4742A, DO-41
20	2	604 05568 60	CAPELEC, LARGE, 85C, 50V, 4700μF, 20%

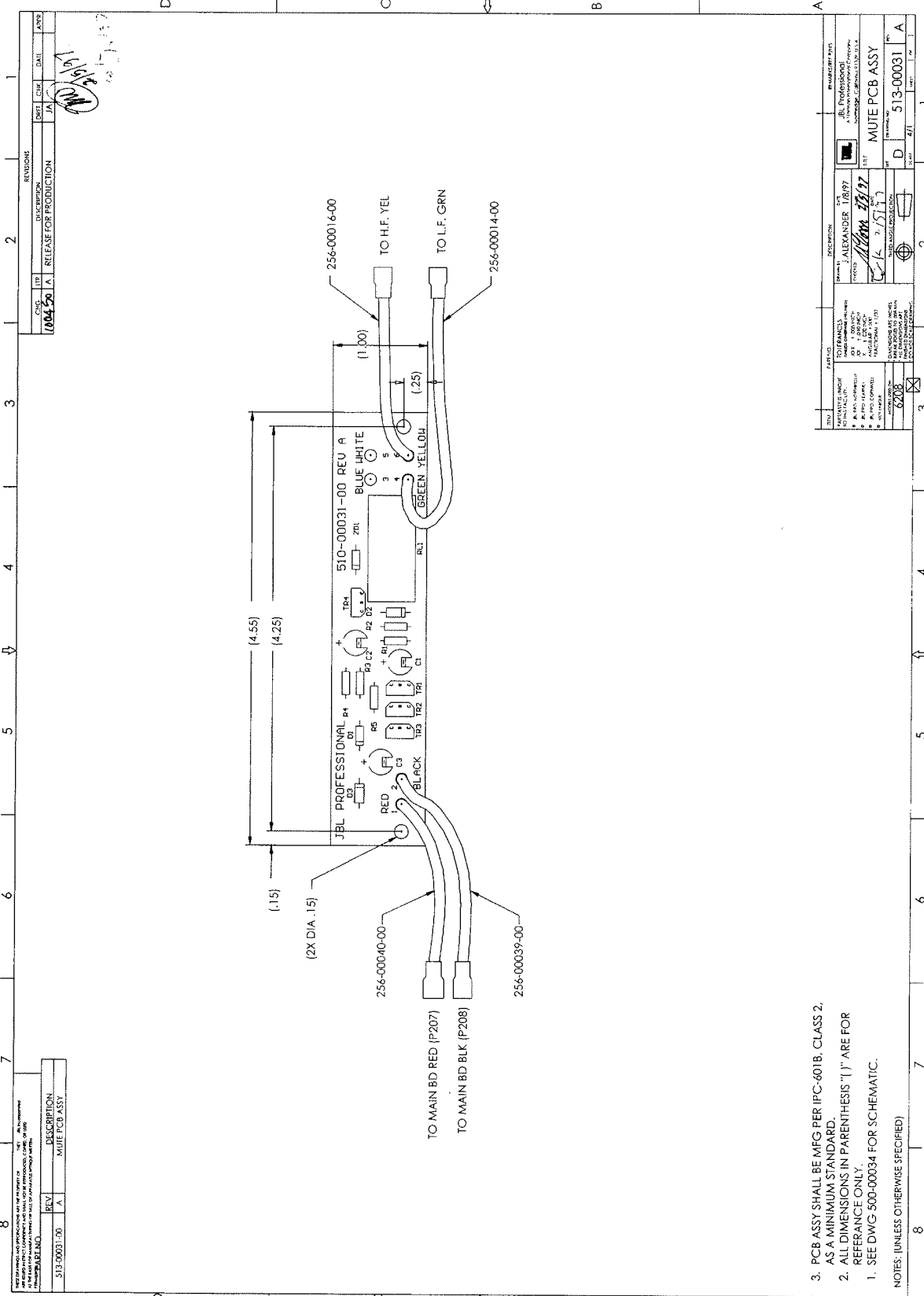
\*Note: 50V or 100V part may be used.

# JBL 6208



POWER AMPLIFIER SCHEMATIC

UNCONTROLLED COPY



REV	DATE	DESCRIPTION	BY	CHK	APP
1	1/16/82	RELEASE FOR PRODUCTION	J.A.		

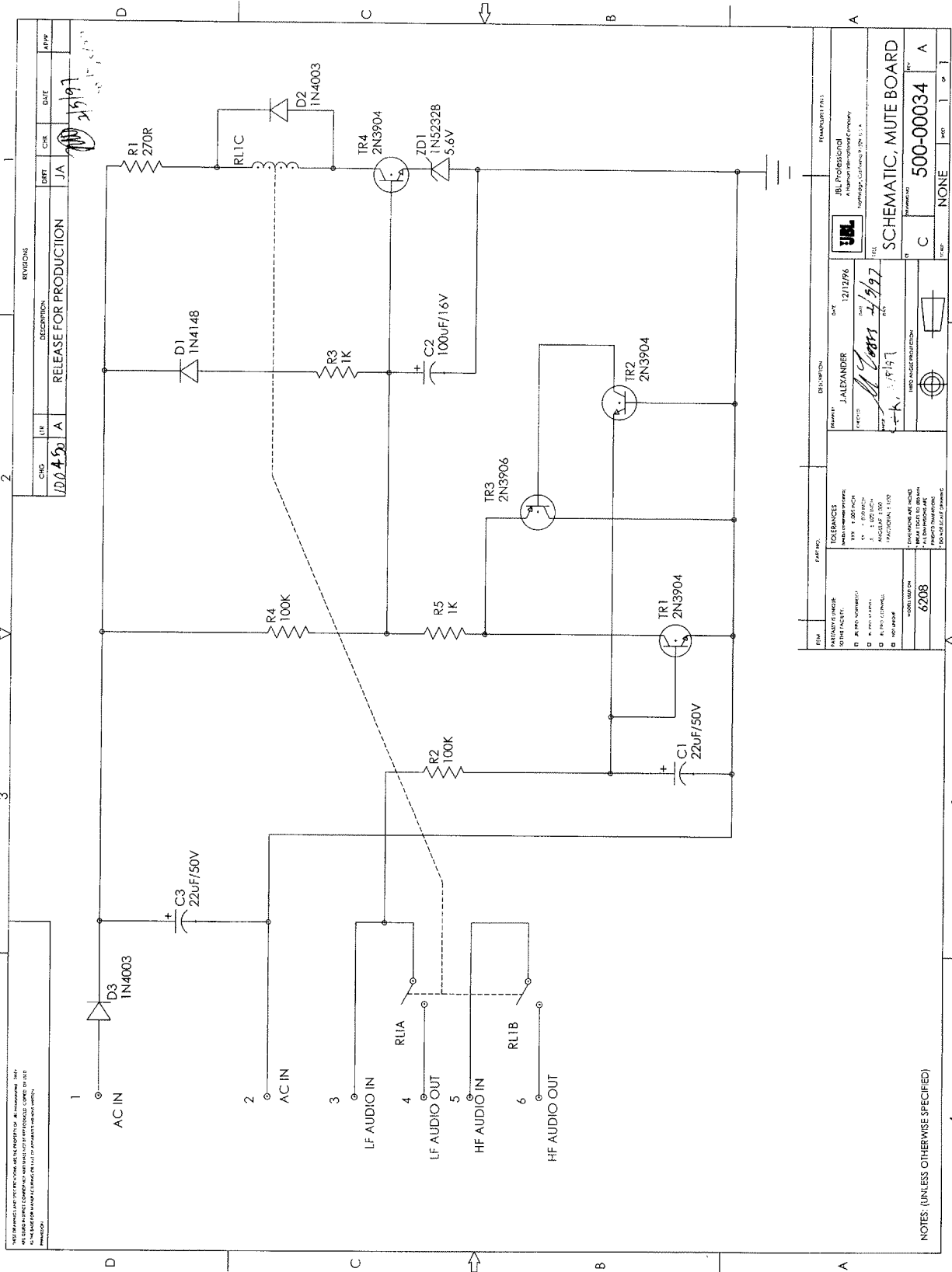
REV	DATE	DESCRIPTION
1	1/16/82	MUTE PCB ASSY

NO.	DATE	DESCRIPTION	BY	CHK	APP
1	1/16/82	RELEASE FOR PRODUCTION	J.A.		

NO.	DATE	DESCRIPTION	BY	CHK	APP
1	1/16/82	MUTE PCB ASSY	J.A.		

3. PCB ASSY SHALL BE MFG PER IFC-601B, CLASS 2, AS A MINIMUM STANDARD.  
 2. ALL DIMENSIONS IN PARENTHESIS "( ) " ARE FOR REFERENCE ONLY.  
 1. SEE DWG 500-00034 FOR SCHEMATIC.  
 NOTES: (UNLESS OTHERWISE SPECIFIED)

UNCONTROLLED COPY



REVISIONS			
CHG	REV	DESCRIPTION	DATE
1	A	RELEASE FOR PRODUCTION	2/19/77

DATE	12/17/76	DESIGNER	J. ALEXANDER
PREPARED BY	J. ALEXANDER	CHECKED	J. ALEXANDER
DESIGNED BY	J. ALEXANDER	DATE	4/9/77
APPROVED BY	J. ALEXANDER	REV	0
PROJECT NO.	6208	TITLE	SCHEMATIC, MUTE BOARD
QUANTITY	1	REVISIONS	1
ASSEMBLY	1	ISSUED	1
TEST	1	DATE	2/19/77
REVISIONS	1	DESCRIPTION	
1	C	500-00034	A

NOTES: (UNLESS OTHERWISE SPECIFIED)