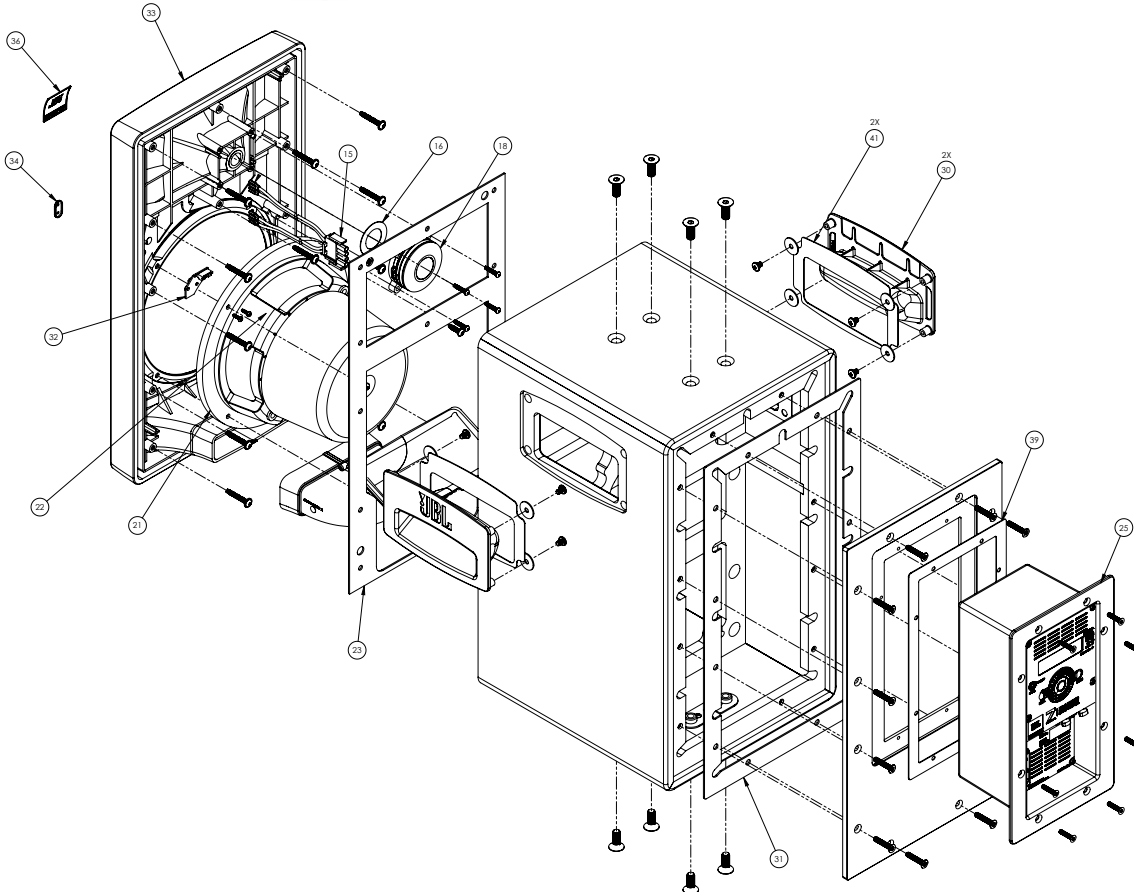


8" Bi-Amplified Master Reference Monitor



708P Spare Parts List

Ref ID	P/N	Description	Qty.
15	5069667	LF/HF WIRE HARNESS, LSR708P	1
16	5050087	GASKET, HF DRIVER, LSR7XX	1
18	5043243X	M/I, 2409H HF	1
21	5047951X	M/I, 728G LF	1
22	5069653	LED WIRE HARNESS, LSR708P	1
23	5072214	FRONT PANEL GASKET, LSR708P	1
25	5122836-00	MECHASY,AMPLIFIER, PROGRAMMED 708P	1
30	5067184	HANDLE, LSR708P	2
31	5075060	HATCH GASKET, LSR708P	1
32	5071570	LED ASSEMBLY, LSR705P/708P	1
33	5078157	LED BAFFLE GRILLE ASSEMBLY, LSR708X	1
34	5078111	LED COVER, LSR70XP	1
36	5081137	JBL LOGO, LSR708P	1
39	5075062	AMP GASKET, LSR708P	1
41	351822-001	GASKET, HANDLE LSR6328P	2
	5081698	125V POWER CORD, LSR7 SERIES	1
	5081699	250V, POWER CORD, LSR7 SERIES	1



8" Bi-Amplified Master Reference Monitor

Amplifier Spare Parts List			
Ref ID	P/N	Description	Qty
1	5138109-00	CON,PWR,IEC C14,SW,PNL MNT	1
2	5138108-00	OPTO,DSPL,LCD,128x32,LED,WHT	1
3	5138071-00	PCB,ASY,TST,INPUT2,LSR700P	1
4	5138072-00	PCB,ASY,TST,INPUT1,LSR700P	1
5	5138073-00	PCB,ASY,TST,INPUT3,LSR700P	1
6	5138074-00	PCB,ASY,TST,MPU,LSR700P	1
7	5138075-00	PCB,ASY,TST,DSP,LSR700P	1
8	5138076-00	PCB,ASY,TST,MAIN,LSR700P	1
9	5138077-00	HDW,SCRN,WINDOW,LCD,LSR700P	1
10	5138078-00	HDW,BRKT,LCD,LSR700P	1
11	5138079-00	HDW,KNOB,DIAL,KEY,LSR700P	1
12	5138080-00	HDW,SWCAP,DIAL,KEY,LSR700P	1
13	5138081-00	LBL,PRNT,OVLY,TOP,LSR700P	1
14	5138082-00	LBL,PRNT,OVLY,BOTTOM,LSR700P	1
15	5138083-00	HDW,GSKT,SH,DIAL,LSR700P	1

