

Technical Manual

JBL 8350

SPECIFICATIONS



ACOUSTIC & ELECTRICAL SPECIFICATIONS:

- Nominal Impedance: 8 ohms
- Power Rating: 350W Continuous Pink Noise
1400W Peak
- Frequency Response: 75 Hz - 17 kHz (± 3 dB)
- Frequency Range: 60 Hz - 19 kHz (-10 dB)
- Maximum Peak SPL: 130 dB/1m
- Sensitivity: 99 dB-SPL half-space / wall-mounted
97 dB-SPL free-field
2.83V @ 1 Meter
- Crossover Frequency: 1.4 kHz

SYSTEM COMPONENTS:

- Enclosure: (Not For Sale)
- Grille: 128-00413-00
- Low Frequency Transducer: JBL M110-8, 250mm (10 in.)
64 mm (2.5) voice coil
- DC Resistance: 5 ohm $\pm 10\%$

- High Frequency Transducer: 25mm (1in.) exit
38 mm (1.5 in) voice coil (2408H-1)
- DC Resistance: 6.2 ohms $\pm 5\%$

SYSTEM COMPONENTS: (Cont'd)

- Crossover Network: 365584-001

AURAL SWEEP TEST SPECIFICATIONS:

- A. System Aural Sweep Test: 7.0V Input, 20 Hz to 20 kHz
- B. L.F. Aural Sweep Test: 10.0V Input, 10 Hz to 1 kHz
- C. H.F. Aural Sweep Test: 1V Input, 1 kHz to 10 kHz

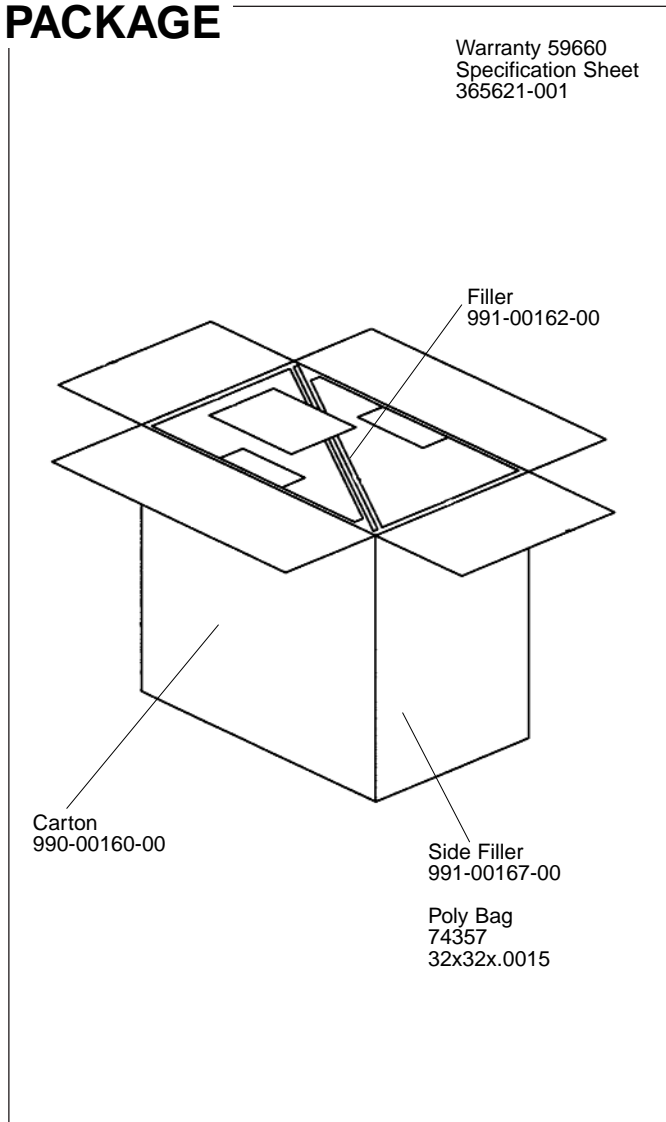
PHYSICAL SPECIFICATIONS:

- Enclosure Dimensions: 457mm x 457mm x 260mm D
(18.0 x 18.0 x 10.25 in. D)
- Shipping Weight: 21 lbs. (9.5 kg)

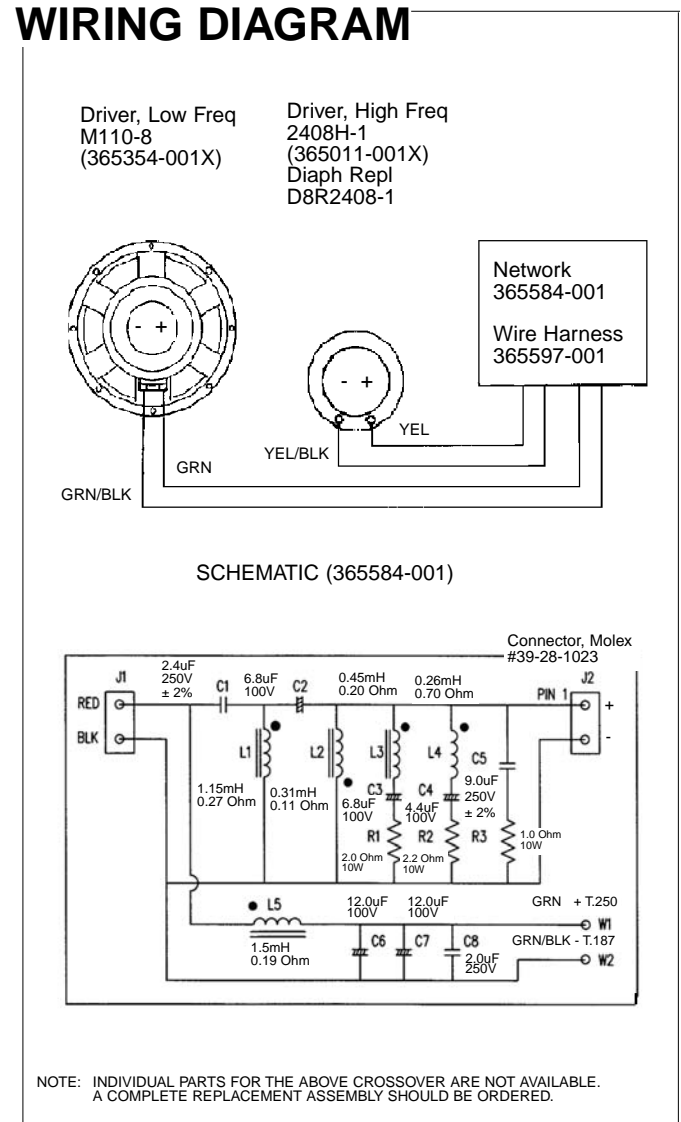
WARRANTY INFORMATION:

- Refer to Warranty Statement packed with each product.

PACKAGE



WIRING DIAGRAM



JBL 8350

COMPONENT EXPLODED VIEW

