

Technical Manual



JBL C25AV-LS/WH

SPECIFICATIONS

ACOUSTIC & ELECTRICAL SPECIFICATIONS:

- Nominal Impedance: 8 Ohms (in by pass)
- Power Capacity: 200W Continuous Program Power
100W Continuous Pink Noise
- Frequency Range: 90 Hz to 20 kHz (-10 dB)
- Rated Maximum SPL: 107 dB @ 1m (3.3ft) average
113 dB peak
- Nominal Sensitivity: 87 dB SPL, 1W @ 1m
- Crossover Frequency: 3.1 kHz

SYSTEM COMPONENTS:

- Cabinet: Not For Sale
- Grille: 443333-001, 443333-002 (WH)
- Low Frequency: 130mm (5.25 in.) with polypropylene coated cone with WeatherEdge surround, 25 mm (1 in) voicecoil on kapton former (442263-001)
- DC Resistance: 5.6 ohm ±5% Copper Wire

SYSTEM COMPONENTS: (cont'd)

- High Frequency Driver: 20mm (.75) titanium coated PEI (123-00002-00)
- DC Resistance: 6.5 ohm ±5% Copper Wire
- Crossover Network: 442262-001
- Transformer Taps: 60W 30W, 15W, (&7.5W @ 70V)

AURAL SWEEP TEST SPECIFICATIONS:

- A. System Aural Sweep Test: 7.0V Input, 20 Hz to 22 kHz
- B. L.F. Aural Sweep Test: 7.0V Input, 20 Hz to 1.2 kHz
- C. H.F. Aural Sweep Test: 2.83V Input, 2 kHz to 22 kHz

PHYSICAL SPECIFICATIONS:

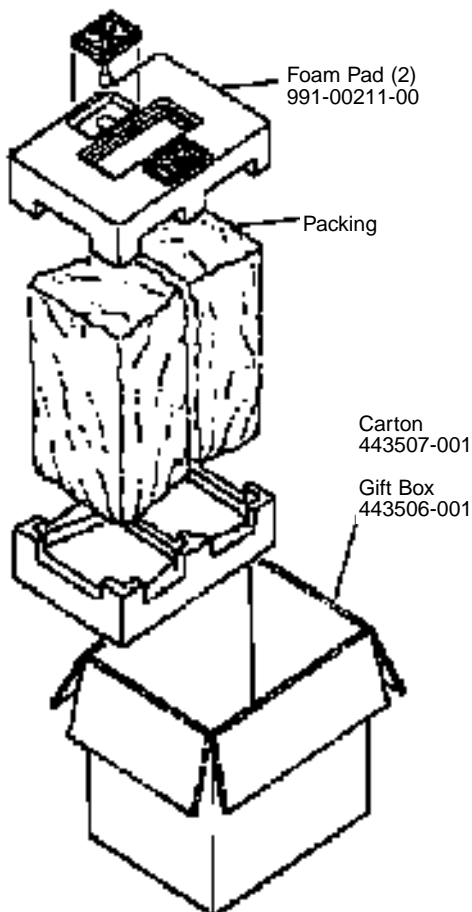
- Enclosure Dimensions: 236mm x 186mm x 159mm D (9.3 x 7.4 x 6.3 in. D)
- Shipping Weight: 19 lb. (8.6 kg.) (pair)
(Net Weight 8.4 lb ea, 3.8 kg ea.)

WARRANTY INFORMATION:

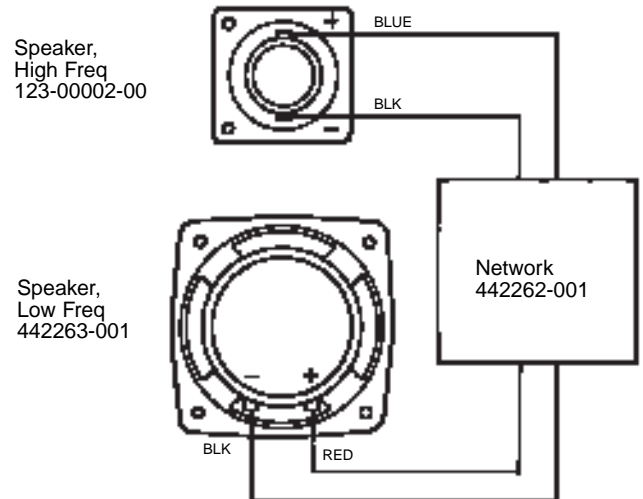
- Refer to Warranty Statement packed with each product.

PACKAGE

Warranty 59660



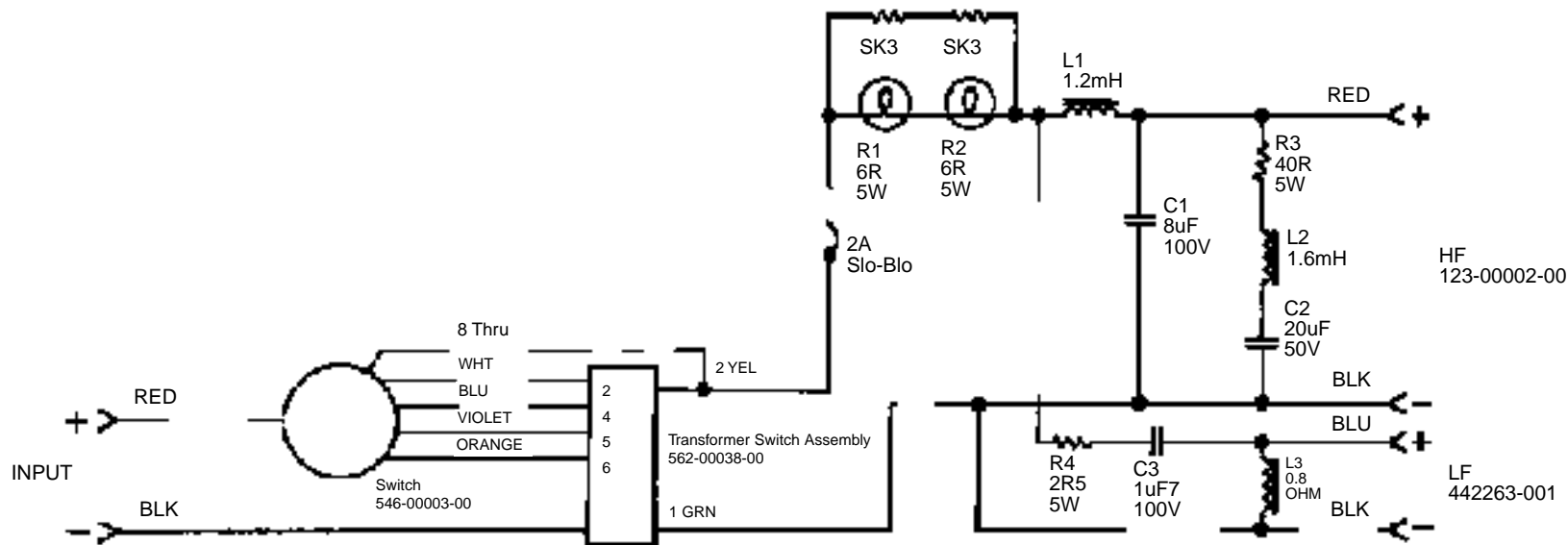
WIRING DIAGRAM



SCHEMATIC 442262-001 - SEE PAGE 2

JBL C25AV-LS/WH

SCHEMATIC (442262-001)

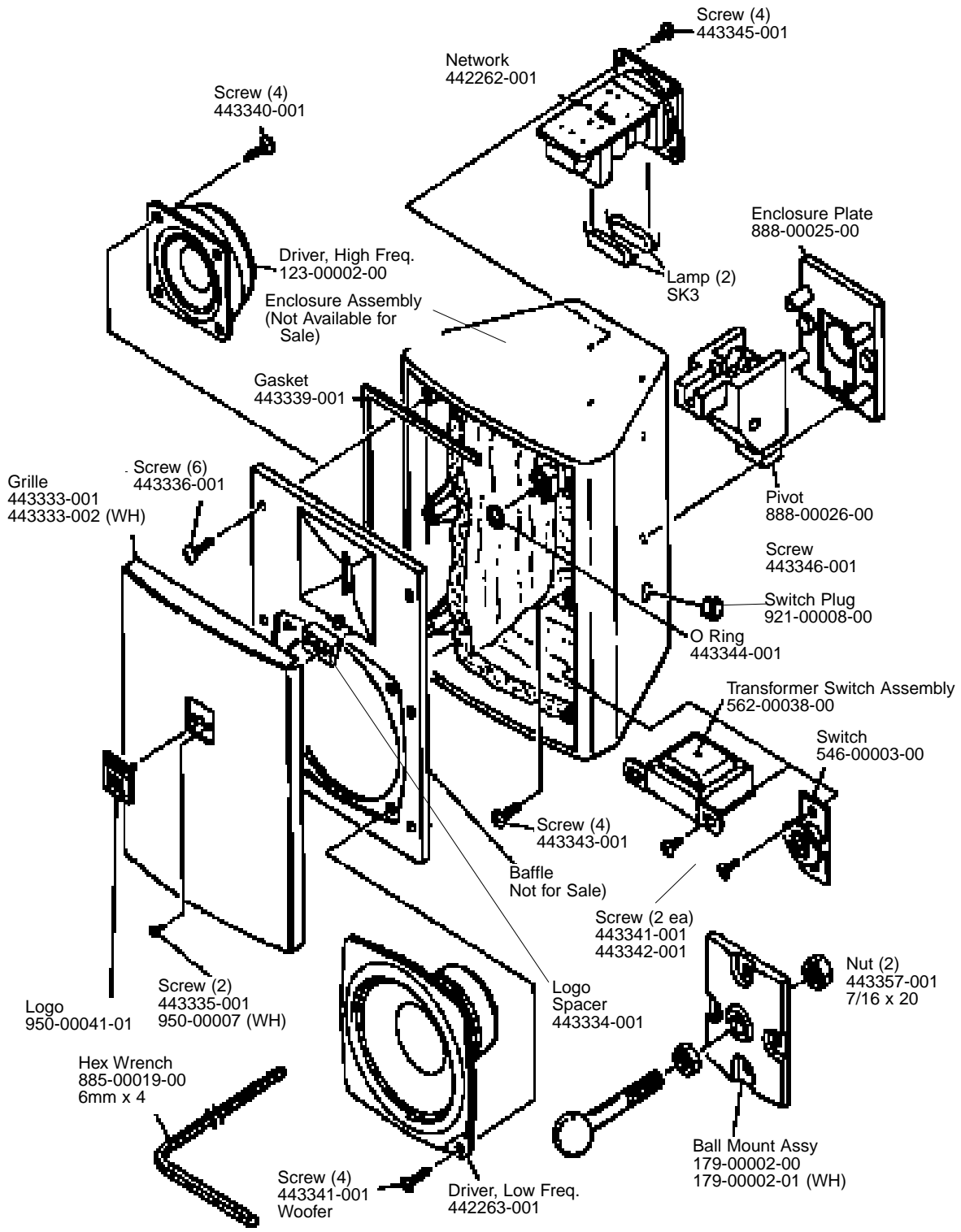


NOTE: INDIVIDUAL PARTS FOR THE ABOVE CROSSOVER ARE NOT AVAILABLE
A COMPLETE REPLACEMENT ASSEMBLY SHOULD BE ORDERED.
SK3 LAMP IS AVAILABLE SEPARATELY.

JBL C25AV-LS/WH

JBL C25AV-LS/WH

COMPONENT EXPLODED VIEW



Hardware Kit
179-00005-00

JBL C25AV-LS/WH