

Technical Manual

CSS-H30

SPECIFICATIONS



ACOUSTIC & ELECTRICAL SPECIFICATIONS:

- Frequency Range (-10 dB): 380 Hz – 6 kHz
- High Pass Filter: Passive 350 Hz high pass filter built in to protect against damage from frequencies below operational range.
- Rated Maximum SPL @ 1 m: 123 dB cont. ave. (129 dB peak). 1 kHz – 6 kHz; 127 dB cont. ave. (133 dB peak), 1.4 kHz, 30 W input.
- Rated Impedance: 30W/70V, NC/100V tap: 167 ohms 15W/70V, 30W/100V tap: 333 ohms; 7.5W/70V, 15W/100V tap: 667 ohms; 3.8W/70V, 7.5W/100V tap: 1333 ohms; 1.9W/70V, 3.8W/100V tap: 2666 ohms 8 ohms at 8 ohm direct setting. 30 W (120 W peak), 100 hrs.
- System Power rating: 30 W (120 W peak), 100 hrs.
- Transformer Taps: 70V:30W,15W,7.5W&3.8W,1.9W 100V:30W,15W,7.5W,3.8W

SYSTEM COMPONENTS:

- Mounting Hardware: Stainless steel powder-coated U-bracket (yolk) with 3X10.4mm (0.41 in) dia. mounting holes, stainless steel exterior hardware.
- Driver: 38mm (1.5 in) diameter with phenolic diaphragm.

AURAL SWEEP TEST SPECIFICATIONS:

A. System Aural Sweep Test: 2 V Input, 300 Hz to 10 kHz

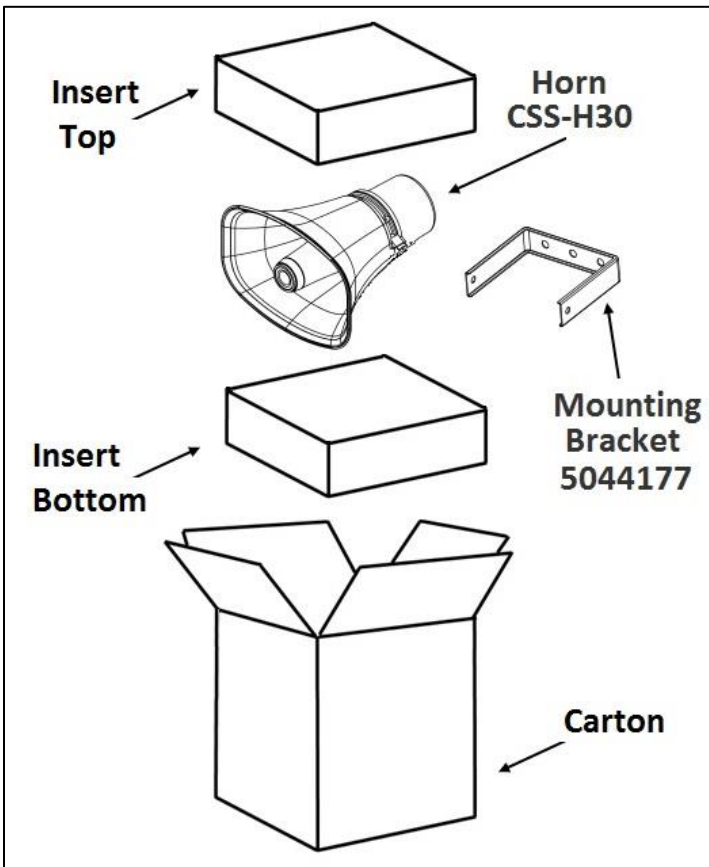
PHYSICAL SPECIFICATIONS:

- Dimensions: 206 x 285 x 287 mm (8.2 x 11.2 x 11.3 in) horn
224 x 285 x 287 mm (8.9 x 11.2 x 11.3 in) including mounting bracket. Depth excludes cable exit.
- Net Weight: 2.00 kg (4.5 lb).

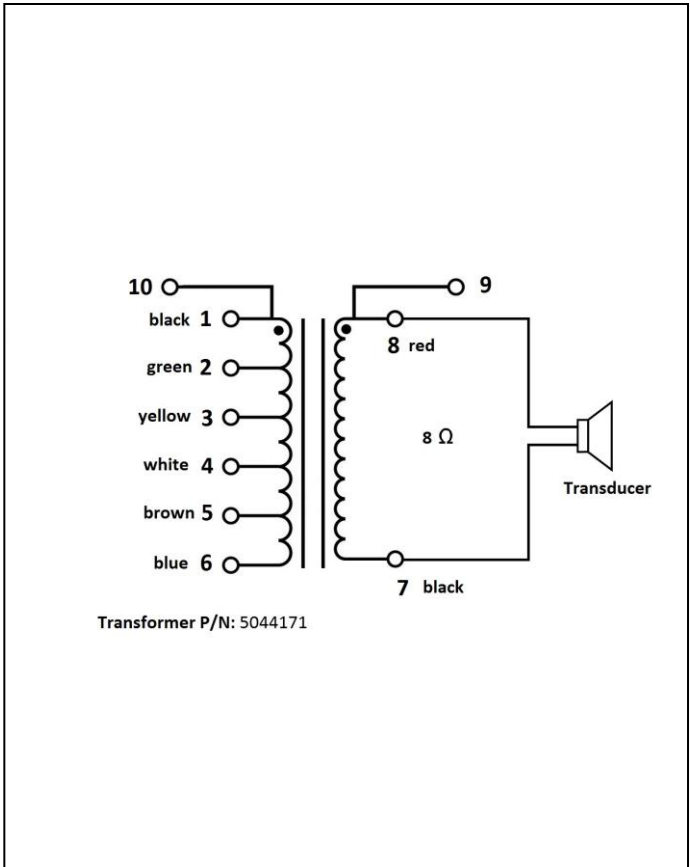
WARRANTY INFORMATION:

- Refer to Warranty Statement packed with each product.

PACKAGING:

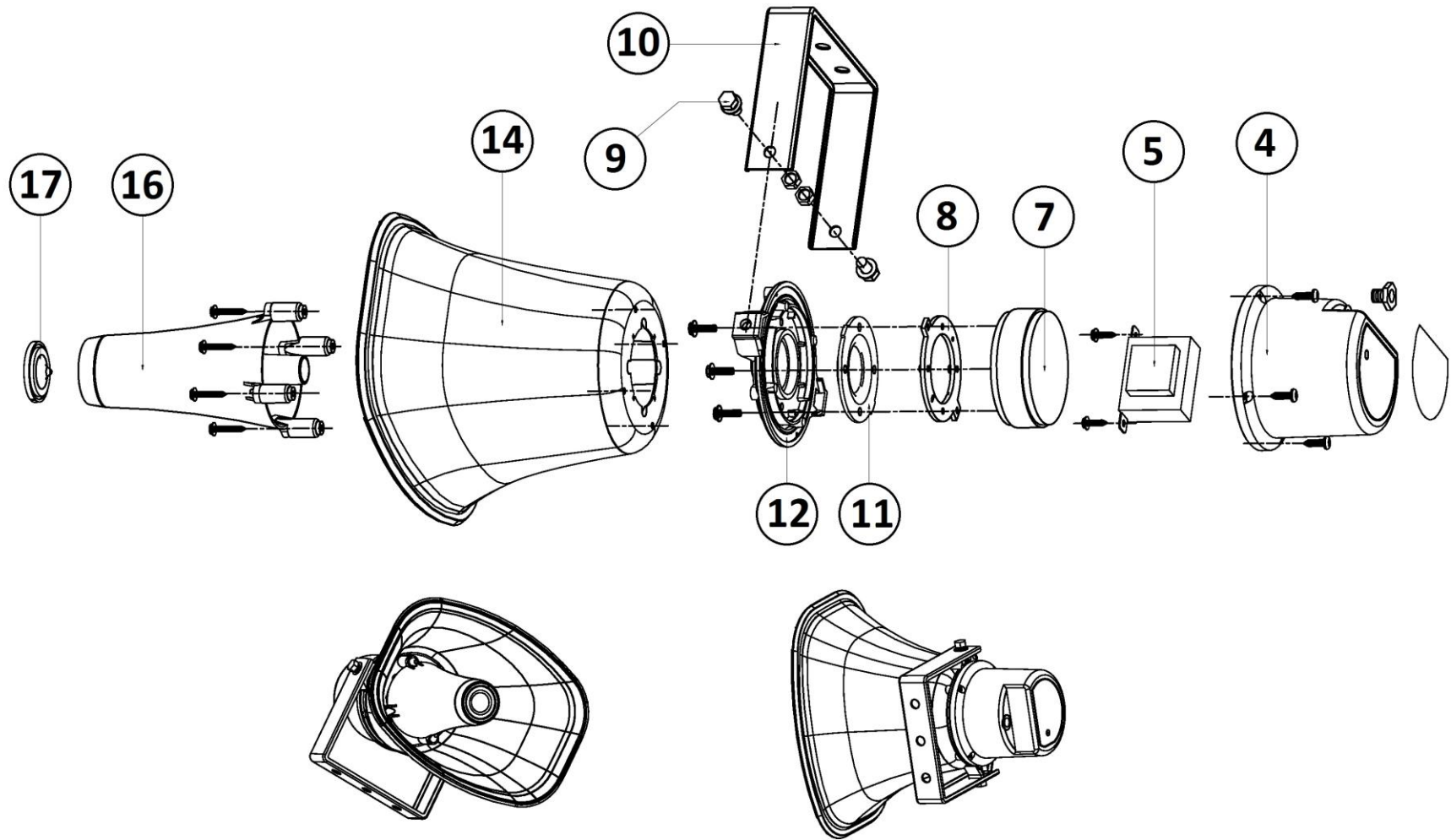


WIRING DIAGRAM:



CSS-H30

COMPONENT PARTS LIST:



Item	Part Number	Description	Qty.
4	5044168	ENCL, BACK HOUSING, H30	1
5	5044171	XFMR, TRANSFORMER, H30	1
7	5044173	MAGNET, H30	1
8	5044175	HDWR, FIX PLATE, H30	1
9	5044159	FSTNR, SCRW, M8X16, HEX	2
10	5044177	HDWR, BRACKET, H30	1

Item	Part Number	Description	Qty.
11	5044179	HDWR, PHASE A PLUG, H30	1
12	5044180	HDWR, STENTS GLAND, H30	1
14	5044182	ENCL, FRONT HOUSING, H30	1
16	5044183	SPKSYS, HORN, H30	1
17	5044184	SPKSYS, HORN COVER, H30	1