

Technical Manual

JBL Control 128W/T



PROFESSIONAL

SPECIFICATIONS

ACOUSTIC & ELECTRICAL SPECIFICATIONS:

- Nominal Impedance: 8 ohms
- Power Capacity: 240 Watts Peak
120* Watts Continuous Program
60 Watts Continuous Pink Noise
- Frequency Response: 30 Hz – 20 kHz (–10 dB)
- System Sensitivity: Passive Mode 90 dB SPL (2.83V @ 1 meter)
- Crossover Freq.: 2,500 Hz

SYSTEM COMPONENTS:

- Cabinet: (Not For Sale)
- Grille: 353952-001
- Low Frequency Transducer: 200 mm (8 in) polymer-coated aluminum cone, pure butyl rubber surround
- DC Resistance: 5.7 ohms ±10%
- High Frequency Transducer: 25 mm (1 in) pure titanium dome with cloth suspension on low-diffraction swivel-mount with -10 degree aimability.
- DC Resistance: 5.5 ohms ± 10%
- Crossover Network 353967-001

AURAL SWEEP TEST SPECIFICATIONS:

- System Aural Sweep Test: 6.0V Input 30 Hz to 20 kHz
- L.F. Aural Sweep Test: 5.0V Input, 30 Hz to 3 kHz
- H.F. Aural Sweep Test: 2.83V Input, 2 kHz to 20 kHz

PHYSICAL SPECIFICATIONS:

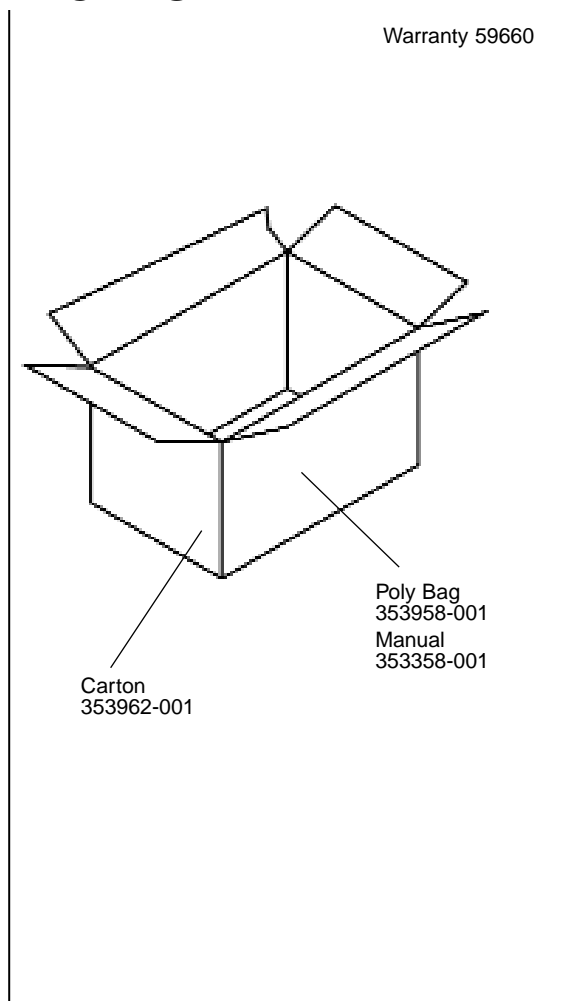
- Enclosure Dimensions: 334 mm x 257 mm x 110 mm D
(113.1 in. x 10.1 in. x 4.3 in. D)
102 mm (4 in) front of wall to back of speaker
- Net Weight (ea): 5.5 lbs. (2.6 kg.) Sold in Pairs

WARRANTY INFORMATION:

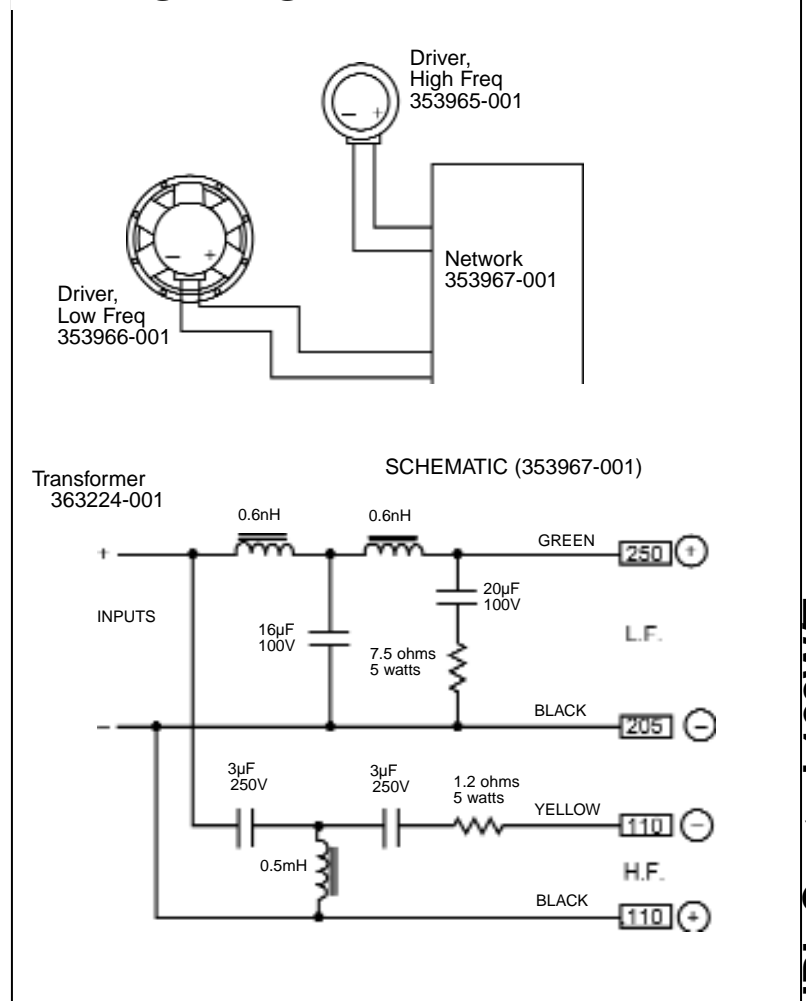
- Refer to Warranty Statement packed with each product.

* The maximum recommended amplifier power rating will ensure proper system headroom to allow for occasional peaks. We do not recommend sustained operation at these maximum power levels.

PACKAGE



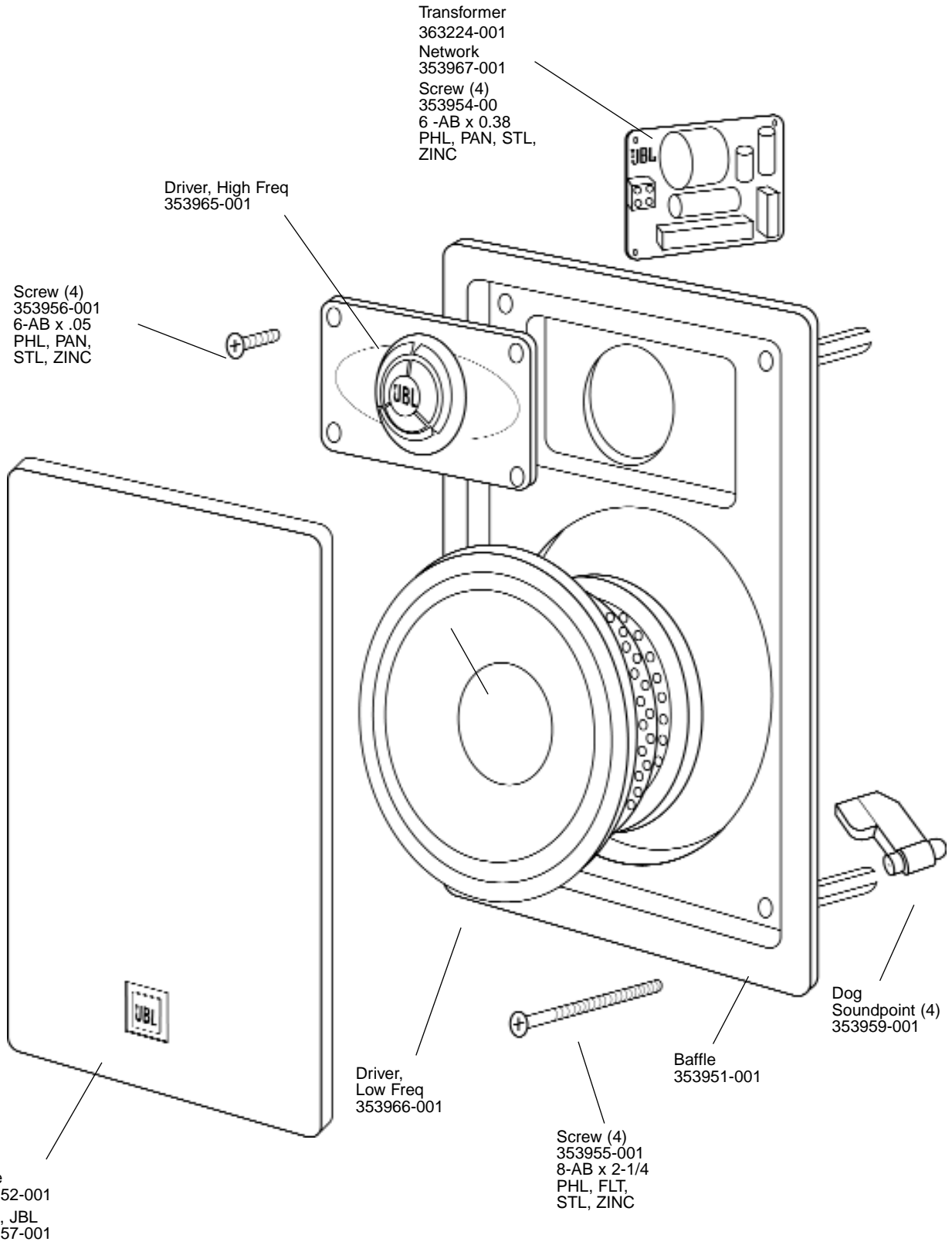
WIRING DIAGRAM



JBL Control 128W/T REV

JBL Control 128W/T

COMPONENT EXPLODED VIEW



JBL Control 128W/T