

Technical Manual

JBL CONTROL 18ST/WH

SPECIFICATIONS



ACOUSTIC & ELECTRICAL SPECIFICATIONS:

- Nominal Impedance: 8 ohm
- Power Capacity: 200W Continuous Program
100W Continuous Pink Noise
- Frequency Range: 46 Hz – 180 Hz (-10 dB)

SYSTEM COMPONENTS:

- Cabinet: Not For Sale
- Grille: 128-00173-60
- Low Frequency Transducer: 200mm (8 in.) Polypropylene Cone Transducer (124-58003-00)
- DC Resistance: 5.3 ohm ±5% Copper Wire
- Tap Settings:
 - 100V Line: Tap 1 = 15W, Tap 2 = 30W
Tap 3 = 60W, Tap 4 is not used
 - 70V Line: Tap 1 = 7.5W, Tap 2 = 15W
Tap 3 = 30W, Tap 4 = 60W

SYSTEM COMPONENTS: (cont'd)

- Crossover Network: 129-10035-00

AURAL SWEEP TEST SPECIFICATIONS:

- A. System Aural Sweep Test: 7.0V Input, 20 Hz to 20 kHz
- B. L.F. Aural Sweep Test: 7.0V Input, 20 Hz to 1.2 kHz

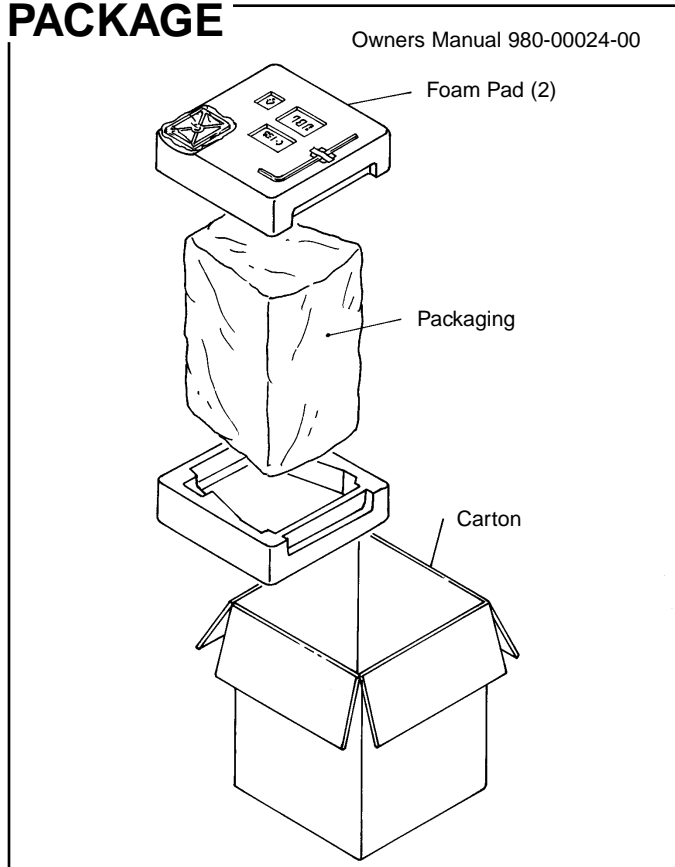
PHYSICAL SPECIFICATIONS:

- Enclosure Dimensions: 380mm x 280mm x 218mm D
(15.0 x 11.0 x 8.5 in. D)
- Weight: 16 lbs. (7.3 kg.)

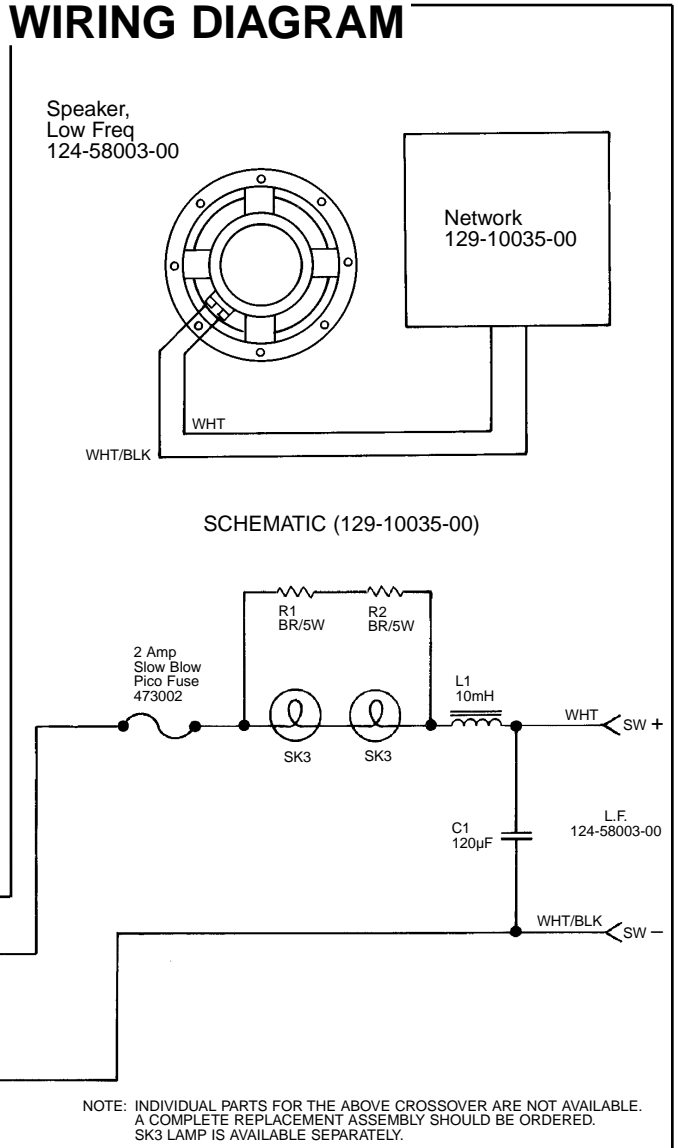
WARRANTY INFORMATION:

- Refer to Warranty Statement packed with each product.

PACKAGE



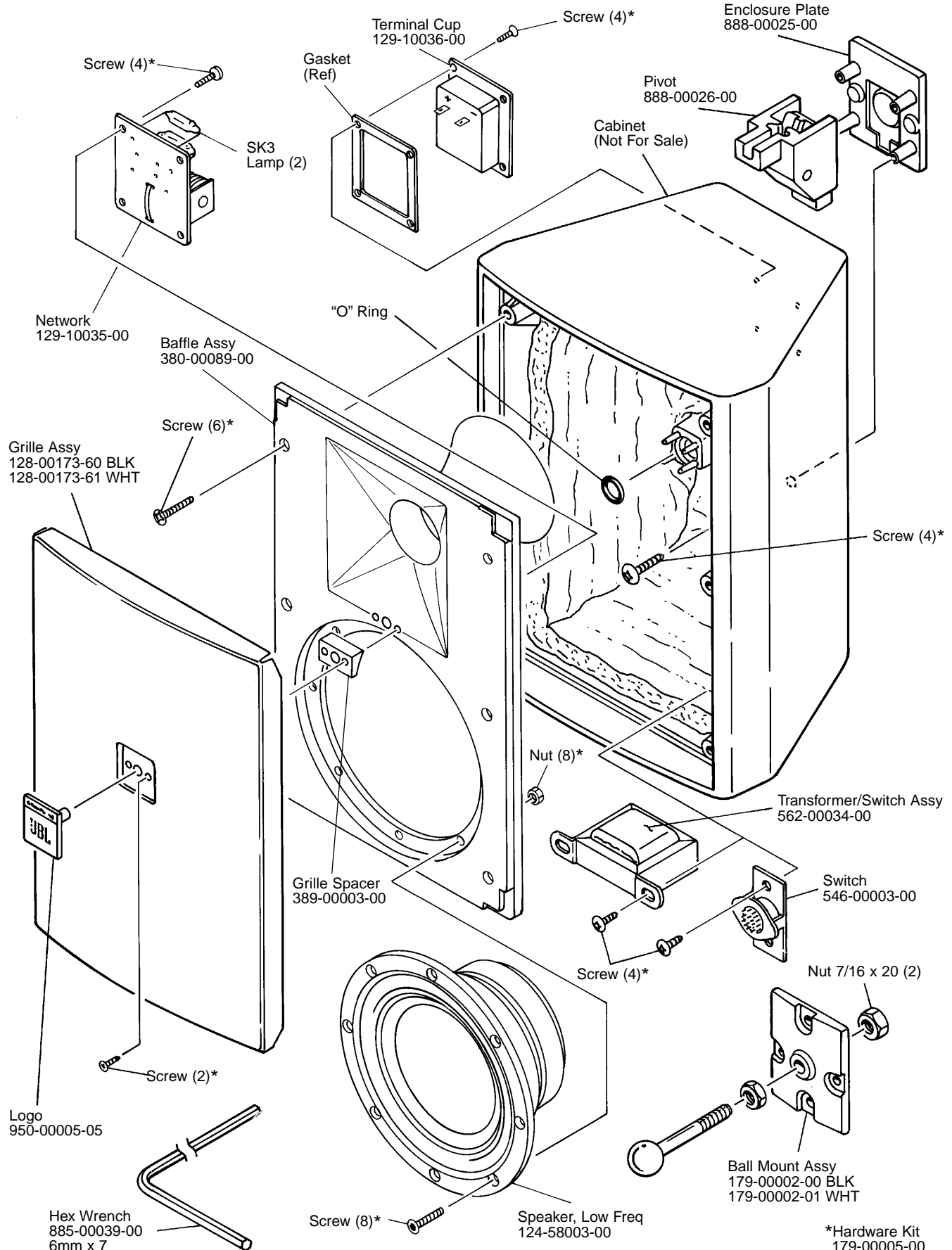
WIRING DIAGRAM



JBL CONTROL 18ST/WH REV B

JBL CONTROL 18ST/WH

COMPONENT EXPLODED VIEW



JBL CONTROL 18ST/WH