

# Technical Manual

# JBL HLA4895

## SPECIFICATIONS



### SYSTEM:

- Frequency Response ( $\pm 3$  dB): 110 Hz - 18 kHz (LF Cutoff is a Function of Array Size)
- Hor. Coverage Angle (-6 dB): 40° average, 315 Hz - 16 kHz
- Vert. Coverage Angle (-6 dB): 30° average, 315 Hz - 16 kHz
- Directivity Index (DI)/Factor (Q): 13.5/23 average, 315 Hz - 16 kHz
- Maximum Peak Output: 140 dB @ 1m
- Recommended Controller: DSC280, Multiple HLA 4895 Tunings in Memory

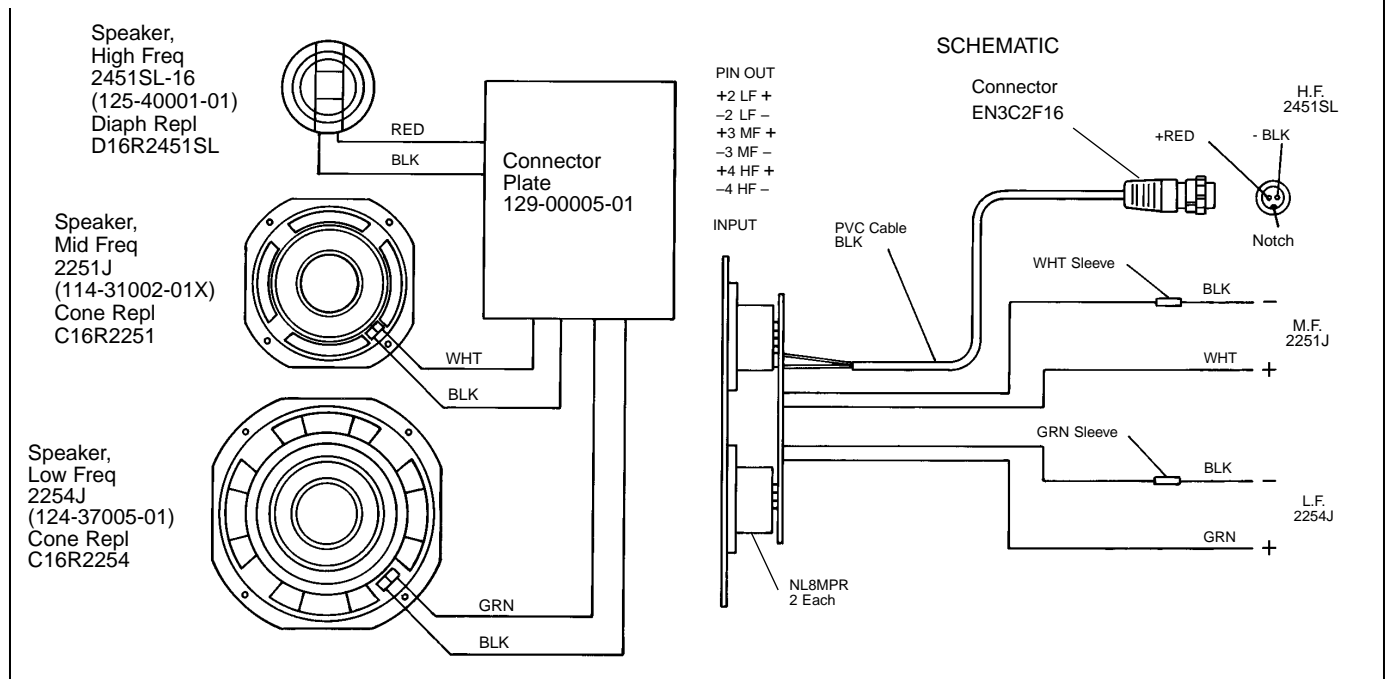
### TRANSDUCERS:

- Low Frequency: 2254J, 355mm (14 in) Dia., 76mm (3 in) DCD™ Differential Drive™, Direct Cooled™ 16 Ohms
- Nominal Impedance: 16 Ohms
- Input Power Rating: 600W, AES
- Sensitivity: 107 dB, 1W, @ 1m (3.3 ft) (In waveguide)
- Mid Frequency: 2251J, 355mm (10 in) Dia., 76mm (3 in) DCD™ Differential Drive™, Direct Cooled™ 16 Ohms
- Nominal Impedance: 16 Ohms
- Input Power Rating: 400W, AES
- Sensitivity: 107 dB, 1W, @ 1m (3.3 ft) (In waveguide)
- High Frequency: 2451SL-16: 100mm (4 in) Titanium Diaphragm and Voice Coil Dia., 38mm (1.5 in) Throat Dia. 16 Ohms
- Input Power Rating: 75W, AES
- Sensitivity: 116 dB, 1W, @ 1m (3.3 ft) (In waveguide)

### WAVEGUIDE/SPACEFRAME:

- Flying System: Trapezoidal, 15° side Angle, 6061-T6 Aluminum Aimable waveguide (Quick Locking, 15°)
- Grille: I Beam Connecting Bar, PN HLA-CB, Lifting Bar, PN HLA-LB, Wheels/Dolly, PN HLA-WHEELS
- Input Connectors: Black Perforated Steel, Foam Backed (128-00183-11)
- Dimensions (HxWxD): NL8 or Options (Two NL8MPR) 1320mm x 864mm x 914mm (52 in x 34 in x 36 in)
- Net Weight: 100 kg (220 lbs)
- Shipping Weight: 109 kg (240 lbs)

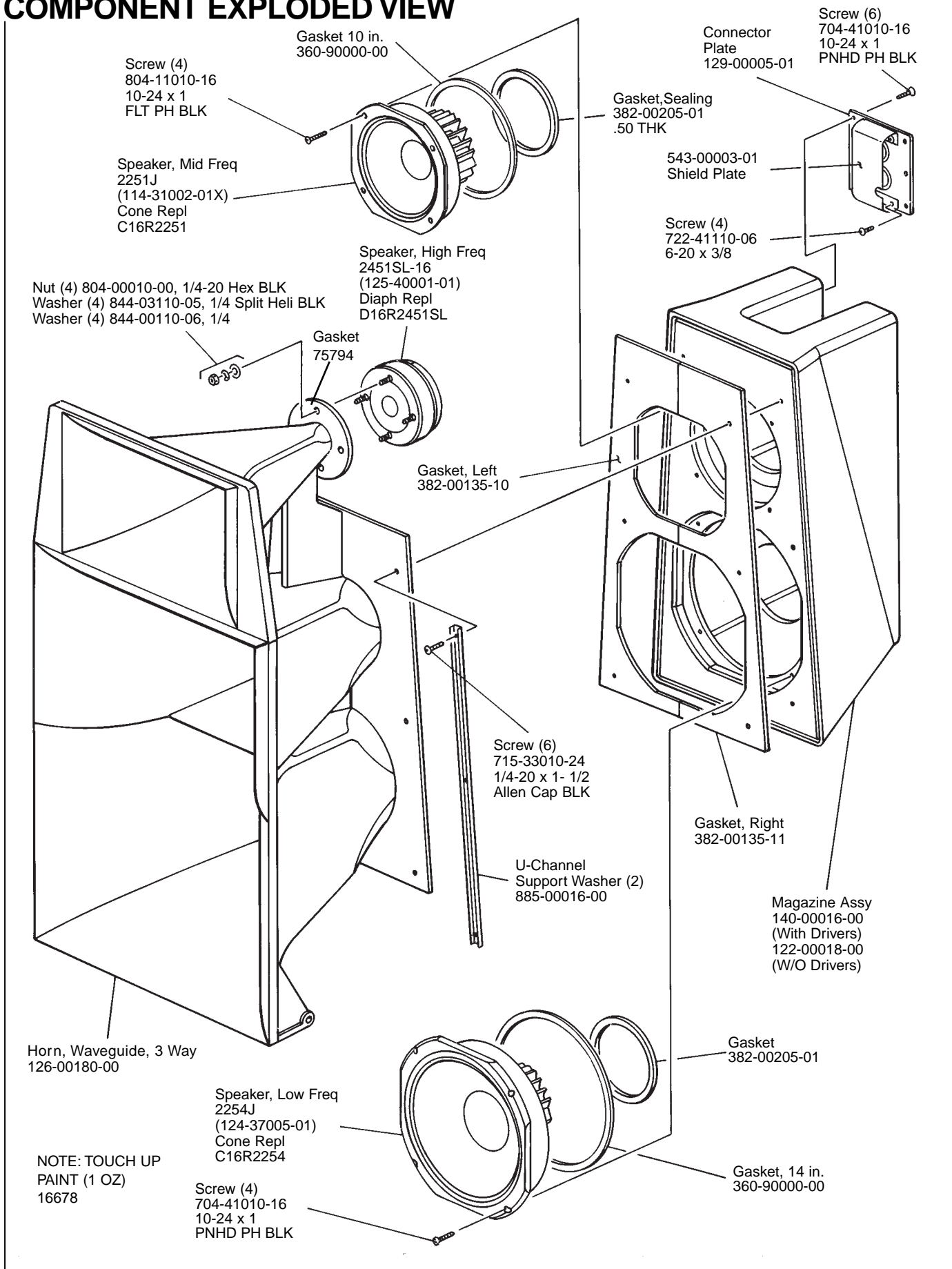
## WIRING DIAGRAM



JBL HLA4895 REV I

# JBL HLA4895

## COMPONENT EXPLODED VIEW

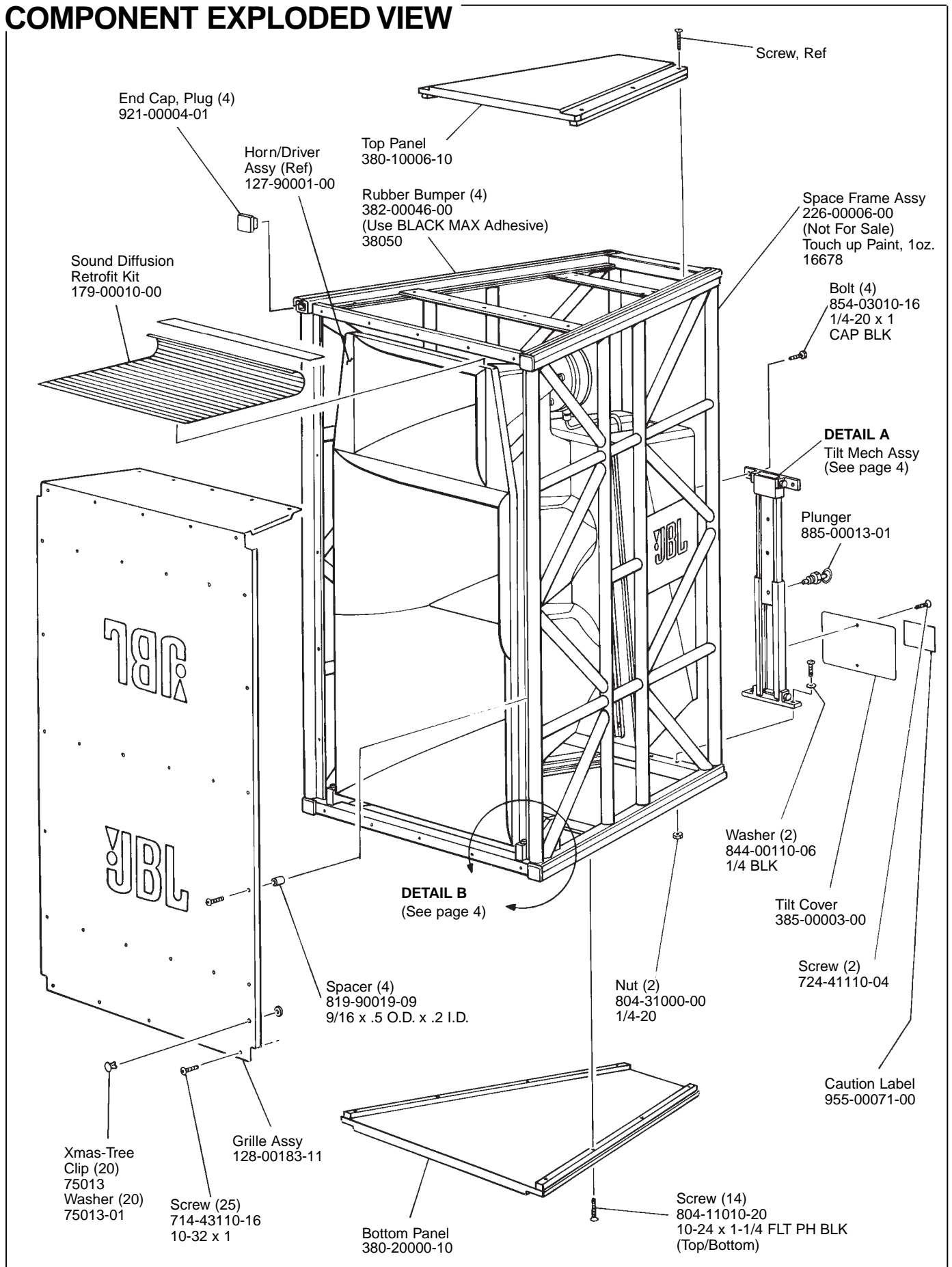


NOTE: TOUCH UP  
PAINT (1 OZ)  
16678

JBL HLA4895

# JBL HLA4895

## COMPONENT EXPLODED VIEW



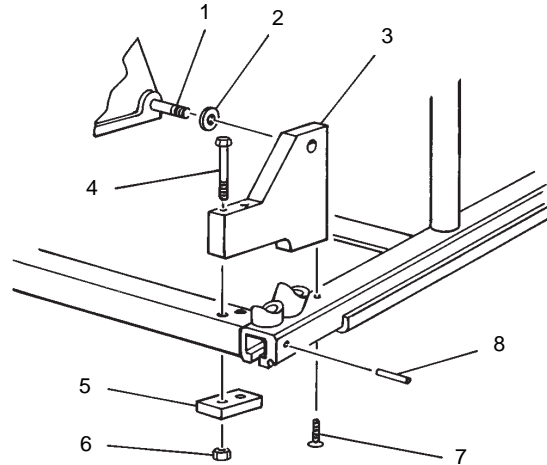
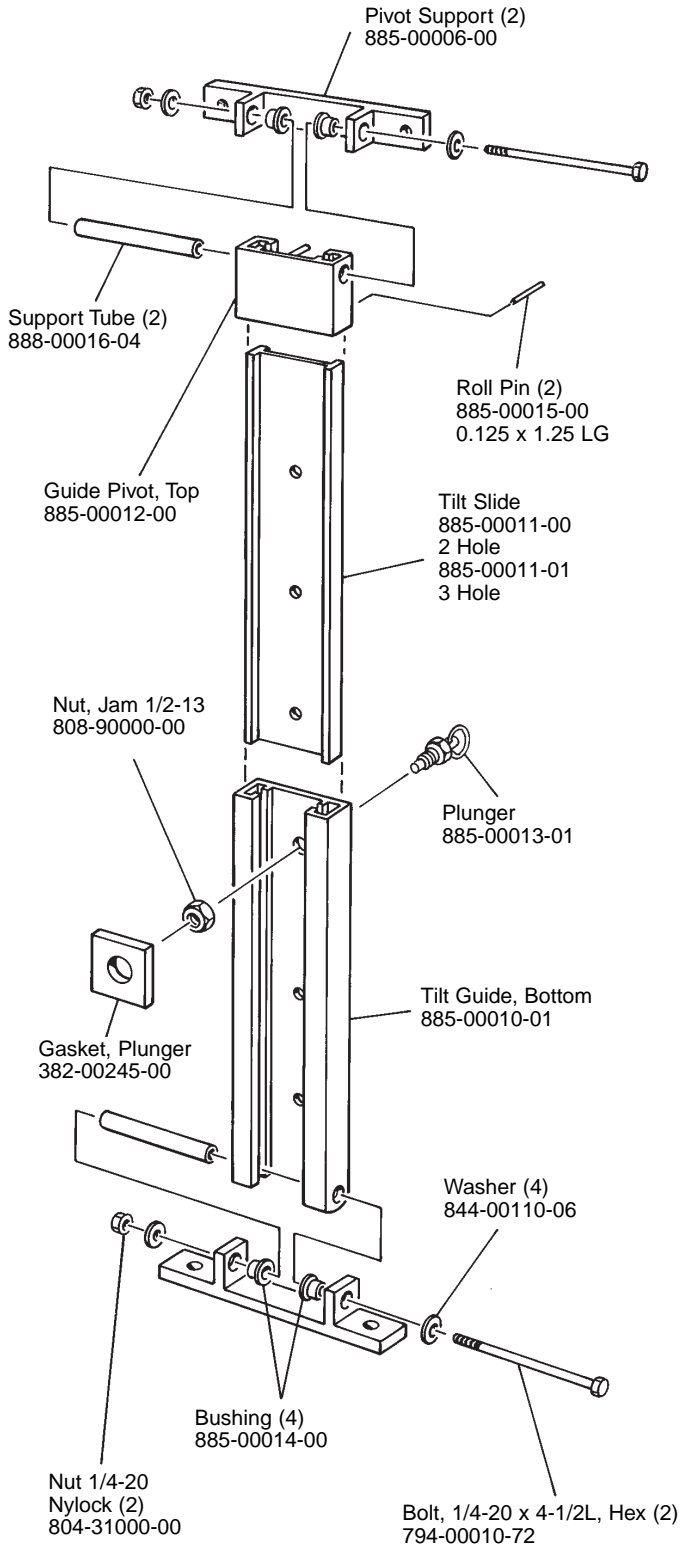
JBL HLA4895

# JBL HLA4895

## COMPONENT EXPLODED VIEW

### DETAIL A

Tilt Mechanism Assy  
226-00005-01



### DETAIL B

- |   |                 |                               |
|---|-----------------|-------------------------------|
| 1 | Pivot Shaft     | 888-00004-00                  |
| 2 | Washer (2)      | 848-90000-00                  |
| 3 | Pivot Block (2) | 885-00007-00                  |
| 4 | Screw (4)       | 715-33010-36, 1/4-20 x 2-1/4  |
| 5 | Washer, Sq (2)  | 888-00006-00                  |
| 6 | Nut (4)         | 804-36010-00, 1/4-20          |
| 7 | Screw (2)       | 705-11010-12, 1/4-20 x 3/4    |
| 8 | Roll Pin (4)    | 885-00021-01, 1/4 Dia x 1-3/4 |

## PACKAGE

Warranty 59660  
Specification Sheet  
981-00034-00

