

Technical Manual



JBL HLA4897A

SPECIFICATIONS

SYSTEM:

- Frequency Response (± 3 dB): 34 Hz - 150 Hz (For 4 Units Arrayed Together)
- Maximum Peak Output: 138 dB @ 1m
- Recommended Bandpass: 27 Hz - 120 Hz

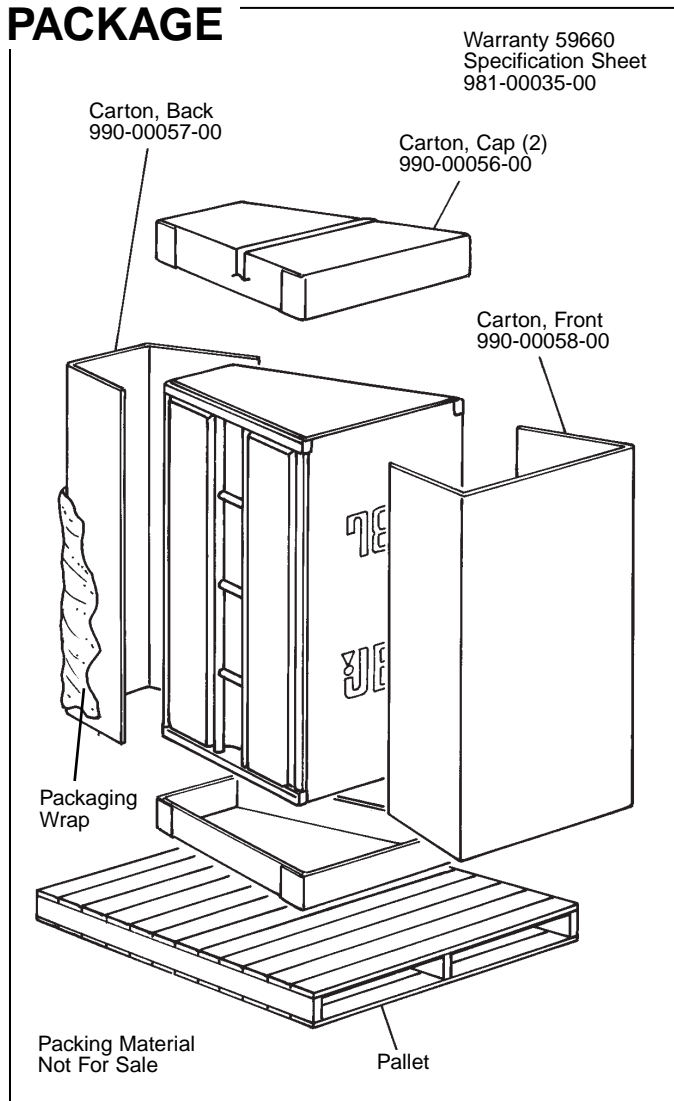
TRANSDUCERS:

- Low Frequency: Two 2258H, 457mm (18 in) dia., 100mm (4 in) Super Vented Gap
- Nominal Impedance: 8 Ohms each Transducer (Separately Wired)
- Input Power Rating (each Transducer): 800W, AES
- Sensitivity: 98 dB, 1W, @ 1m (3.3 ft), 35 - 120 Hz

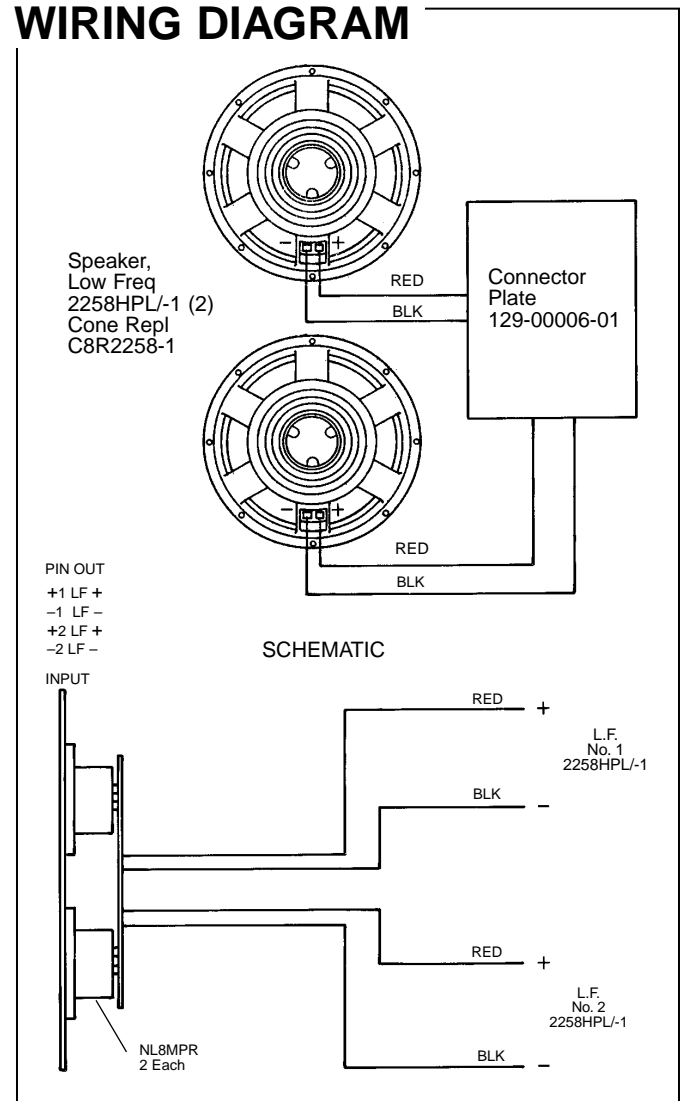
ENCLOSURE/SPACEFRAME:

- Flying System: Trapezoidal, 15° side Angle, 6061-T6 Aluminum, Carbon/Fiber/Honeycomb/Glass/Fiber Composite
- Grille: I Beam Connecting Bar, Lifting Bar
- Input Connectors: Black Perforated Steel, Foam Backed (128-00193-02)
- Dimensions (HxWxD): NL8 (Two NL8MPR)
- Net Weight: 1320mm x 864mm x 914mm (52 in x 34 in x 36 in)
- Shipping Weight: 91 kg (200 lbs)
- Shipping Weight: 98 kg (215 lbs)

PACKAGE

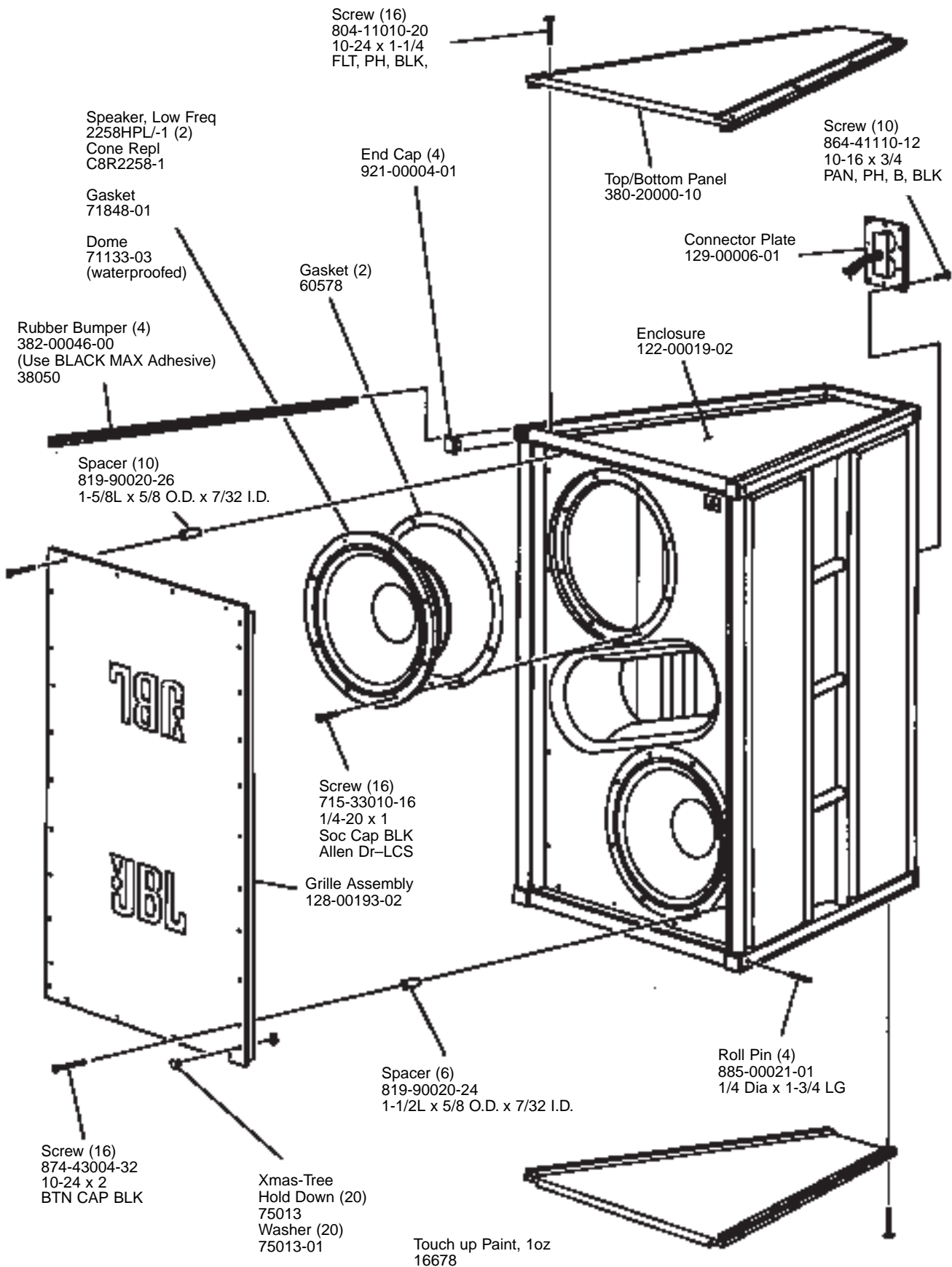


WIRING DIAGRAM



JBL HLA4897A

COMPONENT EXPLODED VIEW



JBL HLA4897