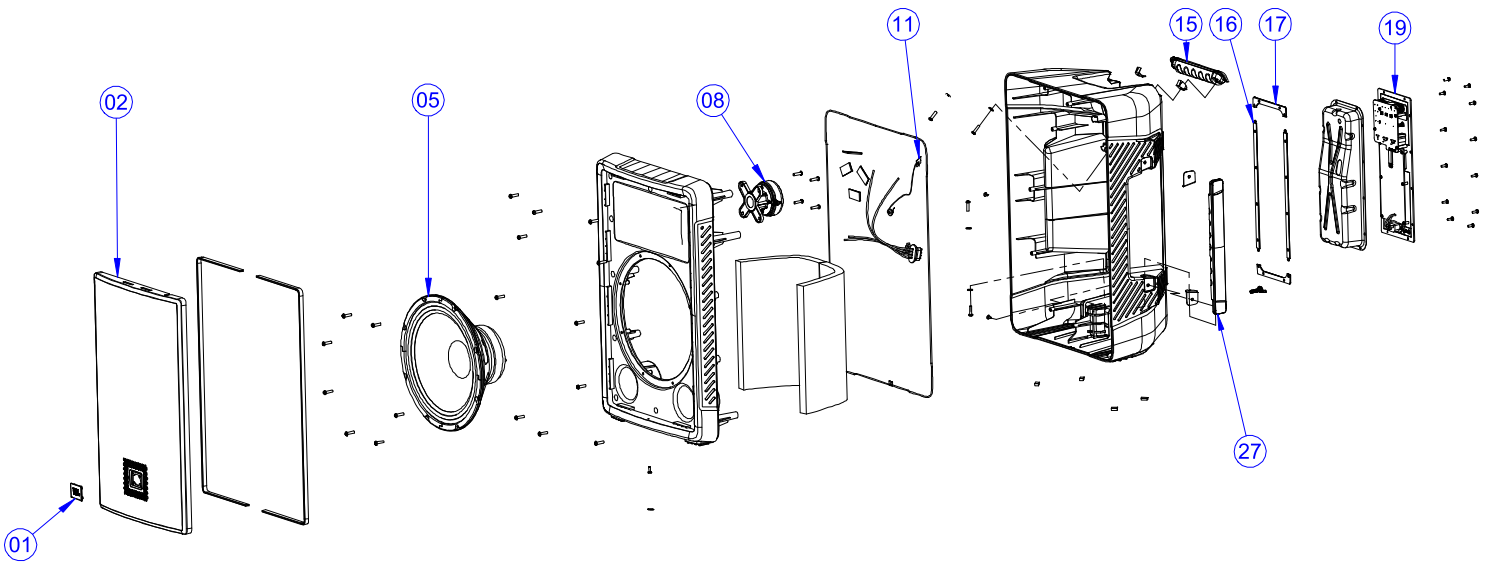


Powered 12" Portable Speaker with Bluetooth



| Spare Parts List(MAIN ASSY) | | | | |
|-----------------------------|-----------------|--|-----|----------------------------|
| Ref ID | HARMAN Part NO. | Description | Qty | SKU |
| 1 | 5123676-00 | HDW,NPL,LOGO ABS PA-75 94HB BLK | 1 | |
| 2 | 5125548-00 | MECHASY,GRL,SPCC NA TUR COLOR,IRX112 | 1 | |
| 5 | 5125549-00 | AUD,LS,WOOFER,12 IN,DRIVER ASSY | 1 | |
| 8 | 5125452-00 | AUD,LS,TWEETER,25MM CPRSN TI 4O | 1 | |
| 11 | 5123709-00 | ANT,ANTENN,495.4M,50 OHM | 1 | |
| 15 | 5125550-00 | HDW,HDL,HANDLE TOP ASSY,IRX112 | 1 | |
| 16 | 5123704-00 | ENCL,REAR PLATE EVA B 38° ADH,IRX 108BT | 2 | |
| 17 | 5123703-00 | ENCL,REAR PLATE EVA A 38° ADH,IRX112 | 2 | |
| 19 | 5125551-00 | PCB,ASY,AMPLIFIER ASSY,IRX112,NA | 1 | IRX112BT_NA |
| | 5126373-00 | PCB,ASY,AMPLIFIER ASSY,200-240V,IRX112,CN | | IRX112BT_CN |
| | 5125552-00 | PCB,ASY,AMPLIFIER ASSY,200-240V,IRX112,EU/AU | 1 | IRX112BT_EU IRX112BT_AU |
| 27 | 5125553-00 | HDW,HDL,HANDLE SIDE ASSY,IRX112 | 1 | |
| - | 5126376-00 | CBL,PCRD,JRK-348A,320 +300MM,4PIN,3.96MM,112BT | 1 | |





| Spare Parts List(REAR PLATE ASSY) | | | | |
|-----------------------------------|-----------------|---|-----|----------------------------|
| Ref ID | HARMAN Part NO. | Description | Qty | SKU |
| 2 | 5123712-00 | PCB,ASY,TST,INPUT,IRX 112BT | 1 | |
| 3 | 5123713-00 | OPT,LENS,EVA A 38' ADHESIVE,IRX 108BT | 1 | |
| 4 | 5123729-00 | HDW,KNOB,BUTTON ON OFF ABS PA-75 BLK | 3 | |
| 5 | 5123736-00 | HDW,KNOB,EQ BUTTON EVA 48' BLK,IRX112BT | 1 | |
| 6 | 5123731-00 | HDW,KNOB,BUTTON EQ ABS PA-75 BLK | 1 | |
| 7 | 5123737-00 | HDW,KNOB,BUTTON POWER EVA 48' BLK,IRX112BT | 1 | |
| 8 | 5123732-00 | HDW,KNOB,BUTTON PWR BT ABS PA-75 BLK | 1 | |
| 9 | 5123718-00 | OPT,LENS,B PC-110 94HB TRANS | 1 | |
| 10 | 5123719-00 | OPT,LENS,A PC-110 94HB TRANS | 1 | |
| 12 | 5125554-00 | ENCL,PLATE REAR SECC NATUR COLOR,IRX112,EU/AU | 1 | IRX112BT_EU IRX112BT_AU |
| | 5126375-00 | ENCL,PLATE REAR SECC NATUR COLOR,IRX112,CN | 1 | IRX112BT_CN |
| | 5125555-00 | ENCL,PLATE REAR SECC NATUR COLOR,IRX112,NA | 1 | IRX112BT_NA |
| 14 | 5123723-00 | HDW,KNOB,MASTER ABS PA-75 94HB BLACK | 1 | |
| 15 | 5123724-00 | HDW,KNOB,VOLUME ABS PA-75 94HB BLACK | 2 | |
| 17 | 5126245-00 | THRMMGT,THRMPD, SILICONE H400 | 1 | |
| 18 | 5126246-00 | HDW,INSUL,THRM, H160-ISP05 GREY | 1 | |
| 22 | 5123725-00 | CBL,2P JUMPER CABLE UL1672 #16 | 1 | |
| 23 | 5123733-00 | PCB,ASY,TST,SMPS & AMP,IRX 112BT | 1 | |
| 24 | 5123727-00 | CON,JMPR,JRK- 346A 60MM 1PIN | 1 | |
| 26 | 5123735-00 | HDW,PLUG, 250VA 10A NA LECI | 1 | |

