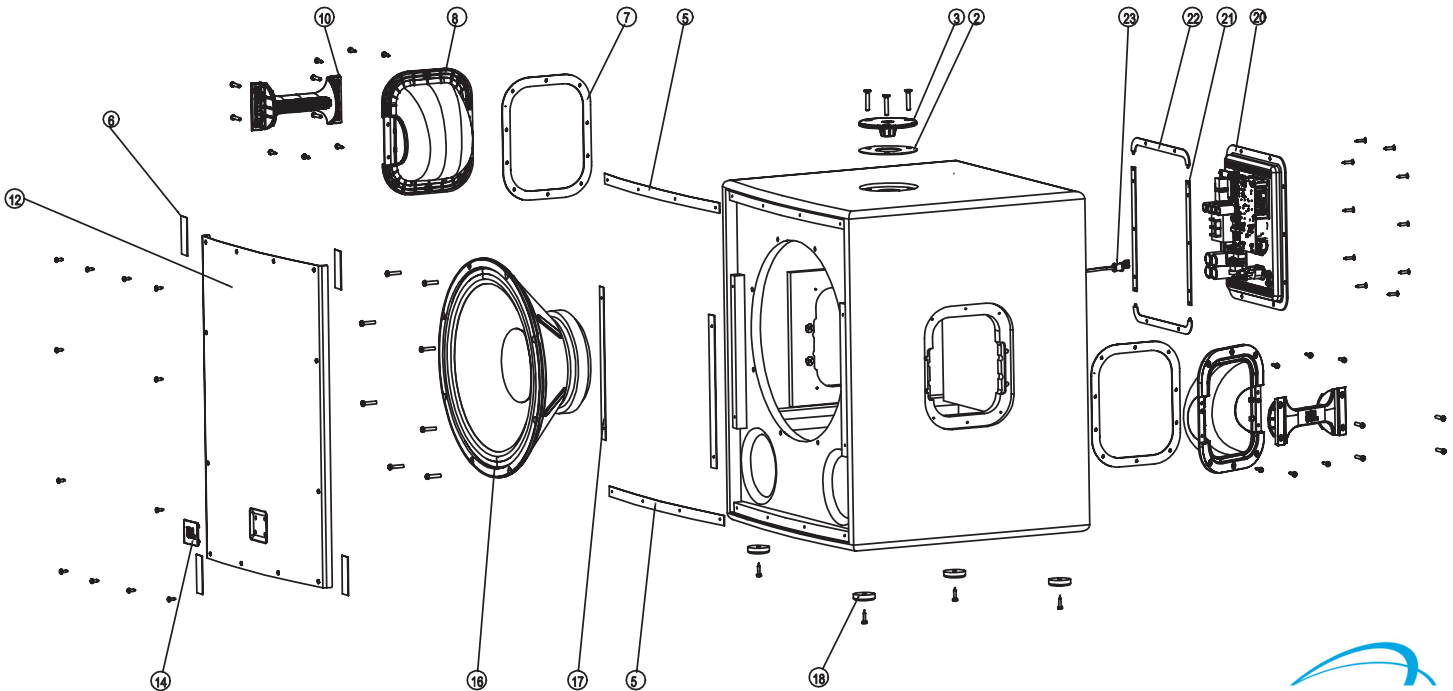




Spare Parts List(MAIN ASSY)				
Ref ID	HARMAN Part NO.	Description	Qty	SKU
2	5131034-00	HDW,SEAL,EVA,T1.5mm,OD101.6XID70MM	1	
3	5003856	Pole mount, M20 3 hole pattern	1	
5	5131062-00	HDW,SEAL,EVA,T1.5mm,L440XW19MM	2	
6	5131063-00	HDW,SEAL,EVA,T1.0mm,L50XW15MM	4	
7	5131070-00	HDW,SEAL,EVA,T1.5mm,L212.6XW98MM	4	
8	5129990-00	ENCL,HDL,CVR,L215 x W172 x H75mm	2	
10	5129991-00	HDW,HDL,PC+ABS+TPE	2	
12	5129994-00	SPKRSYS,GRL,SPCC,IRX115SUB	1	
14	5129995-00	HDW,NPL,LOGO	1	
16	5129996-00	AUD,LS,SPEAKER,15IN,BT	1	
17	5131071-00	HDW,SEAL,EVA,T1.0mm,L300XW20MM	2	
18	5130004-00	HDW,FT,SILICON,OD38.1XH9.9MM	4	
20	5132040-00	PCB,ASY,TST,AMP,IRX115SUB-CN	1	IRX115SUB-CN
	5132041-00	PCB,ASY,TST,AMP,IRX115SUB-US	1	IRX115SUB-US
	5129997-00	PCB,ASY,TST,AMP,220V,IRX115SUB-EK/AU	1	IRX115SUB-EK/AU
21	5131072-00	HDW,SEAL,EVA,T1.5mm,L221XW30.4MM	2	
22	5131073-00	HDW,SEAL,EVA,T1.5mm,L218.4XW12MM	2	
23	5129998-00	CBL,VH-4Y-42,4 PIN,3.96MM K	1	
-	5130000-00	CBL,CABLE POWER 3P BRI	1	IRX115SUB-EK
-	5130001-00	CBL,CABLE POWER 3P US	1	IRX115SUB-US
-	5130002-00	CBL,CABLE POWER 3P CCC	1	IRX115SUB-CN
-	5130003-00	CBL,CABLE POWER 3P AUS	1	IRX115SUB-AU





Spare Parts List(AMP ASSY)			
Ref ID	HARMAN Part NO.	Description	Qty
10	5130062-00	HDW,PLUG,250V 10A	1
13	5130005-00	HDW,KNOB,KNOB MASTER	1
14	5131074-00	HDW,EVA BUTTON,L69XW69XT0.5MM	1
15	5130006-00	OPT,LENS,SIGNAL LENS	1
16	5130007-00	OPT,LENS,POWER EQ LENS	1
17	5130008-00	HDW,SEAL,EVA,LIGHT GUIDE	1
18	5130009-00	HDW,GSKT,POWER EQ LENS	1
19	5130010-00	HDW,GSKT,SIGNAL LENS	1
20	5130011-00	OPT,LENS,EVA,BLK,HARDNESS 38 DEGREE	4
21	5130013-00	SW,PBTN,IRX115SUB	1
23	5130014-00	HDW,SEAL,EVA,LED POWER EQ,BLK	1
24	5130015-00	HDW,SEAL,EVA,LED PCB,BLK	2
25	5131075-00	HDW,EVA,L27XW12XT3MM	1

