



# Service Manual

## IRX115S

Active Powered Subwoofer





# Table of Contents

---

Datasheets and Specifications

Exploded View Diagrams

Block Diagrams

Schematics

Bill of Materials





**HIGHLIGHTS ■**

**Big Sound, Small Box**

High output and extended low-frequency response in a compact, ported design

**Portable and Lightweight**

Perfectly complements the IRX line of powered loudspeakers with a built-in, lightweight amplifier and ergonomic, sturdy handles

**Easy to Set Up and Operate**

Easily selectable crossover frequencies and polarity on the back of the cabinet

The JBL IRX115S powered subwoofer, the newest model in the IRX Series of versatile, cost-conscious portable P.A.s, extends the low-frequency response of IRX systems down to a room-shaking 35 Hz.

The 15" IRX115S draws from JBL's top professional technologies to deliver superior sound without the guesswork, thanks to custom driver and amplifier designs; tuned, ported enclosure; and built-in crossover and polarity settings. It all adds up to an impressive 128 dB of deep, powerful bass, in a rugged, ultralight cabinet weighing less than 66 pounds.

The IRX Series offers legendary JBL fidelity, power and ease of use at a fraction of the price and size of comparable systems. The 8-inch IRX108BT and the 12-inch IRX112BT are fully loaded with features that make it easy to dial in incredible sound in an instant—from real-world EQ presets and dbx DriveRack automatic feedback suppression to Bluetooth streaming and one-touch ducking.

Budget-conscious musicians, DJs, presenters and fitness instructors can count on versatile, full-featured JBL IRX Series portable P.A.s to deliver stunning sound, no matter their experience level.

**KEY MESSAGES ■**

**BE HEARD, LOUD AND CLEAR**

The IRX115S leverages more than 70 years of JBL speaker innovation to deliver superior frequency response, sound pressure levels and sheer power. Inside, a powerful 15" woofer with 3" voicecoil delivers low-frequency coverage down to 35 Hz; a 1,300W high-efficiency amp helps protect the woofer and driver while ensuring top-level acoustic performance. Selectable 80 Hz, 100 Hz and 120 Hz crossover points smooth out system response, especially when used with IRX Series loudspeakers; a tuned port reduces woofer noise.

**PORTABLE AND DURABLE**

The tough, lightweight IRX115S is engineered to outperform larger boxes in a compact form factor weighing less than 66 pounds. Its durable MDF enclosure features a tight-gauge, reinforced honeycomb bevel pattern that offers rugged protection without compromising acoustic performance. Transport is easy, thanks to thoughtfully designed ergonomic handles. And it's all verified by JBL's legendary 100-hour stress test.

**GREAT SOUND, MADE SIMPLE**

With the IRX Series, perfect sound is just a button push away. Simple settings adjust crossover and polarity to optimize system sound in any space. Pair the IRX115S with IRX Series powered loudspeakers and access Bluetooth audio streaming, dbx automatic feedback suppression, ducking and EQ presets that'll have you instantly sounding your best in any space.

**IN THE BOX ■**

- IRX115S
- IEC Power Cable
- Quick Start Guide

## APPLICATIONS ■

### MUSICIANS/PERFORMERS

Musicians and performers looking for a great-sounding, easy-to-use sound reinforcement speaker in a portable, affordable package.

### PRESENTERS/INSTRUCTORS

Mobile presenters and fitness instructors looking for an easy-to-use, compact PA solution with Bluetooth audio and built-in music ducking.

### HOSPITALITY/GOVERNMENT INSTALLATIONS

Hospitality/government installations requiring professional sound quality with ease of use and minimal setup time.

## FEATURES ■

- Powerful 15" woofer with 3" voicecoil generates smooth, deep low-frequency response
- Selectable 80 Hz, 100 Hz and 120 Hz crossover points are optimized for JBL IRX Series loudspeakers
- Ported enclosure enhances output and reduces woofer noise
- Frequency response: 35 Hz – 147 Hz (-10 dB)
- Power rating: 1,300W
- Max SPL: 128 dB
- I/Os: 2 XLR Combo, 2 XLR out
- Polarity switch optimizes system response
- Lightweight, road-tested MDF cabinet
- Weight: 65.3 lb (29.65 kg)
- Built-in pole mount expands system configuration options
- Reinforced grille offers rugged protection without compromising acoustic performance
- Ergonomic handles make transport easy

## TECHNICAL SPECIFICATIONS ■

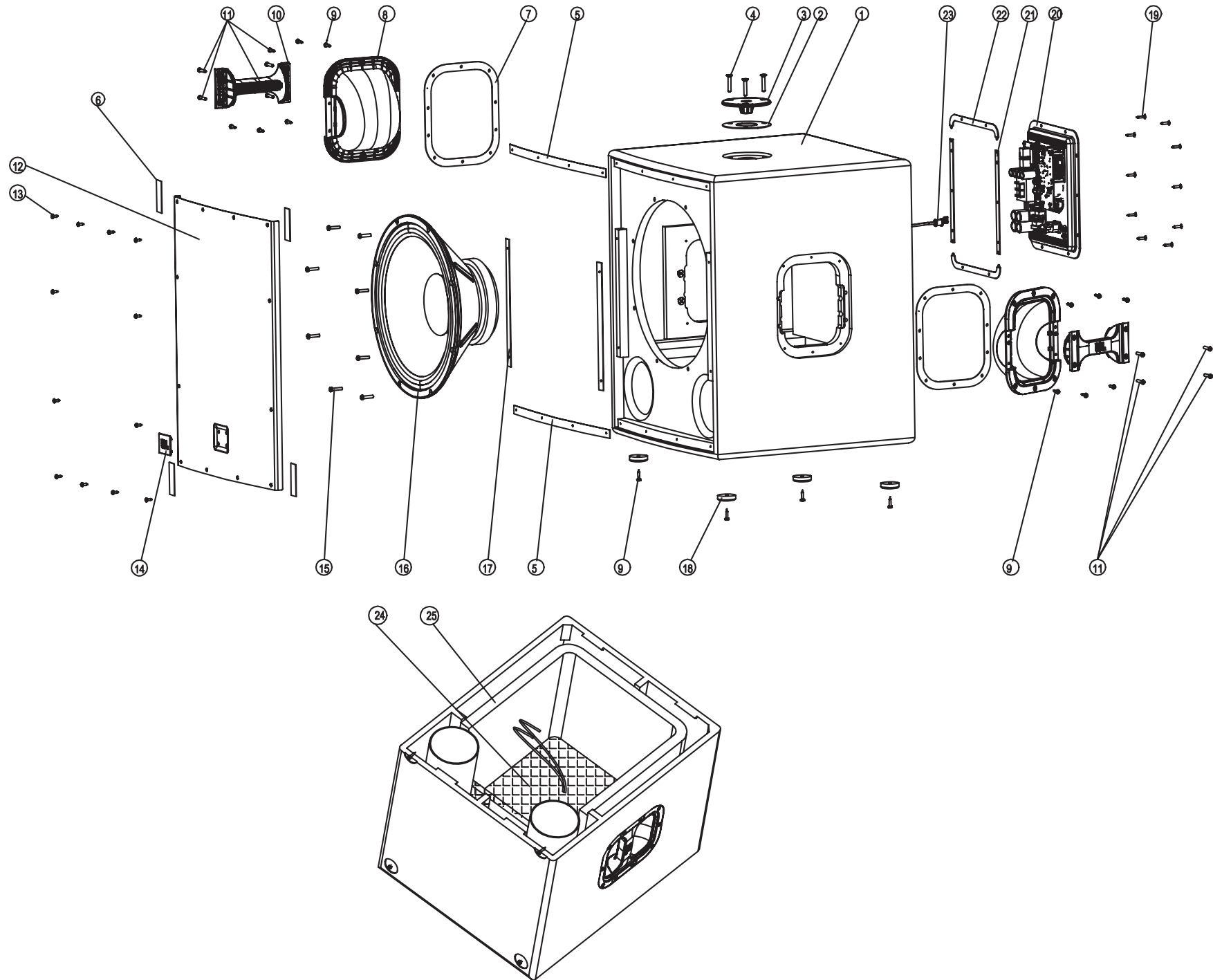
<b>SYSTEM TYPE:</b>	Powered subwoofer
<b>WOOFER SIZE:</b>	15"
<b>MAX SPL:</b>	128 dB
<b>FREQUENCY RESPONSE (-3 dB):</b>	45 Hz – 103 Hz
<b>FREQUENCY RESPONSE (-10 dB):</b>	35 Hz – 147 Hz
<b>POWER RATING:</b>	1,300 watts peak 600 watts burst 400 watts continuous
<b>INPUT IMPEDANCE:</b>	100k ohm, balanced

<b>CROSSOVER FREQUENCIES:</b>	Selectable 80, 100, 120 Hz
<b>POLARITY:</b>	Normal, inverted (switch on back panel)
<b>INPUTS:</b>	2 XLR Combo
<b>OUTPUTS:</b>	2 XLR (pass through)
<b>CABINET:</b>	15 mm MDF, 18 mm front plate
<b>MOUNTING:</b>	M20 x 2.5P Pole Cup
<b>NET WEIGHT:</b>	65.3 lb (29.65 kg)
<b>DIMENSIONS (D x W x H):</b>	18.9 x 18.9 x 23.6 in (480 x 480 x 600 mm)

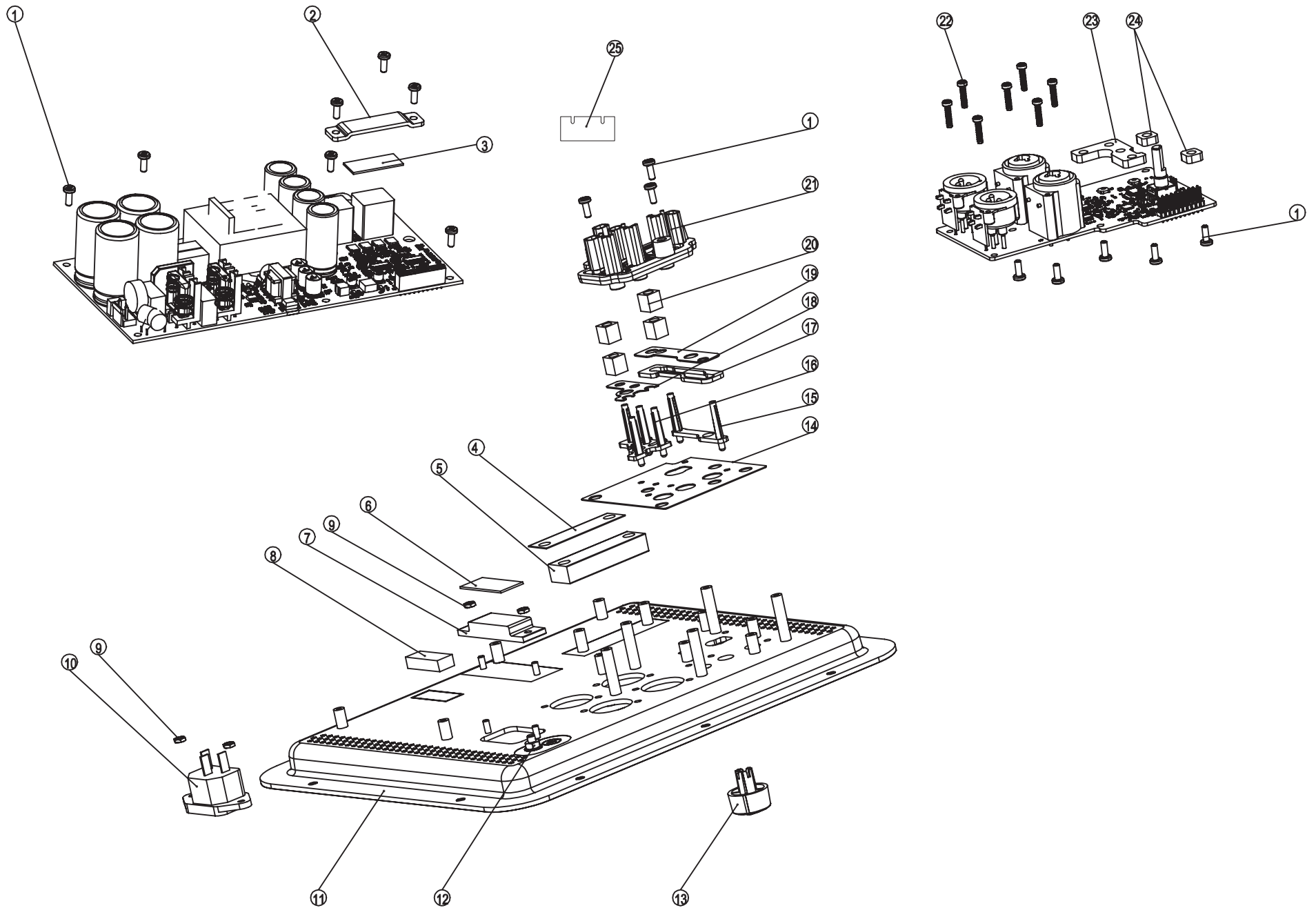
## ORDER SPECIFICATIONS ■

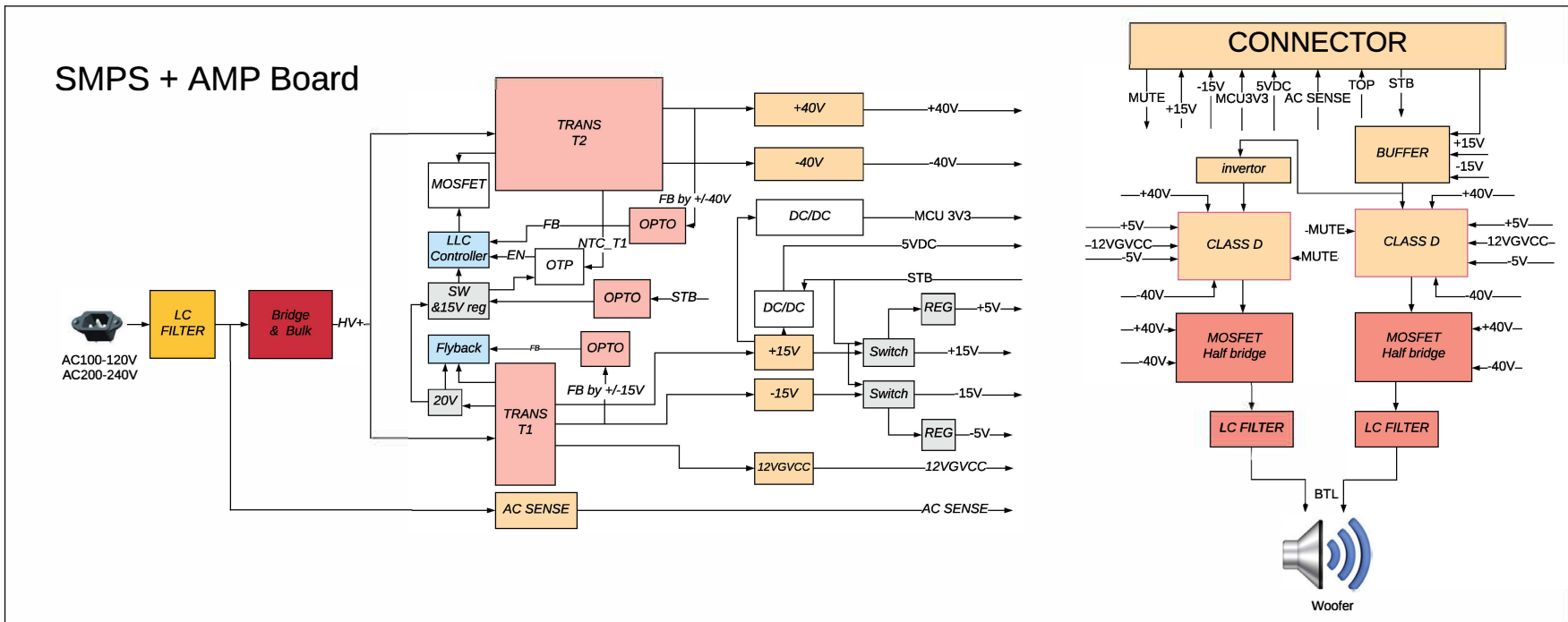
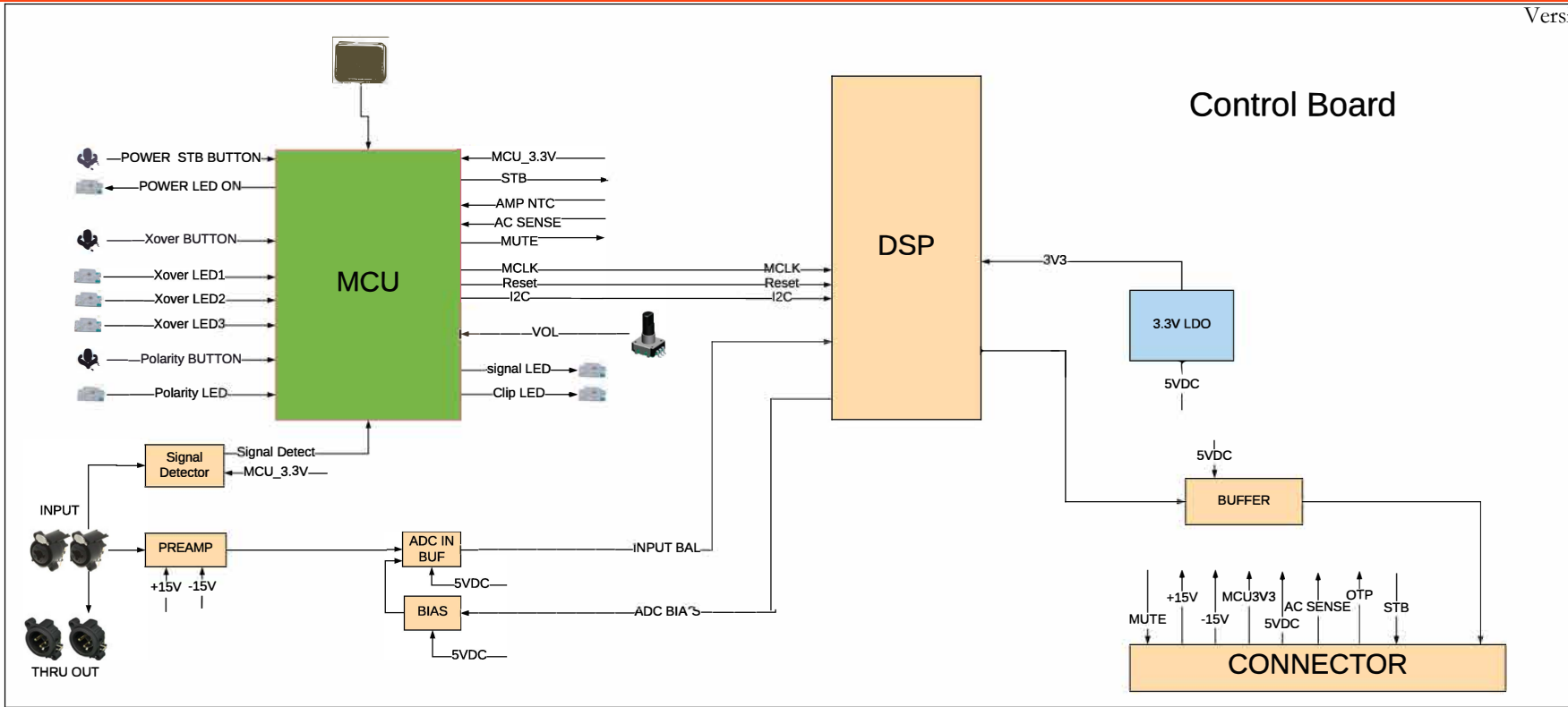
<b>SHIPPING CARTON (L x W x H):</b>	23 x 23 x 27.75 in (584.2 x 584.2 x 704.85 mm)
<b>SHIPPING WEIGHT:</b>	76 lb (34.5 kg)
<b>UPC CODE:</b>	<b>JBL-IRX115S-CN:</b> 691991034190 <b>JBL-IRX115S-AU:</b> 691991034206 <b>JBL-IRX115S-EK:</b> 691991034213 <b>JBL-IRX115S-NA:</b> 691991034220

IRX115S\_MAIN ASSY\_EXPLODED VIEW



IRX115S\_AMPLIFIER ASSY\_EXPLODED VIEW





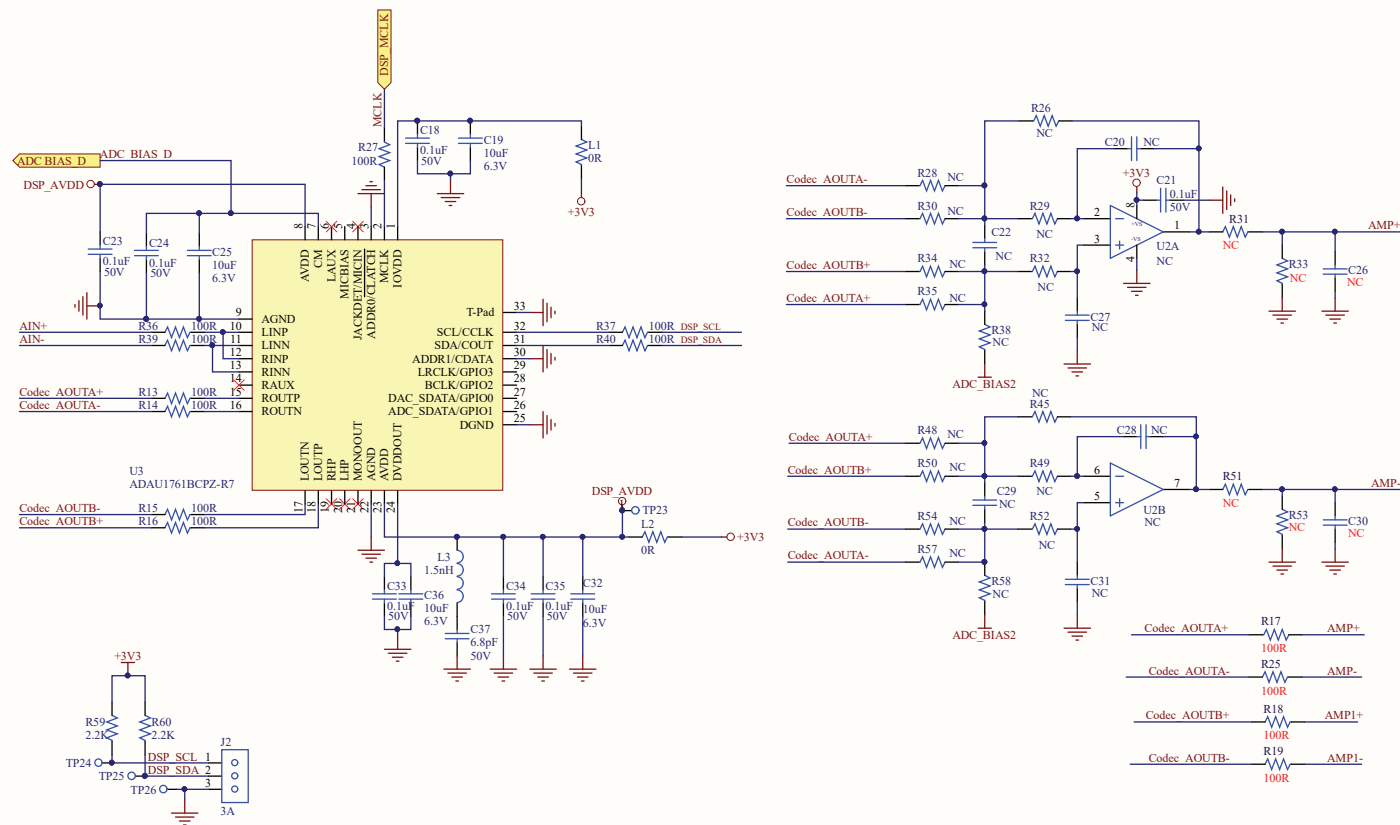
Version	Date	Description of Changes/Notes
0.0.0	2020/6/3	

A

B

C

D

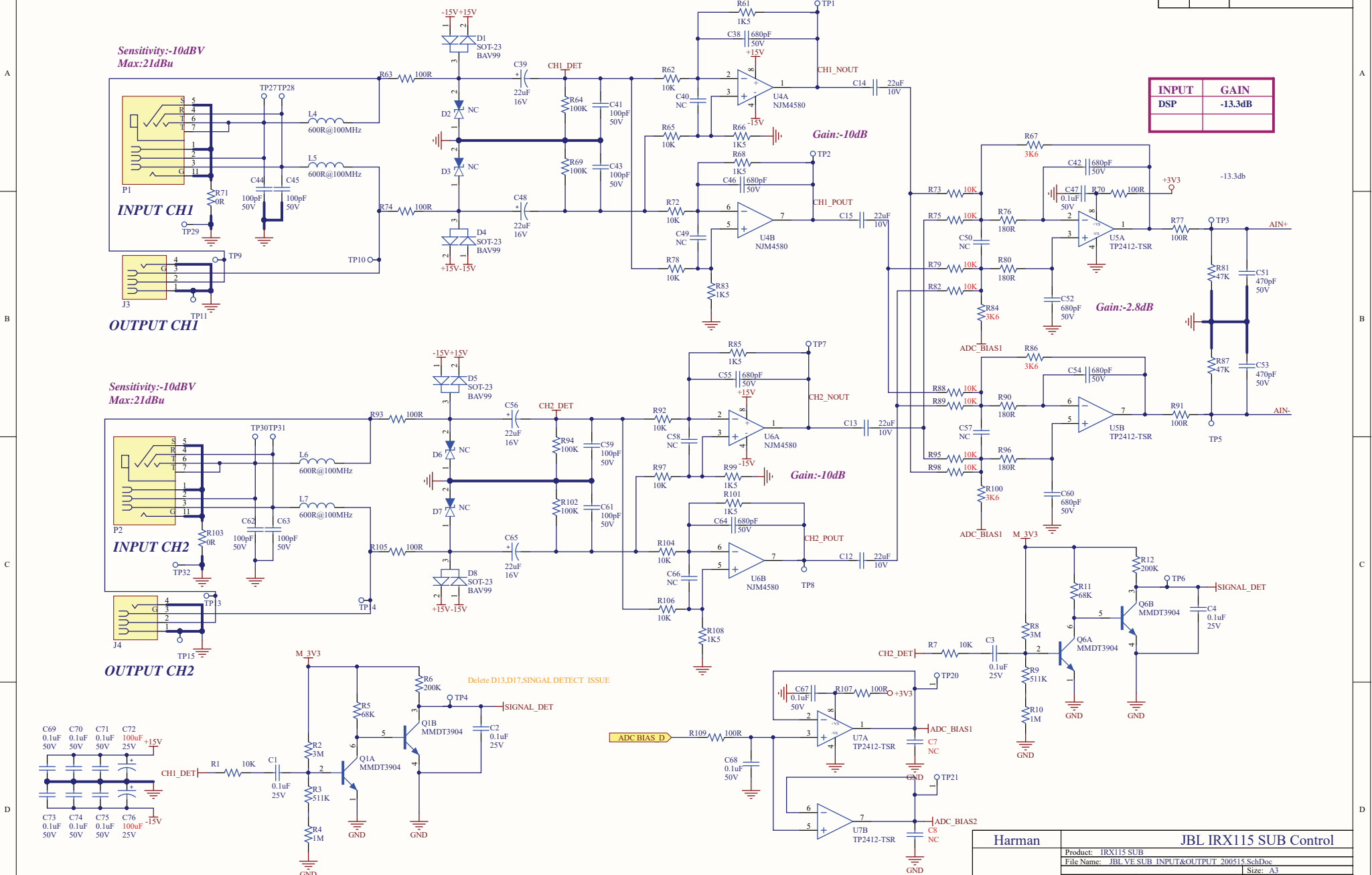


Harman	JBL IRX115 SUB Control		
	Product: IRX115 SUB		
File Name: JBLVE SUB_DSP_200515.SchDoc			Size: A3
Revision: 0.0	Drawn By: Bill He	Mod By: Bill He	
Status: DVT	Checked By: Eric Li	Mod Date: 2020/6/3	
Lead Engineer: Enter Name	Approved By: Enter Name		
Date: 2020/8/24	Time: 18:36:49	Sheet: 3 of 4	



Version	Date	Description of Changes/Notes
0.0.0	2020/6/3	

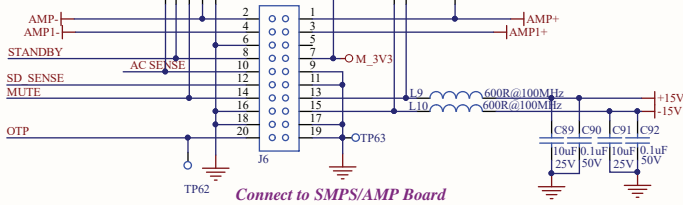
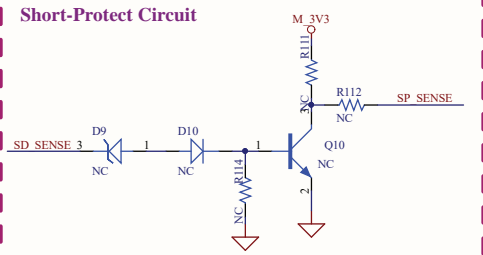
INPUT	GAIN
DSP	-13.3dB



Harman	JBL IRX115 SUB Control		
	Product: IRX115 SUB		
	File Name: JBL_VE SUB INPUT&OUTPUT 200515_SchDoc		
	Size: A3		
	Revision: 0.0	Drawn By: Bill He	Mod By: Bill He
	Status: DFT	Checked By: Eric Li	Mod Date: 2020/6/3
	Lead Engineer: Enter Name	Approved By: Enter Name	
Date: 2020/8/24	Time: 18:36:51	Sheet: 2 of 4	

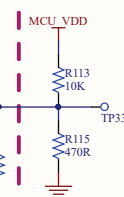
Version	Date	Description of Changes/Notes
0.0.0	2020/8/10	

### Short-Protect Circuit

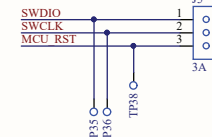


Connect to SMPS/AMP Board

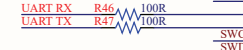
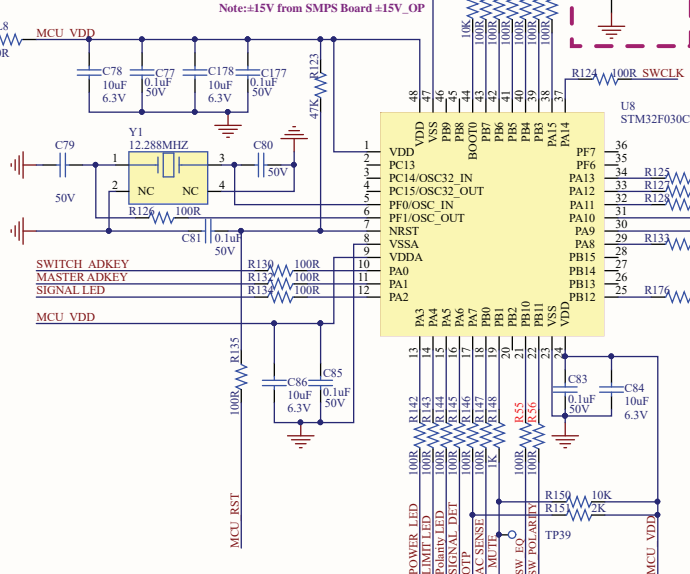
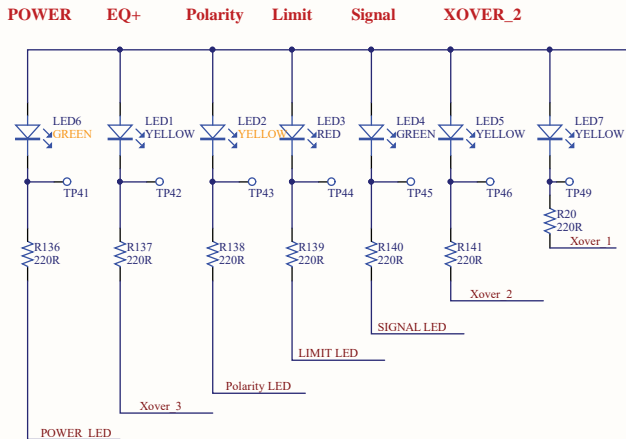
### Version Check



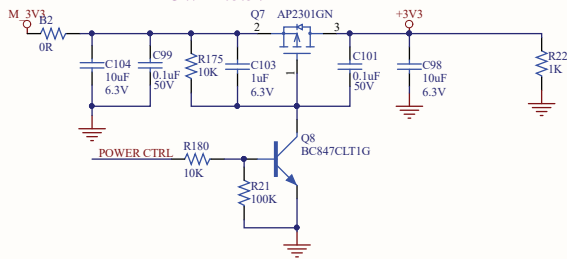
### For SW Upgraded/Debug



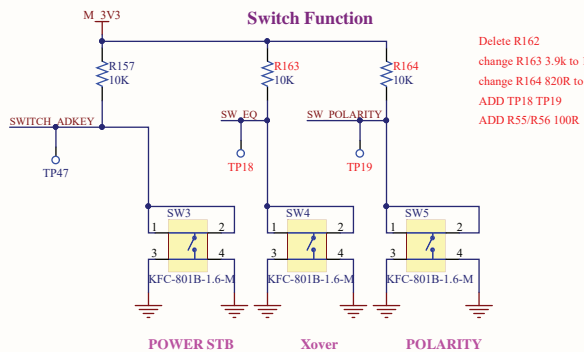
### LED Indication



### POWER: 3.3V

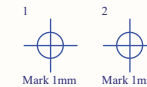
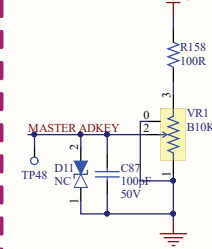


### Switch Function



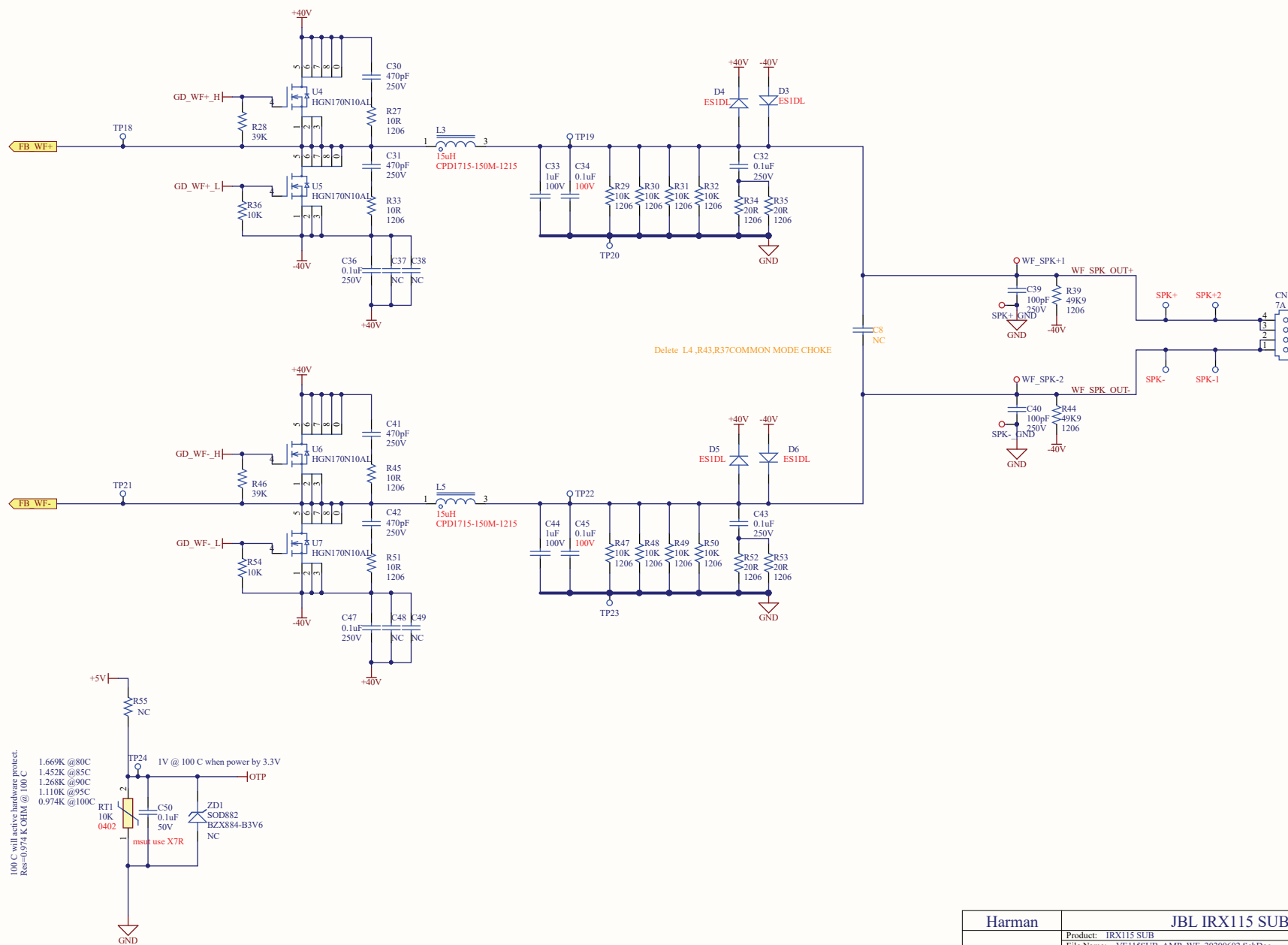
Delete R162  
change R163 3.9k to 10K  
change R164 820R to 10K  
ADD TP18 TP19  
ADD R55/R56 100K

### Master Volume



Harman	JBL IRX115 SUB Control		
Product:	IRX115 SUB		
File Name:	JBL_VE.SUB MCU&UI_200515.SchDoc		
Revision:	0.0	Size:	A3
Status:	DYF	Drawn By:	Bill He
Lead Engineer:	Enter Name	Checked By:	Eric Li
Date:	2020/8/24	Mod Date:	2020/8/10
Time:	18:36:52	Approved By:	Enter Name
		Sheet:	4 of 4

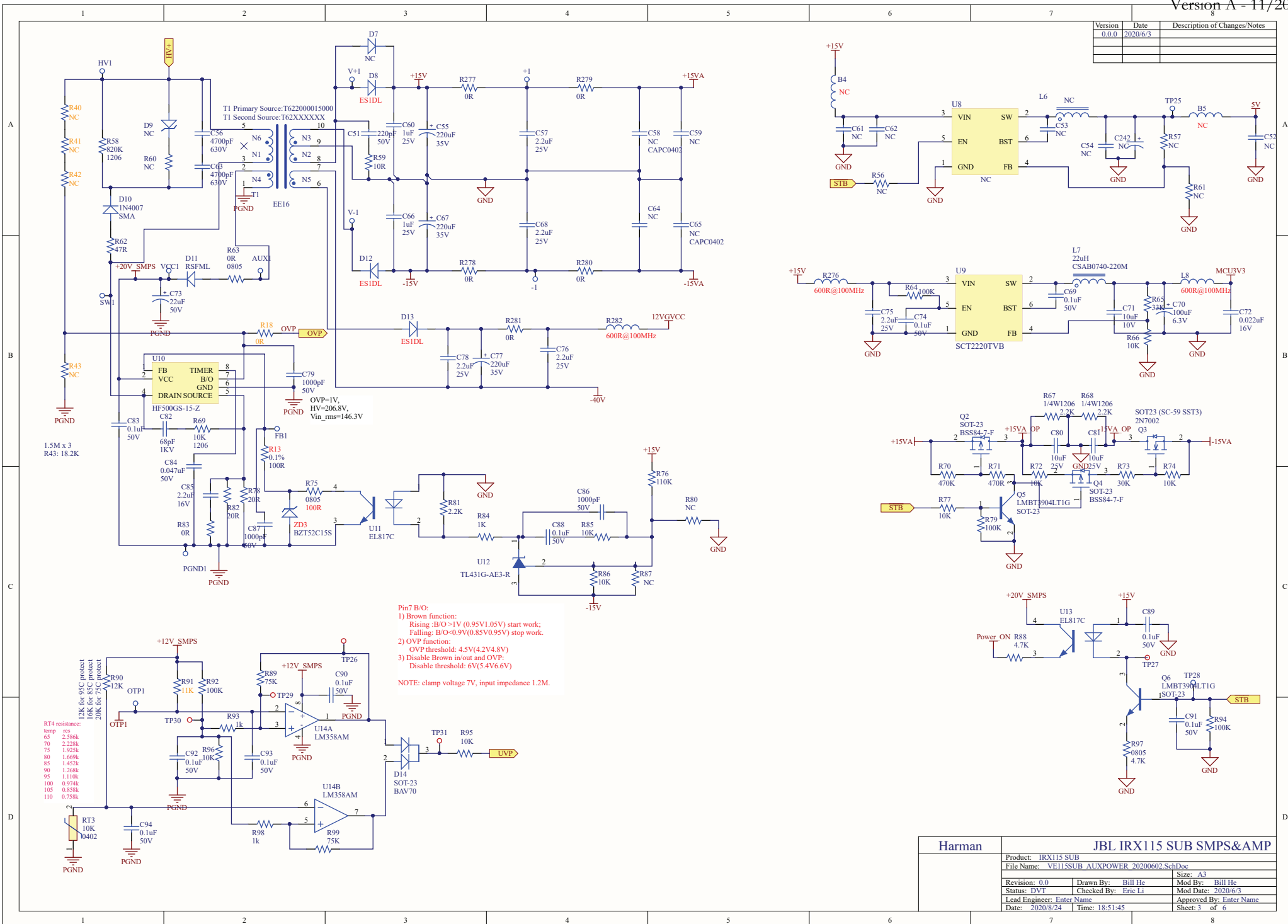
Version	Date	Description of Changes/Notes
0.0.0	2020/6/4	



100 C will activate hardware protect.  
Res=0.974 K OHM @ 100 C

1.669K @80C  
1.452K @85C  
1.268K @90C  
1.110K @95C  
0.974K @100C

Harman	JBL IRX115 SUB SMPS & AMP	
Product:	IRX115 SUB	
File Name:	VE115SUB AMP WF 20200602.SchDoc	
Revision:	0.0	Size: A3
Status:	DYF	Mod Date: 2020/6/4
Lead Engineer:	Enter Name	Approved By: Enter Name
Date:	2020/8/24	Time: 18:51:44
		Sheet: 5 of 6



Version	Date	Description of Changes/Notes
0.0.0	2020/6/3	

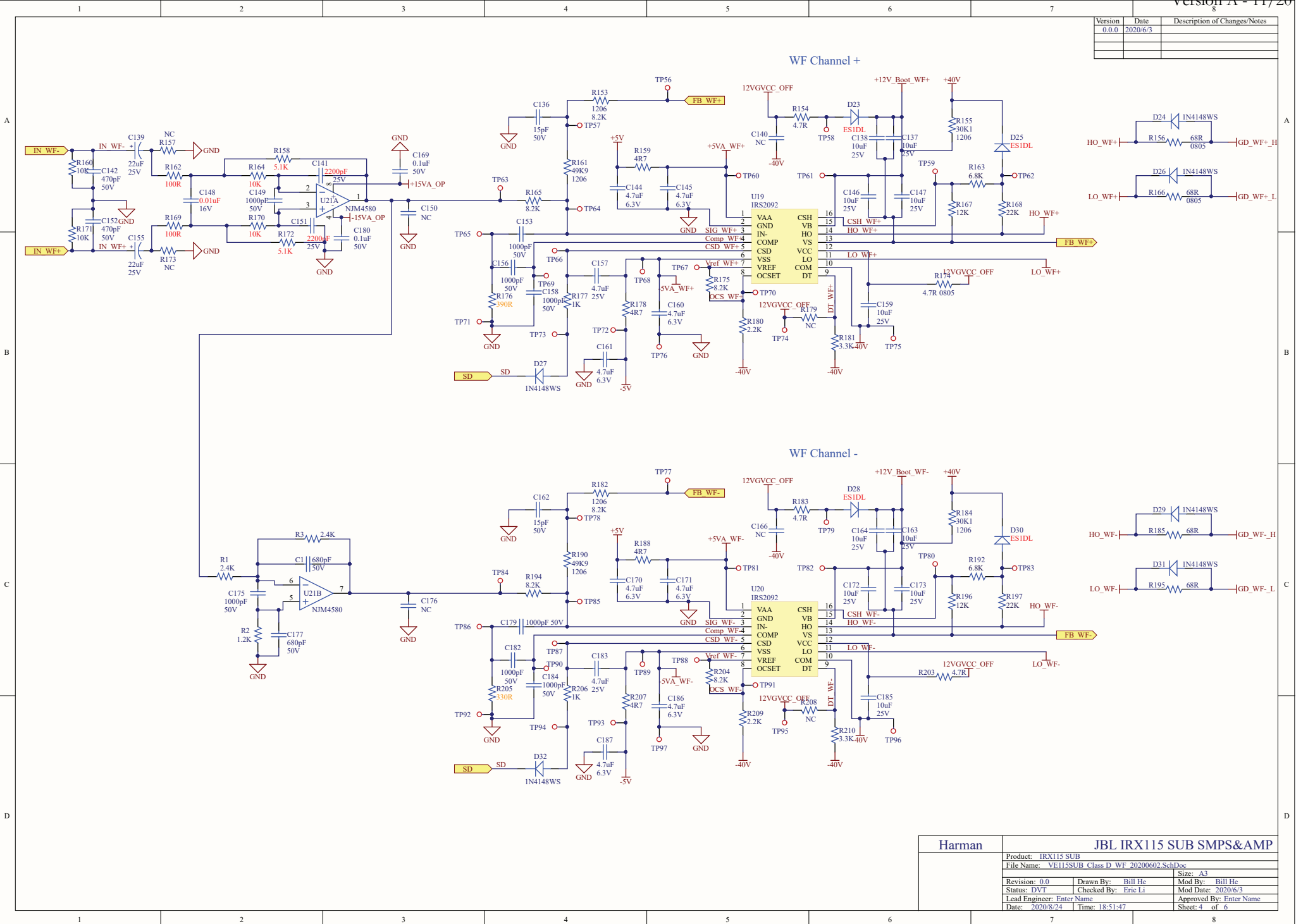
Pin7 B/O:  
 1) Brown function:  
 Rising :B/O > 1V (0.95V1.05V) start work;  
 Falling: B/O > 0.9V (0.85V0.95V) stop work.  
 2) OVP function:  
 OVP threshold: 4.5V (4.2V4.8V)  
 3) Disable Brown in/out and OVP:  
 Disable threshold: 6V (5.4V6.6V)  
 NOTE: clamp voltage 7V, input impedance 1.2M.

RT4 resistance:

temp	res
65	2.386k
70	2.228k
75	1.923k
80	1.669k
85	1.452k
90	1.268k
95	1.110k
100	0.974k
105	0.858k
110	0.758k

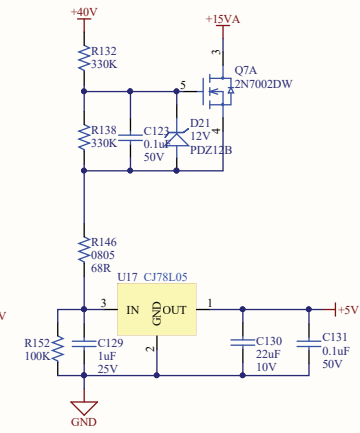
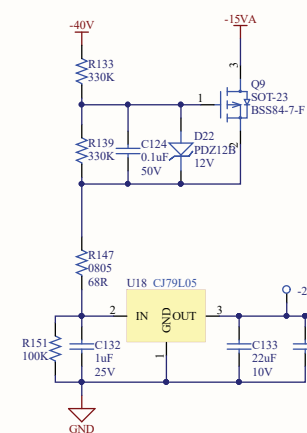
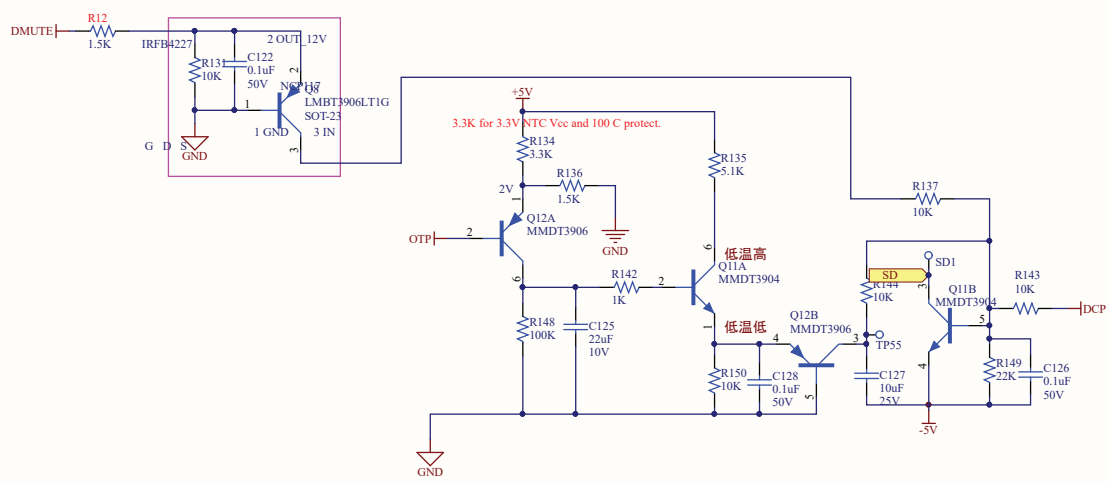
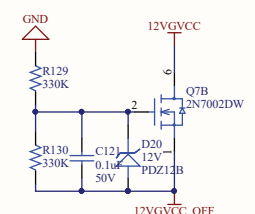
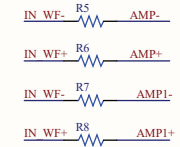
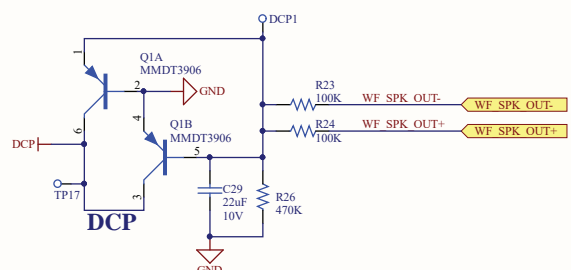
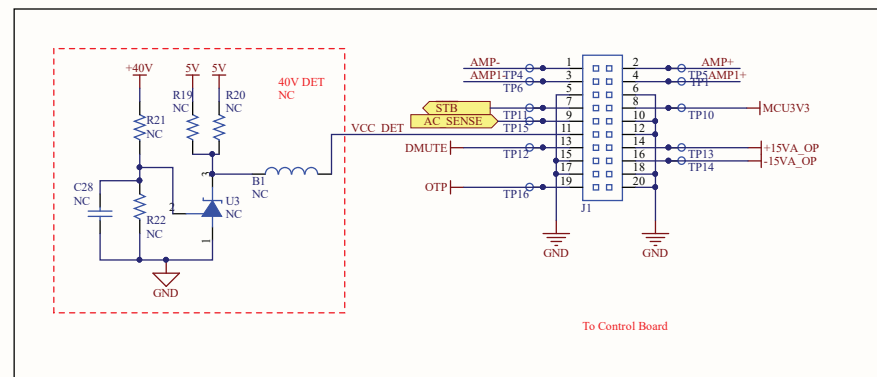
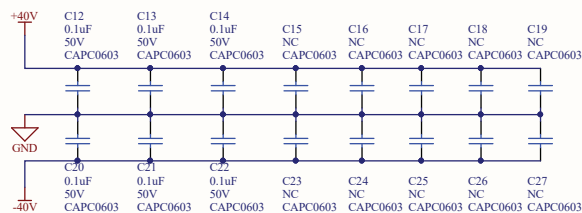
Harman	JBL IRX115 SUB SMPS & AMP
Product: IRX115 SUB	Product: IRX115 SUB
File Name: VE115SUB_AUXPOWER_20200602_SchDoc	File Name: VE115SUB_AUXPOWER_20200602_SchDoc
Revision: 0.0	Revision: 0.0
Status: DFT	Status: DFT
Lead Engineer: Enter Name	Lead Engineer: Enter Name
Date: 2020/8/24	Date: 2020/8/24
Time: 18:51:45	Time: 18:51:45
Size: A3	Size: A3
Drawn By: Bill He	Drawn By: Bill He
Checked By: Eric Li	Checked By: Eric Li
Mod By: Bill He	Mod By: Bill He
Mod Date: 2020/6/3	Mod Date: 2020/6/3
Approved By: Enter Name	Approved By: Enter Name
Sheet: 3 of 6	Sheet: 3 of 6

Version	Date	Description of Changes/Notes
0.0.0	2020/6/3	



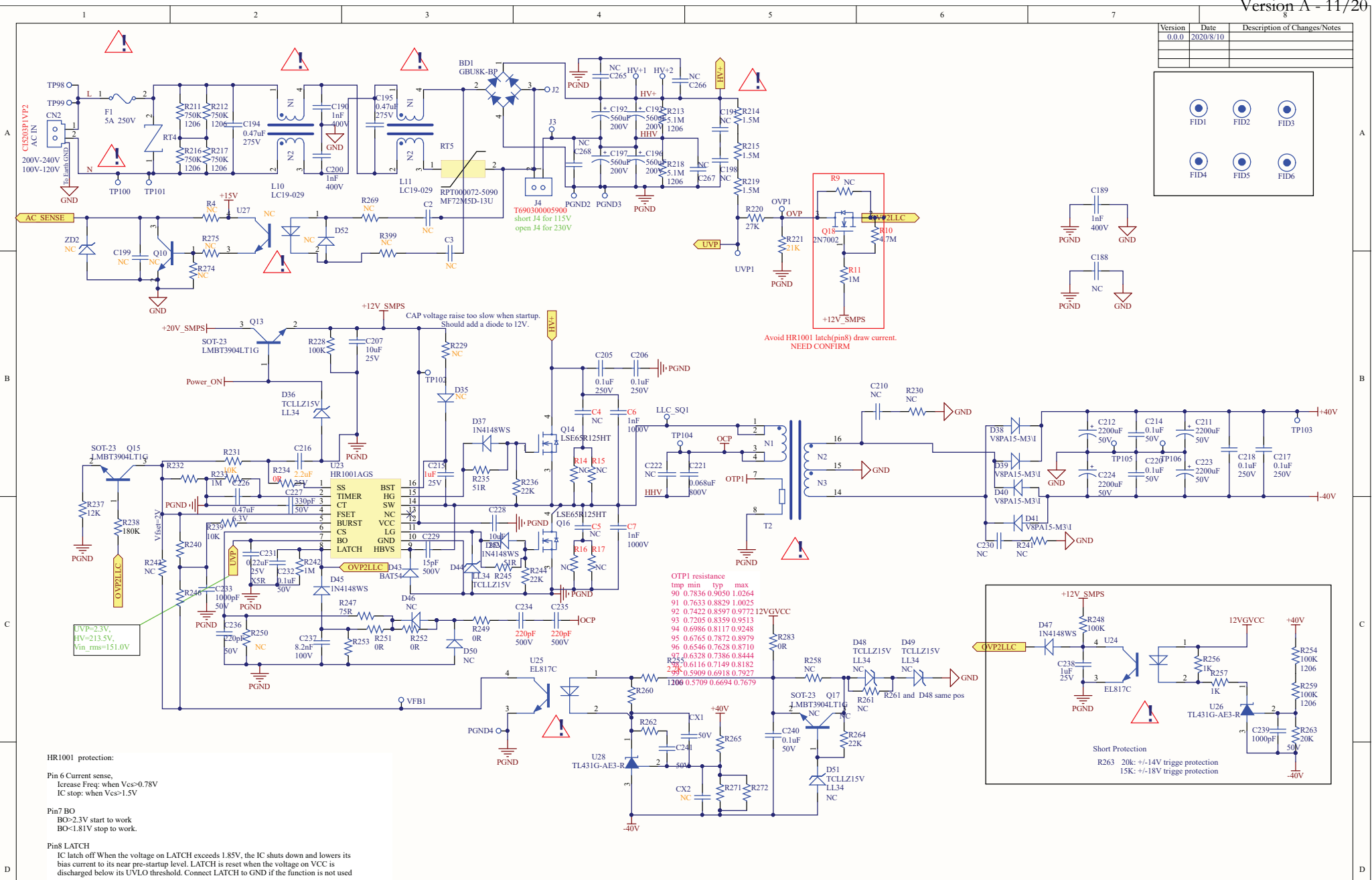
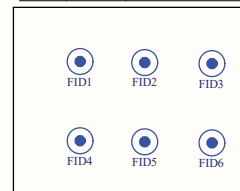
Harman	JBL IRX115 SUB SMPS & AMP		
	Product: IRX115 SUB		
	File Name: VE115SUB_Class D_WF_20200602_SchDoc		
	Size: A3		
	Revision: 0.0	Drawn By: Bill He	Mod By: Bill He
	Status: DFT	Checked By: Eric Li	Mod Date: 2020/6/3
	Lead Engineer: Enter Name	Approved By: Enter Name	
Date: 2020/8/24	Time: 18:51:47	Sheet: 4 of 6	

Version	Date	Description of Changes/Notes
0.0.0	2020/8/24	



Harman		JBL IRX115 SUB SMPS&AMP	
Product:	IRX115 SUB	Size:	A3
File Name:	VE115SUB_others_20200602_SchDoc	Drawn By:	Bill He
Revision:	0.0	Checked By:	Eric Li
Status:	DYF	Mod Date:	2020/8/24
Lead Engineer:	Enter Name	Approved By:	Enter Name
Date:	2020/8/24	Time:	18:51:49
		Sheet:	6 of 6

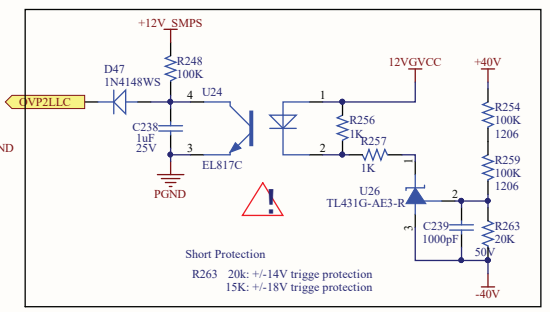
Version	Date	Description of Changes/Notes
0.0.0	2020/8/10	



HR1001 protection:  
 Pin 6 Current sense.  
 Increase Freq; when Vcs>0.78V  
 IC stop; when Vcs>1.5V  
 Pin7 BO  
 BO>2.3V start to work  
 BO<1.81V stop to work.  
 Pin8 LATCH  
 IC latch off When the voltage on LATCH exceeds 1.85V, the IC shuts down and lowers its bias current to its near pre-startup level. LATCH is reset when the voltage on VCC is discharged below its UVLO threshold. Connect LATCH to GND if the function is not used

OTPI resistance

tmp	min	typ	max
90	0.7836	0.9050	1.0264
91	0.7633	0.8829	1.0025
92	0.7422	0.8597	0.9772
93	0.7205	0.8359	0.9513
94	0.6986	0.8117	0.9248
95	0.6765	0.7872	0.8979
96	0.6546	0.7628	0.8710
97	0.6328	0.7386	0.8444
98	0.6116	0.7149	0.8182
99	0.5909	0.6918	0.7927
100	0.5709	0.6694	0.7679



Harman	JBL IRX115 SUB SMPS & AMP
Product: IRX115 SUB	Size: A3
File Name: VE115SUB SMPS_20200602.SchDoc	Revision: 0.0
Status: DVT	Drawn By: Bill He
Lead Engineer: Enter Name	Checked By: Eric Li
Date: 2020/8/24	Mod Date: 2020/8/10
Time: 18:51:51	Approved By: Enter Name
	Sheet: 2 of 6

Bill of Materials			
Ref ID	Description	Qty	SKU
1	SVS 2100 AMP SILICON PAD 45~50° ADHESI K	4	
2	IRX115SUB JBL LOG ABS PA757 94HB BLACK K	1	
3	CHIP 1K OHM 100PPM +-1% 0603 WALS L	9	
4	IRX115SUB CABINET_MDF_VINYL F-1905-911 K	1	
5	CAP X7R .10UF 25V +-10% 0402 WALSIN L	4	
6	CAP X7R 2200P 16V +-10% 0402 WALSIN L	2	
7	CHIP 180K OHM 100PPM +-1% 0603 WALS L	1	
8	PHOTO 5V EL817S1(C)(T DIP EVERLI K	5	
9	IRX115SUB THERMAL PAD B_SILICONE H400 K	1	
10	TRANSF ±15V 100V 10P CLICK BCK1601-2 K	1	
11	IRX115SUB EVA_38 DEGREE_BLACK_ADHESIVE K	2	
12	CONNECTOR 2 P P:3.96 WHITE REMOVED PIN K	1	
13	BD FBMA-11-160808-601A10T 600 OHM 10 L	2	
14	CAP NPO 68PF 1KV +-5% 1206 WALSIN L	1	
15	IRX115SUB GRILLE SPCC NATRU COLOR K	1	
16	E 560UF 200V +-20% 22*40M KM.561M2D K	4	
17	CONTROL PC 1.6MM FR4 JBL IR 4L 94V- K	1	
18	CHIP 100K OHM 100PPM +-1% 1206 WALS L	2	
19	CAP NPO 680PF 50V +-5% 0603 WALSIN L	1	
20	CAP 4.7PF 50V +-.05PF 0402 NP WALSIN L	1	
21	VH-4Y-42 120MM 500MM 4PIN 3.96MM K	1	
22	CHIP 10 OHM 100PPM +-1% 1206 WALS L	4	
23	CAP X7R 1.0UF 50V +-10% 0603 WALSIN L	1	
24	OP NJM4580 SOP-8 JRC W	3	
25	CHIP 5.1K OHM 100PPM +-1% 0603 WALS L	3	
26	DESICCANT 100G\BAG L	2	
27	CAP X7R 1.0UF 6.3V +-10% 0603 WALSIN L	1	
28	IRX115SUB THERMAL PAD D_SILICONE H300 K	1	
29	IRX115SUB EVA_38 DEGREE_BLACK_ADHESIVE K	2	
30	CHIP 75 OHM 100PPM +-1% 0603 WALS L	2	
31	CHIP 4.7M OHM 100PPM +-1% 0603 WALS L	1	
32	CAP X5R 10UF 25V +-20% 0603 SAMSUN L	14	
33	CHIP 110K OHM 100PPM +-1% 0603 WALS L	1	
34	CHIP 4.7 OHM 100PPM +-1% 0603 WALS L	4	
35	CAP X5R 10UF 25V +-20% 0603 WALSIN L	2	
36	CAP X5R 4.7UF 25V +-10% 0603 WALSIN L	2	
37	CAP X7R 10UF 10V +-10% 0805 WALSIN L	1	
38	IRX115SUB THERMAL PAD C_SILICONE H300 K	1	
39	IRX115SUB AMP PL AL NATRU COLOR K	1	
40	CAP 10UF 6.3V +-20% 0603X5R WALSIN L	10	
41	CAP X7R .10UF 50V +-10% 0603 WALSIN L	10	
42	200V 1A ES1DL JSCJ K	11	
43	CHIP 2K OHM 200PPM +-5% 0402 WALS L	1	



44	SWITC 100V 150MA 1N4148WS TSC L	13	
45	CHIP 200K OHM 100PPM +-1% 0603 WALS L	2	
46	ZD 15V 500MW 5% LL34 PAN J K	2	
47	IRX115SUB HANDLE PC+ABS 94HB BLACK K	2	
48	CHIP 100 OHM 100PPM +-1% 0603 WALS L	2	
49	SMPS PCB 1.6MM FR4 JBL IR 4L 94V- K	1	
50	CHIP 0 OHM 200PPM +-5% 0603 WALS L	5	
51	SCREW M6.0XL35 1.0P ZINC NICKEL A K	3	
52	MCU STM32F030C8T6 LQFP48 ST K	1	
53	VR CA 10K B L:27.5MMF RPO9320NO K	1	
54	SCREW M4.0XL30 0.7P ZINC NICKEL A K	8	
55	CAP X7R .47UF 6.3V +-10% 0402 WALSIN L	1	
56	CHIP 2.2K OHM 100PPM +-1% 1206 WALS L	3	
57	DIODE 1000 1.0A M7 GOODA K	1	
58	CAP NPO 1000P 50V +-5% 0402 WALSIN L	12	
59	TEMP-OP LM358DR SO8 TI L	1	
60	CAP X7R 4700P 630V +-10% 0805 WALSIN L	2	
61	IRX115 HTSINK AL NATRU CLN K	1	
62	E 220UF 35V +-20% 8*10.5 LV221M035 K	3	
63	SCREW T4.0XL20 2.3P ZINC NICKEL A K	12	
64	CAP X7R 1000P 1KV +-10% 1206 WALSIN L	2	
65	IRX115SUB POLE MOUNT_AL_5003856 K	1	
66	CHIP 10K OHM 100PPM +-1% 1206 WALS L	9	
67	REG CJ78L05 SOT-89-3 JCET (J K	1	
68	PLS-DIP 0.068U 800V +-10% 1 MPG683K2 K	1	
69	CHIP 47K OHM 100PPM +-1% 0402 WALS L	1	
70	CHIP 75K OHM 100PPM +-1% 0603 WALS L	2	
71	CHIP 100 OHM 50PPM +-0.1% 0402 WALS L	1	
72	CHIP 47K OHM 100PPM +-1% 0402 YAGE L	2	
73	CHIP 49.9 OHM 100PPM +-1% 0603 WALS L	1	
74	7.8MH 15A 1KHZ DIP CLICK LC19-03 K	2	
75	CHIP 470K OHM 100PPM +-1% 0603 WALS L	3	
76	A500 PE BAG FOR STEEL PLATE K	1	
77	OP IRS2092STRPBF SOIC16N I.R. W	2	
78	DRIVE ASSY FOR 15IN SUBWOOFER 4OHM K	1	
79	CRYSTAL 12.288MH SMD32 TXC 7V1 220 K	1	
80	CAP NPO 100PF 50V +-5% 0402 WALSIN L	8	
81	PLS-DIP 0.47UF 275V +-10% 1 MP2474K3 K	2	
82	WRAP TAPE 0.02MMX450MMX340M L	0.052rol	
83	CHIP 4.7 OHM 100PPM +-1% 0805 WALS L	4	
84	CHIP 1.5M OHM 100PPM +-1% 0805 WALS L	3	
85	ZD 15V 200MW ±5% SMD TSC ( K	1	
86	IRX115 CORNER PAD_TUBE PAPER+KRAFT PAP K	4	
87	DC DC CVT SCT2220TVB TSOT23-6 SILICON K	1	
88	NMOS 60 V 2N7002DW-7-F SC-88( DIODES K	1	

89	SW 15IN PAPER FE ST BT 4O K	1	
90	CONNECTOR 2PIN P3.96 CI5202P1V00 CVILU K	1	
91	150V 8A V8PA15-M3I VISHA K	4	
92	NTC 10K OHM 1% 0402 NCP15XH103F03RC L	2	
93	SCREW M5.0XL25 0.8P ZINC NICKEL A K	8	
94	CHIP 100K OHM 50PPM +-1% 0402 WALS L	5	
95	CONNECTOR 4 PIN 3.96MM WHITE K	1	
96	NYLON MESH WHITE OD60X0.5T K	1	
97	CHIP 180 OHM 100PPM +-1% 0402 WALS L	4	
98	CHIP BD 600 OHM 25% 100MHZ SMD 0603 K	12	
99	CHIP 20K OHM 100PPM +-1% 0603 WALS L	1	
100	CHIP 12K OHM 100PPM +-1% 0603 WALS L	4	
101	IRX115SUB HANDLE PC+ABS 94HB BLACK K	2	
102	CAP X5R 2.2UF 25V +-10% 0603 SAMSUN L	6	
103	CAP X5R 10UF 25V +-10% 0805 WALSIN L	1	
104	CHIP 1.8K OHM 100PPM +-1% 0603 WALS L	2	
105	VH-3Y-103 60MM+40MM 2PIN 3.96MM K	1	
106	IRX115SUB INSULATOR SHEET GREY K	1	
107	CAP NPO 330PF 50V +-5% 0402 WALSIN L	1	
108	E 22UF 25V +-20% 5*5.5 LV220M025 K	2	
109	CHIP 100 OHM 100PPM +-1% 0805 WALS L	2	
110	CHIP 0 OHM 200PPM +-5% 0805 WALS L	1	
111	CHIP 20 OHM 100PPM +-1% 0805 WALS L	2	
112	SCREW T4.0XL20 2.3P ZINC NICKEL A K	16	
113	IRX115 HTSINK AL NATRU CLN K	1	
114	CAP X5R .22UF 25V +-10% 0402 WALSIN L	1	
115	SP CAP 1UF 100V +-5% C242A105J2S K	2	
116	CHIP 33K OHM 100PPM +-1% 0402 WALS L	1	
117	CAP X7R .01UF 16V +-10% 0402 WALSIN L	1	
118	SILICONE GLUE SLD-8854 L	30ml	
119	ZD 3.6V 250MW +-5% SOT-23 NXP L	1	
120	CHIP 3.9K OHM 100PPM +-1% 0402 WALS L	4	
121	CHIP 330K OHM 100PPM +-1% 0603 WALS L	6	
122	CHIP 1.5K OHM 100PPM +-1% 0402 WALS L	8	
123	CHIP 39K OHM 100PPM +-1% 0603 WALS L	2	
124	2.54-2X10A-13 2.54MM 2X10PIN K	1	
125	CHIP 15K OHM 100PPM +-1% 0603 WALS L	2	
126	G-OPP TAPE W60MMXL60YD 100RL/BOX L	0.076R	
127	NMOS 100V HGN170N10AL SMD HUNTEC K	4	
128	CHIP 47 OHM 100PPM +-1% 0805 WALS L	1	
129	CAP .10UF 250V +-10% 0805X7T TDK L	8	
130	REG TL431G-AE3-R SOT-23 UTC K	3	
131	CONNECTOR 2.54MM 2X10PIN 250V 3A DIP 1 K	1	
132	CAP NPO 100PF 250V +-5% 0805 WALSIN L	2	
133	CHIP 3M OHM 100PPM +-1% 0603 WALS L	2	

134	CHIP 1.2K OHM 100PPM +-1% 0603 WALS L	1	
135	PE BAG L300XW150XTO.038 BLACK PRINTING K	1	
136	IRX115SUB LENS S PC 94HB MILK K	1	
137	REG CJ79L05 SOT-89-3 JCET (J K	1	
138	BLANK LABEL FOR JMJ BARCOD _L45XW10 K	1	
139	IRX115 CARTON BOX_BC FLUTE_K999K_BLACK K	1	
140	HD PIN 3P P2.54*H11.6MM K	2	
141	SWITC 100V 215MA BAV70 NXP K	1	
142	CABLE POWER 3P US ALL BLACK K	1	IRX115SUB-US
143	CABLE POWER 3P BRI ALL BLACK K	1	IRX115SUB-EK
144	CABLE POWER 3P CCC KH750 BLACK K	1	IRX115SUB-CN
145	CABLE POWER 3P AUS ALL BLACK K	1	IRX115SUB-AU
146	IRX115 HTSINK AL NATRU CLN K	1	
147	CHIP 20 OHM 100PPM +-1% 1206 WALS L	4	
148	CAP NPO 470PF 250V +-5% 0805 YAGEO L	4	
149	CHIP 470 OHM 100PPM +-1% 0402 WALS L	1	
150	NMOS 60V 2N7002 SOT23 UTC L	2	
151	NMOS 650V LSE65R125HT TO263( LONTEN K	2	
152	G-SOLDER WIRE 1.6MM L	0.0003	
153	CHIP 4.7K OHM 100PPM +-1% 0603 WALS L	2	
154	CAP X5R 2.2UF 16V +-10% 0402 MURATA L	1	
155	DRIVER LABEL FOR T911600012420 38X13MM L	1	
156	CHIP 1.5K OHM 100PPM +-1% 0603 WALS L	2	
157	CHIP 27K OHM 100PPM +-1% 0603 WALS L	1	
158	TRANSF ±40V 90-2 16P CLICK BCK4001-8 W	1	
159	NUT M4XOD8.0XH4.1 0.7P STEEL NI ELECTR K	1	
160	CAP NPO 6.8PF 50V +-.25PF 0603 WALSIN L	1	
161	NON WVE BAG WHITE L110XW80XH0.25MM K	2	
162	BAR CODE FOR T911600012420 30X9MM L	1	
163	E 2200U 50V +-20% 16X35. KM222M050 K	4	
164	PNP 40V MMDT3906 SC-88( PANJIT K	2	
165	PLYWOOD PALLET E1 K	0.25	
166	ACCESSORY ASSY FOR IRX115SUB UK K	1	
167	CHIP 3.6K OHM 100PPM +-1% 0402 WALS L	4	
168	CHIP 100K OHM 100PPM +-1% 0402 WALS L	1	
169	CHIP 1K OHM 50PPM +-1% 0402 WALS L	1	
170	SCREW T3*10MM 1.06P ZN+NI+HT BLA K	8	
171	CAUTION LABEL FASSON AW5209 PRINTING R K	1	
172	CAP NPO 220PF 500V +-5% 0805 WALSIN L	2	
173	FUSE DIP FUSE 250V 5A 8X8.5 39215 K	1	
174	E 22UF 50V +-20% 6.3X5. CK1H220M- K	1	
175	CHIP 68K OHM 100PPM +-1% 0603 WALS L	2	
176	CABLE 1P UL1015 80MM GREEN+YELLOW K	1	
177	E 100UF 25V +-20% 6.3*7. DV101M025 K	2	
178	CHIP 2.4K OHM 100PPM +-1% 0603 WALS L	2	

179	IRX115SUB LENS P PC 94HB MILK K	1	
180	CAP X7R 220PF 50V +-10% 0402 WALSIN L	4	
181	CHIP 1M OHM 100PPM +-1% 0603 WALS L	3	
182	CAP X7R .047U 50V +-10% 0603 WALSIN L	1	
183	PLS-DIP 0.001U 400V +-20% W 102M40AA K	3	
184	CHIP 68 OHM 100PPM +-1% 0805 WALS L	6	
185	JBL IRX115 SUB AMPLIFIER 220V ASSY K	1	IRX115SUB-EK/AU
186	JBL IRX115 SUB AMPLIFIER ASSY K IRX115SUB-US	1	IRX115SUB-US
187	JBL IRX115 SUB AMPLIFIER ASSY K IRX115SUB-CN	1	IRX115SUB-CN
188	MOV 350VA TVR14561KSY DIP TKS K	1	
189	PNP 40V LM3906LT1G SOT23 LRC L	1	
190	IRX115SUB EVA_38 DEGREE_BLACK_ADHESIVE K	2	
191	IRX115SUB WADDING_FR-W0025_BLACK_20KG\ K	1	
192	CHIP 30.1K OHM 100PPM +-1% 1206 WALS L	2	
193	PLUG 250VA 10A NA LEC1 K	1	
194	CAP X5R 1.0UF 25V +-10% 0402 SAMSUN L	5	
195	IRX115 BAG_LDPE_BLACK PRINTING K	1	
196	NPN 40V LM3904LT1G SOT23 LRC L	5	
197	CAP NPO 470PF 50V +-5% 0402 WALSIN L	4	
198	CHIP 3.3K OHM 100PPM +-1% 0603 WALS L	3	
199	BLANK LABEL EON ONE BOX L	1	
200	PACKING ASSY FOR IRX115SUB BLACK K	1	
201	G-LABEL BLANK L30XW9 L	1	
202	DIODE 1000 0.8A RS1ML TSC K	1	
203	EPE CUSHION_25KG\M³ EPE+CARDBOARD K	2	
204	CHIP 100K OHM 200PPM +-5% 0603 WALS L	2	
205	IRX115SUB EVA 2_38 DEGREE_BLACK_ADHESI K	2	
206	CHIP 470 OHM 100PPM +-1% 0603 WALS L	1	
207	CHIP 390 OHM 100PPM +-1% 0603 WALS L	1	
208	CHIP 13K OHM 100PPM +-1% 0603 WALS L	1	
209	CAP X5R 4.7UF 6.3V +-20% 0402 WALSIN L	8	
210	IRX115SUB WADDING_FR-W0025_BLACK_20KG\ K	1	
211	800V 8A GBU8K-BP M.C.C K	1	
212	A\D D\A ADAU1761BCPZ- LFCSP 32 ADI (AN K	1	
213	G-PP BAND YELLOW 11G/M L	7.34	
214	CHIP 49.9K OHM 100PPM +-1% 1206 WALS L	4	
215	E 100UF 6.3V +-20% 5X5.4M CKOJ101M- K	1	
216	CHIP 4.7K OHM 100PPM +-1% 0805 WALS L	1	
217	BOSE T4&T8 BLANK SN LABEL K	1	
218	CHIP 511K OHM 100PPM +-1% 0603 WALS L	2	
219	LED Y 590 0603 L-C191JYCT PARA LIG K	3	
220	CAP X7R 1.0UF 25V +-10% 0805 WALSIN L	1	
221	IRX115SUB EVA_38 DEGREE_BLACK K	1	
222	CAP NPO 15PF 500V +-5% 1206 WALSIN L	1	
223	CHIP 8.2K OHM 100PPM +-1% 0603 WALS L	4	

224	BUTYL TAPE DIA 9.0 (2.5M/1RL) K	0.03	
225	IRX115SUB EVA_38 DEGREE_BLACK_ADHESI K	2	
226	CHIP 2.2K OHM 100PPM +-1% 0402 WALS L	2	
227	NUT M3.0X0.5PXOD5.5XL2.3 NICKEL PLATE K	4	
228	SWITC 30V 0.2A BAT54-7-F DIODE K	1	
229	CHIP 10K OHM 100PPM +-1% 0402 WALS L	23	
230	CHIP 30K OHM 100PPM +-1% 0603 WALS L	1	
231	CHIP 22K OHM 100PPM +-1% 0603 WALS L	7	
232	CHIP 6.8K OHM 100PPM +-1% 0603 WALS L	2	
233	CHIP 820K OHM 100PPM +-1% 1206 WALS L	1	
234	IRX115SUB EVA_38 DEGREE_Black_ADHESIVE K	2	
235	NPN 40V MMDT3904 SC-88( PANJIT K	3	
236	IRX 115SUB KNOB ABS PA757 94HB BLACK K	1	
237	CHIP 100K OHM 100PPM +-1% 0603 WALS L	9	
238	MILDEW PREVENTIVE 100G/BAG L	2	
239	IRX115SUB EVA_38 DEGREE_Black K	1	
240	LED RED 1.6X0.19-213\R6SC- EVERLIGH L	1	
241	CHIP 10 OHM 200PPM +-1% 0603 WALS L	1	
242	SCREW M3.0XL8 0.5P STEEL BLUE ZI K	16	
243	E 22UF 16V +-20% 4X5.4M CK1C220M- K	4	
244	CHIP 750K OHM 100PPM +-5% 1206 WALS L	4	
245	SCREW T4.0XL15 2.3P ZINC NICKEL A K	12	
246	CHIP 1M OHM 100PPM +-1% 0805 WALS L	2	
247	TACT SWITCH 50MA 12VDC KFC-801B-1.6-M K	3	
248	SILICON GRSE SLD-746 K	0.15G	
249	CAP X7R .10UF 50V +-10% 0402 WALSIN L	47	
250	REG HF500GS-15-Z SOIC8-7B MPS (MO K	1	
251	XLR CONNECTORS 6P NCJ6FAV-0 K	2	
252	IRX115SUB EVA_38 DEGREE_Black K	4	
253	CHIP 330 OHM 100PPM +-1% 0603 WALS L	1	
254	CHIP 51 OHM 100PPM +-1% 0603 WALS L	2	
255	CAP X7R 8200P 100V +-10% 0603 WALSIN L	1	
256	IRX115SUB EVA_38 DEGREE_Black K	1	
257	LED 525 0603 19-217\GHC-Y EVERLIGH K	3	
258	SCREW M6.0XL8 1.0P FE L	6	
259	15UH 18A 1KHZ DIP CODACA CPD1715 K	2	
260	SP HR1001AGS SOIC-16 MPS K	1	
261	IRX115SUB CARTON LABEL ASSY K	1	
262	CHIP 220 OHM 100PPM +-1% 0402 WALS L	7	
263	PMOS -50V BSS84-7-F SOT23 DIODES K	3	
264	MAIN ASSY FOR IRX115SUB BLACK K	1	
265	IRX115SUB EVA_38 DEGREE_Black K	1	
266	22UH 4A 100K SMD CODACA CSAB074 K	1	
267	CHIP 2.2K OHM 100PPM +-1% 0603 WALS L	3	
268	CHIP 0 OHM 0 OHM 0 OHM 0603 WALS L	7	

269	1.5NH 0.3A 100M SMD MT TF16080 K	1	
270	IRX115SUB BUTTON ABS PA757 94HB BLACK K	1	
271	XLR CONNECTORS 3P NC3MAAV W	2	
272	CHIP 10K OHM 100PPM +-1% 0603 WALS L	26	
273	IRX115SUB SN LABEL ASSY K	1	
274	CAP X7R .10UF 100V +-10% 0603 MURATA L	2	
275	JBL IRX115SUB SMPS PCBA(DIP) ASSY K	1	
276	JBL IRX115SUB SMPS PCBA(SMT) ASSY K	1	
277	IRX115SUB EVA_38 DEGREE_BLACK K	2	
278	CHIP 120 OHM 100PPM +-1% 1206 WALS L	2	
279	CAP X7R 1000P 50V +-10% 0402 WALSIN L	1	
280	SWITC 70V 200MA BAV99 TSC K	4	
281	CAP X5R 22UF 10V +-20% 0603 WALSIN L	8	
282	CORNER PAD YARN TUBE PAPER L5XW2XT0.5 L	2	
283	ZD 12V 400MW 2% SOD-32 PAN J K	3	
284	CAP NPO 22PF 50V +-5% 0402 WALSIN L	2	
285	JBL IRX115SUB CONTROL PCBA(DIP) ASSY K	1	
286	JBL IRX115SUB CONTROL PCBA(SMT) ASSY K	1	
287	NPN 45V LBC847BLT1G SOT23 LRC K	1	
288	IRX115SUB EVA_38 DEGREE_BLACK_ADHESIVE K	1	
289	CHIP 5.1M OHM 100PPM +-1% 1206 WALS L	2	
290	CAP X7R .022U 16V +-10% 0402 WALSIN L	1	
291	CAP NPO 15PF 50V +-5% 0603 WALSIN L	2	
292	CAP X7R 3300P 50V +-10% 0402 WALSIN L	2	
293	CAP NPO 100PF 50V +-5% 0805 WALSIN L	1	
294	IRX115SUB EVA_38 DEGREE_BLACK K	1	
295	17UH N/A 1KHZ DIP SUNSHI F0490 K	1	
296	G-BLANK LABEL L38XW13 L	1	
297	CAP NPO 680PF 50V +-5% 0402 WALSIN L	9	
298	IRX115SUB SILICON FEET_353445B K	4	
299	PMOS -20V AP2301GN SOT23 ADVANCED L	1	
300	NTC THERMISTOR RESISTOR MF72 5D13 RES3 K	1	
301	CHIP 100 OHM 100PPM +-1% 0402 WALS L	50	
302	G-CARTON PAD STAMPING PAPER K	2	
303	OP TP2412-TSR 8-PIN TS 3PK K	2	
304	CHIP 8.2K OHM 100PPM +-1% 1206 WALS L	2	