

# Technical Manual

# JBL LSR28P/230



## SPECIFICATIONS

### ACOUSTIC & ELECTRICAL SPECIFICATIONS:

- Nominal Impedance: 4 ohm
- Power Consumption: 220W, (IEC 265)
- Power Capacity: HF 100W, LF 250W
- Frequency Response: 50 Hz – 20 kHz (+1, -1.5)
- Sensitivity (XLR Input): +4dB, 96dB, @ 1 Meter  
(1/4" Input): -10dB, 96dB, @ 1 Meter  
(All DIP Switches Set Off) +4dBu Signal
- Crossover Frequency: 1.7 kHz

### SYSTEM COMPONENTS:

- Cabinet: (Not For Sale)
- Low Frequency Transducer: 203mm (8 in.) Cone Transducer (218F-1),(218F-2)
- DC Resistance: 1.8 ohm ± 10%

- High Frequency Transducer: 25mm (1 in.) Diaphragm (053Ti)
- DC Resistance: 3.5 ohm – 3.8 ohm

### AURAL SWEEP TEST SPECIFICATIONS: (XLR Input All DIP Switches Set Off)

- A. System Aural Sweep Test: 1.5V Input, 20 Hz to 30 kHz
- B. L.F. Aural Sweep Test: 7.0V Input, 20 Hz to 5 kHz
- C. H.F. Aural Sweep Test: 1.5V Input, 200 Hz to 20 kHz

### PHYSICAL SPECIFICATIONS:

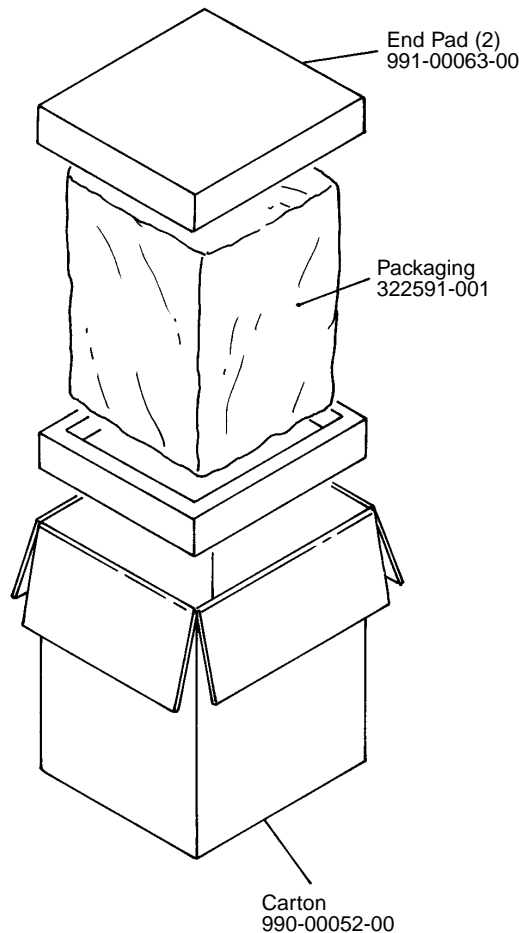
- Enclosure Dimensions: 406mm x 330mm x 324mm D (16.0 x 13.0 x 12.75 in. D)
- Net Weight: 45 lbs. (20.5 kg.)

### WARRANTY INFORMATION:

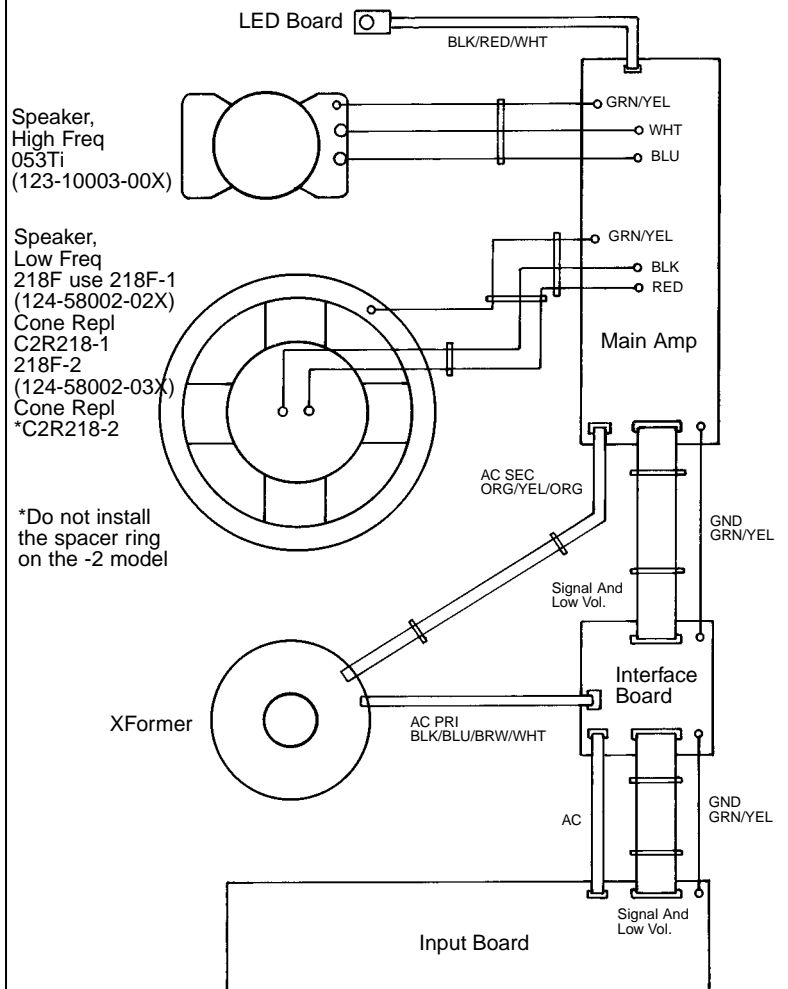
- Refer to Warranty Statement packed with each product.

## PACKAGE

Warranty 59660  
Specification Sheet  
981-00047-00  
Cord, PWR  
321101-001  
Dessicant 53688



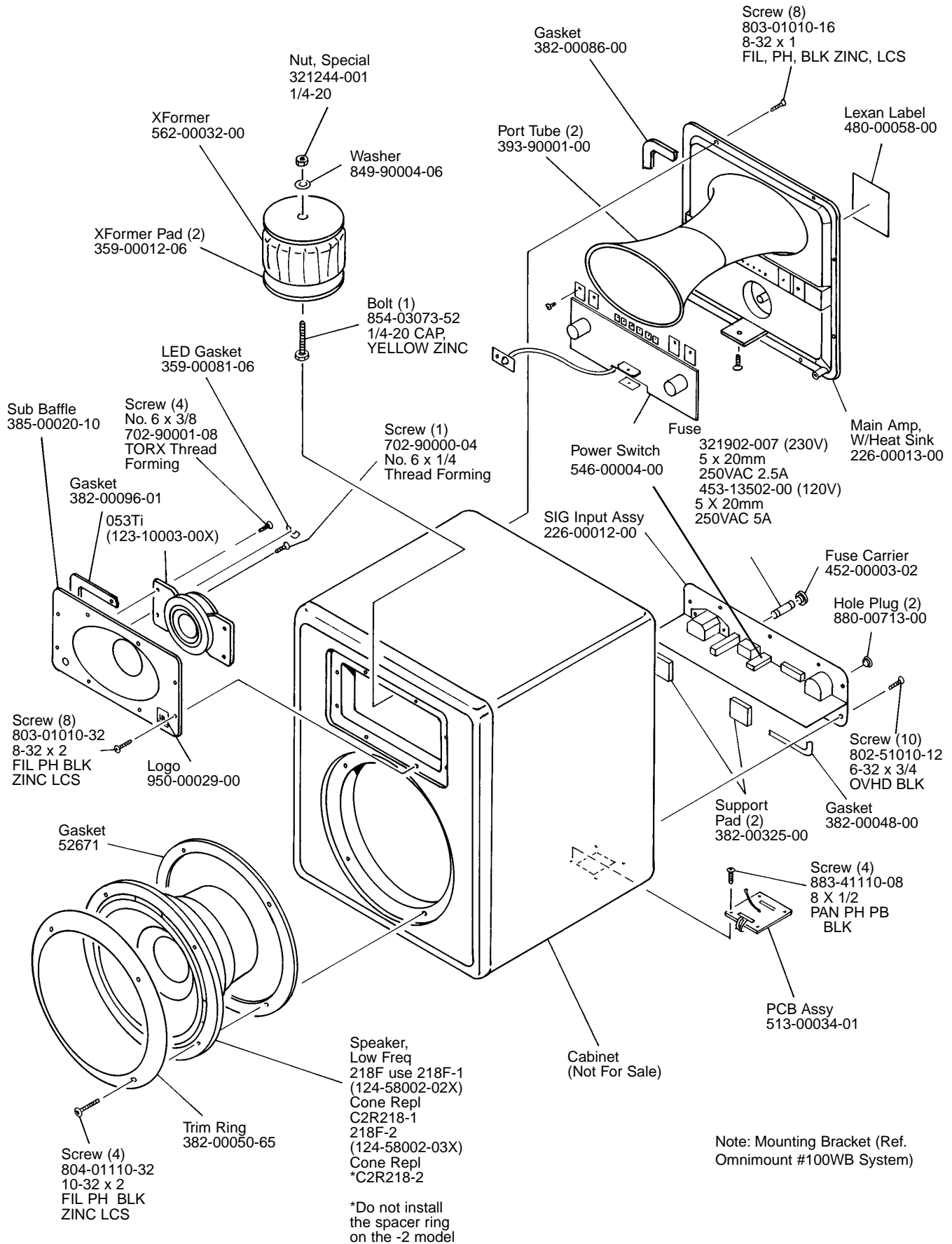
## WIRING DIAGRAM



JBL LSR28P/230 REV T

# JBL LSR28P/230

## COMPONENT EXPLODED VIEW



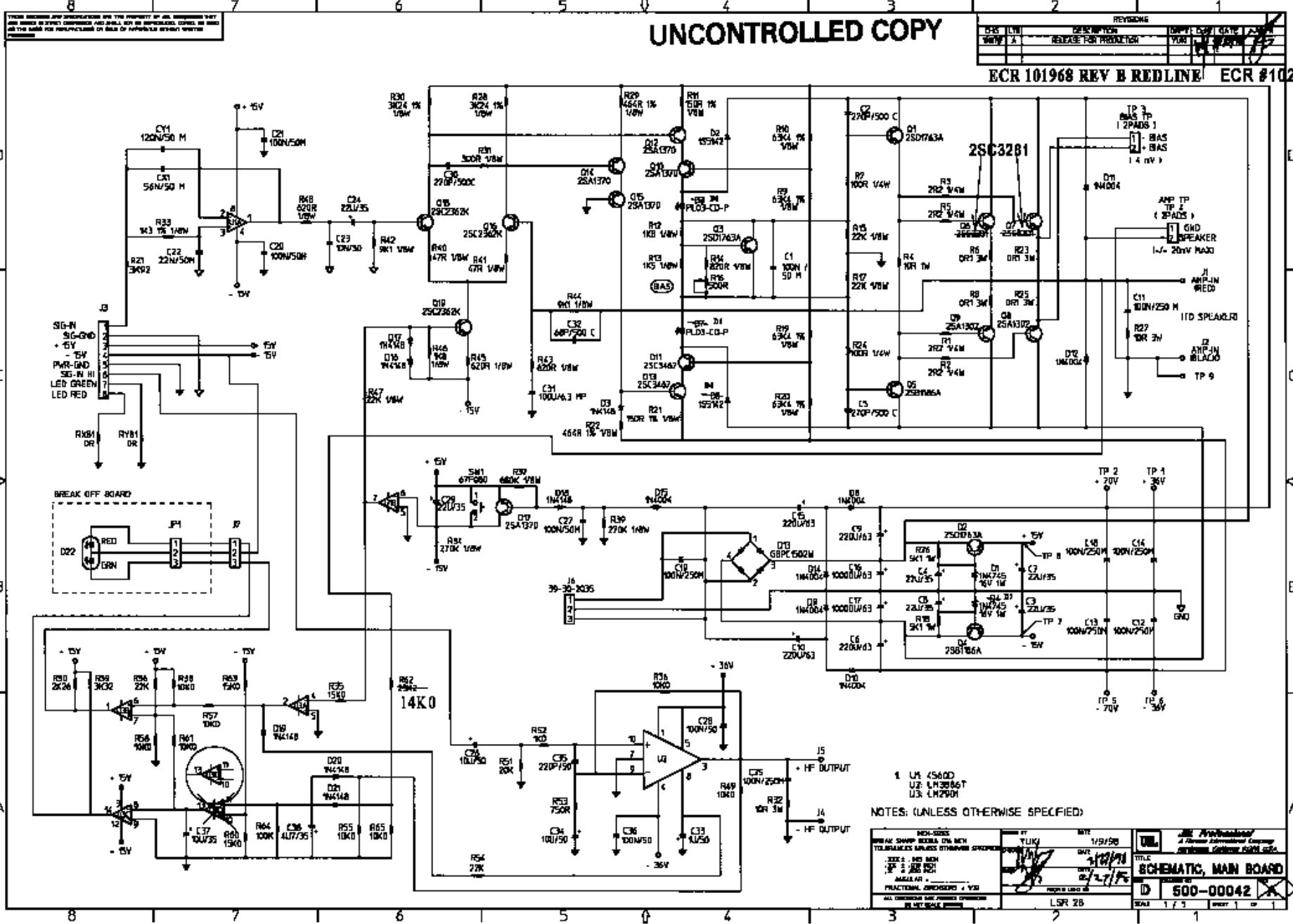
Note: Mounting Bracket (Ref. Omnimount #100WB System)

# JBL LSR28P

UNCONTROLLED COPY

REVISIONS			
CHK	LN	DESCRIPTION	DATE
1000	A	RELEASE FOR PRODUCTION	1/19/90

ECR 101968 REV B REDLINE ECR #102214 REV C



U1 4540D  
U2 LM3886T  
U3 LM2901  
NOTES: (UNLESS OTHERWISE SPECIFIED)

REVISIONS 1/19/90 DATE 1/19/90 BY 1/19/90 CHECKED BY 1/19/90 TITLE SCHEMATIC, MAIN BOARD D 500-00042	JBL JBL Audio Products 4 Green Industrial Estate Cambridge, Ontario, CANADA
--	--