

Technical Manual

JBL MP215

SPECIFICATIONS



ACOUSTIC & ELECTRICAL SPECIFICATIONS:

- Nominal Impedance: 8 ohms
- Power Capacity: 250W (IEC Filtered Noise, 100 Hours)
- Frequency Range: 45 Hz – 16 kHz (-10dB)
- Sensitivity: 99 dB SPL, 1 Watt @ 1 Meter
- Crossover Frequency: 1.7 kHz

SYSTEM COMPONENTS:

- Cabinet: Enclosure MP215
- Grille: 128-00426-01
- Low Frequency Transducer: 380mm (15 in.) M115-8A Transducer (124-67001-01X)
- DC Resistance: 5.3 ohms
- High Frequency Transducer: 2412H 1in. Compression Driver (125-10000-00X)
- DC Resistance: 3.6 ohms

SYSTEM COMPONENTS: (Cont'd)

- Crossover Network: 336836-001

AURAL SWEEP TEST SPECIFICATIONS:

- A. System Aural Sweep Test: 7.0V Input, 20 Hz to 20 kHz
- B. L.F. Aural Sweep Test: 7.0V Input, 20 Hz to 1.2 kHz
- C. H.F. Aural Sweep Test: 2.83V Input, 550 kHz to 20 kHz

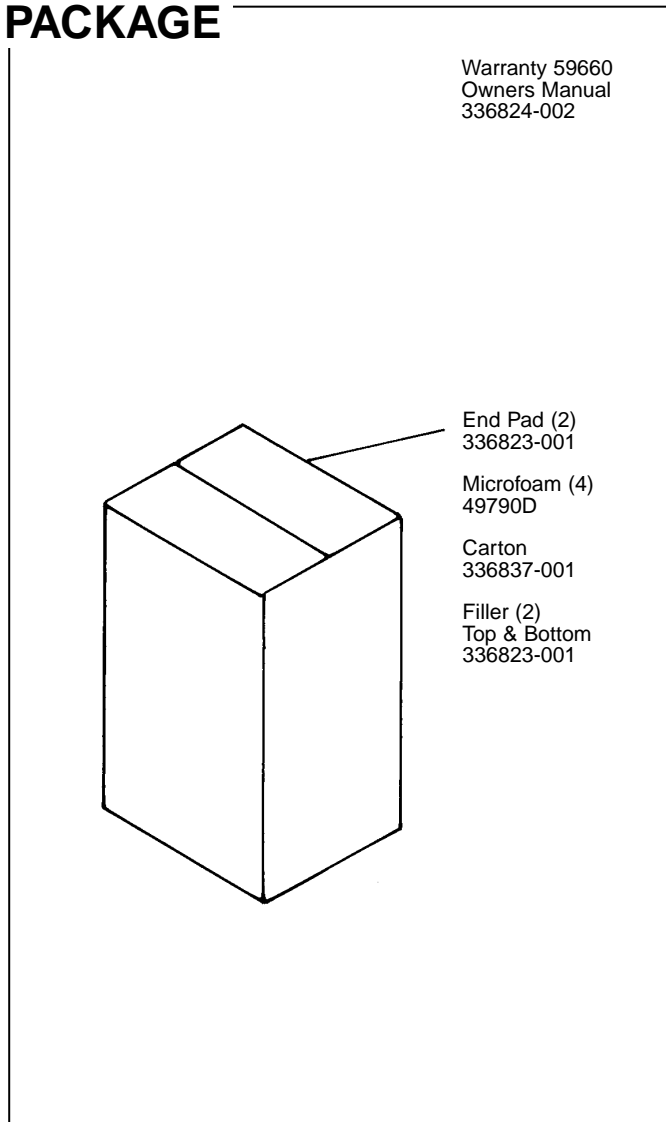
PHYSICAL SPECIFICATIONS:

- Enclosure Dimensions: 709.4mm x 466.3mm x 347.1mm D (28.46 x 18.36 x 13.67 in. D)
- Net Weight: 49 lbs. (22.2 kg.)

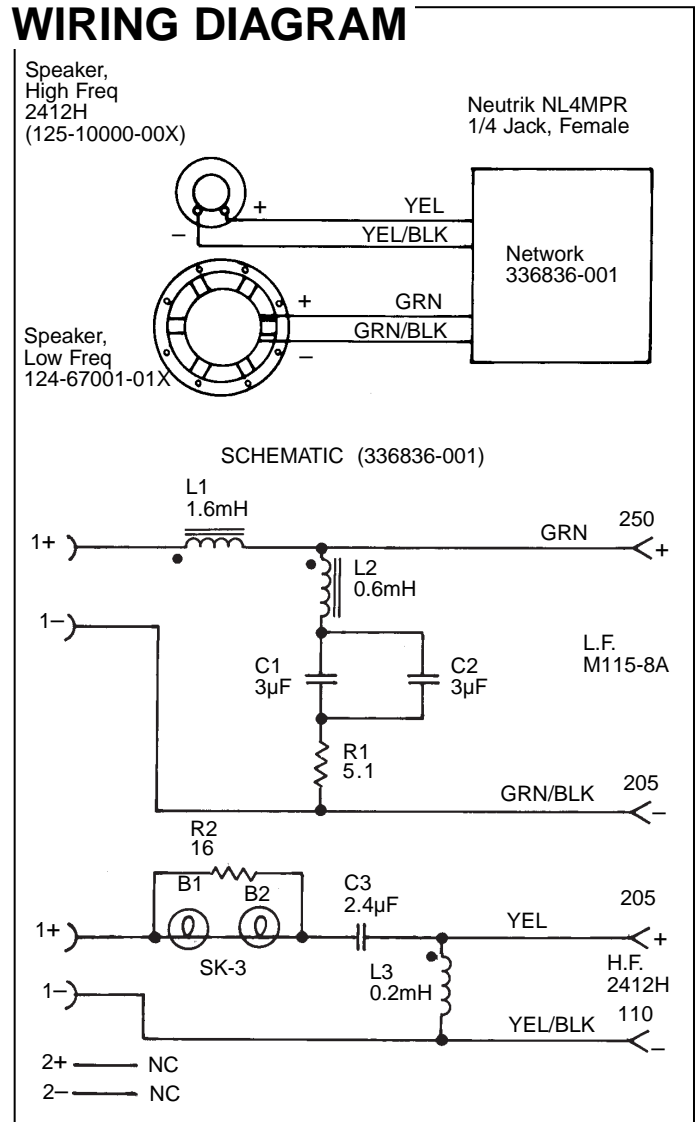
WARRANTY INFORMATION:

- Refer to Warranty Statement packed with each product.

PACKAGE



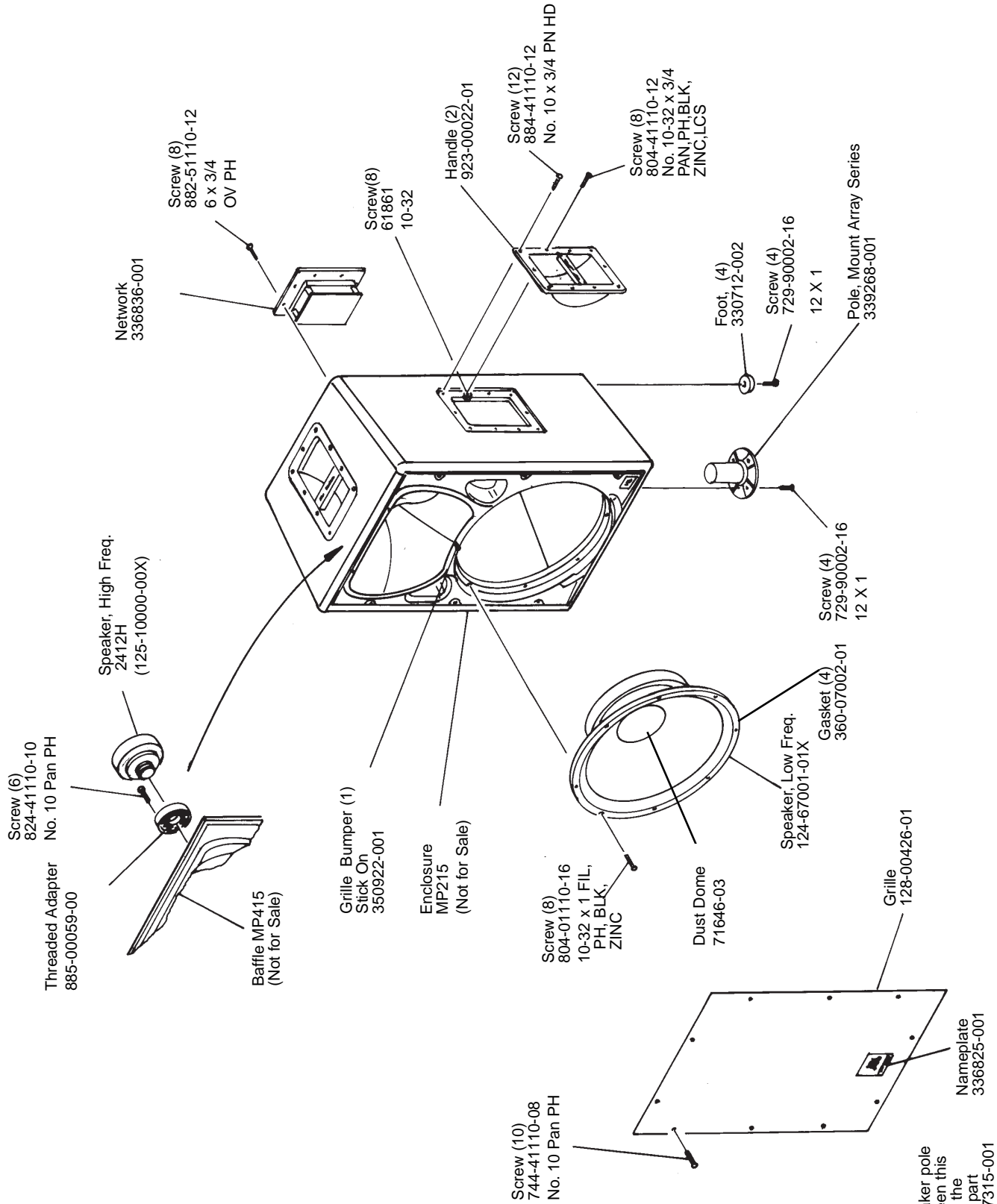
WIRING DIAGRAM



JBL MP215 REV Q

JBL MP215

COMPONENT EXPLODED VIEW



Note: Speaker pole used between this model and the MP255S is part number 337315-001