

Technical Manual

JBL MR905



SPECIFICATIONS

ACOUSTIC & ELECTRICAL SPECIFICATIONS:

- Nominal Impedance: 8 ohm
- Power Capacity: Continuous Pink Noise: 350W
Peak Pink Noise: 1000W
- Frequency Range: 55 Hz to 17 kHz (-10dB)
- Sensitivity: 101 dB SPL*
- Crossover Frequency: 1.5 kHz

SYSTEM COMPONENTS:

- Cabinet: CMR905
- Grille: (330582-001)
- Low Frequency Transducer: 380mm (15 in.) Cone Transducer 2032H (318219-001X)
- DC Resistance: 4.25 ohm \pm 10% Aluminum Wire

SYSTEM COMPONENTS: (cont'd)

- High Frequency Transducer: 25mm (1 in.) Pure Titanium Compression Driver 2418H
- DC Resistance: 3.2 ohm \pm 8% Aluminum Wire
- Crossover Network: (330600-001)

AURAL SWEEP TEST SPECIFICATIONS:

- A. System Aural Sweep Test: 7.0V Input, 20 Hz to 20 kHz
- B. L.F. Aural Sweep Test: 7.0V Input, 20 Hz to 1.2 kHz
- C. H.F. Aural Sweep Test: 2.83V Input, 550 Hz to 20 kHz

PHYSICAL SPECIFICATIONS:

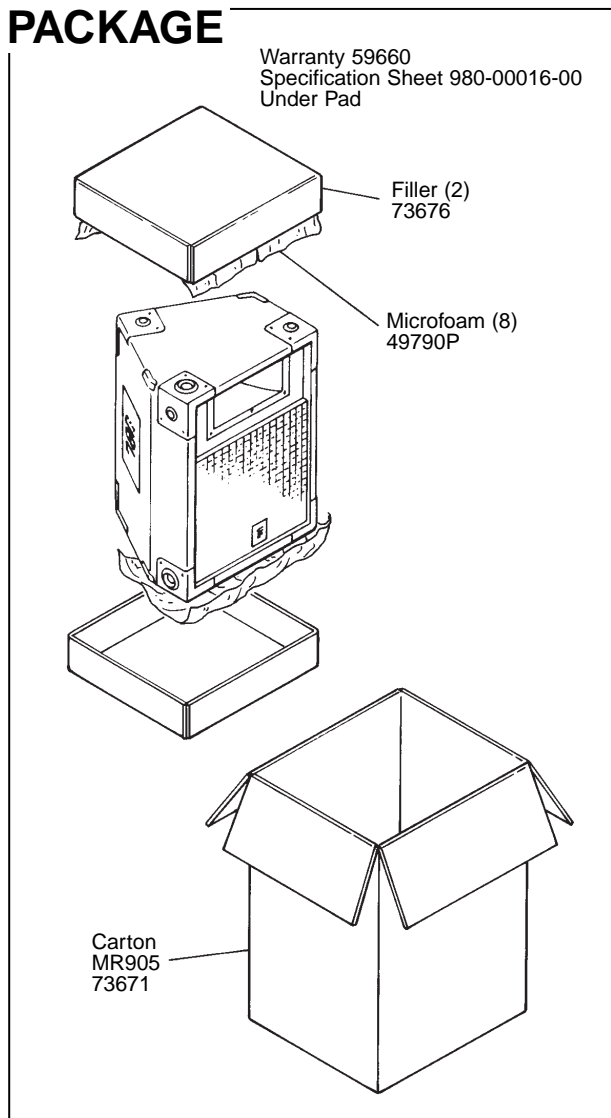
- Enclosure Dimensions: 508mm x 667mm x 432mm D (20.0 x 26.25 x 17.0 in. D)
- Shipping Weight: 74 lbs. (33.7 kg.)

WARRANTY INFORMATION:

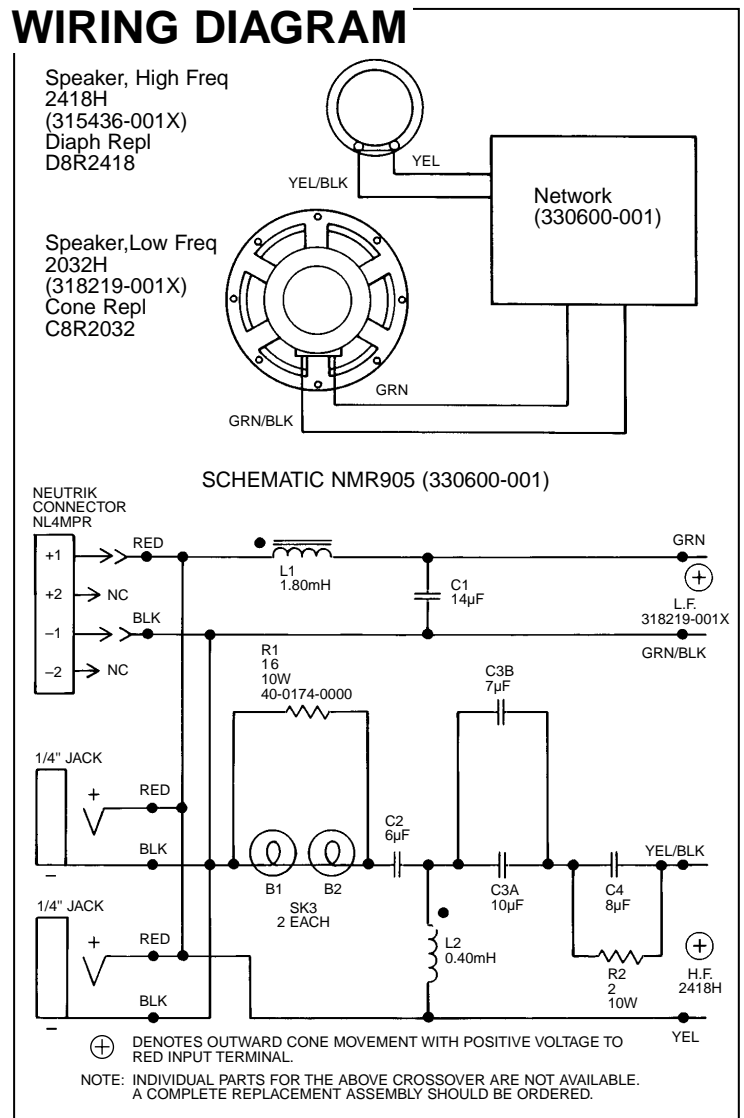
- Refer to Warranty Statement packed with each product.

*1 Watt (2.83 V RMS) @ 1 Meter

PACKAGE



WIRING DIAGRAM



JBL MR905 REV J

JBL MR905

COMPONENT EXPLODED VIEW

