

# Technical Manual

# JBL MR922

## SPECIFICATIONS



### ACOUSTIC & ELECTRICAL SPECIFICATIONS:

- Nominal Impedance: 8 ohm
- Power Capacity: Continuous Pink Noise: 250W  
Peak Pink Noise: 1000W
- Frequency Range: 60 Hz to 17 kHz ( $\pm 10$ dB)
- Sensitivity: 100 dB SPL\*
- Crossover Frequency: 2 kHz

### SYSTEM COMPONENTS:

- Cabinet: CMR922
- Grille: (128-00103-00)
- Low Frequency Transducer: 300mm (12 in.) Cone Transducer 2022H (72778-01X)
- DC Resistance: 4.65 ohm  $\pm 10\%$  Aluminum Wire

### SYSTEM COMPONENTS: (cont'd)

- High Frequency Transducer: 25mm (1 in.) Pure Titanium Compression Driver 2418H
- DC Resistance: 3.2 ohm  $\pm 8\%$  Aluminum Wire
- Crossover Network: (330599-001)

### AURAL SWEEP TEST SPECIFICATIONS:

- A. System Aural Sweep Test: 7.0V Input, 20 Hz to 20 kHz
- B. L.F. Aural Sweep Test: 7.0V Input, 20 Hz to 1.2 kHz
- C. H.F. Aural Sweep Test: 2.83V Input, 550 Hz to 20 kHz

### PHYSICAL SPECIFICATIONS:

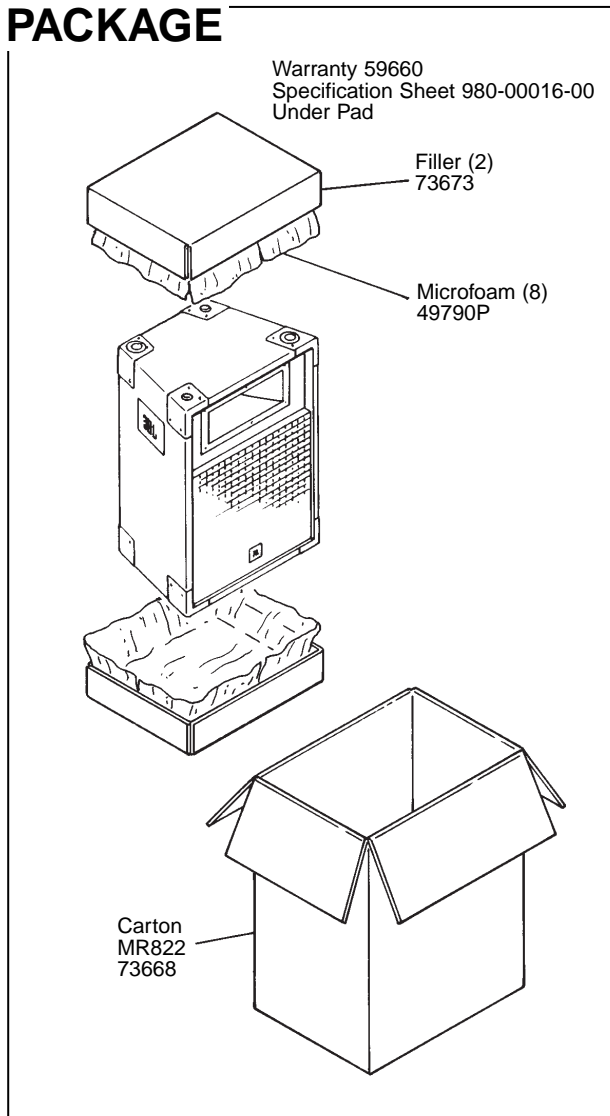
- Enclosure Dimensions: 590mm x 432mm x 279mm D (23.25 x 17.0 x 11.0 in. D)
- Shipping Weight: 53 lbs. (24 kg.)

### WARRANTY INFORMATION:

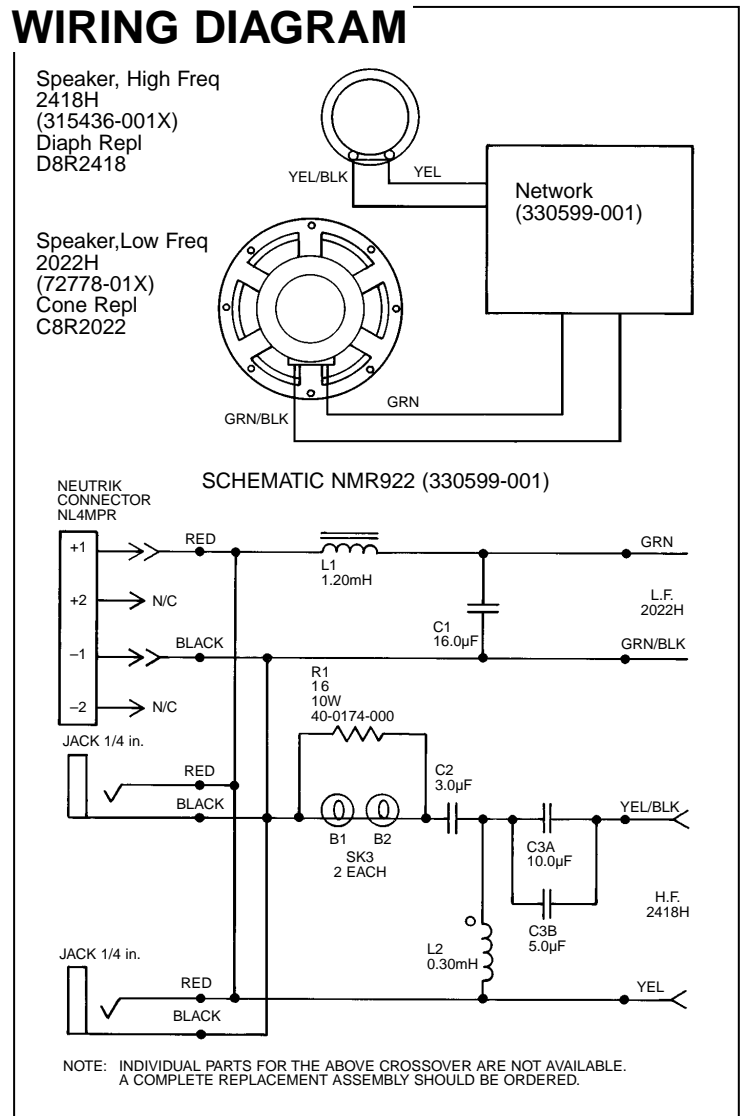
- Refer to Warranty Statement packed with each product.

\*1 Watt (2.83 V RMS) @ 1 Meter

## PACKAGE



## WIRING DIAGRAM



JBL MR922 REV J

# JBL MR922

## COMPONENT EXPLODED VIEW

