

Technical Manual

JBL MR935



SPECIFICATIONS

ACOUSTIC & ELECTRICAL SPECIFICATIONS:

- Nominal Impedance: 8 ohm
- Power Capacity: Continuous Pink Noise: 350W
Peak Pink Noise: 1000W
- Frequency Range: 38 Hz to 18 kHz (-10dB)
- Sensitivity: 100 dB SPL*
- Crossover Frequencies: 600 Hz, 2.2 kHz

SYSTEM COMPONENTS:

- Cabinet: CMR935
- Grille: (330619-001)
- Low Frequency Transducer: 380mm (15 in.) Cone Transducer 2032H (318219-001X)
- DC Resistance: 4.25 ohm \pm 10% Aluminum Wire
- Mid Frequency Transducer: 200mm (8 in.) Cone Transducer (M209-8A) (124-28000-02X)
- DC Resistance: 5.3 ohm \pm 10% Copper Wire

*1 Watt (2.83 V RMS) @ 1 Meter

SYSTEM COMPONENTS: (cont'd)

- High Frequency Transducer: 25mm (1 in.) Pure Titanium Compression Driver 2418H
- DC Resistance: 3.2 ohm \pm 8% Aluminum Wire
- Crossover Network: (129-30001-00)

AURAL SWEEP TEST SPECIFICATIONS:

- A. System Aural Sweep Test: 7.0V Input, 20 Hz to 20 kHz
- B. L.F. Aural Sweep Test: 7.0V Input, 20 Hz to 1.2 kHz
- C. M.F. Aural Sweep Test: 7.0V Input, 20 Hz to 1.2 kHz
- D. H.F. Aural Sweep Test: 2.83V Input, 550 Hz to 20 kHz

PHYSICAL SPECIFICATIONS:

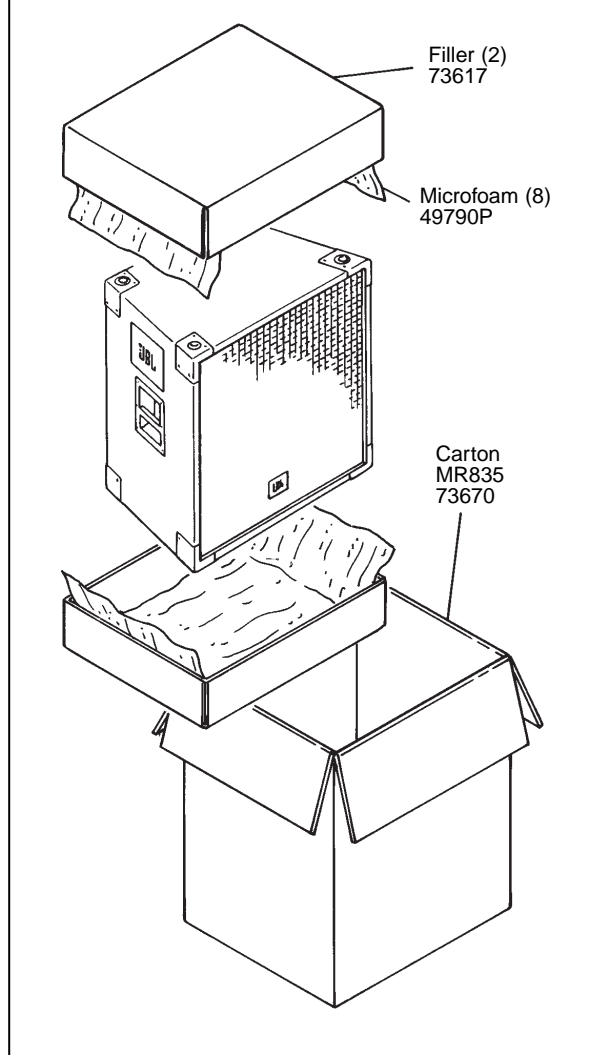
- Enclosure Dimensions: 714 mm x 714mm x 457mm D (28.12 x 28.12 x 18.0 in. D)
- Shipping Weight: 99 lbs. (44.8 kg.)

WARRANTY INFORMATION:

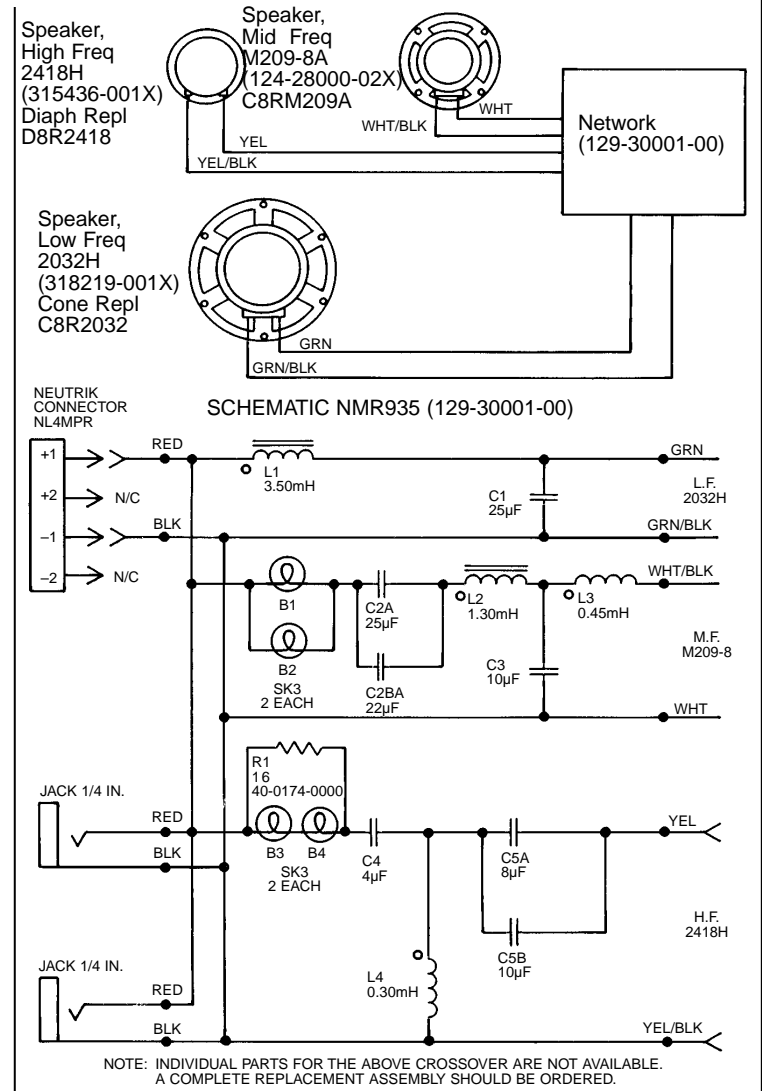
- Refer to Warranty Statement packed with each product.

PACKAGE

Warranty 59660
Specification Sheet 980-00016-00



WIRING DIAGRAM



JBL MR935 REV K

JBL MR935

COMPONENT EXPLODED VIEW

