



# Service Manual

## NANO K SERIES

Powered Monitors  
K3 K4 K5 K6 K8 KX

# NANO





# Table of Contents

---

Safety

Exploded View Diagrams

Block Diagrams

Schematics

Bill of Materials



1. Read these instructions.
2. Keep these instructions.
3. Heed all warnings.
4. Follow all instructions.
5. Do not use this apparatus near water.
6. Clean only with dry cloth.
7. Do not block any ventilation openings. Install in accordance with manufacturer's instructions.
8. Do not install near any heat sources such as radiators, heat registers, stoves or other apparatus that produce heat.
9. Do not defeat the safety purpose of the grounding type plug. A polarized plug has two blades with one wider than the other. A grounding type plug has two blades and a third grounding prong. The wide blade or the third prong is provided for your safety. If the provided plug does not fit into your outlet, consult an electrician for replacement of the obsolete outlet.
10. Protect the power cord from being walked on or pinched particularly at plugs, convenience receptacle and the point where the power cord connects to the apparatus.
11. Only use attachments/accessories specified by the manufacturer.
12. Unplug this apparatus during lightning storms or when unused for long periods of time.
13. Refer all servicing to qualified service personnel. Servicing is required when the apparatus has been damaged in any way, including: power-supply cord or plug is damaged, liquid has been spilled or objects have fallen into the apparatus, the apparatus has been exposed to rain or moisture, does not operate normally, or has been dropped.
14. The appliance coupler of the power supply cord is used as the ultimate disconnect device from the mains. The appliance coupler shall remain readily operable.
15. The apparatus shall be connected to mains socket outlet with a protective earthing connection.
16. Any changes or modifications not expressly approved by the party responsible for

compliance could void the user's authority to operate the equipment.

**WARNING:**

- To reduce the risk of fire or electrical shock, do not expose the apparatus to rain or moisture.
- Do not expose the apparatus to dripping or splashing and do not place objects filled with liquids, such as vases, on the apparatus. No naked flame sources, such as lighted candles, should be placed on the apparatus.



The exclamation point within an equilateral triangle is intended to alert the users to the presence of important operating and maintenance (servicing) instructions in the literature accompanying the product.



The lightning flash with the arrowhead symbol, within an equilateral triangle, is to alert the user to the presence of insulated "dangerous voltage" within the products enclosure that may be of sufficient magnitude to constitute a risk of electric shock to humans.



This device is designed and evaluated under the condition of altitude below 2000 meters above sea level; it can only be used in locations below 2000 meters above sea level. Using the device above 2000 meters could result in a potential safety hazard.

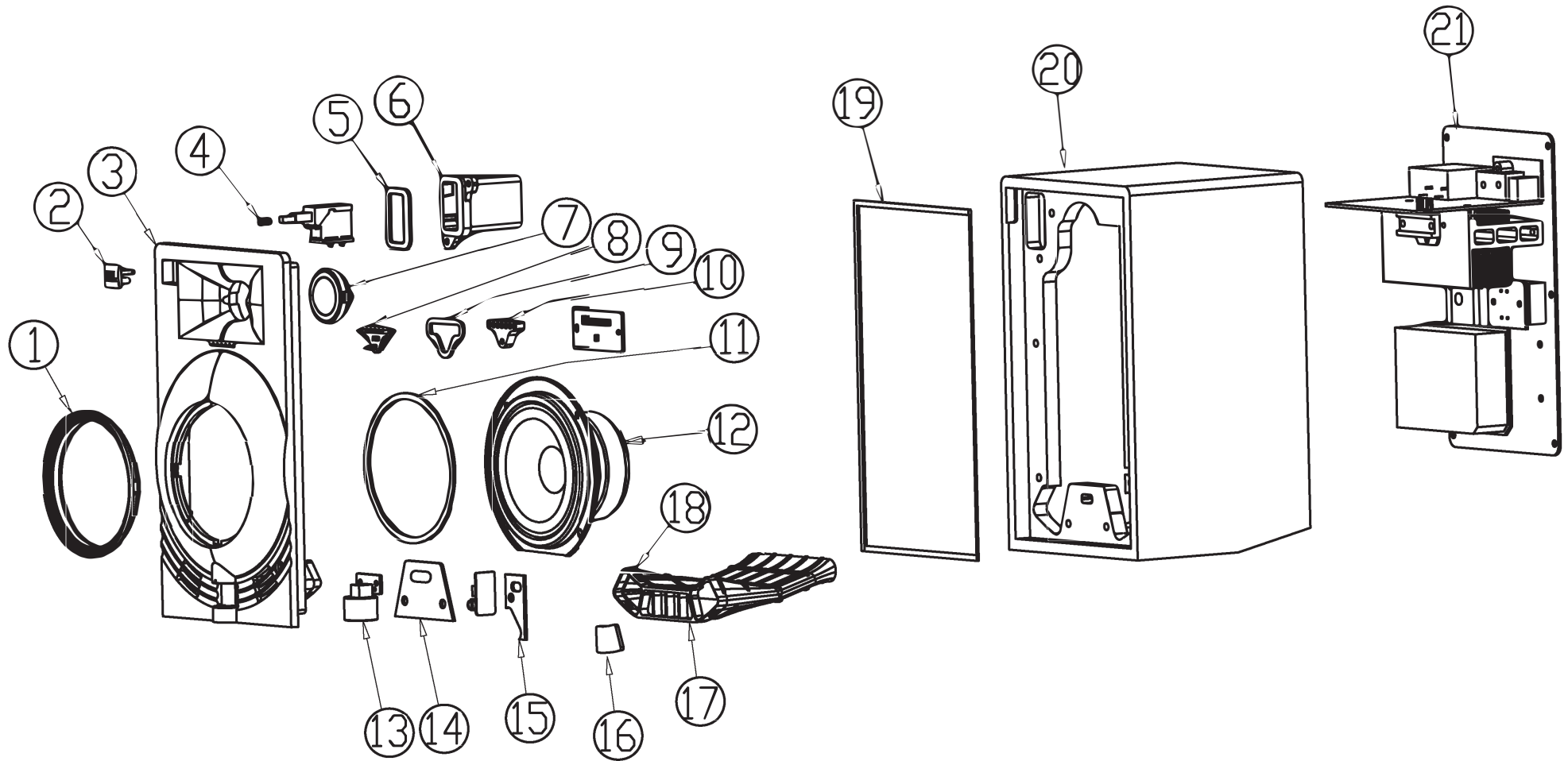


This device is designed and evaluated under the condition of non-tropical climate; it can only be used in locations in nontropical climate areas. Using the device in tropical climate areas could result in a potential safety hazard.

**CAUTION: TO REDUCE THE RISK OF ELECTRONIC SHOCK - DO NOT REMOVE COVER. NO USER SERVICEABLE PARTS INSIDE. REFER SERVICING TO QUALIFIED PERSONNEL. DO NOT EXPOSE THIS APPARATUS TO RAIN OR MOISTURE.**

Model

NANO K3 MAIN SPEAKER

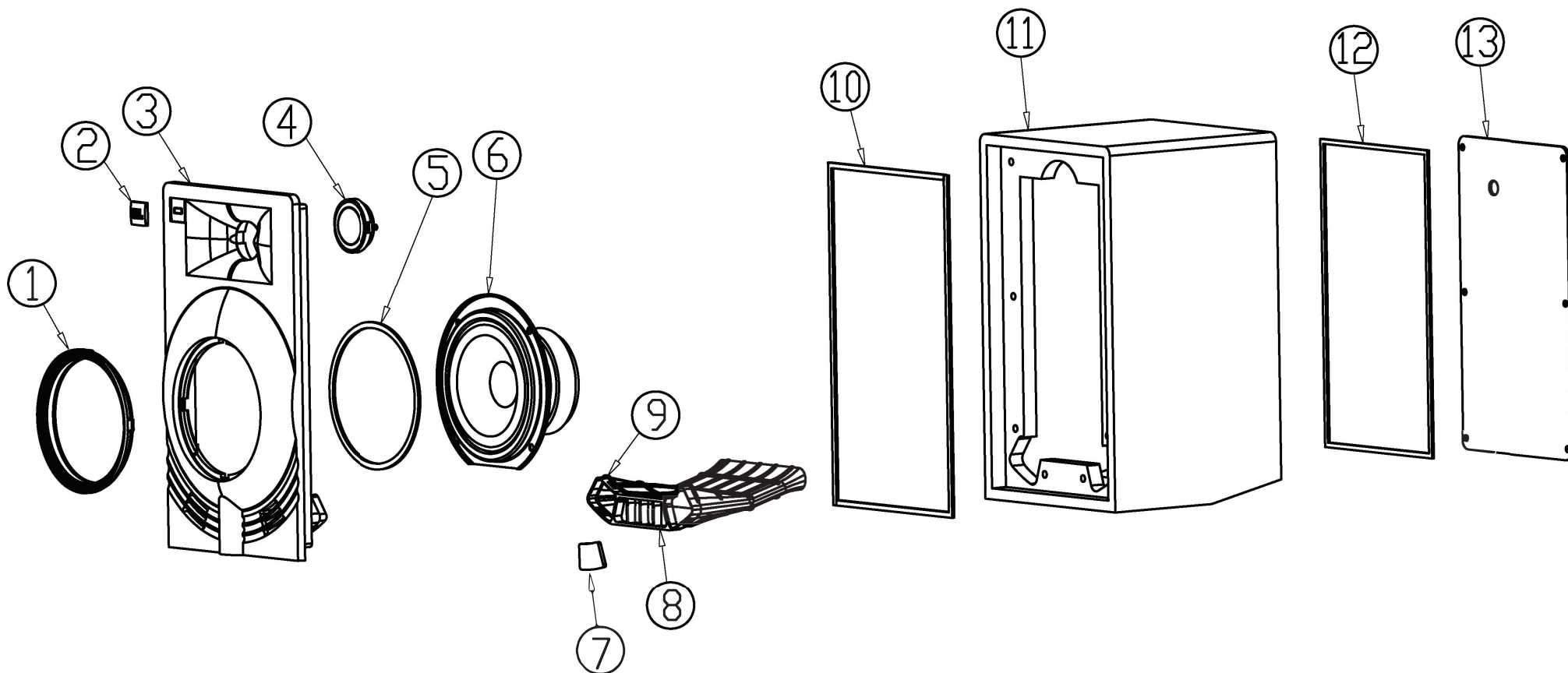


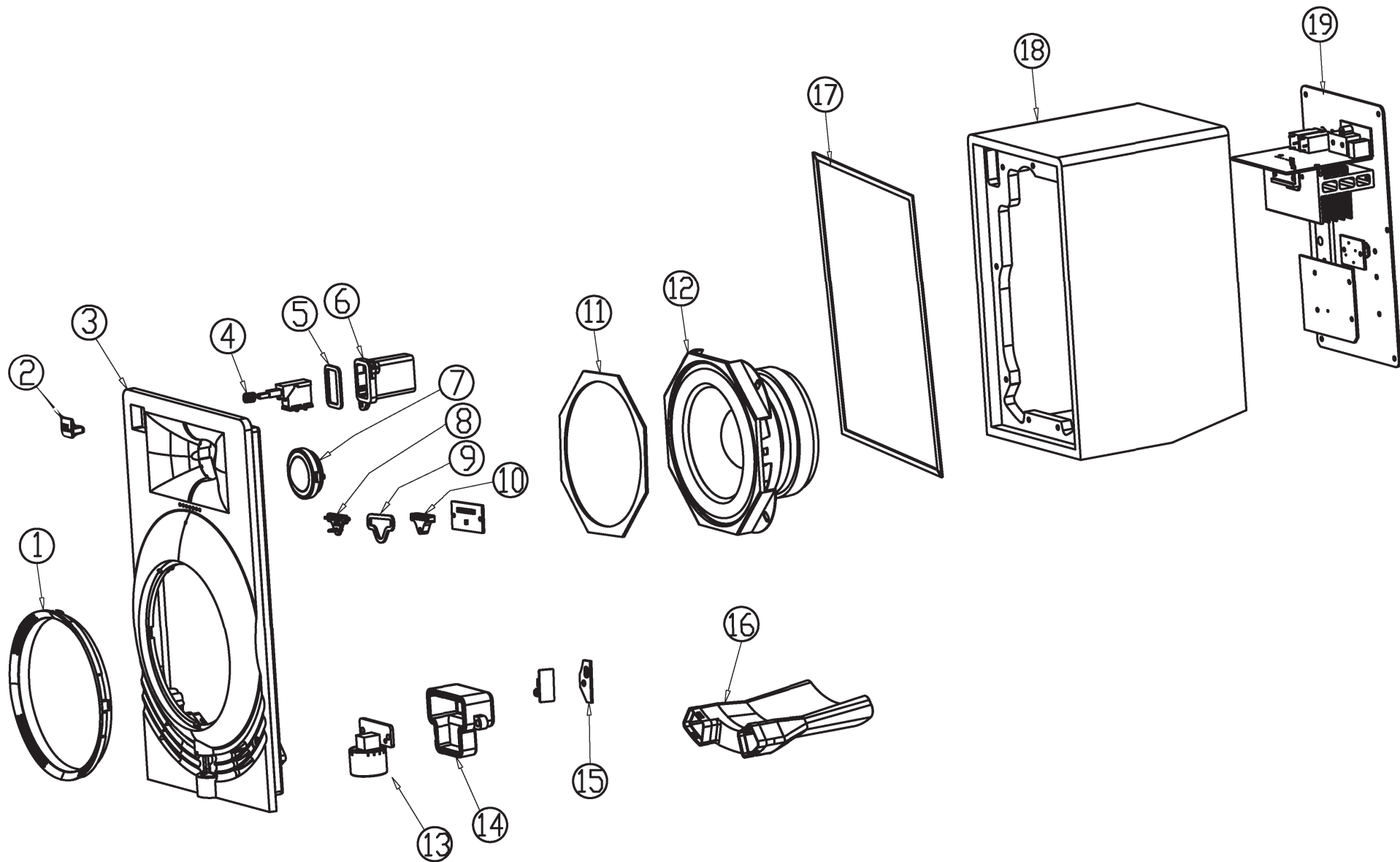
Model

NANO K3 SUP SPEAKER

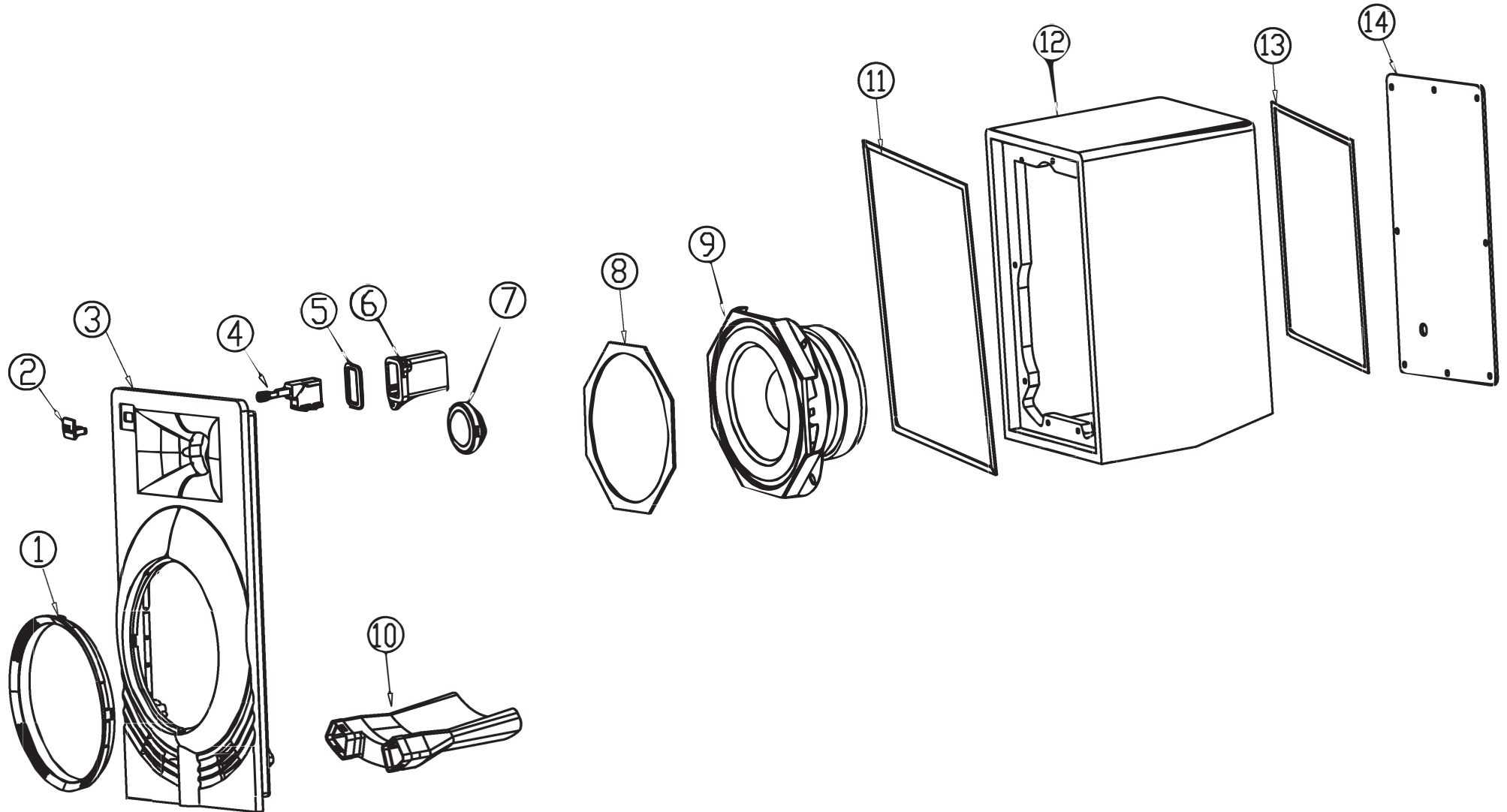
A/1

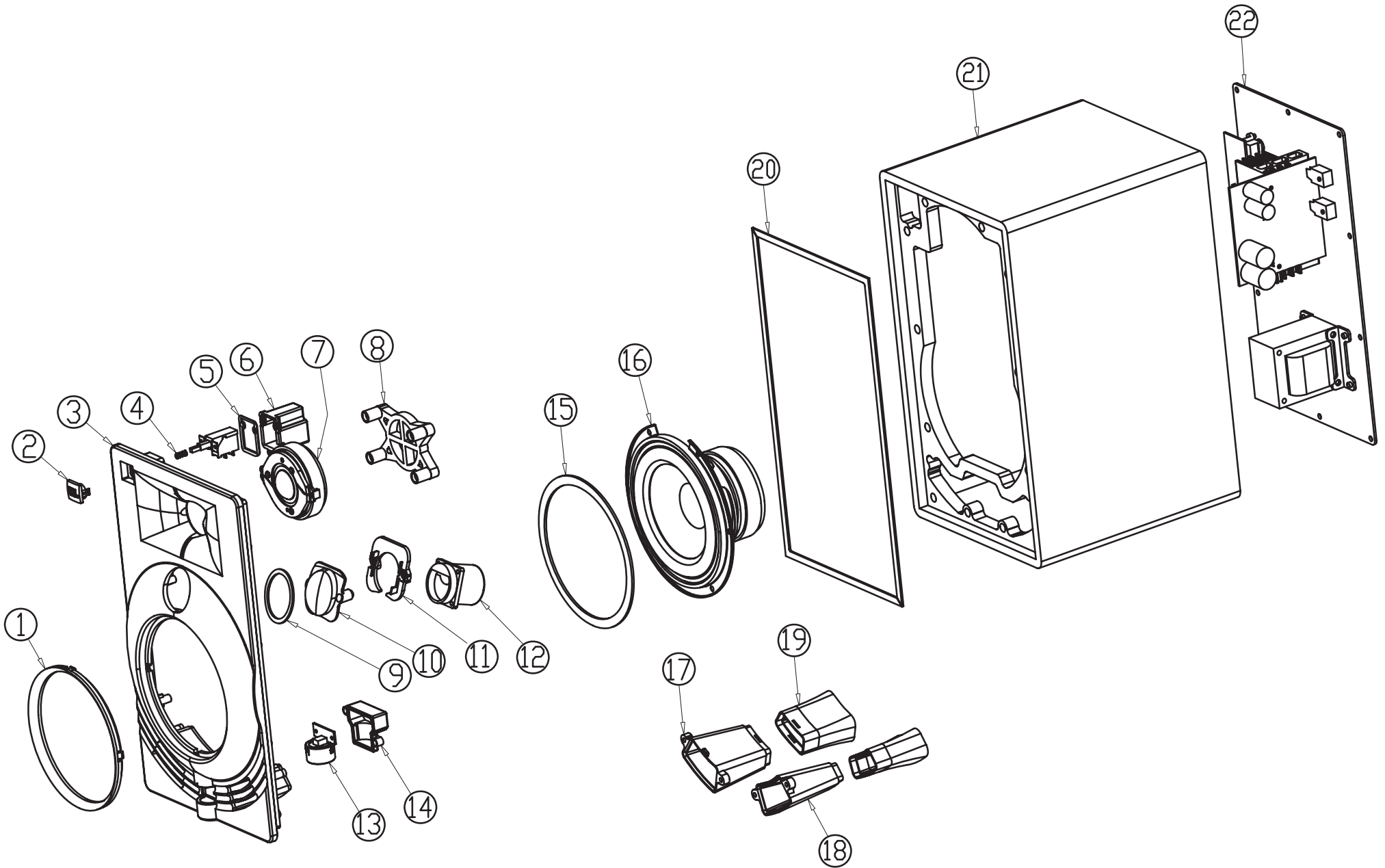
1/1



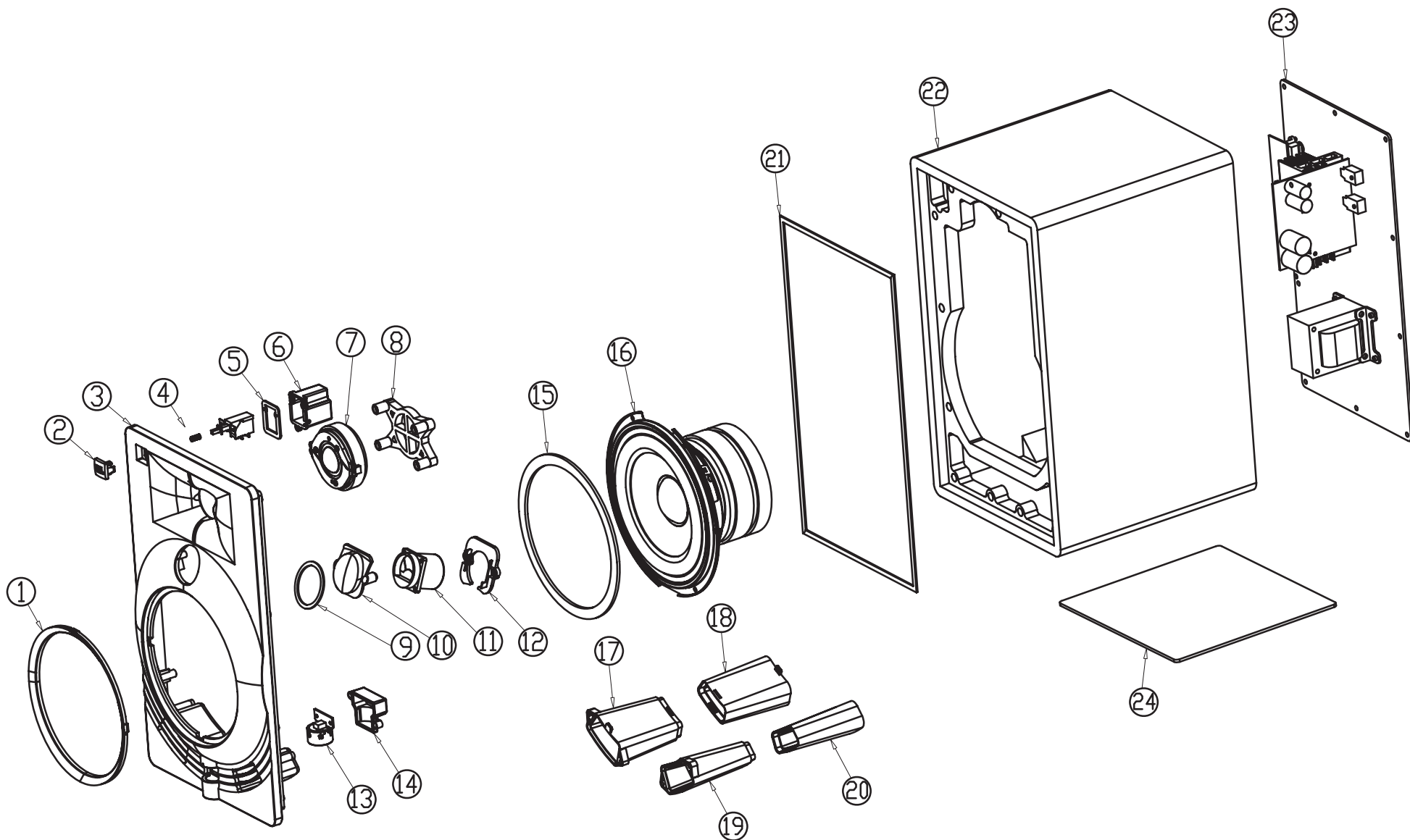


**MODEL NANO K4 SUP SPEAKER**

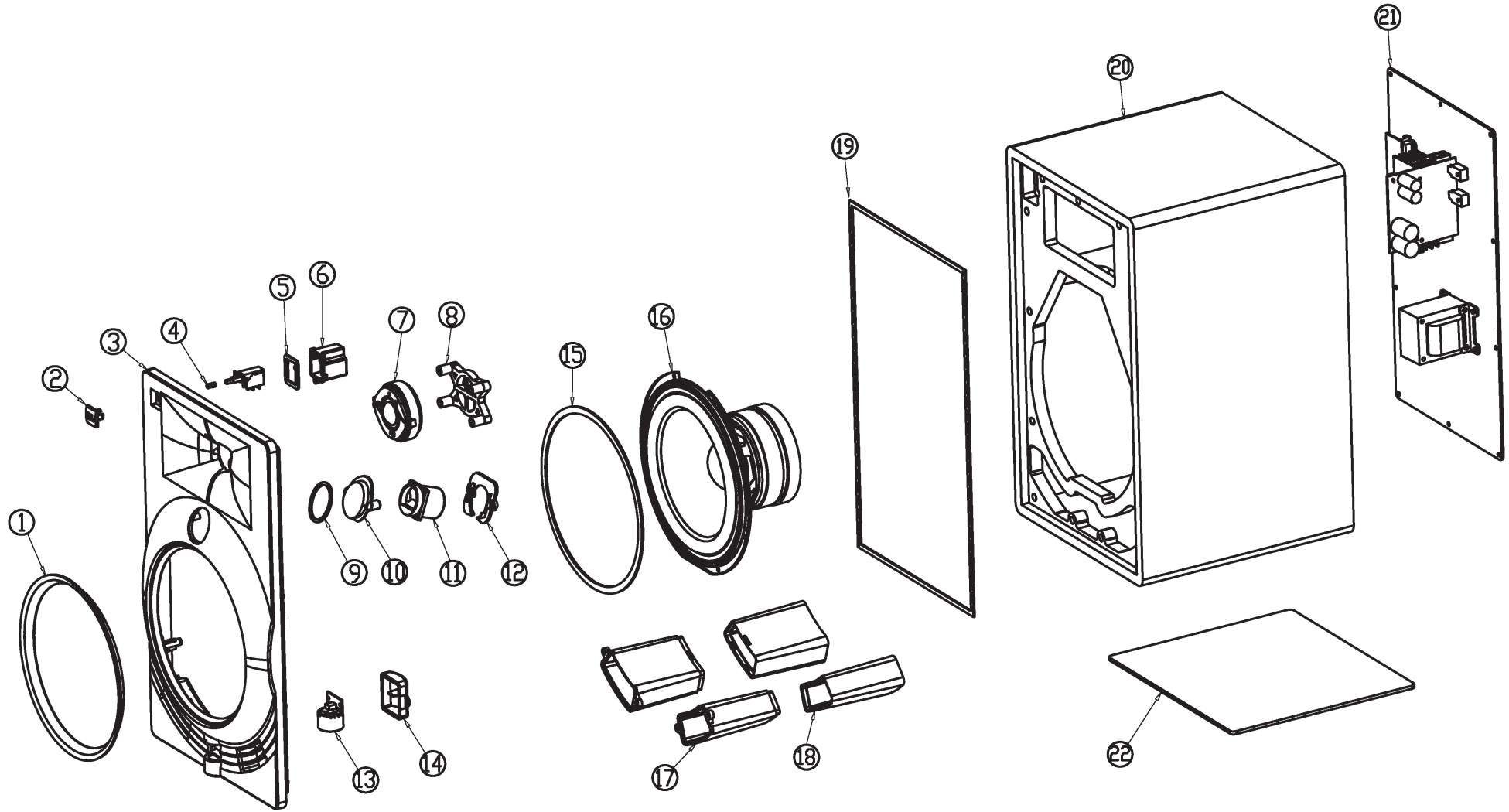




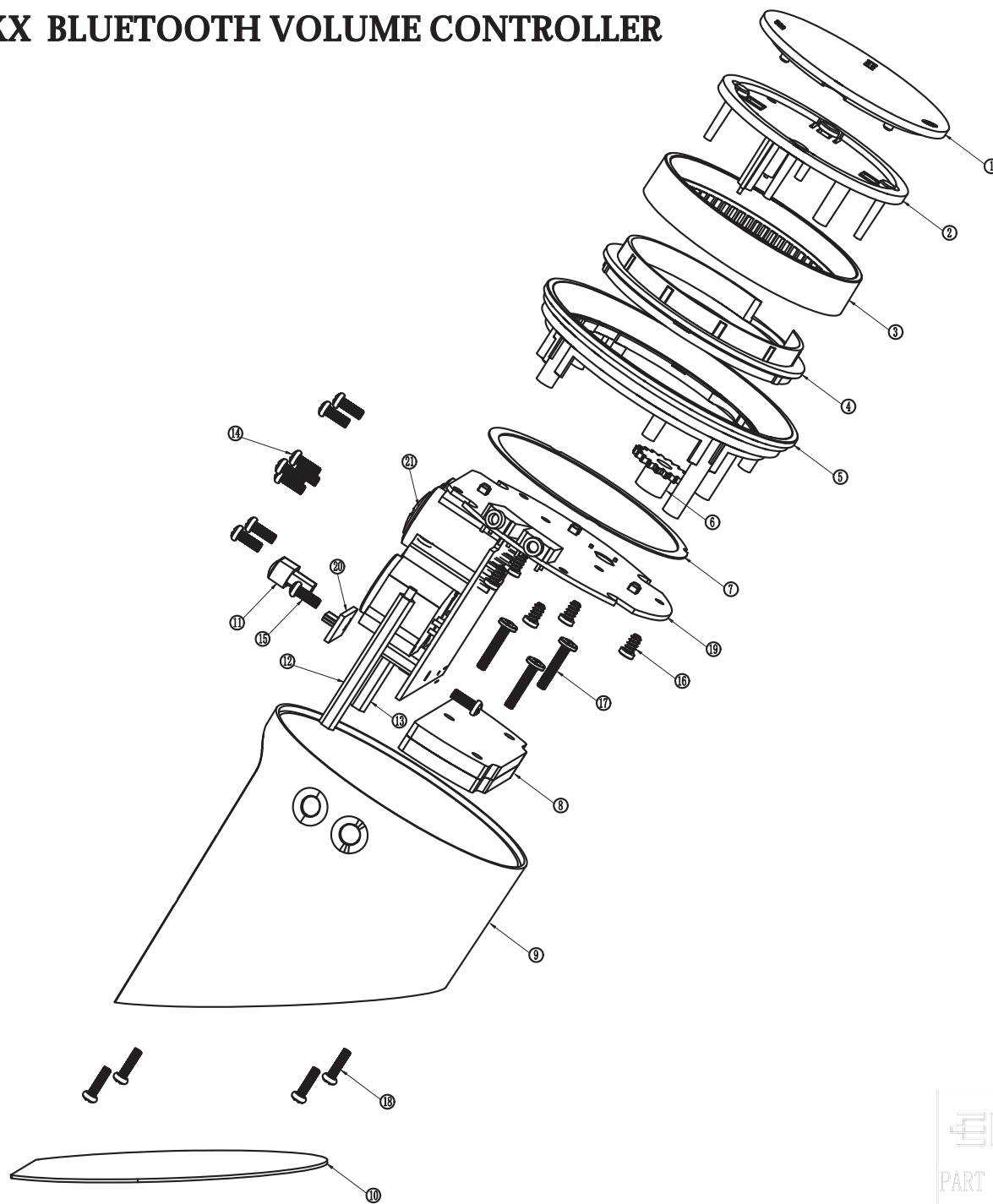




**MODEL NANO K8 SPEAKER**



# MODEL : NANO KX BLUETOOTH VOLUME CONTROLLER



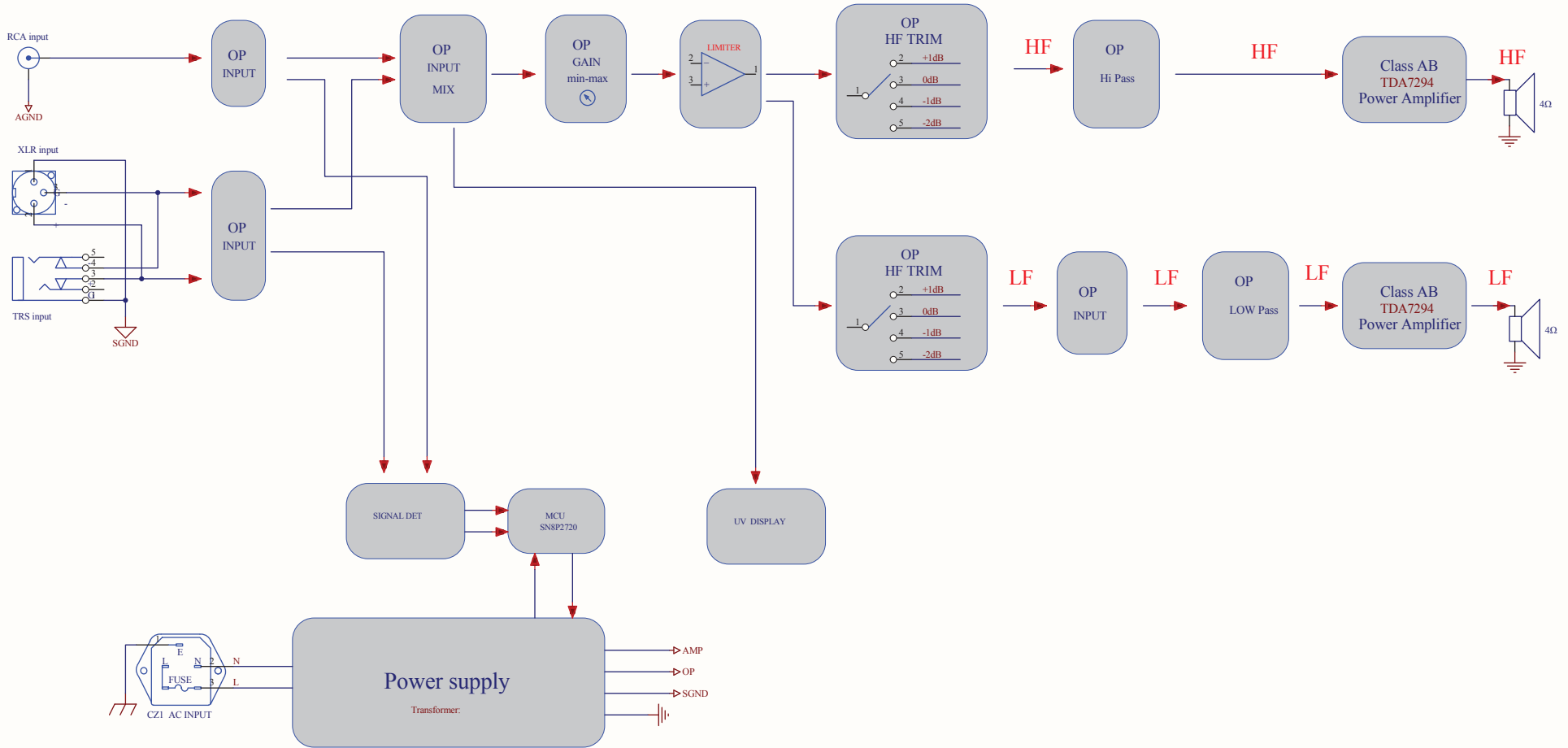
常禾电  
EVERVICTORY

PART NAME:  
爆炸图

PRODUCT CODE:  
NANO KX

# Block Diagrams

## Nano K5/K6/K8 Block diagram



JBL NanoK5 FUSE:  
T500mA/250V FOR 220V-240V

JBL NanoK6 FUSE:  
T800mA/250V FOR 220V-240V

JBL NanoK8 FUSE:  
T1A/250V FOR 220V-240V

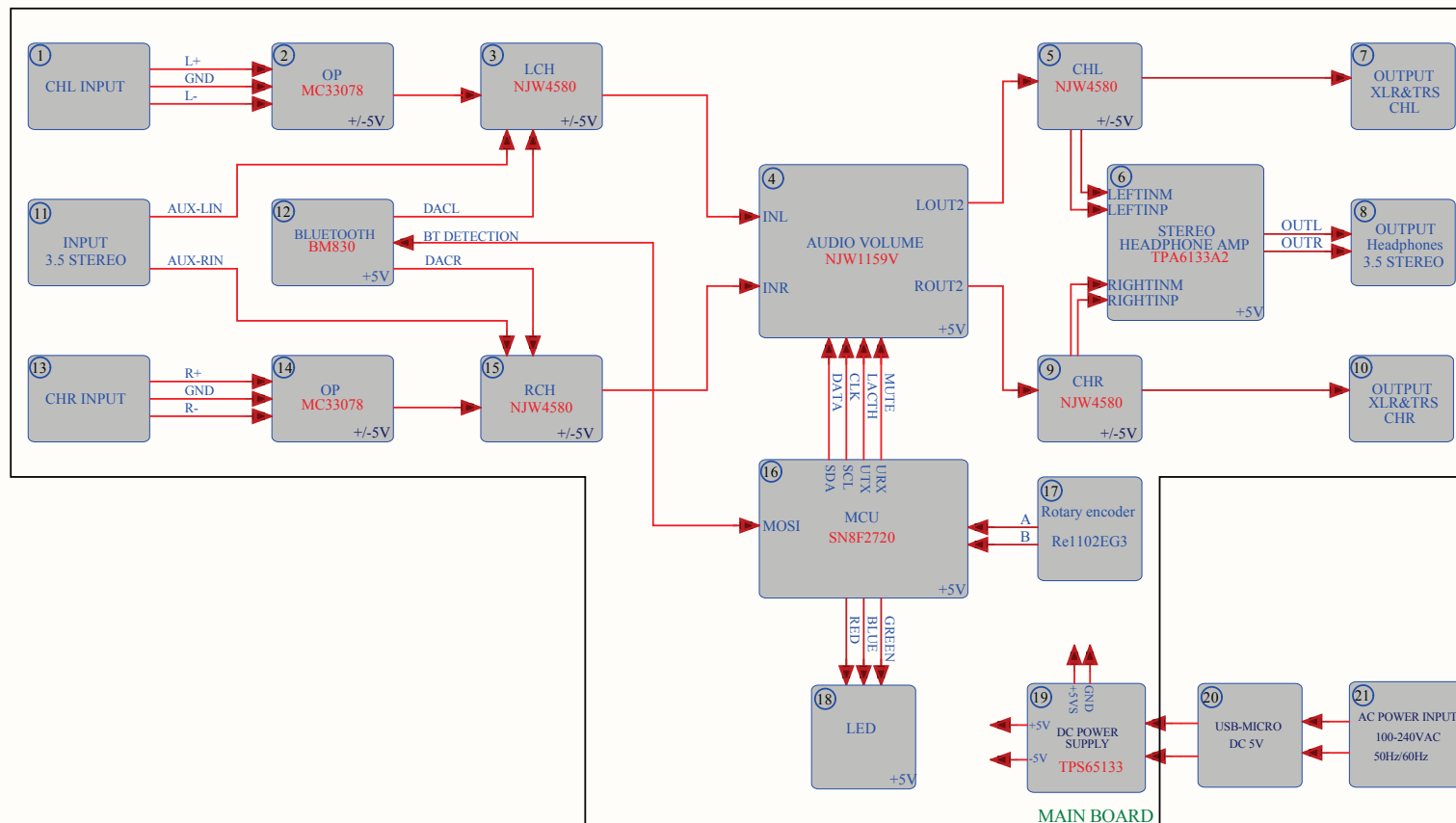
JBL NanoK5 Transformer:  
13.5V- $\pm$ 2 1.8A  
13.5V- $\pm$ 2 1.2A

JBL NanoK6 Transformer:  
20V- $\pm$ 2 1.7A  
13.5V- $\pm$ 2 1.2A

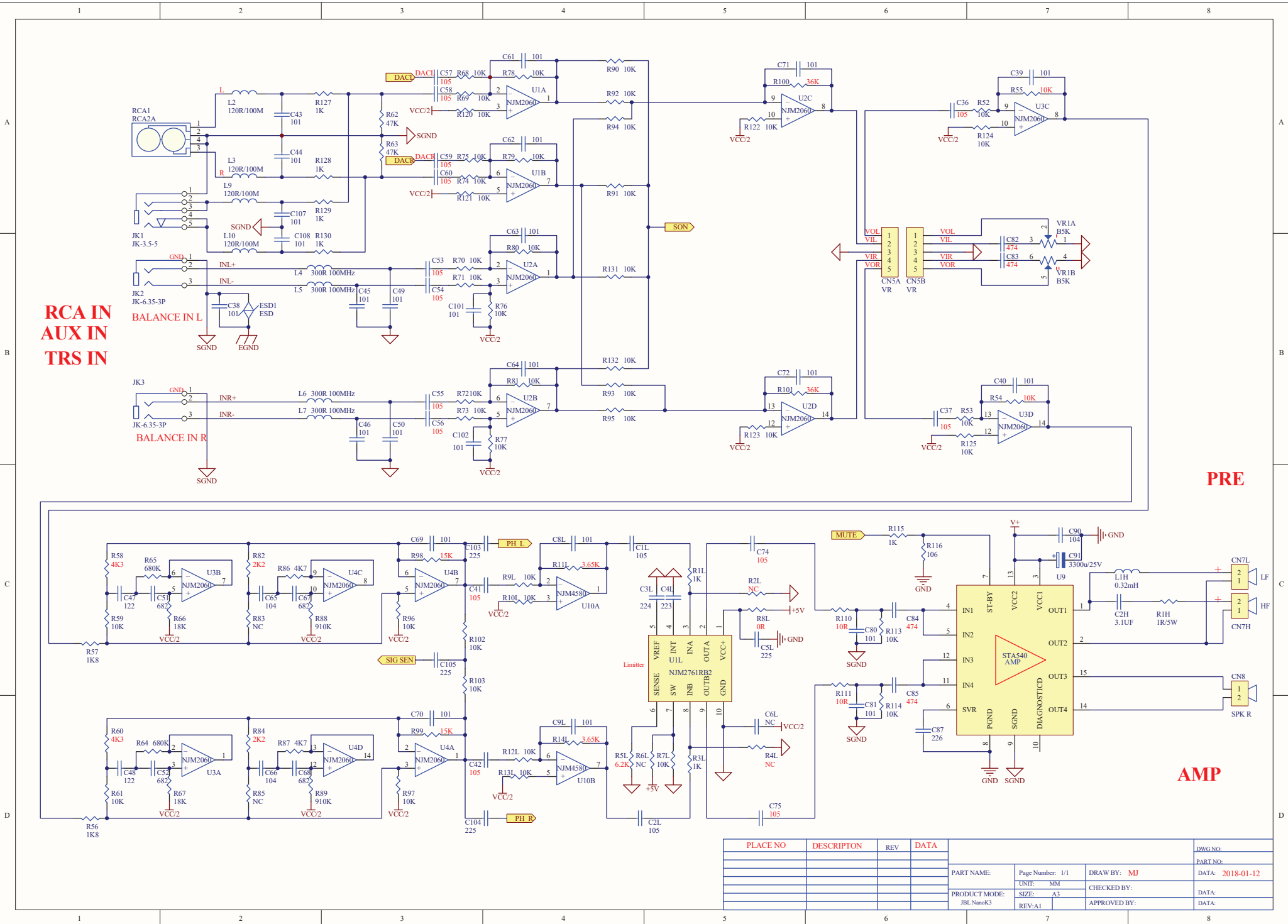
JBL NanoK8 Transformer:  
25V- $\pm$ 2 2A  
13.5V- $\pm$ 2 1.2A

PLACE NO	DESCRIPTION	REV	DATA				JDWG NO:
							PART NO:
				PART NAME: Block diagram	Page Number: 1/1	DRAW BY: JBXINLV	DATA: 2017-12-15
				UNIT: MM	CHECKED BY:		DATA:
				PRODUCT MODE: Nano K5/K6/K8	REV: A1	APPROVED BY:	DATA:

# NANO KX Block diagram



Title		
Size	Number	Revision
A4		
Date:	2018-9-6	Sheet of
File:	C:\Documents and Settings\AKX	Scanned By:



**RCA IN  
AUX IN  
TRS IN**

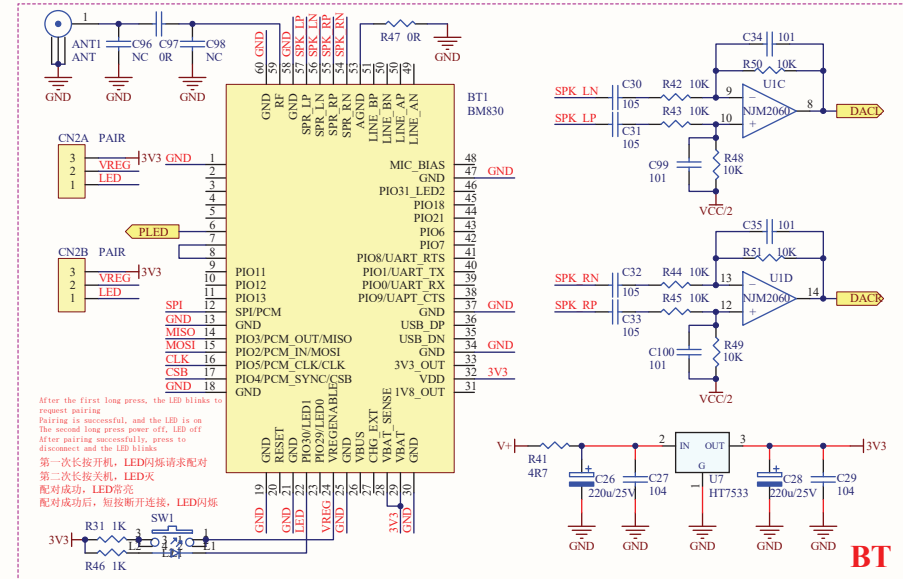
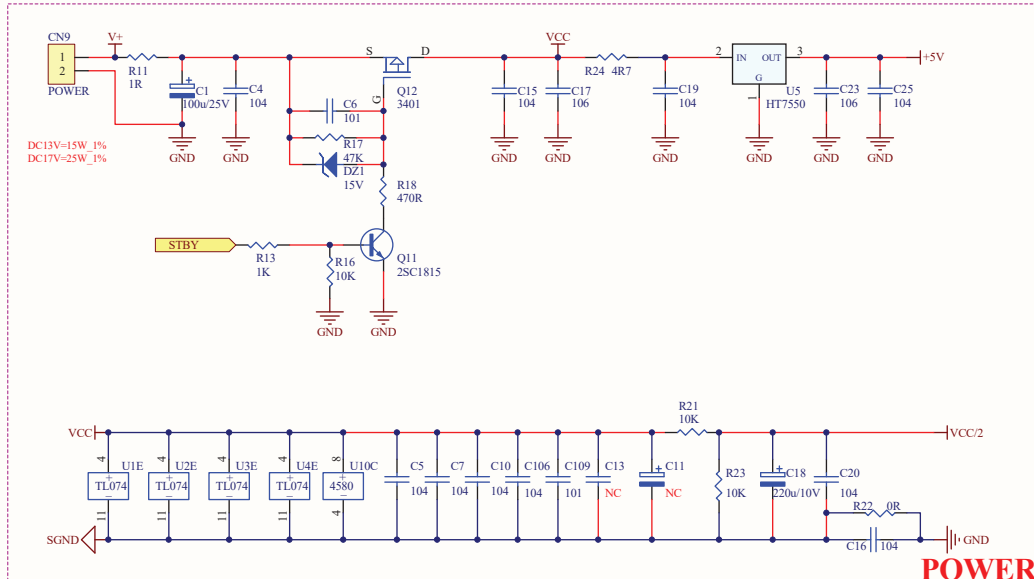
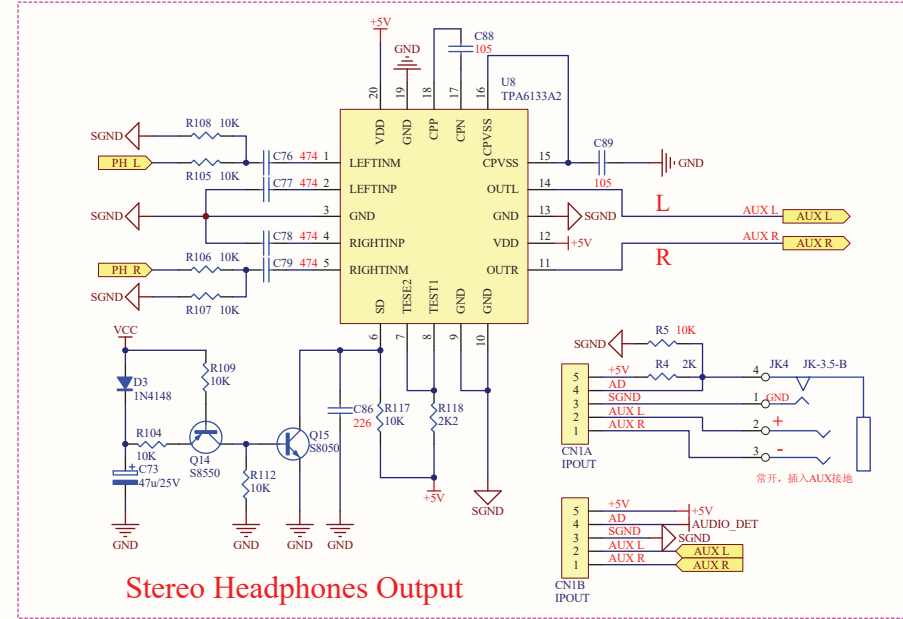
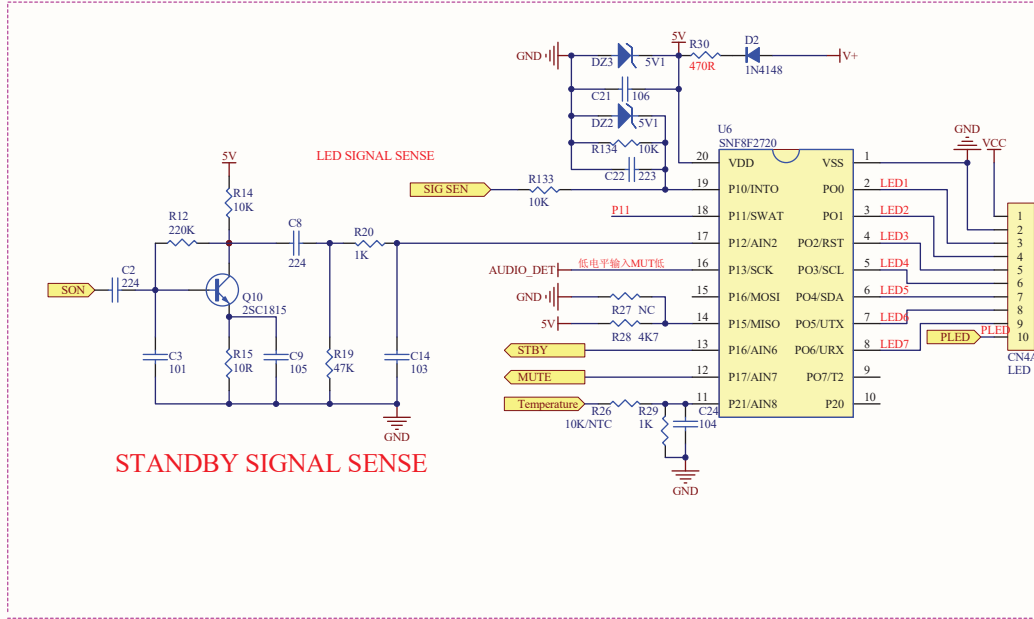
**PRE**

**AMP**

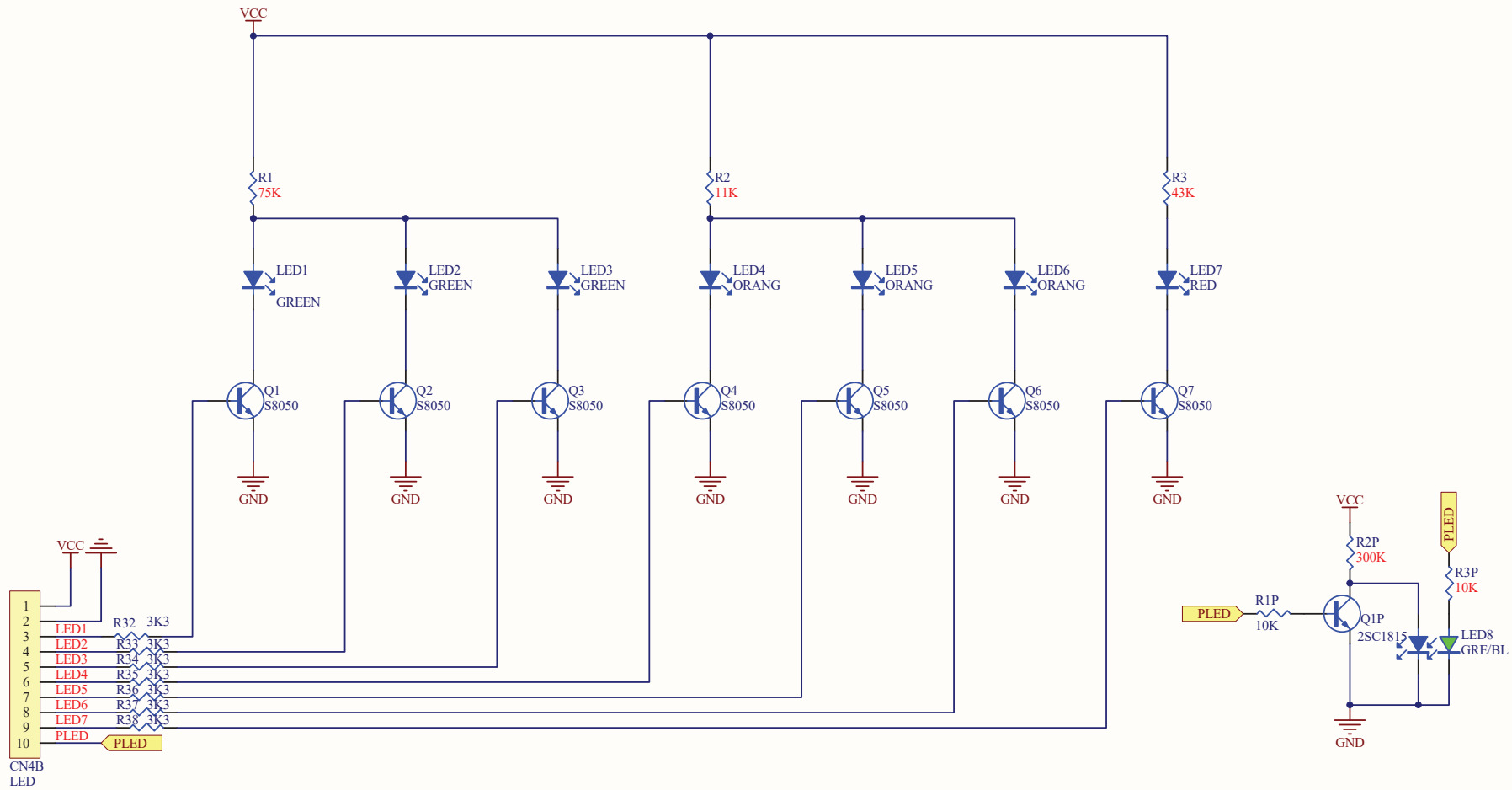
PLACE NO	DESCRIPTION	REV	DATA

PART NAME:	Page Number: 1/1	DRAW BY: MJ	DWG NO:
PRODUCT MODE:	UNIT: MM	CHECKED BY:	PART NO:
JBL NanoK3	SIZE: A3	APPROVED BY:	DATA: 2018-01-12
REV: A1			

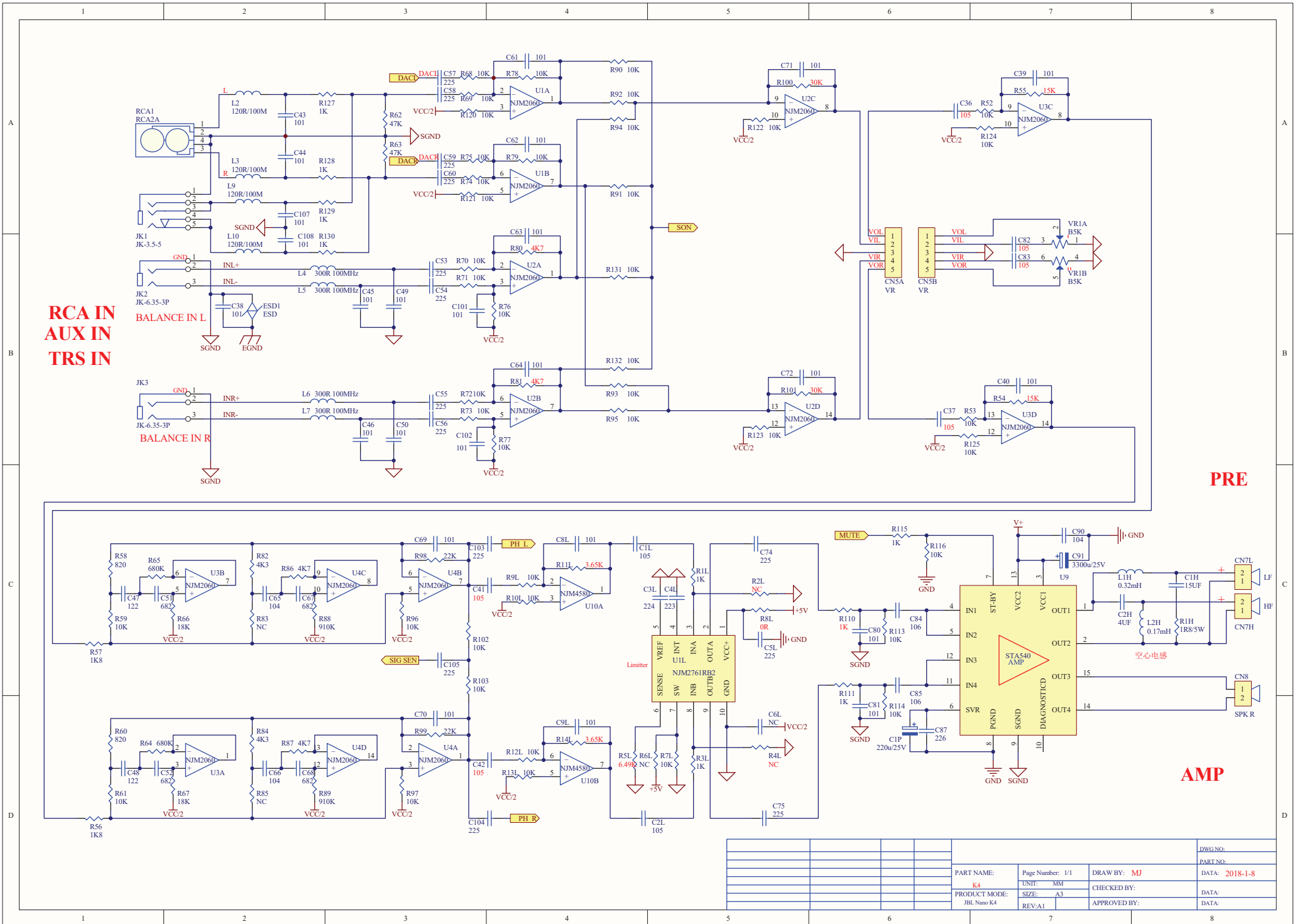


PLACE NO	DESCRIPTION	DATA	DWG NO:
			PART NO:
			DATE: 2017-3-1
			PART NAME: Page Number: 1/1
			UNIT: MM
			DRAW BY: MJ
			CHECKED BY:
			PRODUCT MODE: SIZE: A3
			DATE:
			JBL NanoK3
			REV: A1
			APPROVED BY:
			DATE:

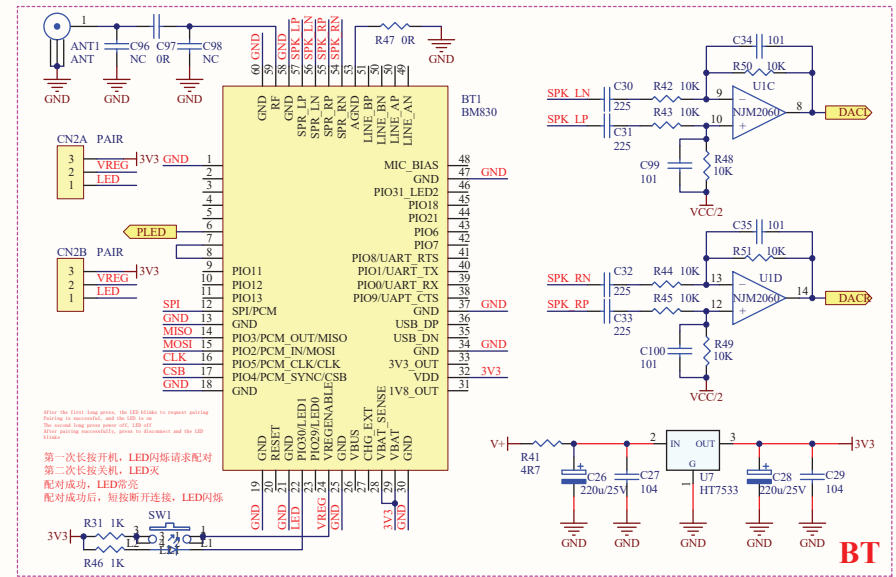
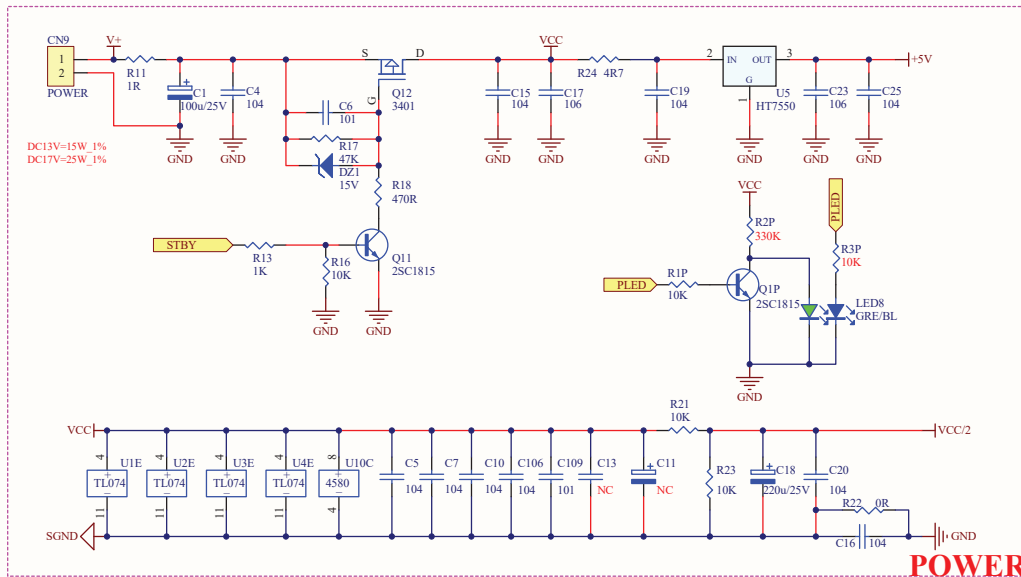
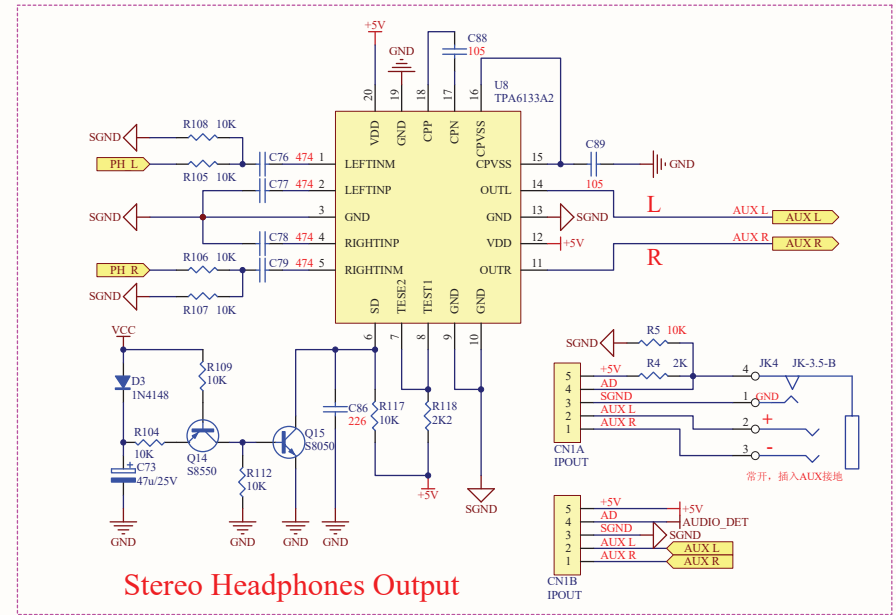
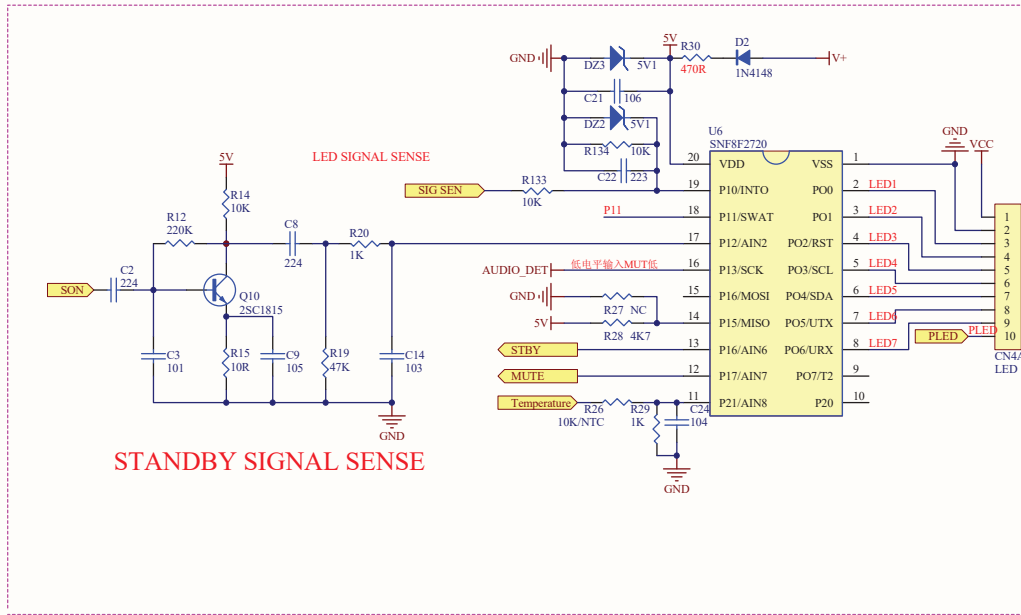


									DW GNO:
									PART NO:
						PART NAME:	SCALE: 1:1	DRAWN BY: MJ	DATA:2016-12-17
							UNIT: mm	CHECKED BY:	DATA:
						PRODUCT MODE:	SIZE: A3	APPROVED BY:	
						JBL NanoK3	REV: A1		

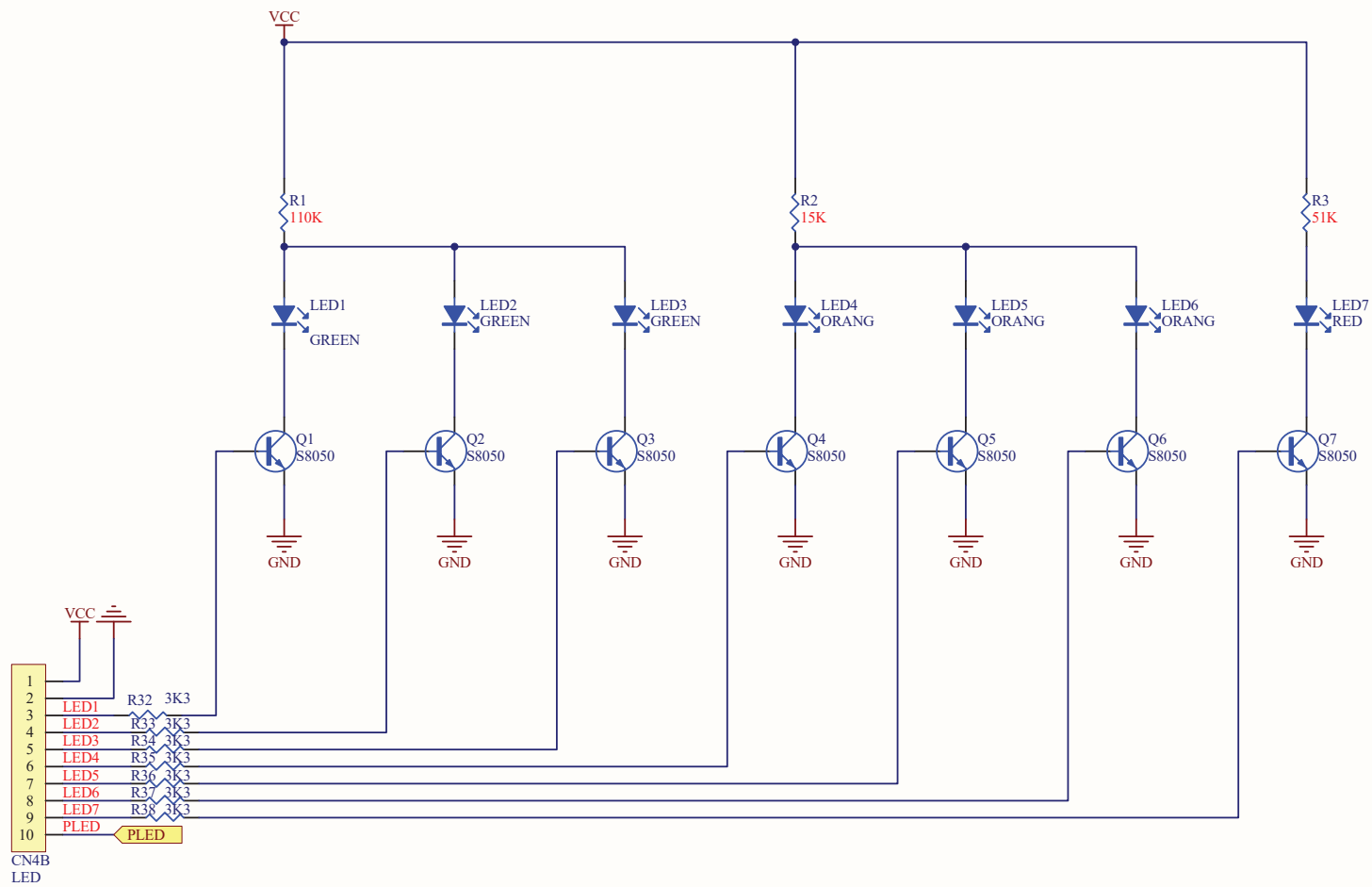




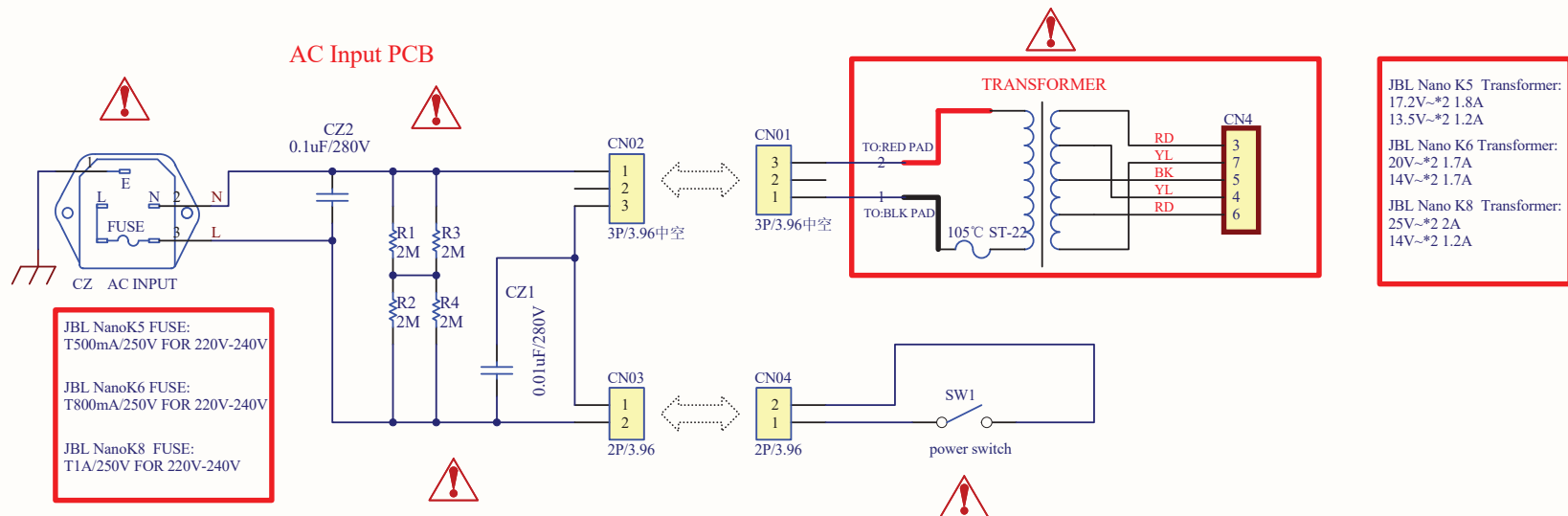
PART NAME:	Page Number: 1/1	DRAW BY: MJ	DWG NO:
K4	UNIT: MM	CHECKED BY:	PART NO:
PRODUCT MODE:	SIZE: A3	DATE:	2018-1-8
JBL Nano K4	REV-A1	APPROVED BY:	DATE:



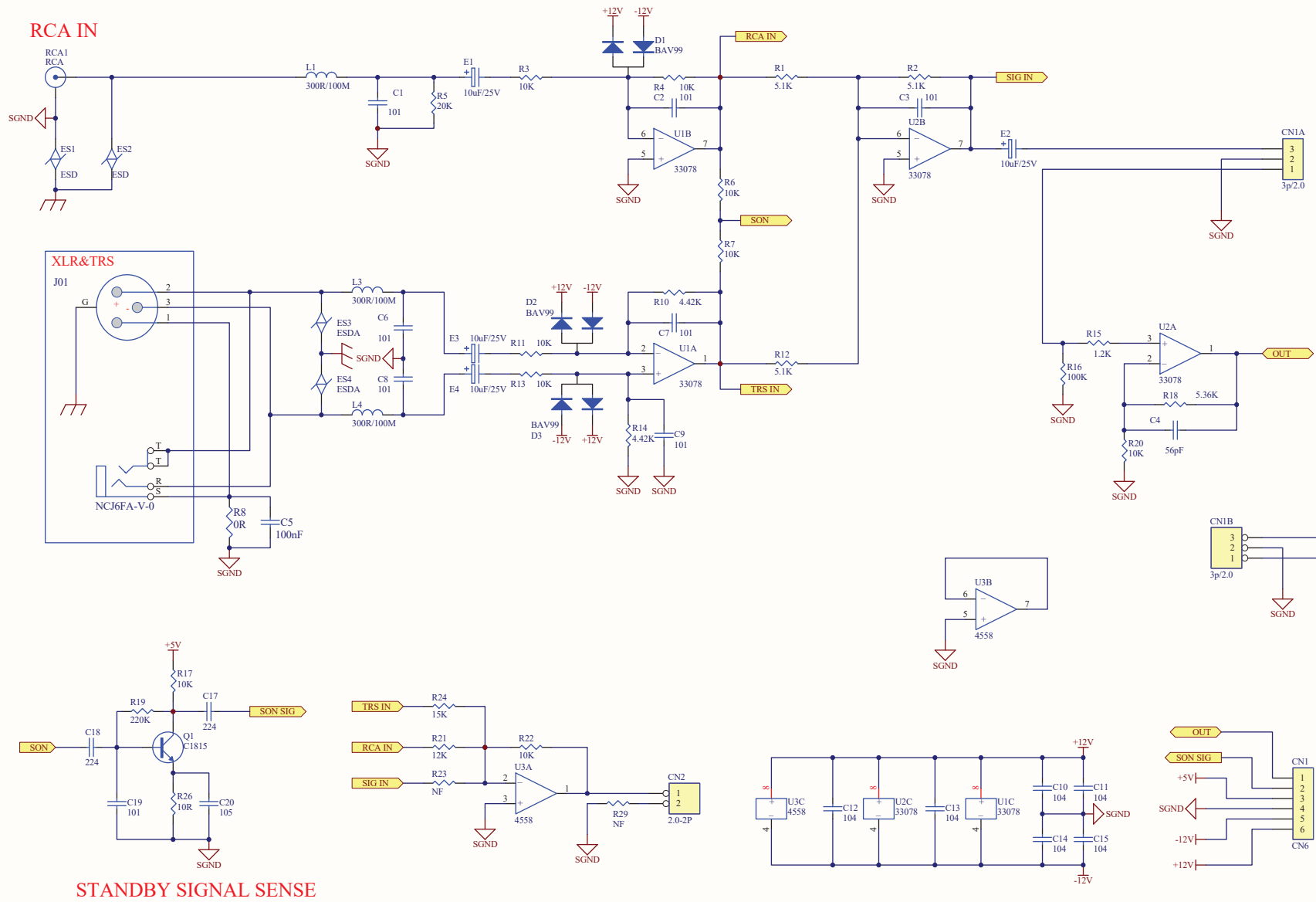
PART NAME:	Page Number: 1/1	DRAW BY: MJ	DWG NO:
PRODUCT MODE:	UNIT: MM	CHECKED BY:	PART NO:
JBL Nano K4	SIZE: A3	APPROVED BY:	DATA: 2018-1-8
REV:A1			DATA:



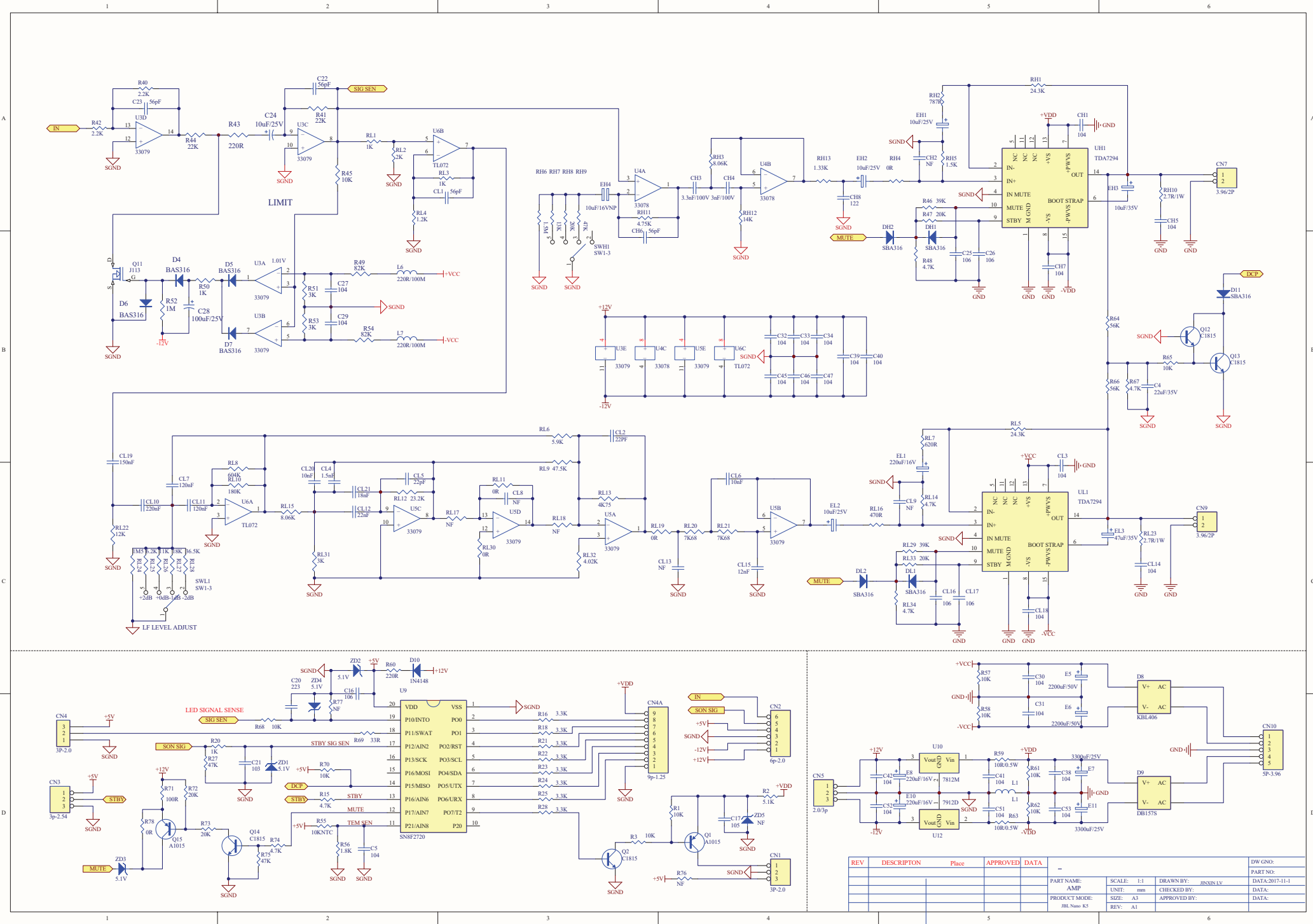
									DW GNO:
									PART NO:
						PART NAME:	SCALE: 1:1	DRAWN BY: MJ	DATA:2017-12-11
						K4	UNIT: mm	CHECKED BY:	DATA:
						PRODUCT MODE:	SIZE: A3	APPROVED BY:	DATA:
						JBL Nano K4	REV: A1		



REV	DESCRIPTION	Place	APPROVED	DATA				DW GNO:
								PART NO:
					PART NAME:	SCALE: 1:1	DRAWN BY: JINXIN LV	DATA:2017-11-1
					SW	UNIT: mm	CHECKED BY:	DATA:
					PRODUCT MODE:	SIZE: A3	APPROVED BY:	DATA:
					JBL Nano K5/K6/K8	REV: A1		



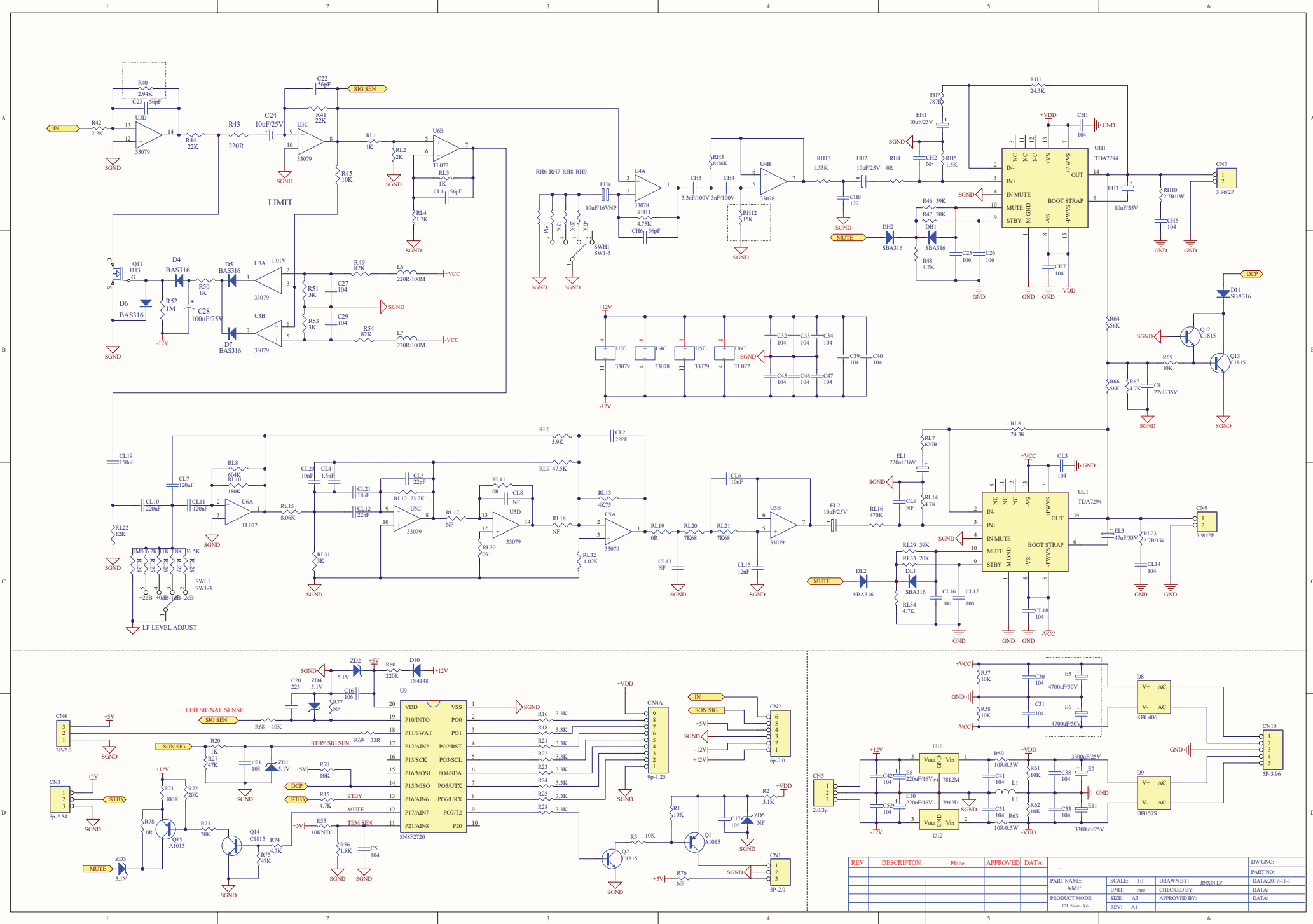
REV	DESCRIPTION	Place	APPROVED	DATA	COMPANY LIMITED			DW GNO:
					PART NAME: IN AND MCU			PART NO:
					SCALE: 1:1			DATA:2017-11-1
					UNIT: mm			DATA:
					SIZE: A3			DATA:
					REV: A1			DATA:



REV	DESCRIPTION	Place	APPROVED	DATA	DW GND:

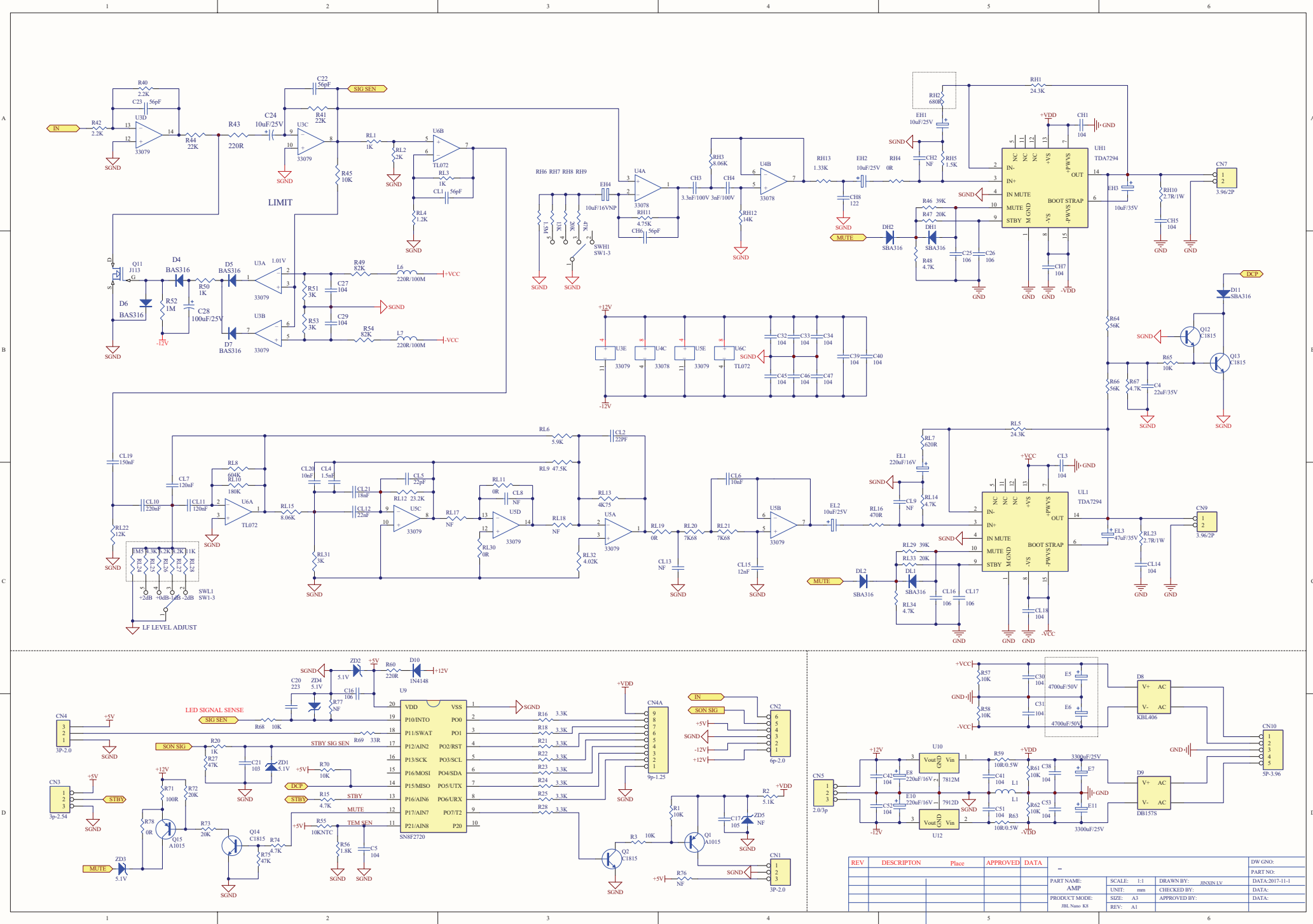
PART NAME:	AMP	SCALE:	E:1	DRAWN BY:	JINXIN LV	DW GND:
UNIT:	mm	CHECKED BY:		DATE:	2017-11-4	PART NO:
PRODUCT MODE:	JBL Nano K5	SIZE:	A3	APPROVED BY:		DATA:
REV:	A1					



REV	DESCRIPTION	Place	APPROVED	DATA	DW GND:

PART NAME:	AMP	SCALE:	E:1	DRAWN BY:	JINXIN LV	DW GND:
UNIT:	mm	CHECKED BY:		DATE:	2017-11-4	PART NO:
PRODUCT MODE:		SIZE:	A3	APPROVED BY:		DATA:
REV:	A1					

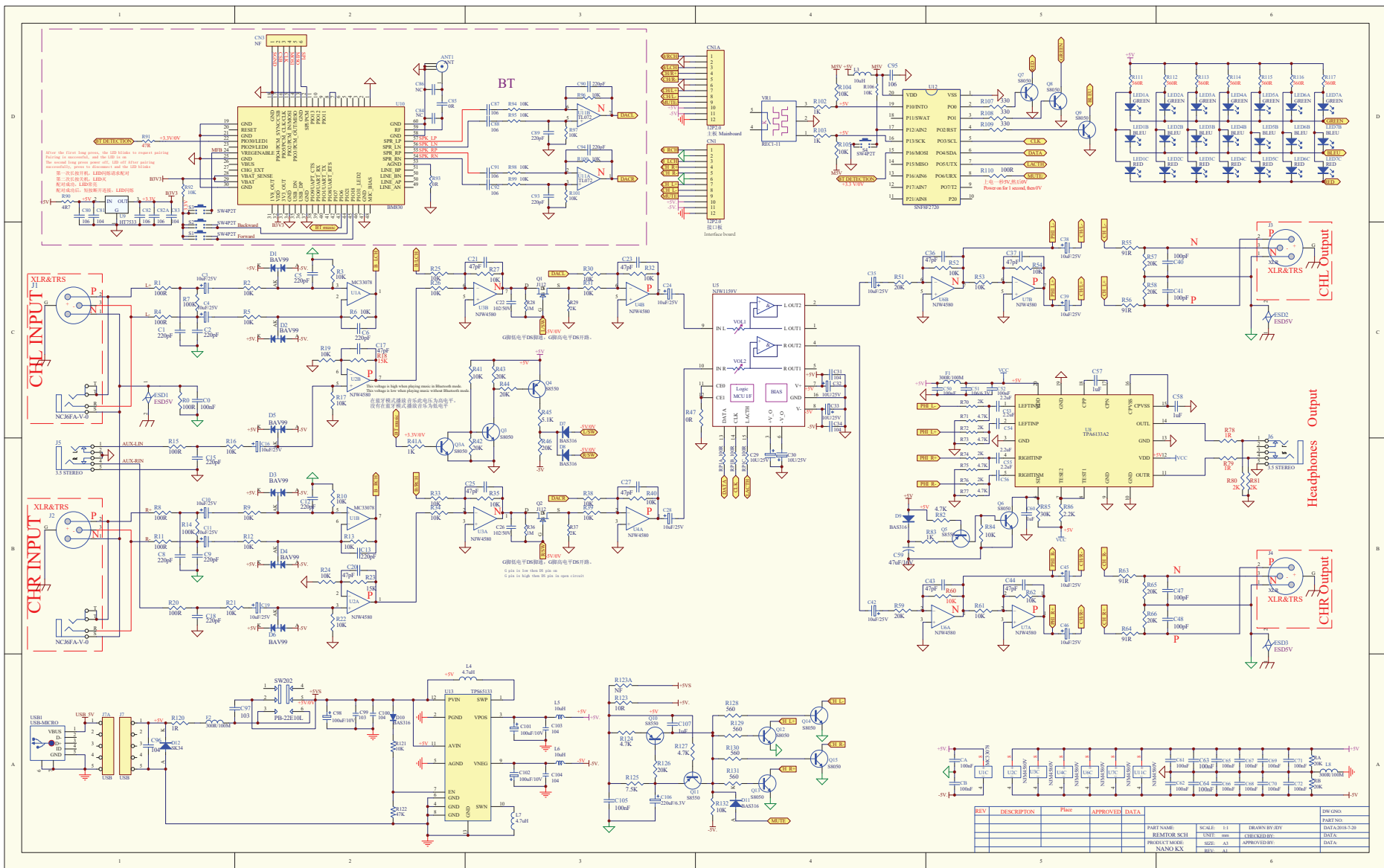


REV	DESCRIPTION	Place	APPROVED	DATA	DW GND:

PART NAME:	AMP	SCALE:	E:1	DRAWN BY:	JINXIN LV	DW GND:
UNIT:	mm	CHECKED BY:		DATE:	2017-11-4	PART NO:
PRODUCT MODE:	JBL Nano K5	SIZE:	A3	APPROVED BY:		DATA:
REV:	A1					





# Bill of Materials - NANO K SERIES

Bill of Materials			
Ref ID	Description	Unit	QTY.
1	Woofer, 4 Ω, glass fiber, rubber, magnetic	PCS	2
2	Painted round iron 66 * 19.95 * 21 * 5-31, electric white, flat, an organic whole	PCS	2
3	Painted magnet 70 * 32 * 15, Y30 (space)	PCS	2
4	Voice coil 20 * 3.2 * 27, ASV, 0.19, 2 * 2 l,	PCS	2
5	Washers with 66 * 22 * 5, phi is 3.8 * 3.5 * 4, and white,	PCS	2
6	Painted terminal 187 * 110 * 0.8, blackboard, parallel type 45 °, silver plated,	PCS	2
7	Basin 4 '4 circular hole flanging, diagonal 45 mm, baking amaurosis, holding, (DSC017),	PCS	2
8	Eyelet u 2 * 2.5 mm, eyelet,	PCS	4
9	Painted shells wave 77 * 20 * 4.0, 0.8/50 g, blended in hole under five yellow,	PCS	2
10	Sound painted POTS 4 ', 20 phi, black fiberglass, vinyl EC91 down side stick 60 ° A, YGF3-410 - A - 72 black rs60. 3, four gaps	PCS	2
11	Brocade silk 12 strands, 60 mm, copper conductor,	PCS	4
12	Dust cover * 8 mm, 41 C - 41 black MICA convex cap dust cover, thickness: 0.25 mm,	PCS	2
13	Loudspeakers PX medium plate, 20 phi, 6 Ω, pioneer 3/420 mm black silk,	PCS	2
14	Painted round iron 26 * 21.5 * 4.5 * 7, colorful, flat,	PCS	2
15	Painted magnet 19 * 3, N35 color zinc	PCS	2
16	Washers with 19.95 * 1.5, flat, colorful,	PCS	2
17	Under the high medium plate, 20 phi, PX black plastic, PC aggregate	PCS	2
18	Painted terminal 110 * 0.4, no insulation board, parallel type, silver plated, (P0491),	PCS	4
19	Voice coil end 20 * 4.5 * 5.5, ASV, 0.09 CCAW, 2 l * 2, pick up two brocade silk reverse 180 °,	PCS	2
20	29 * 5 sound film, black silk to waterproof IP65, PCF - 205 - ml - 29-2129	PCS	2
21	Gasket 45.11 * 47.47 * 57.55 * 2 mm, black EVA single-sided adhesive pads (left),	PCS	2
22	Gasket 45.11 * 47.47 * 57.55 * 2 mm, black EVA single-sided adhesive pads (right),	PCS	2
23	Shell after 4 ', vice box, MDF board before 12 mm 227 * 146 * 175 mm coaming 9, black PVC leather, the F - 2905-28	PCS	1
24	Shell after 4 ', MDF main box, 227 * 146 * 175 mm plate before coaming 9 12 mm, black PVC leather, the F - 2905-28	PCS	1
25	Screw 3.5 * 20, umbrella head, A tooth, black zinc,	PCS	16
26	Screw u 3 * 8, round head washer (PWA head is: 7.5), and A tooth, black zinc,	PCS	1
27	Screw u 3.5 * 15, round head, A tooth, black zinc, and hard	PCS	24
28	Shell before 4 ', ABS227 * 146 * 34 black plastic, texture paint, printing master box	PCS	1
29	Shell before 4 ', ABS227 * 146 * 34 black plastic, texture paint, printing	PCS	1
30	Lamp cover 7.5 * 15.2 milk white, PC material positive bite flower,	PCS	1
31	Duct 36.5 * 34.3 * 46.9, black plastic left duct ABS material,	PCS	2

32	Duct 36.5 * 34.3 * 46.9, black plastic right duct ABS material,	PCS	2
33	Button T04-011-01 red and black plastic buttons,	PCS	1
34	Strip gasket 125 * 6 * 1.5 mm, black EVA single-sided adhesive,	PCS	2
35	Gasket 210 * 5 * 1.5 mm, black EVA single-sided adhesive,	PCS	2
36	Sound-absorbing cotton 330 * 120 * 25 mm, 7.2 g, white fire sound-absorbing cotton	PCS	2
37	Screw 4 * 8, round head, A tooth, black zinc,	PCS	2
38	Gasket 42 * 19 * 1.5, 4-2 hole black EVA single-sided adhesive gasket,	PCS	1
39	Wire 150 mm, 18 awg, red and black side 205/205 187/110 male side casing / - 0.4 mm and 0.8 mm female end,	PCS	2
40	Wire 260 mm, 20 awg, red and black side 110/110 male side casing / - 0.4 mm and 110/110 mother side 0.4 mm	PCS	2
41	Capacitance 6 * 175.6 UF / 50 VRT black 'BENNIC' capacitance	PCS	2
42	Wire 280 mm, 18 awg, red and black end 187/110 0.8 mm female end end 110/110 mother side 0.4 mm	PCS	1
43	2000 mm wire, 0.18/30, transparent pressure on the red half not tin,	PCS	1
44	Magic painted with phi 4 * 200 mm, white magic,	PCS	2
45	Gasket 48 * 48 * 2 mm, blunt 20 heart round, black EVA single-sided adhesive gasket,	PCS	2
46	Stickers 3 phi * 500 mm, black stickers,	PCS	3
47	Gasket 380 * 9 * 1.5 mm, black bar single-sided adhesive EVA gasket,	PCS	2
48	Iron 203.4 * 123.4 * 1.5 mm, baked black plate, printing	PCS	1
49	Package material 0505-34 ypm040w00066 (pioneer DM - 40 / CMXE)	PCS	1
50	Painted plastic bags 380 * 420 * 0.5 mm, membrane pearl cotton punching bag, printed in pioneer	PCS	2
51	Poly dragon pearl cotton, pioneer DM - 40 with four pieces of A set of four pieces of print all black word	PCS	1
52	Poly dragon pearl cotton, pioneer DM - 40 with four pieces of A set of	PCS	1
53	Sticker 166 * 133 mm, color box carton sticker pioneer DM - 40 / CMXEG, black white, glossy paper	PCS	4
54	50 * 20 mm sticker serial number stickers (serial number production years), pioneer DM - 40 / CMXEG, white background and black text	PCS	3
55	32 * 14 mm bass stickers, stickers pioneer DM - 40 share, white background and black text, coated paper	PCS	2
56	32 * 14 mm high stickers, stickers pioneer DM - 40 share, white background and black text, coated paper	PCS	2
57	Plastic bags 150 * 200 * 0.5 mm, membrane pearl cotton bags,	PCS	1
58	Punching bag 200 * 340 * 0.035 mm, PE bags,	PCS	1
59	Print specifications, pioneer DM - 40 share, B5 paper book 80 g, monochrome, binding	PCS	1
60	Box 37.4 * 25.3 * 32 cm color box, pioneer DM - 40 share, 300 g B3B3 double rough hole, light plastic, 4 c 1 specifically	PCS	1
61	Carton is 39.2 * 26.8 * 33.8 cm, A = A carton, pioneer DM - 40 / CMXEG/SYXEG sharing, 1 PRS/CTN	PCS	1
62	Clapboard 35 * 10.5 cm, B3B clapboard, DM - 40 pioneer	PCS	1
63	Painted sticker 10 phi green sticker used in the United States,	PCS	1
64	DM - 40 host, pioneer, DM - 40, ul, mass production,	PCS	1

65	PCBA semi-finished products, DM - 40, motherboard, DIP process test,	PCS	1
66	PCBA semi-finished products, DM - 40, motherboard, SMD outgoing,	PCS	1
67	Capacitor, SMD, 101/50 v., 0603, NPO, halogen temporal 5 K	PCS	4
68	Capacitor, SMD, 102/50 v., 0603, X7R, halogen temporal 10 K	PCS	2
69	Capacitor, 10 SMD103/100 v0603x7r halogen	PCS	1
70	Capacitor, SMD, 104/100 v., 0603, X7R, halogen temporal 10 K	PCS	19
71	Capacitor, SMD, 105/25 v., 0603, X5R, halogen temporal 10 K	PCS	4
72	Capacitor, SMD, 106/10 v., 0603, X5R, halogen 10 RATA	PCS	8
73	SMD resistor, SMD10 $\Omega$ 1/10 w + 103	PCS	9
74	SMD resistor, SMD47 $\Omega$ 1/4 w + 506	PCS	2
75	SMD resistor, SMD1K $\Omega$ 1/10 w + 103	PCS	6
76	Inch moves midian , SMD, only 2.2 K, w - 0603, 1/10 halide 5 each GEO	PCS	1
77	SMD resistor, SMD10K $\Omega$ 1/10 w + 103	PCS	16
78	SMD resistor, SMD4.3 $\Omega$ 1/10 w + 103 K	PCS	2
79	SMD resistor, SMD47K $\Omega$ 1/10 w + 103	PCS	3
80	SMD resistor, 100K $\Omega$ , 1/10W-0603, $\pm$ 1%	PCS	6
81	SMD resistor, SMD220K $\Omega$ 1/10 w + 103	PCS	1
82	SMD resistor, SMD1.8 $\Omega$ 1/10 w + 103 K	PCS	2
83	SMD resistor, SMD18K $\Omega$ 1/8 w + 105	PCS	2
84	SMD resistor, SMD0 $\Omega$ 1/10 w + 103	PCS	2
85	SMD resistor, SMD220 $\Omega$ 1/8 w + 105	PCS	1
86	Inch moves midian , SMD, 22 k but, 1/10 w - 0603, halogen 1 each GEO	PCS	3
87	SMD resistor, SMD33K $\Omega$ 1/10 w + 103	PCS	3
88	SMD resistor, SMD10 $\Omega$ 1/8 w + 105	PCS	3
89	SMD resistor, SMD6.8 $\Omega$ 1/10 w + 103 K	PCS	2
90	SMD resistor, SMD680K $\Omega$ 1/10 w + 103	PCS	2
91	Electrostatic eliminator, SMD, SW0603V18 - B, 0603, SFI,	PCS	5
92	SMT inductance, SMD080510uH0. 5 a	PCS	1
93	SMT inductance, SMD10uH0603	PCS	5
94	Triode, SMD, 2 sc1815, SOT - 23, long telegram, NPN,	PCS	4
95	Triode, SMD, 2 sa1015, SOT - 23, long telegram, PNP,	PCS	1
96	Field effect tube, SMD, AOD4185, the TO - 252, ALPHA, 40 vp - ChannelMOSFET,	PCS	1
97	Field effect tube, SMD, AOD472A, the TO - 252 zhongguo kuangye daxue A25VN - CHANNEL,	PCS	1
98	IC、 SMD、 78 I12 89,WAYNOVA,	PCS	1
99	IC、 SMD、 79 I12 89,WAYNOVA,	PCS	1
100	IC, SMD, HT7533, SOT - 89, HOLTEK, no-load current is less than 20 ua	PCS	1
101	IC,SMDTL074SOP-14	PCS	3
102	IC, SMD, SN8P2751P8AD SOP8, brand: he, standby IC (RPG3), including software REV: A0	PCS	2
103	PCB, DJ_Compact motherboard, double deck, 88 * 86 * 1.6 mm, FR - 4, version: V1.0, double-sided white green oil	PCS	2
104	SMD, 100uF/16V, 6.3*5.4	PCS	5
105	Magnetic beads (inductance), SMD, $\Omega$ 600, 0603,	PCS	1

106	SMD resistor, SMD30K $\Omega$ 1/10 w + 103	PCS	2
107	SMD resistor, SMD12K $\Omega$ 1/10 w + 103	PCS	2
108	SMD resistor, SMD4.7 $\Omega$ 1/10 w + 103 K	PCS	2
109	SMD resistor, SMD18K $\Omega$ 1/10 w + 103	PCS	4
110	IC, DIPTDA726525W * 211 pin double row of ST	PCS	2
111	Electrolytic capacitor, DIP2200uF / 25 v + / - 20.5 * 25105 °C spacing of 5 mm in black	PCS	4
112	Common-mode inductor, DIP, 95 uh, overall dimensions: 19 * 8 mm, plus or minus 30 stocks round 11 (core D5AT17. 5 * 6.35 * 9.5)	PCS	1
113	Socket, DIPPitch3.96 MM3PIN upright	PCS	1
114	Socket, DIPPitch2.0 MM4PIN upright	PCS	1
115	Socket, DIPPitch2.0 MM7PIN upright	PCS	1
116	Input lotus, AV2-8.4-32 c (gold plated on red under white)	PCS	1
117	Headset input socket, CKX - 3.5-24 (5 pins)	PCS	1
118	MET capacitance, DIP, 122/100 v, pin pitch 5 mm braided belt, plus or minus 2 $\mu$ color	PCS	10
119	Single, single red 18 awg, 50 + / - 5 MM, 110 female terminal at one end and casing 0.4 MM thick, tin on 3 MM at one end,	PCS	1
120	Single, single black 18 awg, 50 + / - 5 MM, 110 female terminal at one end and casing 0.4 MM thick,	PCS	1
121	Single feeder, single red 18 awg, 150 + / - 5 MM, one end of the 205 female terminal add 0.4 MM thick casing,	PCS	1
122	Single feeder, single black 18 awg, 150 + / - 5 MM, 205 female terminal at one end and casing 0.4 MM thick,	PCS	1
123	Single feeder, single red 20 awg, 150 + / - 5 MM, one end of the 110 female terminal add 0.4 MM thick casing,	PCS	1
124	Single feeder, single black 20 awg, 150 + / - 5 MM, one end of the 110 female terminal add 0.4 MM thick casing,	PCS	1
125	Insulation gasket, phi 3 mm white transistor pads TW - 1	PCS	1
126	Mica sheet, 29 * 22 * 0.1 MM	PCS	1
127	Screw, PM3 * 10 black zinc and hard	PCS	1
128	Heat sink, aluminum extrusions, material: grey, 93 * 65 * 29.5 mm,	PCS	2
129	Pi pet Wa midian DIP1/2 w4. 7 but halide 5 full ning $\sim$ spinning	PCS	2
130	Silicone rubber glue, 704	PCS	5
131	The power cord, ul has polarity two L = 1830 mmnispt - 22 pin18awg * 2 c black eight by the tail	PCS	1
132	Audio line, 1 pin, L = 1500 mm, 3.5 stereo turned red and white gold plated RCA plug head,	PCS	1
133	PCBA DJCOMPACT4, semi-manufactured goods, headset plate, DIP processing test,	PCS	1
134	PCBA DJCOMPACT4, semi-manufactured goods, headset board, SMD outgoing,	PCS	1
135	Electrostatic eliminator, SMD, SW0603V18 - B, 0603, SFI,	PCS	3
136	SMT inductance, SMD10uH0603	PCS	2
137	Magnetic beads (inductance), SMD600 $\Omega$ 0603	PCS	1
138	PCB, DJ_Compact headset board, double, 33.7 * 17.5 * 1.6 mm, FR - 4, version: V1.0, double-sided white green oil	PCS	1

139	Socket, DIPPitch2.0 MM4PIN upright	PCS	1
140	Headphone socket, DIP, 5 pin, switch, 3.5 stereo headphone output,	PCS	1
141	PCBA DJCOMPACT4, semi-manufactured goods, VOL plate, DIP processing test,	PCS	1
142	LED interval column, and Kang Yang models: LEDS - 4 s,	PCS	1
143	Socket, DIPPitch2.0 MM7PIN upright	PCS	1
144	Light-emitting diodes (leds), DIP, white hair Bai Guangpu light, astigmatism, round 2 p, phi is 3 mm,	PCS	1
145	PCB, DJ_Compact volume board, double deck, 38 * 16.5 * 1.6 mm, FR - 4, version: V1.0, double-sided white green oil	PCS	1
146	DIP,B20KΩ, ±10%	PCS	1
147	EVA, EVA, φ 8.5 * 1 mm, single-sided lamination	PCS	1
148	PCBA DJCOMPACT4, semi-manufactured goods, power plate, DIP processing test,	PCS	1
149	PCBA DJCOMPACT4, semi-manufactured goods, power board, SMD outgoing,	PCS	1
150	Capacitor, SMD, 102/500 v., 1206, X7R, halogen 10 RATA	PCS	2
151	Capacitor, 10 SMD104/100 v0805x7r halogen	PCS	1
152	Y5V 105/50V,SMD1206	PCS	2
153	SMD resistor, SMD2.2 Ω 1/4 w + 106	PCS	1
154	Inch moves midian , SMD, 0 but, 1/4 w - 1206, halogen 5 each GEO	PCS	2
155	SMD resistor, SMD22 Ω 1/4 w + 106	PCS	3
156	SMD resistor, SMD47 Ω 1/4 w + 506	PCS	1
157	SMD resistor, SMD150 Ω 1/4 w + 506	PCS	1
158	SMD resistor, SMD10K1/8 w + 105	PCS	1
159	SMD resistor, SMD2K1/8 w + 105	PCS	1
160	SMD resistor, SMD1.5 Ω 1/8 w + 505 K	PCS	2
161	Common diode, SMD, LL4148, DO - 213 aa, sast,	PCS	1
162	Ac rectifier diode, SMDFM4007DO - 214	PCS	2
163	IC,SMD,TL431SOT-23	PCS	1
164	IC, SMD, NE1102, encapsulation SOT - 26,	PCS	1
165	PCB, power board, single-layer, 88 * 60 * 1.6 mm, FR - 4, v1.0, double-sided white green oil, anti oxidation treatment	PCS	2
166	Capacitor, 10 SMD102/500 v1206x7r halogen	PCS	2
167	Varistor, DIP, 14 d471, pin pitch 7.5 MM,	PCS	1
168	The fuse, DIP, 3.15 A, 250 v, 8 * 4 * 7 mm, slow type, type: MST3.15 brand: huaheng	PCS	1
169	Light lotus root, PC817DIP4 encapsulation	PCS	1
170	Field effect tube, DIP, BR10N60, the TO - 220 - f, 10. A, 600 v,	PCS	1
171	Socket, DIPPitch3.96 MM3PIN upright	PCS	1
172	Socket, DIPITCH3.96 MM3PIN into hollow	PCS	1
173	Common-mode inductor,DIP,850uh, P=5 * 5 mm, plus or minus 30% ORE=12*6*4 mm of thread are UL 125 °C	PCS	1
174	The bridge pile, DIP, GBU4J sector,	PCS	1
175	Diode, DIP, SR5200, 5 a / 200 v,	PCS	2
176	High frequency transformer, AC100-230 - v, 17 v * 2, ETD - 34 skeleton,	PCS	1

177	Electrolytic capacitor, DIP10uF / 50 v + 20 o11105 °C pin pitch 2.5 MM black braid	PCS	1
178	Jump line, DIP phi 0.6 * 9 mm	PCS	1
179	Heat sink, aluminum plate, material: grey, 25 * 14 * 23 mm,	PCS	2
180	Screw, flat mechanical tooth KM3 * 8 mm black zinc plating	PCS	1
181	Fin nut, M3 * 2.5 outside hexagonal black zinc	PCS	1
182	Insulation paper, quickly, 20 * 15 * 0.4 MM, red for a quick ba page 3 m glue	PCS	1
183	Silicone rubber glue, 704	PCS	10
184	Panel, manufacture, material, color, 203.4 * 123.4 * 1.5 MM, black varnish, silk screen, white,	PCS	1
185	EVA,EVA,123.4*10*1.5MM,	PCS	2
186	EVA,EVA,183.4*10*1.5MM,	PCS	2
187	EVA,EVA,45*40*15MM,	PCS	1
188	Plastic column, nylon, L long 14, tapping the M3 teeth on both ends,	PCS	7
189	Copper columns, 14 * 4.75 mm wear outside hexagonal M3 teeth	PCS	1
190	Screws, round head, 3 * 6 mm, no, black zinc plated, do not need to add hard	PCS	16
191	Screw, PM3 * 10 black zinc and hard	PCS	2
192	Cable ties, Φ 3 * 100 mm, white nylon	PCS	4
193	Heat shrinkable casing, phi 25 * 38 mm 125 °C of heat-resistant black UL certification	PCS	2
194	Fin nut, M3 * 2.5 outside hexagonal black zinc	PCS	2
195	The power switch, DIP, KCD - 1174 p, 10 a / 125 vac, double 4 p2t, suppliers: ring,	PCS	1
196	Single, single red double insulated wire UL167218AWG, 100 + / - 5 MM, 205 female terminal at one end and casing 0.4 MM thick	PCS	1
197	Single, single black double insulated wire UL167218AWG, 100 + / - 5 MM, 205 female terminal at one end and casing 0.4 MM thick	PCS	1
198	Ribbon cable, red and black double insulated wire UL167218AWG,100+/- 5MM	PCS	1
199	Ribbon cable, red and black blue insulated wire UL167218AWG, 3 pin,180+/- 5 mm	PCS	1
200	Ribbon cable, 26 awg, 4 p, 430 + 10 mm, with 2.0 plug on both ends, synthetic,	PCS	1
201	Line line, 26 awg and 7 p, 400 plus or minus 10 mm, with 2.0 plug on both ends, synthetic,	PCS	1
202	Heat shrinkable casing, phi 5 * 10 mm black	PCS	2
203	Power socket, DIP input ST - ksm2pin8 A03-004 words with polarity	PCS	1
204	Key, T04-011-01 - red and black plastic buttons,	PCS	1
205	Single-hole fast paper pad, 42 * 16 * 1 mm red than single-sided paper for glue	PCS	2
206	Sponge, sponge, 56 * 120 * 5 mm, black, one side for glue	PCS	1
207	Screw, PA3 * 8 (black zinc plating)	PCS	1
208	Screw, PM, 3 * 8, mechanical teeth, nylon material	PCS	2
209	Sponge, sponge, 350 * 36 * 5 mm, single for glue	PCS	2

210	Knob, ABS, material: black, $\Phi$ 14.5 * 13 mm, paint number is: 699915 dumb black	PCS	1
211	Nut, M7 * P0.75, nickel plating, 5 #, zinc alloy for 48 hours salt spray test, surface clean	PCS	1
212	Woofers, 5', 4 $\Omega$ , black fiberglass composite basin, glue, magnetic	PCS	1
213	Painted round iron, 76*24.95*22*5, white, electricity, back convex:40*30*3 mm	PCS	1
214	Painted magnets, 15, 80 * 32 * y	PCS	1
215	Painted washers, 76 * 27.2 * 5, the M5 * 4, 50, electric white add anchor point,	PCS	1
216	Painted terminal, 187 * 110 * 0.8, the blackboard and parallel type 45 °, silver plated,	PCS	1
217	Voice coil, 25 * * 3.6, 33 ASV, 0.21, 2 l * 2, 120 ° from the top 6 mm synthetic 12 strands of silver wire, phi 3 * 4 holes	PCS	1
218	Brocade silk, 12, 70 mm, silver wire,	PCS	2
219	Painted screws, 5 * 5, umbrella head is 8.6 mm, flat tail machine, electric black zinc (non-standard),	PCS	4
220	Painted magnets, 80 * 40 * 10, Y25	PCS	1
221	Painted gaskets, 94 * 84 * 6 h, black paper,	PCS	1
222	Elastic wave, u 94 * 25 * 1.8, 1.0/50 g, 20 yarn, blended down seven wave in NC - 2046,	PCS	1
223	Dust cover, u * 8 mm, 38 C - 38 convex cap mist side PU dust cover, thickness: 0.7 mm,	PCS	1
224	Painted basin, 5', 25 phi, black basin black paper composite bulletproof, on 65 ° A black rubber edge	PCS	1
225	Basin, 5' six hole gap circle is ruffled, baking amaurosis, holding,	PCS	1
226	Loudspeakers, black plastic plate, 25 phi, 4 $\Omega$ , black silk,	PCS	1
227	Painted round iron, 60 * 24.95 * 16.5 * 4-31, electric white, flat, cylindrical concave 19 * 8 * 6 mm (a),	PCS	1
228	Washers, 60 * 26.5 * 3, two bumps M3 * 3 (1.8 2.8 * 1.8 * 3.5), 45.7, the electricity is white, cold rolled sheet metal (KRK)	PCS	1
229	Painted membrane, 36 * 25, black silk, YFKA - 2536-01	PCS	1
230	Painted terminal, 62-3 - PIN - 2, no insulation board, flat, silver plated,	PCS	1
231	Painted terminal, 62-3 - PIN - 3, no insulation board, flat, silver plated,	PCS	1
232	Painted gaskets, 59 * 32 * 0.15 mm, single-sided lamination kraft paper gasket and five hole,	PCS	1
233	Painted magnets, 65 * 32 * 12, Y30 space	PCS	1
234	High medium plate, phi is 58.5 * 3.55, 25 phi, black plastic plate, PC material	PCS	1
235	Sound-absorbing cotton, phi phi 19 * 4 * 2 mm, round white wool felt	PCS	1
236	Voice coil, taken 25 * 5.3 * 3.8, ASV, 0.11 CCAW, 2 l * 2, add two brocade silk 180 ° from the top 1.6 MM reverse,	PCS	1
237	Painted screws, 3 * 6, round head, flat tail machine, electric black zinc,	PCS	3
238	Painted sticker, 10 phi green sticker used in the United States,	PCS	3
239	After shell, 5', MDF, 317 * 187 * 208 mm F - 533-3 DPVC,	PCS	1
240	Duct, 64 * 29.5 * 105, black plastic right duct ABS material, A/b / 0 0	PCS	1
241	Duct, 64 * 29.5 * 105, black plastic left duct ABS material, A/b / 0 0	PCS	1



242	Tight gas shell, 79.5 * 43.5 * 56.5 mm, ABS material, black plastic tight gas box,	PCS	1
243	Tight gas shell, 53 * 43 * 14.5 mm, ABS material, black plastic tight gas box,	PCS	1
244	Knob, ABS material, phi 24 * 14.5 mm, plastic knob	PCS	1
245	Stents, 76 * 50 * 19, ABS material, black plastic bracket, A/b / 0 0	PCS	1
246	Gaskets, 301 * 170.4 * 1.5, black EVA single-sided '7' word adhesive gasket,	PCS	2
247	Aprons, 5 ', ABS, 127 * 9 mm red highlights, A/b / 0 0	PCS	1
248	Former shell, 5 ', ABS317 * 187 * 49.5 plastic, painted A/b / 0 0	PCS	1
249	Painted screws, 3 * 8, round head, BT, black zinc,	PCS	6
250	Screws, 3.5 * 30, umbrella head, A tooth, black zinc,	PCS	4
251	Screws, 3.5 * 20, umbrella head, A tooth, black zinc,	PCS	16
252	Screw, 4 * 10, round head, BT, black zinc,	PCS	6
253	Screws, 2.5 * 6, round head, BT teeth, electric blue zinc,	PCS	2
254	Painted screws, 4 * 15, round head, A tooth, black zinc,	PCS	10
255	Painted gaskets, 135 * 119 * 2.0 mm, black EVA single-sided adhesive,	PCS	1
256	Sound-absorbing cotton, 18 mm, 720 * 180 * 27 g, white fire sound-absorbing cotton	PCS	1
257	23 black plastic stents, 54 * * 43 texture	PCS	1
258	Lamp cover, 54 * 40.5 * 21 PC transparent material	PCS	1
259	Knob, 24 * 14.5 black silicone	PCS	1
260	Key cover, 16.5 * 17.5 * 12 black plastic hot silver screen printing	PCS	1
261	11 * 8 * 16 buttons, black plastic	PCS	1
262	Spring, 4.5 * 3.7 * 0.4 * 9.0	PCS	1
263	Painted plastic bags, 500 * 600 * 0.5 mm, membrane pearl cotton punching bag, printed in pioneer is special	PCS	1
264	Gift box, 31.8 * 27.3 * 38.5 cm color box, pioneer S - DJ50X - W/use, 300 g B3B3 coarse pit 4 c 1 designed light glue	PCS	1
265	Poly dragon, pearl cotton, pioneer S - DJ50X with four pieces of A set of four pieces of print all black word	PCS	1
266	Poly dragon, pearl cotton, pioneer S - DJ50X, four pieces of A set of four pieces of A set of	PCS	1
267	Carton, 33.6 * 29.1 * 40.7 cmA = A carton, pioneer S - DJ50X - W, 1 PCS/CTN	PCS	1
268	Plastic bags, 200 * 340 * 0.035 mm, punching bag, PE	PCS	1
269	Clapboard, 102.6 * 90 cma = A clapboard	PCS	0.037
270	Stickers, 25 * 25 white green word 'e' sticker, light plastic coated paper,	PCS	1
271	Trademark label stickers, 90 * 70 mm, KM212HARMAN, black white, glossy paper (back strong viscose), light plastic,	PCS	1
272	Shipping address label stickers, 120 * 54 mm, white background and black text, coated paper, KM212HARMAN use	PCS	1
273	Product serial number stickers, stickers, 50 * 12 mm HARMANKRM212 use, license, coated paper,	PCS	3
274	Stickers, 86 * 20 mm inner box serial number stickers, HARMANKRM212 use, license, coated paper,	PCS	2

275	Print, user manuals, KM212HARMAN, 431.8 * 279.4 mm, 128 g coated paper, printing on both sides, folded after the size 215.9 * 279.4 mm,	PCS	1
276	Printed matter, warranty card, China haman ES80BK - C	PCS	1
277	Print, QC certificate, KM208210212HARMAN Shared with hang rope is about 200 mm long,	PCS	1
278	Print, QC certificate, KM series HARMAN sharing, gray blue white seal, two sides printing, book paper is 200g	PCS	1
279	Red line, 20 cm, A red rope	PCS	1
280	Chip capacitor, SMD, 103/50 v., 0603, X7R, halogen 5 each GEO	PCS	1
281	22 uf Electrolytic capacitor, SMD / 35 v halogen 10 6.3 * 5.5 85 ruthfordium NP arrowheads neo-ichinose picks	PCS	1
282	Chip capacitor, SMD, 104/50 v., 0603, X7R, halogen 10 each GEO	PCS	23
283	Chip capacitor, SMD, 106/10 v., 0603, X5R, halogen 10 RATA	PCS	1
284	Electrolytic capacitor, SMD, 10 uf / 25 v, 4 * 5.4, halogen 20 % 5 ruthfordium	PCS	1
285	Electrolytic capacitor, SMD, 100 uf / 25 v, 6.3 * 7.7, halogen 20% 5 ruthfordium Ren nichicon	PCS	1
286	METcapacitor, DIP 332/100 v halogen 5	PCS	1
287	METcapacitor, DIP, 302/100 v, 5 mm, plus or minus 5 color braid type	PCS	1
288	5 MM METcapacitor,DIP,104/100V, BianDaiShi *6.5*2.5,±5%	PCS	2
289	Chip capacitor, SMD, 22 pf / 50060 3, NPO, halogen 5 each GEO	PCS	2
290	METcapacitor, DIP 152/100 v halogen 5	PCS	1
291	METcapacitor, DIP 103/100 v halogen 5	PCS	2
292	METcapacitor,DIP,124/100V, (7.2*6.5*2.5) 5MM,±5%	PCS	2
293	METcapacitor,DIP,224/100V,5MM 7.2*7.5*3.5,±5%	PCS	1
294	7.2 METcapacitor,DIP,223/100V,5MM *6.5*2.5,±5%	PCS	1
295	METcapacitor, DIP, 122/100 v, 5 mm braided belt, plus or minus 2 ± color	PCS	1
296	METcapacitor,DIP,154/100V,5MM 7.2*7.5*3.5,±5%	PCS	1
297	METcapacitor, DIP 183/100 v hazel halide 5 % 5 mm	PCS	1
298	Socket, DIP into 6 pin Pitch 2.0 MM	PCS	1
299	Socket, DIP Pitch 2.0 MM 3 pin plug	PCS	2
300	Socket, DIP - single vertical, 9 pin, pitch 1.25 MM, upright,	PCS	1
301	Socket, DIP VH3.96 MM 2 pin inserted straight	PCS	2
302	Socket, DIP VH3.96 MM 5 pin vertical	PCS	1
303	Schottky diode, SMD, BAS316, SOT - 323, NXP,	PCS	10
304	Bridge pile, DIP, KBL406, flat round feet, brand: WELLINE,	PCS	1
305	The bridge pile, SMD, DBS157S, 1000 v / 1.5 A, SDIP,	PCS	1
306	Ordinary diodes, SMD, 1 n4148ws, SOD323,	PCS	1
307	220 uf Electrolytic capacitor, SMD / 16 v 6.3 * 7.7 halogen 20% 105 ruthfordium	PCS	3
308	10 uf Electrolytic capacitor, SMD / 35 v 5 * 5.4 halogen 20% 105 ruthfordium	PCS	1
309	Electrolytic capacitor, SMD, 10 uf / 16 v 4 * 5.4 MM, 4 * 5.4 MM, halogen 20% 5 ruthfordium	PCS	1
310	Electrolytic capacitor, SMD, 47 uf / 35 v, 6.3 * 5.4, halogen 20% 5 ruthfordium	PCS	1
311	Magnetic beads (inductance), SMD 300 0805 500 ma BDC63S600N Ω	PCS	1

312	Chip bead,SMD,220R - 100 MHz,2.0A,0603,±20%: SUNLORD	PCS	2
313	Triode, SMD, 2 sa1015, SOT - 23, long telegram, PNP,	PCS	2
314	Triode, SMD, 2 sc1815, SOT - 23, long telegram, NPN,	PCS	4
315	Field effect tube, SMD, XSTR MMBFJ113 N - CHNL jfets SW TA, SOT - 23, brand: FAIRCHILD,	PCS	1
316	The Chip resistor, SMD 10 k but 1/10 w halogen 1% 0603	PCS	7
317	The Chip resistor, SMD 470 only 1/10 w halogen 1% 0603	PCS	2
318	The Chip resistor, SMD 4.7 K but 1/10 w halogen 1% 0603	PCS	6
319	1/10 Chip resistor, SMD, only 3.3 K, w - 0603, halogen 1 each GEO	PCS	10
320	Chip resistor, SMD 1 k only 1/10 w halogen 1% 0603	PCS	5
321	Chip resistor, SMD 47 k but 1/10 w halogen 1% 0603	PCS	3
322	The Chip resistor, SMD 2.2 K but 1/10 w halogen 1% 0603	PCS	2
323	Chip resistor, SMD 22 k but 1/10 w halogen 1% 0603	PCS	2
324	The Chip resistor, SMD 220 only 1/10 w halogen 1% 0603	PCS	1
325	Chip resistor, SMD 39 k but 1/10 w halogen1% 0603	PCS	2
326	The Chip resistor, SMD 20 k but 1/10 w halogen 1% 0603	PCS	5
327	Chip resistor, SMD 82 k but 1/10 w halogen 1% 0603	PCS	2
328	Chip resistor, SMD 1 m only 1/10 w halogen 1% 0603	PCS	1
329	Capacitor,SMD,NCP18XH103J03RB,10K 5% 0603,NTC	PCS	1
330	However, Chip resistor, SMD, 10 k 1/4 w - 1206, halide 5 each GEO	PCS	2
331	Chip resistor, SMD, only 10, a quarter of the w - 1206, halogen five	PCS	2
332	Chip resistor, SMD 56 k but 1/10 w halogen 1% 0603	PCS	2
333	Chip resistor,SMD,33Ω,1/10W-0603,±5%	PCS	2
334	The Chip resistor, SMD 100 only 1/10 w halogen 1% 0603	PCS	2
335	The Chip resistor, SMD 24.3 K but 1/10 w halogen 1% 0603	PCS	2
336	The Chip resistor, SMD 8.06 K but 1/10 w halogen 1% 0603	PCS	2
337	Chip resistor, SMD 47 k but 1/10 w halogen 1% 0603	PCS	1
338	The Chip resistor, SMD 0 but 1/10 w halogen 1% 0603	PCS	4
339	The Chip resistor, SMD 1.5 K but 1/10 w halogen 1% 0603	PCS	1
340	Chip resistor, SMD 13 k but 1/10 w halogen 5% 0603	PCS	1
341	Chip resistor, SMD 4.7 K but 1/10 w halogen 5% 0603	PCS	1
342	The Chip resistor, SMD 5.9 K but 1/10 w halogen 1% 0603	PCS	1
343	The Chip resistor, SMD 620 only 1/10 w halogen 1% 0603	PCS	1
344	Chip resistor, SMD 1/10 w 47.5 K but halide 1% 0603	PCS	1
345	Chip resistor, SMD 180 k but 1/10 w halogen 1% 0603	PCS	1
346	1/10 Chip resistor, SMD, only 7.68 K, w - 0603, halogen 1 each GEO	PCS	2
347	Chip resistor, SMD 12 k but 1/10 w halogen 1% 0603	PCS	1
348	The Chip resistor, SMD 6.2 K but 1/10 w halogen 1% 0603	PCS	1
349	Chip resistor, SMD 11 k but 1/10 w halogen 1% 0603	PCS	1
350	The Chip resistor, SMD 18 k but 1/10 w halogen 1% 0603	PCS	1
351	The Chip resistor, SMD 36.5 K but 1/10 w halogen 1% 0603	PCS	1
352	Chip resistor, SMD 3 k only 1/10 w halogen 5% 0603	PCS	1
353	Rotary switch, DIP, RS1202P1, horizontal single pole four file switch, 15 mm axle shaft,	PCS	2
354	IC,SMD,MC33078,SOIC-8,ST,	PCS	2

355	IC,SMD TL074 SOP-14	PCS	2
356	IC, SMD, SN8P2720 TSSOP20, with the program	PCS	1
357	IC,SMD,78L12 ,SOT-89,WAYNOVA,	PCS	1
358	IC, SMD, 79 L12 SOT- 89,WAYNOVA,	PCS	1
359	IC,TDA7296	PCS	2
360	Zener diode, SMD, 3.3 V / 0.5 W, DO - 213 aa,	PCS	1
361	Zener diode, SMD SOD - 123 aa 5.1 V 0.5 W	PCS	3
362	PCB, Nano, double deck, single board size 93 * 90 * 1.6 mm, FR - 4, four double green oil oxidation, a spell copper plate 1 oz	PCS	1
363	Chip capacitor, SMD, 101/50 v., 0603, NPO, halogen 5 each GEO	PCS	8
364	Chip capacitor, SMD, 104/50 v., 0603, X7R, halogen 10 each GEO	PCS	6
365	Chip capacitor, SMD, 105/25 v., 0603, X5R, halogen 10 RATA	PCS	1
366	Socket, DIP Pitch 2.0 MM 3 pin plug	PCS	1
367	Socket, DIP - single vertical, 9 pin, pitch 1.25 MM, upright,	PCS	1
368	Double diode, SMD BAV99 SOT23	PCS	3
369	Electrolytic capacitor, SMD, 10 uf / 25 v, 4 * 5.4, halogen 20% 5 rutherfordium	PCS	4
370	The Chip resistor, SMD 0 but 1/10 w halogen 1% 0603	PCS	3
371	Triode, SMD, 2 sc1815, SOT - 23, long telegram, NPN,	PCS	1
372	The Chip resistor, SMD 5.1 K but 1/10 w halogen 1% 0603	PCS	3
373	The Chip resistor, SMD 10 k but 1/10 w halogen 1% 0603	PCS	8
374	The Chip resistor, SMD 20 k but 1/10 w halogen 1% 0603	PCS	1
375	Chip resistor, SMD 22 k but 1/10 w halogen 1% 0603	PCS	1
376	The Chip resistor, SMD 0 but 1/10 w halogen 1% 0603	PCS	1
377	The Chip resistor, SMD 4.42 K but 1/10 w halogen 1% 0603	PCS	2
378	The Chip resistor, SMD 1.2 K but 1/10 w halogen 1% 0603	PCS	1
379	Chip resistor,SMD,100KΩ,1/10W - 0603 , ±1%	PCS	1
380	Chip resistor, SMD 220 k but 1/10 w halogen 1% 0603	PCS	1
381	Chip resistor, SMD 10 but 1/10 w halogen 1 % 0603	PCS	1
382	RCA, DIP, RCA - 24 ab puckering black nickel plating, sealed type,	PCS	1
383	IC,SMD,MC33078,SOIC-8,ST,	PCS	2
384	XLR plugs, DIP, 8 pin, models: NCJ6FA - V - 0,	PCS	1
385	6 pin ribbon cable, 24 awg, shielding, spacing of 2.0 MM, 150 MM in length, one end of the pin, the other end of the plug	PCS	1
386	PCB, Nano, double deck, single board size 90 * 30 * 1.6 mm, FR - 4, a spell ten double green oil oxidation, copper plate 1 oz	PCS	1
387	Three pin socket, DIP - single horizontal, hollow, PITCH 3.96 MM, curved foot 90 degrees,	PCS	1
388	Socket, DIP - single horizontal, 2 pin, PITCH 3.96 MM, curved foot 90 degrees,	PCS	1
389	capacitor,DIP,103/275V,10MM 22MM,无, ±10%	PCS	1
390	capacitor,DIP,104/280V, , ±10%	PCS	1
391	The Chip resistor, SMD 4.7 K but 1/10 w halogen 1%0603	PCS	4
392	Chip resistor, SMD, 0 but, 1/4 w - 1206, halogen 5 each GEO	PCS	2
393	Light emitting diode, SMD, white light, 0603, highlighting,	PCS	4

394	PCB, the Nano, single, single board size is 63 * 50.8 * 1.6 mm, FR - 1, a spell six double green oil oxidation, copper plate 1 oz	PCS	1
395	PCB, Nano, double deck, single board size 30 * 18.3 * 1.6 mm, FR - 4, a spell 32 double green oil oxidation, copper plate 1 oz	PCS	1
396	Potentiometer, DIP, 08, A5K, single horizontal, half shaft 12.5 MM	PCS	1
397	Socket, DIP Pitch 2.0 MM 3 pin plug	PCS	1
398	Socket, DIP - single vertical, 9 pin, pitch 1.25 MM, upright,	PCS	1
399	The Chip resistor, SMD 4.7 K but 1/10 w halogen 1% 0603	PCS	7
400	Triode, SMD S8050 NPN SOT - 23 long telegram	PCS	7
401	Light emitting diode, SMD transparent emerald PuLiang 0603 (hundred hong number: BL - HG836G - TRB)	PCS	4
402	Light emitting diode, SMD, orange PuLiang, 0603,	PCS	2
403	Light emitting diode, SMD, glowing red PuLiang, 0603,	PCS	1
404	Chip resistor, SMD 22 k but 1/10 w halogen 1% 0603	PCS	1
405	Transformer, IN: 220 V / 50 hz AC: 15.5 V * 2 * 2 1.8 A 13.5 V 1.2 A,	PCS	1
406	The power switch, DIP, 1 pit, 8 a / 250 v,	PCS	1
407	Ribbon cable, 1672 # 20 awg, 2 p, 3.96 L = 450 mm, and lines, end plug, peel tin 5 mm at one end,	PCS	1
408	Ribbon cable and UL1007 # 26, 9 PIN, P = 1.25, L = 450 mm, and lines, on both ends of the plug, synthetic,	PCS	1
409	Ribbon cable, 24 awg, 3 pin, red and white line, and lines, spacing of 2.0 MM, length: 450 MM, two plugs, synthetic,	PCS	1
410	Ribbon cable, 24 awg, 3 pin block, spacing of 2.0 MM, length: 450 MM, plug at both ends and the middle ground, synthetic,	PCS	1
411	Horn line, 1015 # 20 awg and lines, 2 pin, 350 mm, a 187 110 female end/a stripping, black thick lines terminal 0.4,	PCS	1
412	Horn line, 1015 # 20 awg and lines, 2 pin, 400 mm, a 187 110 female end/a stripping, red and black lines terminal thickness of 0.4	PCS	1
413	The power cord, 52 KE KE - - 24 227 iec53 3 * 0.75 mm <sup>2</sup> , L = 1500 mm, 3 c certification,	PCS	1
414	Single, 1015 18 awg # 187 0.8 thick terminals and transparent sheath 4.3 round terminal toothed green note yellow 100 mm	PCS	1
415	Fuse, 1 a, 250 v, 5 * 20 mm, phi, glass tube with UL/CSA/PSE certification (manufacturers huade/xu)	PCS	2
416	Power sockets, DIP, 3 pin, SC - 9 f 10 a / 250 v, good (manufacturers bear/hon d),	PCS	1
417	UV table, TR - 35 - S0415	PCS	1
418	UV table driven, TA7318P driver board	PCS	1
419	Panel, 289.4 * 164.4 * 2 manufacture T = 2.0 surface of the lacquer that bake flat black paint, silk screen	PCS	1
420	Radiator, 100 * 44.9 * 51.2 MM aluminum extrusion shape, degreasing aluminum instinctive quality	PCS	1
421	Knob, black with white software instructions $\Phi$ 13 H = 15 mm	PCS	2
422	EVA, 11 * 289.4 * 1.5 single gum black	PCS	2
423	EVA, 11 * 139.4 * 1.5 single gum black	PCS	2
424	EVA, 35 * * 24 31 single gum black	PCS	1
425	Quick ba paper 90 * 6 * 0.3 single-sided lamination	PCS	1

426	EVA1,EVA,80 * 18 * 1.5mm	PCS	1
427	EVA2, EVA, 20 * 20 * 1.5mm	PCS	1
428	Copper columns, hexagonal brass rod H4.75 * 16 end attack tooth M3 tapping outside tooth M3 * 4 * 6 end	PCS	2
429	Insulation gasket, phi 3 mm white transistor pads TW - 1	PCS	2
430	Mica sheet, 24 * 0.1 * 22 MM puckering	PCS	2
431	Screws, round head cut tail from tapping the PT3 * 8 mm and hard black zinc plating	PCS	3
432	Screws, round head, 3 * 6 mm, no, black zinc plated, do not need to add hard	PCS	7
433	Screw, flat mechanical tooth KM3 * 8 mm black zinc plating	PCS	2
434	Screw, PM4 * 16 black zinc plated SWC	PCS	4
435	Screw, PM3 * 10 black zinc and hard	PCS	1
436	Self tapping screw, rounded head broken tail hardened 3 * 6 mm (black zinc plating)	PCS	2
437	Grounding stickers, printed grounding symbol (RP) series, no change	PCS	1
438	Nine tooth washers, phi phi is 6.9 * 3.2 * 0.8 MM electric white chrysanthemum meson M3	PCS	1
439	Flat washers, phi phi 9 * 4 * 1.0 MM black zinc plating	PCS	4
440	Spring washers, phi phi is 6.6 * 4 MM * 1.3 MM black zinc plating	PCS	4
441	5 mm thick outside hexagonal nut, M4 * black zinc plating	PCS	4
442	Fin nut, M3 * 2.5 outside hexagonal black zinc	PCS	3
443	18 * 3 mm black rubber gasket, 35 * single for 3 m high temperature resistant phi 4.5 puckering	PCS	4
444	Cable ties, $\Phi$ 3 * 150 mm, white nylon	PCS	2
445	Sponges, and 50 * 300 * 5 mm, black flame retardant fire	PCS	6