

Technical Manual

JBL PD6322/43-WH



PROFESSIONAL

SPECIFICATIONS

ACOUSTIC & ELECTRICAL SPECIFICATIONS:

- Nominal Impedance: 4 ohms
- Frequency Range (-10 dB): 41 Hz to 18 kHz
- Frequency Response (± 3 dB): 49 Hz to 16 kHz
- Coverage Pattern: 40° x 30°
- Passive Crossover: 1.7 kHz
- Transducer Power Ratings
 LF: 1200 W (4800 W Peak, 100 hrs)
 MF: 350 W (1400 W peak), 100 hrs
 HF: 75 W (300 W peak), 2 hrs (AES)
- Long-Term System Power
 Bi-amp Passive: 1200 W (4800 W peak)
 M/HF: 300 W (1200 W peak)
 100 hrs.Rating (IEC)
- Maximum SPL:
 Tri-amp mode:
 LF: 128 dB-SPL cont avg (134 dB peak)
 MF: 137 dB-SPL cont avg (143 dB peak)
 HF: 135 dB-SPL cont avg (141 dB peak)
- Passive mode: 136 dB-SPL cont avg (142 dB peak)
- System Sensitivity (1W @ 1m): Passive Mode: 111 dB-SPL (M/H only)

SYSTEM COMPONENTS:

- Cabinet: Enclosure (Not For Sale)
- Grille: 352235-001 (BK), 352235-003 (WH)
- Low Frequency Driver: 2 x 2206H 300 mm (12 in) driver with 100 mm (4 in) voice coil
- D.C.Resistance: 5.3 ohms +/- 10% (each device)

SYSTEM COMPONENTS: (CONT'D) by HARMAN

- Mid Frequency Driver: CMCD-82H cone mid-range compression driver with integral 200 mm (8 in) Differential Drive® dual 75 mm (3.0 in.) voice coil driver
- D.C.Resistance: 5.1 ohms +/- 10%
- High Frequency Driver: 2432H, 38 mm (1.5 in) exit compression driver with 75mm (3.0 in.) voice coil
- D.C.Resistance: 4.0 ohm +/- 0.2 ohm
- Waveguides:
 MF: PT-N43MF 600 x 600 mm (24 x 24 in)
 HF: PT-H43HF 300 x 300 mm (12 x 12 in)

AURAL SWEEP TEST SPECIFICATIONS:

- A. System.Aural Sweep Test: 7.0V Input, 50 Hz to 21 kHz
- B. L.F. Aural Sweep Test: 10.0V Input, 20 Hz to 1.0 kHz (each)
- B. M.F. Aural Sweep Test: 7.0V Input, 20 Hz to 1 kHz
- C. H.F. Aural Sweep Test: 3.0V Input, 300 Hz to 1 kHz

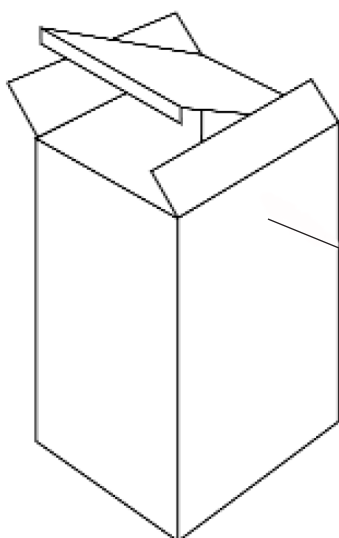
PHYSICAL SPECIFICATIONS:

- Enclosure Dimensions: 991 x 673 x 897 mm (H x W x D in vertical orientation): (39.0 x 26.5 x 35.3 in)
- Net Weight: 87.3 kg (192 lb)

WARRANTY INFORMATION:

- Refer to Warranty Statement posted on line

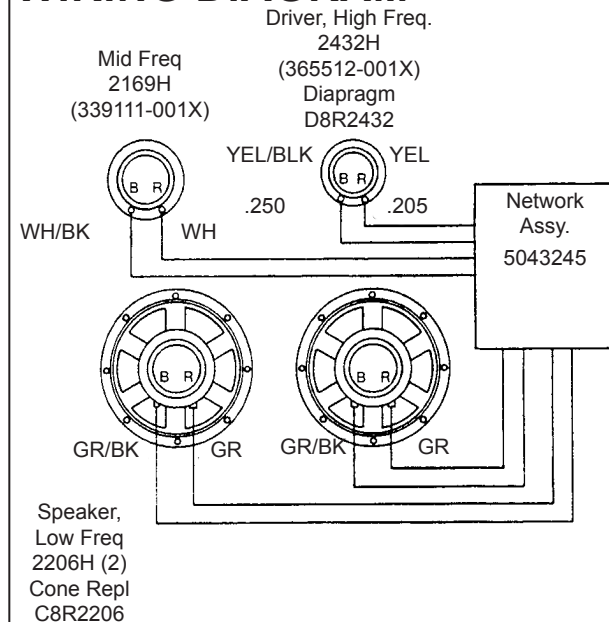
PACKAGE



PACKAGING NOT FOR SALE

- Warranty Card 59660
- Carton 353287-001
- Filler (2) 354189-001
- Microfoam (8) 49790P

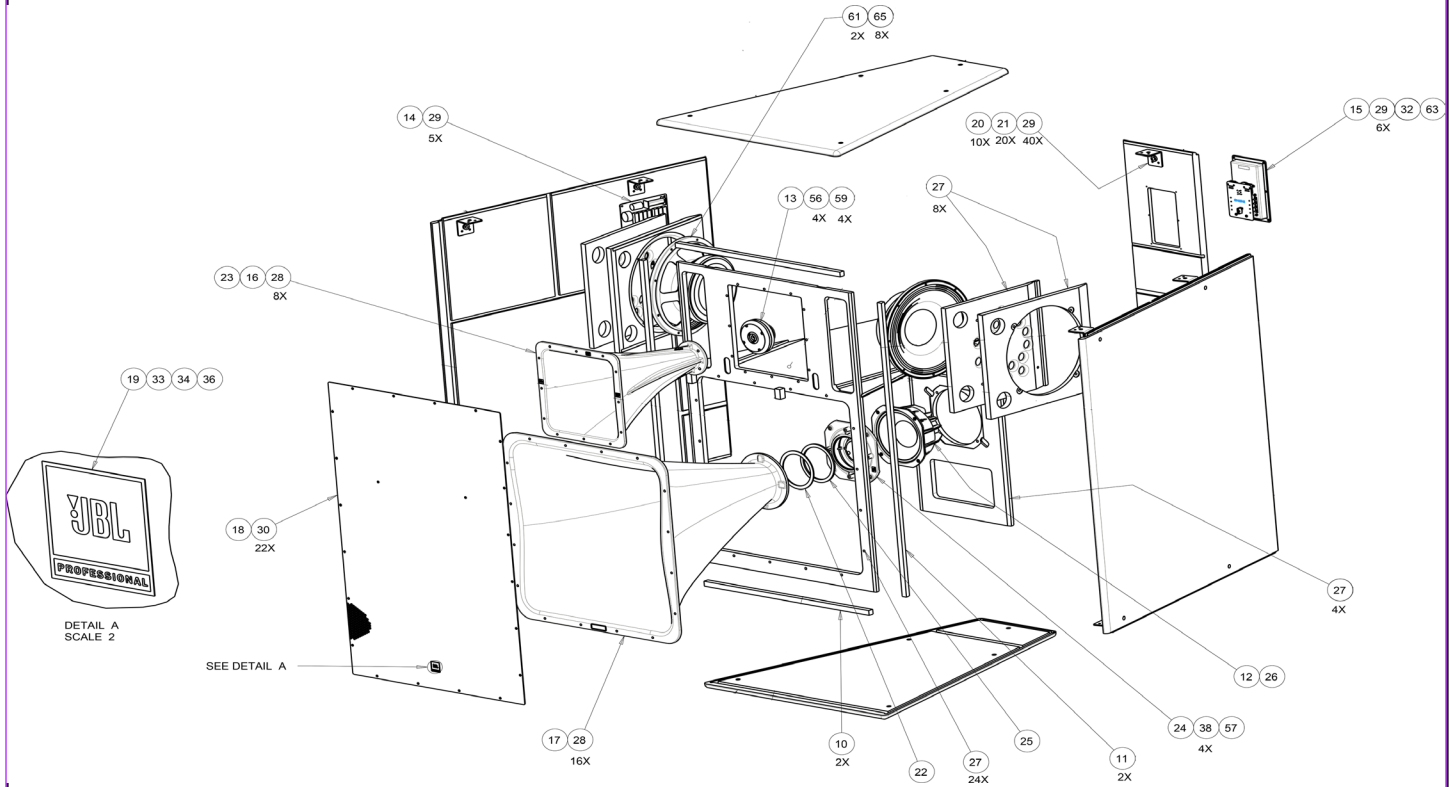
WIRING DIAGRAM



JBL PD6322/43-WH REV A

JBL PD6322/43-WH

COMPONENT EXPLODED VIEW



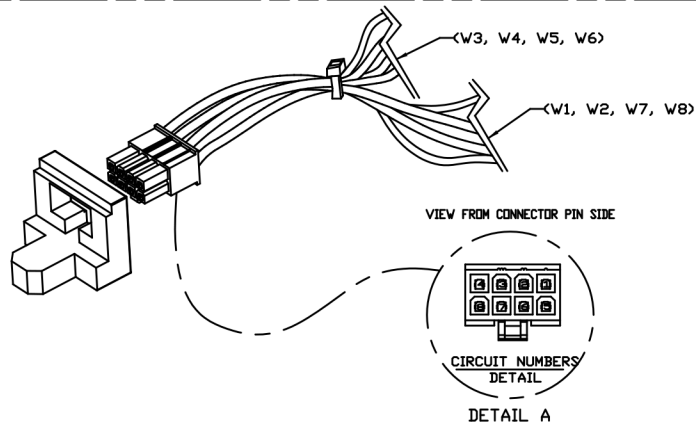
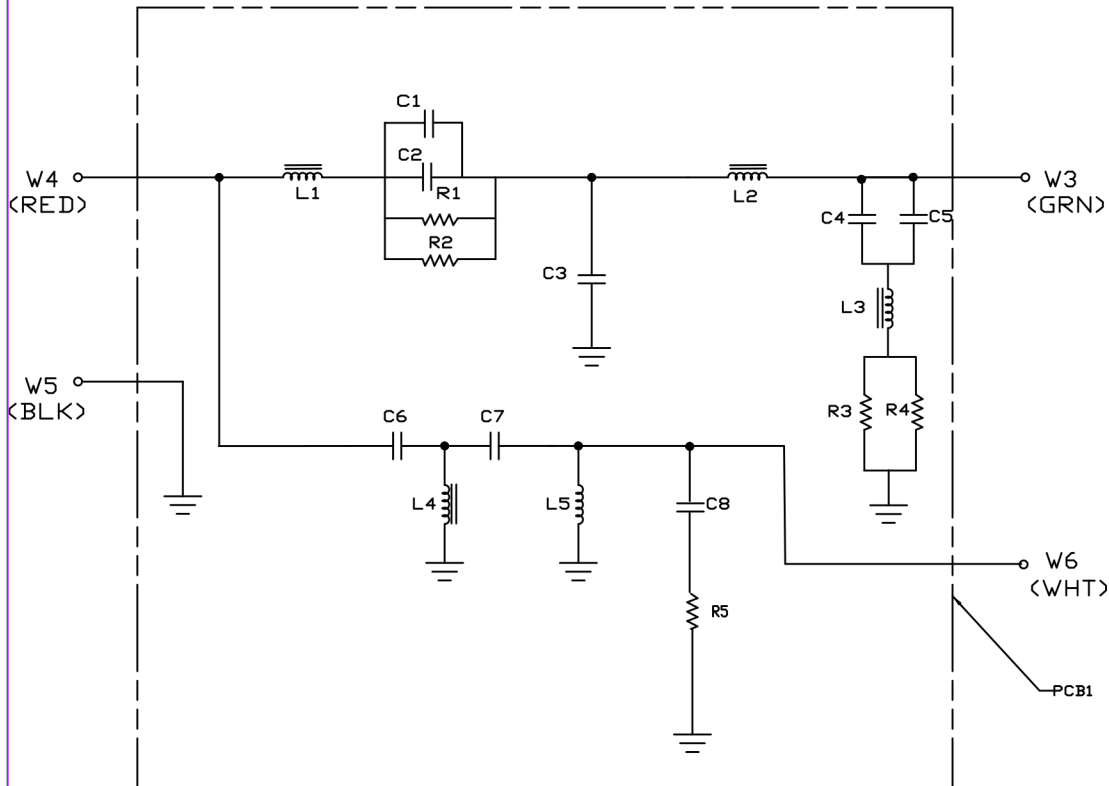
COMPONENT PARTS LIST:

Item	Part No.	Qty	Description
10	352085-001	2	GRILLE STICK, TOP/BOTTOM, PD
11	352084-001	2	GRILLE STICK, LEFT/RIGHT, PD
12	339111-001X	1	M/I, 2169H
13	365512-001X	1	M/I, 2432H
14	5043245	1	NTWRK ASSY, PD6200/43 + PD6322/43
15	339335-001	1	INPUT PLATE, NL8
16	353250-003	1	WAVEGUIDE,PT-H43HF, NARROW RIBS
17	353108-001	1	WAVEGUIDE, PT-N43MH
18	352235-001	1	GRILLE, BLACK
18	352235-003	1	GRILLE, WHITE
19	339400-001	1	LOGO, GRILLE
20	381-00023-01	10	MOUNTING SUPPORT, 90 DEG 2X M10
21	352051-001	20	BOLT, M10 X 25MM, HEX (BLACK)
21	352051-002	20	BOLT, M10 X 25MM, HEX (WHITE)
22	352257-001	1	GASKET,HORN TO PHASE PLUG
23	339395-001	1	GASKET, 12 X 12 WAVEGUIDE
24	339484-001	1	SCREEN, MIDRANGE PHASE PLUG
25	339403-001	1	GASKET, PHASING PLUG

Item	Part No.	Qty	Description
26	350307-001	1	GASKET 8"
27	61861	40	T-NUT,10-32
28	804-41110-16	28	SCR,10-32X1,PAN,PH,BLK
29	882-41110-10	53	SCR, 6 X 5/8,PAN,PH,PB,BLK ZINC,LCS
30	882-51110-12	22	SCR, 6 X 3/4,OV,PH,PTCL,BLK ZC,LCS
32	5041671	1	LABEL, INPUT NL8, PD6322
33	76168	1	WASHER, BLK.175ID .75OD
34	365201-001	1	COMPRESSION SPRING, GRILLE
36	350689-001	1	PUSH NUT, 7/16" GRILL LOGO
38	804-41110-20	4	SCR,10-32X1.25,PAN,PH,BLK ZINC,LCS
56	75815	4	STUD,1/4-20 X 1.5"LG
57	338471-002	1	PHASING PLUG, 12"
59	834-30010-00	4	NUT,1/4-20,KEPS,BLK ZINC,LCS,RIGHT
61	2206HPL	2	M/I 2206HPL
63	353210-002	1	LF WIRE ASSY, PD5322/43
65	804-41110-24	8	SCR,10-32X1-1/2,PAN,PH,BK

JBL PD6322/43-WH

NETWORK SCHEMATIC 5043245



LIST OF MATERIAL		
QTY	ITEM	DESCRIPTION
1	PCB1	12" X 8" X 1.6mm FR-4, 1 OZ COPPER, SINGLE SIDED
1	RESISTOR	R1 2 Ohm, 10W, ±5%, SQP-TYPE, 10X9X48mm
1	RESISTOR	R2 2 Ohm, 10W, ±5%, SQP-TYPE, 10X9X48mm
1	RESISTOR	R3 51 Ohm, 10W, ±5%, SQP-TYPE, 10X9X48mm
1	RESISTOR	R4 51 Ohm, 10W, ±5%, SQP-TYPE, 10X9X48mm
1	RESISTOR	R5 8 Ohm, 20W, ±5%, SQP-TYPE, 12.5X12.5X63mm
5	CABLE TIE	CV-150
3	CABLE TIE	CV-094
1	CAPACITOR	C1 2.0 uF / 250V, MT-TYPE, ±5%, ROUND AXIAL, 12X31mm
1	CAPACITOR	C2 100.0 uF / 100V, ELECTROLYTIC NON-POLAR, ±5%, 25X45mm
1	CAPACITOR	C3 22.0 uF / 250V, MT-TYPE, ±5%, ROUND AXIAL, 28X46mm
1	CAPACITOR	C4 2.0 uF / 250V, MT-TYPE, ±5%, ROUND AXIAL, 12X31mm
1	CAPACITOR	C5 39.0 uF / 100V, ELECTROLYTIC NON-POLAR, ±5%, 16X42mm
1	CAPACITOR	C6 4.0 uF / 250V, MT-TYPE, ±5%, ROUND AXIAL, 16X31mm
1	CAPACITOR	C7 7.2 uF / 250V, MT-TYPE, ±5%, ROUND AXIAL, 18X46mm
1	CAPACITOR	C8 4.3 uF / 250V, MT-TYPE, ±5%, ROUND AXIAL, 17X31mm
1	COIL	L1 1.0mH, LAMINATED CORE, 176/SB6, 81X30.5X30.5mm, 0.17 Ohm DCR, ±5%, WIRE GAGE #12mm
1	COIL	L2 1.0mH, LAMINATED CORE, 176/SB6, 81X30.5X30.5mm, 0.17 Ohm DCR, ±5%, WIRE GAGE #12mm
1	COIL	L3 7.0mH, LAMINATED CORE, 176/SB6, 81X30.5X30.5mm, 0.57 Ohm DCR, ±5%, WIRE GAGE #10mm
1	COIL	L4 0.46mH, LAMINATED CORE, 157/SB2, 59X22X23mm, 0.1 Ohm DCR, ±5%, WIRE GAGE #12mm
1	COIL	L5 0.49mH, AIR CORE, #60X25mm, NYLON BOBBIN, 0.2 Ohm DCR, ±5%, WIRE GAGE #12mm
1	CONNECTOR	J1 2416+UL1015 #16AWG (CSA TYPE TEW)
1	WIRE (W1)	J1-1 GRN/BLK 30" 12.7mm STRIPPED & TINNED
1	WIRE (W2)	J1-2 GRN 30" 12.7mm STRIPPED & TINNED
1	WIRE (W3)	J1-3 GRN 22"
1	WIRE (W4)	J1-4 RED 22"
1	WIRE (W5)	J1-5 BLK 22"
1	WIRE (W6)	J1-6 WHT 22"
1	WIRE (W7)	J1-7 YEL/BLK 30" WITH FASTON TERMINAL (CDN-1)
1	WIRE (W8)	J1-8 YEL 30" WITH FASTON TERMINAL (CDN-2)
1	YEL GRIP	1.1" X 1.046" X 0.317" NYLON 66 YELLOW
7	RIVET	Ø5 x 7mm
7	PCB STAND	YJ-002
1	TERMINAL	CDN-1 FAST-ON, FEMALE, 0.250 X 0.030, TINNED BRASS, PVC INSULATED.
1	TERMINAL	CDN-2 FAST-ON, FEMALE, 0.205 X 0.030, TINNED BRASS, PVC INSULATED.
A/R	ADHESIVE	ADHESIVE, RTV SILICONE
A/R	ADHESIVE	ADHESIVE, CHLOROPREN RUBBER, SONY SC121