

Technical Manual

JBL PD6322/66-WH



PROFESSIONAL

SPECIFICATIONS

ACOUSTIC & ELECTRICAL SPECIFICATIONS:

- Nominal Impedance: 4 ohms
- Frequency Range (-10 dB): 41 Hz to 18 kHz
- Frequency Response (±3 dB): 49 Hz to 16 kHz
- Coverage Pattern: 60° x 60°
- Passive Crossover: 1.75 kHz
- Transducer Power Ratings
 LF: 1200 W (4800 W Peak, 100 hrs)
 MF: 350 W (1400 W peak), 100 hrs
 HF: 75 W (300 W peak), 2 hrs (AES)
- Long-Term System Power
 Bi-amp Passive: 1200 W (4800 W peak)
 M/HF: 300 W (1200 W peak)
 100 hrs.Rating (IEC)
- Maximum SPL:
 Tri-amp mode:
 LF: 128 dB-SPL cont avg (134 dB peak)
 MF: 135 dB-SPL cont avg (141 dB peak)
 HF: 135 dB-SPL cont avg (141 dB peak)
- Passive mode: 135 dB-SPL cont avg (141 dB peak)
- System Sensitivity (1W @ 1m): Passive Mode: 110 dB-SPL (M/H only)

SYSTEM COMPONENTS:

- Cabinet: Enclosure (Not For Sale)
- Grille: 352235-001 (BK), 352235-003 (WH)
- Low Frequency Driver: 2 x 2206H 300 mm (12 in) driver with 100 mm (4 in) voice coil
- D.C.Resistance: 5.3 ohms +/- 10% (each device)

SYSTEM COMPONENTS: (CONT'D)

by HARMAN

- Mid Frequency Driver: CMCD-82H cone mid-range compression driver with integral 200 mm (8 in) Differential Drive® dual 75 mm (3.0 in.) voice coil driver
- D.C.Resistance: 5.1 ohms +/- 10%
- High Frequency Driver: 2432H, 38 mm (1.5 in) exit compression driver with 75mm (3.0 in.) voice coil
- D.C.Resistance: 4.0 ohm +/- 0.2 ohm
- Waveguides:
 MF: PT-N66MF-1 600 x 600 mm (24 x 24 in)
 HF: PT-H66HF-1 300 x 300 mm (12 x 12 in)

AURAL SWEEP TEST SPECIFICATIONS:

- A. System.Aural Sweep Test: 7.0V Input, 50 Hz to 21 kHz
- B. L.F. Aural Sweep Test: 10.0V Input, 20 Hz to 1.0 kHz (each)
- B. M.F. Aural Sweep Test: 7.0V Input, 20 Hz to 1 kHz
- C. H.F. Aural Sweep Test: 3.0V Input, 300 Hz to 1 kHz

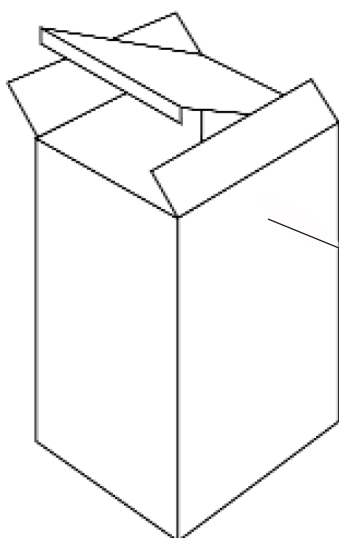
PHYSICAL SPECIFICATIONS:

- Enclosure Dimensions: 991 x 673 x 706 mm (H x W x D in vertical orientation): (39.0 x 26.5 x 27.8 in)
- Net Weight: 77.0 kg (170.0 lb)

WARRANTY INFORMATION:

- Refer to Warranty Statement posted on line

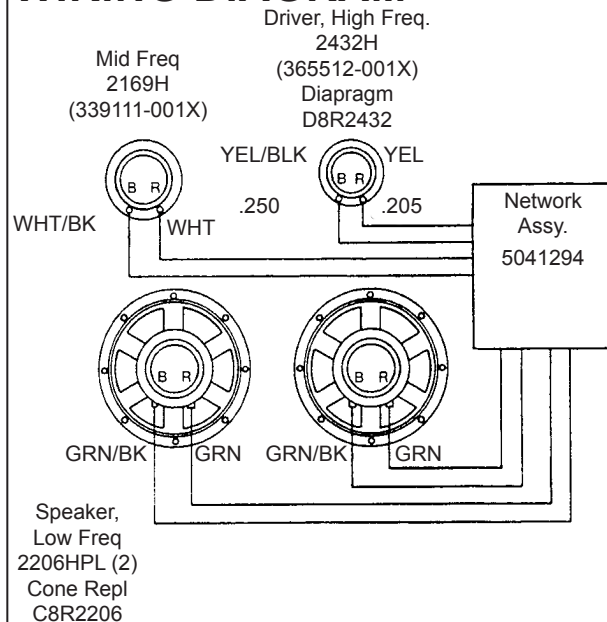
PACKAGE



PACKAGING NOT FOR SALE

- Warranty Card 59660
- Carton 352163-001
- Filler (2) 352164-001
- Microfoam (8) 49790P

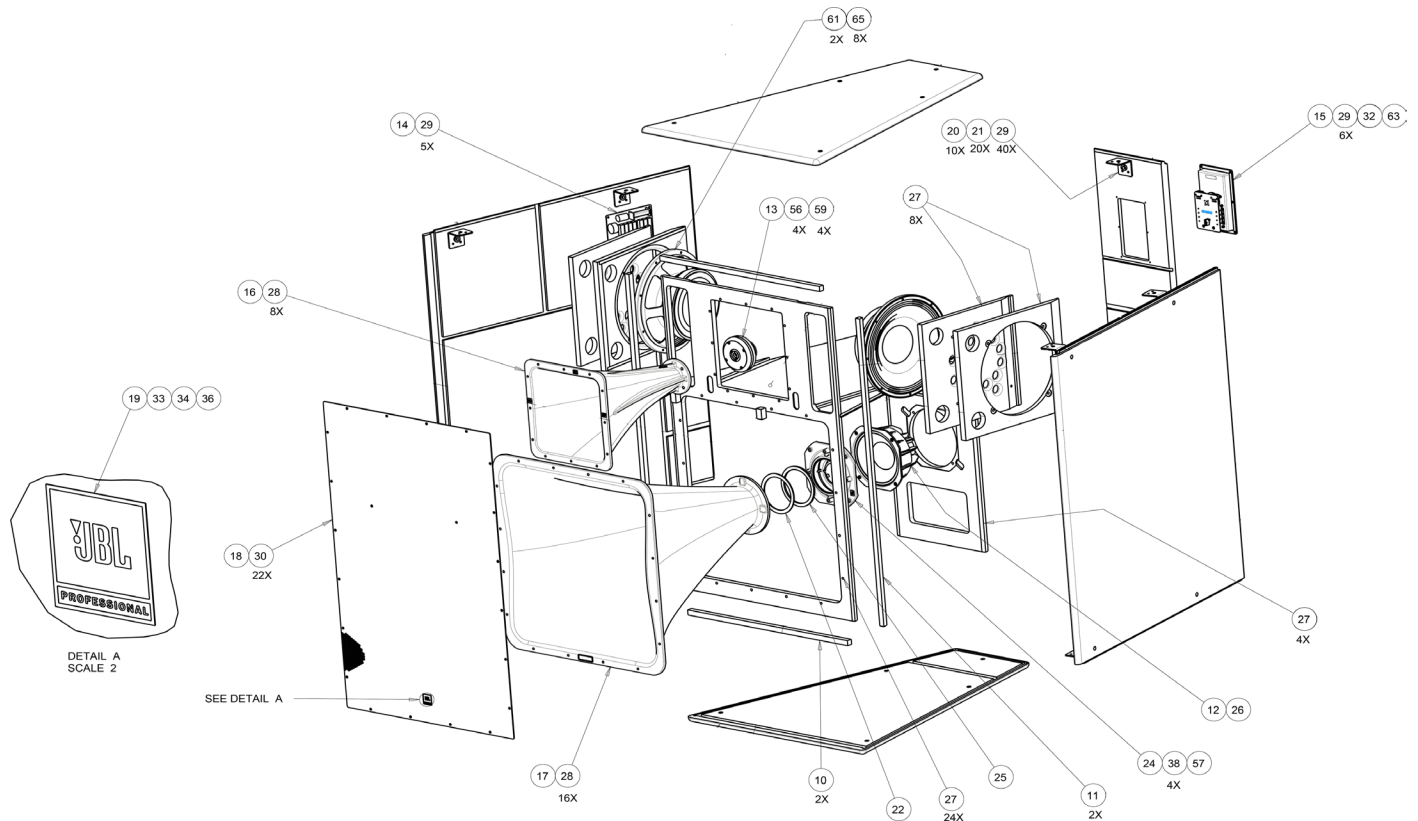
WIRING DIAGRAM



JBL PD6322/66-WH REV A

JBL PD6322/66-WH

COMPONENT EXPLODED VIEW



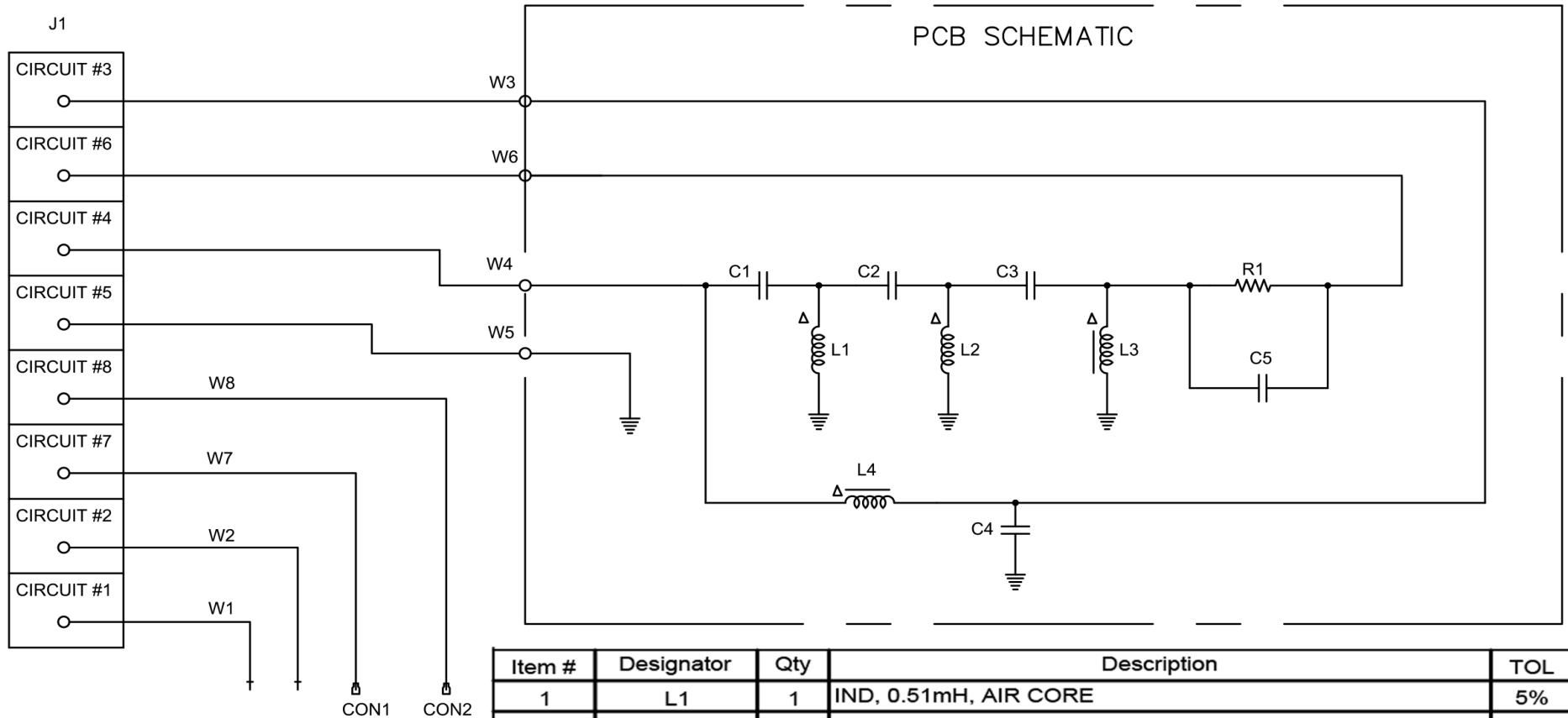
COMPONENT PARTS LIST:

Item	Part No.	Qty	Description
10	352085-001	2	GRILLE STICK, TOP/BOTTOM, PD
11	352084-001	2	GRILLE STICK, LEFT/RIGHT, PD
12	339111-001X	1	M/I, 2169H
13	365512-001X	1	M/I, 2432H
14	5041294	1	NTWRK, PD6200/66 + PD6322/66
15	339335-001	1	INPUT PLATE, NL8
16	443454-001	1	WAVEGUIDE, PT-H66HF
17	5036860	1	WAVEGUIDE, PT-N66MH-1
18	352235-001	1	GRILLE, BLACK
18	352235-003	1	GRILLE, WHITE
19	339400-001	1	LOGO, GRILLE
20	381-00023-01	10	MOUNTING SUPPORT, 90 DEG 2X M10
21	352051-001	20	BOLT, M10 X 25MM, HEX (BLACK)
21	352051-002	20	BOLT, M10 X 25MM, HEX (WHITE)
22	352257-001	1	GASKET, HORN TO PHASE PLUG
24	339484-001	1	SCREEN, MIDRANGE PHASE PLUG
25	339403-001	1	GASKET, PHASING PLUG
26	350307-001	1	GASKET 8"

Item	Part No.	Qty	Description
27	61861	36	T-NUT, 10-32
28	804-41110-16	28	SCR, 10-32X1, PAN, PH, BLK
29	882-41110-10	51	SCR, 6 X 5/8, PAN, PH, PB, BLK ZINC, LCS
30	882-51110-12	22	SCR, 6 X 3/4, OV, PH, PTCL, BLK ZC, LCS
32	5041671	1	LABEL, INPUT NL8, PD6322
33	76168	1	WASHER, BLK.175ID .75OD
34	365201-001	1	COMPRESSION SPRING, GRILLE
36	350689-001	1	PUSH NUT, 7/16" GRILL LOGO
38	804-41110-20	4	SCR, 10-32X1.25, PAN, PH, BLK ZINC, LCS
56	75815	4	STUD, 1/4-20 X 1.5" LG (WHITE)
56	705-90002-16	4	SCR, 1/4-20 X 1, SKT SET, BLK (BLACK)
57	338471-002	1	PHASING PLUG, 12"
59	834-30010-00	4	NUT, 1/4-20, KEPS, BLK ZINC, LCS, RIGHT
61	2206HPL	2	M/I 2206HPL
63	353210-001	1	LF WIRE ASSY
65	804-41110-24	8	SCR, 10-32X1-1/2, PAN, PH, BK

JBL PD6322/66-WH

NETWORK SCHEMATIC 5041294



Item #	Designator	Qty	Description	TOL
1	L1	1	IND, 0.51mH, AIR CORE	5%
2	L2	1	IND, 0.64mH, AIR CORE	5%
3	L3	1	IND, 1.0mH, STEEL CORE	5%
4	L4	1	IND, 1.25mH, STEEL CORE	5%
5	C1	1	CAP, 6.70uF, 250V, METALLIZED POLYESTER FILM	2%
6	C2	1	CAP, 5.7uF, 250V, METALLIZED POLYESTER FILM	5%
7	C3	1	CAP, 9.0uF, 250V, METALLIZED POLYESTER FILM	5%
8	C4	1	CAP, 12.0uF, 250V, METALLIZED POLYESTER FILM	5%
9	C5	1	CAP, 10.0uF, 250V, METALLIZED POLYESTER FILM	5%
10	R1	1	2 Ohms	5%