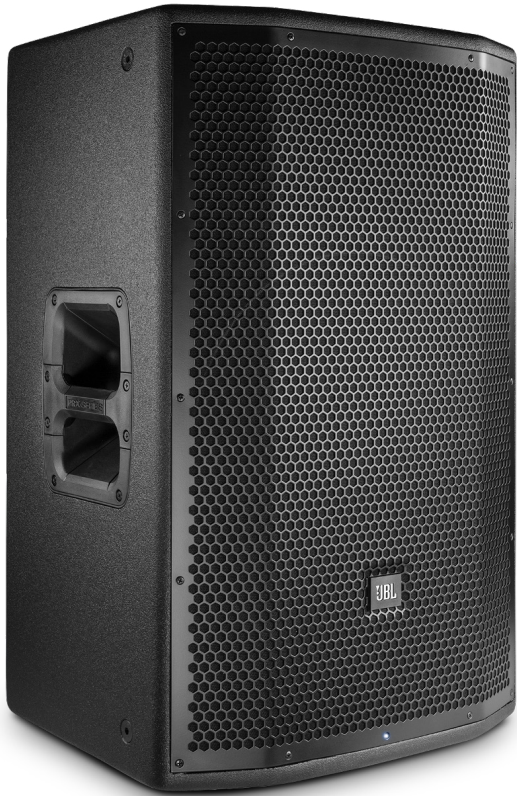


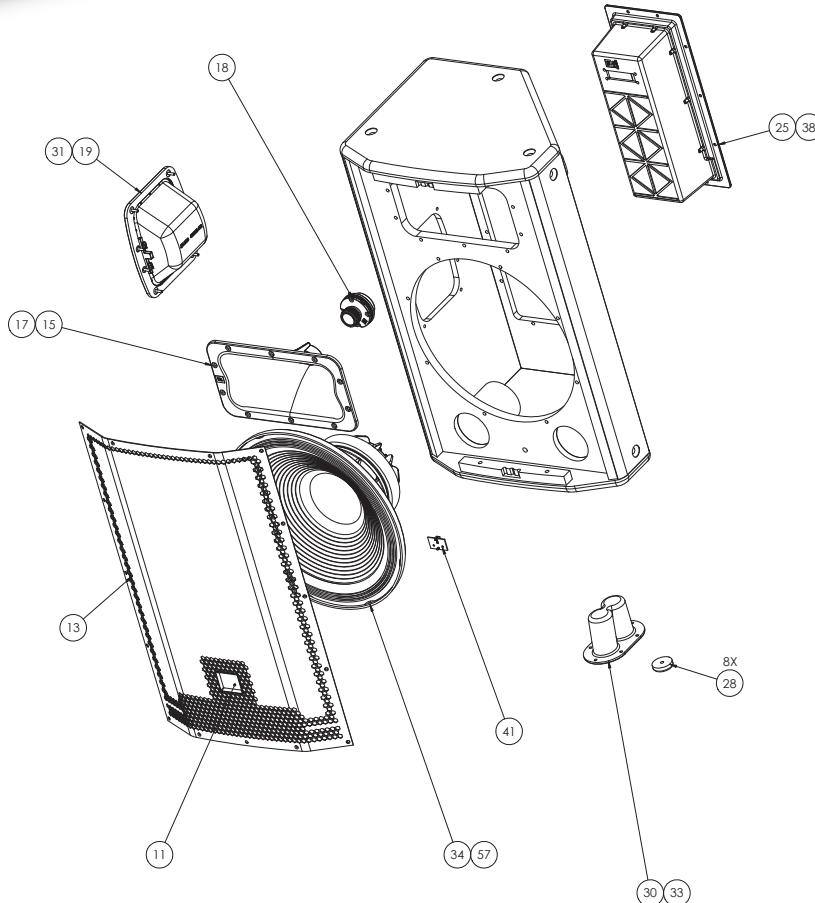
15" Two-Way Full-Range Main System/Floor Monitor with Wi-Fi



Speaker Spare Parts List

Ref ID	P/N	Description	Qty
11	5056661	LOGO SRX800, EON615	1
13	5064263	GRILLE, PRX815	1
15	338800-001	HORN, JRX	1
17	351577-001	GASKET, 6.5 X 12 WAVEGUIDE AE	1
18	5020337X	2408H-2 UNIT ASSEMBLY (CUSTOMER SERVICE)	1
	5020337D*	2408H-2 UNIT ASSEMBLY (CHINA)	
19	5032124	HANDLE ASSY, PRX700	1
25	5094106-00X	PRX815W AMPLIFIER 5069052 PROGRAMMED	1
28	353445-001	FOOT, SRX	8
30	351256-001	CUP, DUAL POLE, VRX/JRX	1
31	445327-001	GASKET, HANDLE VTX-V25	1
33	352957-001	GASKET, DUAL POLE CUP, VRX/JRX	1
34	5021909X	M/I, 275G FOR CUSTOMER SERVICE	1
	5021909D*	M/I, 275G (CHINA)	
38	5033750	HARNESS ASSY, PRX715	1
41	5070590	LED PCB, PRX800	1
57	360-70002-01	GASKET, REAR 15"	1
70	5074270	ANTENNA, PRX800	1
	C4R275	CONE KIT 275	1

*These P/N are China only



15" Two-Way Full-Range Main System/Floor Monitor with Wi-Fi

Amp Module Spare Parts List

Ref ID	P/N	Description	Qty
2	5032731	ISOLATING SHEET, PRX700	1
3	5032725	GAP PAD 1, PRX700	2
4	5032727	GAP PAD 2, PRX700	1
5	5032729	GAP PAD 3, PRX700	1
6	5042333	PSU / AMPLIFIER BOARD ASSEMBLY, PRX700 (A2710515B01A)	1
7	5032723	26PIN RIBBON CABLE, PRX700	1
8	5075604	CBL,WA,RF,PAS,200mm,50ohm,RP-SMA,MHF	1
9	5038780	GASKET, PCB PASS THROUGH	1
10	5032751	PASS THRU PCB ASSEMBLY- 2 WAY, PRX700	1
13	5068733	MECHASY,PRX 812W/815W,REAR PNL	1
	445045-001	KNOB, MIXER EON206P	2
	5032747	AC INLET SOCKET, PRX700	1
	5047651	HDW,SWCAP,VERT,RND,BLACK,20MM HT,2.4MM SQ MT	6
	5047671	HDW,LTPP,SINGLE SMT LED,DOME,26MM HT	11
	5136531-00	PCB,ASY,TST,INPUT,FULL,AV1,PRX815W	1
	141850-1	SW, 1P1T PB 250V 50MA SM VRT	6
	5039565	CON,XLR,M,3P,PLASTIC,TH,VERT	1
	5066142	CON,DUAL,RCA,VERT,24MM,WHT/RED,TH	1
	5073007	CON,XLR,VERT,AuCoAg,FEM,COMBO,DISASY	2
	5068781	THRMMGT,FAN,50X50X15,24V,11.6 CFM	1
	5071362-02	PCB,ASY,PRX_8xx_LINE_FILTER,AV1	1
17	5032126	AMP GASKET, PRX700	2

Power Cords

P/N	Region
425-00000-00	USA
425-00000-01	Europe
5028427	AU
5027842	CH

