



Service Manual

PRX815

15" Two-Way Full-Range Main System/Floor Monitor with Wi-Fi

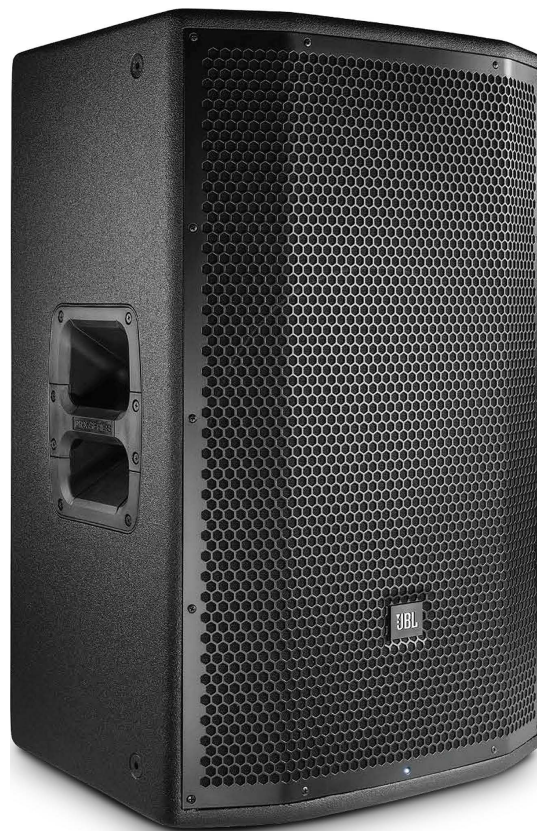




Table of Contents

Datasheets and Specifications

Exploded View Diagrams

Board Layouts

Schematics

Bill of Materials





PRX815

15" Two-Way Full-Range Main System/Floor Monitor

Features:

- ▶ Maximum SPL Output 137 db Peak
- ▶ 15" Differential Drive® low-frequency driver for low-distortion and higher SPL
- ▶ 1.5" diameter next generation JBL neodymium compression driver
- ▶ 1500W (dual 750 watt) highly efficient Class-D amplifier
- ▶ Optimized EQ for monitor or front-of-house applications
- ▶ DSP input section, crossover, dynamic limiting, component optimization, selectable system EQ
- ▶ Wireless remote control of its onboard DSP EQ parameters via Wi-Fi. Control and configure your show from anywhere
- ▶ Professional XLR-G™ combination inputs, RCA inputs, and XLR loop-through
- ▶ Integrated 36 mm pole mount socket with angle down tilt
- ▶ Integrated 12 x M10 suspension points
- ▶ Lightweight poplar plywood cabinets made structurally sound with tongue and groove joints and protected by JBL's tour proven DuraFlex™ finish



Application:

- ▶ The 2-way 15" offers the perfect balance between size and performance. The PRX815 truly is an exception; it's small, light weight, versatile and powerful with remote Wi-Fi control of onboard DSP EQ parameters. The performance and asymmetrical design make this a perfect choice for musicians, entertainers and DJ's when portability is key, or when hung by the suspension points, an exceptional light-duty installation speaker. All PRX800 Series speakers were designed to excel in sound reinforcement where challenging audio environments and loud volumes are the norm. For applications requiring full bandwidth sound reproduction, the PRX815 delivers the optimum balance. For live music, recorded music playback and speech the user has the option of tailoring the EQ. A microphone can be directly connected to the speaker input for quick PA applications. Coupled with a PRX800 sub-woofer the system becomes an efficient, full-range sound system.
- ▶ The PRX815 is comprised of 15" 275G Differential Drive® woofer, a 2408H-2 37.5 mm (1.5 in) annular polymer diaphragm, neodymium compression driver mounted to a 90° by 50° horn, all driven by 1500 watt Class-D power amplifier. Sophisticated DSP is at the core of a fully featured input section, providing user selectable system EQ, protection, input sensitivity selection, cross-over functionality, dynamic limiting and discrete component optimization.
- ▶ All PRX800 cabinets are built from 18 mm, strong, light-weight poplar plywood made structurally sound with tongue and groove joints. All PRX800 Series cabinets are protected by JBL's tour proven DuraFlex™ finish. Grilles are made from dent-resistant 16 gauge steel and handles are made from light-weight glass-filled nylon for added strength and durability. All M10 suspension points are constructed from 14 gauge steel and have been tested with a yield-strength of 1000 lbs. Each.
- ▶ The amplifier input panel offers XLR or ¼ inch jack compatibility and a sensitivity switch provides extra flexibility, making it possible to connect literally any sound source without using a mixer. Signal present and overload lights indicate the system status and assist in setting the optimum level via the level control knob.

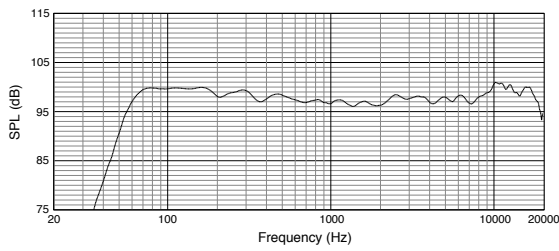
Specifications:

System:	
System Type:	Self Powered 15", two-way, bass-reflex
Maximum SPL Output:	Normal 137dB peak
Frequency Range (-10 dB):	Main: 42.9 Hz - 19.5 kHz Monitor: 43.6 Hz - 19.3 kHz
Frequency Response (±3 dB):	Main: 58.1 Hz - 17.2 kHz Monitor: 60.7 Hz - 16.7 kHz
Input Connectors:	2 x Balanced XLR / 1/4 inch input, 2 x unbalanced RCA input
Input Impedance:	20K Ohms (balanced), 10K Ohms (unbalanced)
Signal Indicators:	Limit: Yellow LED indicates peak output has been reached and DSP limiter is acting Signal: Green LED indicates signal present Power: Blue indicates system has power and ready to pass audio
EQ:	User selectable presets for Main or Monitor position. Advanced EQ settings available using PRX Connect application via Wi-Fi
Dynamic Control (Input):	dbx Type IV™ limiter circuit
Crossover Frequency:	2 kHz
Amplifier:	
Design:	Highly efficient Class-D amplifier
Power Rating:	1500W (750W x 2)
AC Power Input:	100V - 240V ~ 50/60 Hz
Speaker:	
LF Driver:	1 x JBL 275G (15 in) woofer
HF Driver:	1 x JBL 2408H-2 37.5 mm (1.5 in) annular polymer diaphragm, neodymium compression driver
Coverage Pattern:	90° x 50° nominal
Enclosure:	Asymmetrical, 18 mm, birch/poplar wooden enclosure
Suspension / Mounting:	Dual 36 mm pole socket, 12 x M10 Suspension Points
Transport:	1 x injection molded handle with backing cup
Finish:	Obsidian DuraFlex™ finish
Grille:	Powder coated, Obsidian, 16 gauge perforated steel with acoustically transparent black cloth backing.
Dimensions (H x W x D):	701 mm x 446 mm x 359 mm (27.6 in x 17.5 in x 14.1 in)
Net Weight:	20.86 kg (46 lb)
Gross Weight:	26.3 kg (58.0 lb)

JBL continually engages in research related to product improvement. Some materials, production methods and design refinements are introduced into existing products without notice as a routine expression of that philosophy. For this reason, any current JBL product may differ in some respect from its published description, but will always equal or exceed the original design specifications unless otherwise stated.

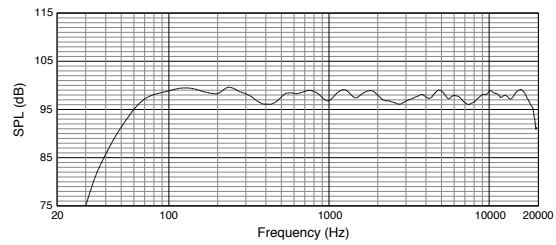
► PRX815 15" Two-Way Full-Range Main System/Floor Monitor

Frequency Response (Normal)

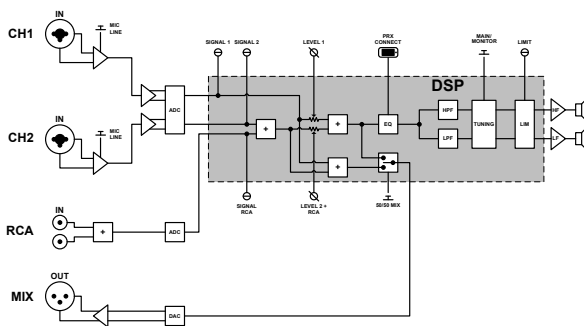


Frequency Response (Monitor)

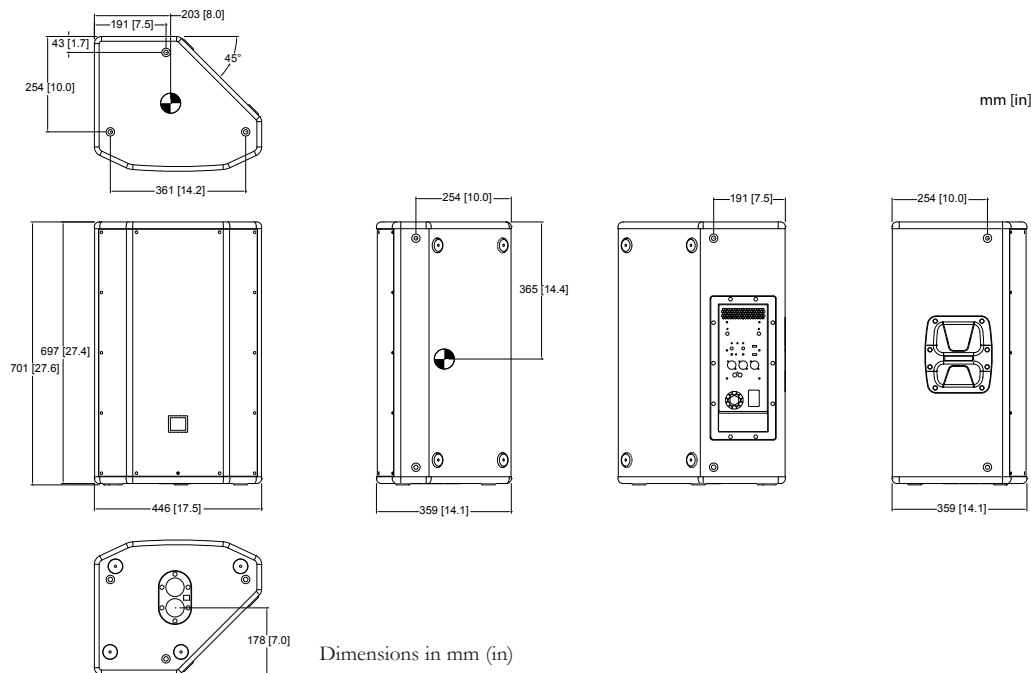
Measurement performed in monitor position



Block Diagram:



Dimensions

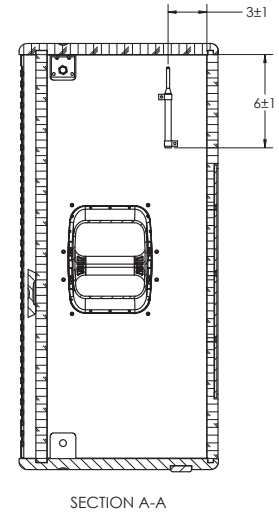
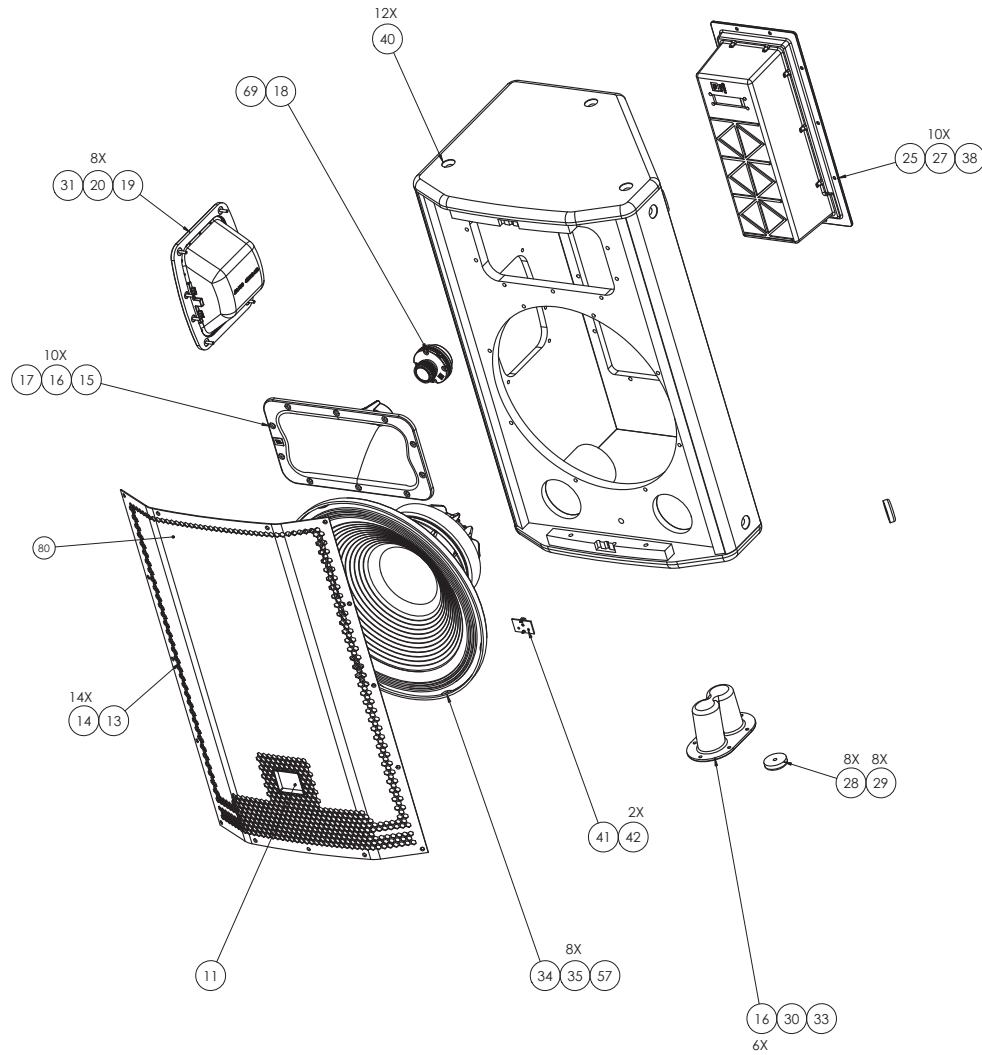


JBL Professional
8500 Balboa Boulevard, P.O. Box 2200
Northridge, California 91329 U.S.A.
© Copyright 2016 JBL Professional
www.jblpro.com

PN: 5075805
SS PRX815
CRP
06/16

THESE DRAWINGS AND SPECIFICATIONS ARE THE PROPERTY OF HARMAN. DO NOT DISCLOSE, REPRODUCE OR PUBLISH WITHOUT WRITTEN HARMAN APPROVAL.

CHG		LTR		REVISIONS			DRFT	CHK	DATE	APPR
				DESCRIPTION						
				SEE SHEET 1						



70 71 22

NOTES: (UNLESS OTHERWISE SPECIFIED)

HARMAN			
TITLE		S/M PRX815W	
SIZE	DRAWING NO.	REV	
D	1000223725	D	
SCALE: 1:1		SHEET 2 OF 4	

8

7

6

5

↓

4

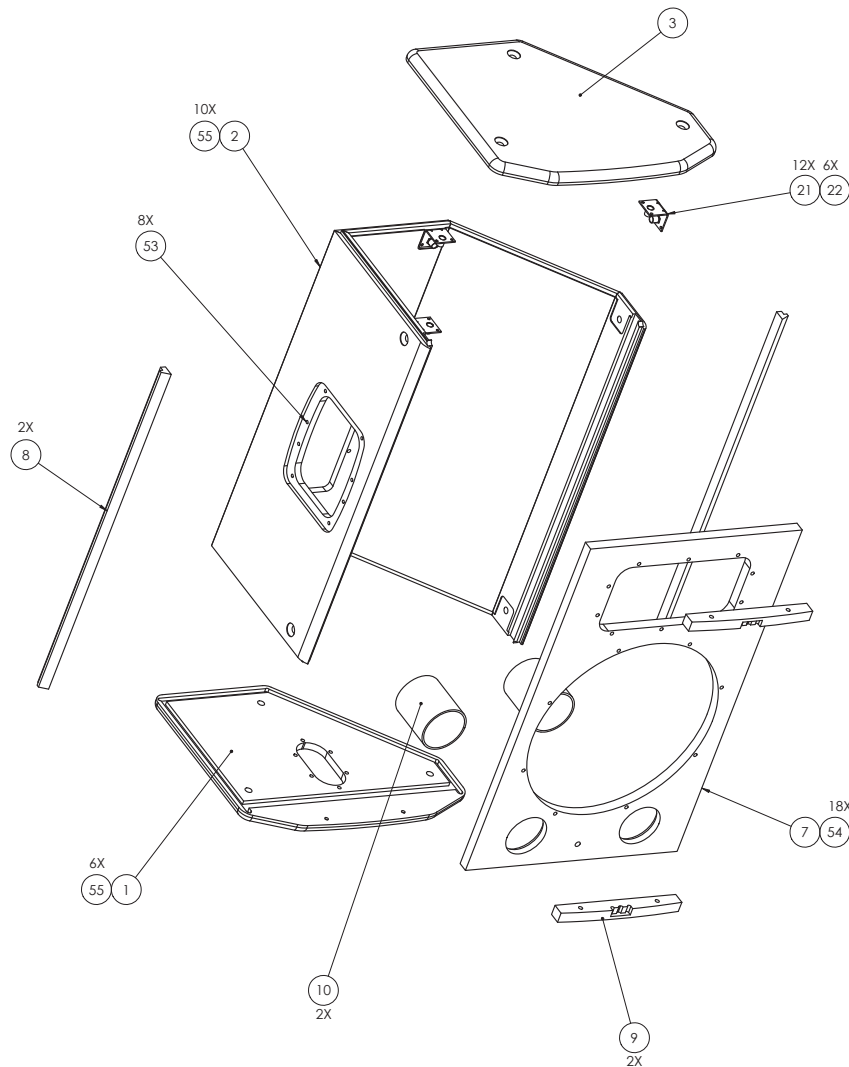
3

2

1

THESE DRAWINGS AND SPECIFICATIONS ARE THE PROPERTY OF HARMAN. DO NOT DISCLOSE, REPRODUCE OR PUBLISH WITHOUT WRITTEN HARMAN APPROVAL.

CHG		LTR		REVISIONS				
				DESCRIPTION	DRFT	CHK	DATE	APPR
				SEE SHEET 1				



- 43
- 44
- 45
- 58
- 59
- 60
- 61
- 63
- 64
- 65
- 68

NOTES: (UNLESS OTHERWISE SPECIFIED)

8

7

6

5

↑

4

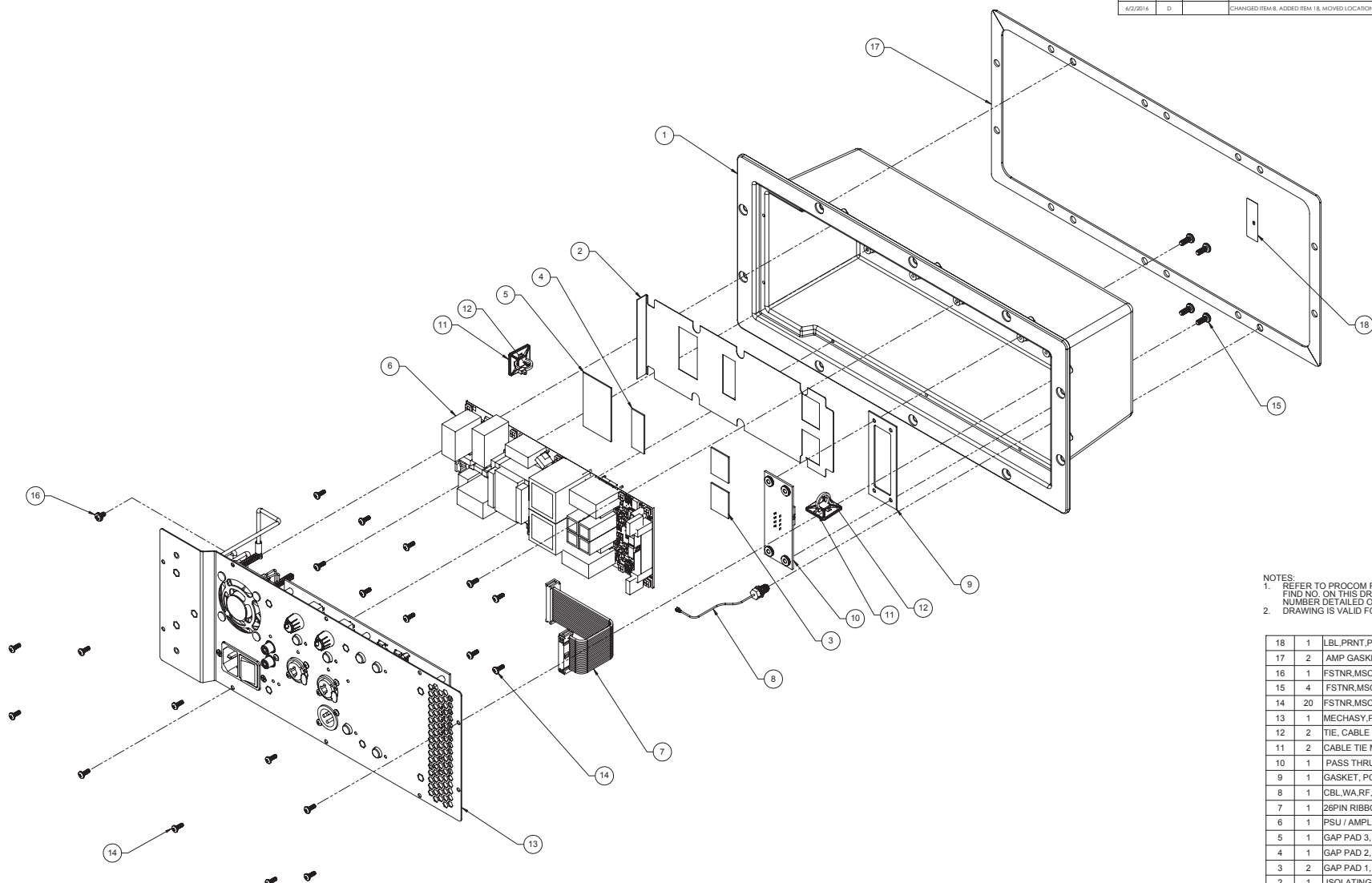
3

2

1

HARMAN		8500 Balboa Blvd Northridge, CA 91329 USA	
TITLE S/M PRX815W			
SIZE D	DRAWING NO. 1000223725	REV D	
SCALE: 1:1		SHEET 3 OF 4	

REVISION HISTORY					
DATE	REV.	PREVIOUS PART NO.	DESCRIPTION	ZONE	BY
12/11/2013	A		INITIAL RELEASE		RWS
2/24/2014	B		F1 CHANGES		RWS
3/17/2014	C		ADDED 4-32 SEMS, CABLE TIE, CABLE TIE MOUNT.		RWS
4/2/2014	D		CHANGED ITEM 8, ADDED ITEM 18, MOVED LOCATION OF ITEM 11		RWS

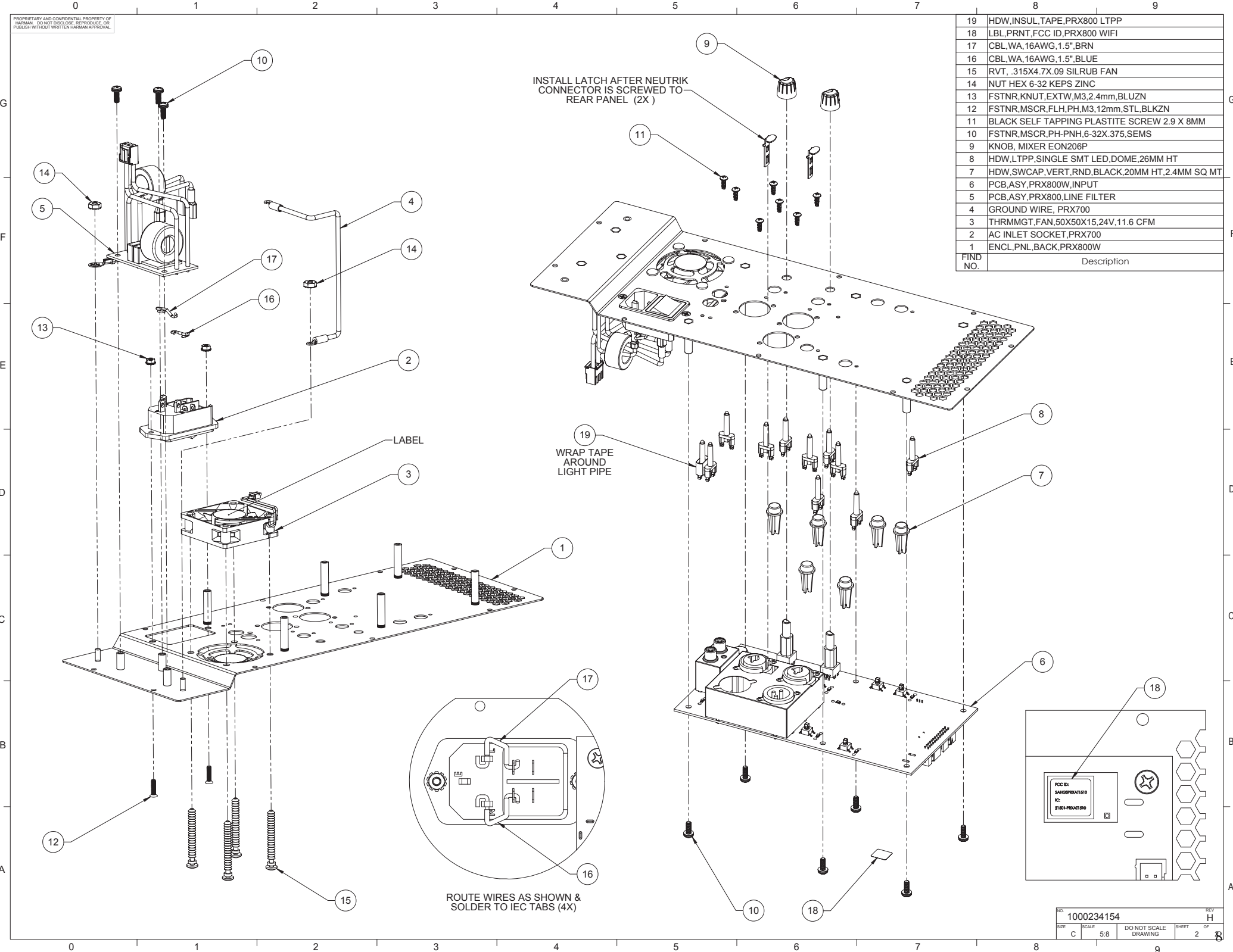


NOTES:
1. REFER TO PROCOM FOR COMPONENT PART NUMBERS.
FIND NO. ON THIS DRAWING CORRESPONDS TO THE FIND NUMBER DETAILED ON THE PROCOM BILL OF MATERIALS.
2. DRAWING IS VALID FOR 5069108, 50669109, & 5071129.

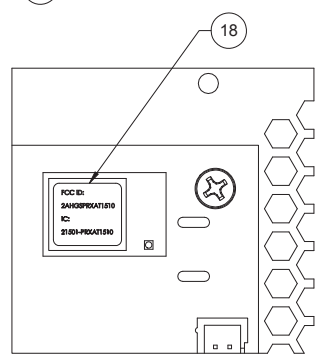
18	1	LBL_PRNT_PRX800_SIN
17	2	AMP GASKET, PRX700
16	1	FSTNR,MSCR,PH-PNH,6-32x1/4,EX SEMS,Zn
15	4	FSTNR,MSCR,PH-PNH,M4,SPR,WSHR,10mm,BLUZn
14	20	FSTNR,MSCR,PH-PNH,M3,8mm,BLKZn
13	1	MECHASY_PRX800W_REAR_PNL
12	2	TIE, CABLE 5.5" OR MORE 18 LB
11	2	CABLE TIE MNT W/ADHESIVE BL 0.75" SQ BIN
10	1	PASS THRU PCB ASSEMBLY- 2 WAY, PRX700
9	1	GASKET, PCB PASS THROUGH
8	1	CBL_WA,RF,PAS,200mm,50ohm,RP-SMA,MHF
7	1	26PIN RIBBON CABLE, PRX700
6	1	PSU / AMPLIFIER BOARD ASSEMBLY, PRX700
5	1	GAP PAD 3, PRX700
4	1	GAP PAD 2, PRX700
3	2	GAP PAD 1, PRX700
2	1	ISOLATING SHEET, PRX700
1	1	ENCL_CHAS,PRX800W_EM

<p>ROHS RESTRICTION OF HAZARDOUS SUBSTANCES ALL DIMENSIONS ARE IN INCHES UNLESS OTHERWISE SPECIFIED BY THIS DRAWING UNLESS OTHERWISE SPECIFIED BY THIS DRAWING</p>	<p>TOLERANCES UNLESS OTHERWISE SPECIFIED: All Dimensions ±.005 All Dimensions ±.010 All Dimensions ±.015 All Dimensions ±.020 All Dimensions ±.030 All Dimensions ±.040 All Dimensions ±.050 All Dimensions ±.060 All Dimensions ±.070 All Dimensions ±.080 All Dimensions ±.090 All Dimensions ±.100</p>	<p>THIS DRAWING IS THE PROPERTY OF HARMAN INTERNATIONAL COMPANY. IT IS TO BE USED FOR THE PURPOSES SPECIFIED HEREIN. IT IS NOT TO BE REPRODUCED OR TRANSMITTED IN ANY FORM OR BY ANY MEANS, ELECTRONIC OR MECHANICAL, INCLUDING PHOTOCOPYING, RECORDING, OR BY ANY INFORMATION STORAGE AND RETRIEVAL SYSTEM, WITHOUT THE WRITTEN PERMISSION OF HARMAN INTERNATIONAL COMPANY.</p>	<p>DATE: 12/11/2013 BY: RWS DATE: 02/24/2014 BY: RWS DATE: 03/17/2014 BY: RWS DATE: 04/02/2014 BY: RWS</p>	<p>HARMAN MECHASY_PRX800W_AMP 1000235451 D 5/8 DO NOT SCALE DRAWING</p>
--	---	--	--	--

PROPRIETARY AND CONFIDENTIAL PROPERTY OF HARMAN. DO NOT DISCLOSE, REPRODUCE, OR PUBLISH WITHOUT WRITTEN HARMAN APPROVAL.



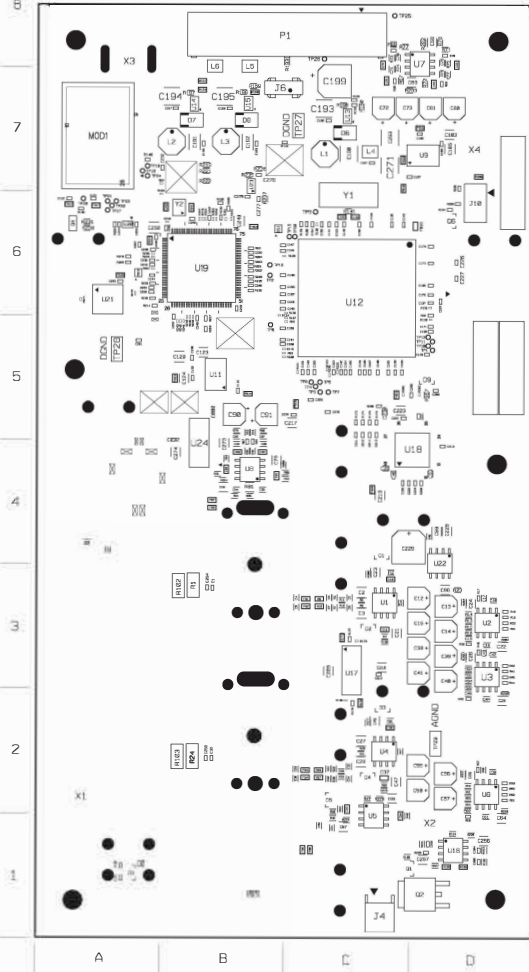
FIND NO.	Description
19	HDW,INSUL,TAPE,PRX800 LTPP
18	LBL,PRNT,FCC ID,PRX800 WIFI
17	CBL,WA,16AWG,1.5",BRN
16	CBL,WA,16AWG,1.5",BLUE
15	RVT, .315X4.7X.09 SILRUB FAN
14	NUT HEX 6-32 KEPS ZINC
13	FSTNR,KNUT,EXTW,M3,2.4mm,BLUZN
12	FSTNR,MSCR,FLH,PH,M3,12mm,STL,BLKZN
11	BLACK SELF TAPPING PLASTITE SCREW 2.9 X 8MM
10	FSTNR,MSCR,PH-PNH,6-32X.375,SEMS
9	KNOB, MIXER EON206P
8	HDW,LTPP,SINGLE SMT LED,DOME,26MM HT
7	HDW,SWCAP,VERT,RND,BLACK,20MM HT,2.4MM SQ MT
6	PCB,ASY,PRX800W,INPUT
5	PCB,ASY,PRX800,LINE FILTER
4	GROUND WIRE, PRX700
3	THRMMGT,FAN,50X50X15,24V,11.6 CFM
2	AC INLET SOCKET,PRX700
1	ENCL,PNL,BACK,PRX800W



COMPONENT MAP

TOPSIDE
SCALE: 2:1

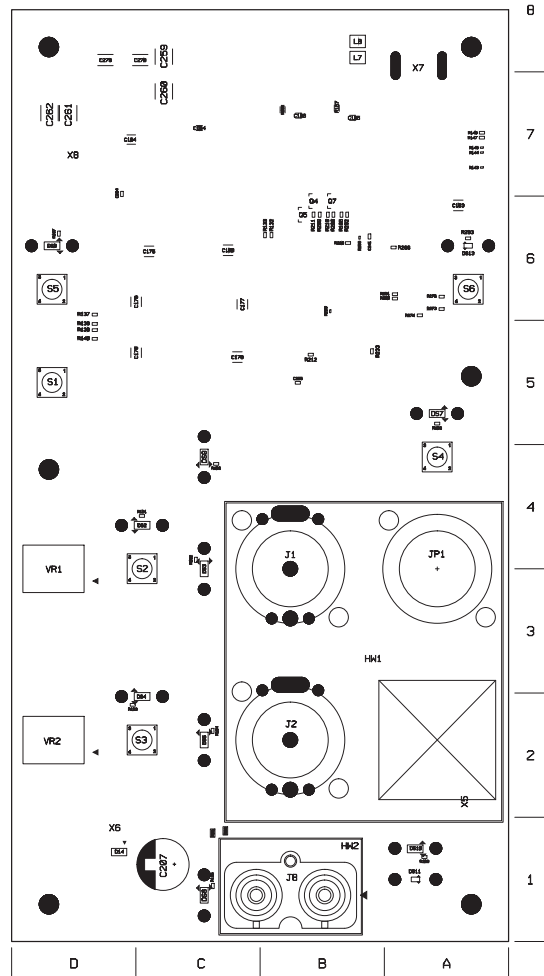
		REVISION HISTORY		
DATE	REV.	DESCRIPTION	REV.	BY
03-20-19	A	SEE 5065760-03_A.XLS FOR COMPONENT DATA AND REVISION HISTORY.		TLM
05-01-19	B	SEE 5065760-03_B.XLS FOR COMPONENT DATA AND REVISION HISTORY.		TLM
06-10-19	C	SEE 5065760-03_C.XLS FOR COMPONENT DATA AND REVISION HISTORY.		TLM



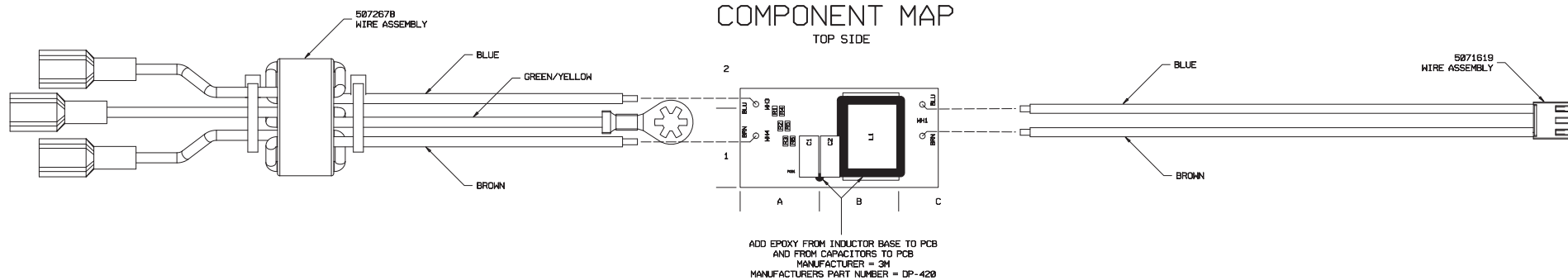
ROHS <small>RESTRICTION OF HAZARDOUS SUBSTANCES ALL MATERIALS USED IN THIS PART MUST BE ROHS COMPLIANT WITH THE PART NUMBER.</small>		HARMAN <small>TOLERANCES UNLESS OTHERWISE SPECIFIED: FINISHED DIMS: 0.005 (0.125) MACHINING DIMS: 0.010 (0.254) DIMENSIONS ARE IN INCHES (MM) ALL DIMENSIONS APPLY UNLESS NOTED</small>	
DESIGNED BY: MCKENZIE, TLM		DATE: 03-20-19	
DESIGNED BY: MCKENZIE, TLM		DATE: 05-29-19	
DRAWN BY: MCKENZIE, TLM		DATE: 03-20-19	
CHECKED BY: MCKENZIE, TLM		DATE: 03-20-19	
APPROVED BY: MCKENZIE, TLM		DATE: 03-20-19	
PART NUMBER: 5065760-03		REV: C	
SOURCE: TCM		SCALE: 1:1 DO NOT SCALE DRAWING	

COMPONENT MAP

BOTTOMSIDE
SCALE: 2:1



REV. NO.	5065760-03	REV. C
DATE	REV. NO. / REV.	
D		
SCALE	CS	DO NOT SCALE DIMENSIONS
		SHEET 2 OF 4



ROHS RESTRICTION OF HAZARDOUS SUBSTANCES ALL MATERIALS USED IN THIS PART MUST BE ROHS COMPLIANT. SUPPLIER SHALL PROVIDE A CERTIFICATE OF ROHS COMPLIANCE WITH THE FIRST ARTICLE.		TOLERANCES UNLESS OTHERWISE SPECIFIED FINISHED DRILL: ± 0.003 (0.0762) REGISTRATION: ± 0.002 (0.0508) MINIMUM ANNULAR RING: ± 0.002 (0.0508) .XX = ± 0.01 (0.254) .XXX = ± 0.005 (0.127)		HARMAN TITLE PCB, ASY, PRX_8xx_LINE_FILTER, AV1	
DRAWN BY WALTER, KEN	DATE 03-11-16	ASY NO. 5071362-02	REV B	PROPRIETARY AND CONFIDENTIAL PROPERTY OF HARMAN. DO NOT DISCLOSE, REPRODUCE, OR PUBLISH WITHOUT WRITTEN HARMAN APPROVAL.	
ENGINEER BIRD, ERNIE	DATE 03-11-16	SCALE 1:1	DO NOT SCALE DRAWING	SHEET 1 OF 21	1

1	Component Map - Top Side
2	Component Map - Bottom Side
3	Title Page
4	INPUT
5	OUTPUT
6	SHARC
7	LED/SWITCHES
8	MICRO/WIFI
9	PWR SUPPLY/CONNECTORS/FAN

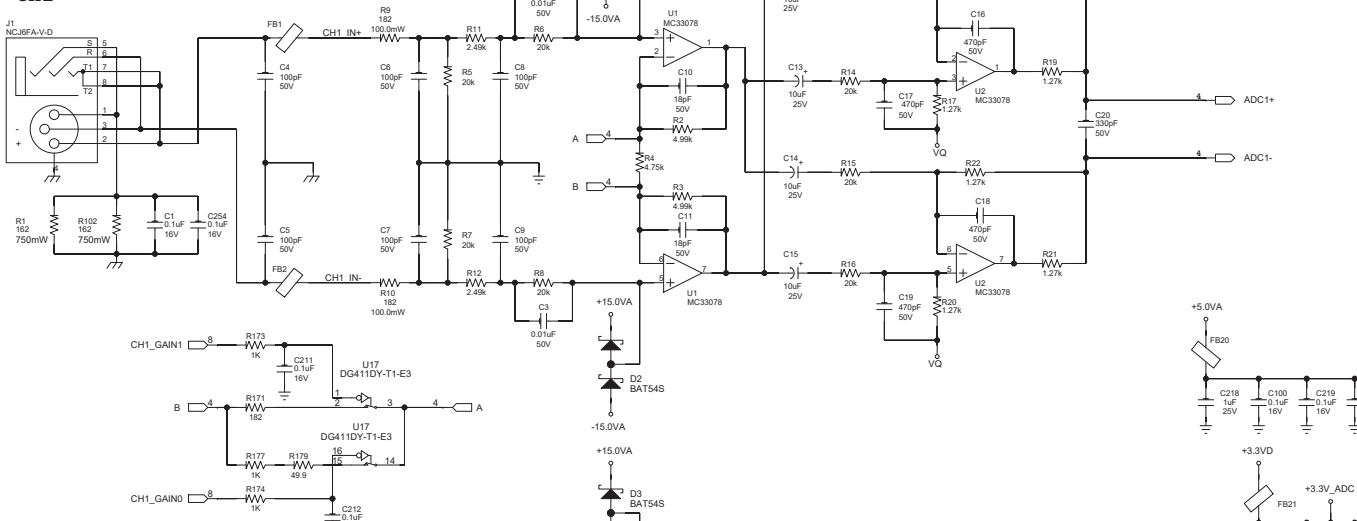
NOTE:
UNLESS OTHERWISE SPECIFIED:
1. ALL RESISTORS ARE IN OHMS, 1% AND 0.063W
2. ALL CAPACITORS ARE IN MICROFARADS

TITLE PAGE

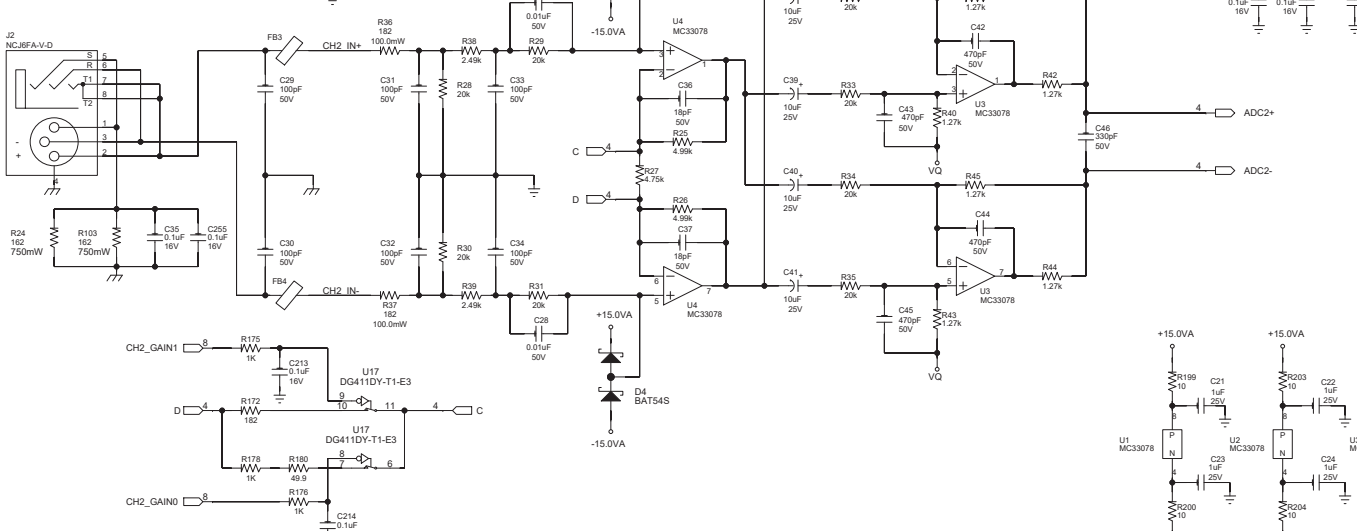
DRAWN BY:		DATE:	
FILE:	REV:	REV:	DATE:
C		5065760-03	02/03/2016:14:52
SCALE:	UNIT PART NO.:	UNIT PART NO.:	SHEET:
NONE	5065760-03	5065759-02	3 of 9

XLR INPUT STAGE

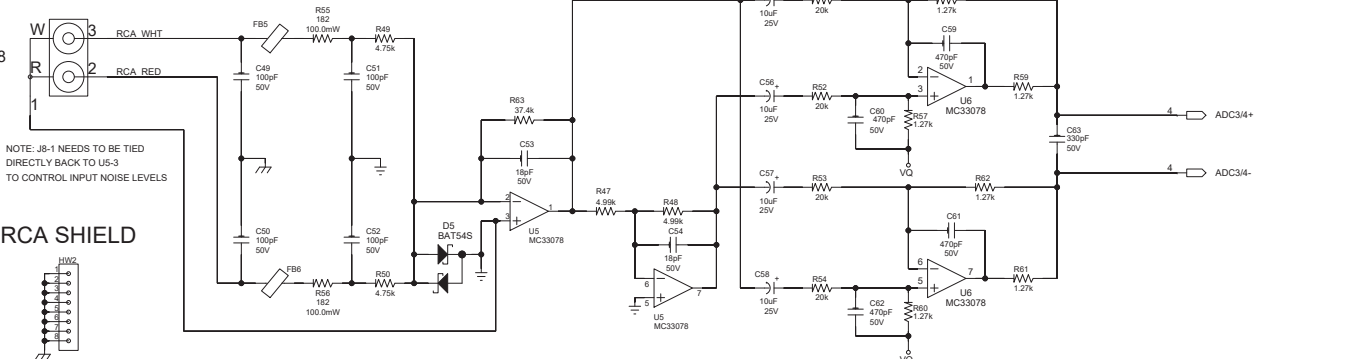
CH1



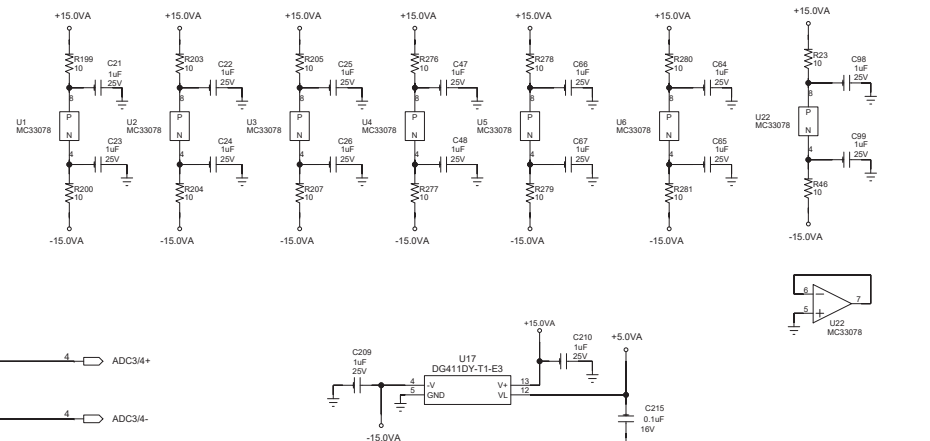
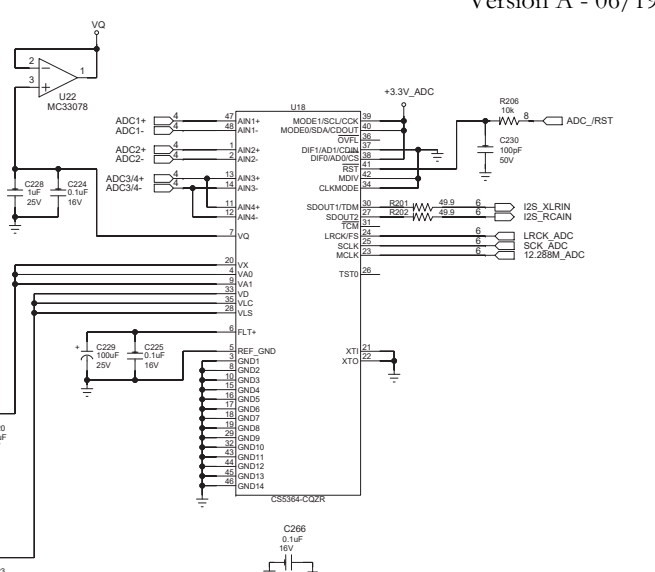
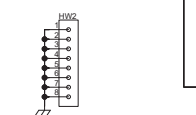
CH2



RCA INPUT STAGE



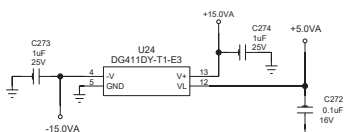
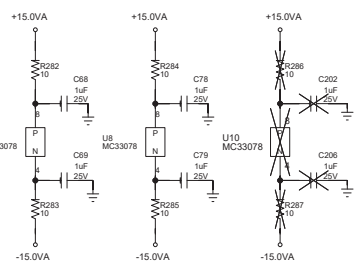
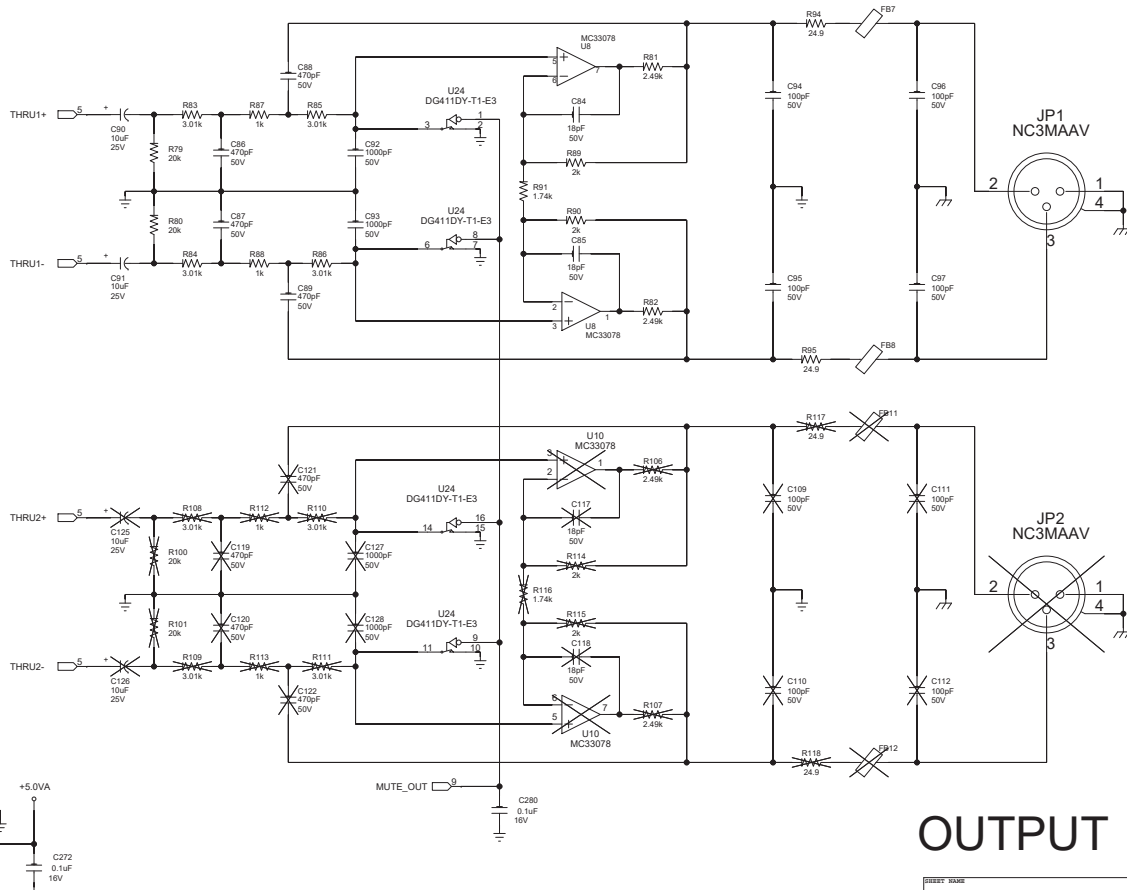
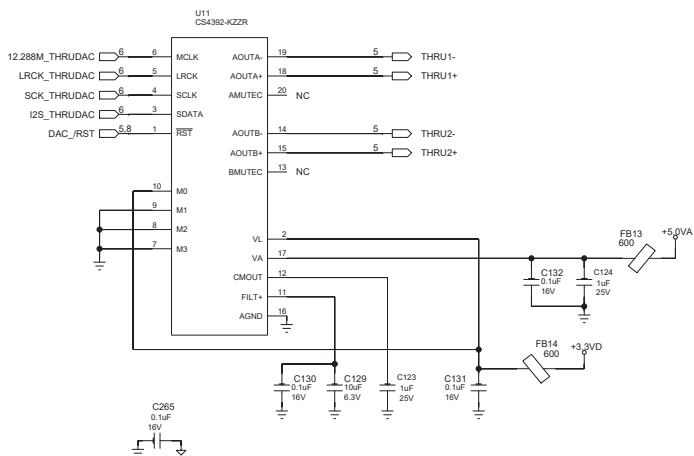
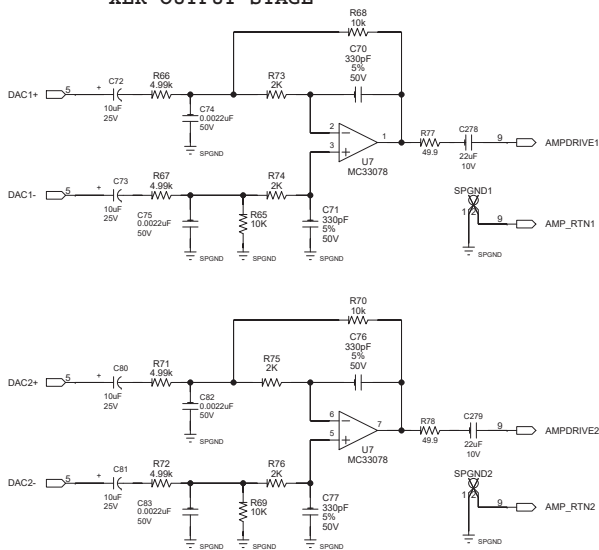
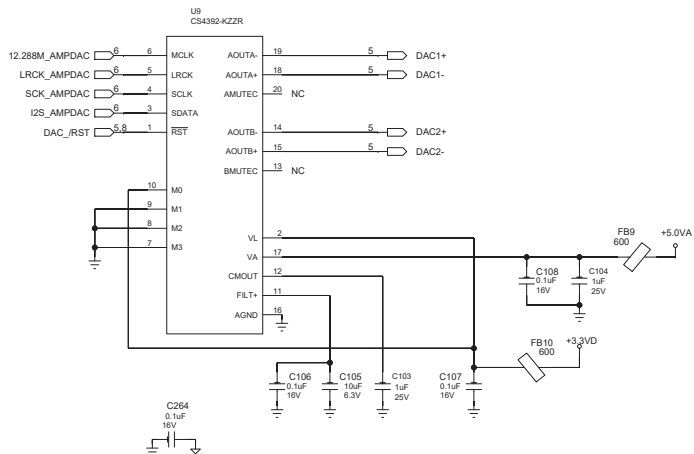
RCA SHIELD



INPUT

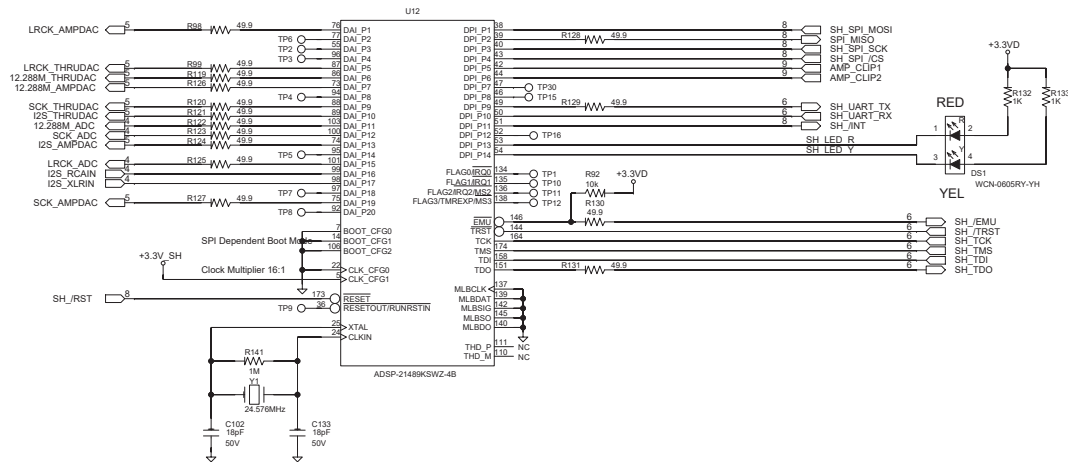
REV#	REV#	REV#	REV#
1	2	3	4
DATE	DATE	DATE	DATE
10/12/16	03/06/2016	15:22	
ITEM	REV#	REV#	REV#
C	5065760-03		C
SCALE	REV#	REV#	REV#
NONE	5065760-03	5065759-02	4 of 9

XLR OUTPUT STAGE

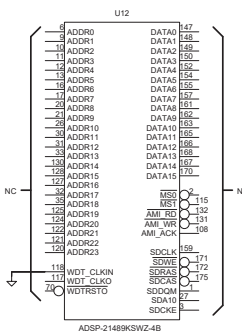
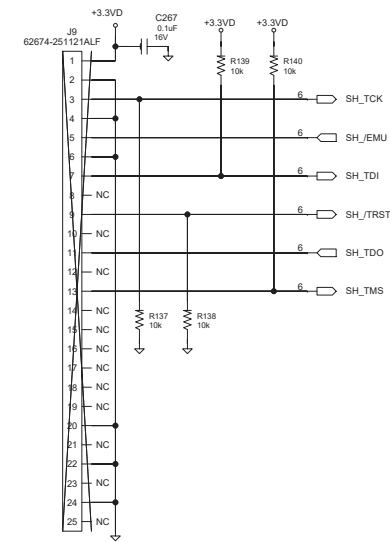


OUTPUT

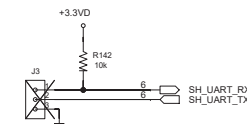
REVISED DRAWING		REVISION SUMMARY	
REV	DATE	DESCRIPTION	BY
C		5065760-03	C
SCALE	REV PART NO.	REV PART NO.	SHEET
NONE	5065760-03	5065759-02	5 of 9



SHARC JTAG DEBUG



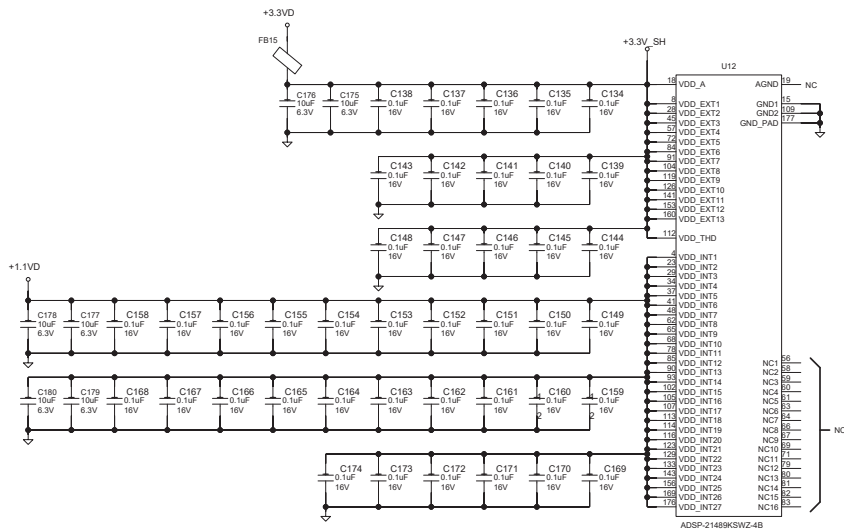
SHARC DEBUG HEADER



DGND

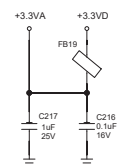
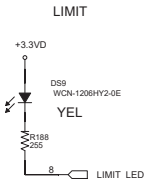
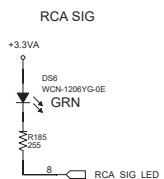
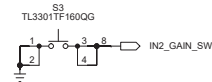
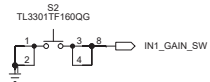
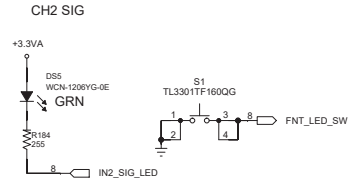
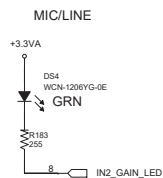
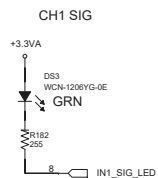
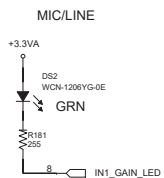


AGND

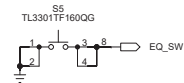
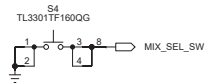
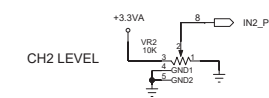
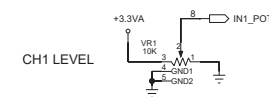
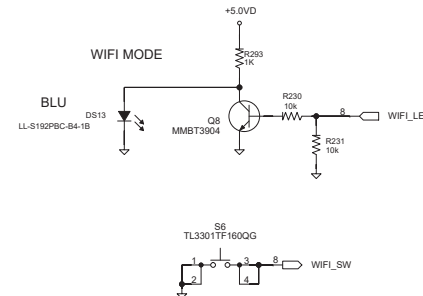
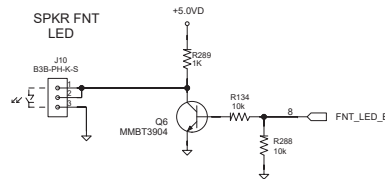
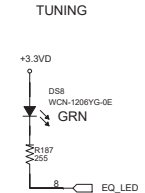
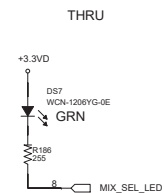
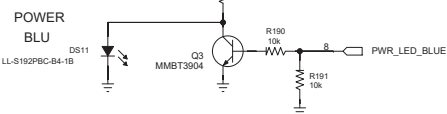
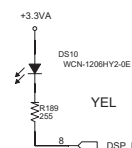


SHARC

REVISED PART NO.		REVISION	
C	5065760-03	03/06/2016:15:24	
SCALE	5065760-03	REV PART NO.	5065759-02
SHEET	6 of 9	SHEET	15



CUSTOM EQ



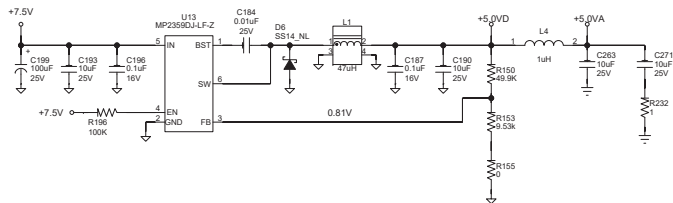
THRU BUTTON/LED FUNCTION		
MODEL	OFF	ON
810, 812, 815	STANDARD	50/50
825, 835	MIX	MIX
815XLF, 818XLF	FLAT	HI-PASS

TUNING BUTTON/LED FUNCTION		
MODEL	OFF	ON
810, 825, 835	NORMAL	BOOST
812, 815	MAIN	MONITOR
815XLF, 818XLF	NON-INVERTED	INVERTED

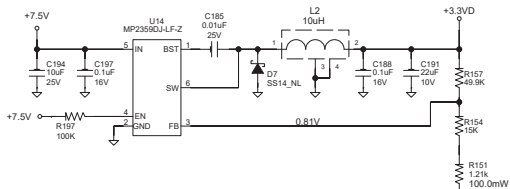
LED/SWITCHES

REVISION		REVISION	
DATE	BY	DATE	BY
C		09/06/2016:15:26	
SCALE		PART NO.	
NONE	5065760-03	5065759-02	7 of 9

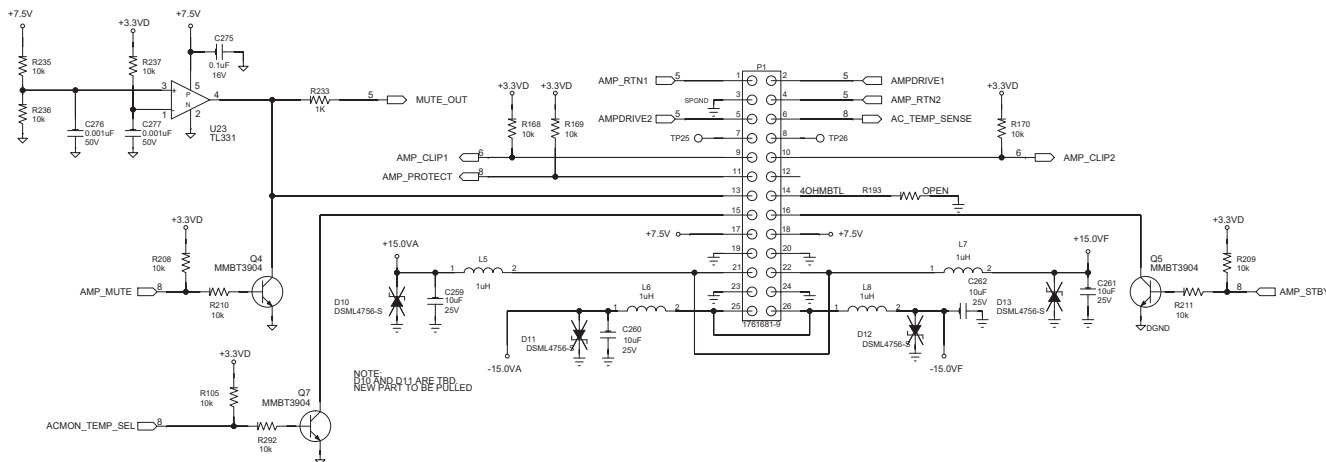
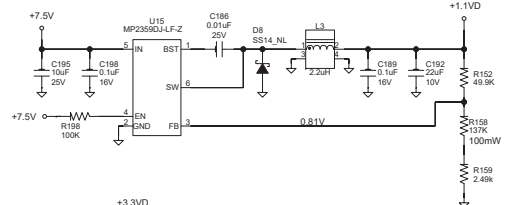
+5V D REGULATOR



+3.3V REGULATOR

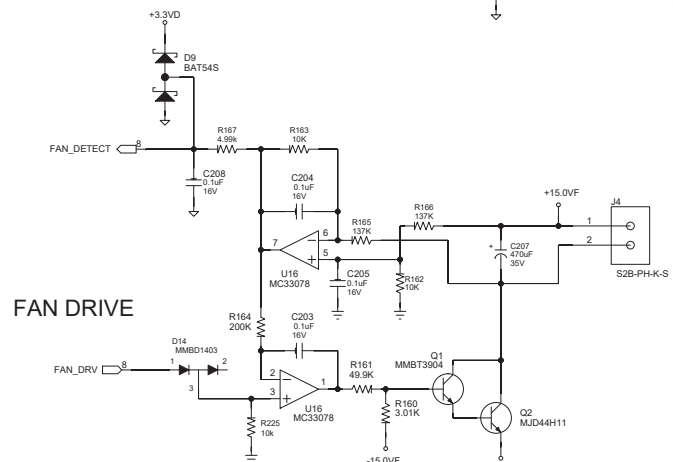
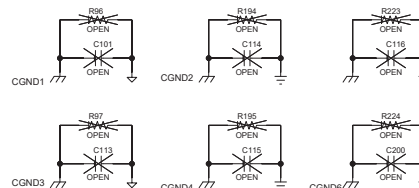


+1.1V REGULATOR



NOTE: D10 AND D11 ARE TBD
NEW PART TO BE POLLED

CHASSIS MOUNTING HOLES



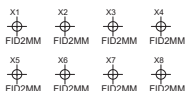
FAN DRIVE

FAN



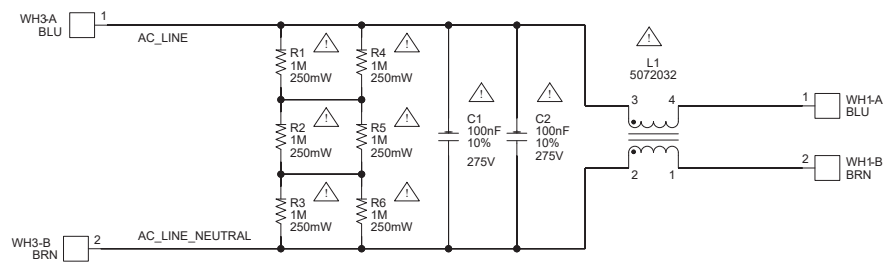
XLR SHIELD

MODEL ID RESISTOR
R156
1.21k



PWR SUPPLY/CONNECTORS/FAN

REVISED PART NO.		REVISION	
C	5065760-03	10/06/2016	09:28
SCALE	NONE	REV	C
REV	5065760-03	REV	5065759-02
SHEET	9 of 18	SHEET	9 of 18



**⚠ CRITICAL TO SAFETY COMPONENTS.
REPLACE WITH SAME COMPONENT ONLY!**

PCB1	5071360-01	PCB,RAW,PRX_8xx_LINE_FILTER,BDB	
SHEET NAME		1	REVISE DDATE
			25/05/2016:09:18
SIZE	SCH PART NO.	REV	
C		B	
		5071362-02	
SCALE	ASY PART NO.	PCB PART NO.	SHEET
NONE	5071362-02	5071360-01	2 OF 2

4

3

2

1

Refer to the corresponding Service Bill of Materials (SBOM) to order parts stocked by Harman.

Bill of Materials - System		
Ref ID	Description	Qty
1	PANEL, BOTTOM, PRX815	1
2	WRAP, PRX815W	1
3	PANEL, TOP, PRX815	1
7	BAFFLE, PRX815W	1
8	GRILL SUPPORT SIDE, (NEW), PRX815W	2
9	GRILL SUPPORT, PRX815	2
10	PORT, PRX715	2
11	LOGO SRX800, EON615	1
13	GRILLE, PRX815	1
14	SCR, 6 X 3/4,OV,PH,PTCL,BLK ZC,LCS	14
15	HORN, JRX	1
16	SCR, 10-32X1,PAN,PH,BLK	16
17	GASKET, 6.5 X 12 WAVEGUIDE AE	1
18	2408H-2 UNIT ASSEMBLY	1
19	HANDLE ASSY, PRX700	1
20	FSTNR,MSCR,8-32, HANDLE, VXP15	8
21	SCR, 8 X 1/2,PAN,PH,PB,BLK ZINC,LCS	14
22	L-BRACKET, M10, LOW COST	6
25	AMPLIFIER, PRX 812W/815W	1
27	SCR, 10-32 X 3/4",FLT,PH,BLK ZINC,LCS	10
28	FOOT, SRX	8
29	SCR, 10 X 3/4,PAN,PH,PB,BLK ZINC,LCS	8
30	CUP, DUAL POLE, VRX/JRX	1
31	GASKET, HANDLE VTX-V25	1
33	GASKET, DUAL POLE CUP, VRX/JRX	1
34	M/I, 275G	1
35	SCR, 10-32 X 1,FIL,PH,BLK	8
37	CORD, AC, LINE, 120V, EON	1
38	HARNESS ASSY, PRX715	1
40	SCR,M10 X 35MM,FLAT,HEX,BLK ZNC,ALLOY	12
41	LED PCB, PRX800	1
42	SCR,6X3/4",PAN,PH,PB,BLK	2
53	T-NUT 8-32X1 1/32	8
54	T-NUT, 10-32	18
55	T-NUT, 10-32,SPECIAL,PRO	16
57	GASKET, REAR 15"	1
70	ANTENNA, PRX800	1

Bill of Materials - Amplifier		
Ref ID	Description	Qty
1	ENCL,CHAS,PRX800W EM	1
2	ISOLATING SHEET, PRX700	1
3	GAP PAD 1, PRX700	2
4	GAP PAD 2, PRX700	1
5	GAP PAD 3, PRX700	1
6	PSU / AMPLIFIER BOARD ASSEMBLY, PRX700 (A2710515B01A)	1
7	26PIN RIBBON CABLE, PRX700	1
8	CBL,WA,RF,PAS,200mm,50ohm,RP-SMA,MHF	1
9	GASKET, PCB PASS THROUGH	1
10	PASS THRU PCB ASSEMBLY- 2 WAY, PRX700	1
13	MECHASY,PRX 812W/815W,REAR PNL	1
13.1	ENCL,PNL,BACK,PRX 812W/815W	1
13.2	AC INLET SOCKET, PRX700	1
13.3	THRMMGT,FAN,50X50X15,24V,11.6 CFM	1
13.4	GROUND WIRE, PRX700	1
13.5	PCB,ASY,PRX_8xx_LINE_FILTER,AV1	1
R1-R6	RES,1M00,1.0%,125mW,TN,1206,CSA TESTED	6
C1-C2	CAP,100n,10%,275V,FILM,PP,RDL	2
WH1	CBL,WA,18AWG,BRN/BLU,PRX800W	1
L1	IDCTR,CHOKE,COMMON MODE,T25/15/13-R10K	1
WH3	CBL,WA,IEC,PRX800W	1
13.6	PCB,ASY,PRX800W_INPUT_FULL,AV1	1
U9,U11	IC, DAC 2CH 24BIT 192KHZ CS4392 TSSOP20	2
D1-D5,D9	DIO,SCHOTTKY,BAT54S,30V,200mA,SOT23	6
C190,C193-C195,C259-C263,C271	CAP,10u,10%,25V,CER,X7R,1210	10
C105,C129,C175-C180,C183,C249-C250	CAP,10u,20%,6.3V,CER,X5R,0805	11
L2	IND, 10UH 1.8A 5.2X5.2	1
C191-C192,C278-C279	CAP,22u0,20%,10V,CER,X5R,1206	4
S1-S6	SW, 1P1T PB 250V 50MA SM VRT	6
C21-C26,C47-C48,C64-C69,C78-C79,C98-C99,C103-C104,C123-C124,C209-C210,C217-C218,C223,C228,C256-C257,C273-C274	CAP,1.0u,10%,25V,CER,X5R,0603	32
C184-C186	CAP,10n0,5%,25V,CER,X7R,0402	3
U23	IC, COMP LOBIAS TL3311 SOT-23-5	1
R9-R10,R36-R37,R55-R56,R171-R172	RES,182R,1%,63mW,THKF,0603	8
R154	RES,15k0,1%,100mW,THKF,0603	1
R151,R156	RES,1k21,1%,100mW,THKF,0603	2
C92-C93	CAP,1n0,5%,50V,CER,COG,0603	2
D14	DIO,GP,MMBD4148SE,100V,200mA,SOT23	1
U13-U15	IC,VREG,MP2359,ADJ,SW,1.2A,SOT23-6	3
D6-D8	DIO,SCHOTTKY,SS14,1.0A,40V,DO-214AC/SMA	3
C74-C75,C82-C83	CAP,2n2,5%,50V,CER,COG,0603	4
U12	IC,DSP,ADSP-21489KSWZ-4B,400MHz,176,LQFP	1
Q2	XSTR,BJT,NPN,80V,8A,D-PAK	1
R11-R12,R38-R39,R81-R82,R159	RES,2k49,1%,63mW,THKF,0402	7

FB1-FB10,FB13-FB15,FB17-FB21,FB23-FB25	IDCTR,FBD,600R,100MHZ,1300mA, 0603	21
L4-L8	IDCTR,1U,1A,3.2X2.5X2.0,SM	5
DS11,DS13	OPTO,LED,BLU,473nm,CLR 140mcd,SMD0603	2
DS2-DS8	OPTO,LED,GRN,565nm,CLR,30mcd,SM1206	7
DS9-DS10	OPTO,LED,YEL,589nm,DIF,8mcd,SM1206	2
C1,C35,C100,C106-C108,C130-C132,C134-C174,C181-C182,C187-C189,C196-C198,C201,C203-C205,C208,C211-C216,C219-C222,C224-C227,C232-C248,C253-C255,C258,C264-C270,C272,C275,C280	CAP,100n,10%,16V,CER,X7R,0402	108
C199,C229	CAP,100u,20%,25V,EL,85C,6.3x7.7,SM	2
C12-C15,C38-C41,C55-C58,C72-C73,C80-C81,C90-C91	CAP,10u0,20%,25V,EL,85C,4x5.4,SM	18
R65,R68-R70,R92-R93,R105,R134-R140,R142,R146-R149,R162-R163,R168-R170,R190-R191,R206,R208-R212,R220,R225,R228,R230-R231,R235-R237,R249,R259-R265,R267-R268,R273-R275,R288,R290-R292	RES,10k0,1%,63mW,THKF,0402	57
R87-R88,R132-R133,R173-R178,R192,R214,R217-R218,R233,R266,R269-R270,R289,R293	RES,1k00,1%,63mW,THKF,0402	20
C2-C3,C27-C28	CAP,10n0,5%,50V,CER,COG,0805	4
R64,R98-R99,R104,R119-R131,R143-R145,R179-R180,R201-R202,R229,R238-R248,R251-R254,R256-R258,R271-R272	RES,49R9,1%,63mW,THKF,0201	45
R73-R76,R89-R90	RES,2k00,1%,63mW,THKF,0402	6
JP1	CON,XLR,M,3P,PLASTIC,TH,VERT	1
R232	RES,1R00,1%,100mW,THKF,0603	1
R155	RES,0R00,+0R05,63mW,THKF,0402	1
R77-R78	RES,49R9,1%,63mW,THKF,0402	2
C276-C277	CAP,1n0,10%,50V,CER,X7R,0402	2
U21	IC,MEM,FLASH,SPI,64Mb,3.3v,SO8W,DANTE	1
Y2	XTLO,XTAL,12.000MHz,18pF,SMD	1
HW1	HDW,SHLD,SRX,4 XLRS	1
C10-C11,C36-C37,C53-C54,C84-C85,C102,C133,C251-C252	CAP,18p0,5%,50V,CER,COG,0603	12
U17,U24	IC,DG411,QUAD,CMOS,ANALOG SWITCH	2
Y1	XTLO,XTAL,24M576,18p,MTL,LP,SM,TA	1
R181-R189	RES,255R,1%,63MW,THKF,0402	9
R17-R22,R40-R45,R57-R62	RES,1k27,1%,63MW,THKF,0402	18
DS1,DS12	OPTO,LED,RED/YEL,1.6X1.5X0.55MM,0605	2
U20	IC,LIN,SPRVSOR RESET,803,2.93V,SC70	1
R153	RES,9k53,1%,63mW,THKF,0402	1
MOD1	MDL,ELEC,WINC1510-MR210U,WIFI,8Mb	1
U18	IC,CONV,ADC,CS5364,4CH,24BIT,192kHz,114dB,LQFP48	1
J4	CON,HDR,1X2,2MM,RA,TH,ML	1
J10	CON,HDR,VERT,2MM,3POS,TH	1
P1	CON,HDR,2X13,SHRD,0.1",TH,VERT,ML	1

J8	CON,DUAL,RCA,VERT,24MM,WHT/RED,TH	1
VR1-VR2	RES,RTRY,10k0,B,VERT,TH	2
HW2	HDW,SHLD,PRX800W,RCA	1
R1,R24,R102-R103	RES,162R,1%,750mW,THKF,2010	4
L3	IDCTR,FBD,2u2,100kHz,3.2A,5.2x5.2,SM	1
L1	IDCTR,FBD,47u0,100kHz,0.7A,5.2x5.2,SM	1
R158,R165-R166	RES,137k,1%,100mW,THKF,0603	3
U19	IC,MIPRCS,SAM4S16CA,1MB FLASH,LQFP100	1
J1-J2	CON,XLR,VERT,AuCoAg,FEM,COMBO,DISASY	2
J6	CON,USB,MICRO,I/O,TYPE B,VERT,RCPT,SM	1
R196-R198,R219,R221-R222	RES,100k,1%,63mW,THKF,0402	6
R141	RES,1M00,1%,63mW,THKF,0402	1
R23,R46,R199-R200,R203-R205,R207,R226-R227,R276-R285	RES,10R0,1%,63mW,THKF,0402	20
R91	RES,1k74,1%,63mW,THKF,0603	1
R5-R8,R13-R16,R28-R35,R51-R54,R79-R80	RES,20k0,1%,63mW,THKF,0402	22
R164	RES,200k,1%,63mW,THKF,0402	1
R94-R95	RES,24R9,1%,63mW,THKF,0402	2
R83-R86,R160	RES,3k01,1%,63mW,THKF,0402	5
R63	RES,37k4,1%,63mW,THKF,0402	1
R4,R27,R49-R50	RES,4k75,1%,63mW,THKF,0402	4
R2-R3,R25-R26,R47-R48,R66-R67,R71-R72,R167	RES,4k99,1%,63mW,THKF,0402	11
R150,R152,R157,R161	RES,49k9,1%,63mW,THKF,0402	4
C4-C9,C29-C34,C49-C52,C94-C97,C230	CAP,100p,5%,50V,CER,COG,0402	21
C20,C46,C63,C70-C71,C76-C77	CAP,330p,5%,50V,CER,COG,0402	7
C16-C19,C42-C45,C59-C62,C86-C89	CAP,470p,5%,50V,CER,COG,0402	16
C207	CAP,470UF 35V 20% ELEC RAD	1
Q1,Q3-Q8	XSTR,N-CH,60V 0.2A,MMBT3904,SOT-23	7
U1-U8,U16,U22	IC,AMPL,33078,DUAL_LOW_NOISE,SO8	10
13.7	HDW,SWCAP,VERT,RND,BLACK,20MM HT,2.4MM SQ MT	6
13.8	HDW,LTPP,SINGLE SMT LED,DOME,26MM HT	11
13.9	KNOB, MIXER EON206P	2
13.10	FSTNR,MSCR,PH-PNH,6-32x3/8,#2,WSHR,BLUZN	9
13.11	FSTNR,MSCR,TORX,PNH,PLASTITE,4-20X.375	7
13.12	FSTNR,MSCR,FLH,PH,M3,12mm,STL,BLKZN	2
13.13	FSTNR,NUT,M3,K-LCK,STL,ZN	2
13.14	NUT HEX 6-32 KEPS ZINC	2
13.15	RVT, .315X4.7X.09 SILRUB FAN	4
13.16	CBL,WA,16AWG,1.5",BLUE	1
13.17	CBL,WA,16AWG,1.5",BRN	1
13.19	HDW,INSUL,TAPE,PRX800 LTPP	1
14	FSTNR,MSCR,PH-PNH,M3,8mm,BLKZN	20
15	FSTNR,MSCR,POZI,M4,SPR WSHR,10mm,BLUZN	4
16	FSTNR,MSCR,PH-PNH,6-32x1/4,EX SEMS,Zn	1
17	AMP GASKET, PRX700	2