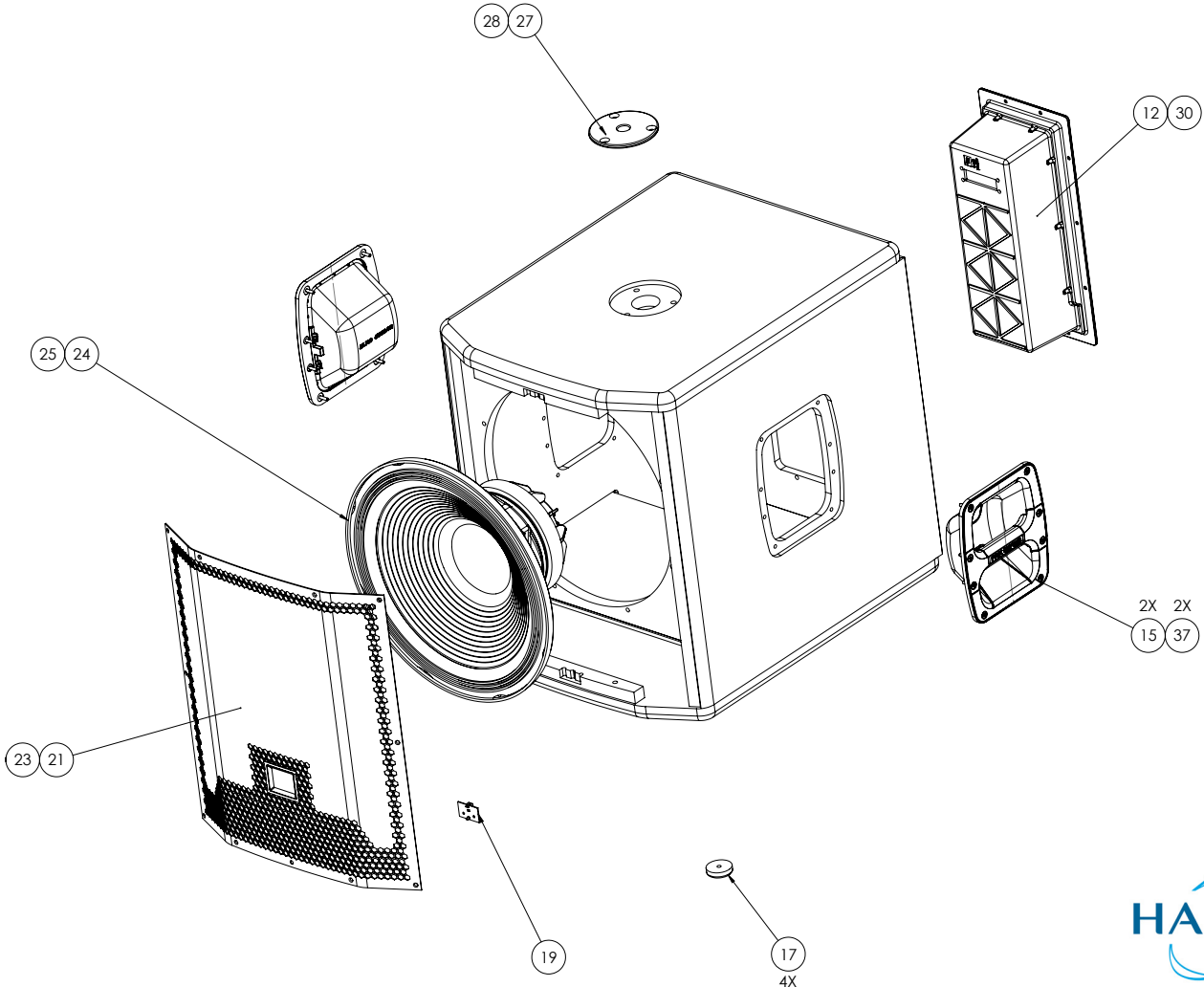


15" Self-Powered Extended Low Frequency Subwoofer System with Wi-Fi



Speaker Spare Parts List			
Ref ID	P/N	Description	Qty
12	5094107-00X	PRX815XLFW AMPLIFIER 5069053 PROGRAMMED	1
15	5032124	HANDLE ASSY, PRX700	2
17	353445-001	FOOT, SRX	4
19	5070590	LED PCB, PRX800	1
21	5064279	GRILLE, PRX815S	1
23	5056661	LOGO SRX800, EON615	1
24	5029733X	M/I, 2275H for CUSTOMER SERVICE	1
	5029733D*	M/I, 2275H (CHINA)	
25	360-70002-01	GASKET, REAR 15"	1
27	364808-001	GASKET, POLE CUP, EON518S	1
28	5003856	Pole mount, M20 3 hole pattern, various	1
30	5033756	HARNASS ASSY, PRX715XLF	1
37	445327-001	GASKET, HANDLE VTX-V25	2
50	5074270	ANTENNA, PRX800	1
	C8R2275	CONE KIT 2275H	

*These P/N are China only



15" Self-Powered Extended Low Frequency Subwoofer System with Wi-Fi

Amp Module Spare Parts List

Ref ID	P/N	Description	Qty
2	5032731	ISOLATING SHEET, PRX700	1
3	5032725	GAP PAD 1, PRX700	2
4	5032727	GAP PAD 2, PRX700	1
5	5032729	GAP PAD 3, PRX700	1
6	5042333	PSU / AMPLIFIER BOARD ASSEMBLY, PRX700 (A2710515B01A)	1
7	5032723	26PIN RIBBON CABLE, PRX700	1
8	5075604	CBL,WA,RF,PAS,200mm,50ohm,RP-SMA,MHF	1
9	5038780	GASKET, PCB PASS THROUGH	1
10	5032751	PASS THRU PCB ASSEMBLY- 2 WAY, PRX700	1
13	5068733	MECHASY,PRX 812W/815W,REAR PNL	1
	445045-001	KNOB, MIXER EON206P	2
	5032747	AC INLET SOCKET, PRX700	1
	5047651	HDW,SWCAP,VERT,RND,BLACK,20MM HT,2.4MM SQ MT	6
	5047671	HDW,LTPP,SINGLE SMT LED,DOME,26MM HT	11
	5131512-00	PCB,ASY,TST,Input_Sub_AV2_PRX815XLFW	1
	141850-1	SW, 1P1T PB 250V 50MA SM VRT	6
	5039565	CON,XLR,M,3P,PLASTIC,TH,VERT	1
	5066142	CON,DUAL,RCA,VERT,24MM,WHT/RED,TH	1
	5073007	CON,XLR,VERT,AuCoAg,FEM,COMBO,DISASY	2
	5068781	THRMMGT,FAN,50X50X15,24V,11.6 CFM	1
	5071362-02	PCB,ASY,PRX_8xx_LINE_FILTER,AV1	1
17	5032126	AMP GASKET, PRX700	2

Power Cords

P/N	Region
425-00000-00	USA
425-00000-01	Europe
5028427	AU
5027842	CH

