



Service Manual

PRX815XLF

15" Self-Powered Extended Low Frequency Subwoofer System with Wi-Fi





Table of Contents

Datasheets and Specifications

Exploded View Diagrams

Board Layouts

Schematics

Bill of Materials



PRX815XLF

15" Powered Subwoofer



HIGHLIGHTS ■

Wi-Fi Control

Wirelessly set up, tune, and run your system via the free PRX Connect app, available for Android and iOS

1500-Watts of Power

Class D power meets JBL's patented Differential Drive technology for maximum efficiency.

Roadworthy

Stronger build quality, Duraflex finish, and proven mechanical design

The PRX815XLF 15" powered portable subwoofer is a member of the most advanced loudspeaker family in its class. Wi-Fi technology and sophisticated DSP give you complete control over the tuning and performance of your system—from anywhere in the venue—via the free PRX Connect app. An efficient 1500-watt class-D amplifier and patented JBL Differential Drive technology provide best-in-class power handling while greatly reducing system weight. And the rugged all-wood cabinets feature a redesigned input panel and universal power supply for easy, reliable operation at gigs worldwide. Thoughtfully designed from the ground up to deliver legendary JBL sound, PRX800 represents the next generation in smart live sound reinforcement.

KEY MESSAGES ■

WI-FI CONTROL

The PRX815XLF extended low frequency subwoofer was designed and engineered to provide sub bass frequencies with accuracy and power. Used as a single sub in a sub/ sat system or in multiples as part of a scalable, large format sound reinforcement system, the PRX815XLF performs with exceptional efficiency and control. The subs are stackable and light-weight, ensuring quick set-ups and tear-downs. Due to their rugged construction, they are perfect for AV rental inventories. With the integrated stereo pass-thru this is the most powerful low-frequency complement to the PRX full-range systems. The addition of a polarity reverse option further enables system optimization. PRX800 subwoofers feature a standard M20 threaded pole cup that can accept most modern subwoofer-mounted speaker poles.

1500 WATTS OF POWER

With integrated 1500-watt Class-D power amplifiers, PRX800 is the most powerful, efficient system in its class. Patented JBL Differential Drive™ woofer technology reduces magnet mass while increasing power handling. Both of these features work together to make PRX800 a remarkably lightweight system capable of delivering clear, pristine audio at extraordinarily high volumes.

ROADWORTHY AND TOUR TESTED

All PRX800 cabinets are built from 18 mm, strong, light-weight poplar plywood made structurally sound with tongue and groove joints. All PRX800 Series cabinets are protected by JBL's tour proven DuraFlex™ finish. Grilles are made from dent-resistant 16 gauge steel and handles are made from light-weight glass-filled nylon for added strength and durability. All M10 suspension points are constructed from 14 gauge steel and have been tested with a yield-strength of 1000 lbs. Each.

IN THE BOX ■

PRX815XLF
IEC Cable
User's Guide

PRX815XLF

15" Powered Subwoofer



APPLICATIONS ■

APPLICATION EXAMPLE 1

Bands, DJs, and other performers who need a powerful, accurate, versatile PA system.

APPLICATION EXAMPLE 2

Permanent PA in small clubs, bars, and other performance venues.

APPLICATION EXAMPLE 3

Permanent PA for houses of worship and schools.

FEATURES ■

- Built in Wi-Fi for wireless control of your system from anywhere in the venue
- Free PRX Connect mobile app provides wireless control over levels, parametric EQ, user presets, and up to 50ms of user delay to fine-tune your sound
- Class-leading 1500-watt amplifier delivers ample power to fill your venue
- JBL Differential Drive® transducers for higher SPL in a lightweight design
- Next-generation JBL neodymium compression drivers
- Crown-designed input panel with XLR, 1/4", and RCA inputs, plus XLR loop-through
- Durable construction with wooden cabinets, tour-proven DuraFlex™ finish, and dent-resistant cloth-backed 16-gauge grilles
- Universal power supply for worldwide compatibility
- Demanding 100-hour test regimen ensures reliable performance
- Intelligent variable-speed fan activates only when needed to reduce noise
- Scalable system that integrates with other JBL portable powered PAs

TECHNICAL SPECIFICATIONS ■

SYSTEM TYPE:	Self Powered 15" subwoofer
MAXIMUM SPL OUTPUT:	131 dB peak
FREQUENCY RANGE (-10 dB):	36 Hz - 113 Hz
FREQUENCY RESPONSE (±3 dB):	40 Hz - 91 Hz
POWER RATING:	1500W
INPUT IMPEDANCE:	20K Ohms (balanced)
NET WEIGHT:	25.4 kg (56.0 lb)
DIMENSIONS (H X W X D):	548 mm x 446 mm x 572 mm (21.6 in x 17.5 in x 22.5 in)

ORDER SPECIFICATIONS ■

BOX DIMS (L X W X H):	22.5 in x 26.5 in x 23.9 in
SHIPPING WEIGHT:	64.6 lbs
COUNTRY OF ORIGIN:	MX

UPC CODE: 691991005367



JBL Professional 8500 Balboa Blvd. Northridge, CA 91329 USA

© 2017 HARMAN International Industries, Incorporated. All rights reserved.
Features, specifications and appearance are subject to change without notice.

www.jblpro.com

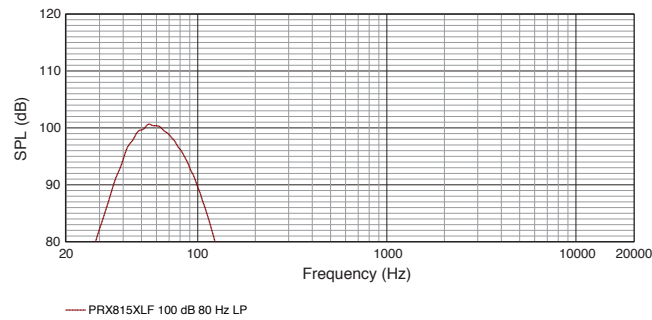
PRX815XLF

15" Powered Subwoofer



FREQUENCY RESPONSE ■

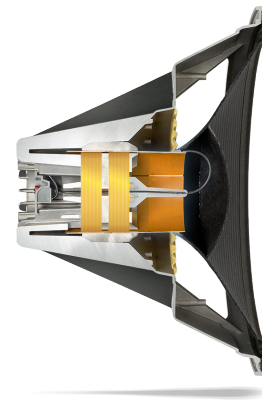
FREQUENCY RESPONSE (NORMAL)



PRX CONNECT APP ■



DIFFERENTIAL DRIVE ■



JBL Professional 8500 Balboa Blvd. Northridge, CA 91329 USA

© 2017 HARMAN International Industries, Incorporated. All rights reserved.
Features, specifications and appearance are subject to change without notice.

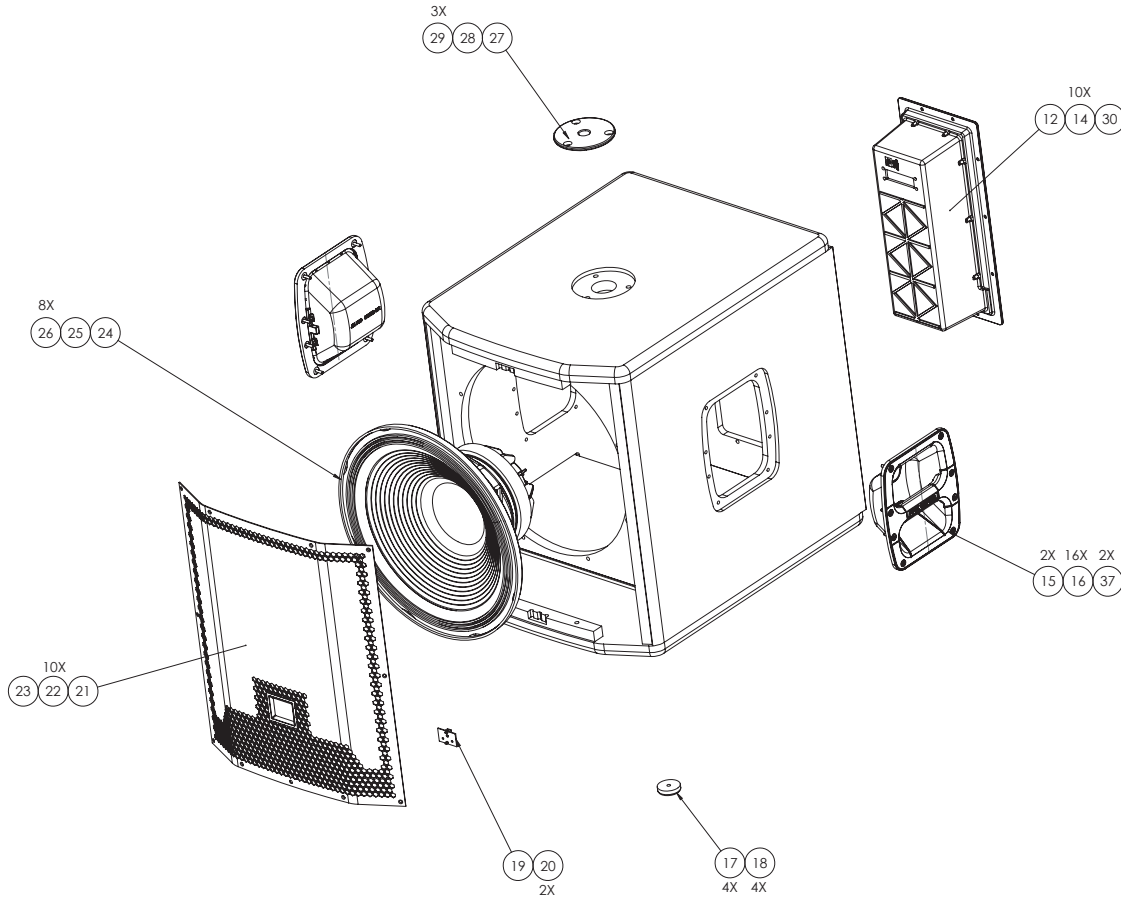
www.jblpro.com

Exploded View Diagram

8 7 6 5 4 3 2 1

THESE DRAWINGS AND SPECIFICATIONS ARE THE PROPERTY OF HARMAN. DO NOT DISCLOSE, REPRODUCE OR PUBLISH WITHOUT WRITTEN HARMAN APPROVAL.

CHG		LTR		REVISIONS			DRFT	CHK	DATE	APPR
				DESCRIPTION						
				SEE SHEET 1						



31 50 51 52

NOTES: (UNLESS OTHERWISE SPECIFIED)

HARMAN			
TITLE			
S/M PRX85XLFW			
SIZE	DRAWING NO.	REV	
D	1000223728	C	
SCALE: 1:1		SHEET 2 OF 4	

8

7

6

5

4

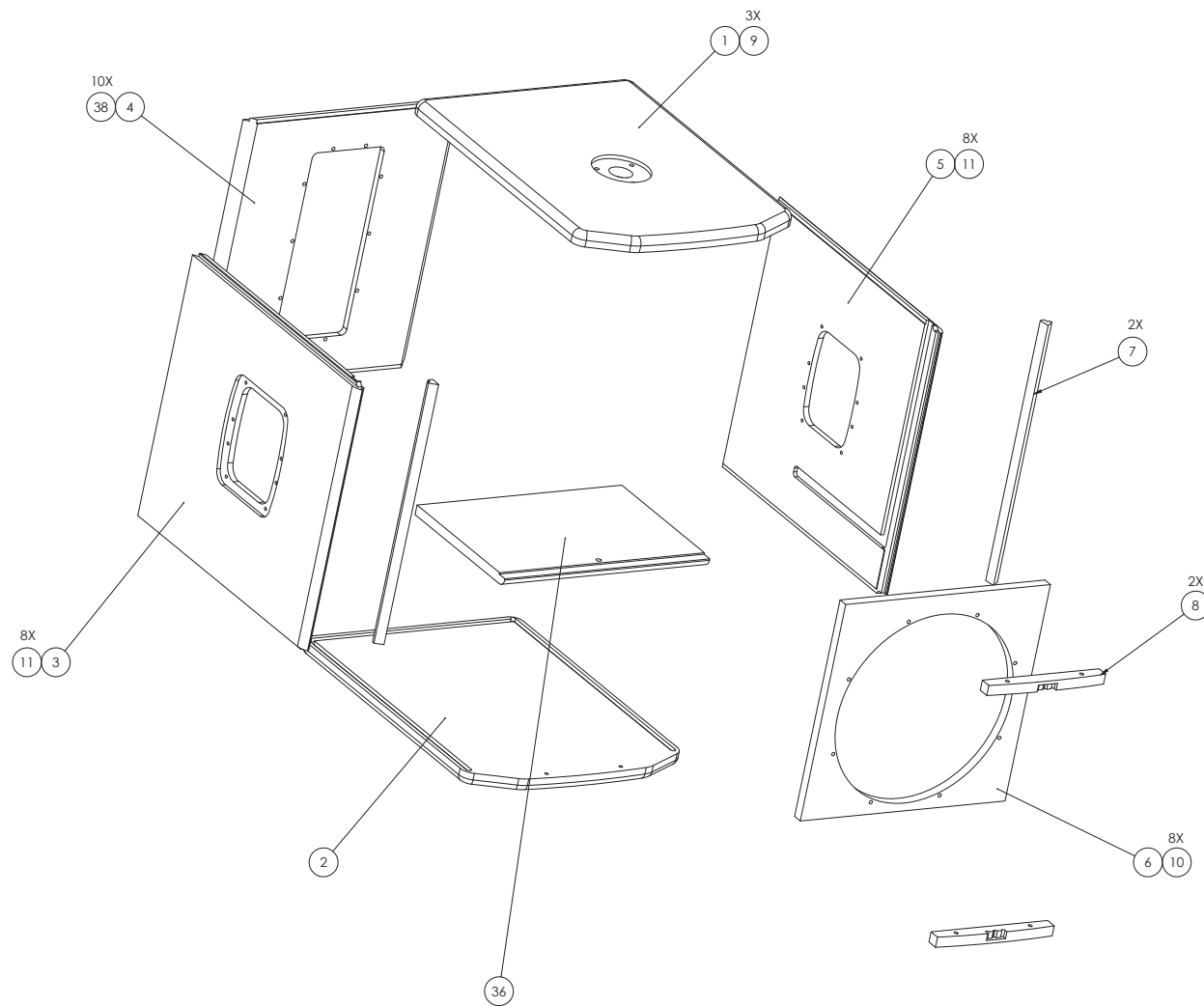
3

2

1

THESE DRAWINGS AND SPECIFICATIONS ARE THE PROPERTY OF HARMAN. DO NOT DISCLOSE, REPRODUCE OR PUBLISH WITHOUT WRITTEN HARMAN APPROVAL.

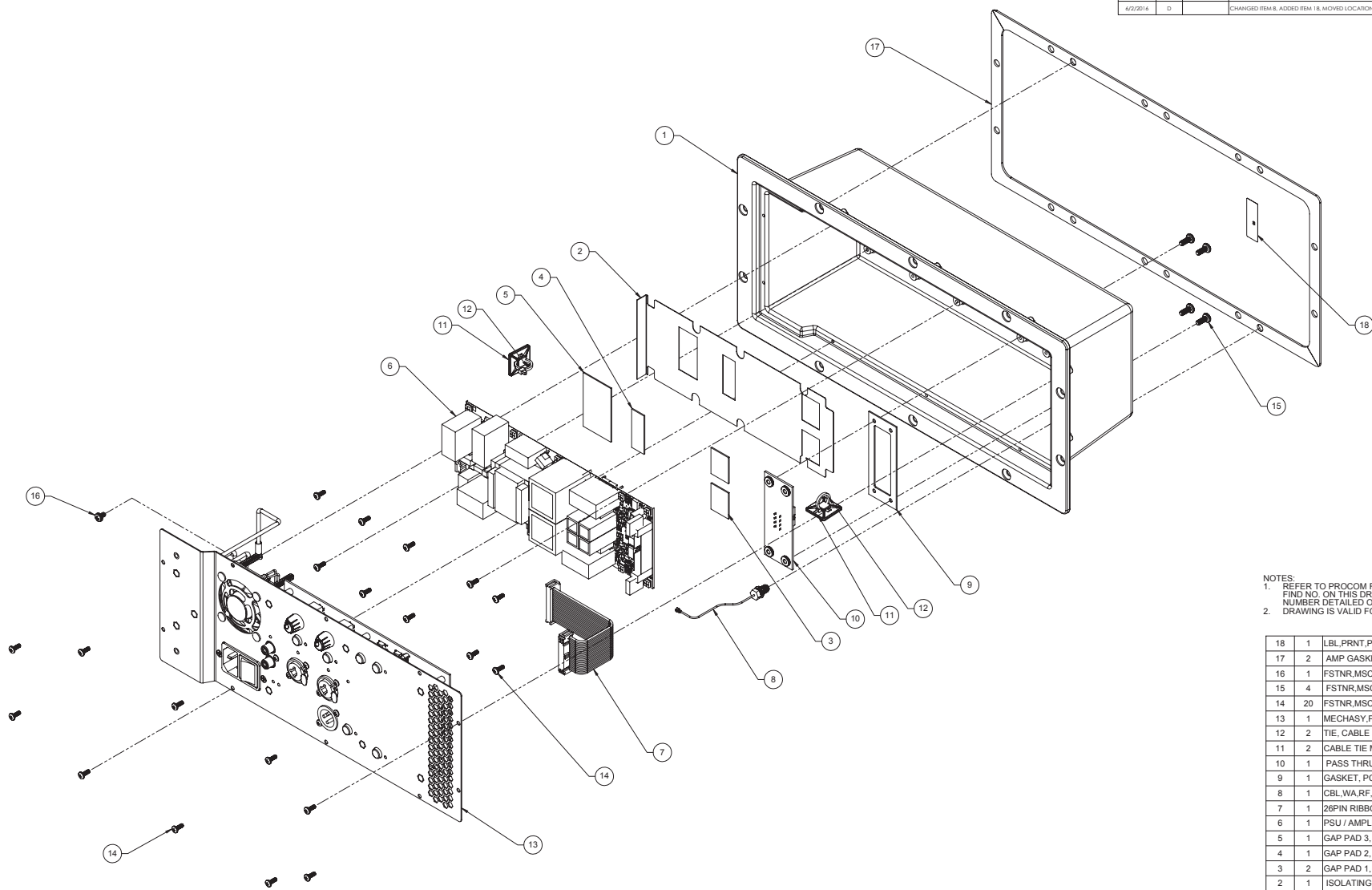
CHG		LTR		REVISIONS			DRFT	CHK	DATE	APPR
				DESCRIPTION						
				SEE SHEET 1						X.X



NOTES: (UNLESS OTHERWISE SPECIFIED)

HARMAN			
TITLE		S/M PRX815XLFW	
SIZE	DRAWING NO.	REV	
D	1000223728	C	
SCALE: 1:1		SHEET 3 OF 4	

REVISION HISTORY					
DATE	REV.	PREVIOUS PART NO.	DESCRIPTION	ZONE	BY
12/11/2013	A		INITIAL RELEASE		RWS
2/24/2014	B		F1 CHANGES		RWS
3/17/2014	C		ADDED 4-32 SEMS, CABLE TIE, CABLE TIE MOUNT.		RWS
4/2/2014	D		CHANGED ITEM 8, ADDED ITEM 18, MOVED LOCATION OF ITEM 11		RWS

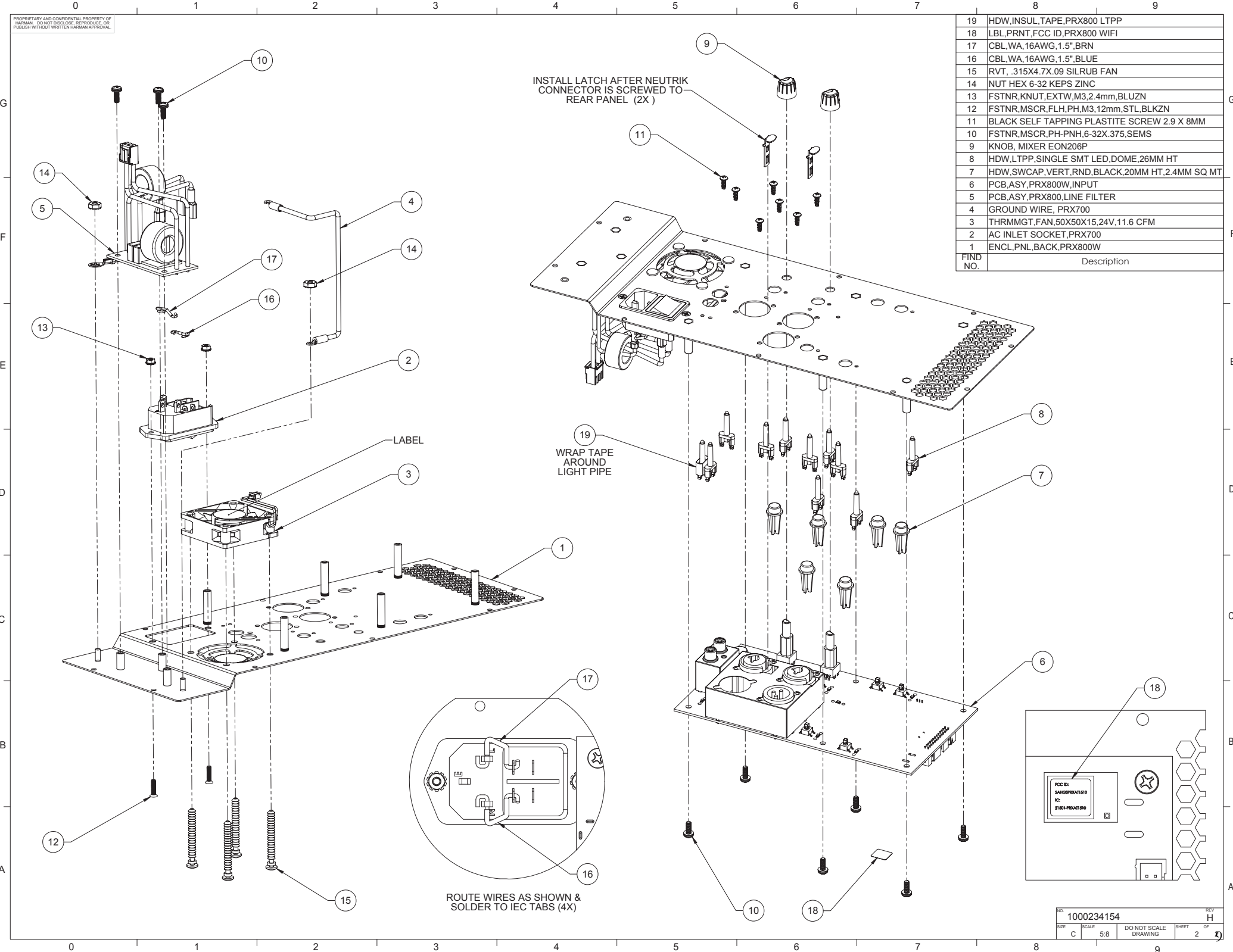


NOTES:
1. REFER TO PROCOM FOR COMPONENT PART NUMBERS. FIND NO. ON THIS DRAWING CORRESPONDS TO THE FIND NUMBER DETAILED ON THE PROCOM BILL OF MATERIALS.
2. DRAWING IS VALID FOR 5069108, 50669109, & 5071129.

18	1	LBL_PRNT_PRX800_SIN
17	2	AMP GASKET, PRX700
16	1	FSTNR,MSCR,PH-PNH,6-32x1/4,EX SEMS,Zn
15	4	FSTNR,MSCR,PH-PNH,M4,SPR,WSHR,10mm,BLUZn
14	20	FSTNR,MSCR,PH-PNH,M3,8mm,BLKZn
13	1	MECHASY_PRX800W_REAR_PNL
12	2	TIE, CABLE 5.5" OR MORE 18 LB
11	2	CABLE TIE MNT W/ADHESIVE BL 0.75" SQ BIN
10	1	PASS THRU PCB ASSEMBLY- 2 WAY, PRX700
9	1	GASKET, PCB PASS THROUGH
8	1	CBL_WA,RF,PAS,200mm,50ohm,RP-SMA,MHF
7	1	26PIN RIBBON CABLE, PRX700
6	1	PSU / AMPLIFIER BOARD ASSEMBLY, PRX700
5	1	GAP PAD 3, PRX700
4	1	GAP PAD 2, PRX700
3	2	GAP PAD 1, PRX700
2	1	ISOLATING SHEET, PRX700
1	1	ENCL_CHAS_PRX800W_EM

<p>ROHS</p> <p>RESTRICTION OF HAZARDOUS SUBSTANCES</p> <p>ALL HARMAN MANUFACTURED PRODUCTS SHALL BE COMPLIANT WITH THE ROHS COMPLIANCE REQUIREMENTS OF THE EUROPEAN UNION.</p>	<p>TOLERANCES UNLESS OTHERWISE SPECIFIED:</p> <p>All Dimensions in mm</p> <p>Angled 4:1</p> <p>ALL DIMENSIONS ARE DIMENSIONS UNLESS OTHERWISE SPECIFIED BY THIS DRAWING.</p>	<p>THIS DRAWING IS THE PROPERTY OF HARMAN INTERNATIONAL COMPANY. IT IS TO BE USED ONLY FOR THE PURPOSES SPECIFIED BY THE DRAWING. IT IS NOT TO BE REPRODUCED OR TRANSMITTED IN ANY FORM OR BY ANY MEANS, ELECTRONIC OR MECHANICAL, INCLUDING PHOTOCOPYING, RECORDING, OR BY ANY INFORMATION STORAGE AND RETRIEVAL SYSTEM, WITHOUT THE WRITTEN PERMISSION OF HARMAN INTERNATIONAL COMPANY.</p>	<p>DATE: 12/11/2015</p> <p>DESIGNED BY: RWS</p> <p>DESIGNED BY: RWS</p> <p>DATE: 8/2/2015</p> <p>DESIGNED BY: RWS</p>	<p>DATE: 12/11/2015</p> <p>DESIGNED BY: RWS</p> <p>DATE: 8/2/2015</p> <p>DESIGNED BY: RWS</p>	<p>1000235451</p> <p>DO NOT SCALE DRAWING</p>	<p>HARMAN</p> <p>MECHASY_PRX800W_AMP</p>	<p>1 2</p>
--	--	---	---	---	---	--	------------

PROPRIETARY AND CONFIDENTIAL PROPERTY OF HARMAN. DO NOT DISCLOSE, REPRODUCE, OR PUBLISH WITHOUT WRITTEN HARMAN APPROVAL.

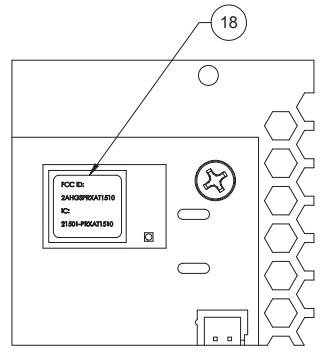


INSTALL LATCH AFTER NEUTRIK CONNECTOR IS SCREWED TO REAR PANEL (2X)

WRAP TAPE AROUND LIGHT PIPE

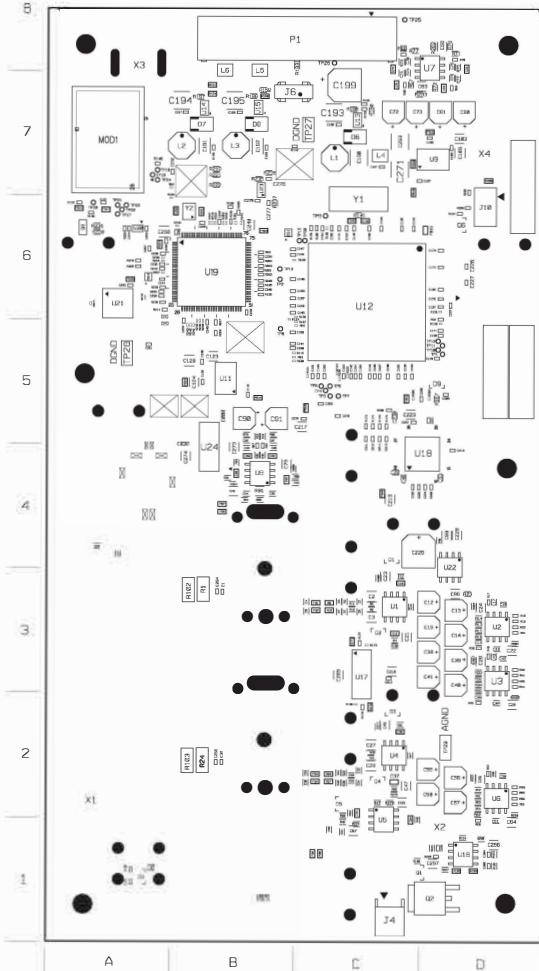
ROUTE WIRES AS SHOWN & SOLDER TO IEC TABS (4X)

FIND NO.	Description
19	HDW,INSUL,TAPE,PRX800 LTPP
18	LBL,PRNT,FCC ID,PRX800 WIFI
17	CBL,WA,16AWG,1.5" BRN
16	CBL,WA,16AWG,1.5" BLUE
15	RVT, .315X4.7X.09 SILRUB FAN
14	NUT HEX 6-32 KEPS ZINC
13	FSTNR,KNUT,EXTW,M3,2.4mm,BLUZN
12	FSTNR,MSCR,FLH,PH,M3,12mm,STL,BLKZLN
11	BLACK SELF TAPPING PLASTITE SCREW 2.9 X 8MM
10	FSTNR,MSCR,PH-PNH,6-32X.375,SEMS
9	KNOB, MIXER EON206P
8	HDW,LTPP,SINGLE SMT LED,DOME,26MM HT
7	HDW,SWCAP,VERT,RND,BLACK,20MM HT,2.4MM SQ MT
6	PCB,ASY,PRX800W,INPUT
5	PCB,ASY,PRX800,LINE FILTER
4	GROUND WIRE, PRX700
3	THRMMGT,FAN,50X50X15,24V,11.6 CFM
2	AC INLET SOCKET,PRX700
1	ENCL,PNL,BACK,PRX800W



COMPONENT MAP TOPSIDE SCALE: 2:1

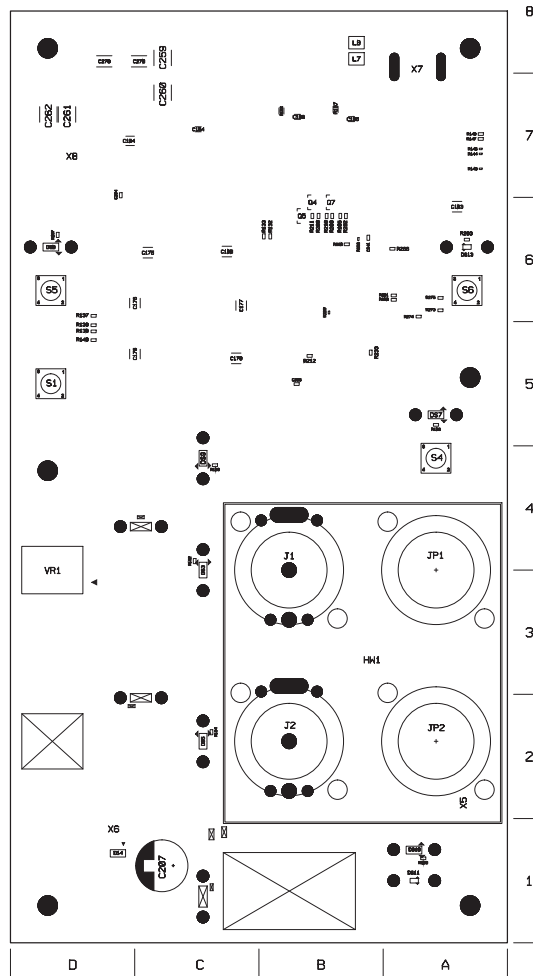
REVISION HISTORY			
DATE	REV.	DESCRIPTION	REV.
03-20-18	A	SEE 5065760-03_A.XLS FOR COMPONENT DATA AND REVISION HISTORY.	TLM
05-31-18	B	SEE 5065760-03_B.XLS FOR COMPONENT DATA AND REVISION HISTORY.	TLM
06-10-18	C	SEE 5065760-03_C.XLS FOR COMPONENT DATA AND REVISION HISTORY.	TLM



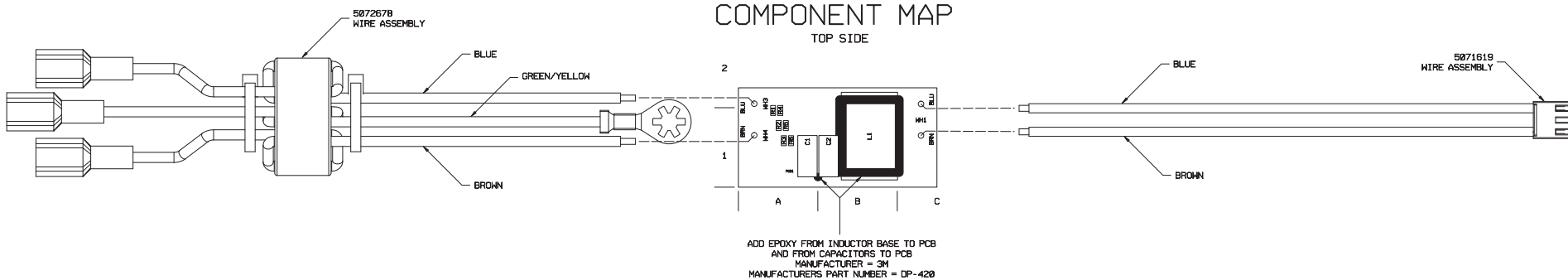
ROHS <small>RESTRICTION OF HAZARDOUS SUBSTANCES ALL MATERIALS USED IN THIS PART MUST BE ROHS COMPLIANT WITH THE PART PART #.</small>		HARMAN	
TOLERANCES UNLESS OTHERWISE SPECIFIED FINISHED DIMS.: 0.100 ± 0.010 MATERIAL DIMS.: 0.250 ± 0.020 HOLE DIMS.: 0.100 ± 0.010 HOLE DIA.: 0.100 ± 0.010 HOLE DIA.: 0.100 ± 0.010		TITLE: PCB_ASY_PRX800W_INPUT_FULL_AV1	
DESIGNED BY: MCKINSEY, TLM	DATE: 05-20-18	ARY NO.:	REV. C
CHECKED BY: MCKINSEY, TLM	DATE: 05-20-18	SIZE: ANY DIMS. IN INCH	
DATE: 05-20-18	SCALE: 1:1	DO NOT SCALE DRAWING SHEET 1 OF 3	

COMPONENT MAP

BOTTOMSIDE
SCALE: 2:1



REV. NO.	5065768-03	REV. C
DATE	REV. NO. / REV.	
SCALE	5:1	DO NOT SCALE DIMENSIONS
		SHEET 2 OF 4



<p>ROHS RESTRICTION OF HAZARDOUS SUBSTANCES ALL MATERIALS USED IN THIS PART MUST BE ROHS COMPLIANT. SUPPLIER SHALL PROVIDE A CERTIFICATE OF ROHS COMPLIANCE WITH THE FIRST ARTICLE.</p>		<p>TOLERANCES UNLESS OTHERWISE SPECIFIED FINISHED DRILL: ± 0.003 (0.0762) REGISTRATION: ± 0.002 (0.0762) MINIMUM ANNUAL RING: ± 0.002 (0.0508) .XX = ± 0.01 (0.254) .XXX = ± 0.005 (0.127)</p>		<p>HARMAN</p>	
<p>ALL DIMENSIONS ARE IN INCHES (MM) ALL DIMENSIONS APPLY AFTER FINISH</p>		<p>DATE: 03-11-16</p>		<p>TITLE: PCB, ASY, PRX_8xx_LINE_FILTER_AV1</p>	
<p>DESIGNED BY: WALTER, KEN</p>		<p>DATE: 03-11-16</p>		<p>ASY NO.: 5071362-02</p>	
<p>ENGINEER: BIRD, ERNIE</p>		<p>DATE: 03-11-16</p>		<p>SCALE: 1:1</p>	
<p>DO NOT SCALE DRAWING</p>		<p>SHEET 1 OF 2</p>		<p>REV B</p>	

1	Component Map - Top Side
2	Component Map - Bottom Side
3	Title Page
4	INPUT
5	OUTPUT
6	SHARC
7	LED/SWITCHES
8	MICRO/WIFI
9	PWR SUPPLY/CONNECTORS/FAN

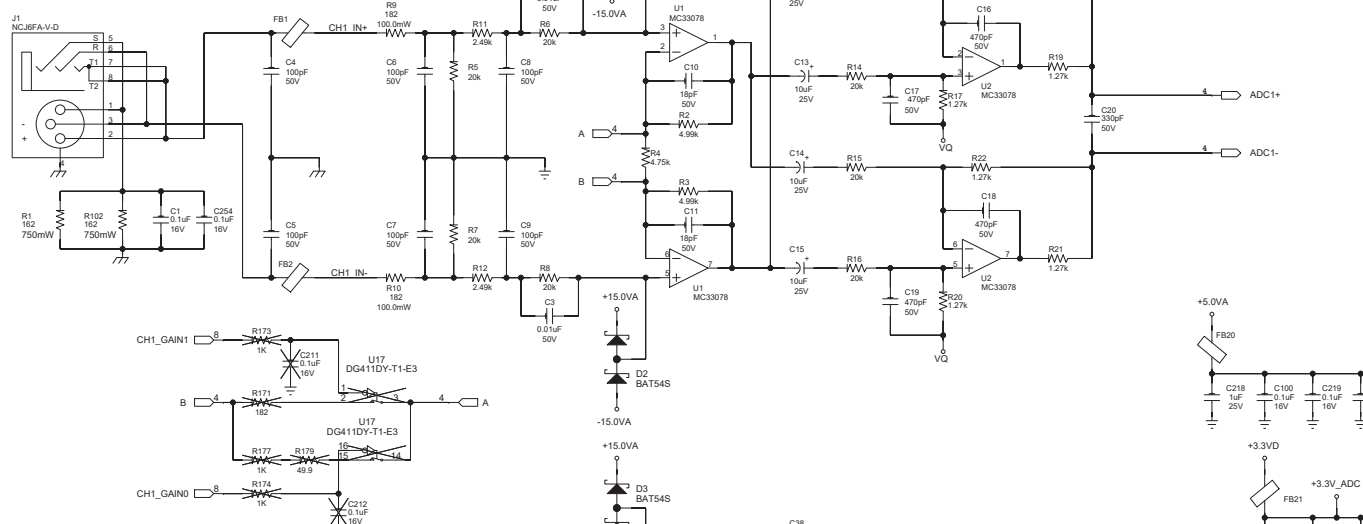
NOTE:
UNLESS OTHERWISE SPECIFIED:
1. ALL RESISTORS ARE IN OHMS, 1% AND 0.063W
2. ALL CAPACITORS ARE IN MICROFARADS

TITLE PAGE

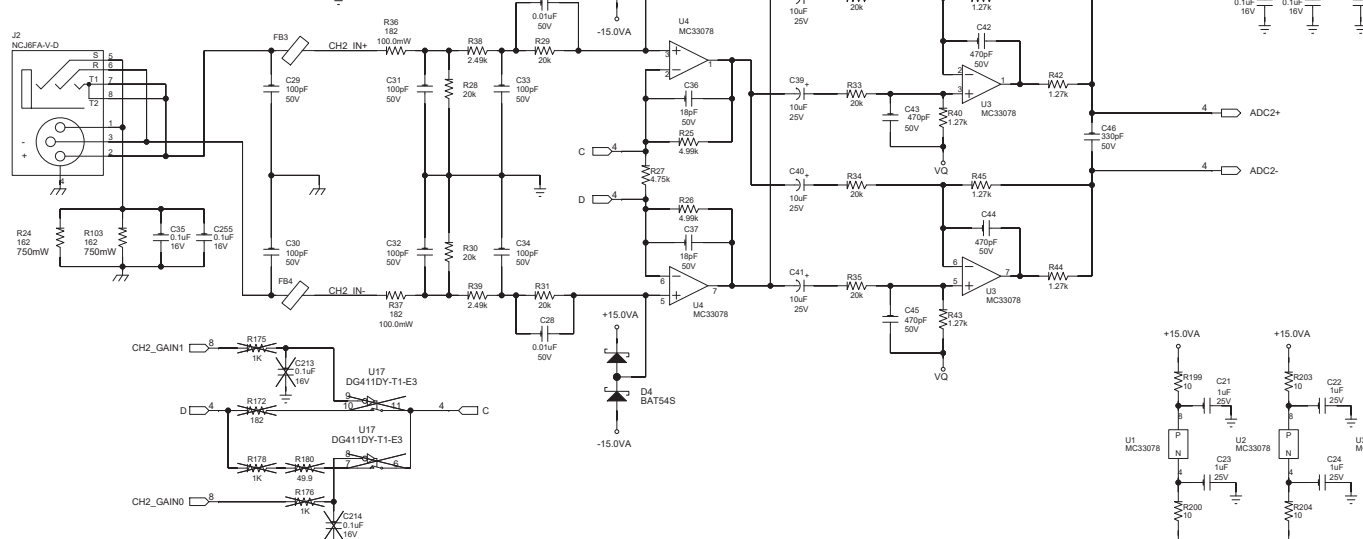
DRAWN BY:		DATE:	
C	5065768-03		02/03/2016:14:52
SCALE:	5065768-03	5065759-02	3 of 9

XLR INPUT STAGE

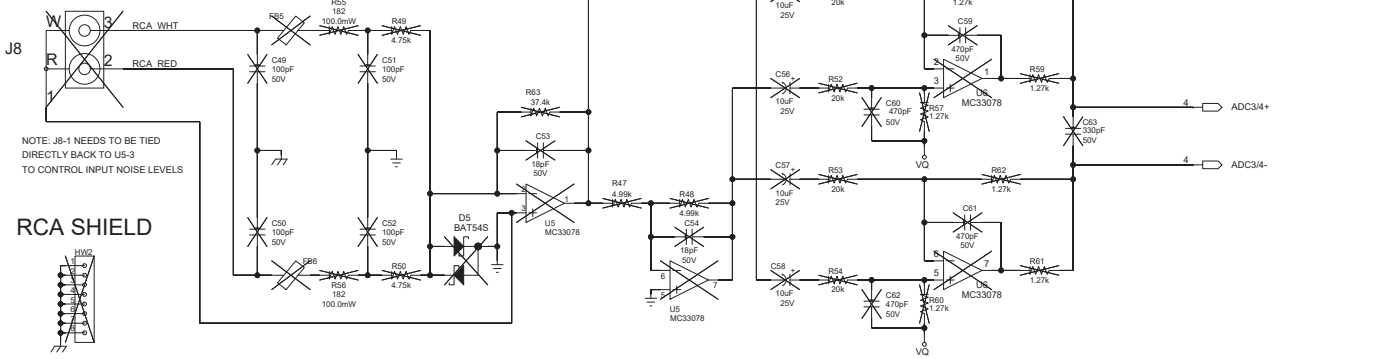
CH1



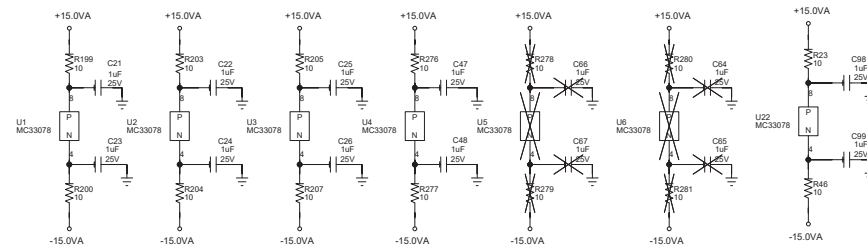
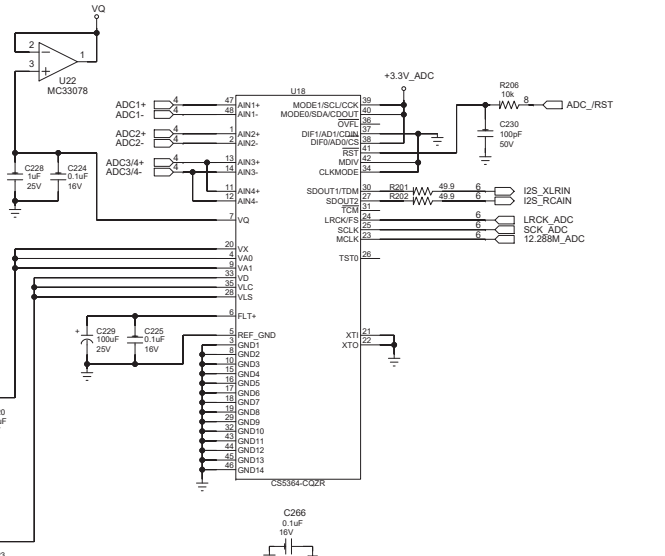
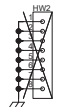
CH2



RCA INPUT STAGE



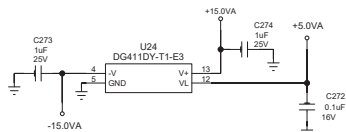
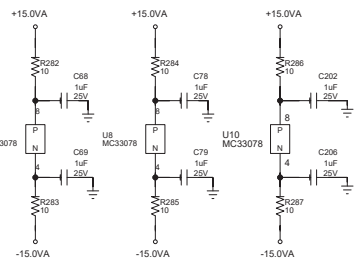
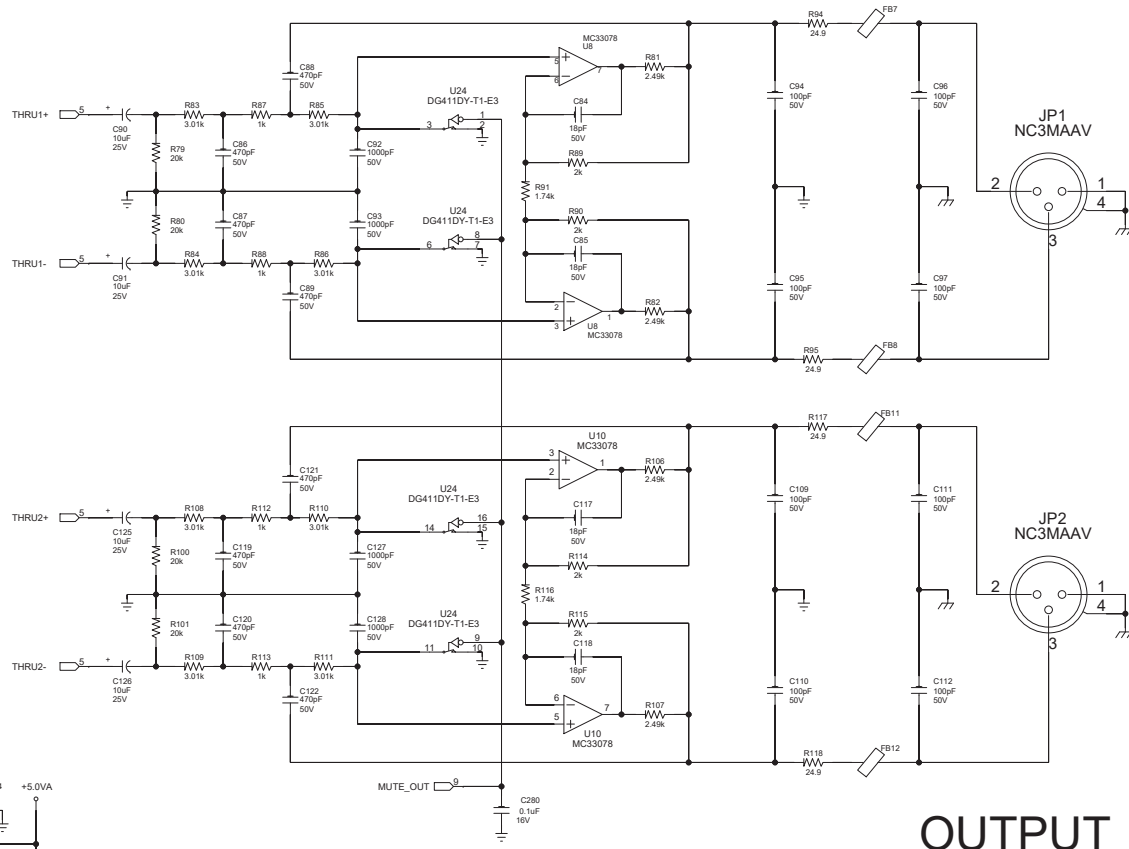
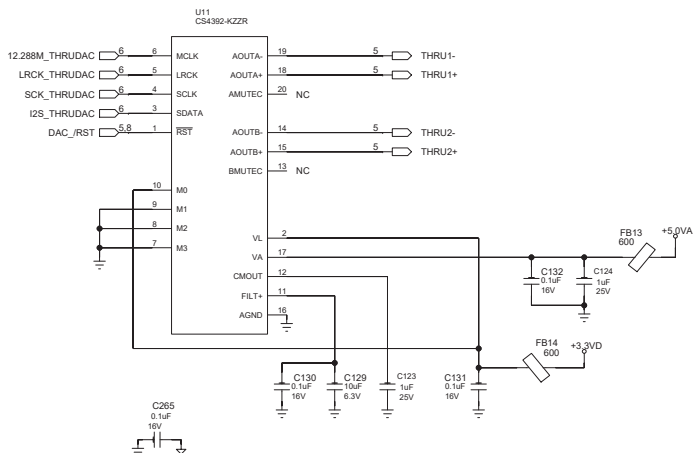
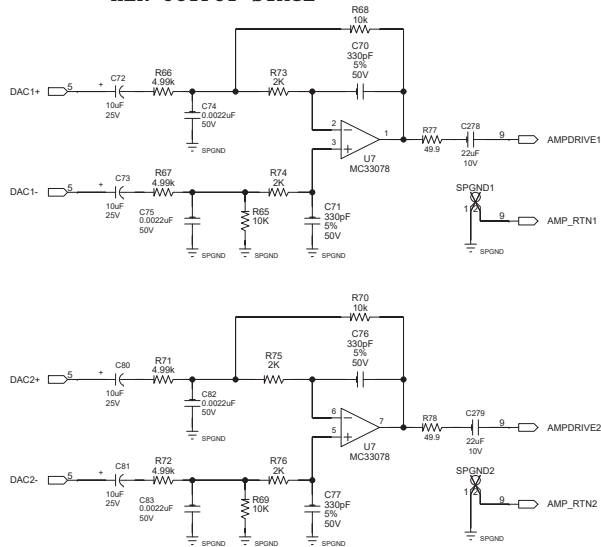
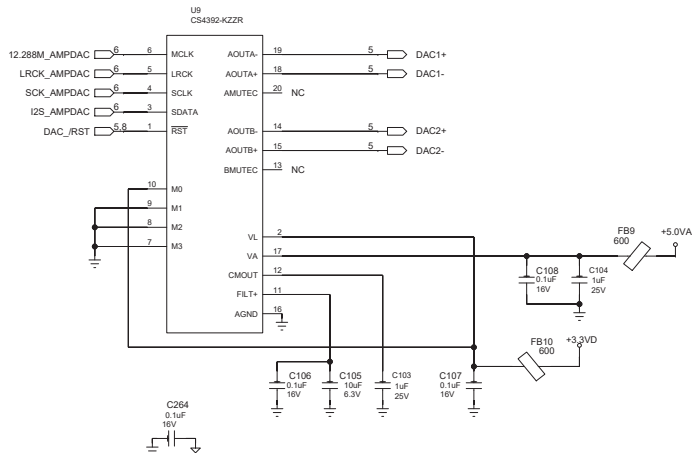
RCA SHIELD



INPUT

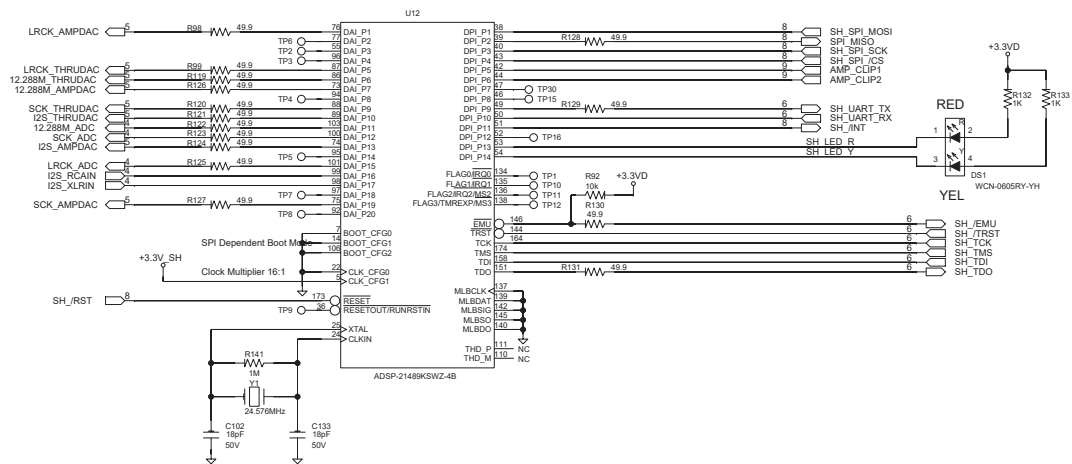
REVISED NAME		REVISION	
Input		09/06/2016:15:22	
ITEM	QTY	REV	REV
C			
5065768-03			
SCALE	REV PART NO.	REV PART NO.	SHEET
NONE	5065768-03	5065759-02	4 of 9

XLR OUTPUT STAGE

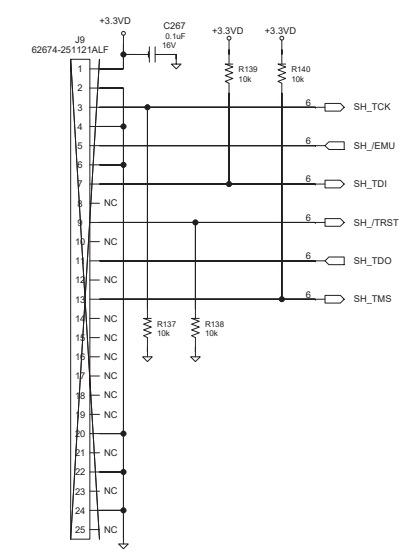


OUTPUT

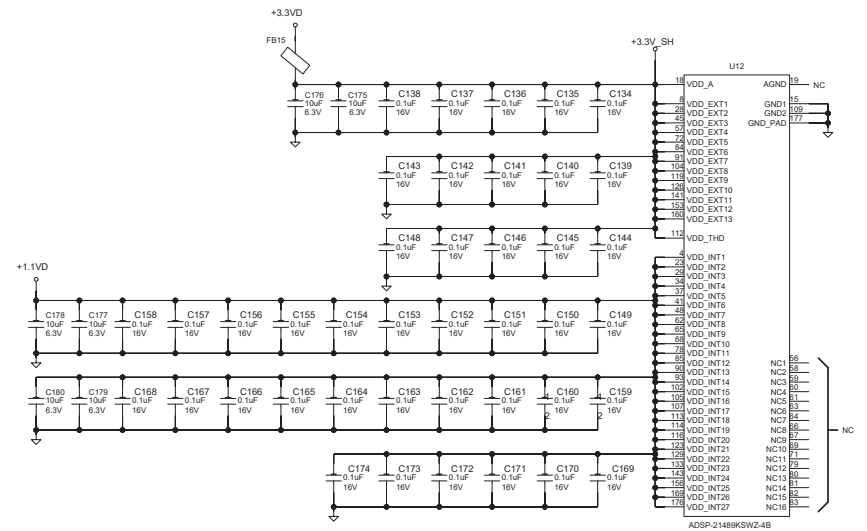
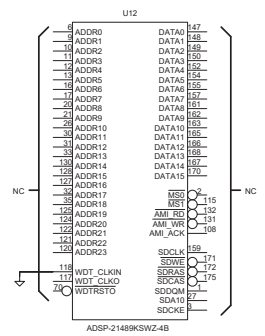
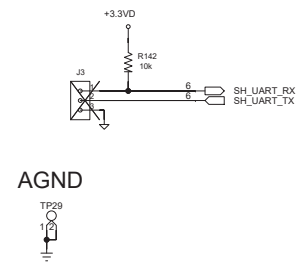
REVISION		REVISION	
REV	DESCRIPTION	DATE	BY
C	5065768-03	09/06/2016:15:23	
SCALE	5065768-03	5065759-02	5 of 9



SHARC JTAG DEBUG

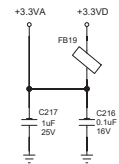
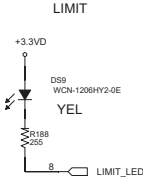
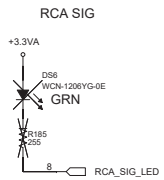
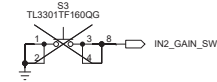
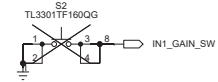
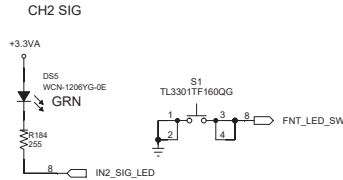
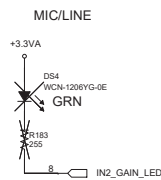
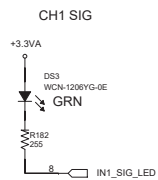
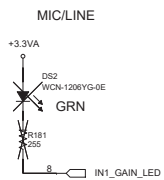


SHARC DEBUG HEADER

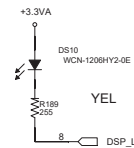


SHARC

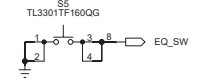
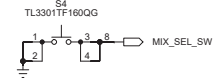
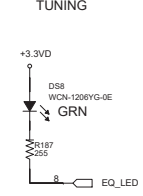
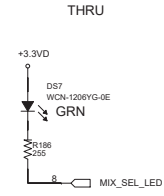
REVISION		REVISION	
REV	DATE	REV	DATE
C	09/06/2016:15:24		
PART NO. 5065768-03		REV C	
SCALE	5065768-03	REV	5065759-02
PAGE 6 of 9		16	



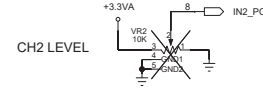
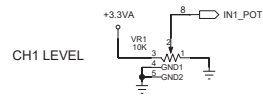
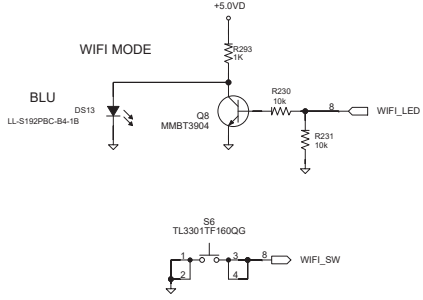
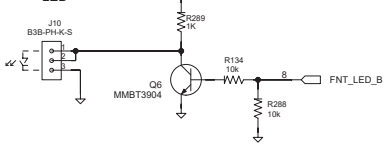
CUSTOM EQ



POWER BLU



SPKR FNT LED



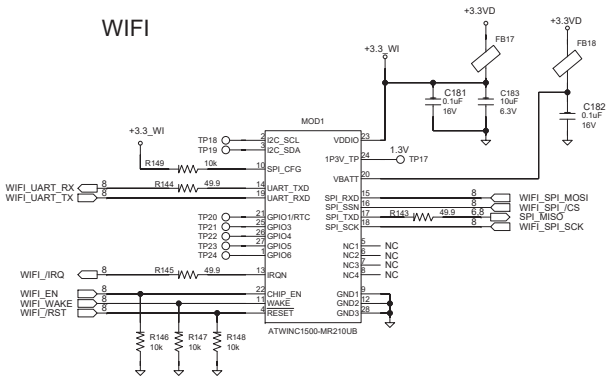
THRU BUTTON/LED FUNCTION		
MODEL	OFF	ON
810, 812, 815	STANDARD	50/50
825, 835	MIX	MIX
815XLF, 818XLF	FLAT	HI-PASS

TUNING BUTTON/LED FUNCTION		
MODEL	OFF	ON
810, 825, 835	NORMAL	BOOST
812, 815	MAIN	MONITOR
815XLF, 818XLF	NON-INVERTED	INVERTED

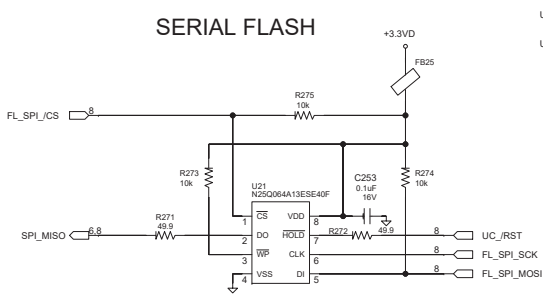
LED/SWITCHES

SHEET NAME		REVISION	
C		09/06/2016:15:26	
5065768-03	5065768-03		
5065768-03	5065759-02	7 of 9	17

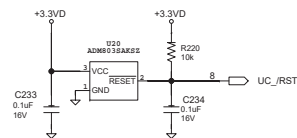
WIFI



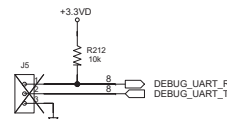
SERIAL FLASH



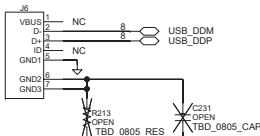
VOLT SUPP



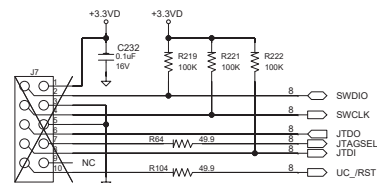
MICRO DEBUG



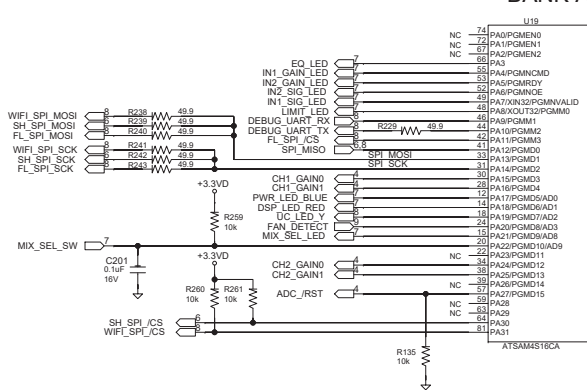
USB



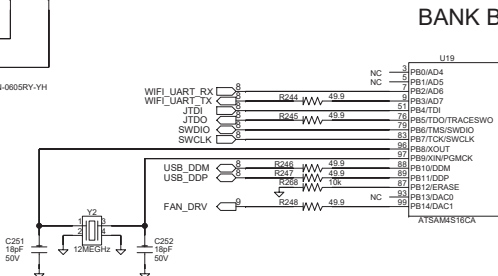
JTAG DEBUG



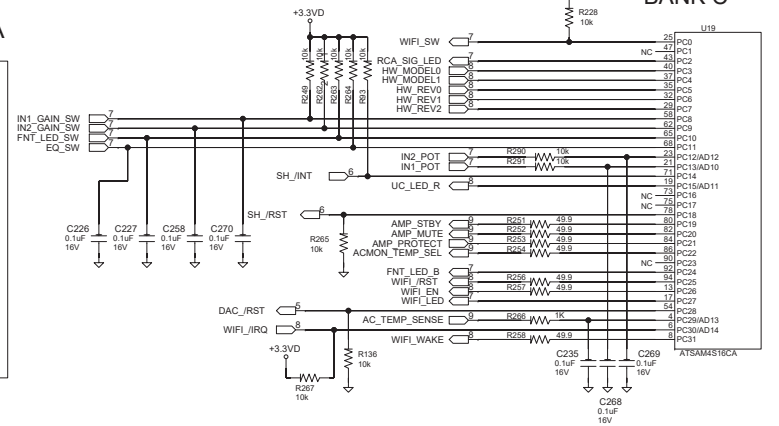
BANK A



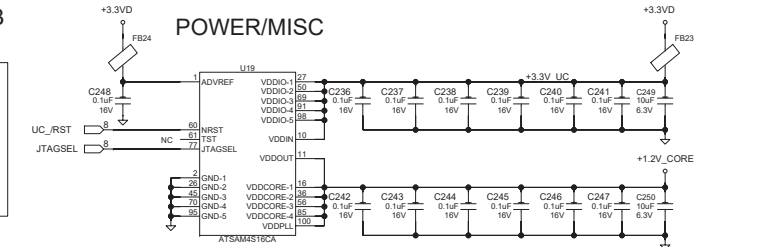
BANK B



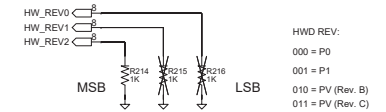
MICRO



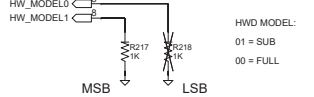
POWER/MISC



HARDWARE REVISION ID



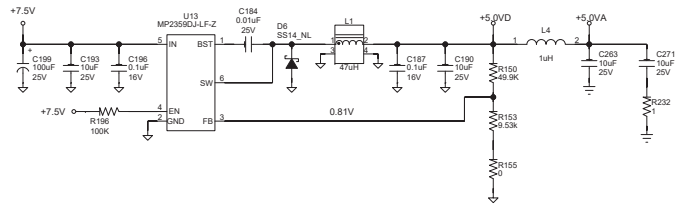
HARDWARE MODEL ID



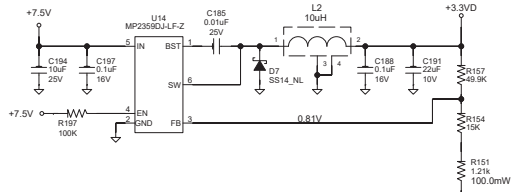
MICRO/WIFI

REVISED PART NO.		REVISION	
C		10/06/2016:10:31	
SCALE	NONE	REV	C
REV	5065768-03	REV	5065768-03
SCALE	5065768-03	REV	5065768-03
REV	5065768-03	REV	5065768-03
SCALE	5065768-03	REV	5065768-03
REV	5065768-03	REV	5065768-03
SCALE	5065768-03	REV	5065768-03
REV	5065768-03	REV	5065768-03

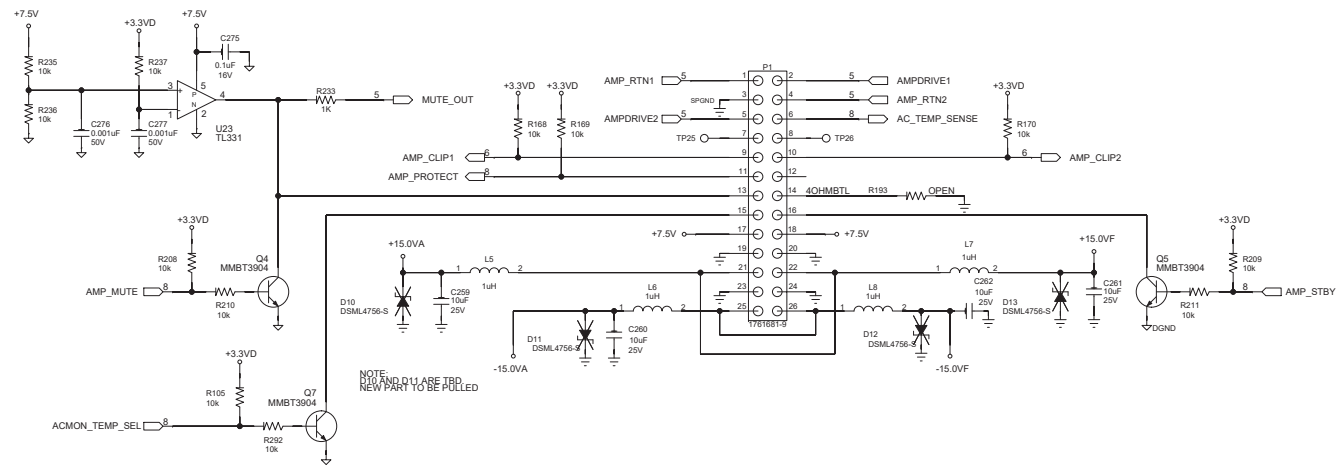
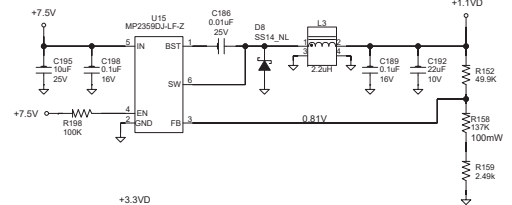
+5VD REGULATOR



+3.3V REGULATOR

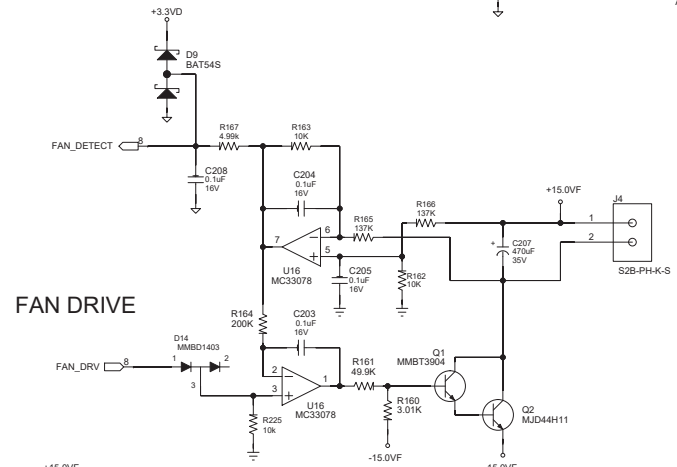
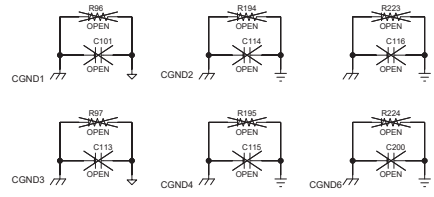


+1.1V REGULATOR



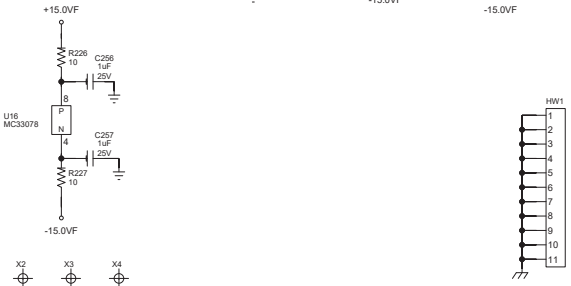
NOTE: D10 AND D11 ARE TBD
NEW PART TO BE POLLED

CHASSIS MOUNTING HOLES

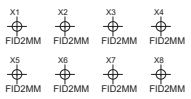


FAN DRIVE

FAN

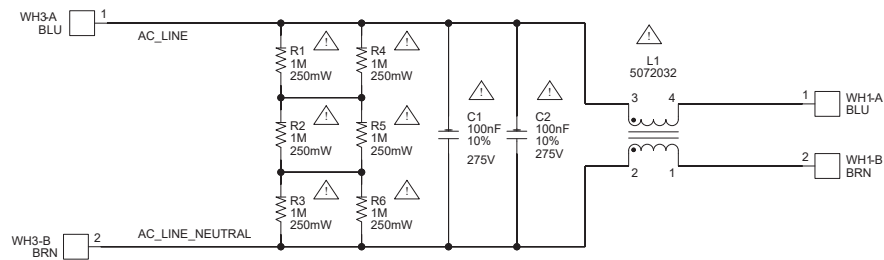


XLR SHIELD



PWR SUPPLY/CONNECTORS/FAN

REVISED PART NO.		REVISION	
C	5065768-03	10/06/2016:09:28	C
SCALE	NONE	REV	9 of 19



**⚠ CRITICAL TO SAFETY COMPONENTS.
REPLACE WITH SAME COMPONENT ONLY!**

PCB1	5071360-01	PCB,RAW,PRX_8xx_LINE_FILTER,BDB	
SHEET NAME		1	REVISE DDATE
			25/05/2016:09:18
SIZE	SCH PART NO.	REV	
C		B	
		5071362-02	
SCALE	ASY PART NO.	PCB PART NO.	SHEET
NONE	5071362-02	5071360-01	2 OF 2

4

3

2

1

Refer to the corresponding Service Bill of Materials (SBOM) to order parts stocked by Harman.

Bill of Materials - System		
Ref ID	Description	Qty
1	PANEL, TOP, PRX815XLF	1
2	PANEL, BOTTOM, PRX815XLF	1
3	PANEL, SIDE, LEFT, PRX815XLF	1
4	PANEL, REAR, PRX815XLF	1
5	PANEL, SIDE, RIGHT, PRX815XLF	1
6	PANEL, BAFFLE, PRX815XLF	1
7	GRILL SUPPORT SIDE, (NEW), PRX815XLFW	2
8	GRILL SUPPORT, PRX815	2
9	T-NUT, 1/4-20 X 5/16, 4 PRONG, CLR ZINC	3
10	T-NUT,10-32	8
11	T-NUT 8-32X1 1/32	16
12	AMPLIFIER, PRX 815XLFW/818XLFW	1
14	SCR, 10-32 X 3/4",FLT,PH,BLK ZINC,LCS	10
15	HANDLE ASSY, PRX700	2
16	FSTNR,MSCR,8-32, HANDLE, VXP15	16
17	FOOT, SRX	4
18	SCR,10 X 3/4,PAN,PH,PB,BLK ZINC,LCS	4
19	LED PCB, PRX800	1
20	SCR,6X3/4",PAN,PH,PB,BLK	2
21	GRILLE, PRX815S	1
22	SCR, 6 X 3/4,OV,PH,PTCL,BLK ZC,LCS	10
23	LOGO SRX800, EON615	1
24	M/I, 2275H	1
25	GASKET, REAR 15"	1
26	SCR,10-32X1-1/4,FIL,PH,BK	8
27	GASKET, POLE CUP, EON518S	1
28	Pole mount, M20 3 hole pattern, various	1
29	SCR,1/4-20 X 1 1/4,FLT,PH,UNC,BLK ZNC,L	3
30	HARNESS ASSY, PRX715XLF	1
35	CORD, AC, LINE, 120V, EON	1
36	PORT SHELF, PRX815XLFW	1
37	GASKET, HANDLE VTX-V25	2
38	T-NUT,10-32,SPECIAL,PRO	10
50	ANTENNA, PRX800	1
51	CABLE CLAMP,0.38 I,D	2
52	SCR,8 X 1/2,PAN,PH,PB,BLK ZINC,LCS	2

Bill of Materials - Amplifier		
Ref ID	Description	Qty
1	ENCL,CHAS,PRX800W EM	1
2	ISOLATING SHEET, PRX700	1
3	GAP PAD 1, PRX700	2
4	GAP PAD 2, PRX700	1
5	GAP PAD 3, PRX700	1
6	PSU / AMPLIFIER BOARD ASSEMBLY, PRX700 (A2710515B01A)	1
7	26PIN RIBBON CABLE, PRX700	1
8	CBL,WA,RF,PAS,200mm,50ohm,RP-SMA,MHF	1
9	GASKET, PCB PASS THROUGH	1
10	PASS THRU PCB ASSEMBLY- 2 WAY, PRX700	1
13	MECHASY,PRX 815XLFW/818XLFW,REAR PNL	1
1	ENCL,PNL,BACK,PRX 815XLFW/818XLFW	1
2	AC INLET SOCKET, PRX700	1
3	THRMMGT,FAN,50X50X15,24V,11.6 CFM	1
4	GROUND WIRE, PRX700	1
5	PCB,ASY,PRX_8xx_LINE_FILTER,AV1	1
R1-R6	RES,1M00,1.0%,125mW,TN,1206,CSA TESTED	6
C1-C2	CAP,100n,10%,275V,FILM,PP,RDL	2
WH1	CBL,WA,18AWG,BRN/BLU,PRX800W	1
L1	IDCTR,CHOKE,COMMON MODE,T25/15/13-R10K	1
WH3	CBL,WA,IEC,PRX800W	1
6	PCB,ASY,PRX800W_INPUT_SUB,AV2	1
U9,U11	IC, DAC 2CH 24BIT 192KHZ CS4392 TSSOP20	2
D1-D4,D9	DIO,SCHOTTKY,BAT54S,30V,200mA,SOT23	5
C190,C193-C195,C259-C263,C271	CAP,10u,10%,25V,CER,X7R,1210	10
C105,C129,C175-C180,C183,C249-C250	CAP,10u,20%,6.3V,CER,X5R,0805	11
L2	IND, 10UH 1.8A 5.2X5.2	1
C191-C192,C278-C279	CAP,22u0,20%,10V,CER,X5R,1206	4
S1,S4-S6	SW, 1P1T PB 250V 50MA SM VRT	4
C21-C26,C47-C48,C68-C69,C78-C79,C98-C99,C103-C104,C123-C124,C202,C206,C217-C218,C223,C228,C256-C257,C273-C274	CAP,1.0u,10%,25V,CER,X5R,0603	28
C184-C186	CAP,10n0,5%,25V,CER,X7R,0402	3
U23	IC, COMP LOBIAS TL3311 SOT-23-5	1
R9-R10,R36-R37	RES,182R,1%,63mW,THKF,0603	4
R154	RES,15k0,1%,100mW,THKF,0603	1
R151,R156	RES,1k21,1%,100mW,THKF,0603	2
C92-C93,C127-C128	CAP,1n0,5%,50V,CER,C0G,0603	4
D14	DIO,GP,MMD4148SE,100V,200mA,SOT23	1
U13-U15	IC,VREG,MP2359,ADJ,SW,1.2A,SOT23-6	3
D6-D8	DIO,SCHOTTKY,SS14,1.0A,40V,DO-214AC/SMA	3
C74-C75,C82-C83	CAP,2n2,5%,50V,CER,C0G,0603	4
U12	IC,DSP,ADSP-21489KSWZ-4B,400MHz,176,LQFP	1
Q2	XSTR,BJT,NPN,80V,8A,D-PAK	1

R11-R12,R38-R39,R81-R82,R106-R107,R159	RES,2k49,1%,63mW,THKF,0402	9
FB1-FB4,FB7-FB15,FB17-FB21,FB23-FB25	IDCTR,FBD,600R,100MHZ,1300mA, 0603	21
L4-L8	IDCTR,1U,1A,3.2X2.5X2.0,SM	5
DS11,DS13	OPTO,LED,BLU,473nm,CLR 140mcd,SMD0603	2
DS3,DS5,DS7-DS8	OPTO,LED,GRN,565nm,CLR,30mcd,SM1206	4
DS9-DS10	OPTO,LED,YEL,589nm,DIF,8mcd,SM1206	2
C1,C35,C100,C106-C108,C130-C132,C134-C174,C181-C182,C187-C189,C196-C198,C201,C203-C205,C208,C216,C219-C222,C224-C227,C232-C248,C253-C255,C258,C264-C270,C272,C275,C280	CAP,100n,10%,16V,CER,X7R,0402	103
C199,C229	CAP,100u,20%,25V,EL,85C,6.3x7.7,SM	2
C12-C15,C38-C41,C72-C73,C80-C81,C90-C91,C125-C126	CAP,10u0,20%,25V,EL,85C,4x5.4,SM	16
R65,R68-R70,R92-R93,R105,R134-R140,R142,R146-R149,R162-R163,R168-R170,R190-R191,R206,R208-R212,R220,R225,R228,R230-R231,R235-R237,R249,R259-R265,R267-R268,R273-R275,R288,R290-R292	RES,10k0,1%,63mW,THKF,0402	57
R87-R88,R112-R113,R132-R133,R192,R214,R217,R233,R266,R269-R270,R289,R293	RES,1k00,1%,63mW,THKF,0402	15
C2-C3,C27-C28	CAP,10n0,5%,50V,CER,C0G,0805	4
R64,R98-R99,R104,R119-R131,R143-R145,R201-R202,R229,R238-R248,R251-R254,R256-R258,R271-R272	RES,49R9,1%,63mW,THKF,0201	43
R73-R76,R89-R90,R114-R115	RES,2k00,1%,63mW,THKF,0402	8
JP1-JP2	CON,XLR,M,3P,PLASTIC,TH,VERT	2
R232	RES,1R00,1%,100mW,THKF,0603	1
R155	RES,0R00,+OR05,63mW,THKF,0402	1
R77-R78	RES,49R9,1%,63mW,THKF,0402	2
C276-C277	CAP,1n0,10%,50V,CER,X7R,0402	2
U21	IC,MEM,FLASH,SPI,64Mb,3.3v,SO8W,DANTE	1
Y2	XTLO,XTAL,12.000MHz,18pF,SMD	1
HW1	HDW,SHLD,SRX,4 XLRS	1
C10-C11,C36-C37,C84-C85,C102,C117-C118,C133,C251-C252	CAP,18p0,5%,50V,CER,C0G,0603	12
U24	IC,DG411,QUAD,CMOS,ANALOG SWITCH	1
Y1	XTLO,XTAL,24M576,18p,MTL,LP,SM,TA	1
R182,R184,R186-R189	RES,255R,1%,63MW,THKF,0402	6
R17-R22,R40-R45	RES,1k27,1%,63MW,THKF,0402	12
DS1,DS12	OPTO,LED,RED/YEL,1.6X1.5X0.55MM,0605	2
U20	IC,LIN,SPRVSOR RESET,803,2.93V,SC70	1
R153	RES,9k53,1%,63mW,THKF,0402	1
MOD1	MDL,ELEC,WINC1510-MR210U,WIFI,8Mb	1
U18	IC,CONV,ADC,CS5364,4CH,24BIT,192kHz,114dB,LQFP48	1

J4	CON,HDR,1X2,2MM,RA,TH,ML	1
J10	CON,HDR,VERT,2MM,3POS,TH	1
P1	CON,HDR,2X13,SHRD,0.1",TH,VERT,ML	1
VR1	RES,RTRY,10k0,B,VERT,TH	1
R1,R24,R102-R103	RES,162R,1%,750mW,THKF,2010	4
L3	IDCTR,FBD,2u2,100kHz,3.2A,5.2x5.2,SM	1
L1	IDCTR,FBD,47u0,100kHz,0.7A,5.2x5.2,SM	1
R158,R165-R166	RES,137k,1%,100mW,THKF,0603	3
U19	IC,MIPRCS,SAM4S16CA,1MB FLASH,LQFP100	1
J1-J2	CON,XLR,VERT,AuCoAg,FEM,COMBO,DISASY	2
J6	CON,USB,MICRO,I/O,TYPE B,VERT,RCPT,SM	1
R196-R198,R219,R221-R222	RES,100k,1%,63mW,THKF,0402	6
R141	RES,1M00,1%,63mW,THKF,0402	1
R23,R46,R199-R200,R203-R205,R207,R226-R227,R276-R277,R282-R287	RES,10R0,1%,63mW,THKF,0402	18
R91,R116	RES,1k74,1%,63mW,THKF,0603	2
R5-R8,R13-R16,R28-R35,R79-R80,R100-R101	RES,20k0,1%,63mW,THKF,0402	20
R164	RES,200k,1%,63mW,THKF,0402	1
R94-R95,R117-R118	RES,24R9,1%,63mW,THKF,0402	4
R83-R86,R108-R111,R160	RES,3k01,1%,63mW,THKF,0402	9
R4,R27	RES,4k75,1%,63mW,THKF,0402	2
R2-R3,R25-R26,R66-R67,R71-R72,R167	RES,4k99,1%,63mW,THKF,0402	9
R150,R152,R157,R161	RES,49k9,1%,63mW,THKF,0402	4
C4-C9,C29-C34,C94-C97,C109-C112,C230	CAP,100p,5%,50V,CER,C0G,0402	21
C20,C46,C70-C71,C76-C77	CAP,330p,5%,50V,CER,C0G,0402	6
C16-C19,C42-C45,C86-C89,C119-C122	CAP,470p,5%,50V,CER,C0G,0402	16
C207	CAP,470UF 35V 20% ELEC RAD	1
Q1,Q3-Q8	XSTR,N-CH,60V 0.2A,MMBT3904,SOT-23	7
U1-U4,U7-U8,U10,U16,U22	IC,AMPL,33078,DUAL_LOW_NOISE,SO8	9
7	HDW,SWCAP,VERT,RND,BLACK,20MM HT,2.4MM SQ MT	4
8	HDW,LTPP,SINGLE SMT LED,DOME,26MM HT	8
9	KNOB, MIXER EON206P	1
10	FSTNR,MSCR,PH-PNH,6-32x3/8,#2,WSHR,BLUZN	9
11	FSTNR,MSCR,TORX,PNH,PLASTITE,4-20X.375	8
12	FSTNR,MSCR,FLH,PH,M3,12mm,STL,BLKZN	2
13	FSTNR,NUT,M3,K-LCK,STL,ZN	2
14	NUT HEX 6-32 KEPS ZINC	2
15	RVT, .315X4.7X.09 SILRUB FAN	4
16	CBL,WA,16AWG,1.5",BLUE	1
17	CBL,WA,16AWG,1.5",BRN	1
18	LBL,PRNT,FCC ID,PRX800 WIFI	1
19	HDW,INSUL,TAPE,PRX800 LTPP	1
14	FSTNR,MSCR,PH-PNH,M3,8mm,BLKZN	20
15	FSTNR,MSCR,POZI,M4,SPR WSHR,10mm,BLUZN	4
16	FSTNR,MSCR,PH-PNH,6-32x1/4,EX SEMS,Zn	1
17	AMP GASKET, PRX700	2