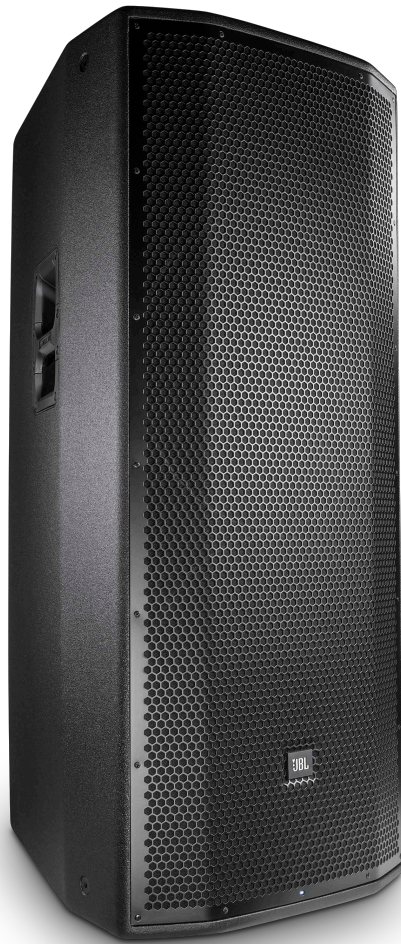




# Service Manual

## PRX825

Dual 15" Two-Way Full-Range Main System with Wi-Fi





# Table of Contents

---

Datasheets and Specifications

Exploded View Diagrams

Board Layouts

Network Assembly Diagrams

Schematics

Bill of Materials



# PRX825

## Dual 15" Two-Way Powered Loudspeaker



### HIGHLIGHTS ■

#### Wi-Fi Control

Wirelessly set up, tune, and run your system via the free PRX Connect app, available for Android and iOS

#### 1500-Watts of Power

Class D power meets JBL's patented Differential Drive technology for maximum efficiency.

#### Roadworthy

Stronger build quality, Duraflex finish, and proven mechanical design

The PRX825 two-way, dual 15" portable powered PA speaker is a member of the most advanced loudspeaker family in its class. Wi-Fi technology and sophisticated DSP give you complete control over the tuning and performance of your system—from anywhere in the venue—via the free PRX Connect app. An efficient 1500-watt class-D amplifier and patented JBL Differential Drive technology provide best-in-class power handling while greatly reducing system weight. And the rugged all-wood cabinets feature a redesigned input panel and universal power supply for easy, reliable operation at gigs worldwide. Thoughtfully designed from the ground up to deliver legendary JBL sound, PRX800 represents the next generation in smart live sound reinforcement.

### KEY MESSAGES ■

#### WI-FI CONTROL

PRX800 Series is the first PA system in its class to feature complete wireless control via Wi-Fi, giving you a powerful new way to set up, configure and optimize the performance of your live sound system. With a free custom-designed app, you can set up and run your system in any room with ease. Whether you're working in a difficult acoustic environment or making sure you have the headroom to drive your band harder, you have the tools at your fingertips to make your system sound perfect every single time.

#### 1500 WATTS OF POWER

With integrated 1500-watt Class-D power amplifiers, PRX800 is the most powerful, efficient system in its class. Patented JBL Differential Drive™ woofer technology reduces magnet mass while increasing power handling. Both of these features work together to make PRX800 a remarkably lightweight system capable of delivering clear, pristine audio at extraordinarily high volumes.

#### ROADWORTHY AND TOUR TESTED

We designed each aspect of the PRX800 series to perform flawlessly—even on the toughest tours. PRX800 speakers utilize the finest construction materials available, including durable wooden cabinets, tour-proven DuraFlex™ finish, and dent-resistant 16-gauge grilles. And comprehensive mechanical, electronic, and acoustic testing—including JBL's famous 100-hour power test—ensures reliability in any real-world environment.

### IN THE BOX ■

PRX825  
IEC Cable  
User's Guide

# PRX825



## Dual 15" Two-Way Powered Loudspeaker

### APPLICATIONS ■

#### APPLICATION EXAMPLE 1

Bands, DJs, and other performers who need a powerful, accurate, versatile PA system.

#### APPLICATION EXAMPLE 2

Permanent PA in small clubs, bars, and other performance venues.

#### APPLICATION EXAMPLE 3

Permanent PA for houses of worship and schools.

### FEATURES ■

- Built in Wi-Fi for wireless control of your system from anywhere in the venue
- Free PRX Connect mobile app provides wireless control over levels, parametric EQ, user presets, and up to 50ms of user delay to fine-tune your sound
- Class-leading 1500-watt amplifier delivers ample power to fill your venue
- JBL Differential Drive® transducers for higher SPL in a lightweight design
- Next-generation JBL neodymium compression drivers
- Crown-designed input panel with XLR, 1/4", and RCA inputs, plus XLR loop-through
- Durable construction with wooden cabinets, tour-proven DuraFlex™ finish, and dent-resistant cloth-backed 16-gauge grilles
- Universal power supply for worldwide compatibility
- Demanding 100-hour test regimen ensures reliable performance
- Intelligent variable-speed fan activates only when needed to reduce noise
- Scalable system that integrates with other JBL portable powered PAs

### TECHNICAL SPECIFICATIONS ■

<b>SYSTEM TYPE:</b>	Self Powered Dual 15", two-way, bass-reflex
<b>MAXIMUM SPL OUTPUT:</b>	138 dB peak
<b>FREQUENCY RANGE (-10 dB):</b>	Normal: 35 Hz – 20 kHz Boost: 34 Hz – 20 kHz
<b>FREQUENCY RESPONSE (±3 dB):</b>	Normal: 49 Hz – 17 kHz Boost: 46 Hz – 17 kHz
<b>POWER RATING:</b>	1500W (750W x 2)
<b>INPUT IMPEDANCE:</b>	20K Ohms (balanced), 10K Ohms (unbalanced)
<b>COVERAGE PATTERN:</b>	90° x 50° nominal
<b>NET WEIGHT:</b>	35.83 kg (79.0 lb)
<b>DIMENSIONS (H X W X D):</b>	1061 mm x 446 mm x 539 mm (41.8 in x 17.5 in x 21.2 in)

### ORDER SPECIFICATIONS ■

<b>BOX DIMS (L X W X H):</b>	21.6 in x 25.4 in x 43.9 in
<b>SHIPPING WEIGHT:</b>	94.4 lbs
<b>COUNTRY OF ORIGIN:</b>	MX

**UPC CODE:** 691991005404



JBL Professional 8500 Balboa Blvd. Northridge, CA 91329 USA

© 2017 HARMAN International Industries, Incorporated. All rights reserved.  
Features, specifications and appearance are subject to change without notice.

[www.jblpro.com](http://www.jblpro.com)

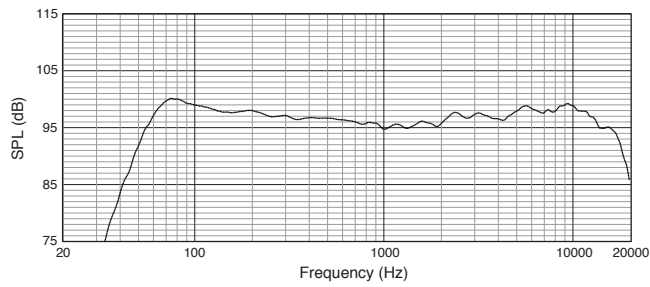
# PRX825

Dual 15" Two-Way Powered Loudspeaker

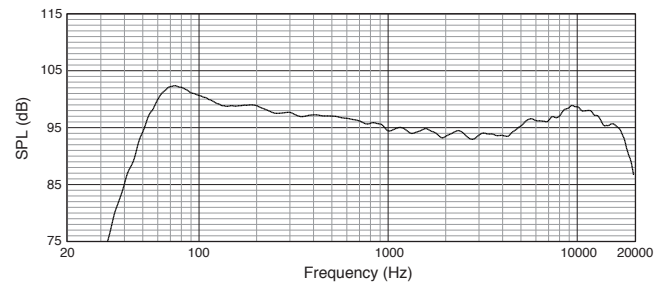


## FREQUENCY RESPONSE ■

FREQUENCY RESPONSE (NORMAL)



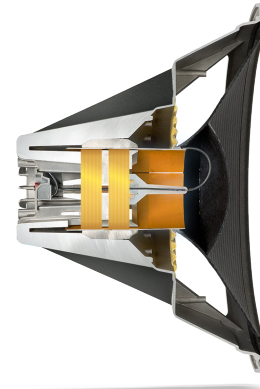
FREQUENCY RESPONSE (BOOST)



## PRX CONNECT APP ■



## DIFFERENTIAL DRIVE ■



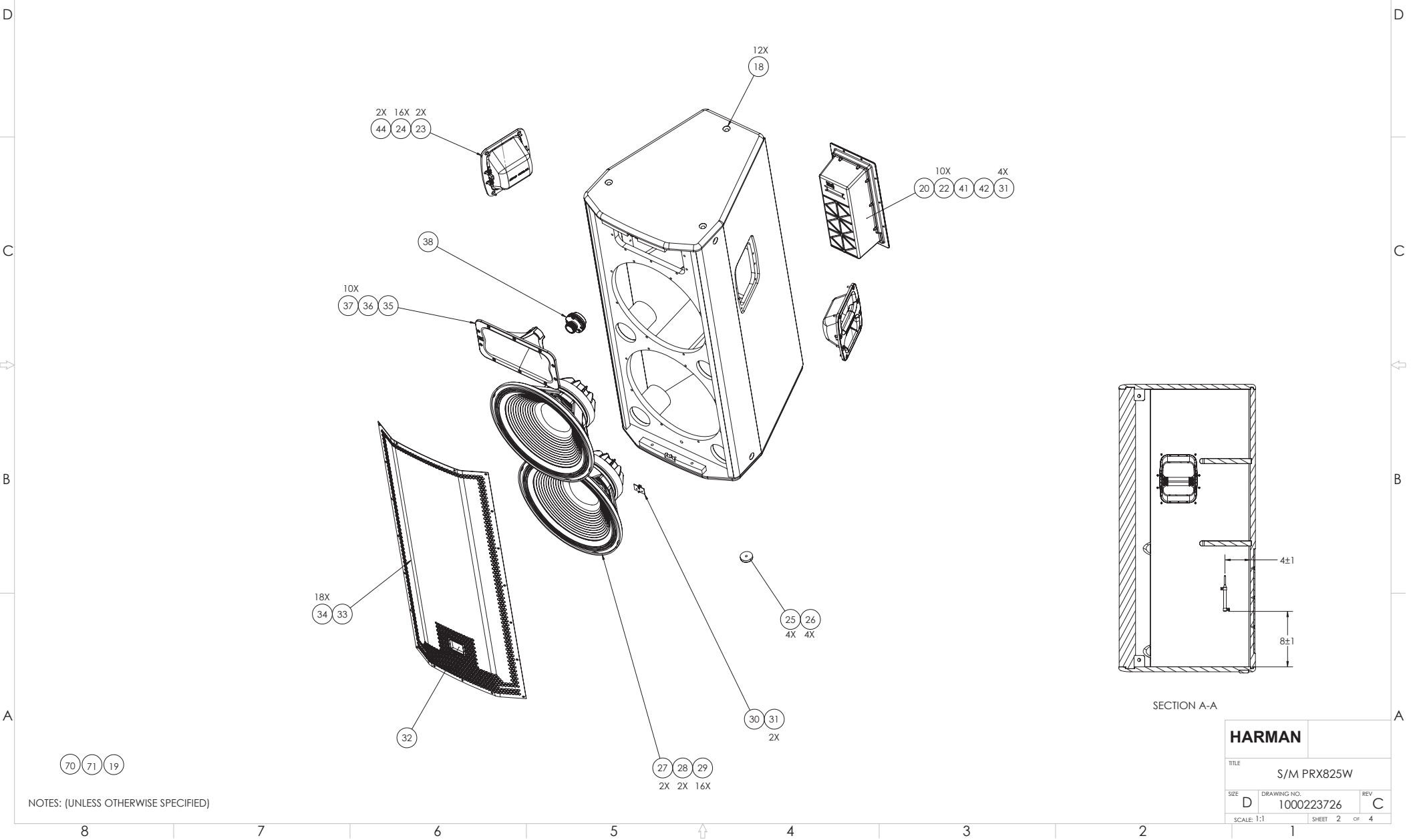
JBL Professional 8500 Balboa Blvd. Northridge, CA 91329 USA

© 2017 HARMAN International Industries, Incorporated. All rights reserved.  
Features, specifications and appearance are subject to change without notice.

[www.jblpro.com](http://www.jblpro.com)

THESE DRAWINGS AND SPECIFICATIONS ARE THE PROPERTY OF HARMAN. DO NOT DISCLOSE, REPRODUCE OR PUBLISH WITHOUT WRITTEN HARMAN APPROVAL.

REVISIONS		DRFT	CHK	DATE	APPR
CHG	LTR	DESCRIPTION			
SEE SHEET 1					



NOTES: (UNLESS OTHERWISE SPECIFIED)

<b>HARMAN</b>		
TITLE		
S/M PRX825W		
SIZE	DRAWING NO.	REV
D	1000223726	C
SCALE: 1:1		SHEET 2 OF 4

8

7

6

5

4

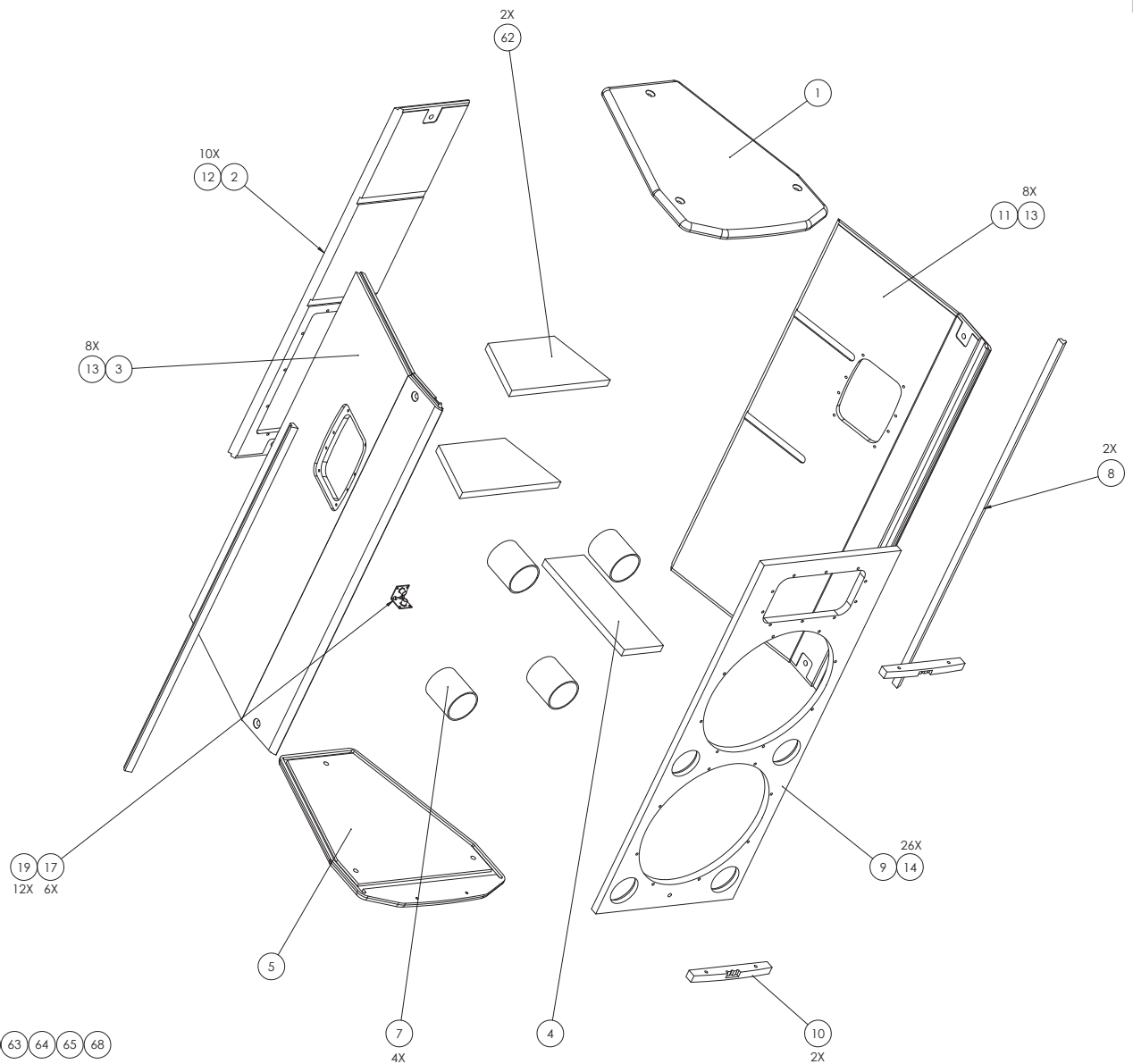
3

2

1

THESE DRAWINGS AND SPECIFICATIONS ARE THE PROPERTY OF HARMAN. DO NOT DISCLOSE, REPRODUCE OR PUBLISH WITHOUT WRITTEN HARMAN APPROVAL.

REVISIONS		DRFT	CHK	DATE	APPR
CHG	LTR				
SEE SHEET 1					



- 53
- 54
- 55
- 58
- 59
- 60
- 61
- 63
- 64
- 65
- 68

NOTES: (UNLESS OTHERWISE SPECIFIED)

<b>HARMAN</b>		
TITLE		S/M PRX825W
SIZE	DRAWING NO.	REV
D	1000223726	C
SCALE: 1:1		SHEET 3 OF 4

8

7

6

5

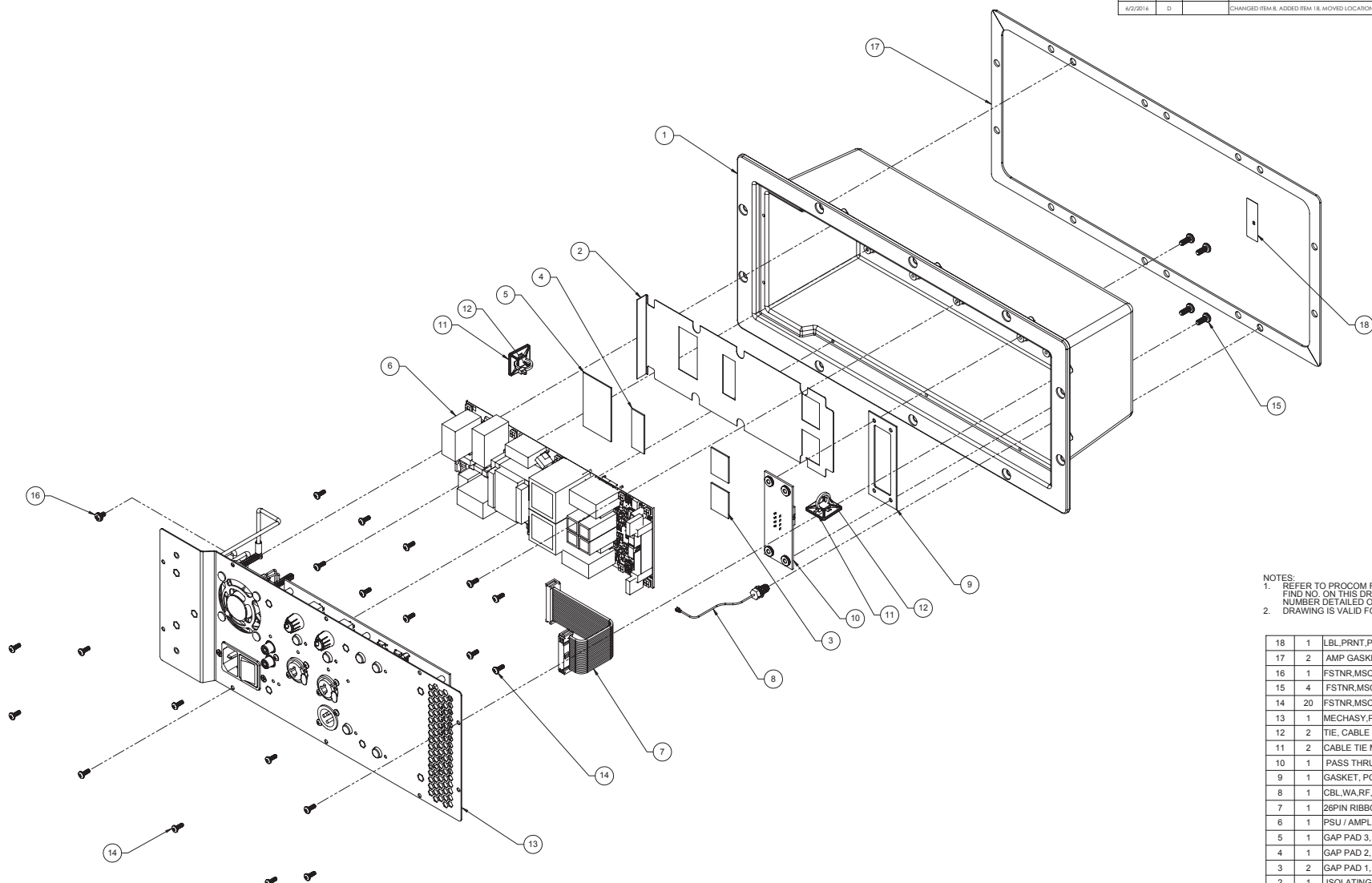
4

3

2

1

REVISION HISTORY					
DATE	REV.	PREVIOUS PART NO.	DESCRIPTION	ZONE	BY
12/11/2013	A		INITIAL RELEASE		RWS
2/24/2014	B		F1 CHANGES		RWS
3/17/2014	C		ADDED 4-32 SEMS, CABLE TIE, CABLE TIE MOUNT.		RWS
4/2/2014	D		CHANGED ITEM 8, ADDED ITEM 18, MOVED LOCATION OF ITEM 11		RWS



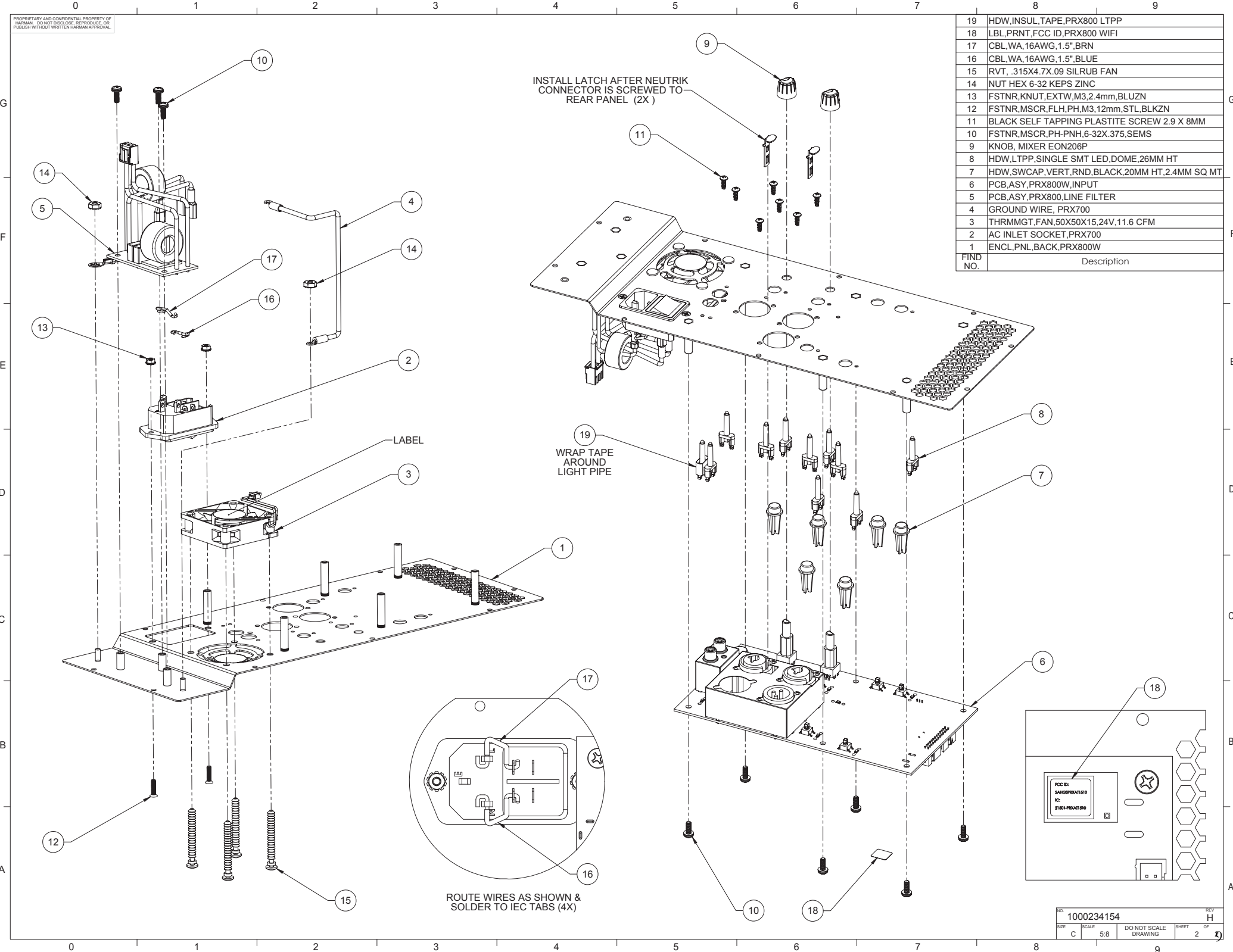
NOTES:  
1. REFER TO PROCOM FOR COMPONENT PART NUMBERS.  
FIND NO. ON THIS DRAWING CORRESPONDS TO THE FIND NUMBER DETAILED ON THE PROCOM BILL OF MATERIALS.  
2. DRAWING IS VALID FOR 5069108, 50669109, & 5071129.

18	1	LBL_PRNT_PRX800_SIN
17	2	AMP GASKET, PRX700
16	1	FSTNR,MSCR,PH-PNH,6-32x1/4,EX SEMS,Zn
15	4	FSTNR,MSCR,PH-PNH,M4,SPR,WSHR,10mm,BLUZn
14	20	FSTNR,MSCR,PH-PNH,M3,8mm,BLKZn
13	1	MECHASY_PRX800W_REAR_PNL
12	2	TIE, CABLE 5.5" OR MORE 18 LB
11	2	CABLE TIE MNT W/ADHESIVE BL 0.75" SQ BIN
10	1	PASS THRU PCB ASSEMBLY - 2 WAY, PRX700
9	1	GASKET, PCB PASS THROUGH
8	1	CBL_WA_RF_PAS,200mm,50ohm,RP-SMA,MHF
7	1	26PIN RIBBON CABLE, PRX700
6	1	PSU / AMPLIFIER BOARD ASSEMBLY, PRX700
5	1	GAP PAD 3, PRX700
4	1	GAP PAD 2, PRX700
3	2	GAP PAD 1, PRX700
2	1	ISOLATING SHEET, PRX700
1	1	ENCL_CHAS_PRX800W_EM

<p>ROHS RESTRICTION OF HAZARDOUS SUBSTANCES ALL DIMENSIONS ARE IN INCHES UNLESS OTHERWISE SPECIFIED BY THE PART NUMBER</p>	<p>TOLERANCES UNLESS OTHERWISE SPECIFIED: All Dimensions ±.005 Holes ±.010 All Dimensions Apply to the Finish</p>	<p>THIS DRAWING IS THE PROPERTY OF HARMAN INTERNATIONAL COMPANY. IT IS TO BE USED FOR THE PURPOSES SPECIFIED ONLY. IT IS NOT TO BE REPRODUCED OR TRANSMITTED IN ANY FORM OR BY ANY MEANS, ELECTRONIC OR MECHANICAL, INCLUDING PHOTOCOPYING, RECORDING, OR BY ANY INFORMATION STORAGE AND RETRIEVAL SYSTEM, WITHOUT PERMISSION IN WRITING FROM HARMAN INTERNATIONAL COMPANY.</p>	<p>DATE: 12/11/2015 BY: RWS REVISED: 8/2/2015 BY: RWS</p>	<p><b>HARMAN</b> MECHASY_PRX800W_AMP 1000235451 SCALE: 5/8 Dwg No: 1000235451 Scale: 5/8 Sheet: 1 of 2</p>
--	---	---	---	--



PROPRIETARY AND CONFIDENTIAL PROPERTY OF HARMAN. DO NOT DISCLOSE, REPRODUCE, OR PUBLISH WITHOUT WRITTEN HARMAN APPROVAL.

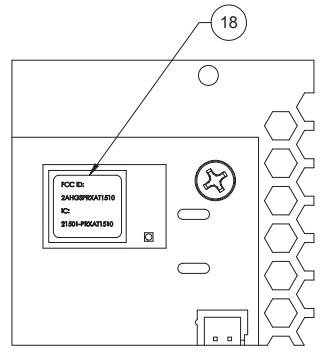


INSTALL LATCH AFTER NEUTRIK CONNECTOR IS SCREWED TO REAR PANEL (2X)

WRAP TAPE AROUND LIGHT PIPE

ROUTE WIRES AS SHOWN & SOLDER TO IEC TABS (4X)

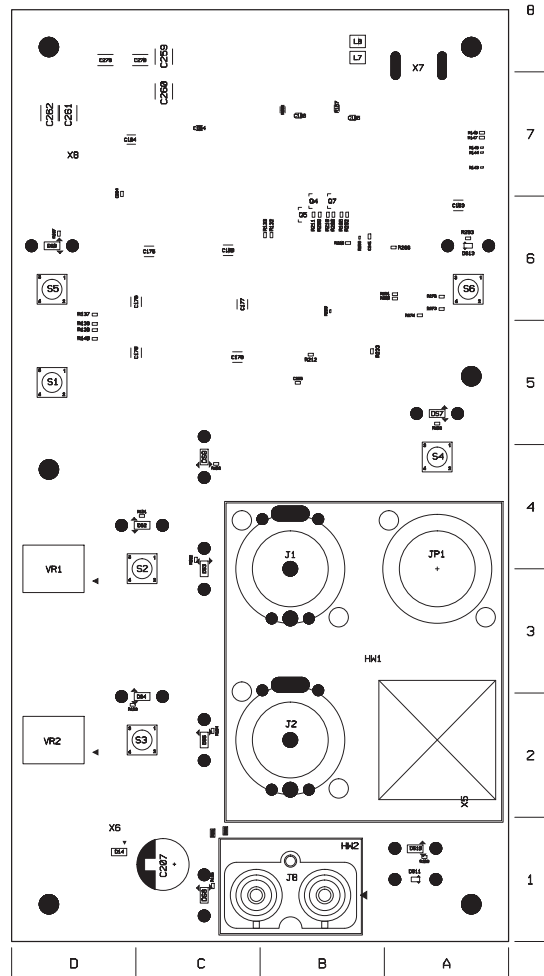
FIND NO.	Description
19	HDW,INSUL,TAPE,PRX800 LTPP
18	LBL,PRNT,FCC ID,PRX800 WIFI
17	CBL,WA,16AWG,1.5" BRN
16	CBL,WA,16AWG,1.5" BLUE
15	RVT, .315X4.7X.09 SILRUB FAN
14	NUT HEX 6-32 KEPS ZINC
13	FSTNR,KNUT,EXTW,M3,2.4mm,BLUZN
12	FSTNR,MSCR,FLH,PH,M3,12mm,STL,BLKZN
11	BLACK SELF TAPPING PLASTITE SCREW 2.9 X 8MM
10	FSTNR,MSCR,PH-PNH,6-32X.375,SEMS
9	KNOB, MIXER EON206P
8	HDW,LTPP,SINGLE SMT LED,DOME,26MM HT
7	HDW,SWCAP,VERT,RND,BLACK,20MM HT,2.4MM SQ MT
6	PCB,ASY,PRX800W,INPUT
5	PCB,ASY,PRX800,LINE FILTER
4	GROUND WIRE, PRX700
3	THRMMGT,FAN,50X50X15,24V,11.6 CFM
2	AC INLET SOCKET,PRX700
1	ENCL,PNL,BACK,PRX800W



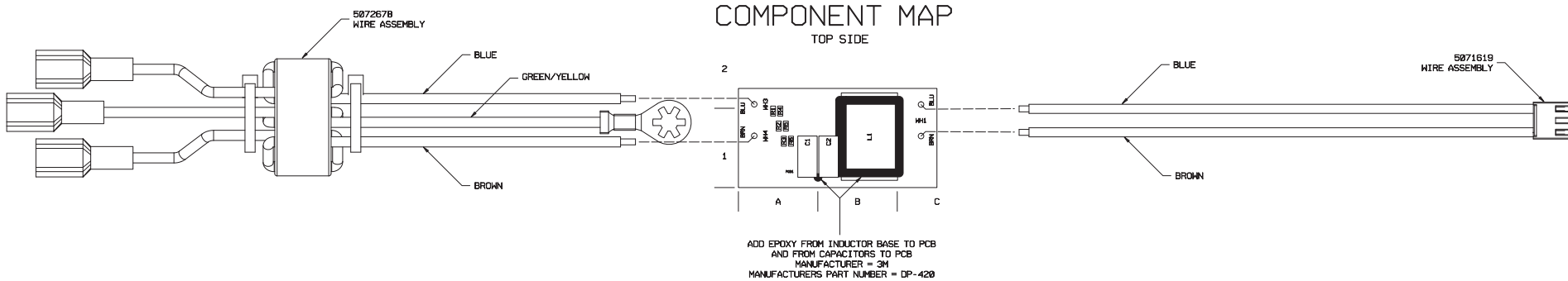


# COMPONENT MAP

BOTTOMSIDE  
SCALE: 2:1



REV. NO.	5065760-03	REV. C
DATE	REV. NO. / REV.	
D		
SCALE	CS	DO NOT SCALE DIMENSIONS
		SHEET 2 OF 4



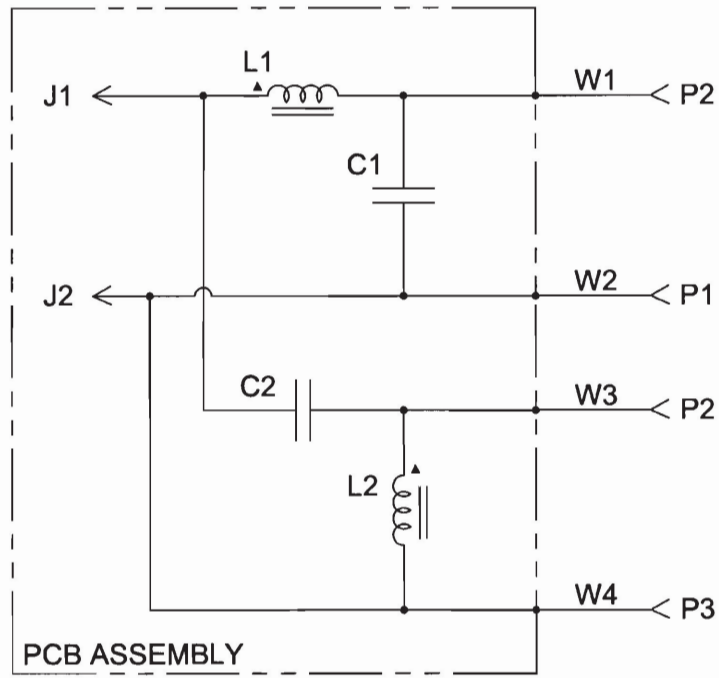
<p><b>ROHS</b></p> <p>RESTRICTION OF HAZARDOUS SUBSTANCES ALL MATERIALS USED IN THIS PART MUST BE ROHS COMPLIANT.</p> <p>SUPPLIER SHALL PROVIDE A CERTIFICATE OF ROHS COMPLIANCE WITH THE FIRST ARTICLE.</p> <p>PROPRIETARY AND CONFIDENTIAL PROPERTY OF HARMAN. DO NOT DISCLOSE, REPRODUCE, OR PUBLISH WITHOUT WRITTEN HARMAN APPROVAL.</p>		<p>TOLERANCES UNLESS OTHERWISE SPECIFIED</p> <p>FINISHED DRILL: <math>\pm 0.003</math> (0.0762)</p> <p>REGISTRATION: <math>\pm 0.002</math> (0.0508)</p> <p>MINIMUM ANNULAR RING: <math>\pm 0.002</math> (0.0508)</p> <p>.XX = <math>\pm 0.01</math> (0.254)</p> <p>.XXX = <math>\pm 0.005</math> (0.127)</p> <p>ALL DIMENSIONS ARE IN INCHES (MM)</p> <p>ALL DIMENSIONS APPLY AFTER FINISH</p>		<p><b>HARMAN</b></p> <p>TITLE PCB, ASY, PRX_8xx_LINE_FILTER_AV1</p>	
<p>DRAWN BY WALTER, KEN</p>	<p>DATE 03-11-16</p>	<p>ASSEMBLY NO. 5071362-02</p>	<p>REV B</p>	<p>SCALE 1:1 DO NOT SCALE DRAWING</p>	
<p>ENGINEER BIRD, ERNIE</p>	<p>DATE 03-11-16</p>	<p>SIZE C</p>	<p>ASSEMBLY NO. / REV</p>	<p>SHEET 1 OF 2</p>	<p>1</p>

8 7 6 5 4 3 2 1

THESE DRAWINGS AND SPECIFICATIONS ARE THE PROPERTY OF JBL INCORPORATED. THEY ARE ISSUED IN STRICT CONFIDENCE AND SHALL NOT BE REPRODUCED OR USED AS THE BASIS FOR MANUFACTURE OR APPARATUS WITHOUT WRITTEN PERMISSION.

ALL MATERIAL SPECIFIED ON THIS DRAWING SHALL COMPLY WITH EUROPEAN DIRECTIVE 2002/95/EC. **RoHS**

REVISIONS						
CHG	LTR	DESCRIPTION	DRFT	D.C	DATE	APPR
					5/24/19	AAV



PCB ASSEMBLY

NOTES: (UNLESS OTHERWISE SPECIFIED)

JBL PROFESSIONAL  
A Harman International Company  
Northridge, California 91329, U.S.A.

DATE: NETWORK ASSY.

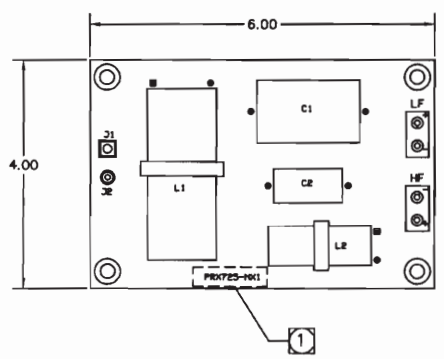
REV: D 2026521 A

SCALE: NONE SHEET 2 of 3

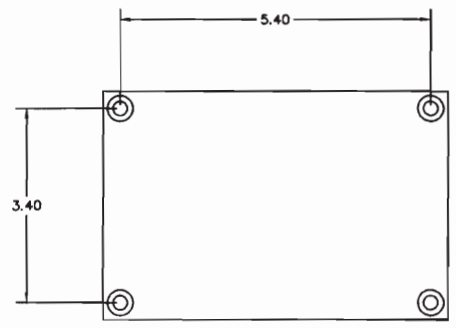
8	7	6	5	4	3	2	1
THESE DRAWINGS AND SPECIFICATIONS ARE THE PROPERTY OF JBL INCORPORATED. THEY ARE ISSUED IN STRICT CONFIDENCE AND SHALL NOT BE REPRODUCED OR USED AS THE BASIS FOR MANUFACTURE OR APPARATUS WITHOUT WRITTEN PERMISSION.		ALL MATERIAL SPECIFIED ON THIS DRAWING SHALL COMPLY WITH EUROPEAN DIRECTIVE 2002/95/EC.		↓			
				↑			
REVISIONS							
CHG	LTR	DESCRIPTION	DRFT	D.C	DATE	APPR	
					5/24/13	AMV	

D  
C  
B  
A

D  
C  
B  
A



VIEW FROM  
COMPONENTS SIDE



VIEW FROM  
TRACE SIDE

NOTES: (UNLESS OTHERWISE SPECIFIED)

JBL PROFESSIONAL A Harman International Company Northridge, California 91329, U.S.A.			
TITLE <b>NETWORK ASSY.</b>			
SIZE	DRAWN	CHECKED	REV
D	3036521	A	A
SCALE 1:1	SHEET 3 of 3		1

8      7      6      5      4      3      2      1

1	Component Map - Top Side
2	Component Map - Bottom Side
3	Title Page
4	INPUT
5	OUTPUT
6	SHARC
7	LED/SWITCHES
8	MICRO/WIFI
9	PWR SUPPLY/CONNECTORS/FAN

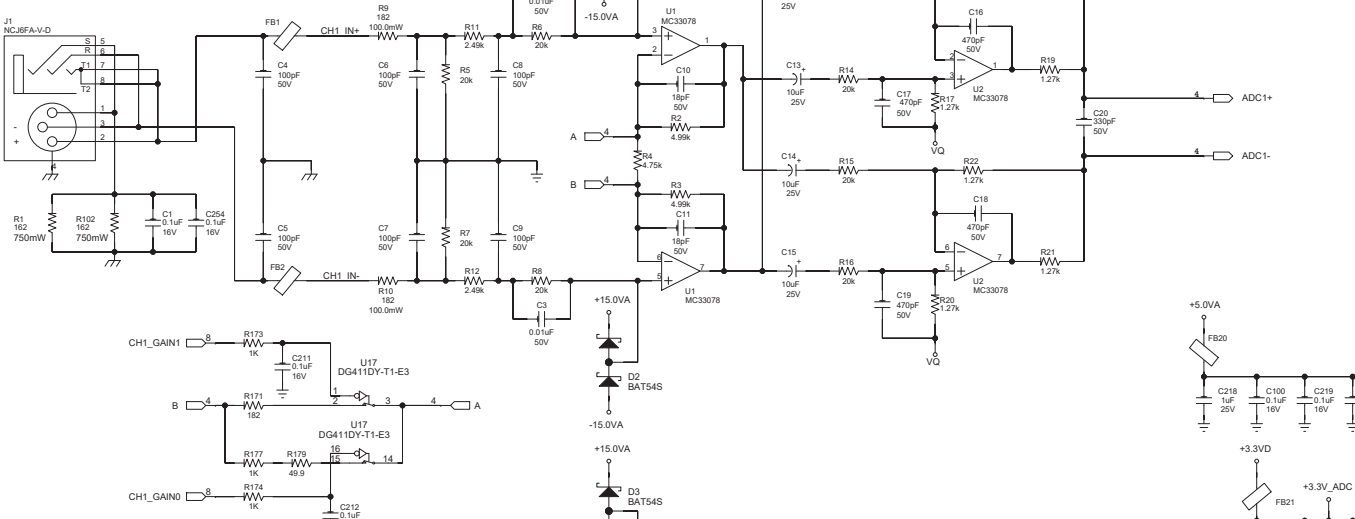
NOTE:  
UNLESS OTHERWISE SPECIFIED:  
1. ALL RESISTORS ARE IN OHMS, 1% AND 0.063W  
2. ALL CAPACITORS ARE IN MICROFARADS

TITLE PAGE

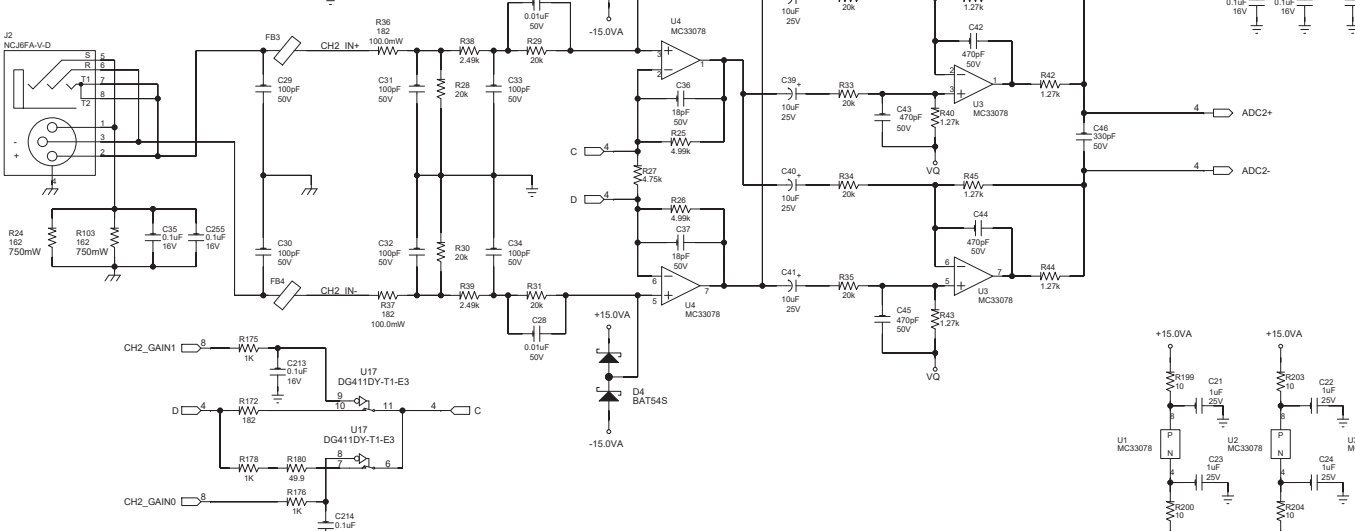
DRAWN BY:		DATE:	
C	5065760-03		02/03/2016:14:52
SCALE:	5065760-03	5065759-02	3 of 9

XLR INPUT STAGE

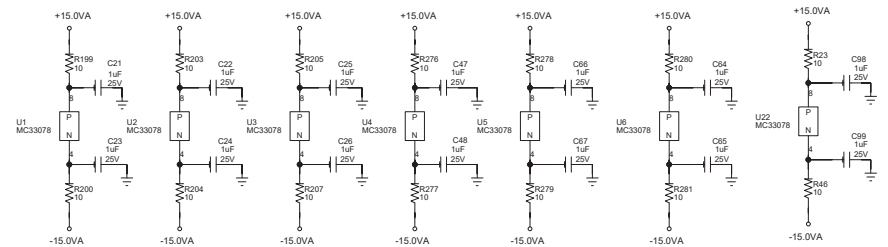
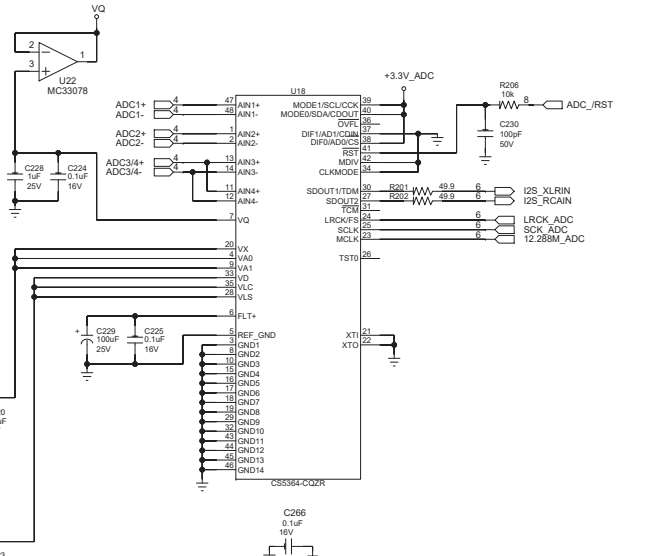
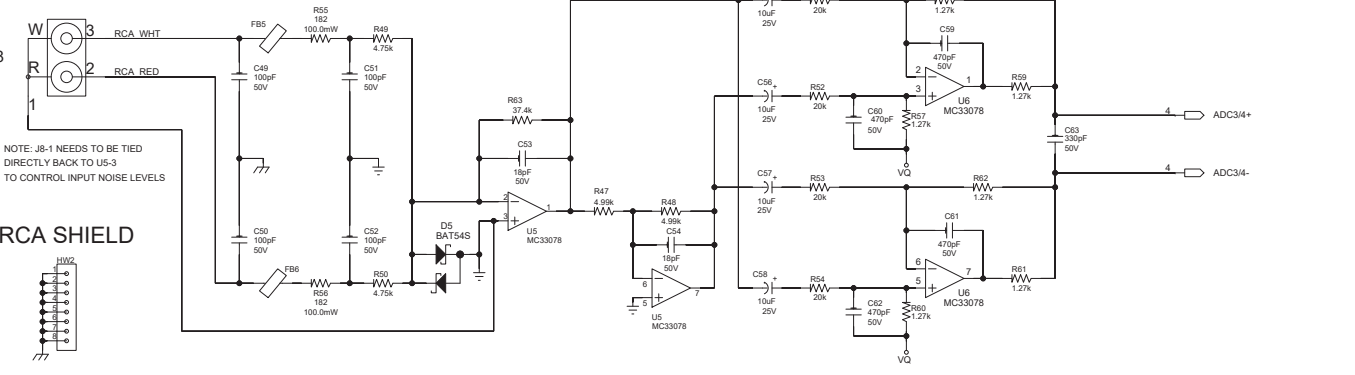
CH1



CH2

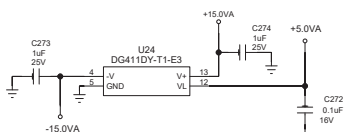
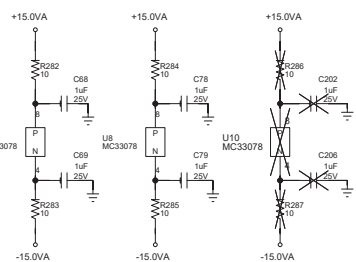
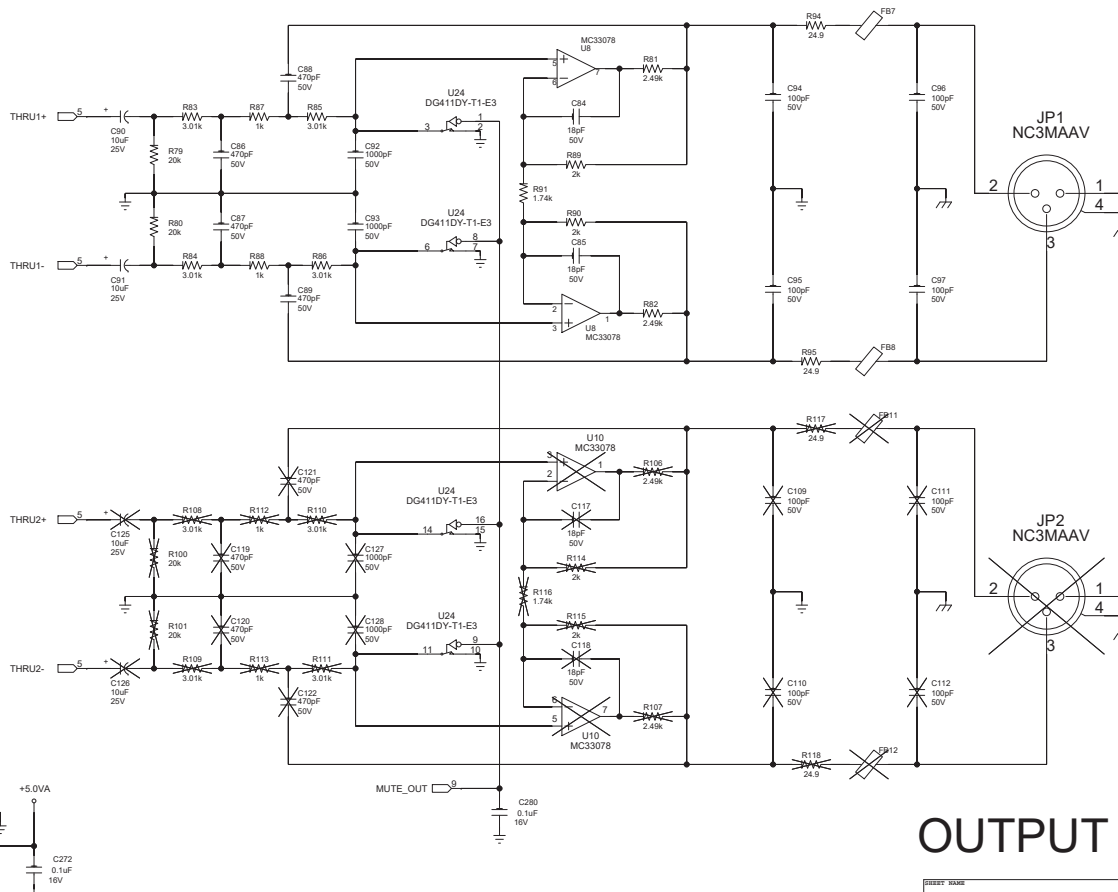
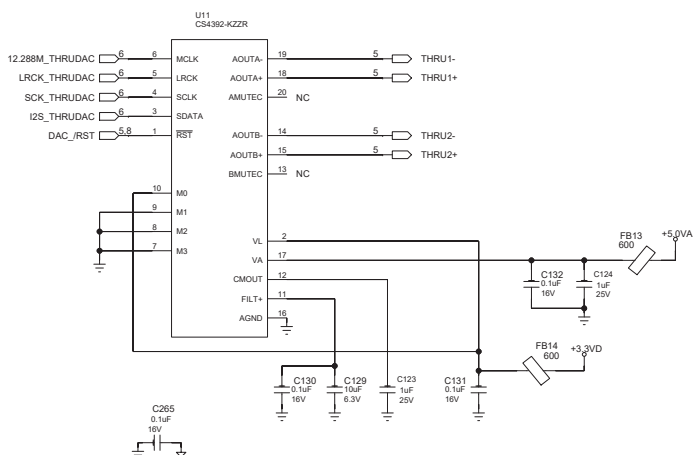
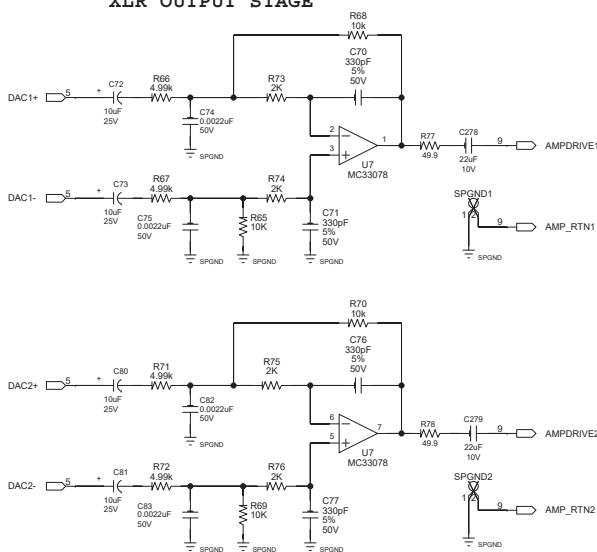
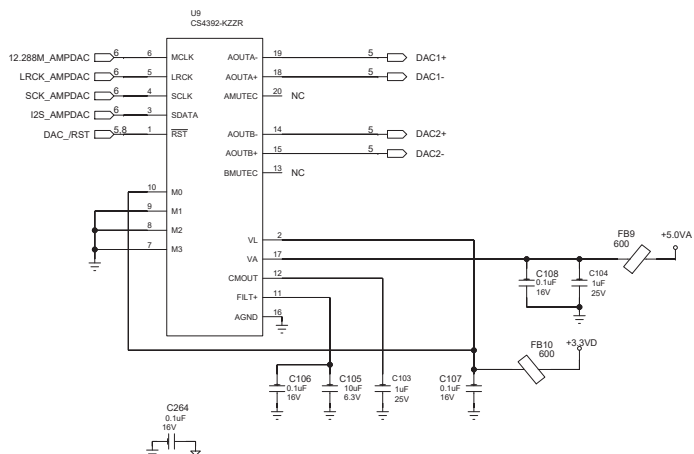


RCA INPUT STAGE



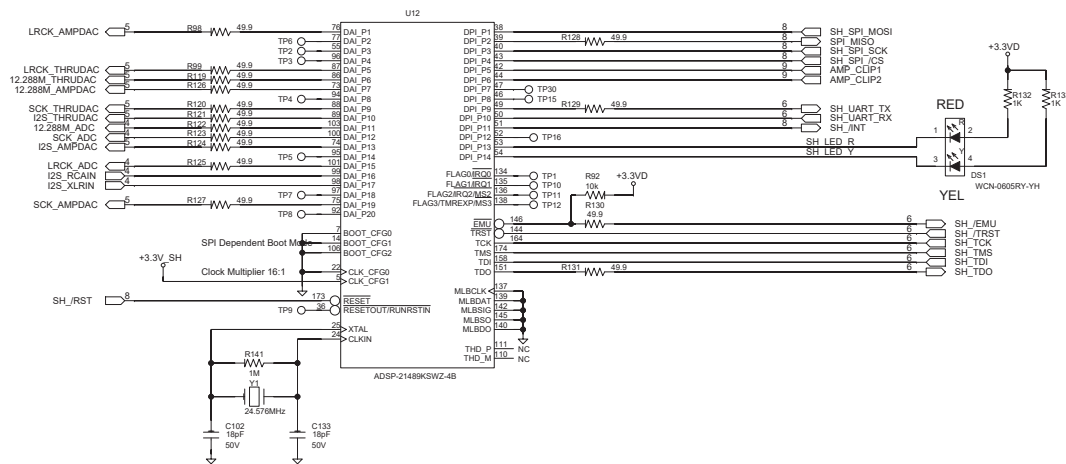


XLR OUTPUT STAGE

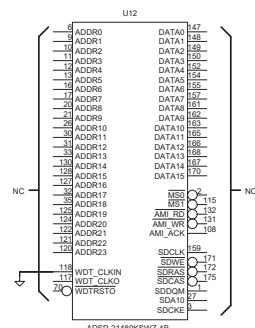
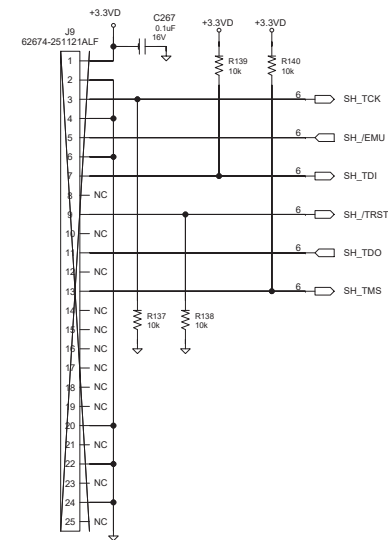


OUTPUT

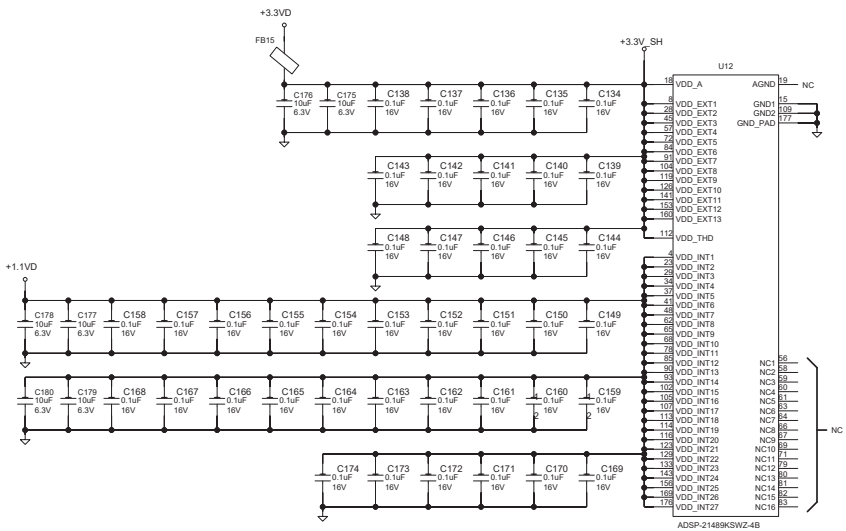
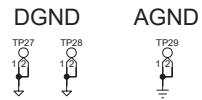
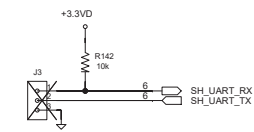
REVISION		REVISION	
REV	DESCRIPTION	DATE	BY
C	5065760-03	09/06/2016	15:23
SCALE	5065760-03	REV	5065759-02
SHEET	5 of 9	REV	17



### SHARC JTAG DEBUG

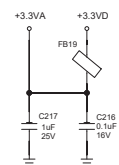
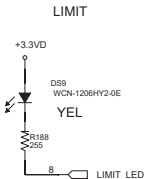
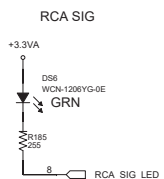
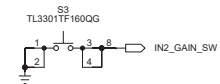
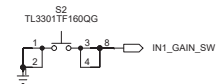
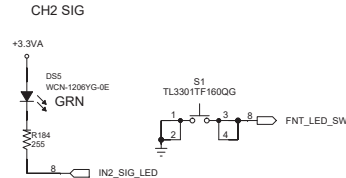
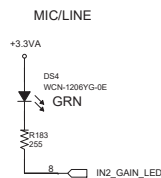
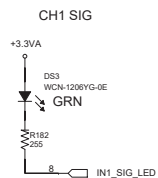
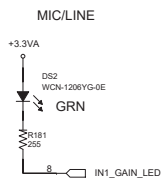


### SHARC DEBUG HEADER

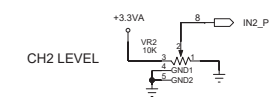
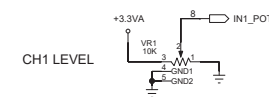
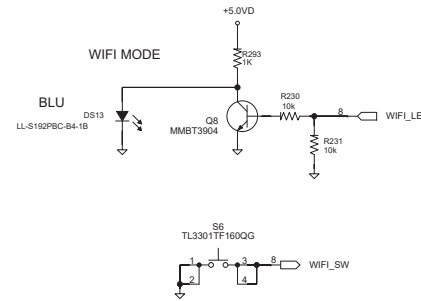
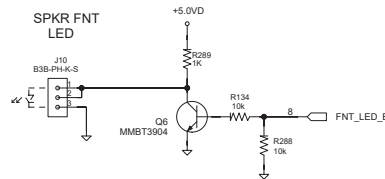
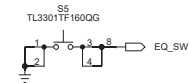
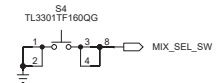
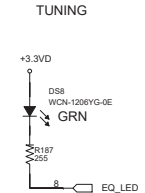
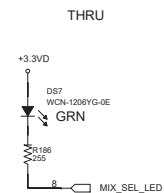
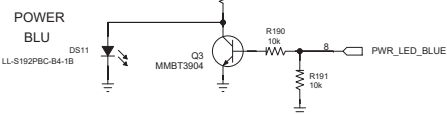
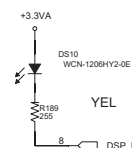


# SHARC

REVISED PART NO.		REVISION	
C	5065760-03	09/06/2016:15:24	
SCALE	REV PART NO.	REV PART NO.	SHEET
NONE	5065760-03	5065759-02	6 of 9 18



CUSTOM EQ



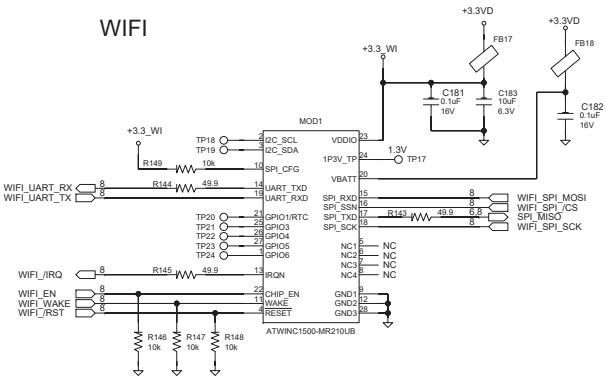
THRU BUTTON/LED FUNCTION		
MODEL	OFF	ON
810, 812, 815	STANDARD	50/50
825, 835	MIX	MIX
815XLF, 818XLF	FLAT	HI-PASS

TUNING BUTTON/LED FUNCTION		
MODEL	OFF	ON
810, 825, 835	NORMAL	BOOST
812, 815	MAIN	MONITOR
815XLF, 818XLF	NON-INVERTED	INVERTED

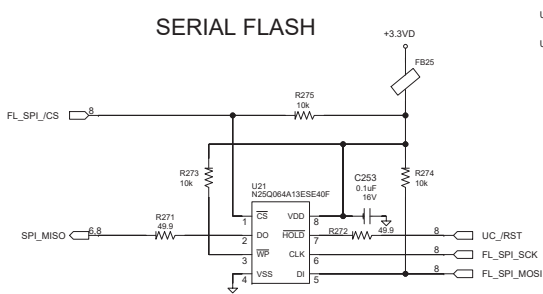
# LED/SWITCHES

REVISION		REVISION	
DATE	BY	DATE	BY
C		09/06/2016:15:26	
SCALE		5065760-03	
NONE	5065760-03	5065759-02	7 of 9 19

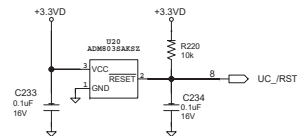
### WIFI



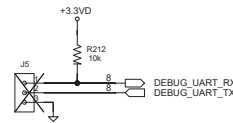
### SERIAL FLASH



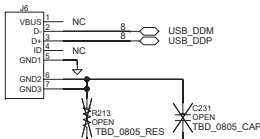
### VOLT SUPP



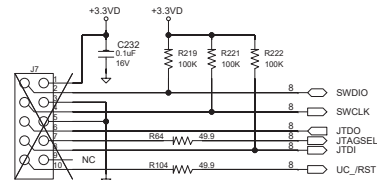
### MICRO DEBUG



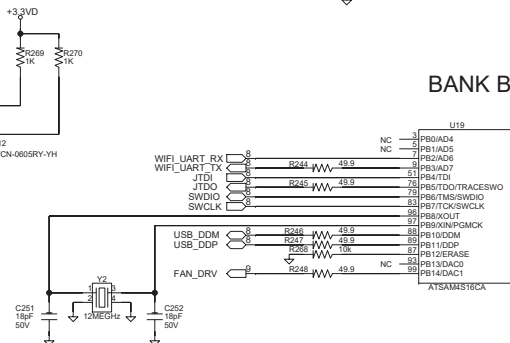
### USB



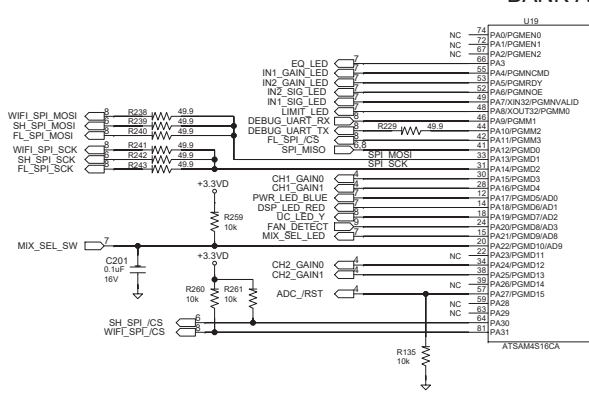
### JTAG DEBUG



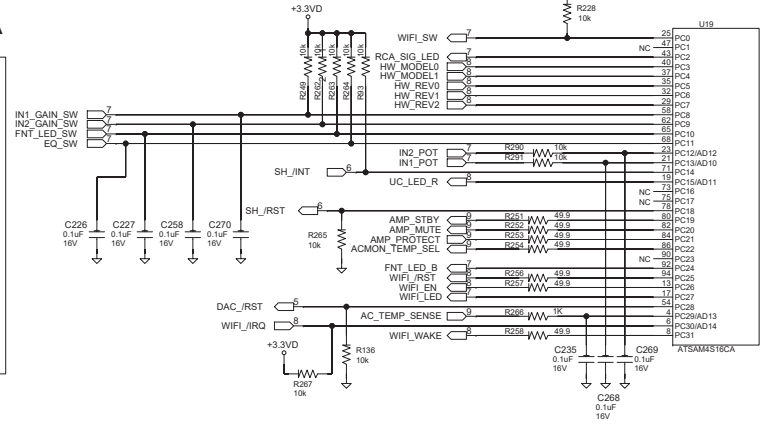
### BANK B



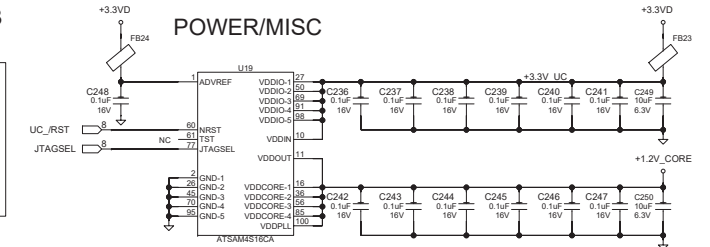
### BANK A



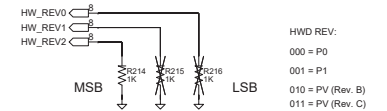
### MICRO



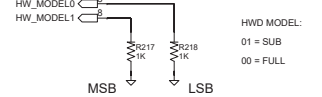
### POWER/MISC



### HARDWARE REVISION ID



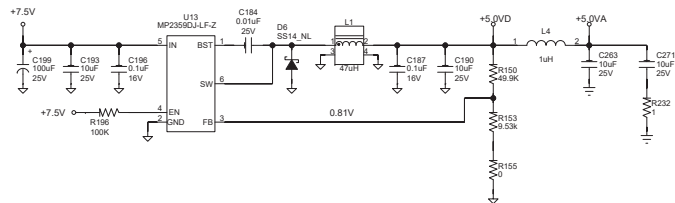
### HARDWARE MODEL ID



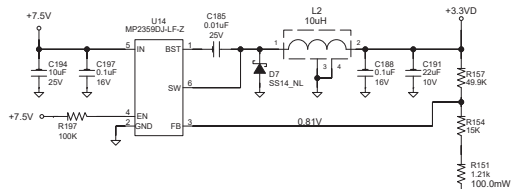
### MICRO/WIFI

REVISED PART NO.		REVISION	
C		10/06/2016:10:31	
5065760-03		C	
SCALE	REV PART NO.	REV PART NO.	SHEET
NONE	5065760-03	5065759-02	8 of 9

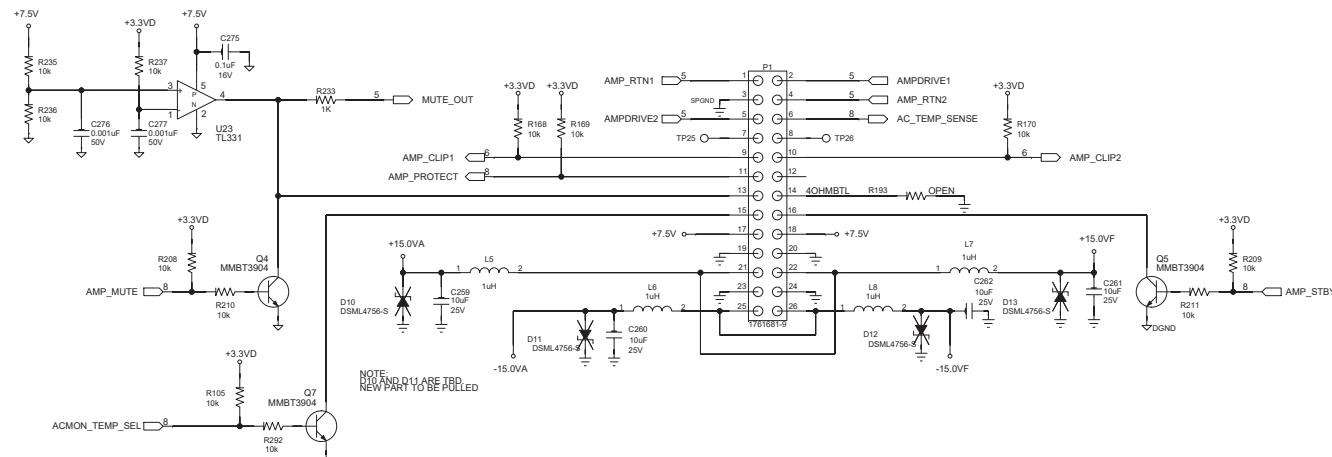
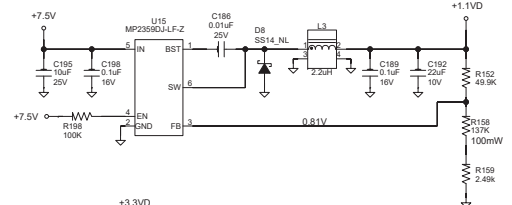
**+5V D REGULATOR**



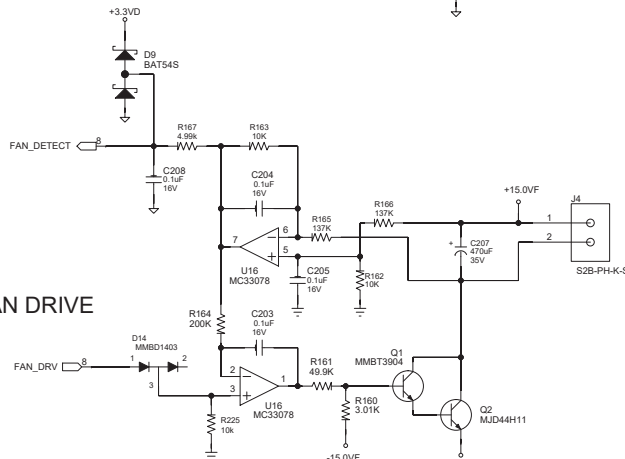
**+3.3V REGULATOR**



**+1.1V REGULATOR**



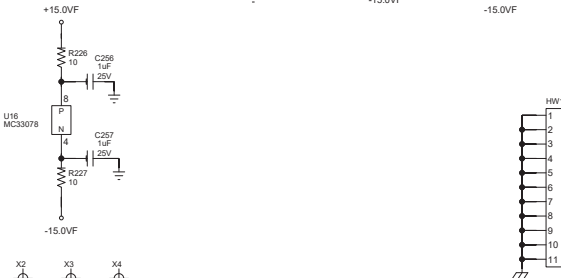
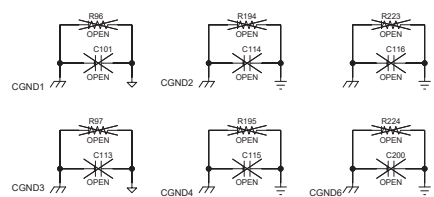
NOTE: D10 AND D11 ARE TBD  
NEW PART TO BE POLLED



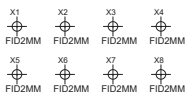
**FAN DRIVE**

**FAN**

**CHASSIS MOUNTING HOLES**



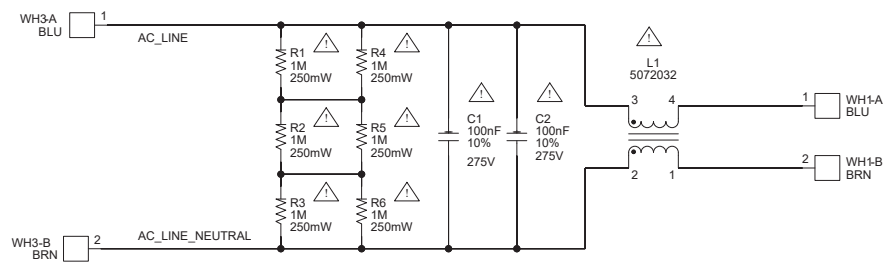
**XLR SHIELD**



MODEL ID RESISTOR  
R156  
1.21k

**PWR SUPPLY/CONNECTORS/FAN**

REVISED PART NO.		REVISION	
C	5065760-03	10/06/2016	09:28
SCALE	NONE	REV	C
REV	5065760-03	REV	5065759-02
SHEET	9 of 9	SHEET	21



 **CRITICAL TO SAFETY COMPONENTS.  
REPLACE WITH SAME COMPONENT ONLY!**

PCB1	5071360-01	PCB,RAW,PRX_8xx_LINE_FILTER,BDB	
SHEET NAME		1	REVISE DDATE
			25/05/2016:09:18
SIZE	SCH PART NO.	REV	
C	5071362-02	B	
SCALE	ASY PART NO.	PCB PART NO.	SHEET
NONE	5071362-02	5071360-01	2 OF 2

4

3

2

1

Refer to the corresponding Service Bill of Materials (SBOM) to order parts stocked by Harman.

Bill of Materials - System		
Ref ID	Description	Qty
1	PANEL, TOP, PRX825	1
2	PANEL, REAR, PRX825W	1
3	WRAP, LEFT, PRX825W	1
4	STIFFENER, BAFFLE, PRX825W	1
5	PANEL, BOTTOM, PRX825	1
7	PORT, PRX725	4
8	GRILL SUPPORT SIDE, (NEW), PRX825W	2
9	BAFFLE, PRX825W	1
10	GRILL SUPPORT, PRX815	2
11	WRAP, RIGHT, PRX825W	1
12	T-NUT, 10-32, SPECIAL, PRO	10
13	T-NUT 8-32X1 1/32	16
14	T-NUT, 10-32	26
17	L-BRACKET, M10, LOW COST	6
18	SCR, M10 X 35MM, FLAT, HEX, BLK ZNC, ALLOY	12
19	SCR, 8 X 1/2, PAN, PH, PB, BLK ZINC, LCS	14
20	AMPLIFIER, PRX 825W/835W	1
22	SCR, 10-32 X 3/4", FLT, PH, BLK ZINC, LCS	10
23	HANDLE ASSY, PRX700	2
24	FSTNR, MSCR, 8-32, HANDLE, VXP15	16
25	FOOT, SRX	4
26	SCR, 10 X 3/4, PAN, PH, PB, BLK ZINC, LCS	4
27	M/I, 275G	2
28	GASKET, REAR 15"	2
29	SCR, 10-32 X 1, FIL, PH, BLK	16
30	LED PCB, PRX800	1
31	SCR, 6X3/4", PAN, PH, PB, BLK	6
32	LOGO SRX800, EON615	1
33	GRILLE, PRX825	1
34	SCR, 6 X 3/4, OV, PH, PTCL, BLK ZC, LCS	18
35	HORN, JRX	1
36	GASKET, 6.5 X 12 WAVEGUIDE AE	1
37	SCR, 10-32X1, PAN, PH, BLK	10
38	2408H-2 UNIT ASSEMBLY	1
41	NETWORK ASSY, PRX725	1
42	HARNESS ASSY, PRX725/ PRX735	1
43	CORD, AC, LINE, 120V, EON	1
44	GASKET, HANDLE VTX-V25	2
62	STIFFENER, REAR, PRX825W	2
70	ANTENNA, PRX800	1

Bill of Materials - Amplifier		
Ref ID	Description	Qty
1	ENCL,CHAS,PRX800W EM	1
2	ISOLATING SHEET, PRX700	1
3	GAP PAD 1, PRX700	2
4	GAP PAD 2, PRX700	1
5	GAP PAD 3, PRX700	1
6	PSU / AMPLIFIER BOARD ASSEMBLY, PRX700 (A2710515B01A)	1
7	26PIN RIBBON CABLE, PRX700	1
8	CBL,WA,RF,PAS,200mm,50ohm,RP-SMA,MHF	1
9	GASKET, PCB PASS THROUGH	1
10	PASS THRU PCB ASSEMBLY- 2 WAY, PRX700	1
13	MECHASY,PRX 812W/815W,REAR PNL	1
13.1	ENCL,PNL,BACK,PRX 812W/815W	1
13.2	AC INLET SOCKET, PRX700	1
13.3	THRMMGT,FAN,50X50X15,24V,11.6 CFM	1
13.4	GROUND WIRE, PRX700	1
13.5	PCB,ASY,PRX_8xx_LINE_FILTER,AV1	1
R1-R6	RES,1M00,1.0%,125mW,TN,1206,CSA TESTED	6
C1-C2	CAP,100n,10%,275V,FILM,PP,RDL	2
WH1	CBL,WA,18AWG,BRN/BLU,PRX800W	1
L1	IDCTR,CHOKE,COMMON MODE,T25/15/13-R10K	1
WH3	CBL,WA,IEC,PRX800W	1
13.6	PCB,ASY,PRX800W_INPUT_FULL,AV1	1
U9,U11	IC, DAC 2CH 24BIT 192KHZ CS4392 TSSOP20	2
D1-D5,D9	DIO,SCHOTTKY,BAT54S,30V,200mA,SOT23	6
C190,C193-C195,C259-C263,C271	CAP,10u,10%,25V,CER,X7R,1210	10
C105,C129,C175-C180,C183,C249-C250	CAP,10u,20%,6.3V,CER,X5R,0805	11
L2	IND, 10UH 1.8A 5.2X5.2	1
C191-C192,C278-C279	CAP,22u0,20%,10V,CER,X5R,1206	4
S1-S6	SW, 1P1T PB 250V 50MA SM VRT	6
C21-C26,C47-C48,C64-C69,C78-C79,C98-C99,C103-C104,C123-C124,C209-C210,C217-C218,C223,C228,C256-C257,C273-C274	CAP,1.0u,10%,25V,CER,X5R,0603	32
C184-C186	CAP,10n0,5%,25V,CER,X7R,0402	3
U23	IC, COMP LOBIAS TL3311 SOT-23-5	1
R9-R10,R36-R37,R55-R56,R171-R172	RES,182R,1%,63mW,THKF,0603	8
R154	RES,15k0,1%,100mW,THKF,0603	1
R151,R156	RES,1k21,1%,100mW,THKF,0603	2
C92-C93	CAP,1n0,5%,50V,CER,COG,0603	2
D14	DIO,GP,MMBD4148SE,100V,200mA,SOT23	1
U13-U15	IC,VREG,MP2359,ADJ,SW,1.2A,SOT23-6	3
D6-D8	DIO,SCHOTTKY,SS14,1.0A,40V,DO-214AC/SMA	3
C74-C75,C82-C83	CAP,2n2,5%,50V,CER,COG,0603	4
U12	IC,DSP,ADSP-21489KSWZ-4B,400MHz,176,LQFP	1
Q2	XSTR,BJT,NPN,80V,8A,D-PAK	1
R11-R12,R38-R39,R81-R82,R159	RES,2k49,1%,63mW,THKF,0402	7



FB1-FB10,FB13-FB15,FB17-FB21,FB23-FB25	IDCTR,FBD,600R,100MHZ,1300mA, 0603	21
L4-L8	IDCTR,1U,1A,3.2X2.5X2.0,SM	5
DS11,DS13	OPTO,LED,BLU,473nm,CLR 140mcd,SMD0603	2
DS2-DS8	OPTO,LED,GRN,565nm,CLR,30mcd,SM1206	7
DS9-DS10	OPTO,LED,YEL,589nm,DIF,8mcd,SM1206	2
C1,C35,C100,C106-C108,C130-C132,C134-C174,C181-C182,C187-C189,C196-C198,C201,C203-C205,C208,C211-C216,C219-C222,C224-C227,C232-C248,C253-C255,C258,C264-C270,C272,C275,C280	CAP,100n,10%,16V,CER,X7R,0402	108
C199,C229	CAP,100u,20%,25V,EL,85C,6.3x7.7,SM	2
C12-C15,C38-C41,C55-C58,C72-C73,C80-C81,C90-C91	CAP,10u0,20%,25V,EL,85C,4x5.4,SM	18
R65,R68-R70,R92-R93,R105,R134-R140,R142,R146-R149,R162-R163,R168-R170,R190-R191,R206,R208-R212,R220,R225,R228,R230-R231,R235-R237,R249,R259-R265,R267-R268,R273-R275,R288,R290-R292	RES,10k0,1%,63mW,THKF,0402	57
R87-R88,R132-R133,R173-R178,R192,R214,R217-R218,R233,R266,R269-R270,R289,R293	RES,1k00,1%,63mW,THKF,0402	20
C2-C3,C27-C28	CAP,10n0,5%,50V,CER,COG,0805	4
R64,R98-R99,R104,R119-R131,R143-R145,R179-R180,R201-R202,R229,R238-R248,R251-R254,R256-R258,R271-R272	RES,49R9,1%,63mW,THKF,0201	45
R73-R76,R89-R90	RES,2k00,1%,63mW,THKF,0402	6
JP1	CON,XLR,M,3P,PLASTIC,TH,VERT	1
R232	RES,1R00,1%,100mW,THKF,0603	1
R155	RES,0R00,+0R05,63mW,THKF,0402	1
R77-R78	RES,49R9,1%,63mW,THKF,0402	2
C276-C277	CAP,1n0,10%,50V,CER,X7R,0402	2
U21	IC,MEM,FLASH,SPI,64Mb,3.3v,SO8W,DANTE	1
Y2	XTLO,XTAL,12.000MHz,18pF,SMD	1
HW1	HDW,SHLD,SRX,4 XLRS	1
C10-C11,C36-C37,C53-C54,C84-C85,C102,C133,C251-C252	CAP,18p0,5%,50V,CER,COG,0603	12
U17,U24	IC,DG411,QUAD,CMOS,ANALOG SWITCH	2
Y1	XTLO,XTAL,24M576,18p,MTL,LP,SM,TA	1
R181-R189	RES,255R,1%,63MW,THKF,0402	9
R17-R22,R40-R45,R57-R62	RES,1k27,1%,63MW,THKF,0402	18
DS1,DS12	OPTO,LED,RED/YEL,1.6X1.5X0.55MM,0605	2
U20	IC,LIN,SPRVSOR RESET,803,2.93V,SC70	1
R153	RES,9k53,1%,63mW,THKF,0402	1
MOD1	MDL,ELEC,WINC1510-MR210U,WIFI,8Mb	1
U18	IC,CONV,ADC,CS5364,4CH,24BIT,192kHz,114dB,LQFP48	1
J4	CON,HDR,1X2,2MM,RA,TH,ML	1
J10	CON,HDR,VERT,2MM,3POS,TH	1
P1	CON,HDR,2X13,SHRD,0.1",TH,VERT,ML	1

J8	CON,DUAL,RCA,VERT,24MM,WHT/RED,TH	1
VR1-VR2	RES,RTRY,10k0,B,VERT,TH	2
HW2	HDW,SHLD,PRX800W,RCA	1
R1,R24,R102-R103	RES,162R,1%,750mW,THKF,2010	4
L3	IDCTR,FBD,2u2,100kHz,3.2A,5.2x5.2,SM	1
L1	IDCTR,FBD,47u0,100kHz,0.7A,5.2x5.2,SM	1
R158,R165-R166	RES,137k,1%,100mW,THKF,0603	3
U19	IC,MIPRCS,SAM4S16CA,1MB FLASH,LQFP100	1
J1-J2	CON,XLR,VERT,AuCoAg,FEM,COMBO,DISASY	2
J6	CON,USB,MICRO,I/O,TYPE B,VERT,RCPT,SM	1
R196-R198,R219,R221-R222	RES,100k,1%,63mW,THKF,0402	6
R141	RES,1M00,1%,63mW,THKF,0402	1
R23,R46,R199-R200,R203-R205,R207,R226-R227,R276-R285	RES,10R0,1%,63mW,THKF,0402	20
R91	RES,1k74,1%,63mW,THKF,0603	1
R5-R8,R13-R16,R28-R35,R51-R54,R79-R80	RES,20k0,1%,63mW,THKF,0402	22
R164	RES,200k,1%,63mW,THKF,0402	1
R94-R95	RES,24R9,1%,63mW,THKF,0402	2
R83-R86,R160	RES,3k01,1%,63mW,THKF,0402	5
R63	RES,37k4,1%,63mW,THKF,0402	1
R4,R27,R49-R50	RES,4k75,1%,63mW,THKF,0402	4
R2-R3,R25-R26,R47-R48,R66-R67,R71-R72,R167	RES,4k99,1%,63mW,THKF,0402	11
R150,R152,R157,R161	RES,49k9,1%,63mW,THKF,0402	4
C4-C9,C29-C34,C49-C52,C94-C97,C230	CAP,100p,5%,50V,CER,COG,0402	21
C20,C46,C63,C70-C71,C76-C77	CAP,330p,5%,50V,CER,COG,0402	7
C16-C19,C42-C45,C59-C62,C86-C89	CAP,470p,5%,50V,CER,COG,0402	16
C207	CAP,470UF 35V 20% ELEC RAD	1
Q1,Q3-Q8	XSTR,N-CH,60V 0.2A,MMBT3904,SOT-23	7
U1-U8,U16,U22	IC,AMPL,33078,DUAL_LOW_NOISE,SO8	10
13.7	HDW,SWCAP,VERT,RND,BLACK,20MM HT,2.4MM SQ MT	6
13.8	HDW,LTPP,SINGLE SMT LED,DOME,26MM HT	11
13.9	KNOB, MIXER EON206P	2
13.10	FSTNR,MSCR,PH-PNH,6-32x3/8,#2,WSHR,BLUZN	9
13.11	FSTNR,MSCR,TORX,PNH,PLASTITE,4-20X.375	7
13.12	FSTNR,MSCR,FLH,PH,M3,12mm,STL,BLKZN	2
13.13	FSTNR,NUT,M3,K-LCK,STL,ZN	2
13.14	NUT HEX 6-32 KEPS ZINC	2
13.15	RVT, .315X4.7X.09 SILRUB FAN	4
13.16	CBL,WA,16AWG,1.5",BLUE	1
13.17	CBL,WA,16AWG,1.5",BRN	1
13.19	HDW,INSUL,TAPE,PRX800 LTPP	1
14	FSTNR,MSCR,PH-PNH,M3,8mm,BLKZN	20
15	FSTNR,MSCR,POZI,M4,SPR WSHR,10mm,BLUZN	4
16	FSTNR,MSCR,PH-PNH,6-32x1/4,EX SEMS,Zn	1
17	AMP GASKET, PRX700	2