

15" Two-Way Full-Range Main System/Floor Monitor with Bluetooth

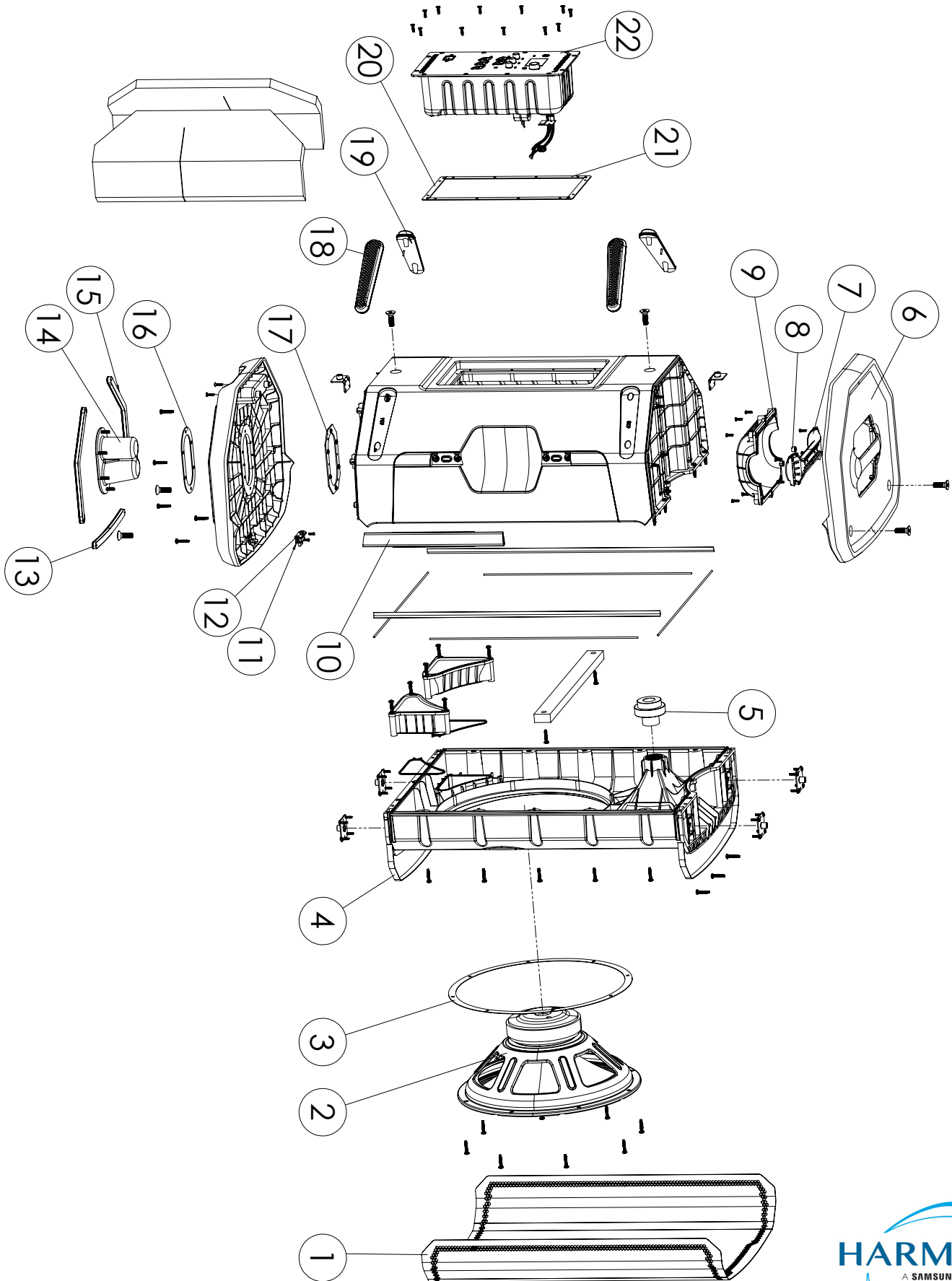


| Power Cables | |
|--------------|------------|
| P/N | Region |
| 425-00000-00 | N. America |
| 425-00000-01 | Europe |
| 5027842 | China |
| 5028427 | Australia |
| 5134942-00 | British |
| 5137386-00 | Japan |

| Speaker Spare Parts List | | | | |
|--------------------------|--------------|--|-----|--------------------|
| Ref ID | P/N | Description | Qty | SKU |
| 1 | 5138567-00 | SPKRSYS, GRL, ASY, w/Logo, PRX915 | 1 | |
| 2 | 5133916-00X | AUD,LS,ASY,915G WOOFER FOR CS | 1 | NA EK |
| | 5139545-00 | AUD,LS,ASY,915G WOOFER (DANDONG, for CS) | 1 | AU CN EKD IN |
| 3 | 360-70002-01 | GASKET,REAR 15IN | 1 | |
| 4 | 5136367-00 | HDW,GASKET,EVA,GRL STDF,PRX900 | 4 | |
| 5 | 5020337X | 2408H-2 UNIT ASSEMBLY (CUSTOMER SERVICE) | 1 | NA EK |
| | 5020337D | 2408-2 UNIT ASSEMBLY (DANDONG) | | AU CN EKD IN |
| 6 | 5135619-00 | ENCL,CHAS,TOP COVER,PRX915 | 1 | |
| 7 | 5135606-00 | HDW,HDL,TOP HANDLE,PRX900 | 1 | |
| 8 | 5135808-00 | HDW,PLUG,TOP HANDL,PRX915 | 2 | |
| 9 | 5135603-00 | ENCL,LID,TOP HANDLE COVER,PRX900 | 1 | |
| 10 | 5135607-00 | HDW,HDL,SIDE HANDLE,PRX900 | 1 | |
| 11 | 5130426-00 | HDW,SEAL,EVA_LIGHT GUIDE, EON700 | 1 | |
| 12 | 5135609-00 | HDW,LTCNT,LIGHT GUIDE,PRX900 | 1 | |
| 13 | 5135625-00 | HDW,FT,FOOT FRONT,PRX915 | 1 | |
| 14 | 351256-001 | CUP, DUAL POLE, VRX/JRX | 1 | |
| 15 | 5135626-00 | HDW,FT,FOOT SIDE,PRX915 | 2 | |
| 16 | 352957-001 | GASKET, DUAL POLE CUP, VRX/JRX | 1 | |
| 17 | 5135630-00 | HDW,BRKT,DUAL POLE CUP | 1 | |
| 18 | 5135624-00 | HDW,FT,SIDE FOOT BOTTOM,PRX915 | 2 | |
| 19 | 5135623-00 | HDW,FT,SIDE FOOT TOP,PRX915 | 2 | |
| 20 | 5135641-00 | HDW,GASKET,EVA_S_AMP900FRV | 2 | |
| 21 | 5135640-00 | HDW,GASKET,EVA_L_AMP900FR | 2 | |
| 22 | 5135053-00 | PRX900 AMP MODULE, FULL RANGE | 1 | AU CN EKD IN |
| | 5137453-00 | PRX900 AMP MODULE, FULL RANGE for TJ | 1 | NA EK |
| | PENDING | 915G CONE KIT | | |

PRX915

15" Two-Way Full-Range Main System/Floor Monitor with Bluetooth



15" Two-Way Full-Range Main System/Floor Monitor with Bluetooth

| Amplifier Module Spare Parts List | | | |
|-----------------------------------|------------|------------------------------|-----|
| Ref ID | PN | Description | Qty |
| 1 | 5138418-00 | ENCL,PNL,IO,BACK,PRX900 | 1 |
| 2 | 5138420-00 | HDW,SHLD,AL1050,AMP,PRX900 | 1 |
| 3 | 5136026-00 | HDW,KNOB,MASTER,EON700 | 1 |
| 4 | 5136027-00 | HDW,KNOB,VOLUME,EON700 | 3 |
| 5 | 5134175-00 | OPTO,DSPL,LCD,EON ONE MK2 | 1 |
| 6 | 5138423-00 | HDW,SWCAP,BTN,PWR,PRX900 | 1 |
| 7 | 5138424-00 | HDW,SWCAP,BTN,BACK,PRX900 | 1 |
| 8 | 5138425-00 | HDW,BRKT,PSU,ALUMINUM,PRX900 | 1 |
| 9 | 5138475-00 | ANT,BT,356MM,50OHM.PRX900 | 1 |
| 10 | 5138478-00 | PCB,ASY,SMPS,TST,PRX900 | 1 |
| 11 | 5138479-00 | PCB,ASY,DSP,UI,TST,PRX900 | 1 |

