

# Technical Manual

# JBL SR4702X



## SPECIFICATIONS

### ACOUSTIC & ELECTRICAL SPECIFICATIONS:

- Nominal Impedance: 8 ohms
- Power Capacity: 600W Continuous Pink Noise
- Frequency Range: 42 Hz – 20 kHz (-10dB)
- Sensitivity: 95 dB SPL, 1 Watt @ 1 Meter
- Crossover Frequency: 1.2 kHz

### SYSTEM COMPONENTS:

- Cabinet: SR4702X (Not For Sale)
- Grille: 128-00397-00
- Low Frequency Transducer: 305mm (12 in.) Paper Cone Transducer (2206HPL)
- DC Resistance: 5.3 ohm ±10% Aluminum Wire
- High Frequency Transducer: 25mm (1 in.) Exit Pure Titanium Compression Driver (2425HS)
- DC Resistance: 3.2 ohm ±8% Aluminum Wire

### SYSTEM COMPONENTS: (Cont'd)

- Crossover Network: 129-20056-00

### AURAL SWEEP TEST SPECIFICATIONS:

- A. System Aural Sweep Test: 7.0V Input, 20 Hz to 20 kHz
- B. L.F. Aural Sweep Test: 15.0V Input, 20 Hz to 1.2 kHz
- C. H.F. Aural Sweep Test: 2.0V Input, 550 kHz to 20 kHz

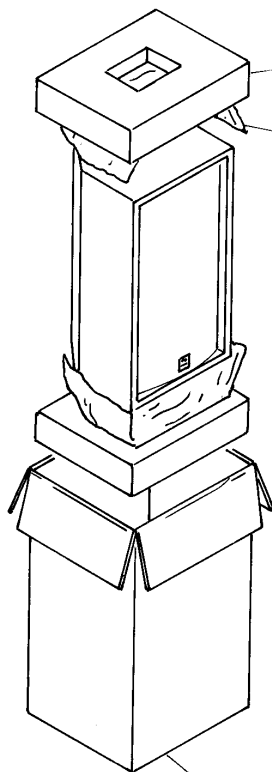
### PHYSICAL SPECIFICATIONS:

- Enclosure Dimensions: 586mm x 387mm x 403mm D (23.1 x 15.2 x 15.9 in. D)
- Shipping Weight: 64.8 lbs. (29.3 kg.)

### WARRANTY INFORMATION:

- Refer to Warranty Statement packed with each product.

## PACKAGE



Warranty 59660  
User's Guide  
SR-X Series  
981-00052-04

Filler, (2)  
Top & Bottom  
991-00181-00

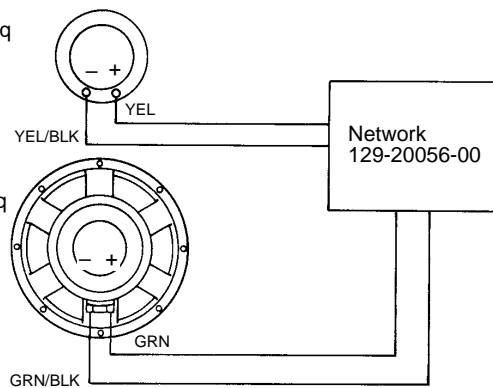
Microfoam  
Packaging(4)  
49790P

Carton  
SR4702X  
990-00174-00

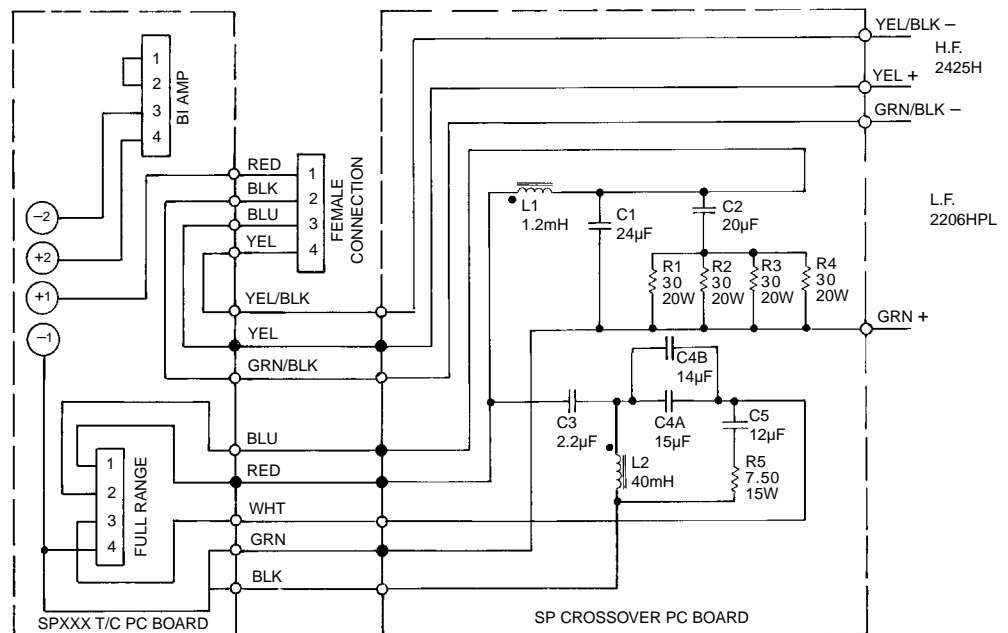
## WIRING DIAGRAM

Speaker, High Freq  
2425HS  
(66923X)  
Diaph Repl  
D8R2425

Speaker, Low Freq  
2206HPL  
Cone Repl  
C8R2206

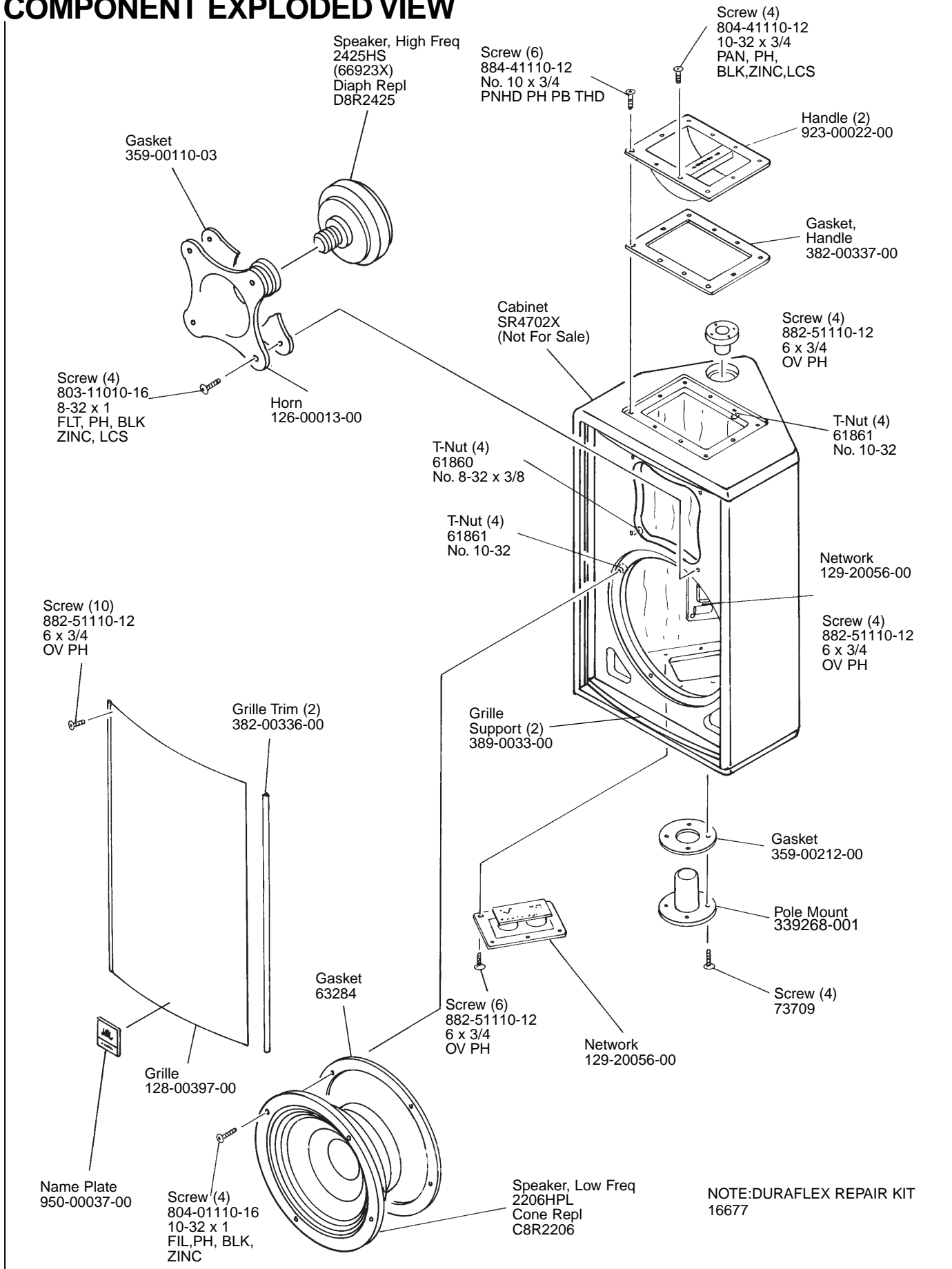


SCHEMATIC (129-20056-00)



# JBL SR4702X

## COMPONENT EXPLODED VIEW



JBLSR4702X