

Technical Manual



JBL SR4715X-1

SPECIFICATIONS

ACOUSTIC & ELECTRICAL SPECIFICATIONS:

- Nominal Impedance: 4 ohm
- Power Capacity: 1200W Continuous Pink Noise
- Frequency Range: 40 Hz – 1.1 kHz (-10 dB)
- Sensitivity: 100 dB SPL, 1 Watt @ 1 Meter
- Crossover Frequency: N/A

SYSTEM COMPONENTS:

- Cabinet: SR4715X (Not For Sale)
- Grille: 128-00424-00
- Low Frequency Transducer: 380mm (15 in.) Paper Cone Transducer (2226HPL)(2)
- DC Resistance: 5.0 ohm ±10% Aluminum Wire
- Crossover Network: 129-10041-00

AURAL SWEEP TEST SPECIFICATIONS:

- A. System Aural Sweep Test: 7.0V Input, 20 Hz to 2 kHz
- B. L.F. Aural Sweep Test: 10.0V Input, 20 Hz to 1.2 kHz

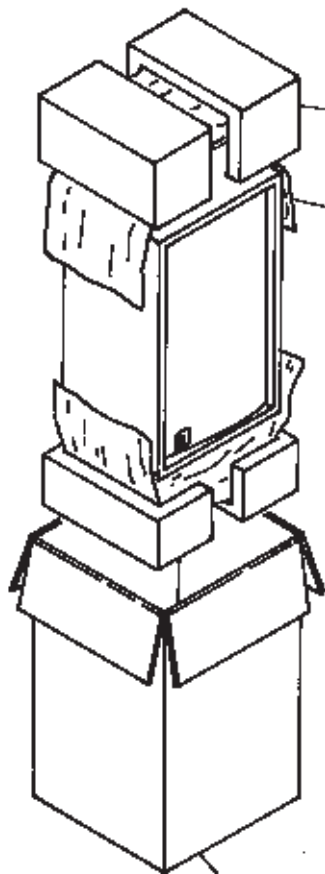
PHYSICAL SPECIFICATIONS:

- Enclosure Dimensions: 1092mm x 635mm x 460mm D (43.0 x 25.0 x 18.1 in. D)
- Shipping Weight: 160 lbs. (72.6 kg.)

WARRANTY INFORMATION:

- Refer to Warranty Statement packed with each product.

PACKAGE



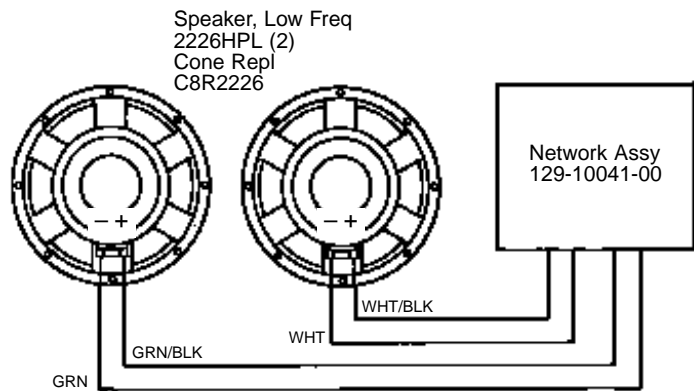
Warranty 59660
User's Guide
SR-X Series
981-00052-04

Filler, (2)
Top & Bottom
991-00198-00

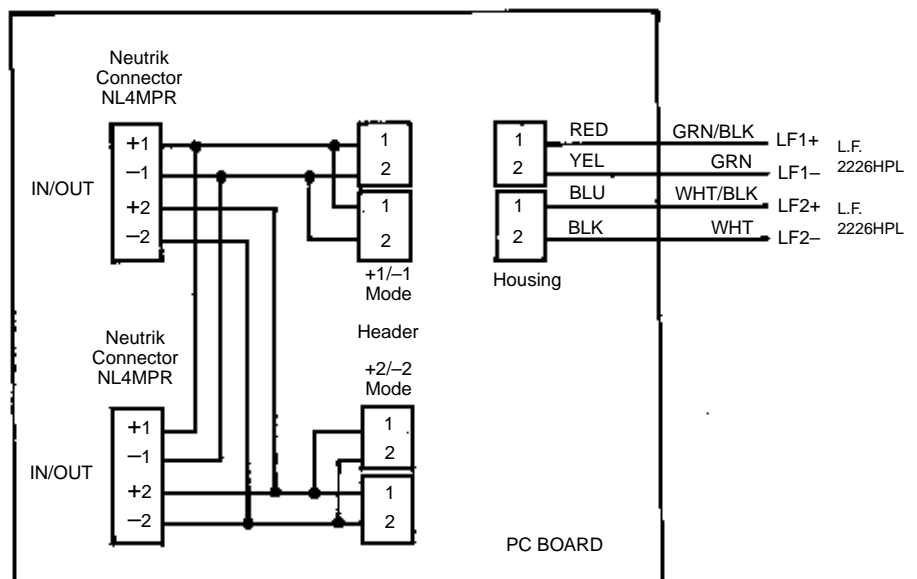
Microfoam (8)
Packaging
49790P

Carton
SR4715X
990-00201-00

WIRING DIAGRAM



SCHEMATIC (129-10041-00)



JBL SR4715X-1 REV K

JBL SR4715X-1

COMPONENT EXPLODED VIEW

