

Technical Manual

JBL SR4732X/F



SPECIFICATIONS

ACOUSTIC & ELECTRICAL SPECIFICATIONS:

- Nominal Impedance: 4 ohms
- Power Capacity: 1200W Continuous Pink Noise
- Frequency Range: 38 Hz – 21 kHz (-10dB)
- Sensitivity: 98 dB SPL, 1 Watt @ 1 Meter
- Crossover Frequencies: 1.2 kHz and 6.0 kHz

SYSTEM COMPONENTS:

- Cabinet: SR4732X (Not For Sale)
- Grille: 128-00398-00
- Low Frequency Transducer: 300mm (12 in.) Paper Cone Transducer (2206HPL) (2)
- DC Resistance: 5.3 ohm ±10% Aluminum Wire
- Mid Frequency Transducer: 38mm (1-1/2 in.) Pure Titanium Compression Driver (2447J)
- DC Resistance: 8.0 ohm ±8% Aluminum Wire
- High Frequency Transducer: Aluminum Diaphragm, Ultra High Frequency Driver (2404H-1)

SYSTEM COMPONENTS: (Cont'd)

- DC Resistance: 6.25 ohm ±8% Aluminum Wire
- Crossover Network: 129-30014-01

AURAL SWEEP TEST SPECIFICATIONS:

- A. System Aural Sweep Test: 7.0V Input, 20 Hz to 20 kHz
- B. L.F. Aural Sweep Test: 15.0V Input, 20 Hz to 1.2 kHz
- C. M.F. Aural Sweep Test: 2.0V Input, 550 kHz to 20 kHz
- D. H.F. Aural Sweep Test: 1.0V Input, 1.0 kHz to 20 kHz

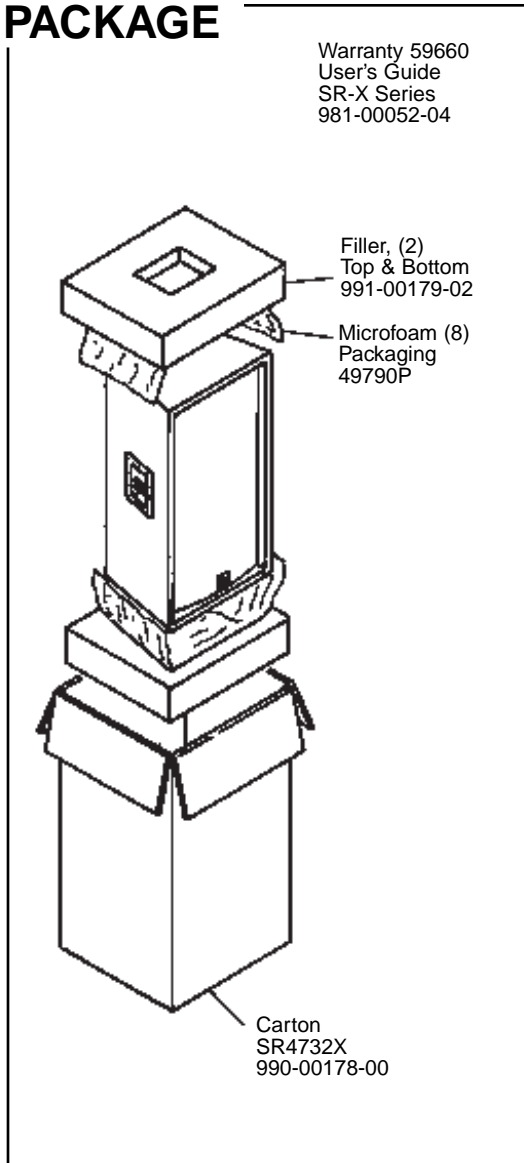
PHYSICAL SPECIFICATIONS:

- Enclosure Dimensions: 1066.8mm x 616mm x 435mm D (42.0 x 24.3 x 17.1 in. D)
- Shipping Weight: 150 lbs. (68.0 kg.)

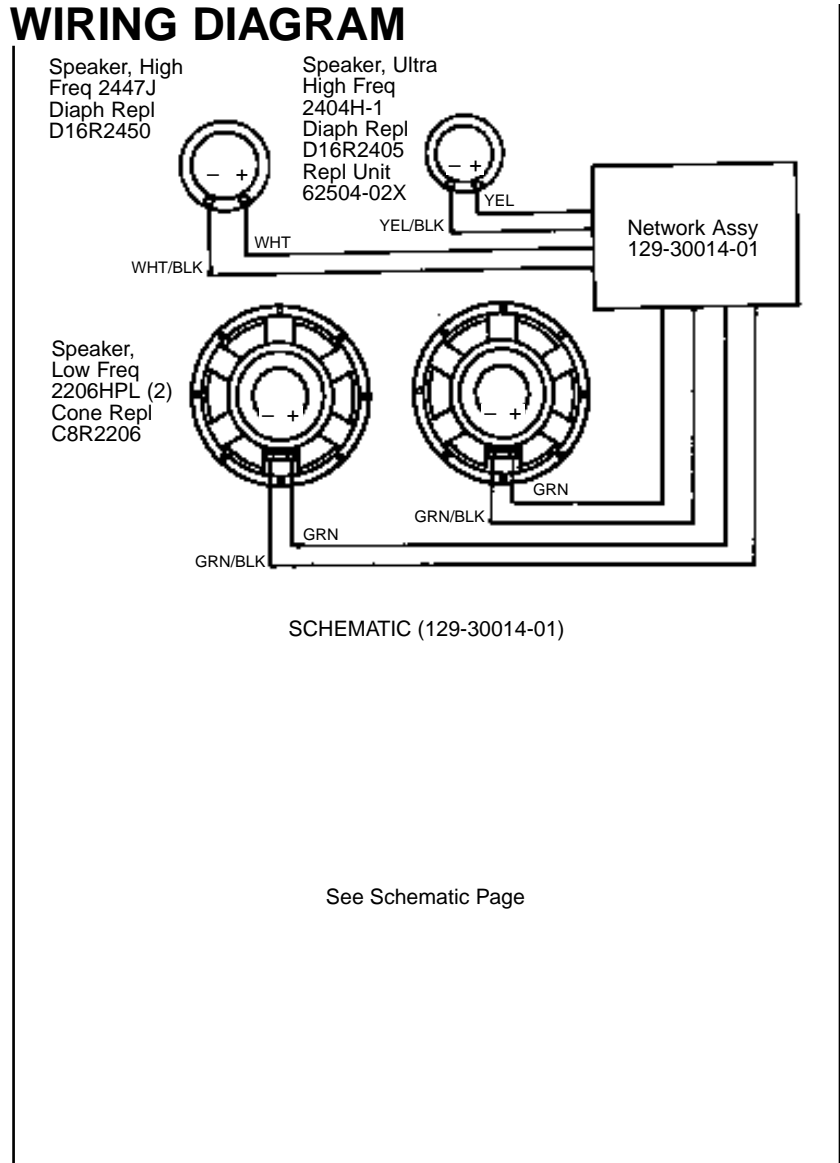
WARRANTY INFORMATION:

- Refer to Warranty Statement packed with each product.

PACKAGE



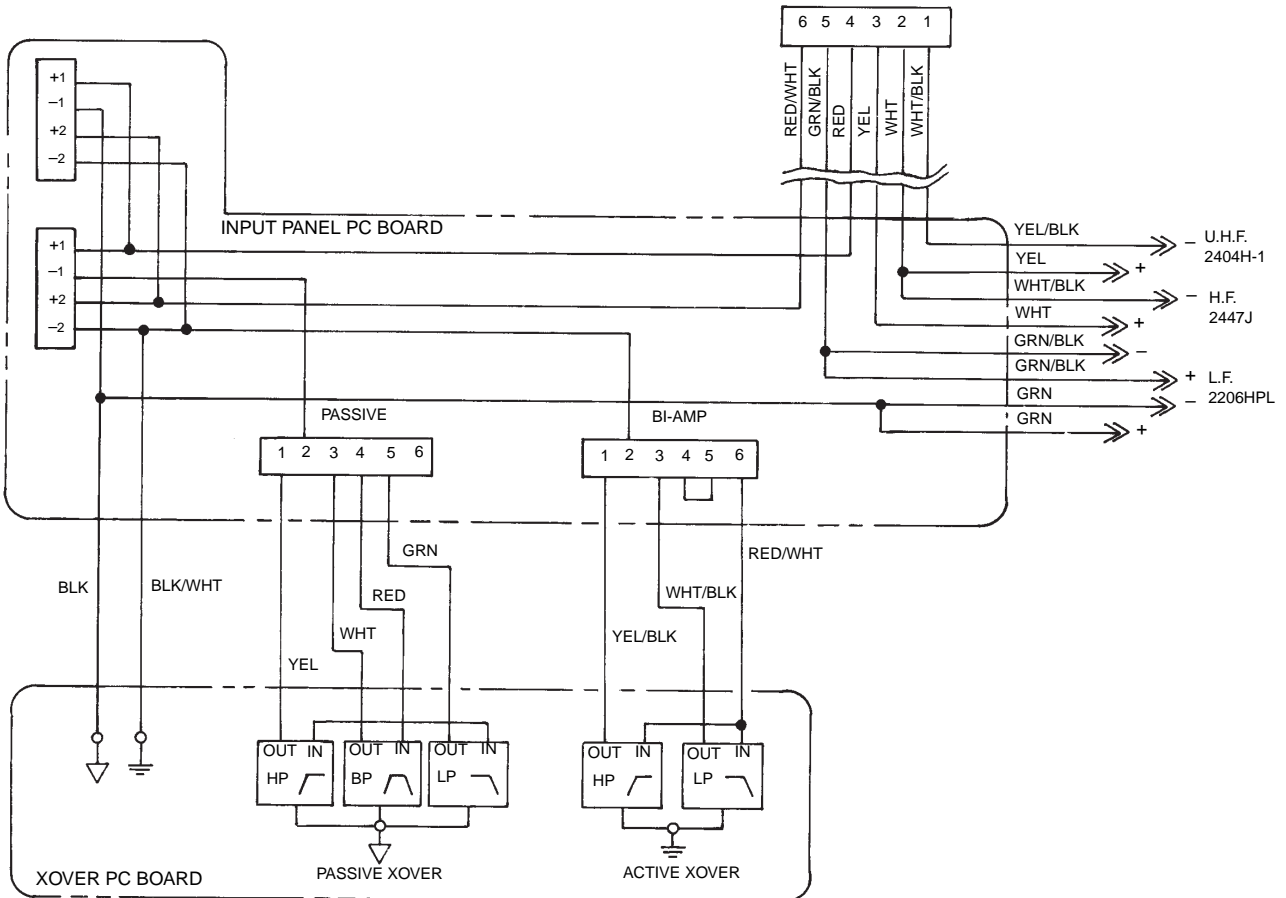
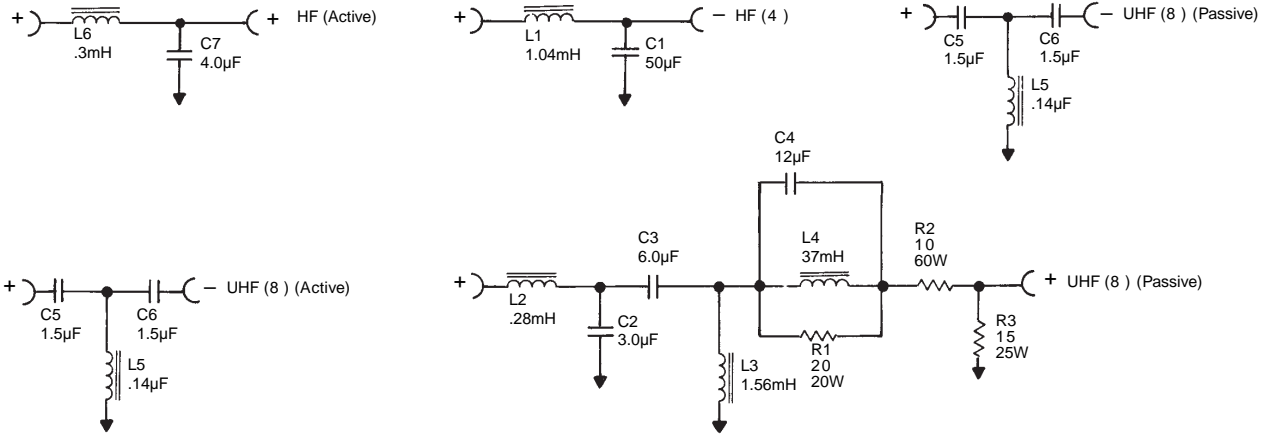
WIRING DIAGRAM



JBL SR4732X/F REV Q

JBL SR4732X/F

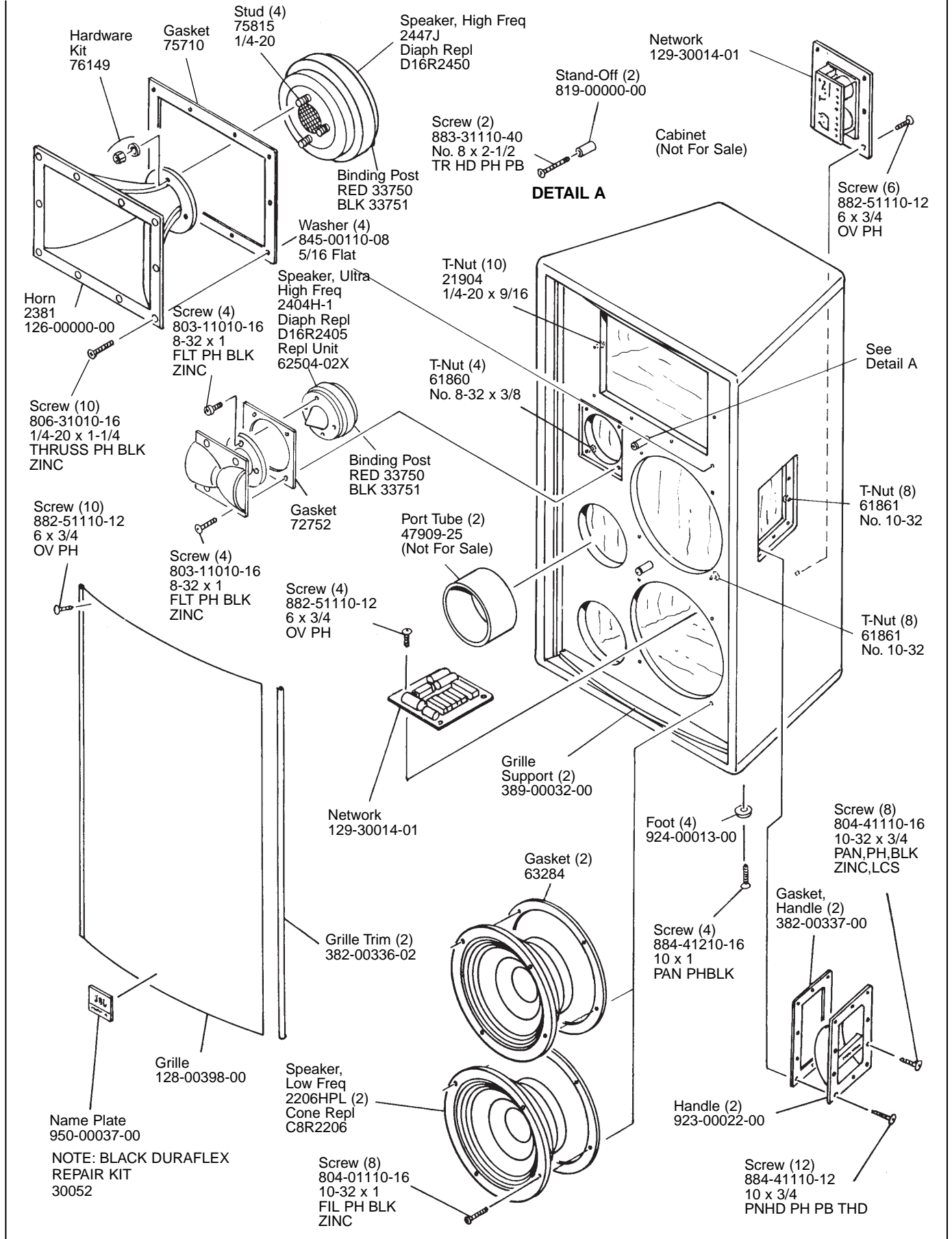
SCHEMATIC (129-30014-01)



JBL SR4732X/F

JBL SR4732X/F

COMPONENT EXPLODED VIEW



JBL SR4732X/F

CAUTION!

Suspending this system should only be done by qualified persons following safe rigging standards.

Remember: the weakest component determines the size and safety of the entire array! **CAUTION!** Before suspending any array always inspect all components of the array (enclosure, truss module, threaded fasteners, connecting hardware, and lifting hardware) for cracks, deformations, corrosion, missing or damaged parts that could reduce strength and safety of the array. Use only load rated hardware. Building structural supports and hoist motors require inspection prior to each use by knowledgeable professionals. Never exceed maximum recommended load ratings.

In the event that the track has suffered damage, replace only with the correct part (see below) from JBL professional. Replacement with parts from other sources may result in suspension failure.

Track 3" fly ware part number 390-00012-00

Track 8" fly ware part number 390-00013-00

The only fitting load-rated for over head use is a SMI (909) 878-9104 part number SM-61B "L" Double Indexing locking Swivel Ring Fitting or a ATM (310) 834-5914 part number AMTS-3SF.