

# Technical Manual

# JBL TR105



## SPECIFICATIONS

### ACOUSTIC & ELECTRICAL SPECIFICATIONS:

- Nominal Impedance: 8 ohm
- Power Capacity: Continuous Pink Noise: 225W  
Peak Pink Noise: 900W
- Frequency Range: 60 Hz to 16 kHz (-10dB)
- Sensitivity: 99 dB SPL\*
- Crossover Frequency: 2.2 kHz

### SYSTEM COMPONENTS:

- Cabinet: CTR105
- Grille: GTR105 (330713-001)
- Low Frequency Transducer: 380mm (15 in.) Cone Transducer (124-67001-00X)
- DC Resistance: 5.1 ohm
- High Frequency Transducer: 25.4mm (1 in.) Pure Titanium Compression Driver 2412H (125-10000-00X)
- DC Resistance: 3.7 ohm

\*1 Watt (2.83 V RMS) @ 1 Meter

### SYSTEM COMPONENTS: (cont'd)

- Crossover Network: (330729-001)

### AURAL SWEEP TEST SPECIFICATIONS:

- A. System Aural Sweep Test: 7.0V Input, 20 Hz to 20 kHz
- B. L.F. Aural Sweep Test: 7.0V Input, 20 Hz to 1.2 kHz
- C. H.F. Aural Sweep Test: 2.83V Input, 5.50 Hz to 20 kHz

### PHYSICAL SPECIFICATIONS:

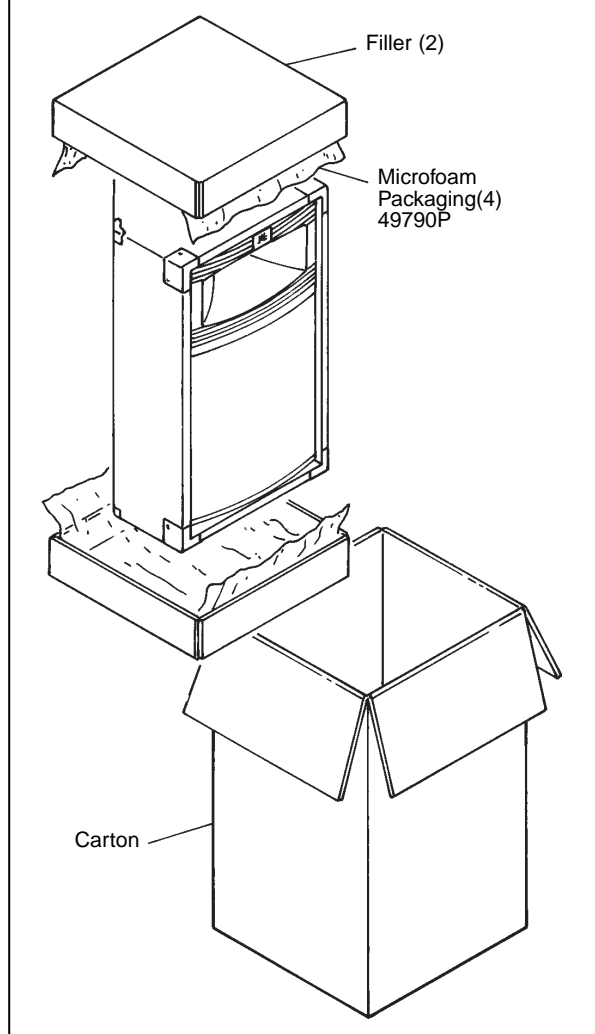
- Enclosure Dimensions:
  - Floor Monitor: 445mm x 750mm x 440mm D (17.5 x 29.5 x 17.25 in. D)
  - Speaker Monitor: 750mm x 460mm x 390mm D (29.5 x 18.0 x 15.25 in. D)
- Shipping Weight: 53 lbs. (24.1 kg.)

### WARRANTY INFORMATION:

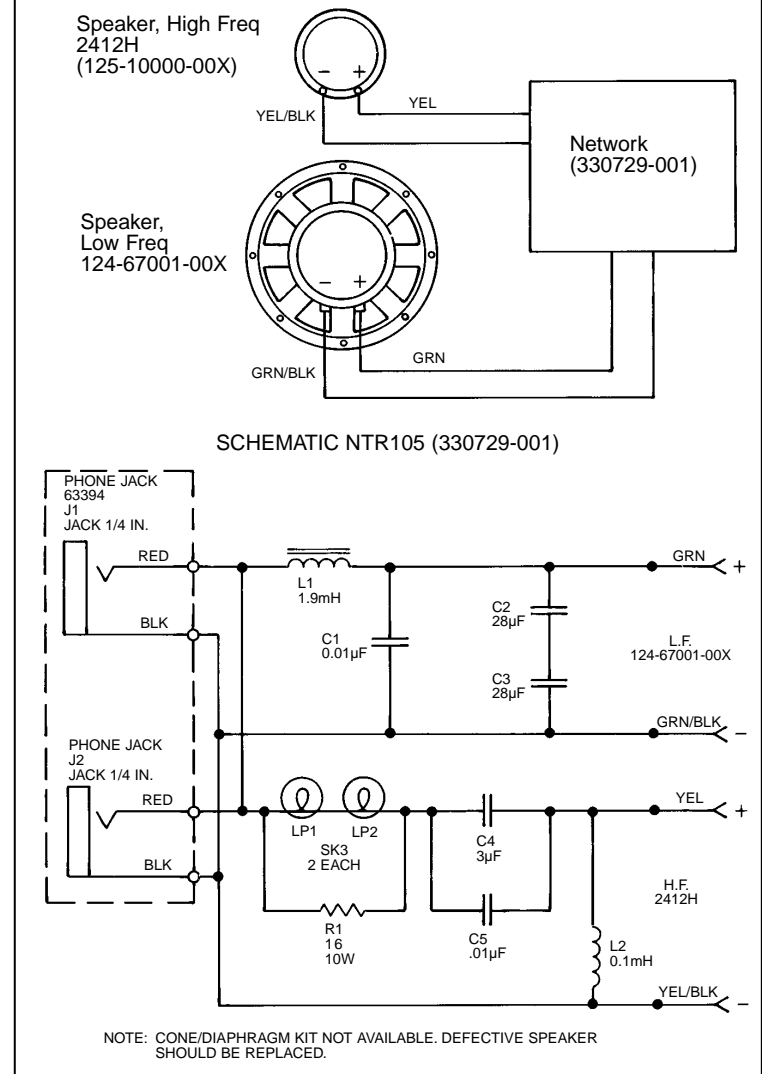
- Refer to Warranty Statement packed with each product.

## PACKAGE

Warranty 59660  
Owner's Manual 981-00020-00  
Under Pad



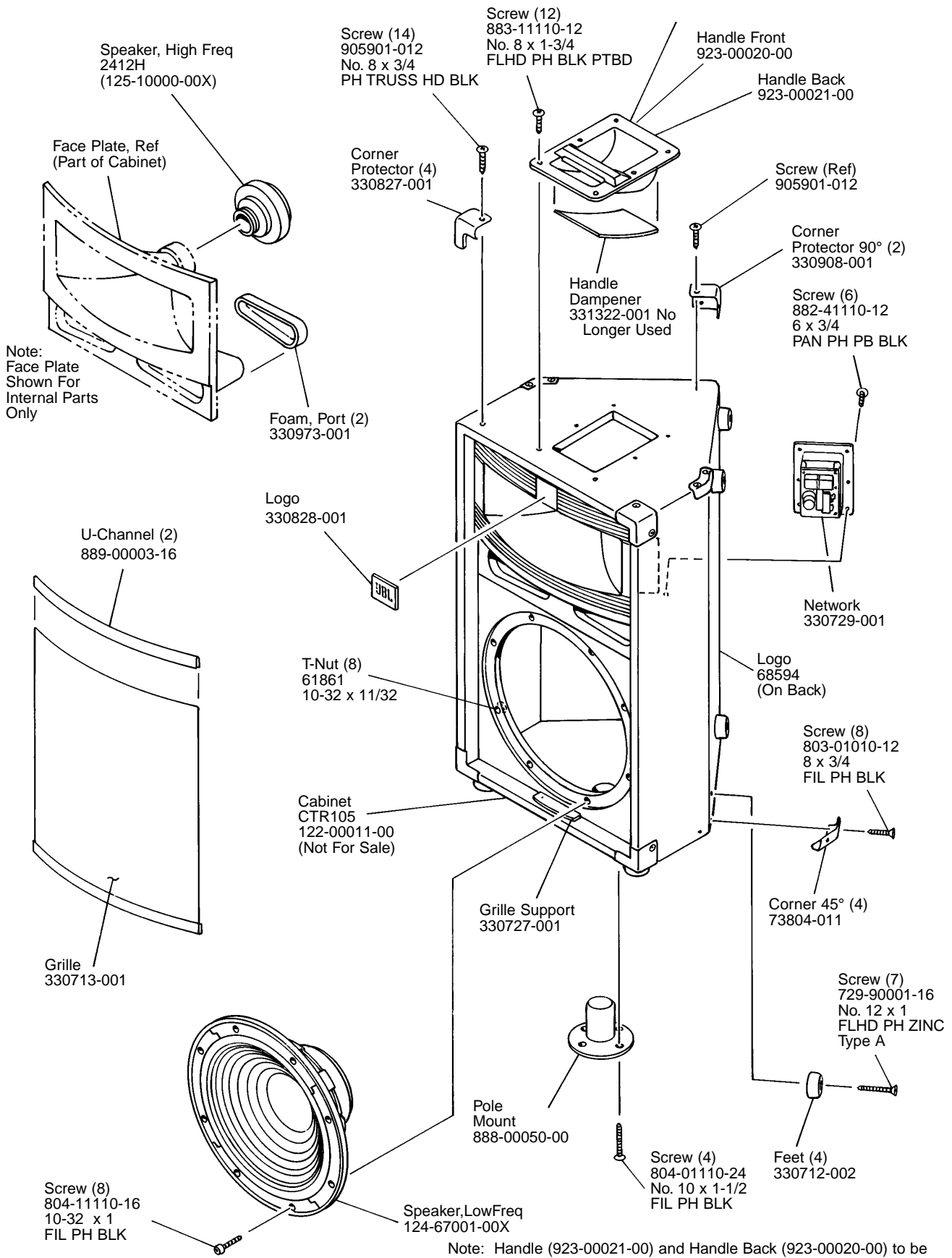
## WIRING DIAGRAM



JBL TR105 REV L

# JBL TR105

## COMPONENT EXPLODED VIEW



Note: Handle (923-00021-00) and Handle Back (923-00020-00) to be affixed together with cyanoacrylate adhesive.