

JBL

®

PROFESSIONAL

by **HARMAN**

Service Manual

VLA-C125S-BK
Dual 15" Subwoofer with
Differential Drive



HARMAN
A **SAMSUNG** COMPANY

Table of Contents

Datasheet and Spec

Exploded View

Bill of Materials

JBL Professional Engineering	Loudspeaker Engineering Design Specification	Date Effective: 8/6/2018 Date Revised: 8/6/2018	Number 1000313448 Page 1
------------------------------------	---	--	---

II

GENERAL DESCRIPTION

MODEL: VLA-C125S
DESCRIPTION: Dual 15", Subwoofer

SYSTEM COMPONENTS

LF 5029733 2275H x2 (EDS #1000098313)

ACOUSTICAL AND ELECTRICAL SPECIFICATIONS

Sensitivity – Raw pass bands	See attached curves, page 2
Frequency Response (-3dB)	62Hz – 123Hz (4 π , LF Preset) 100Hz – 1.9 kHz (4 π , Raw)
Frequency Response (-6dB)	57Hz – 158Hz (4 π , LF Preset) 73Hz – 3.0 kHz (4 π , Raw)
Frequency Response (-10dB)	52Hz – 210Hz (4 π , LF Preset) 51Hz – 3.5 kHz (4 π , Raw)
Rated Impedance	LF: 4 Ω
Minimum Impedance	LF: 3.0 Ω @ 195 Hz,
Coverage (-6dB)	Omni / 360°
Power Handling with Array preset	80Vrms / 160Vpk @ 100hrs, SMS
Maximum SPL measured with Array Preset (2m GP, NTI XL2, 12dB CF Pink Noise)	131.3 dB 4 π / 137.3 dB 2 π
System Input Type	Barrier Strip
System Polarity	All (+) polarity when driven from (+) pin.
System Protection	DSP driven
Speaker DSP File	1000336780
Engineering Test Specification:	1000313449

PHYSICAL SPECIFICATIONS

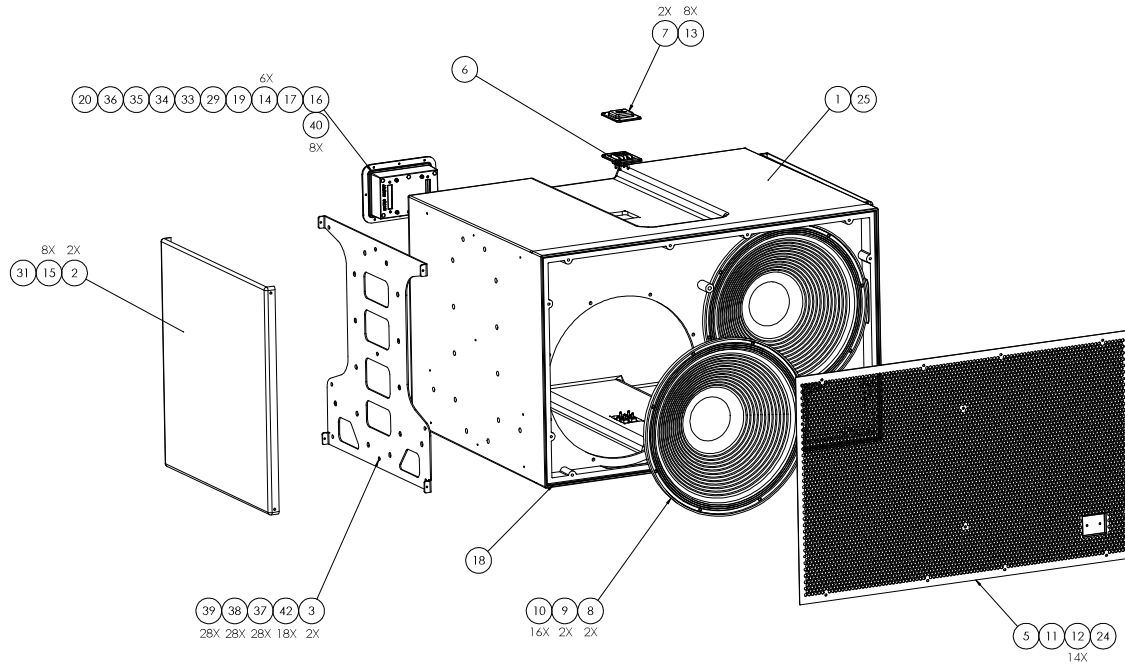
Enclosure Volume for each LF	3.8 cu.ft. / 107liters
Maximum External Dimensions (in/mm)	20.0/508 H \times 33.4/848 W \times 24.9/634 D
Weight (ea.)	125 lbs / 56.7 kg

DESIGN ENGINEER

8 7 6 5 4 3 2 1

THESE DRAWINGS AND SPECIFICATIONS ARE THE PROPERTY OF HARMAN. DO NOT DISCLOSE, REPRODUCE OR PUBLISH WITHOUT WRITTEN HARMAN APPROVAL.

REVISIONS						
CHG	LTR	DESCRIPTION	DRFT	CHK	DATE	APPR
SEE SHEET 1						



HARMAN		5300 Ford Rd #100 Fort Worth, TX 76120, USA
TITLE: S/M VLA-C125S-BK		
REV: D	DRAWING NO: 1000334747	REV: A
SCALE: 1:1		SHEET 2 of 3

8 7 6 5 4 3 2 1

Bill of Materials

Number	Name	Quantity	Unit
VLA-C125S-BK	S/M, VLA-C125S-BK		
22389P	FBRGL,1"x72",600SF/ROLL	20	Square Foot SF
315953-001	BAG,ZIPLOCK,9X12	2	each
352951-001	THREADLOCK, 9 GRAM STICK, LOCTITE 248	0.001	gram
353210-001	LF WIRE ASSY, PD5322/95 & /64	1	each
360-70002-01	GASKET, REAR 15"	2	each
364542-001	WASHER, 3/8x.875 STAINLESS NEOPRENE BACK	28	each
364835-001	GASKET, ENCLOSURE EON515	10	Lineal Foot
442545-001	10-32 X 1 1/2 socket head cap screw SS	16	each
49790P	MICROFOAM 1/32X18X20	8	each
5018271	Large Plastic Logo, STX800	1	each
5029733	M/I, 2275H	2	each
29074A	PRIMER,BOSTIK-1007A	1.1	gram
311-37002-03	CONE/COMPLIANCE 2265G-1	1	each
317-30003-01	SPIDER 2266H	1	each
337035-001	SHORT RING, 2265	1	each
337966-001	TERMINAL, ASSY NDD	1	each
339053-002	TINSEL LEAD, 2262H	1	each
351555-001	CRIMPING MATERIAL, HVNDD, 1015614BCP	2	each
353219-001	ACTIVATOR, LOCTITE 7091, VARIOUS	0.9	Milliliter
362891-001	DAMPENER, C.P. MOYEN SP-356	17	gram
362961-002	VOICE COIL ASSY, 2265H	1	each
364219-002	ACC, CYBERBOND BLAST 6003 (SAME AS -001)	1.7	gram
440906-001	ADHESIVE, LOCTITE E120	2.7	Milliliter
5021936	SHORT RING, FOR 3-INCH COIL	1	each
5021992	BACK-CASTING, 2275, 2278	1	each
5021995	POLE PLATE, FOR 3-INCH COIL	2	each
5021996	CERAMIC MAGNET, FOR 3-INCH COIL	1	each
5025149	TERMINALS HOLE COVER	1	each
5031715	LABEL, 2275H	1	each
5040782	ADH, DENKA, PURESTOR Z-220	5.5	gram
5042123	ADAPTER, 2275, 2278	1	each
5042124	TOP PLATE, 2275, 2278	2	each
63627	ADH,C.A.,SICO-MET	0.2	gram
71636-36	SHIM, 227X	0.05	Piece
71646-04	DUST DOME, 2265H,2262	1	each
71666	ADH, SPEEDBONDER 3270	8.9	ounce
72266	ADH,SICOMET,5181	3.4	gram
72591-0099	FRM 15.230OD 5.10ID3.21C/SPD DIST 6STK M	1	each
73404	GASKET, 15",SELF ADH	4	each
74822	LBL, DTC	1	each
72471	RIBBON,XFR,THRM,4.5"x1181	0.2	Meter
75225	LABEL, BLANK	1	each
863-41610-10	SCR,8-32 X 5/8,PAN,PH,TT,BLK ZINC,LCS_	2	each
864-41610-06	SCR,10-24 X 3/8,PAN,PH,TT,BLK ZC,LCS	12	each
910-00009-00	ADH, 3M3532, URETHANE W/BLK PIGMENT	3.8	ounce
910-00045-00	ADH, RTV OXIME SILICON RUBBER	0.17	gram
CONSUMABLES	ADHESIVES/PAINTS/CHEMICALS/LABELS/ETCALL	1.807	Piece
5057179	COVER, 1/2", WATERPROOF, BLK	1	each
5057643	HEYCO LIQUID TIGHT M3216, W/NUT, FOR 1/2"	1	each

5057646	GASKET, WATER SEAL, INPUT CUP	1	each
5057659	INPUT CUP ASSY, PD500	1	each
5059045	JUMPER WIRE, GREEN, PD500	1	each
5059046	JUMPER WIRE, GRN/BLK, PD500	1	each
5084049	GRILLE, VLA-C125S, BLK	1	each
5086123	COVER, 4 COND TERMINAL	2	each
5089890-00	CBL,WA,HARNESS-CUP,VLA125S	1	each
5089982-00	LBL,OVERLAY,VLA-C125S	1	each
5089985-00	HYDROMESH, VLA-C125S	1	each
5090639-00	FSTNR,WSHR,LKW,M10,SST	28	each
5090853-00	HDWR,FOAM STRIP,EDPM,1/2WD,1/16THK	0.04	Piece
5090859-00	SHPMAT,CTN	1	each
5090860-00	SHPMAT,FLR	2	each
5091587-00	FSTNR,MSCR,6-32X1,PH,TRSSH,SS	8	each
5092804-00	ADH,MULTI PURPOSE,SPRAY,TL	10	gram
5093211-00	HDW, BRKT, SIDE PLATE	2	each
5093244-00	ENCL,FG,BK	1	each
5083794	INNER PLATE, BAFFLE, VLA-C125S	1	each
5083797	INNER PLATE, ENCL, VLA-C125S	2	each
5083836	INNER TRIM, ENC, VLA-C (INPUT CUP)	1	each
5086719	INNER TRIM, 4COND TERM, VLA-C125S	2	each
5089085-00	STIFFENER ASSY, VLA-C125S	1	each
5081027	STIFFENER, BACK, VLA-C125S	1	each
334003-002	PLYWD,BALT,18mm,48"x96"	0.9697	Square Foot SF
5086717	STIFFENER, CENT, VLA-C125S	1	each
334003-002	PLYWD,BALT,18mm,48"x96"	3.2	Square Foot SF
5086718	STIFFENER, SIDE, VLA-C125S	2	each
334003-002	PLYWD,BALT,18mm,48"x96"	4	Square Foot SF
5093691-00	ENC, CVR, FG	2	each
5095213-00	LBL,PRNT,UNDERLAY,VLA-C125S-BK	1	each
5082073	LABEL, STOCK UNDERLAY, WRX INPUT CUP	0.0286	Piece
5097116-00	FSTNR,MSCR,FLH,PH,6-32x3/4in,SS	18	each
5100160-00	FSTNR,MSCR,PH-PNH,8-32X2in,SS,BLK	14	each
5101180-00	HDW, BRKT, ANGLE, VLA-C125S	2	each
5101936-00	FSTNR,MSCR,PH-PNH,6-32x5/8in,SS,BLK	8	each
5101962-00	FSTNR,MSCR,FLH,PH,6-32x1/2in,SS,BLK	6	each
5101963-00	FSTNR,MSCR,PH-PNH,8-32x1/2in,SS,BLK	8	each
818-93756-35	M-10 - 1.5 X 35MM BUT HD SOCK C/S 18-8	28	each
CONSUMABLES	ADHESIVES/PAINTS/CHEMICALS/LABELS/ETCALL	1	each