



PROFESSIONAL
by **HARMAN**

Service Manual

VPX718S

18" High-Power Subwoofer



Table of Contents

Specifications

Network Diagrams

Bill of Materials



VPX718S

18" High-Power
Subwoofer

Professional Series

Key Features:

- ▶ 18" JBL 2044G woofer for extended low frequency output
- ▶ Large vent port for reduced distortion
- ▶ Enclosure constructed of premium plywood and finished in black DuraFlex™ coating
- ▶ Heavy-duty 16-gauge protective screen backed steel grille
- ▶ Top mounted socket for use with satellite speakers
- ▶ Low profile and compact design

Applications:

- ▶ Sound reinforcement for live music and speech or pre-recorded applications
- ▶ For use with full-range satellite speakers

VPX718S is an 18" high power subwoofer system designed for live music, speech and pre-recorded applications and for use with full-range satellite speakers.

VPX718S uses an 18" (457mm) JBL 2044G woofer in a front vented enclosure to reproduce low bands with extended frequency response and low distortion, and to stand continuous power up to 500Watts.

The subwoofer system offers compatibility with a variety of cabling schemes. A pair of Neutrik® Speakon® NL-4 connectors are provided and are shipped with pins +1/-1 connected to the woofer. To meet different cabling requirements, the woofer can also be re-configured to work through pins +2/-2.

VPX718S is equipped with a 35 mm socket for installation of a full range satellite speaker weighting up to 50 kg (110 lbs). Two handles are provided for easy transit and set-up of the subwoofer. Its enclosure is made from premium plywood, finished in rugged DuraFlex™ coating and braced to maximize low frequency performance. The CNC-machined 16-gauge steel grille is backed with acoustically transparent fabrics to provide additional driver protection and give a very professional appearance.



Specifications:

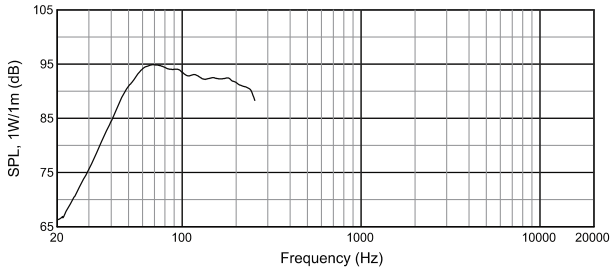
Frequency Range (-10 dB):	40 Hz - 200 Hz
Frequency Response (±3 dB):	45 Hz - 200 Hz
Input Connection Modes:	Internally configurable, +1/-1 or +2/-2
Recommended Crossover:	80 Hz, 24 - 48 dB/octave
Power Rating:	500 W/1000 W/2000 W, 2 hrs ¹
(Continuous/Program/Peak)	400 W/800 W/1600 W, 100 hrs ¹
Maximum SPL:	127 dB continuous (133 dB peak) ²
Sensitivity (1w@1m):	94 dB SPL; 100 dB SPL ²
LF Driver:	1 × 18" (457 mm) JBL 2044G woofer
Nominal Impedance:	4 Ohms
Mounting:	Top mounted 35 mm socket for optional SS3-BK pole
Enclosure:	Rectangular, 18 mm, plywood
Finish:	Black DuraFlex™ finish
Grille:	Powder coated, black, 16-gauge perforated steel with acoustically transparent black screen backing
Input Connectors:	2 × Neutrik® Speakon® NL-4
Dimensions (H × W × D):	548 mm × 533 mm × 700 mm (21.6 in × 21.0 in × 27.6 in)
Net Weight:	30.96 Kg (68.26 lbs)
Optional Accessories:	SS3-BK: Satellite speaker pole

¹ 40 Hz to 400 Hz pink noise with 6 dB crest factor for specified period
² Calculated on half space condition

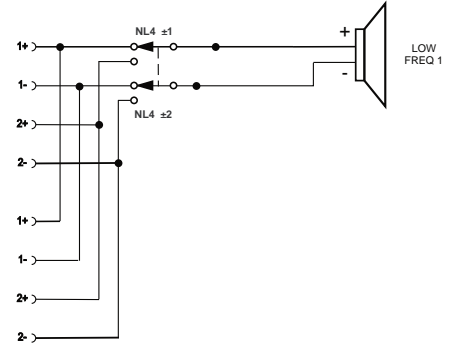
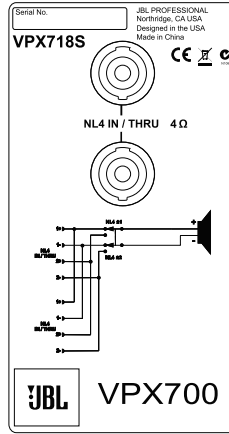
JBL continually engages in research related to product improvement. Some materials, production methods and design refinements are introduced into existing products without notice as a routine expression of that philosophy. For this reason, any current JBL product may differ in some respect from its published description, but will always equal or exceed the original design specifications unless otherwise stated.

▶ VPX718S 18" High-Power Subwoofer

Frequency Response:

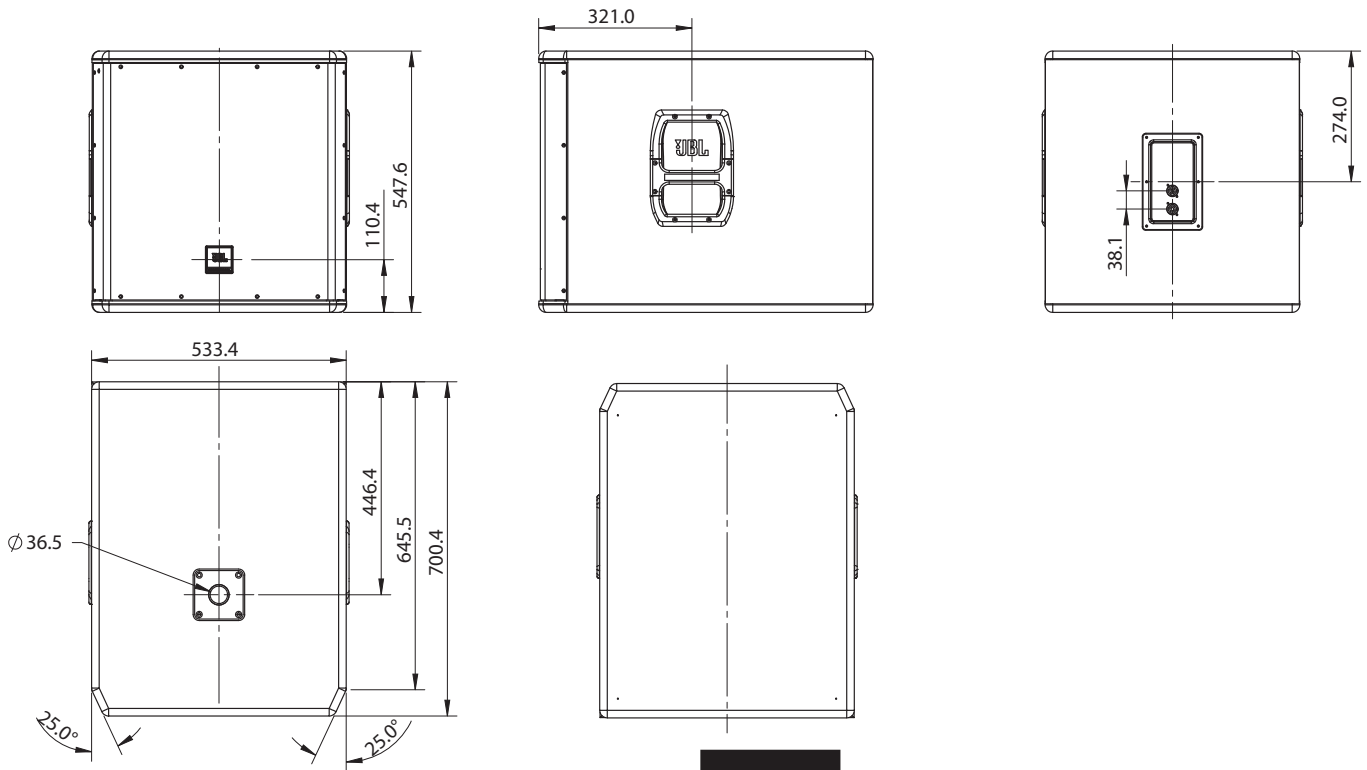


Block Diagram:



Dimensions:

Dimensions in mm

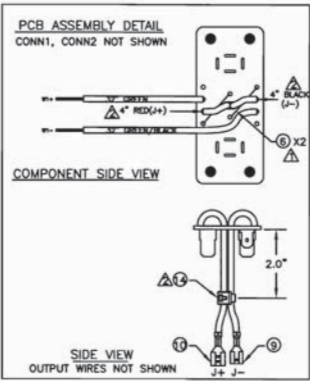
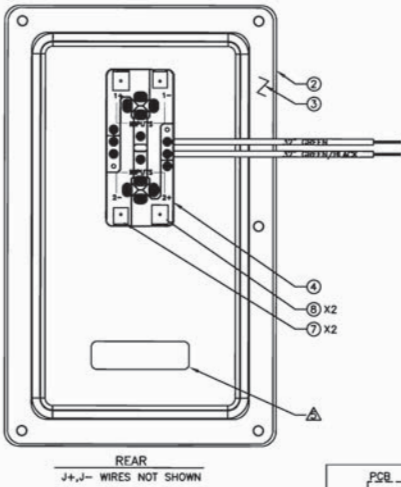
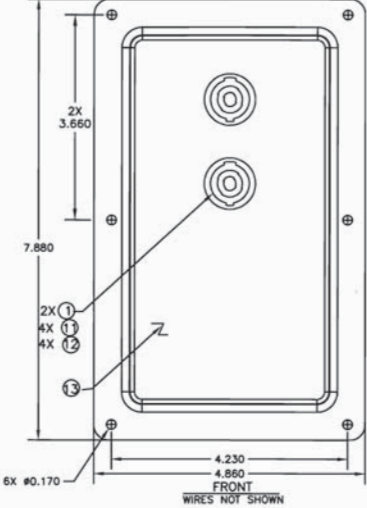


JBL Professional
8500 Balboa Boulevard, P.O. Box 2200
Northridge, California 91329 U.S.A.
© Copyright 2018 JBL Professional
www.jblpro.com

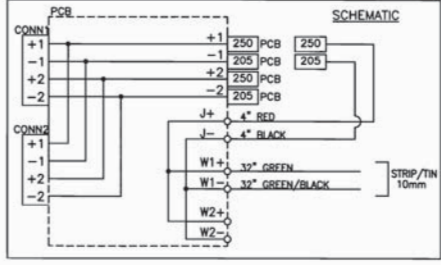
VPX718S
SZ
26/01/18

PART NO	DESCRIPTION	DESCRIPTION
364968-001	INPUT CUP, MRX518S (HADM)	091-00625A
364968-002	INPUT CUP, MRX518S (CHINA)	091-01061A

CHG	LR	DESCRIPTION	DRFT	CHK	DATE	APPN
35192	A	RELEASE FOR PRODUCTION	FL			
40054	B	RELEASE -002	FL			
00343	C	REMOVE SUPPLIER CALLOUTS, ADD PAGE 2	FL		9/27/11	WPT



ITEM	REF	DESCRIPTION
1	CONN1,2	CONNECTOR, NEUTRIK, NL4MP, BLACK
2	T/C	TERMINAL CUP, MRX, CONNX2
3	GASKET	GASKET, T/C, VRX1
4	PCB	PC BOARD, MATERIAL: CEM-1, 2 oz, SIZE: 1.20" x 2.80"
5	WIRE	WIRE, 16AWG, UL-1015
6	JMPR1,2	BUSS WIRE, 16 AWG, TB
7	205 PCB	TAB, 0.250 X 0.020, M. EYE, 90°, TBS
8	250 PCB	TAB, 0.250 X 0.032, M. EYE, 90°, TBS
9	205	FASTON, FEMALE, 0.205 X 0.020, TINNED BRASS
10	250	FASTON, FEMALE, 0.250 X 0.032, TINNED BRASS
11	SCR	SCREW, 4-40X1/2, PFH, BLACK (FOR CONN1,2)
12	NUT	NUT, HEX, NYLOC, 4-40, BLACK (FOR CONN1,2)
13	LABEL	LABEL, JBL
14	C/T	CABLE TIE, 3.25"



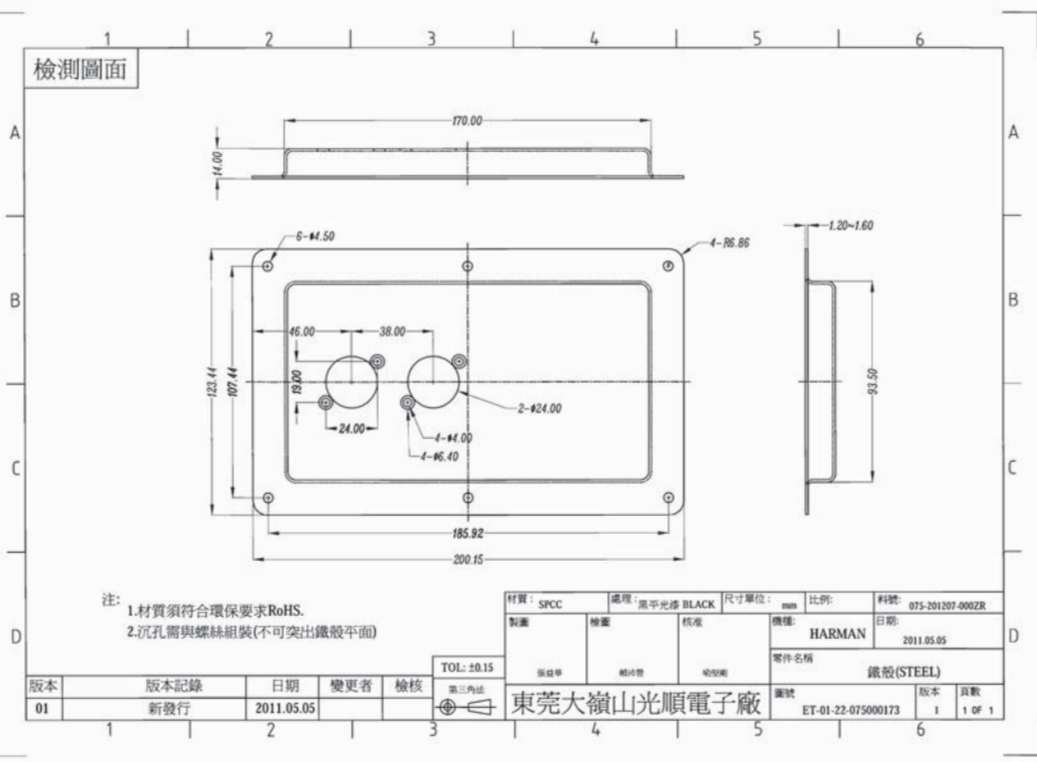
- 5. CUSTOMER P/N IS 364968-001.
- 6. IDENTIFY CUSTOMER P/N WITH PAPER LABEL.
- 4. T/C ASSEMBLY MUST BE RoHS COMPLIANT.
- 3. SHIP WITH FASTONS (ITEMS #9 AND #10) CONNECTED TO "-1" AND "+1" PCB TABS.
- 2. J+ AND J- WIRES INSERT THRU SLOT TO THE SOLDER SIDE OF PCB AND SECURE WITH CABLE TIE. SEE PCB ASSEMBLY DETAIL.
- 1. SOLDER JMPR1, JMPR2 IN POSITIONS SHOWN ON PCB ASSEMBLY DETAIL VIEW.

UNCONTROLLED COPY

REV	PART NO	DESCRIPTION	REVISIONS
1	MRX518S	INPUT CUP	364968

NOTES: (UNLESS OTHERWISE SPECIFIED)

檢測圖面



注:
 1.材質須符合環保要求RoHS.
 2.沉孔需與螺絲組裝(不可突出鐵殼平面)

材質: SPCC		處理: 黑平光漆 BLACK		尺寸單位: mm	比例:	料號: 075-201207-0002R
製圖:	繪圖:	核准:	檢定:	機種: HARMAN		日期: 2011.05.05
TOL: ±0.15				零件名稱: 鐵殼(STEEL)		
版本: 01	版本記錄: 新發行	日期: 2011.05.05	變更者:	檢核:	圖號: ET-01-22-075000173	版本: 1 / 頁數: 1 OF 1

東莞大嶺山光順電子廠

P/N	Description	Qty.	Unit
VPX718S	S/M, VPX718S		
336965-001	POLE CUP PRX	1	each
337181-001	GASKET, STAND CUP, MP SERIES	1	each
352938-005D	M/I, 2044G (CHINA)	1	each
29074A	PRIMER,BOSTIK-1007A	0.7	gram
317-30003-00	SPIDER, 2258H	1	each
323892-002	TERMINAL, DUAL	1	each
331-50000-00	BACKPLATE, PPC, 2023H 2033H	1	each
337513-001	MESH, WIRE	1	each
352859-001	ADH, MOYEN 3087	4	Milliliter
353219-001	ACTIVATOR, LOCTITE 7091, VARIOUS	1	Milliliter
362228-001	TINSEL LEAD, 140MM	2	each
440906-001	ADHESIVE, LOCTITE E120	3.5	Milliliter
443603-001	CONE ASSEMBLY, 2043 & 2044	1	each
351950-002	02043H SURROUND & CONE	1	each
58605	EYELET,GS 3-3	2	each
71396	ADH,AIRFLEX,400	0.001	ounce
CONSUMABLES	ADHESIVES/PAINTS/CHEMICALS/LABELS/ETCALL	0.32	Piece
5006634	GLUE, LOCTITE 326	2	each
5006637	CYBERBOND APOLLO BLAST 6001	8	Milliliter
5006638	DEFOAMER, SURFYNOL DF-37	0.001	gram
5012084	SERIAL NUMBER LABEL BLANK	1	each
5024020	SC97, 1MM SOLDER WIRE C512 CORE (CHINA)	3	gram
5029567	LABEL, 2044G (CHINA)	1	each
59548-03	MAGNET, 3.250ID (2VC)7.500OD 0.750THK C5	1	each
63627	ADH,C.A.,SICO-MET	2.5	gram
68719	GASKET, TERMINAL FOR 362-10007-01	1	each
71133-03	D/DOME, WATERPROOFED	1	each
71636-23	SHIM, 2251J	0.05	Piece
71848-03	GASKET, 18", SELF ADH, 2043	4	each
72266	ADH,SICOMET,5181	2	gram
72608	T/P PLD 3.120ID(3VC)7.000OD 0.500THK 6ST	1	each
72725-15	VOICE COIL, 2044G	1	each
330209-001	MOLD RELEASE311 DRY FILM VYDAX	0.01	pieces
47211-15	V/C WIRE, 24.5AWG CU	45	gram
55818-151	SUPPORT PAPER, VOICE COIL, 2044G	1	each
63083-17	TUBE, VOICE COIL, 2043	1	each
71226	TAPE, KAPTON .375 WIDTH .002THK PRESS SE	2	Inch
72980-0099	FRAME,18.250OD 7.010ID4.650C/SPDDIST6STK	1	each
73618	LBL,POLARITY	1	each
74822	LBL, DTC	1	each
72471	RIBBON,XFR,THRM,4.5"x1181	0.2	Meter
75225	LABEL, BLANK	1	each
CONSUMABLES	ADHESIVES/PAINTS/CHEMICALS/LABELS/ETCALL	3.759	Piece
353445-001	FOOT, SRX	4	each
361208-003	MRX518S,CAB ASY/BONDO,PRO	1	each
361251-002	MRX518S, TOP PNL,PRO	1	each
361251-004	MRX518S,MRX528S,BTM PNL	1	each
361329-002	MRX518S,528S,GRILLE STDOF	2	each
361421-001	MRX518S,WRAP ASSY	1	each

361424-001	MRX518S,PORT PANEL, PRO	2	each
361793-001	MRX518S,BAFFLE,PRO	1	each
362721-001	BONDO 494 DYNALITE FILLER	0.04	gallon, US
364102-001	TAPE,3M,3"x50,GRY,3903	3.048	Meter
5013163	NAIL F30 30mm LONG	16	each
5017595	MRX118S, STIFFNER 1 TOP, BOTTOM PANEL	2	each
5017596	JRX118S STIFFENER 2, TOP TO BOTTOM	1	each
5017597	JRX118S STIFFENER 3, SIDE TO SIDE	1	each
5058298	BASECOAT, BLACK CHEMTHANE 7030	0.721	gallon, US
5058299	TOPCOAT, BLACK CHEMTHANE 1400	0.064	gallon, US
61861	T-NUT,10-32	16	each
70206	ADH,JOWAT-110-60,BROWN	0.025	gallon, US
71261	ADHESIVE,URETHANE	0.12	gallon, US
804-90003-00	T-NUT, 1/4-20 X 5/16, 4 PRONG, CLR ZINC	4	each
CONSUMABLES	ADHESIVES/PAINTS/CHEMICALS/LABELS/ETCALL	24.276	Piece
362297-001	FILLER, MRX528S/MRX518S	2	each
363125-001	GASKET, HANDLE MRX	2	each
49790P	MICROFOAM 1/32X18X20	8	each
5019069	BARCODE BLANK LABEL CHINA 4SN	2	each
5081572	SPKSYS, GRILLE, ASY, MRX718S	1	each
445921-001	HDWR,SPRING,KP600	1	each
445922-001	HDWR,FSTNR,LOCK-WASHER,KP600	1	each
5081551	HDW, BDGE, FROFESSIONAL,MRX700	1	each
5081590	SPKSYS, GRL, MRX718S	1	each
5094450-00	SPKSYS, HANDLE, ASY, VPX700	2	each
362328-001	HANDLE ASSY, MRX	1	each
5095121-00	LAB, HANDLE, PMMA, VPX700	1	each
5094451-00	INPUT, TERMINAL CUP, ASY,VPX718S	1	each
5081555	TERMINAL CUP, MRX715	1	each
5094452-00	LAB, PRODUCT LABEL, VPX718	1	each
5094453-00	LAB, POP STICKER, VPX718S	1	each
5094454-00	SHPMAT,CARTON,VPX718S	1	each
5094455-00	SPEC SHEET,VPX718S	1	each
5096423-00	SHPMAT,OUTR FLR,VPX718S	2	each
60578	GASKET 2240H	4	each
65012	TAPE,PKG,3"x3000LINF	2	Meter
72471	RIBBON,XFR,THRM,4.5"x1181	4	Inch
804-01110-16	SCR,10-32 X 1,FIL,PH,BLK	8	each
804-11110-16	SCR,10-32 X 1,FLT,PH,BLK ZINC,LCS	8	each
806-11010-20	SCR,1/4-20 X 1 1/4,FLT,PH,UNC,BLK ZNC,L	4	each
882-41110-12	SCR,6X3/4",PAN,PH,PB,BLK	6	each
882-51110-12	SCR, 6 X 3/4,OV,PH,PTCL,BLK ZC,LCS	16	each
884-11110-12	SCR,10 X 3/4,FLT,PH,PB,BLK ZINC,LCS	8	each
884-41110-12	SCR,10 X 3/4,PAN,PH,PB,BLK ZINC,LCS	4	each
CONSUMABLES	ADHESIVES/PAINTS/CHEMICALS/LABELS/ETCALL	0.536	Piece