

Technical Manual

JBL VS2110/WH



SPECIFICATIONS

ACOUSTIC & ELECTRICAL SPECIFICATIONS:

- Frequency Range: 170 Hz – 18 kHz (-10dB)
- Crossover Frequency: 1.8 kHz

SYSTEM COMPONENTS:

- Cabinet: (Not For Sale)
- Grille: 128-00233-65, 128-00233-00 (Wh)
- Mid Frequency Transducer: 203mm (8 in.) Cone Transducer (M209-8A)

- Nominal Impedance: 8 ohms
- Power Capacity: 150W AES: 600W Peak
- Sensitivity: 105 dB SPL, 1 Watt @ 1 Meter
- DC Resistance: 63 ohm ± 10% Copper Wire
- High Frequency Transducer: 44mm (1.75 in.) Pure Titanium Diaphragm (2425HS)
- Nominal Impedance: 8 ohms
- Power Capacity: 50W AES: 200W Peak

SYSTEM COMPONENTS: (cont'd)

- Sensitivity: 111 dB SPL, 1 Watt @ 1 Meter
- DC Resistance: 3.2 ohm ± 8% Aluminum Wire
- Crossover Network: 129-20031-00

AURAL SWEEP TEST SPECIFICATIONS:

- A. M.F. Aural Sweep Test: 7.0V Input, 20 Hz to 20 kHz
- B. H.F. Aural Sweep Test: 2.0V Input, 550 kHz to 20 kHz

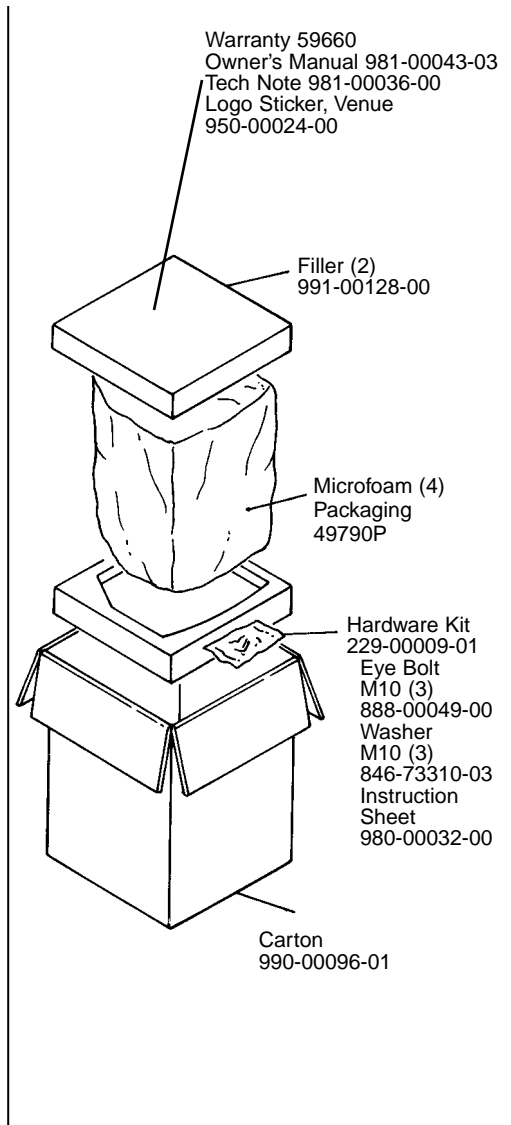
PHYSICAL SPECIFICATIONS:

- Enclosure Dimensions: 533mm x 572mm x 572mm D (21.0 x 22.50 x 22.50 in. D)
- Net Weight: 64 lbs. (29.0 kg.)

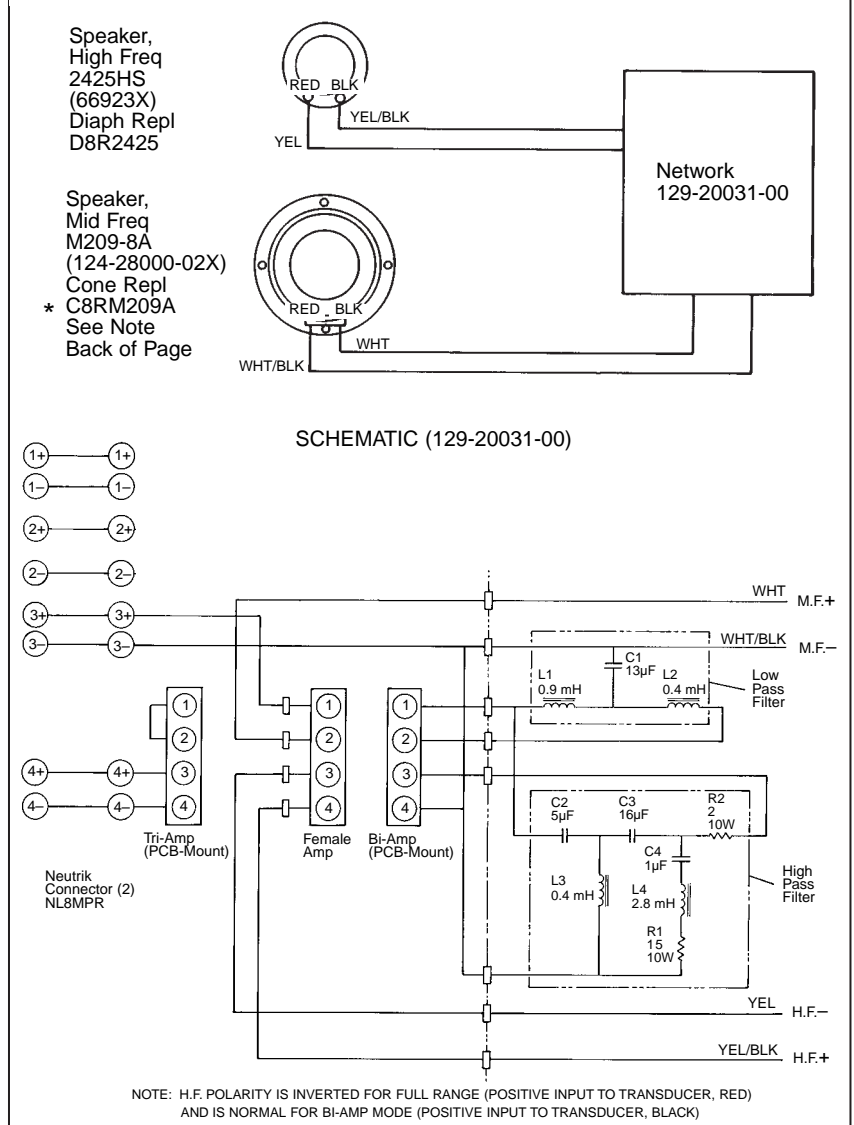
WARRANTY INFORMATION:

- Refer to Warranty Statement packed with each product.

PACKAGE



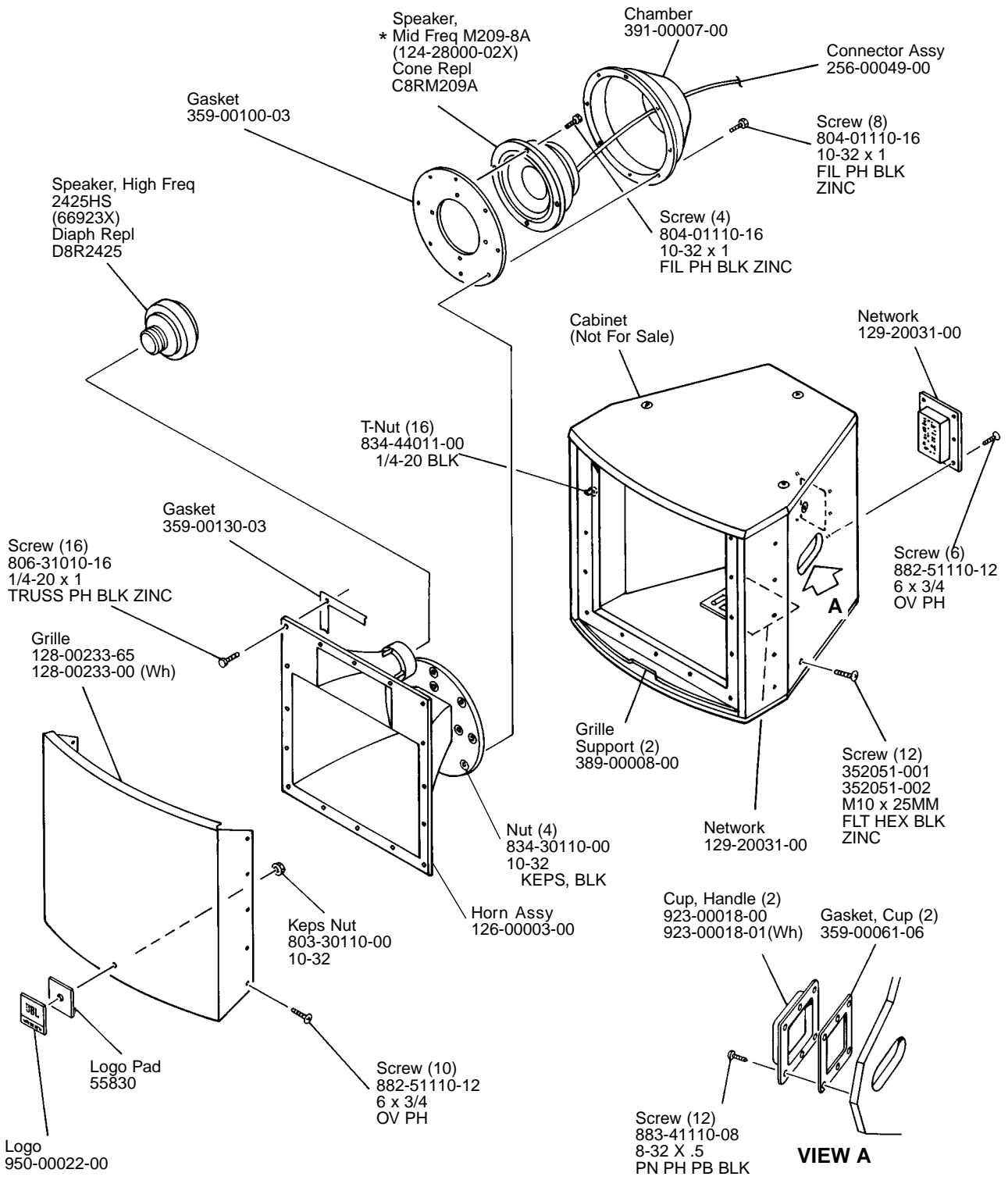
WIRING DIAGRAM



JBL VS2110/WH REV Q

JBL VS2110/WH

COMPONENT EXPLODED VIEW



Gasket
359-00100-03

Speaker,
* Mid Freq M209-8A
(124-28000-02X)
Cone Repl
C8RM209A

Chamber
391-00007-00

Connector Assy
256-00049-00

Screw (8)
804-01110-16
10-32 x 1
FIL PH BLK
ZINC

Screw (4)
804-01110-16
10-32 x 1
FIL PH BLK ZINC

Speaker, High Freq
2425HS
(66923X)
Diaph Repl
D8R2425

Cabinet
(Not For Sale)

Network
129-20031-00

T-Nut (16)
834-44011-00
1/4-20 BLK

Gasket
359-00130-03

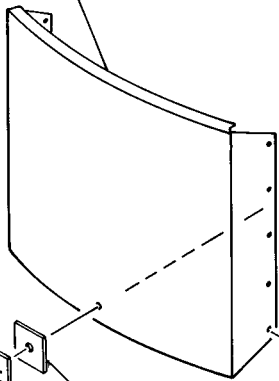
Screw (16)
806-31010-16
1/4-20 x 1
TRUSS PH BLK ZINC

Screw (6)
882-51110-12
6 x 3/4
OV PH

Grille
128-00233-65
128-00233-00 (Wh)

Grille
Support (2)
389-00008-00

Screw (12)
352051-001
352051-002
M10 x 25MM
FLT HEX BLK
ZINC



Nut (4)
834-30110-00
10-32
KEPS, BLK

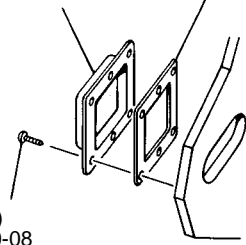
Network
129-20031-00

Keps Nut
803-30110-00
10-32

Horn Assy
126-00003-00

Cup, Handle (2)
923-00018-00
923-00018-01(Wh)

Gasket, Cup (2)
359-00061-06



VIEW A

Logo Pad
55830

Screw (10)
882-51110-12
6 x 3/4
OV PH

Screw (12)
883-41110-08
8-32 X .5
PN PH PB BLK

Logo
950-00022-00

NOTE: BLACK DURAFLEX REPAIR KIT
30052

WHITE DURAFLEX REPAIR KIT
16679

* Treated Cones:
Install Sheet 980-00037-00
WR-2 (2 oz)
WR-16 (16 oz)

JBL VS2110/WH