

Technical Manual

JBL VS3215-9/WH



SPECIFICATIONS

ACOUSTIC & ELECTRICAL SPECIFICATIONS:

- Frequency Range: 35 Hz – 18 kHz (–10dB)
- Crossover Frequencies: 300 Hz – 1.3 kHz

SYSTEM COMPONENTS:

- Cabinet: (Not For Sale)
- Grille: 128-00213-65, 128-00213-00 (Wh)
- Low Frequency Transducer: 380mm (15 in.) Cone Transducer (2227HPL)
Nominal Impedance: 8 ohms
Power Capacity: 600W AES: 2400W Peak
Sensitivity: 98 dB SPL, 1 Watt @ 1 Meter
DC Resistance: 4.7 ohm ± 10% Aluminum Wire
- Mid Frequency Transducer: 254mm (10 in.) Cone Transducer (2012HPL)
Nominal Impedance: 8 ohms
Power Capacity: 250W AES: 1000W Peak
Sensitivity: 106 dB SPL, 1 Watt @ 1 Meter
DC Resistance: 4.7 ohm ± 10% Aluminum Wire
- High Frequency Transducer: 100mm (4 in.) Pure Titanium Diaphragm (2447J)

SYSTEM COMPONENTS: (cont'd)

- Nominal Impedance: 16 ohms
- Power Capacity: 75W AES: 300W Peak
- Sensitivity: 111 dB SPL, 1 Watt @ 1 Meter
- DC Resistance: 8.0 ohm ± 8% Aluminum Wire
- Crossover Network: 129-30006-00

AURAL SWEEP TEST SPECIFICATIONS:

- A. L.F. Aural Sweep Test: 7.0V Input, 20 Hz to 1.2 kHz
- B. M.F. Aural Sweep Test: 7.0V Input, 250 Hz to 3 kHz
- C. H.F. Aural Sweep Test: 2.83V Input, 550 kHz to 20 kHz

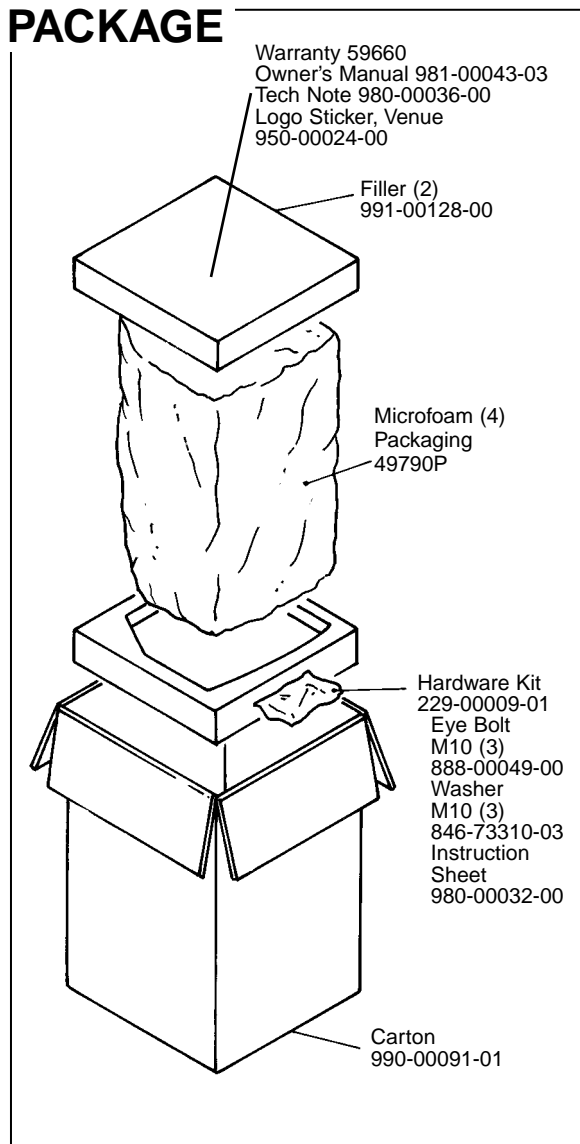
PHYSICAL SPECIFICATIONS:

- Enclosure Dimensions: 1137mm x 572mm x 572mm D (44.75 x 22.50 x 22.50 in. D)
- Net Weight: 164 lbs. (74.4 kg.)

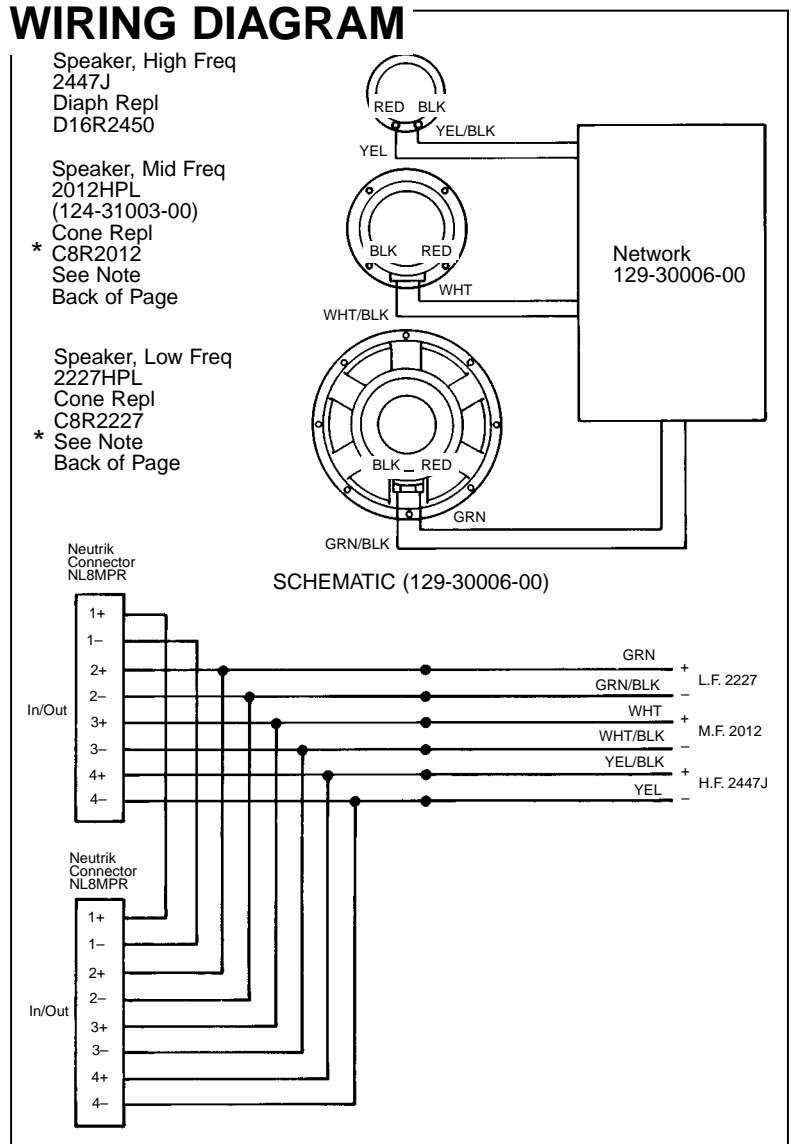
WARRANTY INFORMATION:

- Refer to Warranty Statement packed with each product.

PACKAGE



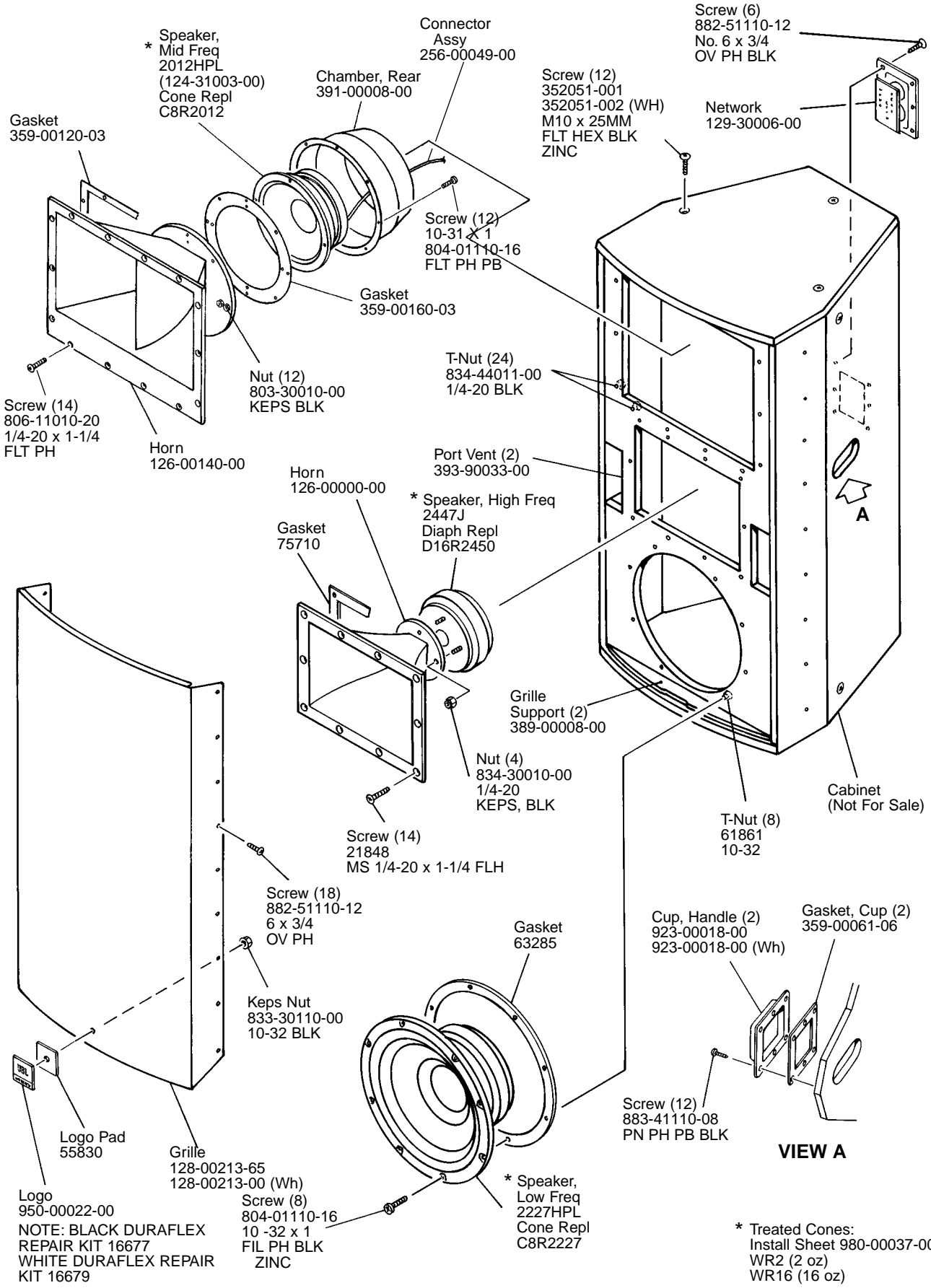
WIRING DIAGRAM



JBL VS3215-9/WH REV N

JBL VS3215-9/WH

COMPONENT EXPLODED VIEW



* Speaker, Mid Freq 2012HPL (124-31003-00) Cone Repl C8R2012

Connector Assy 256-00049-00

Screw (6) 882-51110-12 No. 6 x 3/4 OV PH BLK

Screw (12) 352051-001 352051-002 (WH) M10 x 25MM FLT HEX BLK ZINC

Network 129-30006-00

Gasket 359-00120-03

Chamber, Rear 391-00008-00

Screw (12) 10-31 x 1 804-01110-16 FLT PH PB

Gasket 359-00160-03

Nut (12) 803-30010-00 KEPS BLK

T-Nut (24) 834-44011-00 1/4-20 BLK

Screw (14) 806-11010-20 1/4-20 x 1-1/4 FLT PH

Horn 126-00140-00

Port Vent (2) 393-90033-00

Horn 126-00000-00

* Speaker, High Freq 2447J Diaph Repl D16R2450

Gasket 75710

Grille Support (2) 389-00008-00

Nut (4) 834-30010-00 1/4-20 KEPS, BLK

Cabinet (Not For Sale)

T-Nut (8) 61861 10-32

Screw (14) 21848 MS 1/4-20 x 1-1/4 FLH

Screw (18) 882-51110-12 6 x 3/4 OV PH

Gasket 63285

Cup, Handle (2) 923-00018-00 923-00018-00 (Wh)

Gasket, Cup (2) 359-00061-06

Keps Nut 833-30110-00 10-32 BLK

Screw (12) 883-41110-08 PN PH PB BLK

VIEW A

Grille 128-00213-65 128-00213-00 (Wh)

* Speaker, Low Freq 2227HPL Cone Repl C8R2227

Screw (8) 804-01110-16 10 -32 x 1 FIL PH BLK ZINC

* Treated Cones: Install Sheet 980-00037-00 WR2 (2 oz) WR16 (16 oz)

Logo Pad 55830

Logo 950-00022-00

NOTE: BLACK DURAFLEX REPAIR KIT 16677 WHITE DURAFLEX REPAIR KIT 16679

JBL VS3215-9/WH