

E.C.N.	ZONE	REV	DESCRIPTION	DATE	BY	APPROVED
JO412-7A		0	REVISIONS PER ECH	11-21-80	RTG	TLG

### CONNECTOR CHART

OUTPUT BOARD

1	CH1	CH1	CH1
2	CH2	CH2	CH2
3	CH3	CH3	CH3
4	CH4	CH4	CH4
5	CH5	CH5	CH5
6	CH6	CH6	CH6
7	CH7	CH7	CH7
8	CH8	CH8	CH8
9	CH9	CH9	CH9
10	CH10	CH10	CH10

MAIN BOARD

1	CH1	CH1	CH1
2	CH2	CH2	CH2
3	CH3	CH3	CH3
4	CH4	CH4	CH4
5	CH5	CH5	CH5
6	CH6	CH6	CH6
7	CH7	CH7	CH7
8	CH8	CH8	CH8
9	CH9	CH9	CH9
10	CH10	CH10	CH10

### CHANNEL 1

LAST USED	OBSOLETE
C159	C102, 121, 125-126, 131, 132, 142, 143
C214	C200, 308-311
C229	D300-307, 114-119
C232	D300-304
L302	
N102	N100
WREN1	PTC300
Q124	Q114
Q318	Q300
R198	R188, 170, 177, 178
R331	R300
W18	
U104	

### COMMON

LAST USED	OBSOLETE
C7	C3, 5, 6
C17	
R4	R2, 3, 5, 6, 9, 11-15
S1	
U2	

### INACTIVE

For Reference Use Only

REL FOR TOOLING	DATE	SCALE	NONE	DATE	SCALE	DATE	SCALE	DATE	SCALE
REL FOR PROD	BY J.M.	DATE 10-29-80	PROJ #	U182	PE J.W.	10-29-80	C.P.N.	REV	
AMPCHEM									

**CROWN INTERNATIONAL, INC.**  
1738 WEST MIDWAY ROAD ELKHART, IN 45517 PHONE (219) 294-0010

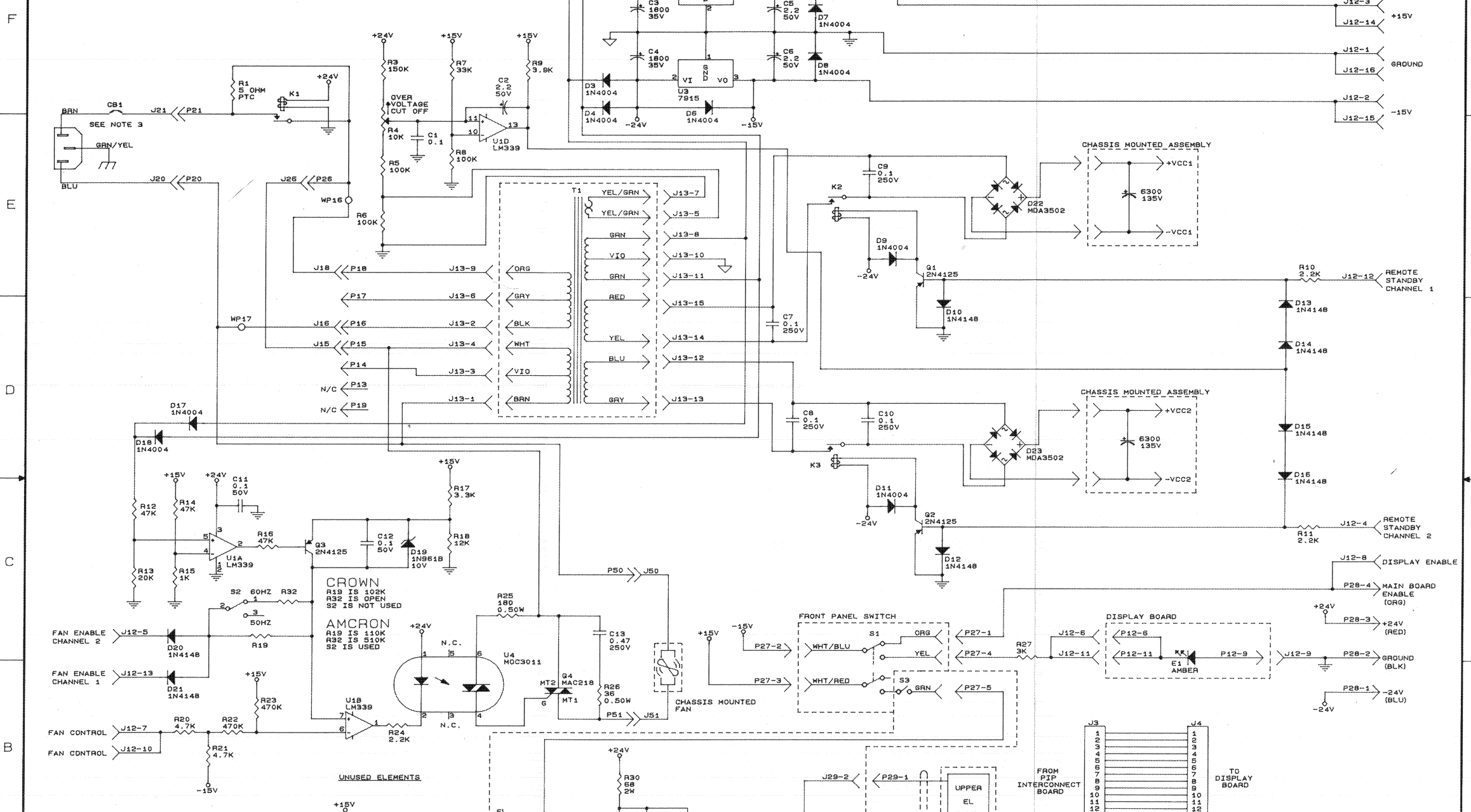
**SCHEMATIC: MR MAIN**

DRAWN	RTS	9-20-80	APPROVED BY	DO NOT SCALE PRINT
CHECKED	JF	10-29-80	HE	SUPPLIES J0390-1 2-5-80
REL FOR TOOLING	BY J.M.	DATE 10-29-80	PROJ #	U182
REL FOR PROD	BY J.M.	DATE 10-29-80	SCALE	1:1
AMPCHEM			DATE	10-29-80
			SCALE	1:1
			DATE	10-29-80
			SCALE	1:1

NEXT ASSEMBLY: JO412-7 (A)

C.P.N. J0558-7 REV

E.C.N.	ZONE	REV	DESCRIPTION	DATE	BY	APPROVALS
		0				



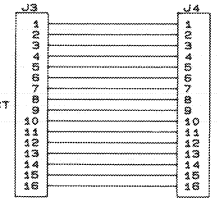
LAST USED	OBSOLETE
CB1	
C19	14, 15
D23	
E1	
K3	
G5	
R32	2
S3	
T1	
U4	
WP17	1-15

- NOTES:
1. ALL RESISTORS ARE IN OHMS, 1/4W, 5% UNLESS OTHERWISE SPECIFIED.
  2. ALL CAPACITORS ARE IN MICROFARADS UNLESS OTHERWISE SPECIFIED.
  3. CIRCUIT BREAKER RATINGS:  
30 AMP / 100V - 120V  
15 AMP / 220V - 240V

NOT USED ON AMCRON UNITS

CROWN INTERNATIONAL, INC.  
1718 WEST MISHAWAKA ROAD ELKHART, IN. 46517 PHONE (219) 294-8000

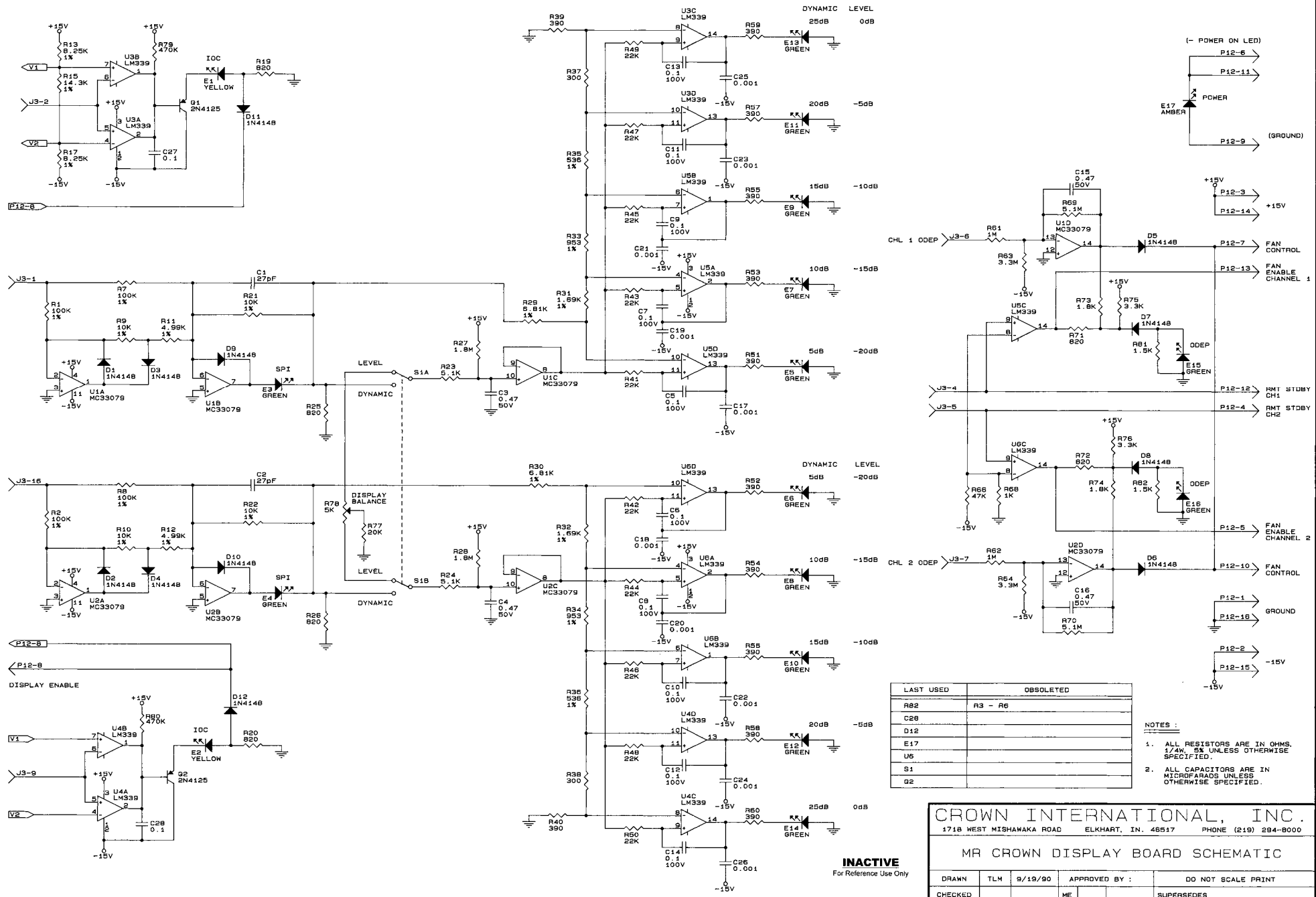
SCHEM, MR CONTROL THC			
PRINTS TO			
DRAWN	KLW	12-04-92	APPROVED BY :
CHECKED		ME	DO NOT SCALE PRINT
SCALE	NONE	EE	SUPERSEDES
PROJ #	D182	PE	E.C.N.
NEXT ASSEMBLY		RS	C.P.N.
			J0558-7
			REV



8 7 6 5 4 3 2 1

F E D C B A

E.C.N.	ZONE	REV	DESCRIPTION	DATE	BY	APPROVALS
						CK ME EE PE



LAST USED	OBSOLETE
R82	R3 - R6
C28	
D12	
E17	
U6	
S1	
Q2	

- NOTES:
- ALL RESISTORS ARE IN OHMS, 1/4W, 5% UNLESS OTHERWISE SPECIFIED.
  - ALL CAPACITORS ARE IN MICROFARADS UNLESS OTHERWISE SPECIFIED.

**CROWN INTERNATIONAL, INC.**  
 1718 WEST MISHAWAKA ROAD ELKHART, IN. 46517 PHONE (219) 294-8000

**MR CROWN DISPLAY BOARD SCHEMATIC**

DRAWN	TLM	9/19/90	APPROVED BY :	DO NOT SCALE PRINT
CHECKED			ME	SUPERSEDES
SCALE	NONE	EE		E.C.N. 90-618
REL FOR TOOLING BY		DATE		
REL FOR PROD BY	RGG	DATE 11-6-90	PROJ # D182	PE RGG 11-6-90
AMPDESIGN			NEXT ASSEMBLY	C.P.N. J0410-1

**INACTIVE**  
For Reference Use Only

F  
E  
D  
C  
B  
A

F  
E  
D  
C  
B  
A

8

7

6

5

3

2

1

8

7

6

5

3

2

1