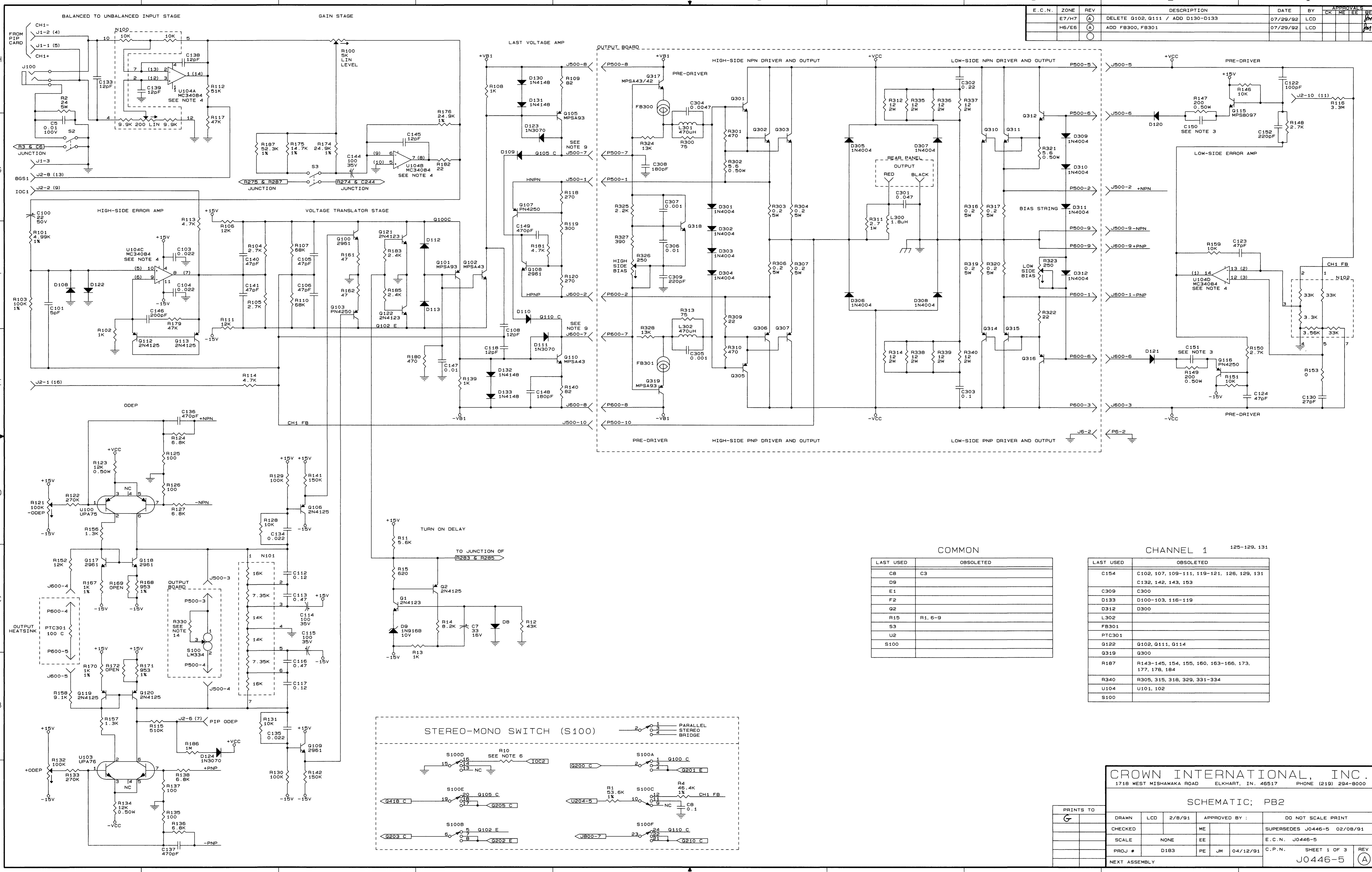


E. C. N.	ZONE	REV	DESCRIPTION	DATE	BY	CHK	ME	EE	REV
	E7/H7	(A)	DELETE Q102, Q111 / ADD D130-D133	07/29/92	LCD				
	H6/E6	(A)	ADD FB300, FB301	07/29/92	LCD				



COMMON

LAST USED	OBSOLETE
CB	C3
D9	
E1	
F2	
G2	
R15	R1, 6-9
S3	
U2	
S100	

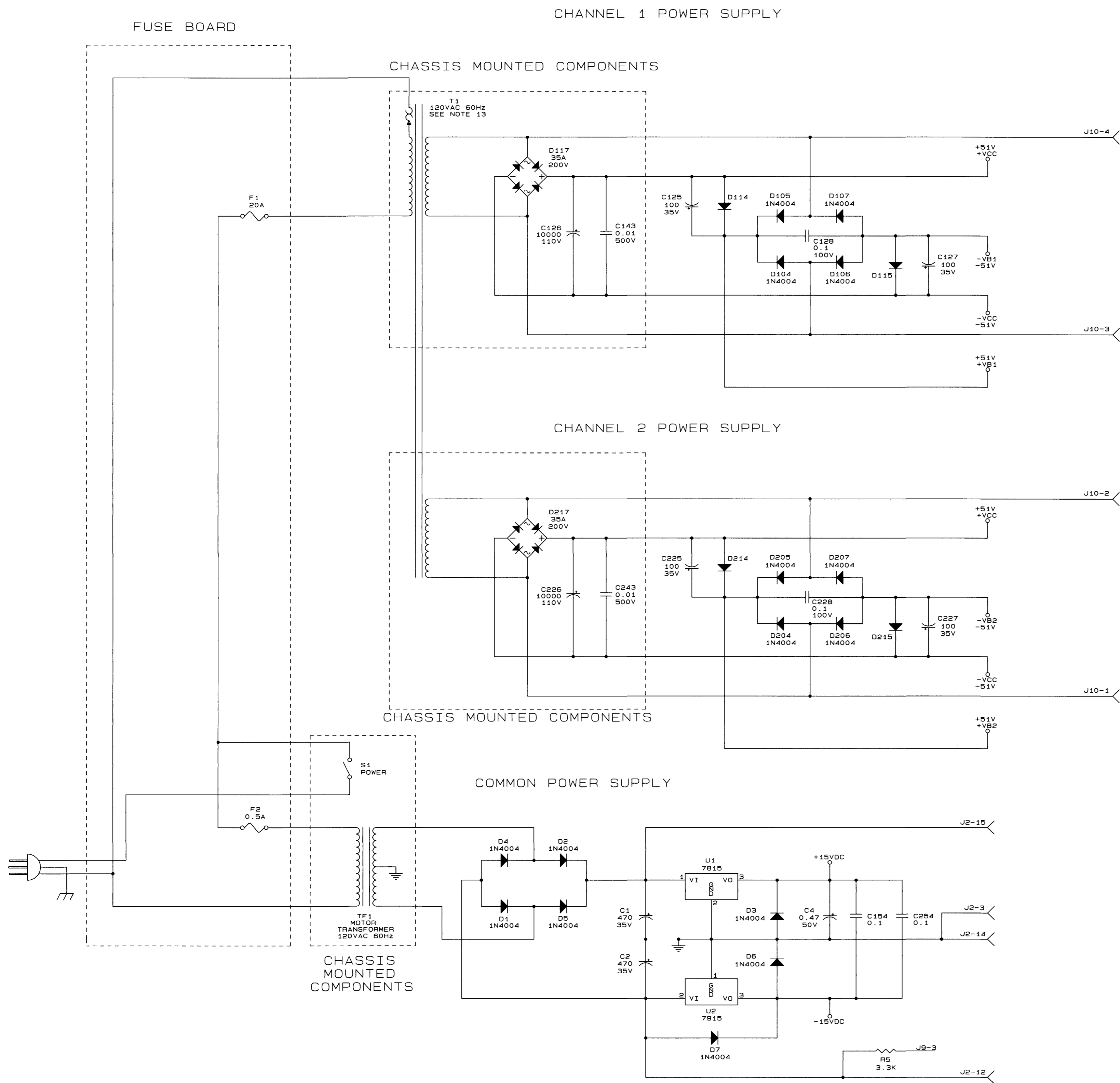
CHANNEL 1 125-129, 131

LAST USED	OBSOLETE
C154	C102, 107, 109-111, 119-121, 126, 129, 131
C309	C132, 142, 143, 153
D133	D100-103, 116-119
D312	D300
L302	
FB301	
PTC301	
Q122	Q102, Q111, Q114
Q319	Q300
R187	R143-145, 154, 155, 160, 163-166, 173, 177, 178, 184
R340	R305, 315, 318, 329, 331-334
U104	U101, 102
S100	

CROWN INTERNATIONAL, INC.
 1718 WEST MISHAWAKA ROAD ELKHART, IN. 46517 PHONE (219) 294-8000

SCHEMATIC: PB2

PRINTS TO	DRAWN LCD 2/8/91	APPROVED BY :	DO NOT SCALE PRINT
CHECKED	ME		SUPERSEDES J0446-5 02/08/91
SCALE	NONE	EE	E. C. N. J0446-5
PROJ #	D183	PE JM 04/12/91	C.P.N. SHEET 1 OF 3
NEXT ASSEMBLY			J0446-5 (A)



CONNECTOR PIN IDENTIFICATION

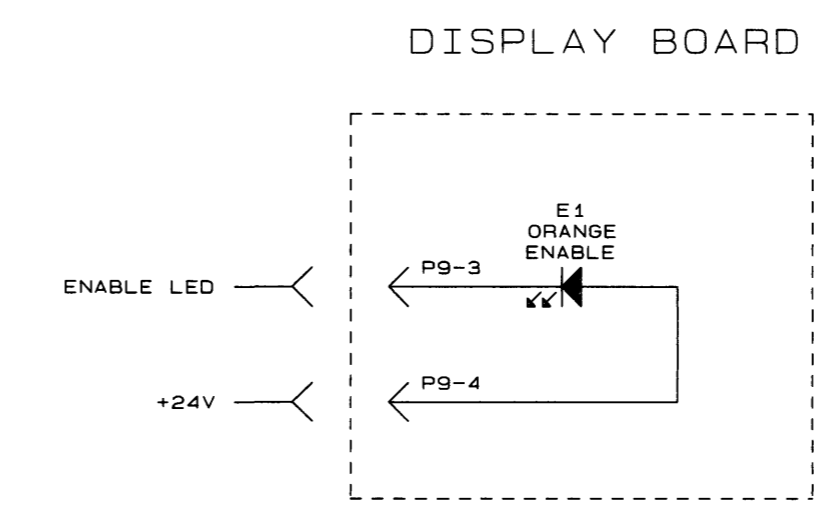
CHANNEL 1 OUTPUT BOARD J500		CHANNEL 2 OUTPUT BOARD J700	
1	CURRENT LIMIT SENSE	1	CURRENT LIMIT SENSE
2	-NPN SENSE	2	-NPN SENSE
3	-ODEP	3	-ODEP
4	+ODEP	4	+ODEP
5	+VCC	5	+VCC
6	CH1 +LS DRIVE	6	CH2 +LS DRIVE
7	+LVA	7	+LVA
8	+VB1	8	+VB2
9	-NPN SENSE	9	-NPN SENSE
10	CH1 FEEDBACK	10	CH2 FEEDBACK

CHANNEL 1 OUTPUT BOARD J600		CHANNEL 2 OUTPUT BOARD J800	
1	-PNP SENSE	1	-PNP SENSE
2	-CURRENT SENSE	2	-CURRENT SENSE
3	-VCC	3	-VCC
4	-PTC	4	-PTC
5	+PTC	5	+PTC
6	CH1 -LS DRIVE	6	CH2 -LS DRIVE
7	+LVA	7	+LVA
8	-VB1	8	-VB2
9	+PNP SENSE	9	+PNP SENSE
10	CH1 FEEDBACK	10	CH2 FEEDBACK

J10		J9	
1	CH2 BOOST SOURCE (AC)	1	-VCC CH2
2	CH1 BOOST SOURCE (AC)	2	-VCC CH1
3		3	ENABLE LED
4		4	+24V
		5	CH2 BOOST SOURCE (AC)
		6	CH1 BOOST SOURCE (AC)

- NOTES :**
- ALL RESISTORS ARE IN OHMS, 1/4W, 5% UNLESS OTHERWISE SPECIFIED.
 - ALL CAPACITORS ARE IN MICROFARADS UNLESS OTHERWISE SPECIFIED.
 - VALUES SELECTED AS NEEDED FOR DIFFERENT OP AMP CHARACTERISTICS.
 - CHANNEL 2 IS SHOWN ON SHEET 3. WHEN SHEET 3 IS NOT PRINTED, THEN FOR CHANNEL 2 ADD 100 TO REFERENCE DESIGNATORS. (EXAMPLE: CHANNEL 1 R101 WOULD BE CHANNEL 2 R201.) CONNECTOR AND IC PIN NUMBERS FOR CHANNEL 2 ARE SHOWN IN PARENTHESIS WHEN THEY DIFFER FROM CHANNEL 1. EXCEPTIONS ARE CHAN 1 R2 CORRESPONDS TO CHAN 2 R3, CHAN 1 C5 CORRESPONDS TO CHAN 2 C6, CHAN 1 J600 CORRESPONDS TO CHAN 2 J700, AND CHAN 1 J500 CORRESPONDS TO CHAN 2 J800.
 - ALL DIODES ARE 1N4148 UNLESS OTHERWISE SPECIFIED.
 - ON J500 AND J700 THE STRIPED WIRE GOES TO PIN 10 OF THE BOARD AND THE PIN NUMBERS MOLDED ON THE CABLE SOCKET ARE REVERSED FROM THE PIN NUMBERS ON THE BOARD AND THE SCHEMATIC.
 - STANDARD UNIT HAS R10 OPEN, INSTALL JUMPER IN R10 TO DISABLE CHANNEL 2 IOC LIGHT IN PARALLEL MONO MODE.
 - POWER SUPPLY VOLTAGES SHOWN UNDER NO LOAD/NO SIGNAL CONDITIONS. UNDER HEAVY LOAD AND AT SIGNAL PEAKS, +VB1 AND -VB1 SAG ABOUT 0.5 VOLT LESS THAN +VCC AND -VCC.
 - CHANNEL 2 PRE-DRIVER BASES LOOP THROUGH STEREO-MONO SWITCH S100, SECTIONS E AND F.
 - THERE ARE TWO S100. S100 ON MAIN BOARD IS A SWITCH. S100 ON THE OUTPUT BOARD IS A TEMPERATURE SENSOR.
 - THIS SCHEMATIC APPLIES TO AMPLIFIERS USING MAIN BOARD D7251-B/042818-7 WHICH STARTS AT SERIAL NUMBER 030502.
 - P9 ON DISPLAY BOARD IS SILK SCREENED J1 ON CIRCUIT BOARD.
 - T100 INCLUDES AN INTERNAL THERMAL SWITCH.
 - R330 VALUE DEPENDS ON GRADE OF SENSOR S100 AS FOLLOWS:

GRADE OF SENSOR S100	VALUE OF RESISTOR R330		
BLUE	107 OHM	1%	0.25W
GREEN	102 OHM	1%	0.25W
YELLOW	100 OHM	1%	0.25W
 - D130 AND D131 ARE INSTALLED WHERE THE BOARD SCREENPRINT SAYS Q104.
 - D132 AND D133 ARE INSTALLED WHERE THE BOARD SCREENPRINT SAYS Q111.

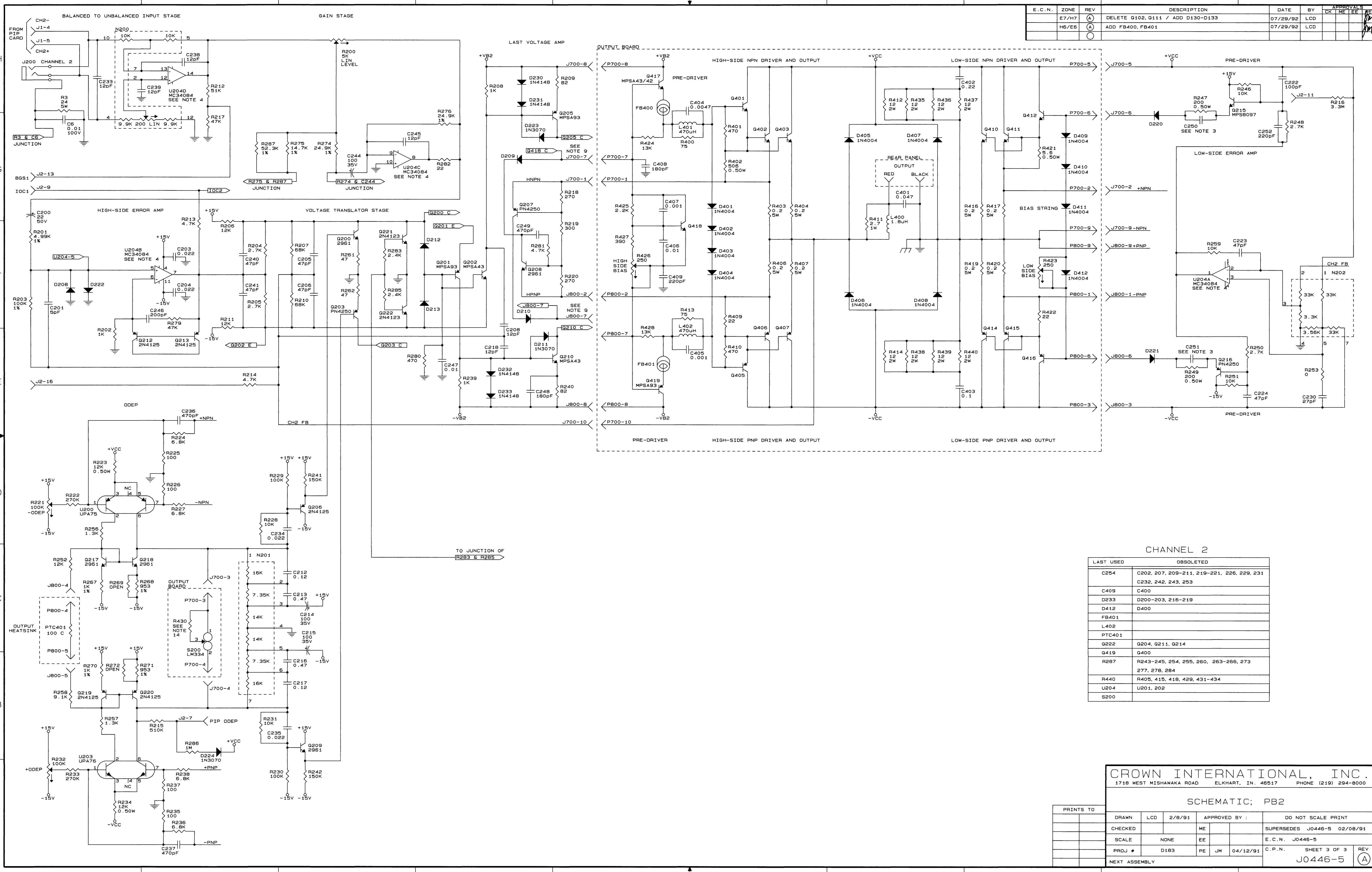


CROWN INTERNATIONAL, INC.
 1718 WEST MISHAWAKA ROAD ELKHART, IN. 46517 PHONE (219) 294-8000

SCHEMATIC; PB2

PRINTS TO	DRAWN	LCD	2/8/91	APPROVED BY :	DO NOT SCALE PRINT
CHECKED				ME	SUPERSEDES J0446-5 02/08/91
SCALE	NONE			EE	E.C.N. J0446-5
PROJ #	D183	PE	JM	04/12/91	C.P.N. SHEET 2 OF 3
NEXT ASSEMBLY					J0446-5 (A)

E. C. N.	ZONE	REV	DESCRIPTION	DATE	BY	APPROVALS
	E7/H7	(A)	DELETE Q102, Q111 / ADD D130-D133	07/29/92	LCD	
	H6/E6	(A)	ADD FB400, FB401	07/29/92	LCD	



CHANNEL 2

LAST USED	OBSOLETE
C254	C202, 207, 209-211, 219-221, 226, 229, 231
C409	C232, 242, 243, 253
D233	D200-203, 216-219
D412	D400
FB401	
L402	
PTC401	
Q222	Q204, Q211, Q214
Q419	Q400
R287	R243-245, 254, 255, 260, 263-266, 273, 277, 278, 284
R440	R405, 415, 418, 429, 431-434
U204	U201, 202
S200	

CROWN INTERNATIONAL, INC.
1718 WEST MISHAWAKA ROAD ELKHART, IN. 46517 PHONE (219) 294-8000

SCHEMATIC; PB2

PRINTS TO	DRAWN	LCD	2/8/91	APPROVED BY :	DO NOT SCALE PRINT
CHECKED	ME			SUPERSEDES	JO446-5 02/08/91
SCALE	NONE	EE		E. C. N.	JO446-5
PROJ #	D183	PE	JM	04/12/91	C. P. N. SHEET 3 OF 3
NEXT ASSEMBLY					JO446-5 (A)