

DRAWING NUMBER ISSUE

S-C650AS-03



Crown Audio, Inc.
P.O. Box 1000
Elkhart, IN 46515-1000
U.S.A.
Ph: 219-294-8000

A Harman International Company

TITLE: PULSE 2x650 AMPLIFIER

SHEET 1

FILENAME:

DRAWN: BPV

DATE: 04/01/00

CHECKED:

MATERIAL:

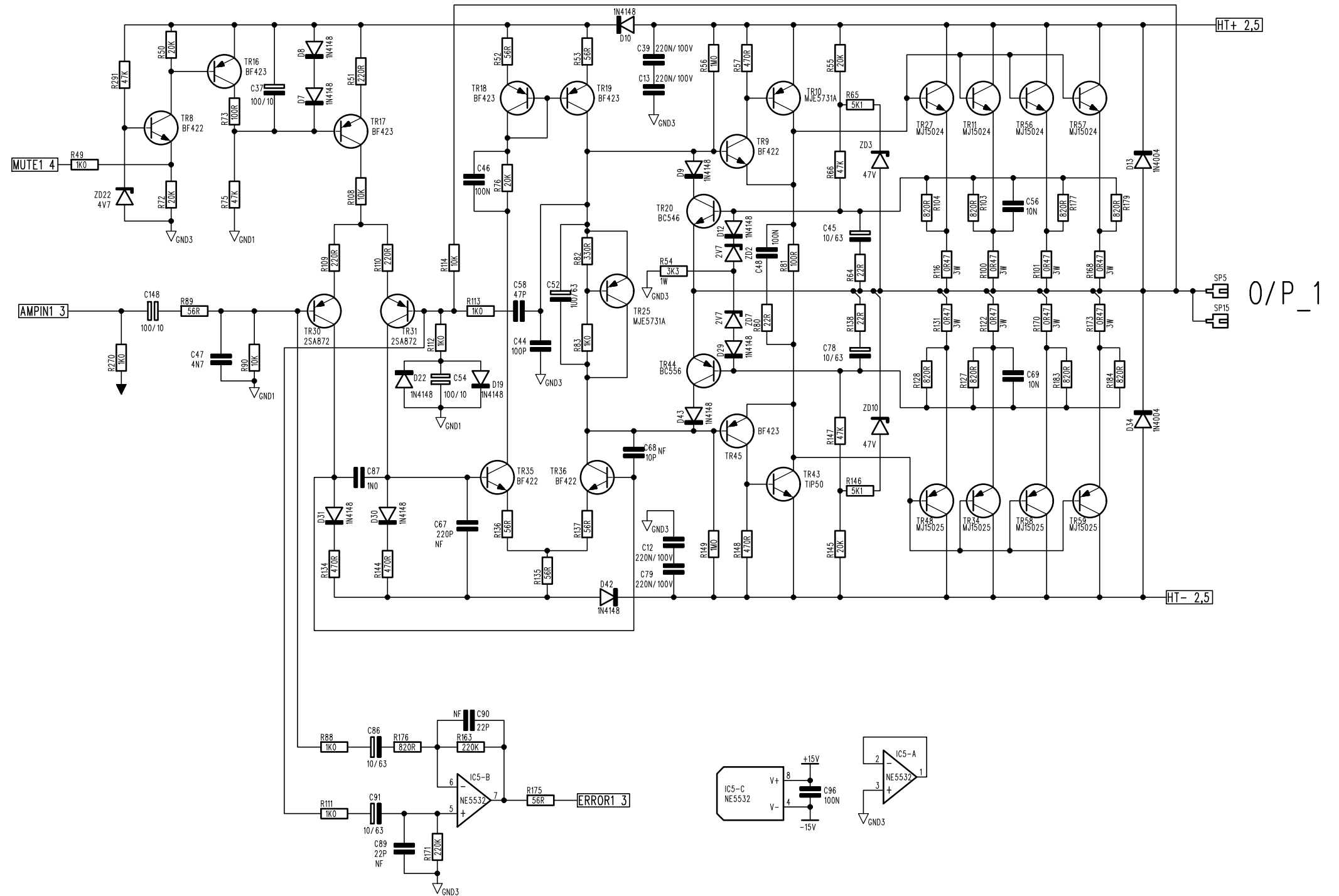
FINISH:

ISSUE COMMENTS:

- 1. PRE-PRODUCTION RELEASE 10-05-99
- 2. PRODUCTION RELEASE 22-06-99
- 2A. ECN203 02/09/99
- 2B. ECN0251 15/11/99
- 2C. ECN0275 11/01/00
- 3. ECN0334 05/05/00

PART NUMBER:

THESE DRAWINGS AND SPECIFICATIONS ARE THE PROPERTY OF CROWN AUDIO, INC., AND SHALL NOT BE REPRODUCED, COPIED, OR USED AS THE BASIS FOR THE MANUFACTURE OR SALE OF APPARATUS OR DEVICES WITHOUT PERMISSION.
© 2001 CROWN AUDIO, INC.



DRAWING NUMBER ISSUE

S-C650AS-03



Crown Audio, Inc.
P.O. Box 1000
Elkhart, IN 46515-1000
U.S.A.
Ph: 219-294-8000

H A Harman International Company

TITLE: PULSE 2x650 AMPLIFIER

SHEET 2

FILENAME:

DRAWN: BPV

DATE: 04/01/00

CHECKED:

MATERIAL:

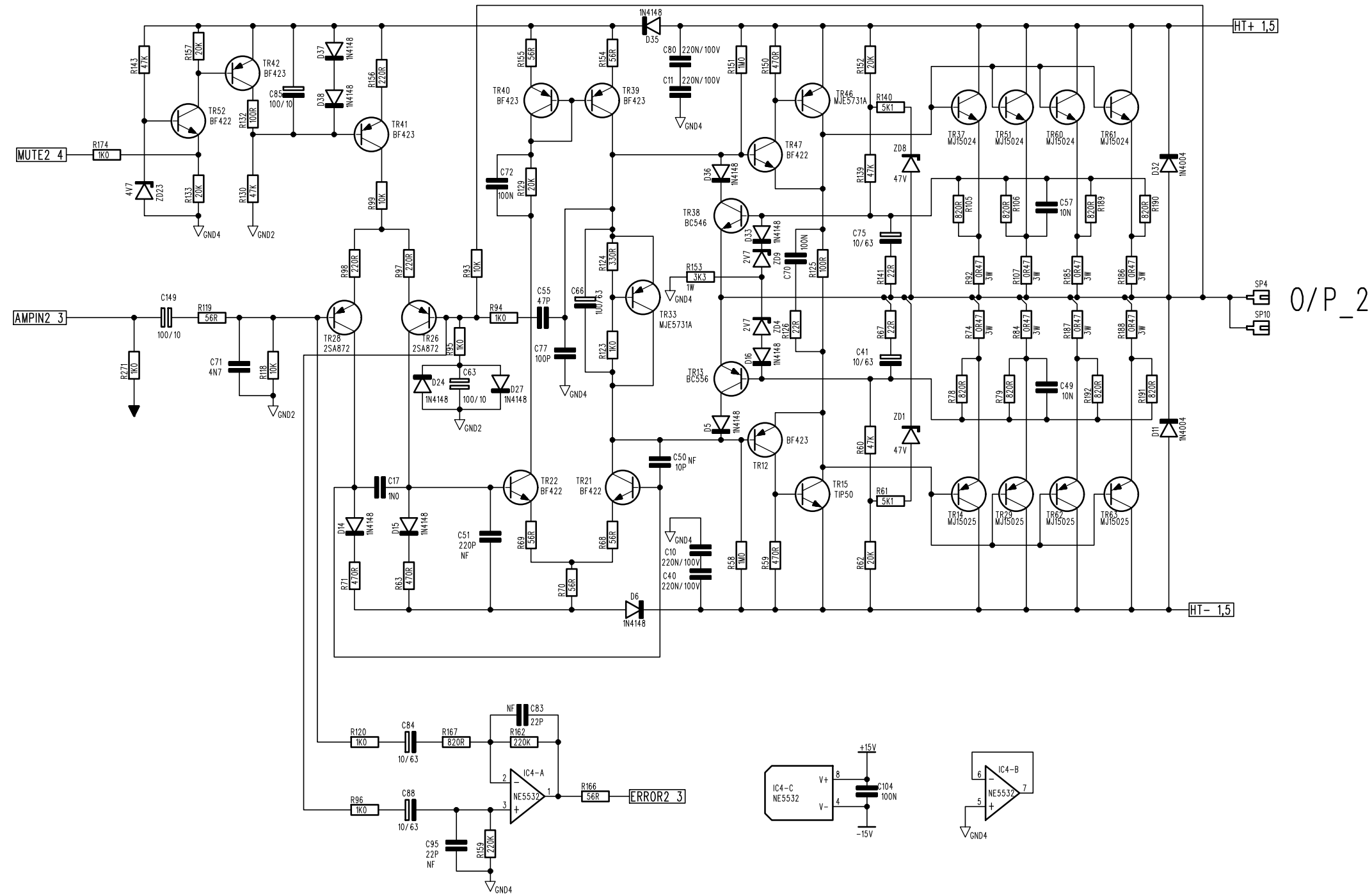
FINISH:

ISSUE COMMENTS:

- 1. PRE-PRODUCTION RELEASE 10-05-99
- 2. PRODUCTION RELEASE 22-06-99
- 2A. ECN203 02/09/99
- 2B. ECN0251 15/11/99
- 2C. ECN0275 11/01/00
- 3. ECN0334 05/05/00

PART NUMBER:

THESE DRAWINGS AND SPECIFICATIONS ARE THE PROPERTY OF CROWN AUDIO, INC., AND SHALL NOT BE REPRODUCED, COPIED, OR USED AS THE BASIS FOR THE MANUFACTURE OR SALE OF APPARATUS OR DEVICES WITHOUT PERMISSION.
© 2001 CROWN AUDIO, INC.



O/P_2

DRAWING NUMBER ISSUE

S-C650AS-03



Crown Audio, Inc.
P.O. Box 1000
Elkhart, IN 46515-1000
U.S.A.
Ph: 219-294-8000

A Harman International Company

TITLE: PULSE 2x650 AMPLIFIER

SHEET 3

FILENAME:

DRAWN: BPV

DATE: 04/01/00

CHECKED:

MATERIAL:

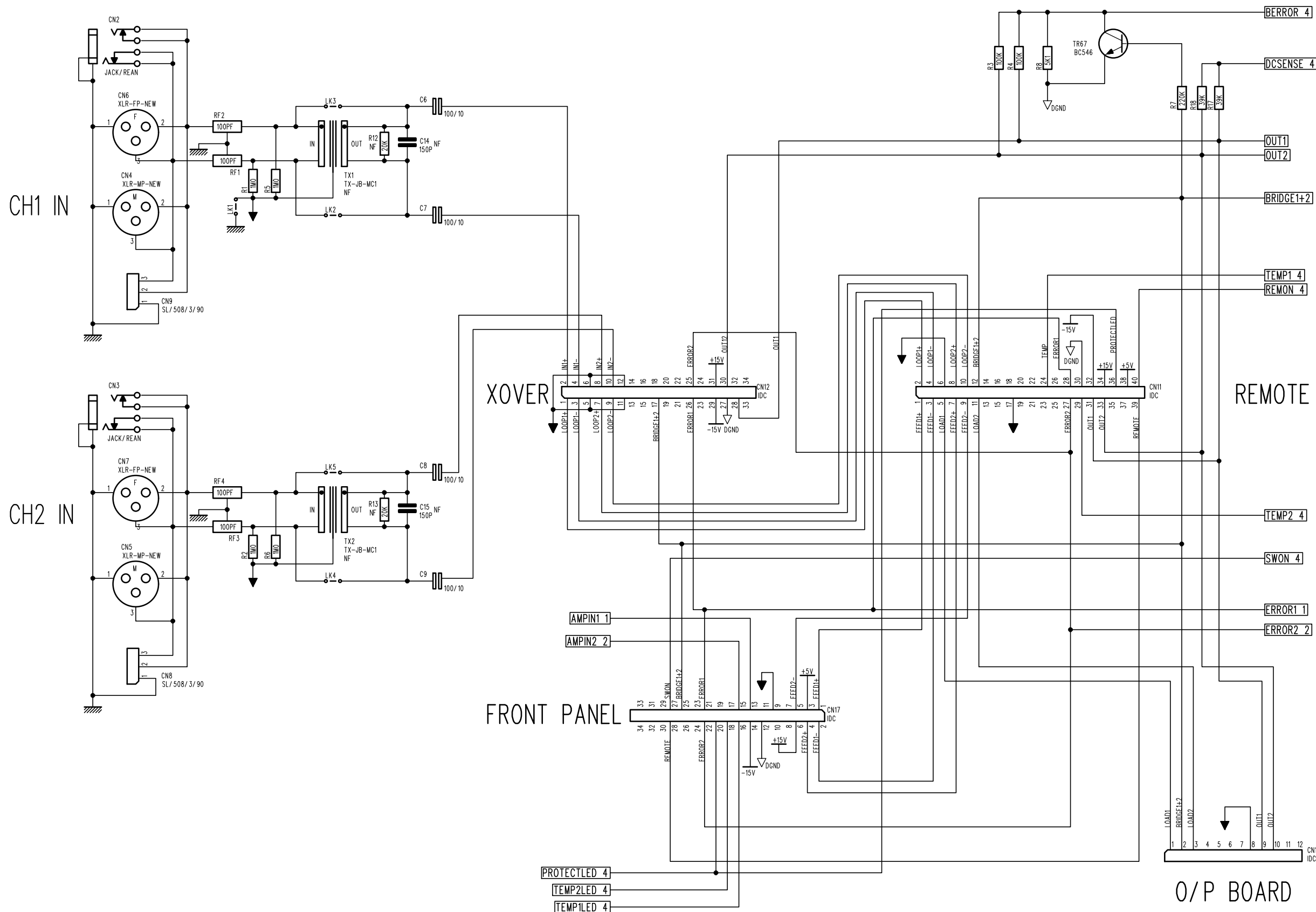
FINISH:

ISSUE COMMENTS:

- 1. PRE-PRODUCTION RELEASE 10-05-99
- 2. PRODUCTION RELEASE 22-06-99
- 2A. ECN203 02/09/99
- 2B. ECN0251 15/11/99
- 2C. ECN0275 11/01/00
- 3. ECN0334 05/05/00

PART NUMBER:

THESE DRAWINGS AND SPECIFICATIONS ARE THE PROPERTY OF CROWN AUDIO, INC., AND SHALL NOT BE REPRODUCED, COPIED, OR USED AS THE BASIS FOR THE MANUFACTURE OR SALE OF APPARATUS OR DEVICES WITHOUT PERMISSION.
© 2001 CROWN AUDIO, INC.



DRAWING NUMBER ISSUE

S-C650AS-03



Crown Audio, Inc.
P.O. Box 1000
Elkhart, IN 46515-1000
U.S.A.
Ph: 219-294-8000

A Harman International Company

TITLE: PULSE 2x650 AMPLIFIER

SHEET 5

FILENAME:

DRAWN: BPV

DATE: 04/01/00

CHECKED:

MATERIAL:

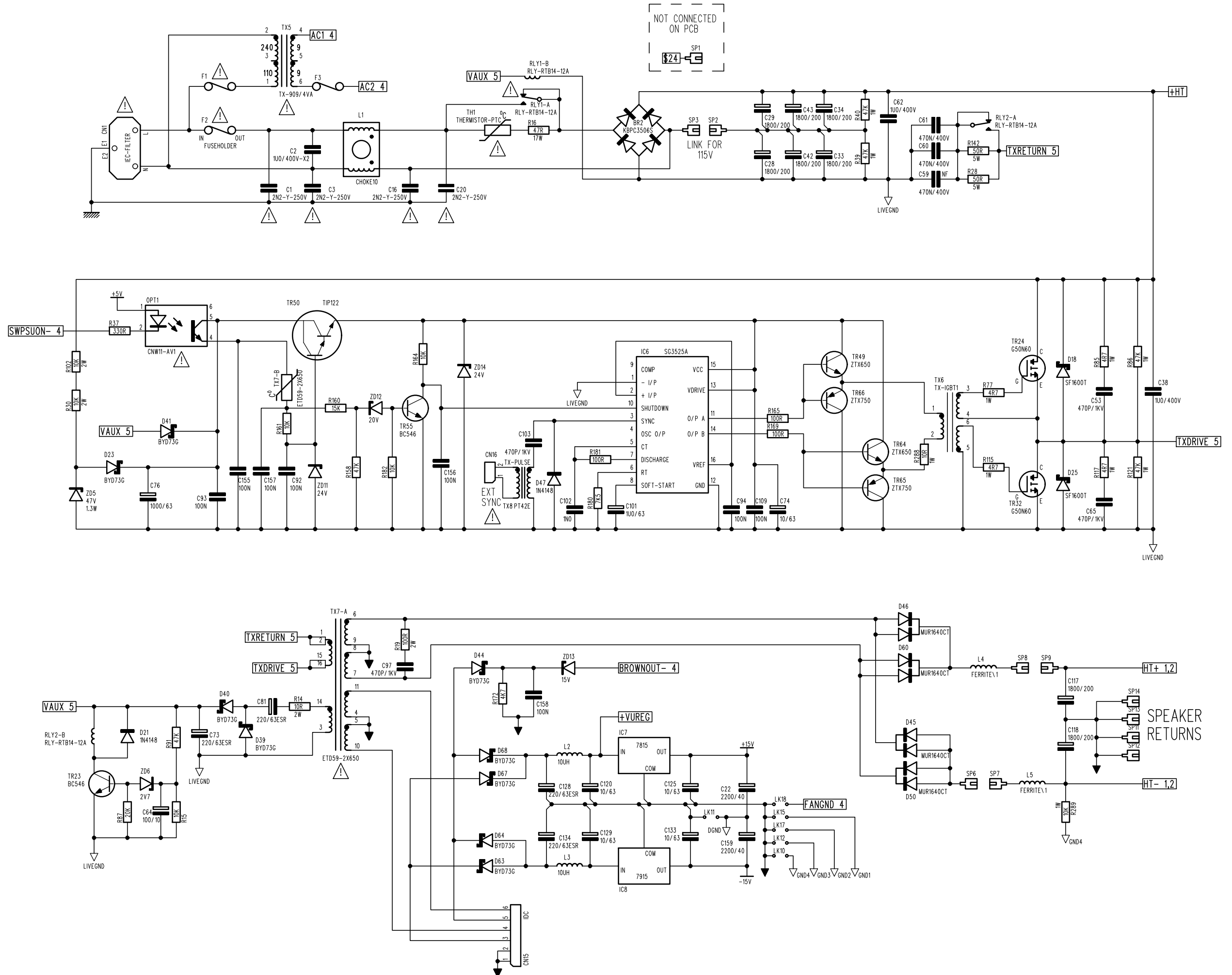
FINISH:

ISSUE COMMENTS:

- 1. PRE-PRODUCTION RELEASE 10-05-99
- 2. PRODUCTION RELEASE 22-06-99
- 2A. ECN203 02/09/99
- 2B. ECN0251 15/11/99
- 2C. ECN0275 11/01/00
- 3. ECN0334 05/05/00

PART NUMBER:

THESE DRAWINGS AND SPECIFICATIONS ARE THE PROPERTY OF CROWN AUDIO, INC., AND SHALL NOT BE REPRODUCED, COPIED, OR USED AS THE BASIS FOR THE MANUFACTURE OR SALE OF APPARATUS OR DEVICES WITHOUT PERMISSION.
© 2001 CROWN AUDIO, INC.



DRAWING NUMBER ISSUE

S-C650AS-03



Crown Audio, Inc.
P.O. Box 1000
Elkhart, IN 46515-1000
U.S.A.
Ph: 219-294-8000

A Harman International Company

TITLE: PULSE 2x650 AMPLIFIER

SHEET 4

FILENAME:

DRAWN: BPV

DATE: 04/01/00

CHECKED:

MATERIAL:

FINISH:

ISSUE COMMENTS:

1. PRE-PRODUCTION RELEASE 10-05-99
2. PRODUCTION RELEASE 22-06-99
- 2A. ECN203 02/09/99
- 2B. ECN0251 15/11/99
- 2C. ECN0275 11/01/00
3. ECN0334 05/05/00

PART NUMBER:

THESE DRAWINGS AND SPECIFICATIONS ARE THE PROPERTY OF CROWN AUDIO, INC., AND SHALL NOT BE REPRODUCED, COPIED, OR USED AS THE BASIS FOR THE MANUFACTURE OR SALE OF APPARATUS OR DEVICES WITHOUT PERMISSION.
© 2001 CROWN AUDIO, INC.

